

H3L

TABLE OF CONTENTS

01	Important Safety Instructions	01	Tools Needed
----	-------------------------------	----	--------------

02	Parts List	04	Assembly
----	------------	----	----------

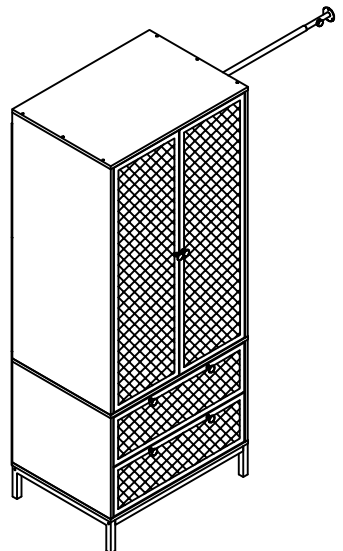
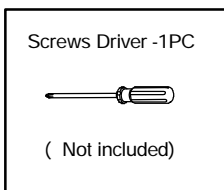
21	Warranty Information		
----	----------------------	--	--

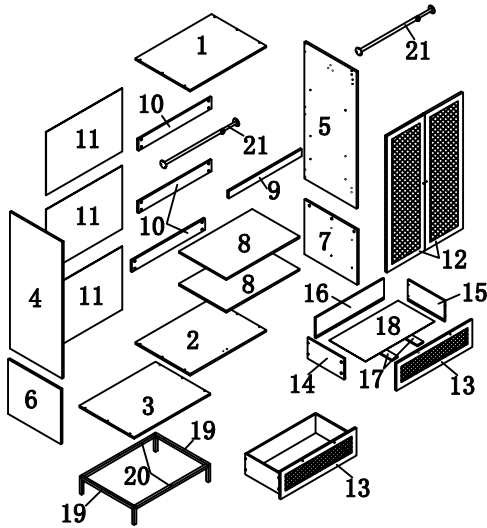
Thank you so much for choosing our product. If you encounter any questions during use, feel free to contact us. We will try our best to solve it.
Customer Service Line: +1-888-292-2399
Customer Service Email: service7770@outlook.com

IMPORTANT SAFETY INSTRUCTIONS

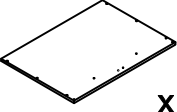
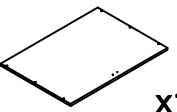
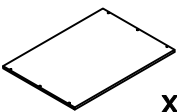
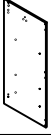


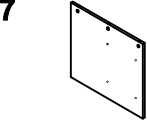
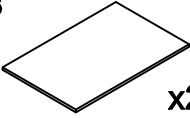
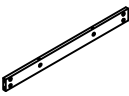
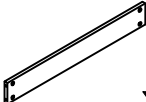
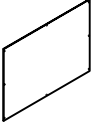

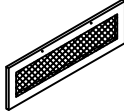
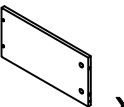
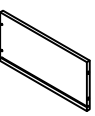


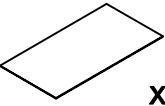
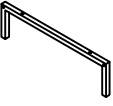
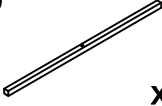
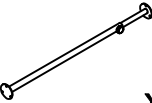
- Check if all the parts are complete before installation.
- Read through the instructions before installing the cabinet.
- Keep the small parts away from children to avoid the risk of swallowing.
- Screw the cabinet to the wall to avoid the risk of falling down.



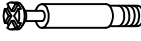



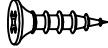

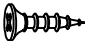



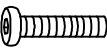
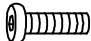
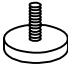
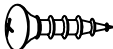



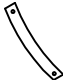

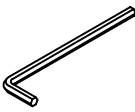

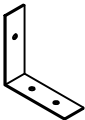
TOOLS NEEDED



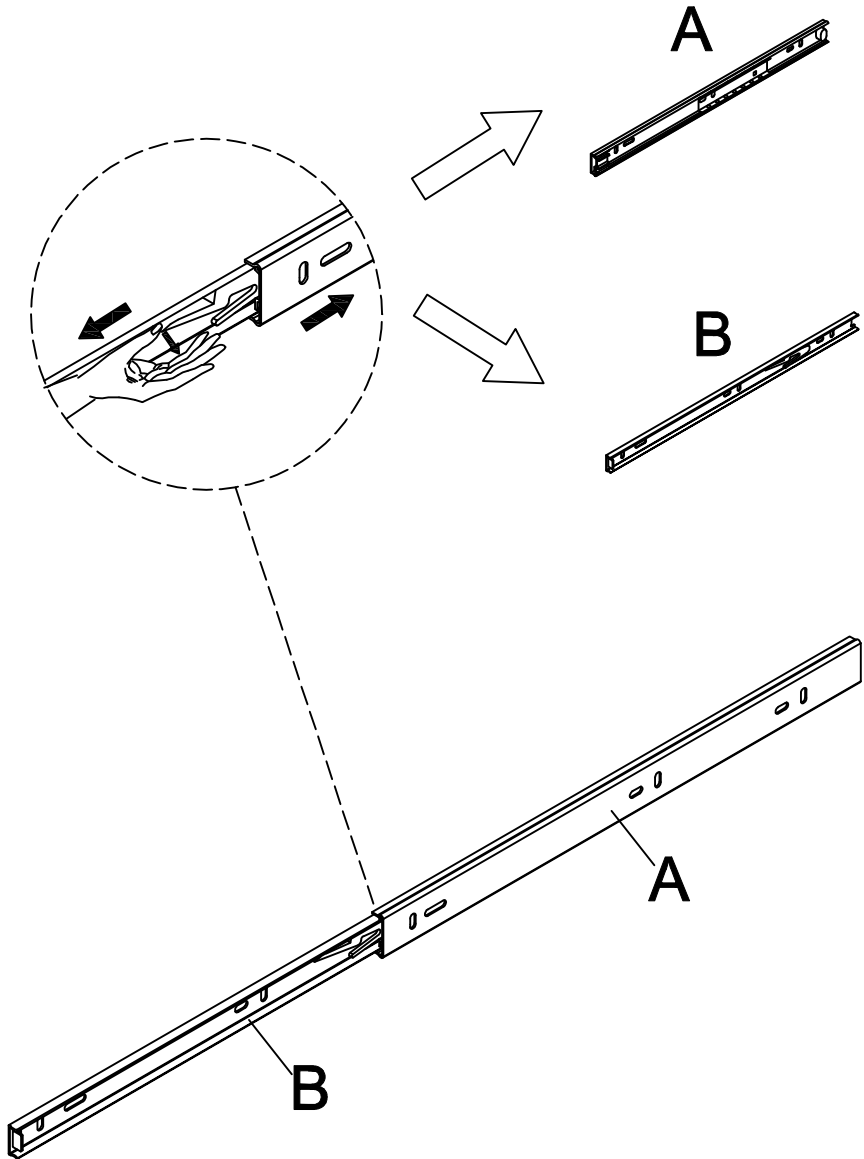


Packing List

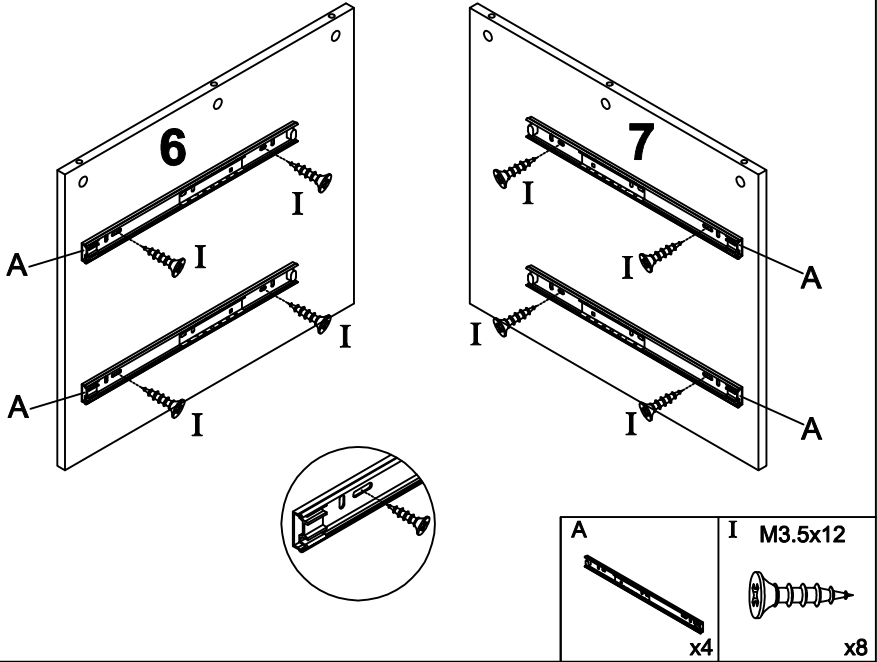
1  x1	2  x1	3  x1	4  x1
5  x1	6  x1	7  x1	8  x2
9  x1	10  x3	11  x3	12  x2
13  x2	14  x2	15  x2	16  x2
17  x4	18  x2	19  x2	20  x2
21  x2			

<p>A</p>  <p>x4</p>	<p>B</p>  <p>x4</p>	<p>C</p>  <p>x40</p>	<p>D</p>  <p>x40</p>
<p>E</p>  <p>x12</p>	<p>F</p>  <p>x2</p>	<p>G M3x14</p>  <p>x4</p>	<p>H M7x50</p>  <p>x18</p>
<p>I M3.5x12</p>  <p>x64</p>	<p>J M3.5x40</p>  <p>x16</p>	<p>K</p>  <p>x6</p>	<p>L M4x20</p>  <p>x6</p>
<p>M M6x45</p>  <p>x4</p>	<p>N M6x35</p>  <p>x6</p>	<p>O</p>  <p>x4</p>	<p>P M3.5x14</p>  <p>x19</p>
<p>Q</p>  <p>x4</p>	<p>R</p>  <p>x4</p>	<p>S M3.5x35</p>  <p>x7</p>	<p>T</p>  <p>x2</p>
<p>U</p>  <p>x7</p>	<p>V</p>  <p>x1</p>	<p>W</p>  <p>x4</p>	<p>X</p>  <p>x2</p>

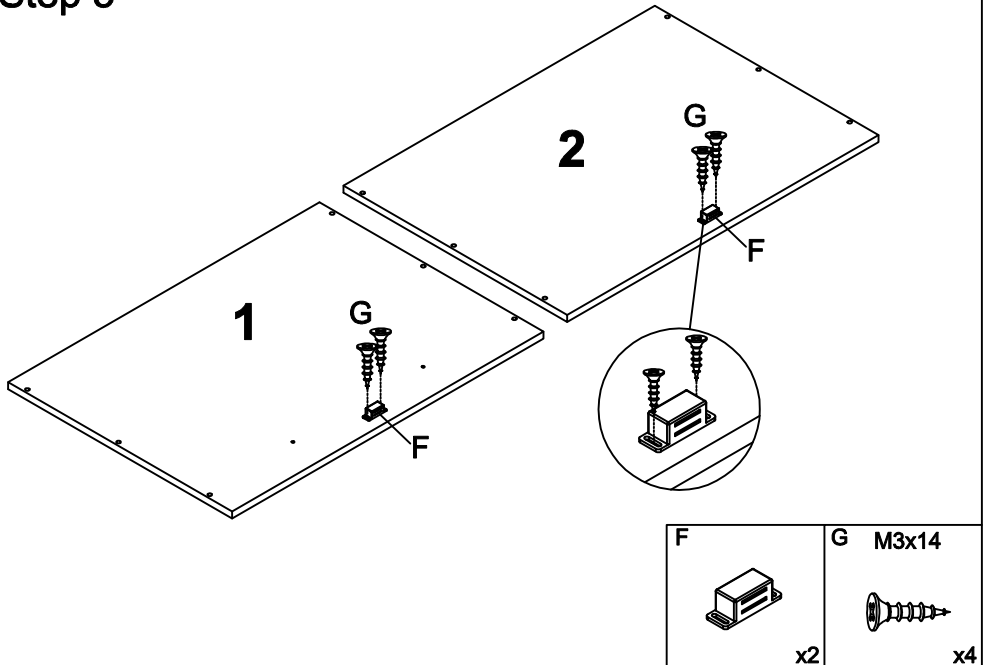
Step 1



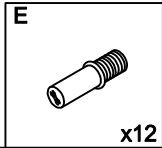
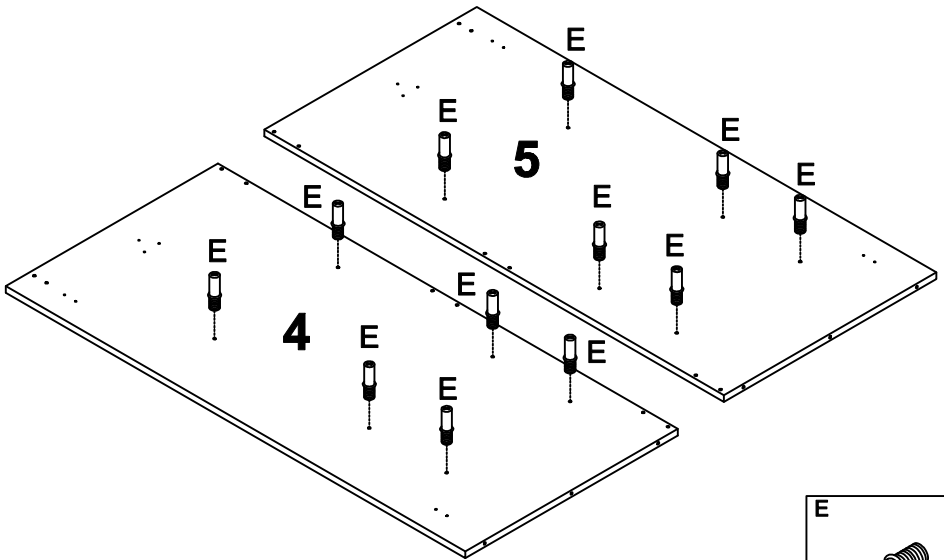
Step 2



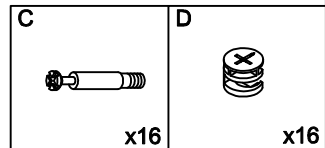
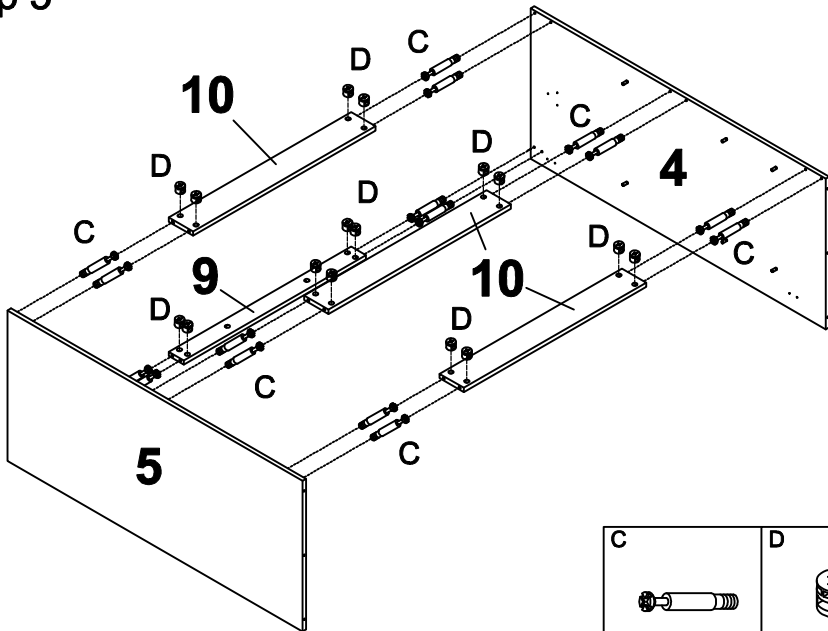
Step 3



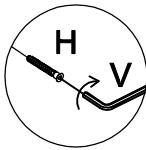
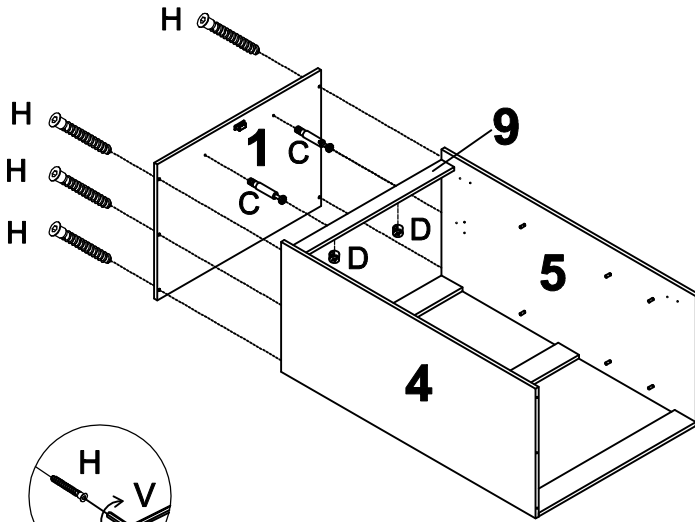
Step 4

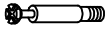




Step 5

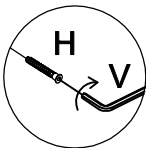
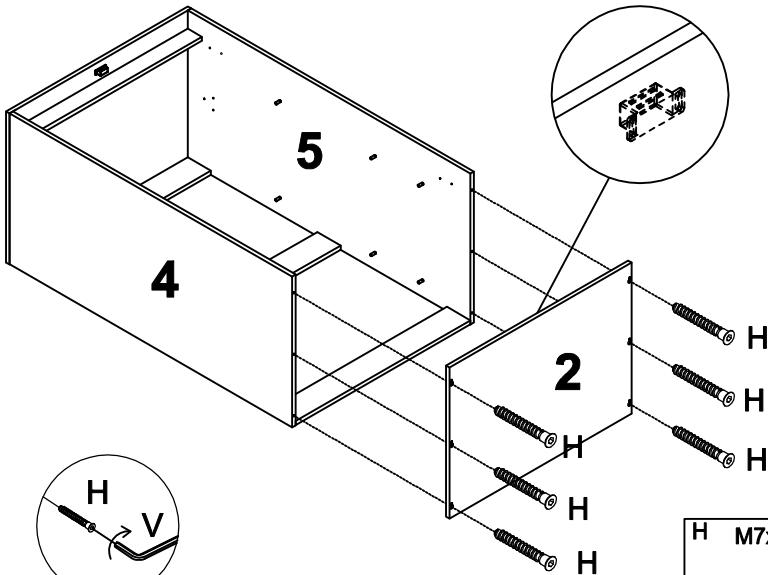



Step 6



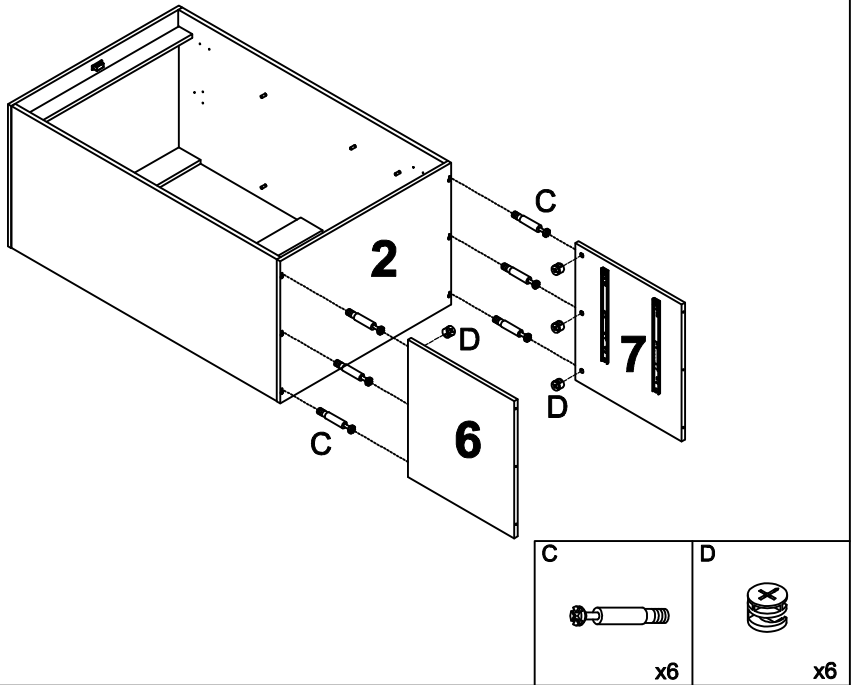
C  x2	D  x2	H M7x50  x6
--	--	---

Step 7

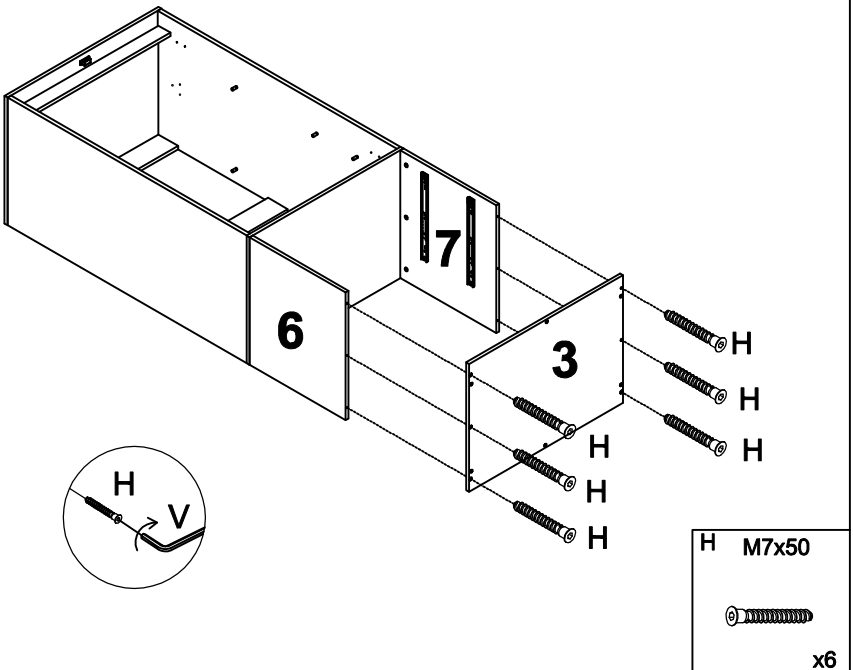


H M7x50  x6

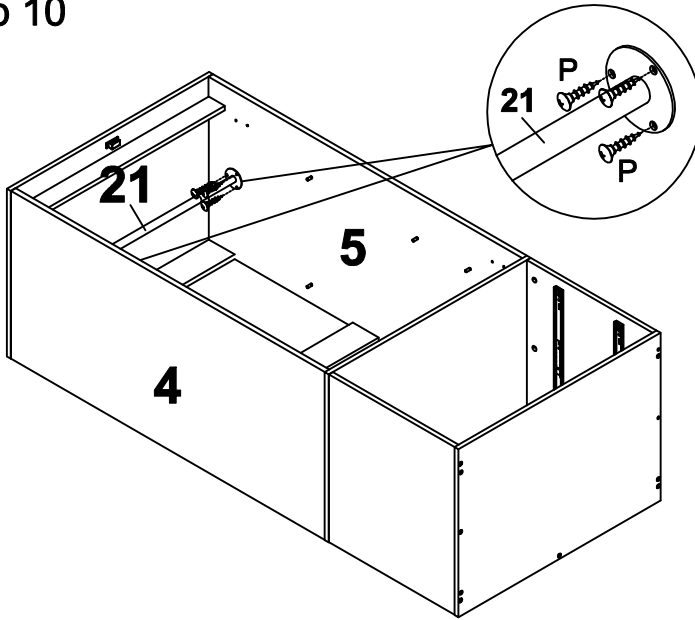
Step 8



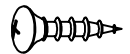
Step 9



Step 10

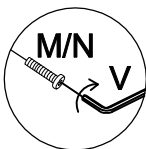
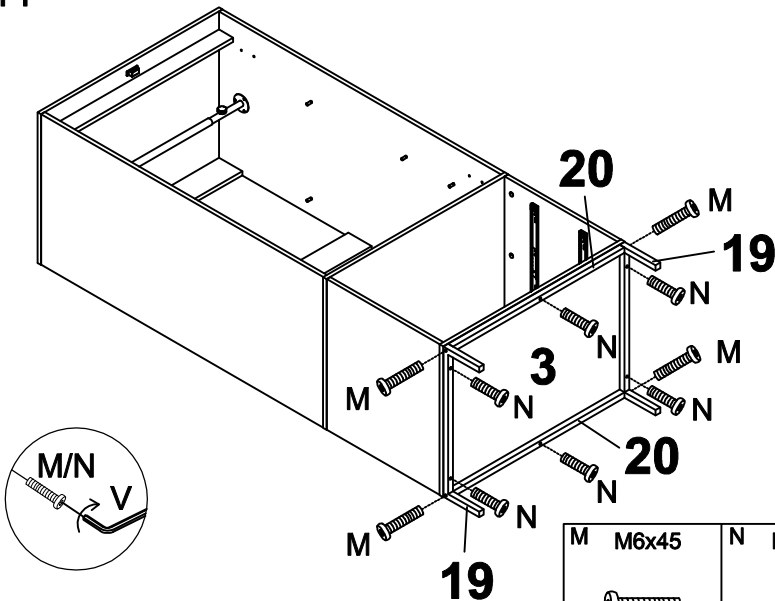


P M3.5x14



x6

Step 11



M M6x45



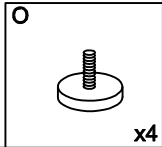
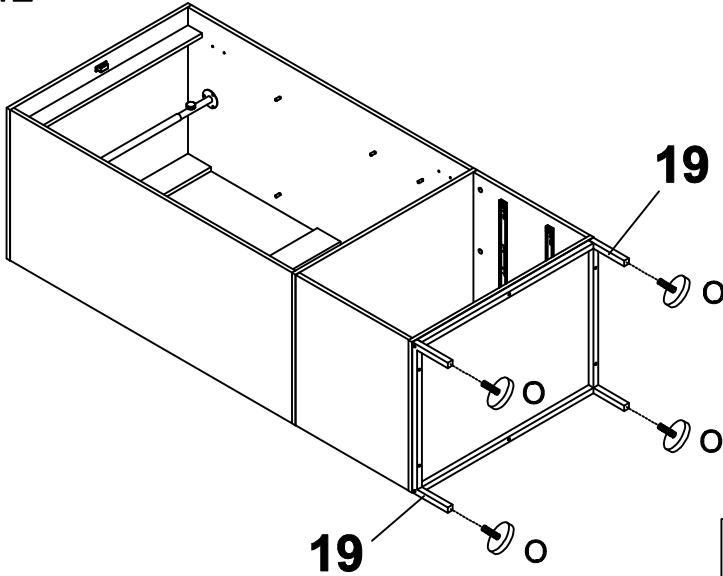
x4

N M6x35

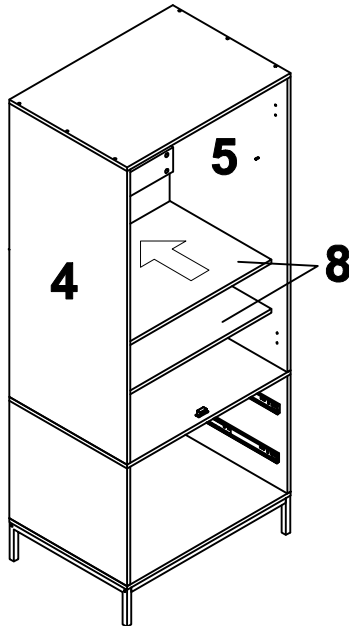


x6

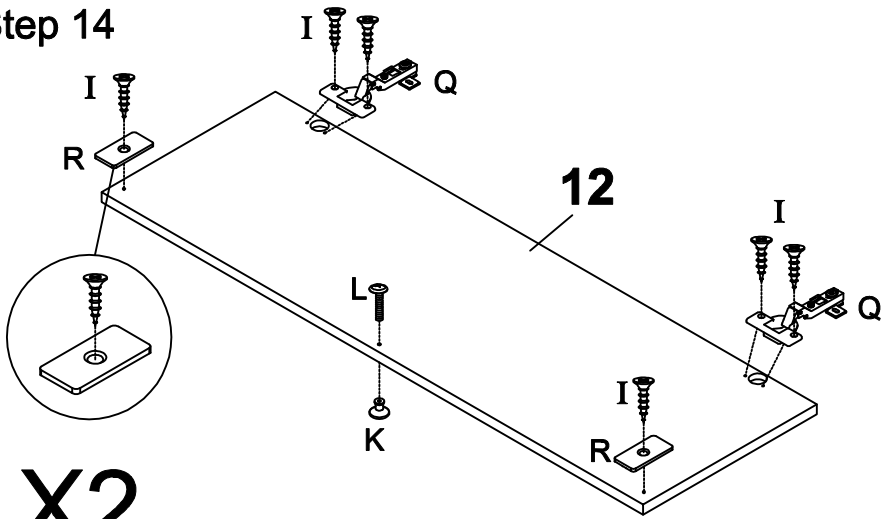
Step 12



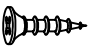

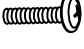


Step 13



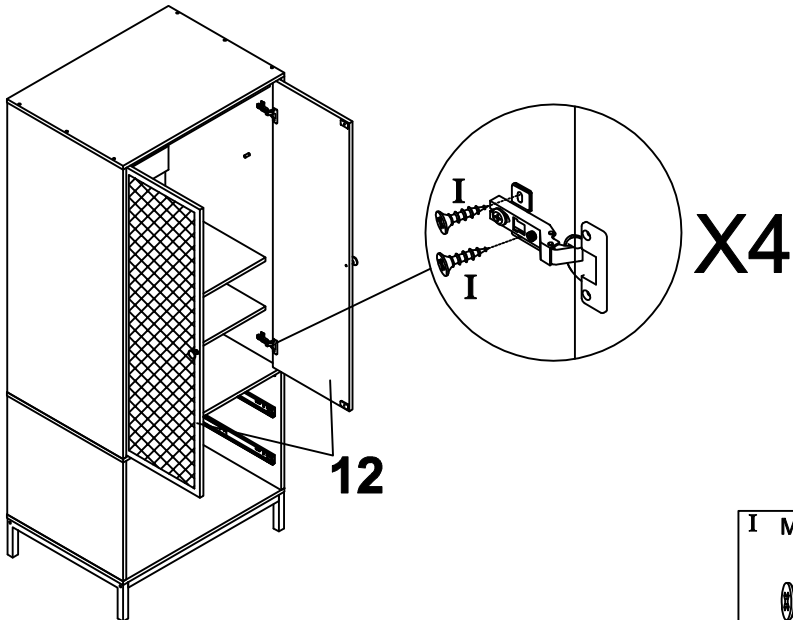
Step 14

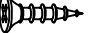


X2

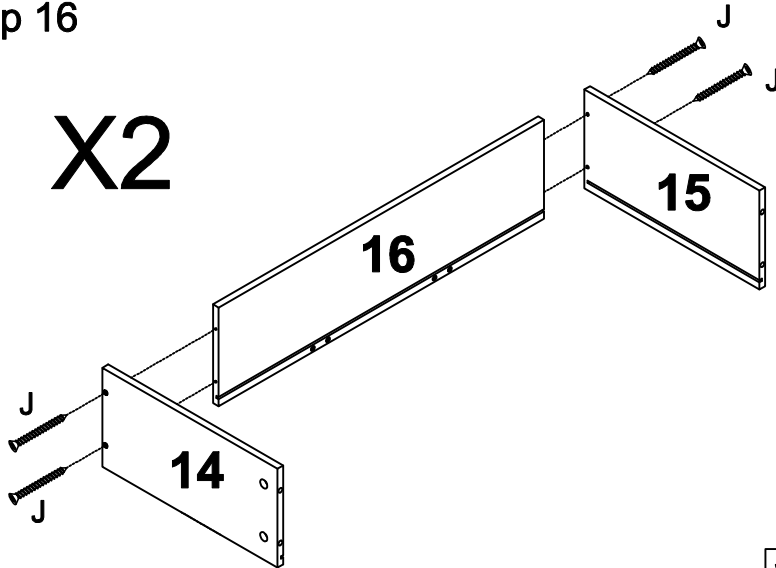
I M3.5x12  x12	K  x2	L M4x20  x2	Q  x4	R  x4
--	---	---	---	--

Step 15



I M3.5x12  x8
--

Step 16

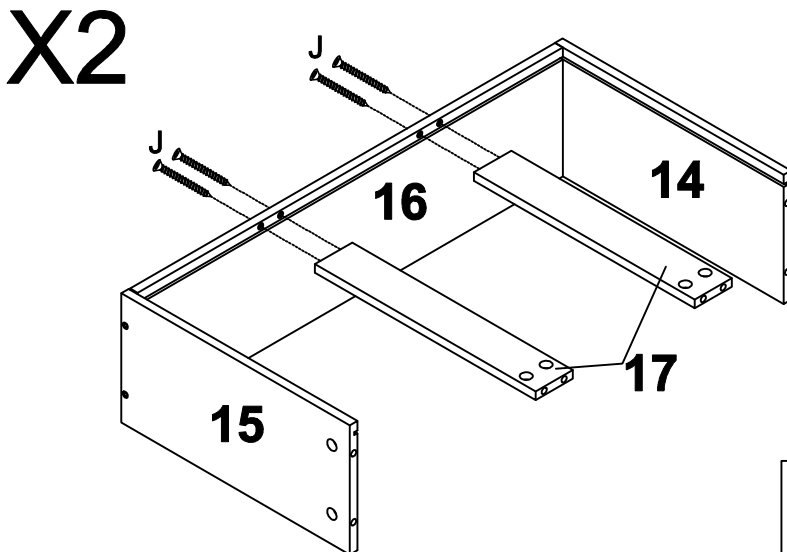


J M3.5x40



x8

Step 17



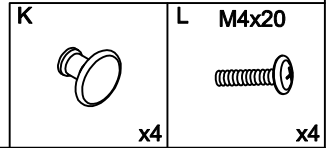
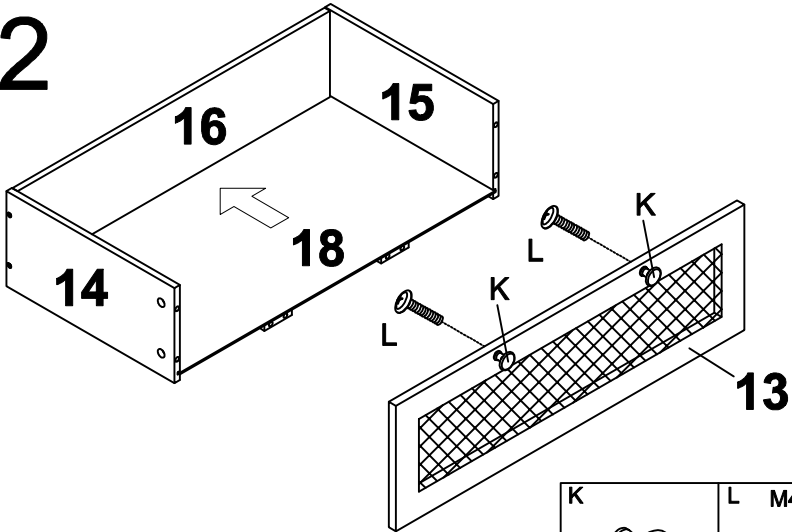
J M3.5x40



x8

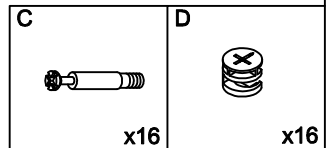
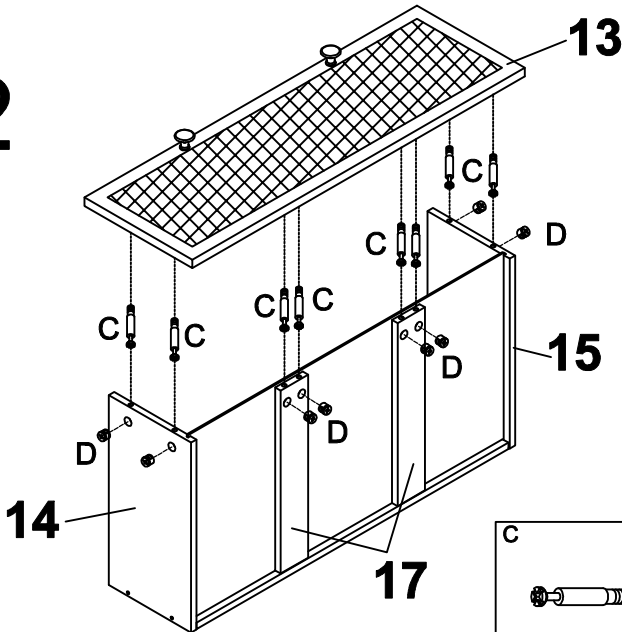
Step 18

X2

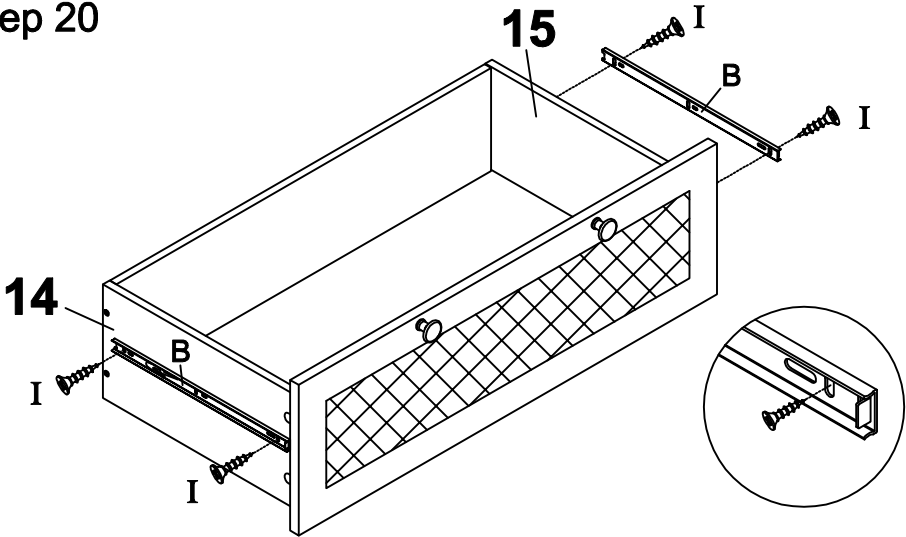


Step 19

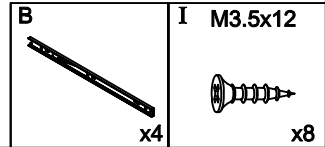
X2



Step 20

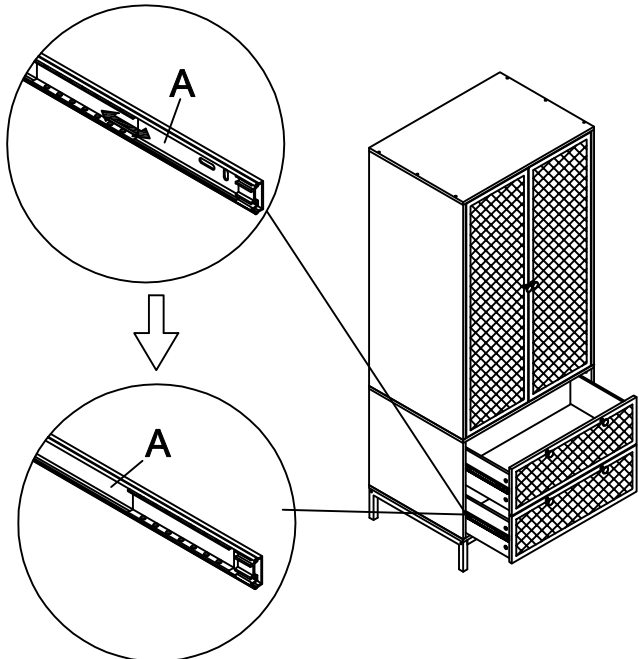


X2

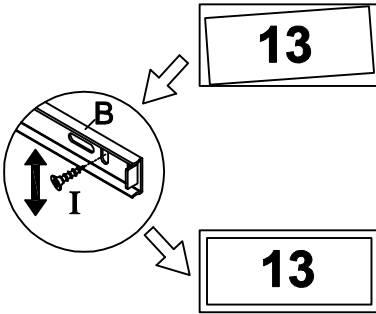


Step 21

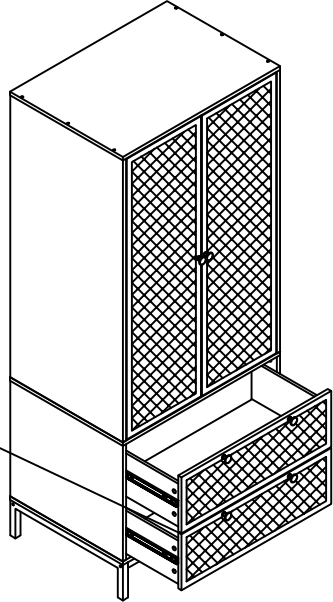
Please move the rail balls to the front of sliding rail A to make sure it can be fit to sliding rail B on the drawer.



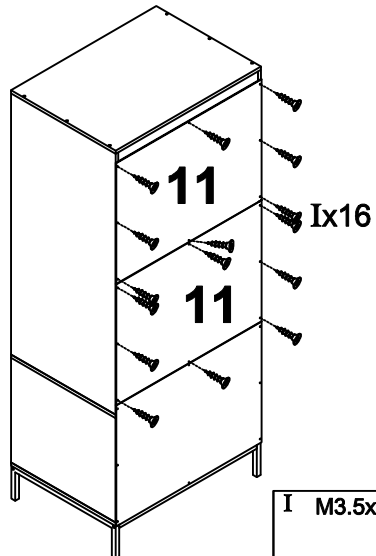
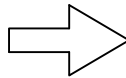
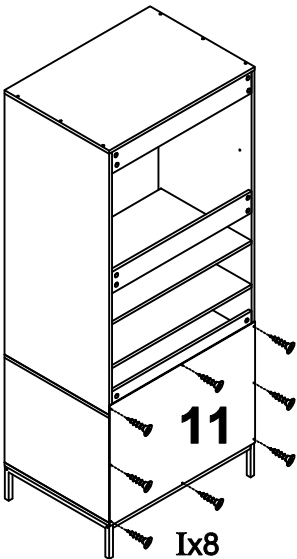
Step 22



You can adjust the sliding rail's hole to make sure the drawer is on level when assemble I screws.



Step 23



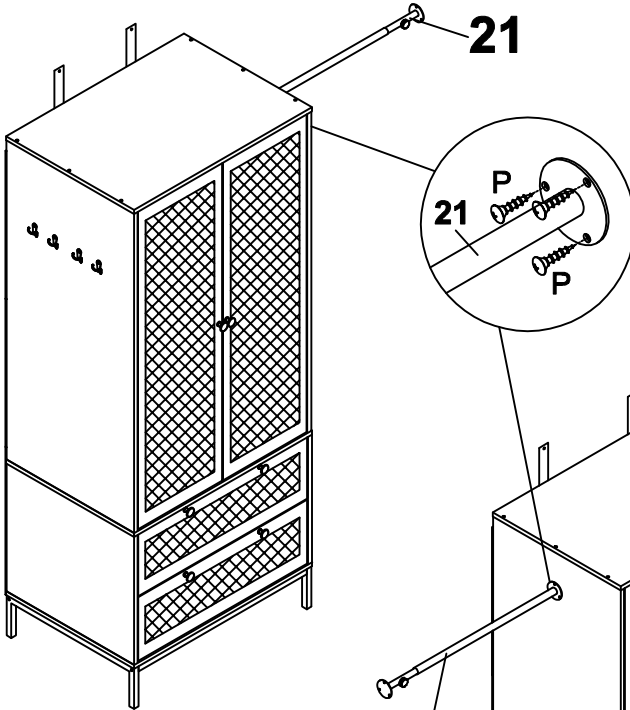
I M3.5x12



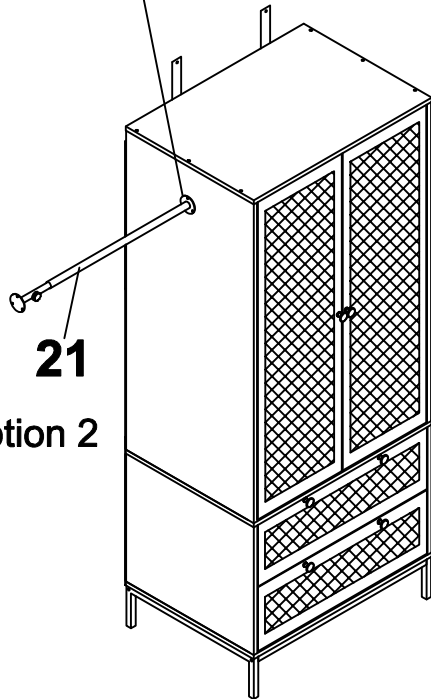
x24

Step 26

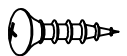
Option 1



Option 2

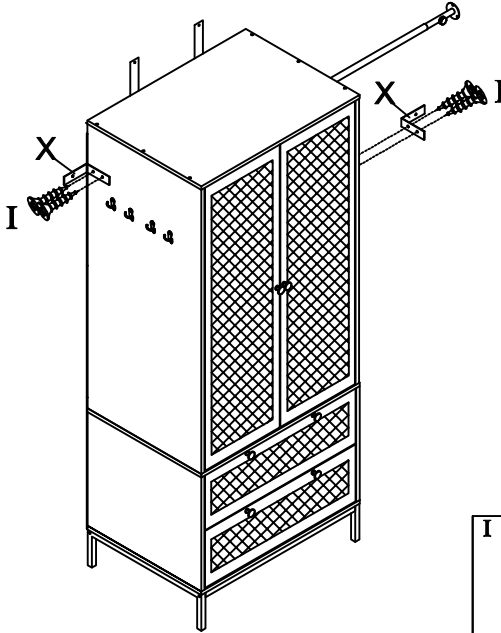


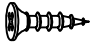
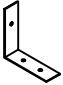
P M3.5x14



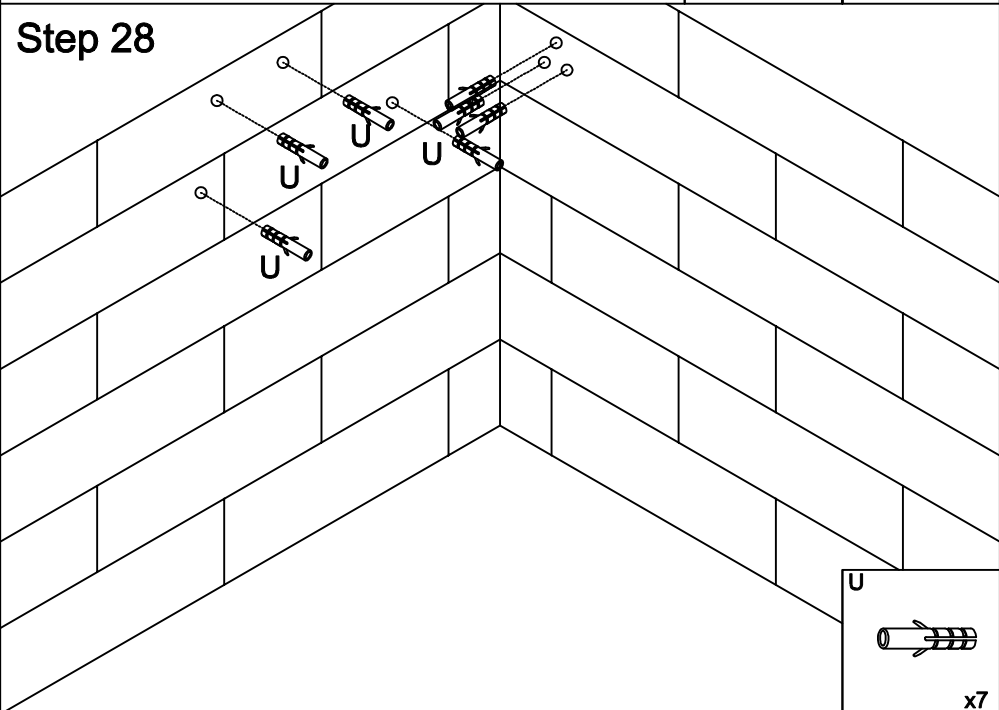
x3

Step 27

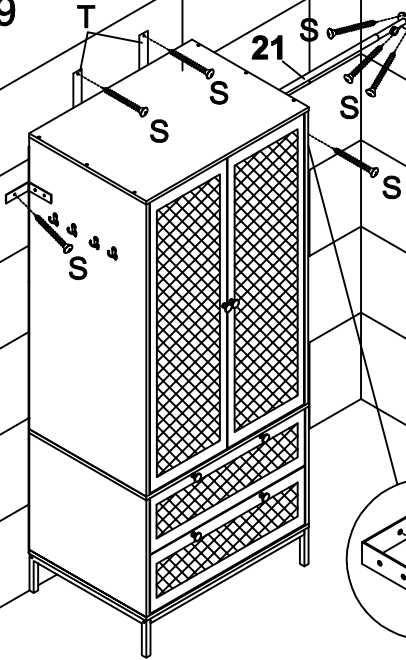


I M3.5x12  x4	X  x2
--	---

Step 28



Step 29

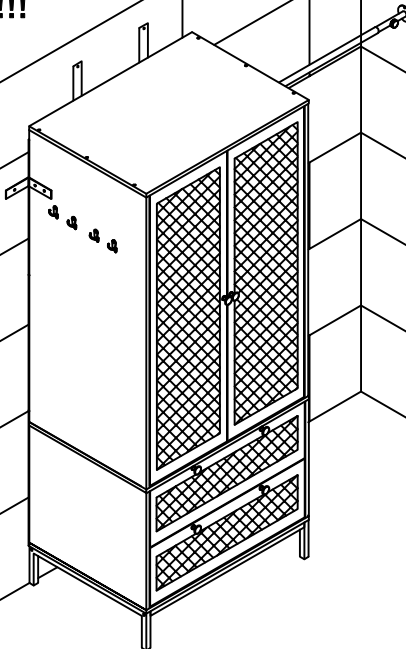


S M3.5x35



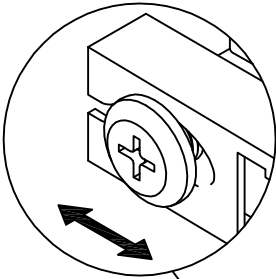
x7

Finish !!!

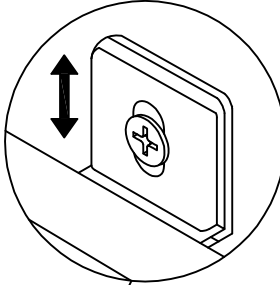


Hinge Installation Diagram

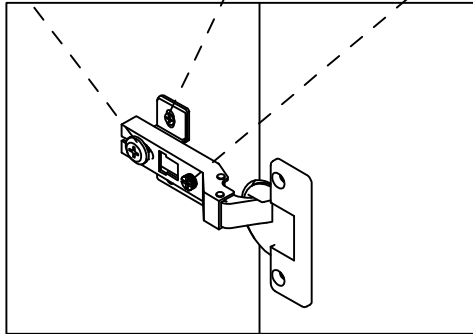
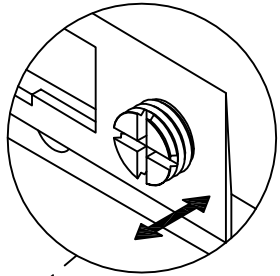
Left and Right



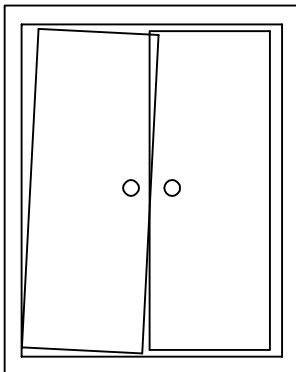
Up and Down



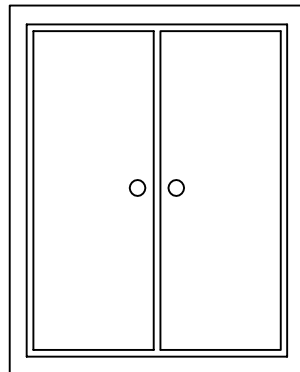
Back and Forth



Before



After



WARRANTY INFORMATION

- Do not expose the surfaces to direct sunlight or to extreme environmental conditions.
- Clean the surfaces preferable with a clean damp cloth, then dry with a clean towel.
- Do not use solvents or abrasive materials to clean the unit. If you decide to use a cleaning agent, test first on an area hidden from view.
- Replacement parts might be available to you at no charge, with an original proof of purchase and where a defect has arisen, wholly or substantially, as a result of faulty manufacturing, parts or workmanship during the Warranty Period.
- The warranty does not extend to regular wear and tear, nor the manufacturer assumes liability for damages or consequences due to accidents, incorrect assembly, negligence, improper use, modifications, or not heeding the above warnings.
- Thank you so much for your support! We hope you enjoy your purchase. If there is any damage or missing accessories, please feel free to contact us for free replacement or refund. You can quickly find us through
Customer Service Line: **+1-888-292-2399** .
Customer Service Email: **service7770@outlook.com** .
with your order number, we will try our best to solve this problem for you

Thank you !

