

Weight Limitation

100 LBS

Thank You For Choosing Our Furniture

▀ If you have any questions or concerns, don't hesitate to reach out to us. ▴

Call us: +1(833)324-2464
Email: hello@hulalahome.com

NOTE:

This brochure contains IMPORTANT safety info. Please read and keep it for future reference.

MAINTAINANCE AND WARNINGS



Before You

Please follow the steps below:

- ⚠ Check the packaging for any damage, deformation, or water stains. If there is significant damage, please contact us promptly.
- ⚠ Open the packaging and confirm that the panels, hardware, screws, etc are complete.
- ⚠ Please read the installation instructions carefully to understand the installation steps and precautions to ensure proper installation.
- ⚠ Clean the installation area in advance and ensure the ground is level and there is enough space to avoid damaging the furniture or making installation difficult.
- ⚠ Lay a protective mat on the ground to prevent scratching the floor during installation.

After-Sales Service

- If you encounter any issues or need technical support during use, please contact our after-sales team. We offer long-term maintenance and warranty services.



Precautions

- ⚠ This product for indoor use only. Do not expose it to outdoor elements or high-humidity environments.
- ⚠ Keep the product away from high heat or open flames to prevent fire hazards.
- ⚠ Do not allow children to climb on the product to prevent personal injury caused by tipping



Safety Warnings

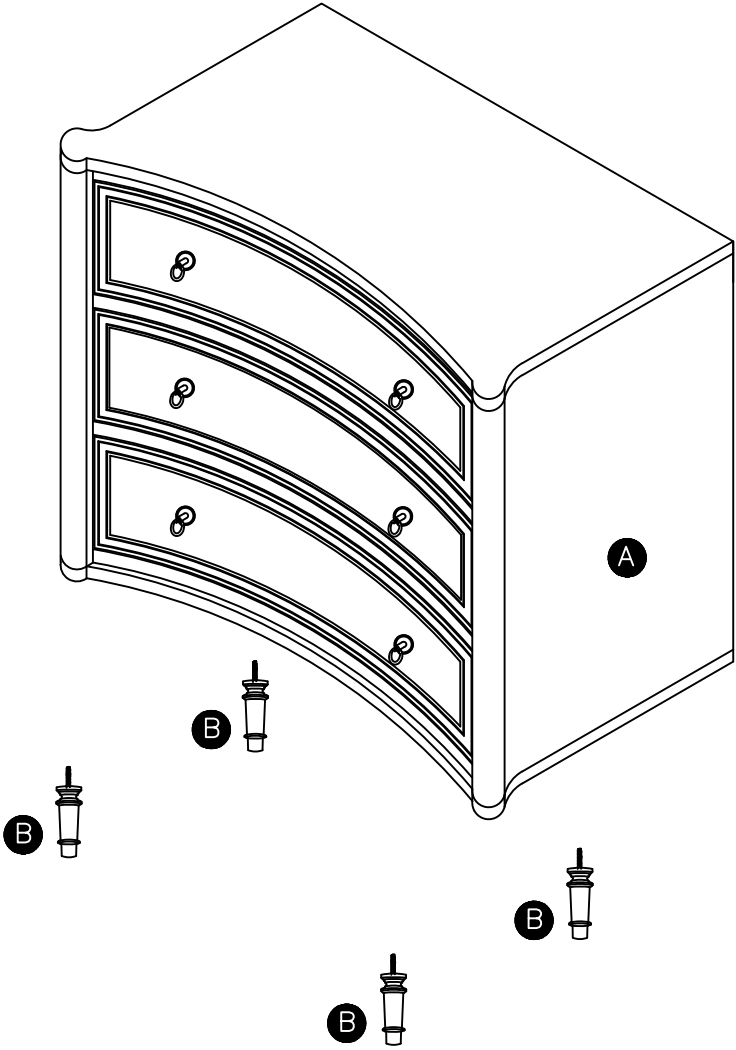
- ⚠ If you notice any loose or damaged parts, stop using the product immediately and contact customer service.
- ⚠ Do not attempt to disassemble or replace any components yourself, as this may affect the stability and safety of the product.

Daily Maintenance

- Regularly clean the surface of the sofa with a soft cloth to prevent dust accumulation.
- Do not use cleaning agents containing acids, alkalis, or corrosive substances, as they may damage the surface. It is recommended to use neutral cleaning agents or specialized furniture cleaners
- Avoid exposing furniture to humid environments for extended periods to prevent swelling or deformation of the boards. Use a dehumidifier or desiccant during humid weather.
- Avoid direct contact of furniture with water. If water is accidentally spilled, wipe it dry immediately.
- Avoid placing excessively heavy objects on the furniture: ensure the weight is within a reasonable load-bearing range.

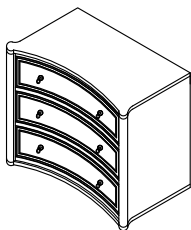
Avoid using sharp or rough items on the furniture surface to prevent scratches, Handle items gently when moving them

Explosive view



Parts list

A



x1

B



x4



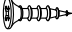
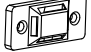

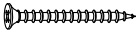
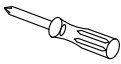


Installation:
15minutes



One Person

Hardware List

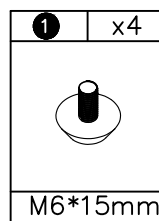
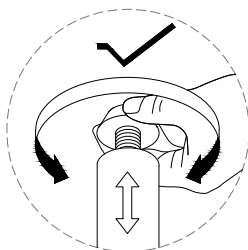
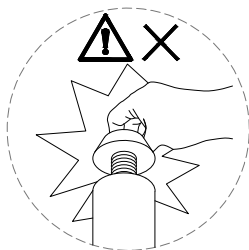
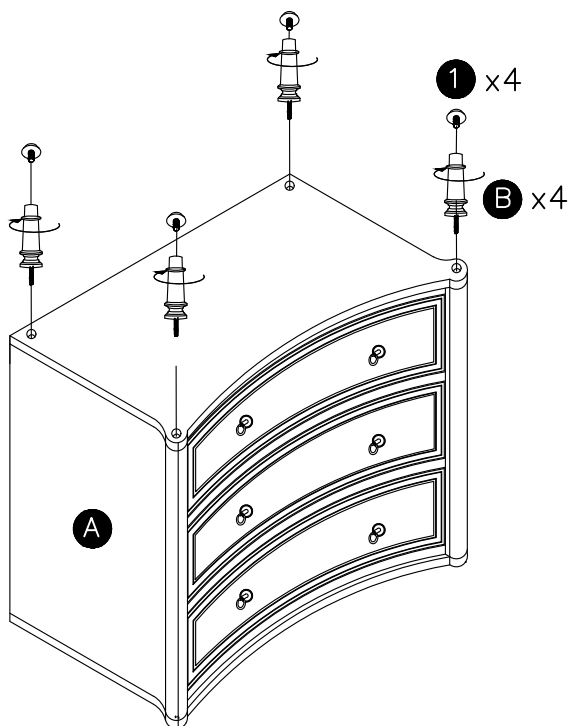
<p>1</p>  <p>x4</p> <p>M6*15mm</p>	<p>2</p>  <p>x1</p>	<p>3</p>  <p>x2+1</p> <p>M3.5*14mm</p>
<p>4</p>  <p>x2</p>	<p>5</p>  <p>x2</p> <p>ø8*30mm</p>	<p>6</p>  <p>x2+1</p> <p>M4*35mm</p>
<p>7</p>  <p>x1</p>		

Step 1

1. Install the legs. Align the hole in the part B to the hole in part A

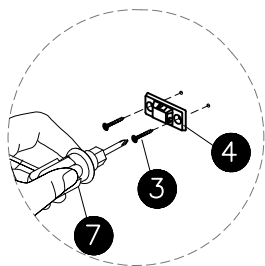
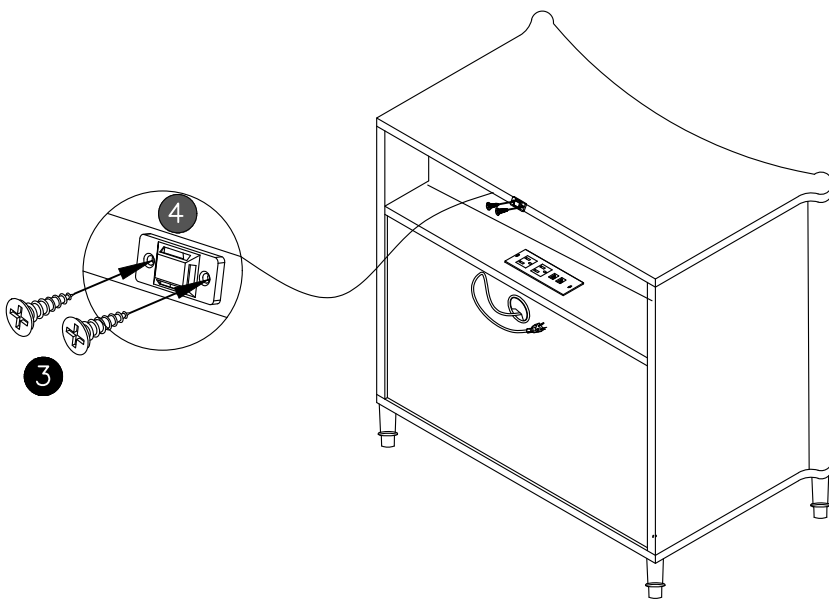
Turn all the legs outward.

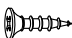
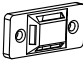

2. Install the adjuster foot 1 on the part B.



Step 2

Attach part #4 to part A with bolt #3 and tighten the bolt with screwdriver #7

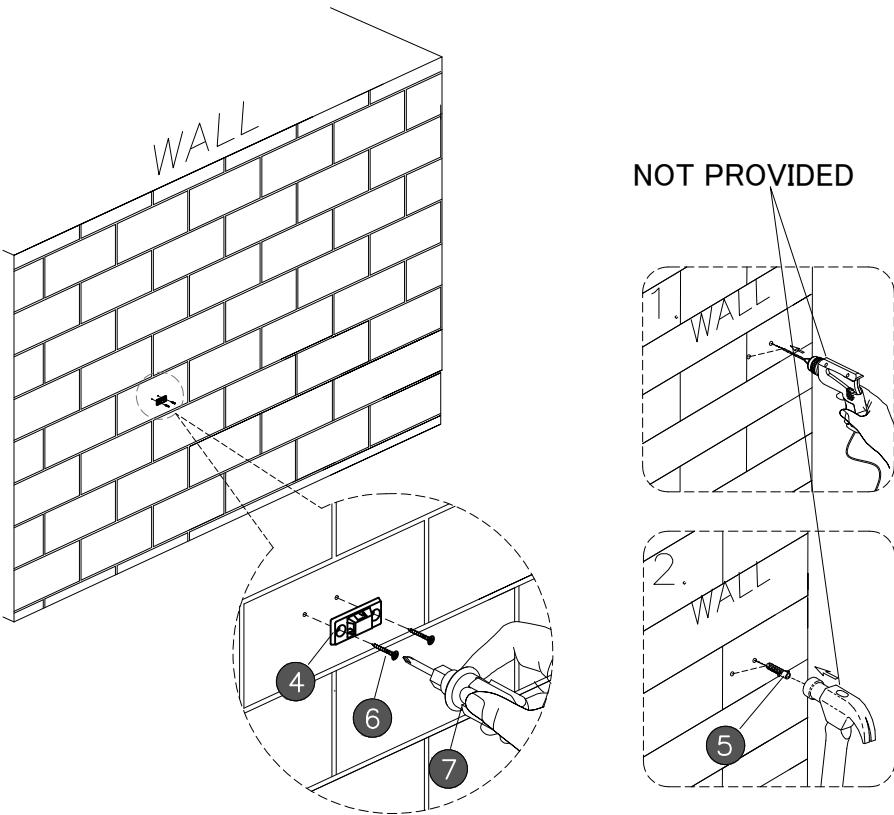


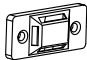

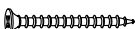
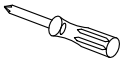
3	x2	4	x1	7	x1
					
M3.5*14mm					

Step 3

Install the anti-collapse device.

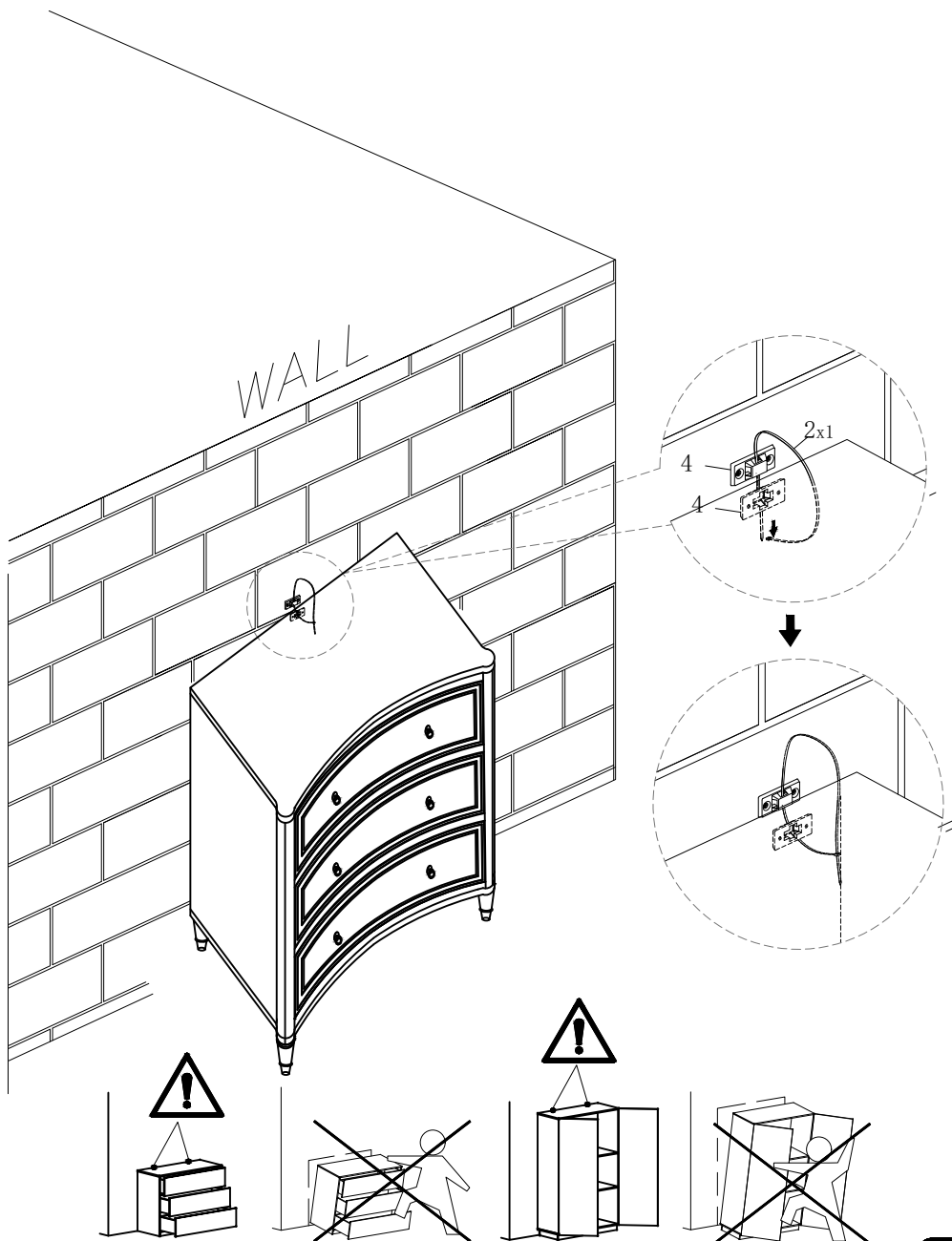
1..Mark the position on the wall that corresponds to the location of part #4 on the of panel A ; 2. Drill and insert theexpandable screw #5 by hammer. 3..Assemble the part #4 to the wall. Align the hole in the part #4 with theexpandable screw #6, use screw #6 to attach it and tighten by screwdriver#7



4	x1	5	x2	6	x2	7	x1
							
		ø8*30mm		M4*35mm			

Step 4

Let the plastic belt 2 pass through the both part 4 and pull tightly.



WARRANTY

- We strive to offer quality products, and we also try our best to satisfy every customer who orders from us with products or services as needed.
- We provide 30 days warranty starting from the time you receive the item.
Each customer must provide a record of their orders such as the order number, or item receipt for any items that are out of the warranty period you may also still receive.
- Replacement parts by purchasing them from our company if they are available.
- For return, please check the return policy with the retailer or market place you bought from

Appreciate your purchasing from us.
Pop up your life by our furniture piece!