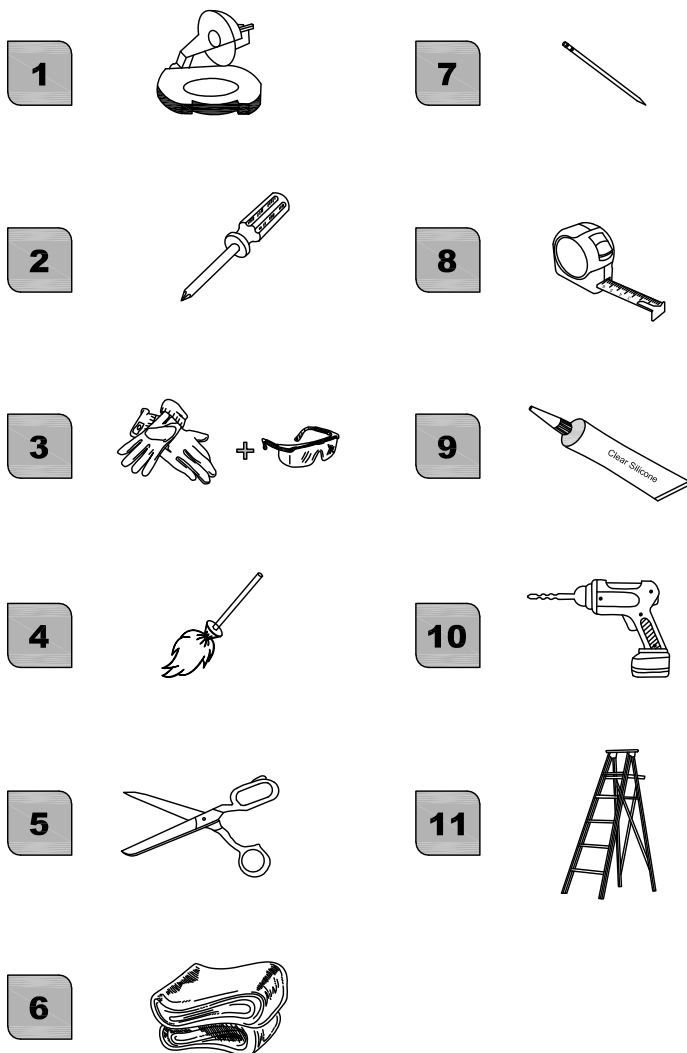


DOORS 22

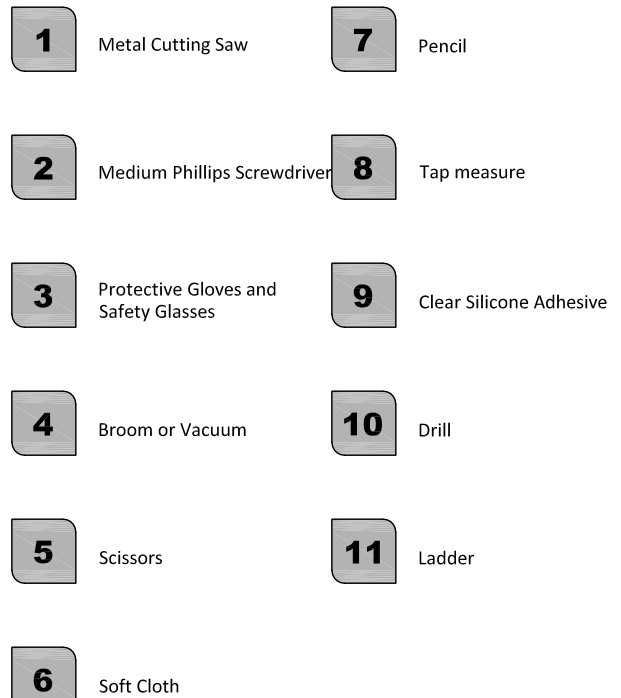
SLIDING DOORS & OFFICE PARTITIONS

Tools:

Tools needed to complete the installation



Legend:



Please read the installation instructions before getting started:

1. Make sure there is a large space to unpack the panels and tracks out of their boxes. Check all boxes for smaller parts before disposing them.
2. Fig 1: Take the panel out of the protective box by grabbing it from the frame (**only the short side of the panel**). Do not lift the panel by pulling on the frame (**the long side of the panel**), damage may occur if handled this way.
3. Unless specified during the order process, tracks will arrive a few inches longer than the opening width.

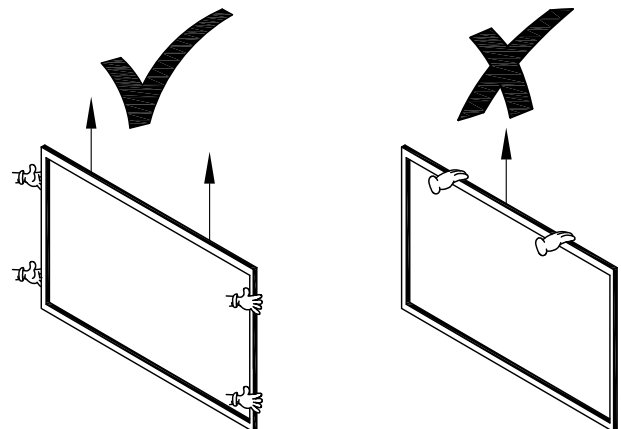
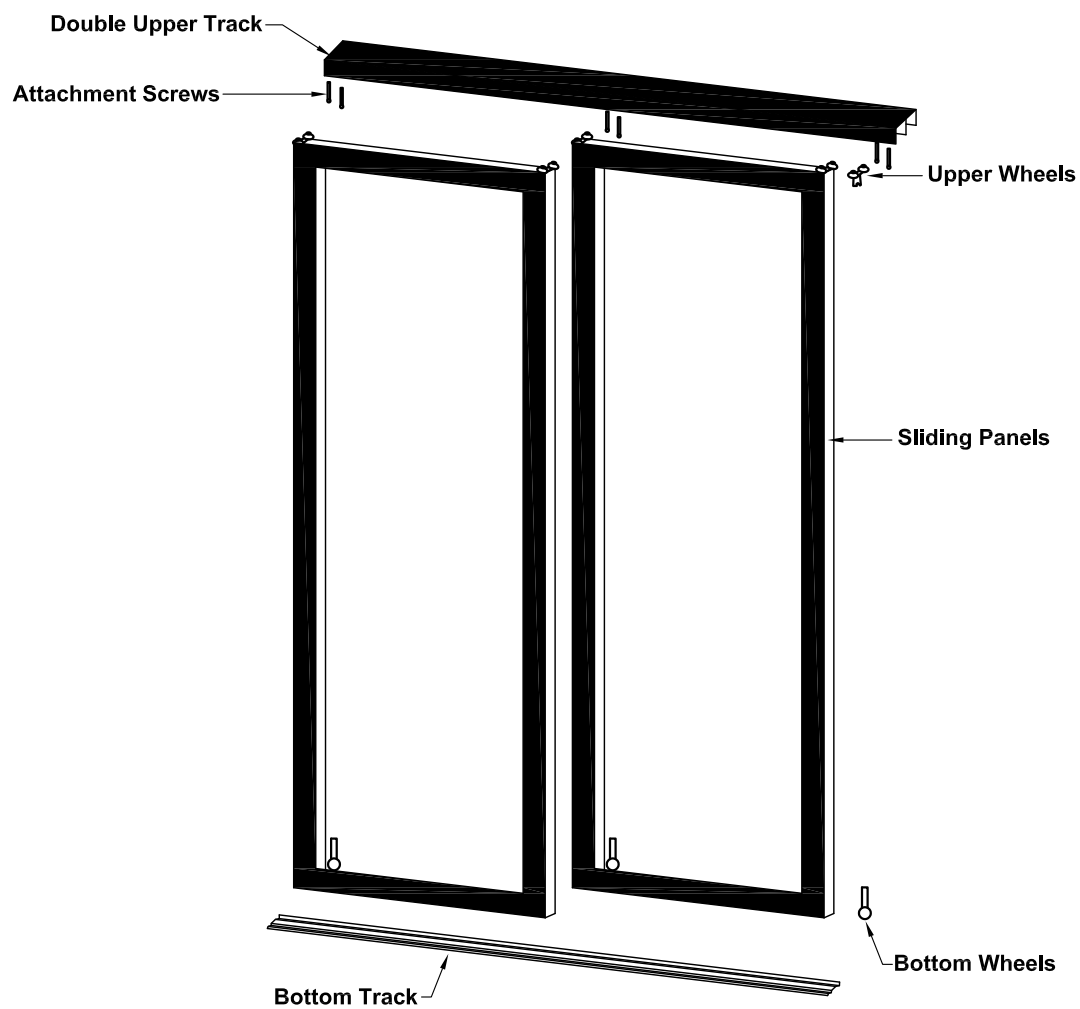


Fig.01

DOORS 22

SLIDING DOORS & OFFICE PARTITIONS

4. Make sure all parts and pieces are present before you begin the installation.



DOORS 22

SLIDING DOORS & OFFICE PARTITIONS

Installing the Upper Track:

5. Measure the width of the top of the opening. Mark the track to the specific dimension you just measured.
6. Fig 2: Use a metal saw to cut the upper track
7. Fig 3: Place the track flush with the front of the header
8. Fig 4: Use self-tapping screws (found at any Home Depot) which will easily go through the aluminum track

Fig. 2

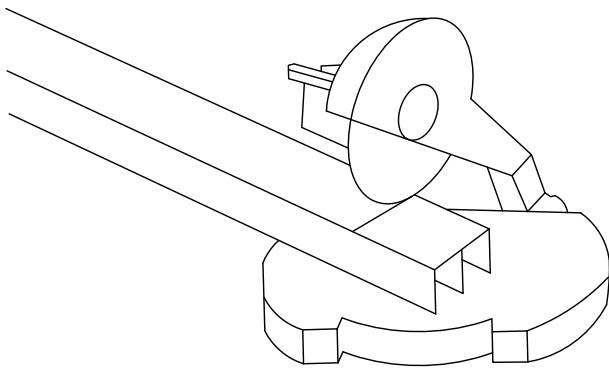


Fig. 4

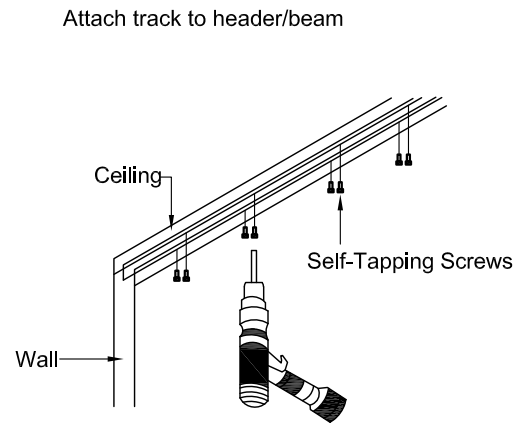
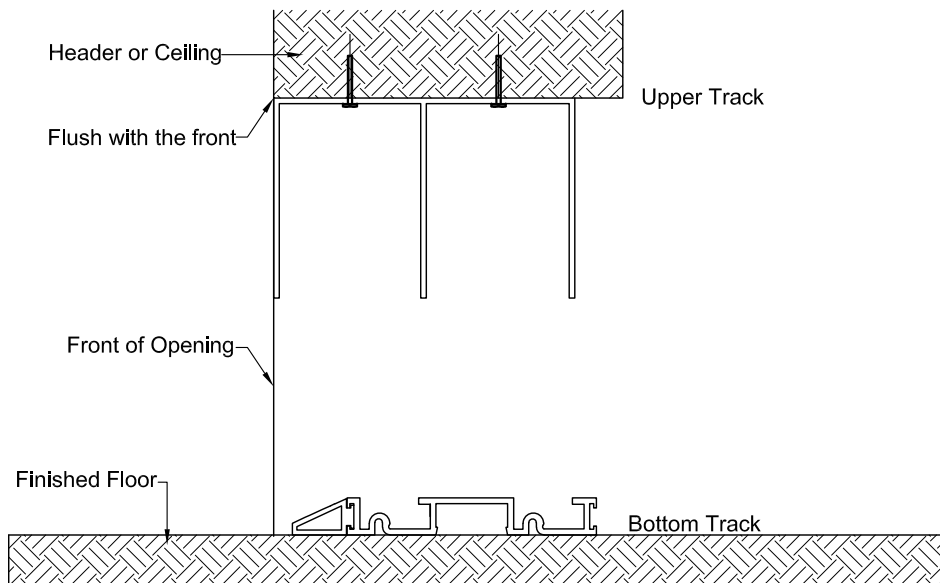


Fig. 3

Front of the Opening

Backside of the Opening



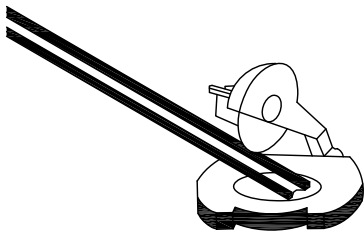
DOORS 22

SLIDING DOORS & OFFICE PARTITIONS

Installing the Bottom Track:

9. Take the baseboard off from both sides of the opening and measure the total width and mark the track to the specific dimension you just measured.
10. Fig. 5: Use a metal saw to cut the bottom track
11. Fig. 6: Place the bottom track slightly removed from the front of the opening so that the back of the bottom track is plum with the back of the top track. The hook located on the bottom wheel should point towards the BACK of the system, that's how you'll know that the bottom track is placed in the right direction.
12. Mark the location of the track and put it aside.
13. Clean the floor where the track will be mounted with a broom, no aluminum particles should remain on the floor.
14. Fig. 7: Apply thin lines of clear silicone adhesive to the back surface of the bottom track.
15. Place the track on the floor whereas the back side of the bottom track aligns with the back side of the top track.
16. Press track firmly down and immediately remove any excess silicone with a cloth.

Fig. 5



Cut Bottom Track to proper length

Fig. 7

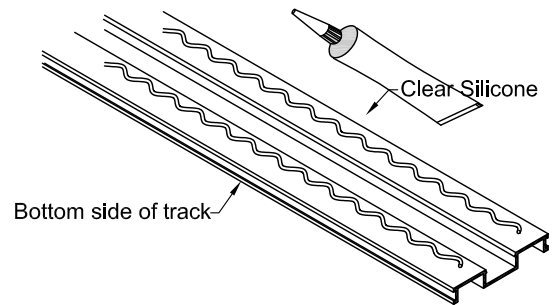
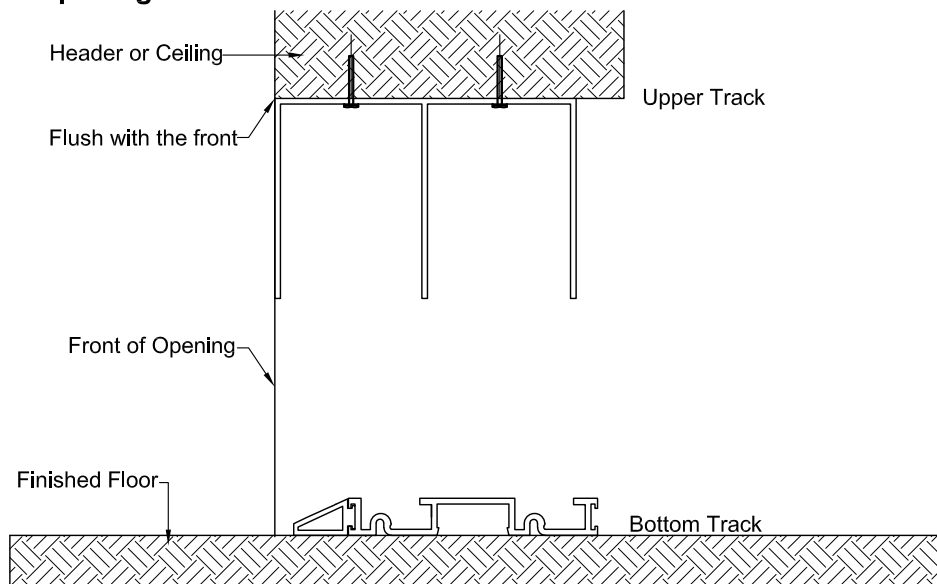


Fig. 6

Front of the Opening

Backside of the Opening



DOORS 22

SLIDING DOORS & OFFICE PARTITIONS

Installing the Panels:

17. Fig.8: Affix the top plastic wheel holders to the frame, with a screw.
18. Fig. 9: Angle the panel and insert the top of the panel into the back channel of your upper track. Place the panel in a way that it can gently sit on top of the bottom track.
19. Fig. 10: Place the bottom wheel mechanism into the outmost far channel of the bottom track. The hook from the bottom wheel should be placed under the lip of the bottom track.
20. Gently raise the panel and place the wheel mechanism in the metal housing of the panel.
21. Secure the wheel to the panel using the screws coming with the wheels. Do not tighten them just yet.

Fig. 8

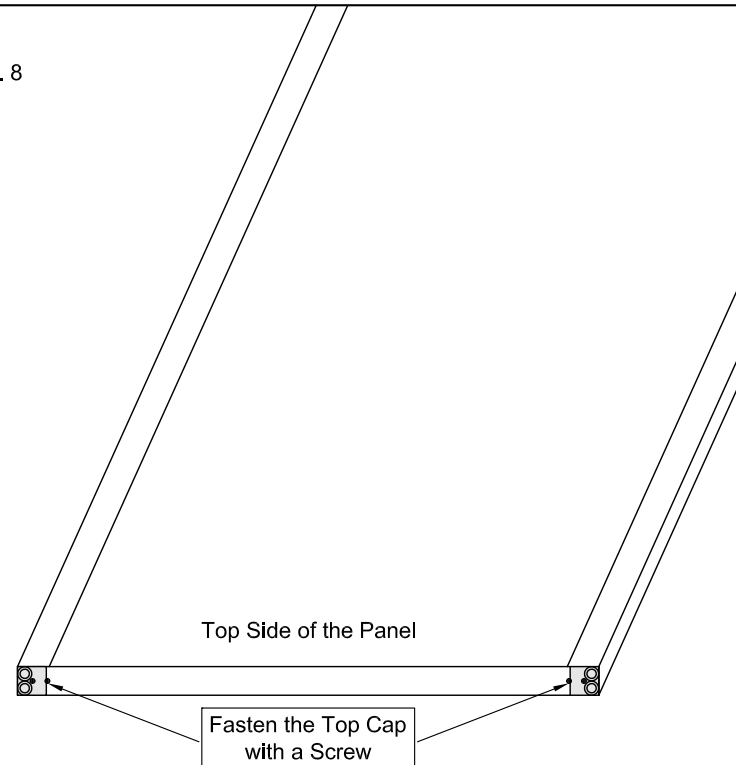


Fig. 9

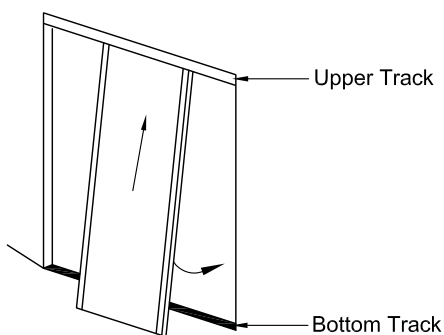
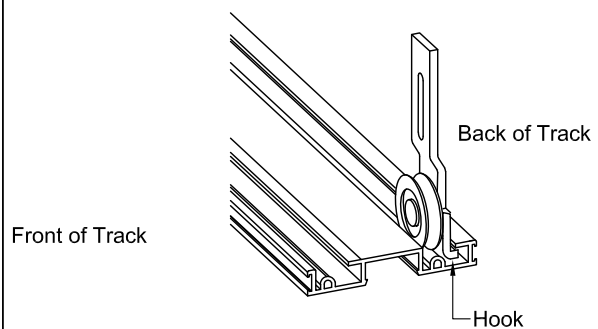


Fig. 10



DOORS 22

SLIDING DOORS & OFFICE PARTITIONS

Adjusting and aligning the Doors:

21. You can slightly tilt each side of each panel by loosening or tightening the black screw located above the wheel mechanism.
22. Tighten the screws holding the bottom wheels to the panel, once all adjustments have been made
23. Test the doors to make sure all doors glide easily.
24. Slide the bottom track gently backwards or forward so that the panels are perfectly flush with the edge of the opening. The first panel should be flush with one side of the opening, the last panel on the track should be flush with the opposite side of the opening of door No1.
25. Place all panels in such way it covers evenly the entire opening Leave the doors in a closed position for 12h so the silicone can dry and adhere to floor properly.

