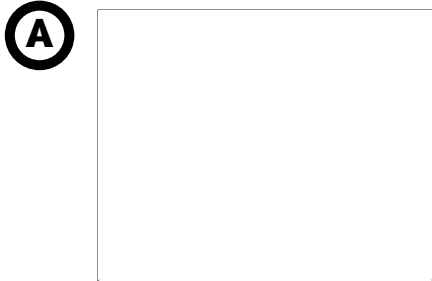


BED ASSEMBLY INSTRUCTIONS

PARTS INCLUDED



A HEADBOARD (1) PC



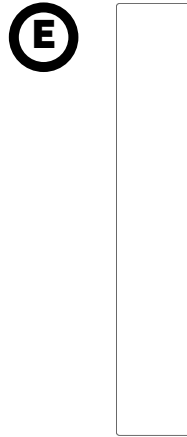
B FOOTBOARD (1) PC



C SIDE RAILS (2) PC



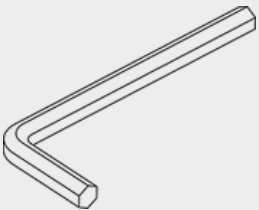
D SLATS (3) PC



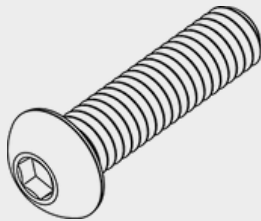
E WINGS (2) PC

HARDWARE KIT

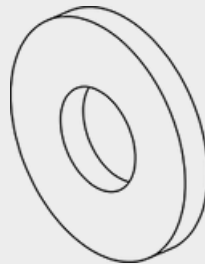
ALLEN KEY
(1) PC



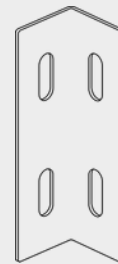
SCREWS
(17) PC



FLAT WASHER
(17) PC



L BRACKETS
(4) PC



WING BRACKETS
(4) PC



Note:

1 screw and 1 flat washer are included as spare. Only 16 are required for assembly.

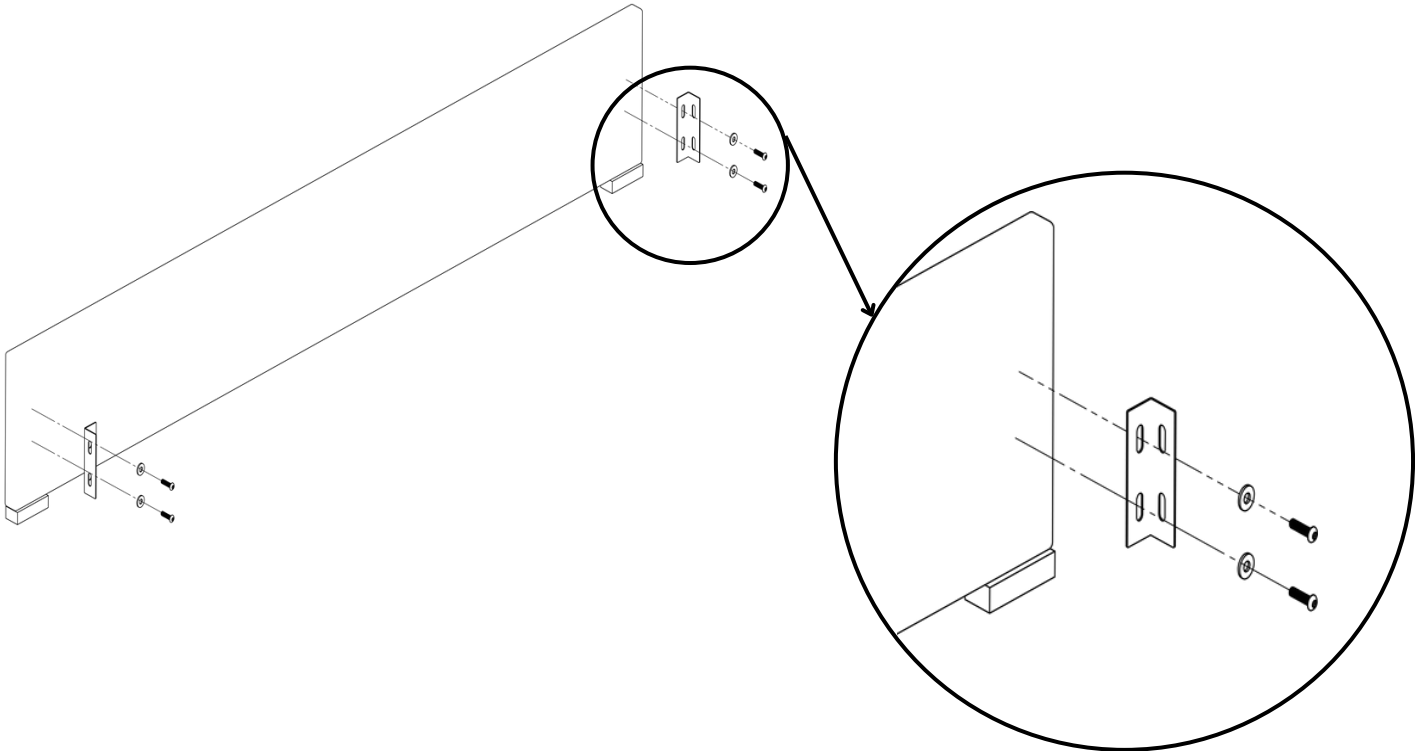
ASSEMBLY INSTRUCTIONS

MAY REQUIRE OF 2 ADULTS

IDENTIFY ALL THE PARTS INCLUDED LISTED AT THE BEGINNING OF THIS DOCUMENT ACCORDING TO THE MODEL OF YOUR BED.

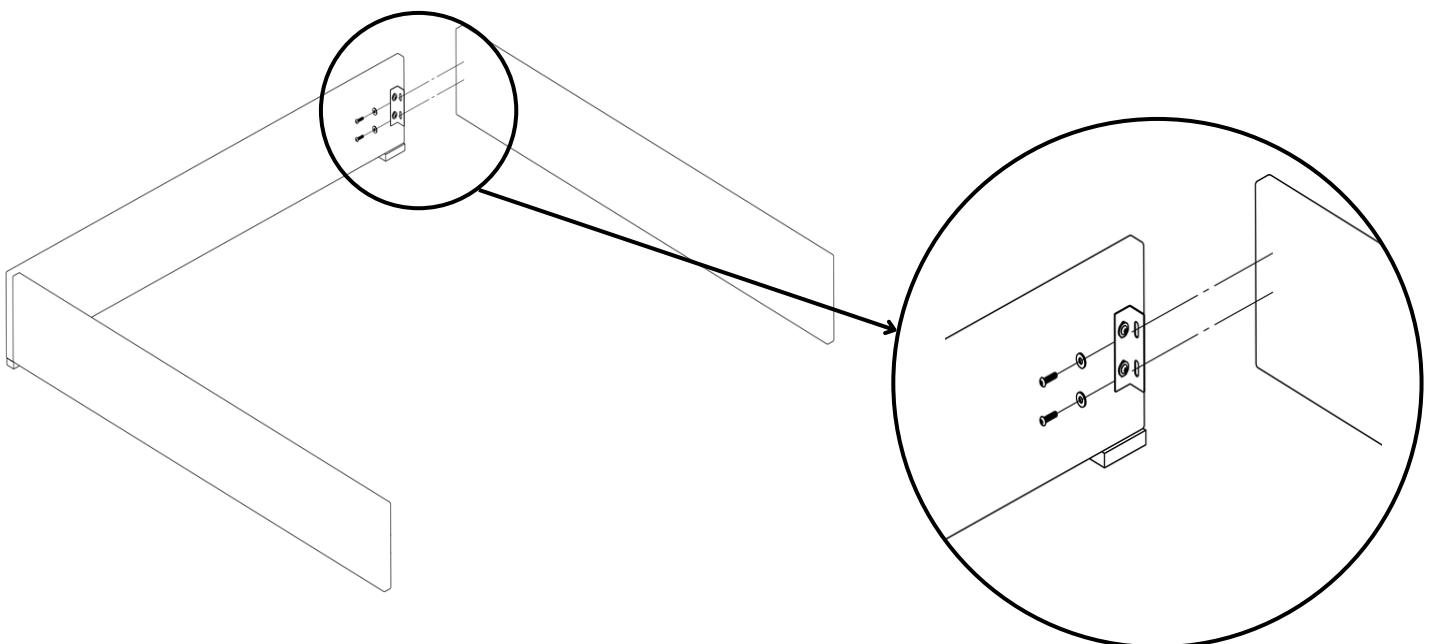
STEP 1 – ATTACH BRACKETS TO FOOTBOARD

- Place the **L brackets** on the inside face of the **footboard (B)** as shown.
- Place a **flat washer** between the **screw** and the **L bracket**, then tighten using the **Allen key**.



STEP 2 – CONNECT FOOTBOARD AND SIDE RAILS

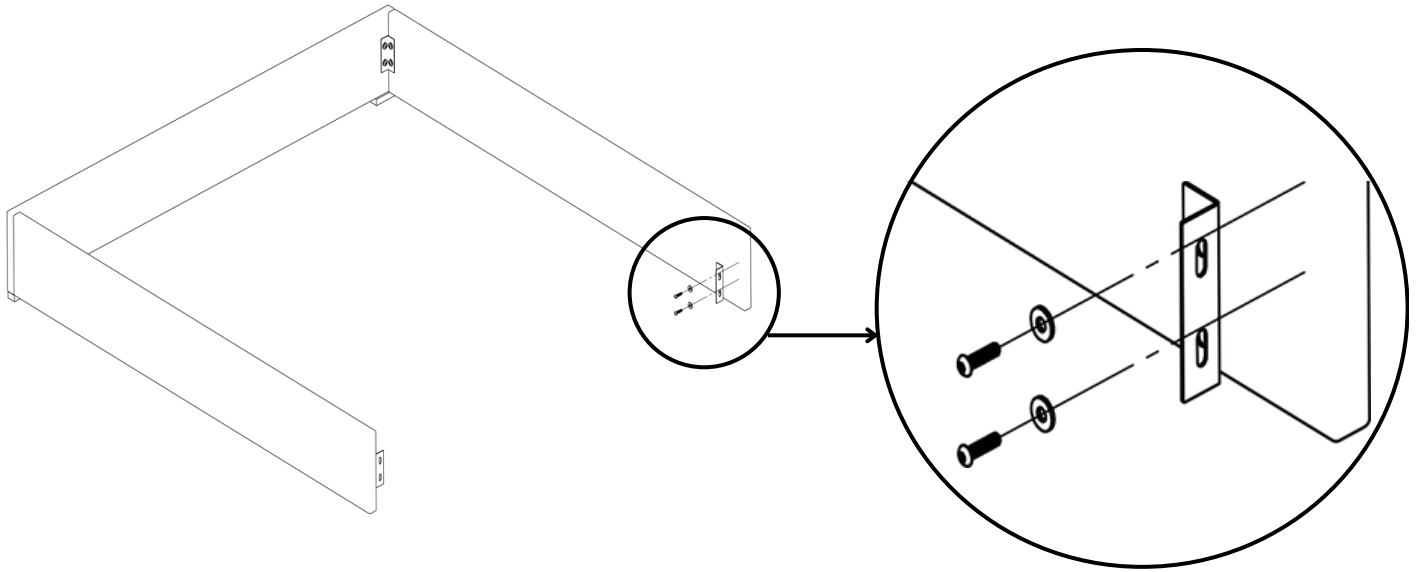
- Align the **L brackets** on the **footboard (B)** with the ends of the **side rails (C)**.
- Insert a **flat washer** and Allen **screw** into each hole, and tighten securely using the **Allen key**.



STEP 3 – ATTACH BRACKETS TO SIDE RAILS

- Place the **L brackets** on the inner ends of each **side rail (C)**.
- Secure each **L bracket** with a **flat washer** and Allen **screw** using the **Allen key**.

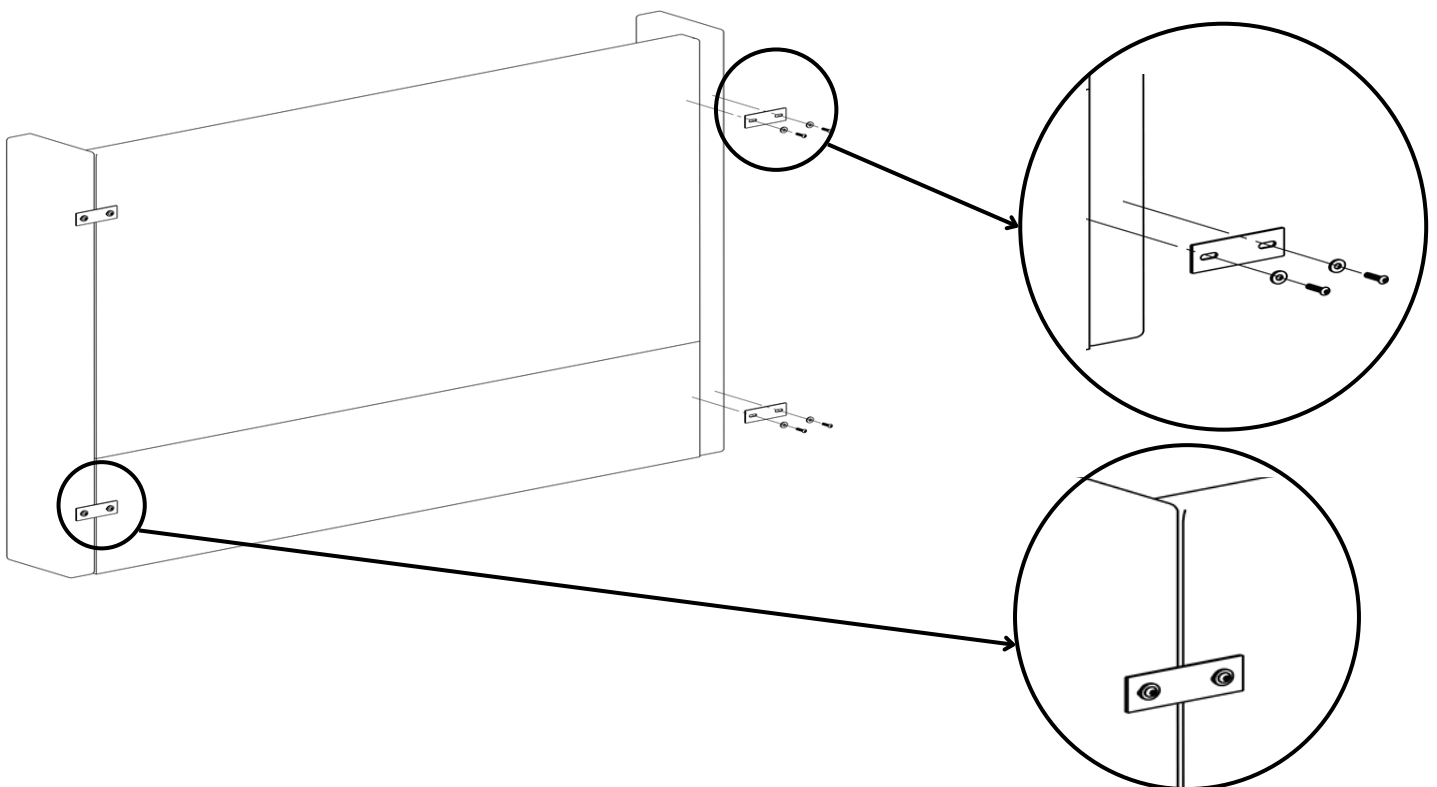
Do not attach to the headboard yet – it must be assembled first.

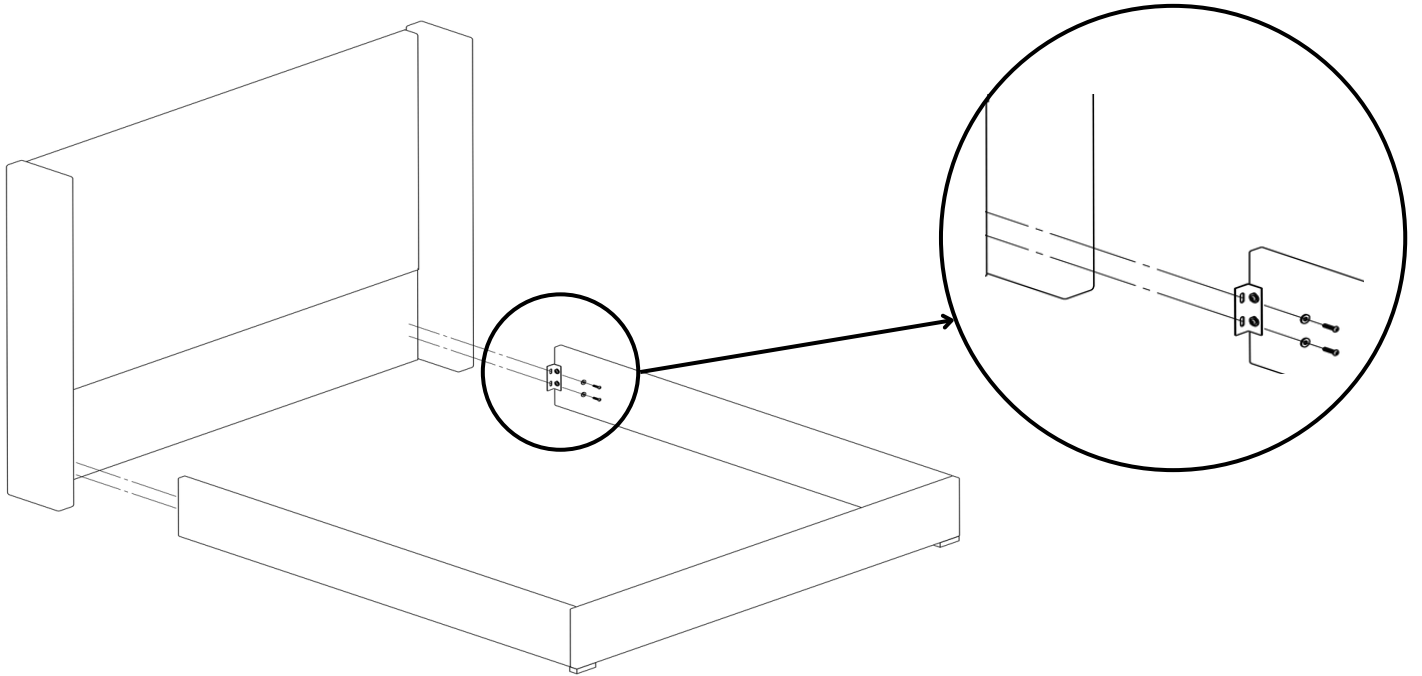


STEP 4 – ASSEMBLE HEADBOARD AND WINGS

For 47" & 67" height:

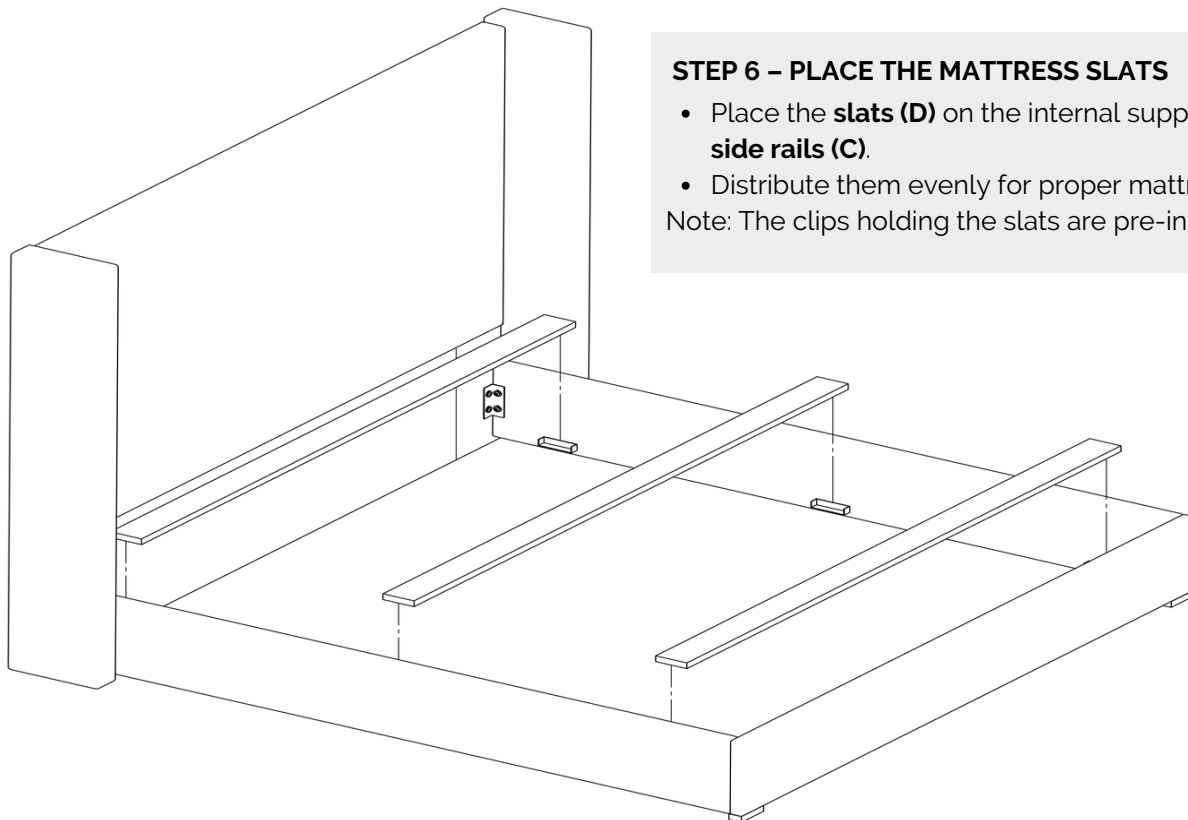
- Attach the **wings (E)** directly to the **headboard (A)** using **wing brackets, flat washers, and Allen screws**.





STEP 5 – CONNECT HEADBOARD TO MAIN STRUCTURE

- Align the ends of the **side rails (C)** with the assembled **headboard (A)**.
- Insert the Allen **screws** with **flat washers** into the **L brackets** and tighten with the **Allen key**. Ensure all joints are flush and secure.



STEP 6 – PLACE THE MATTRESS SLATS

- Place the **slats (D)** on the internal supports of the **side rails (C)**.
 - Distribute them evenly for proper mattress support.
- Note: The clips holding the slats are pre-installed.

FOR ADJUSTABLE BEDS

If using an adjustable base:

Remove the 6 brackets holding the slats using a screwdriver.

Do not use the **slats (D)**.