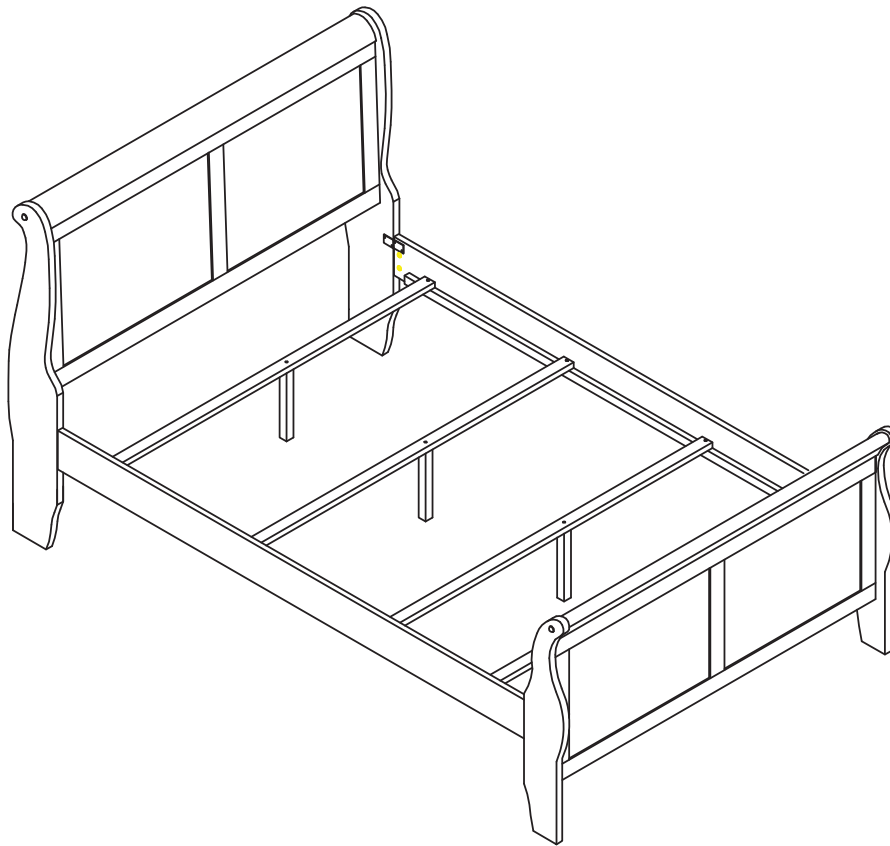


Assembly Instructions



ASSEMBLY RATING

The Assembly Rating is a 5-point system that shows the degree of effort needed in assembling a specific product (with 1 being easy and 5 being difficult). For some products, two persons are recommended.

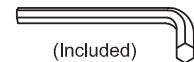
EASY



DIFFICULT

Tools Required For Assembly:

Allen Wrench



(Included)

Phillips Screwdriver



(Not Included)

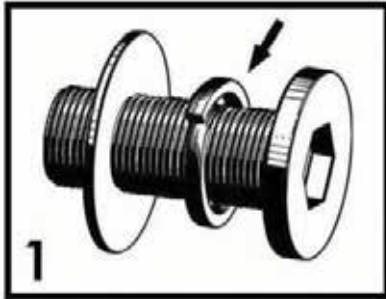


2 PERSONS RECOMMENDED

ASSEMBLY & CARE ADVICE

FOR YOUR FURNITURE TO LAST, CORRECT ASSEMBLY AND PROPER MAINTENANCE ARE NECESSARY. PLEASE FOLLOW THE INFORMATION PROVIDED BELOW TO FULLY ENJOY YOUR FURNITURE.

BASIC ASSEMBLY TECHNIQUES



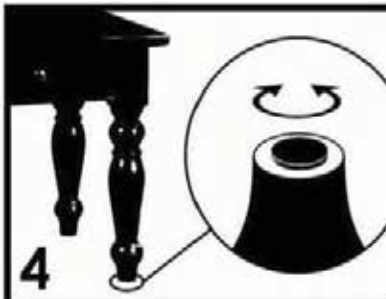
When lock or spring washer is used in an assembly, please make sure the lock or spring washer is placed between the larger flat washer and the head of the screw or bolt.



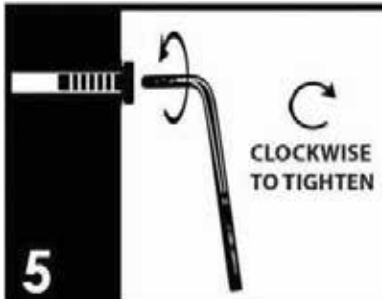
Position each part correctly and insert screws or bolts into their respective holes by hand tighten or using the proper hand tool. Only tighten when step is completed or when instructed to do so.



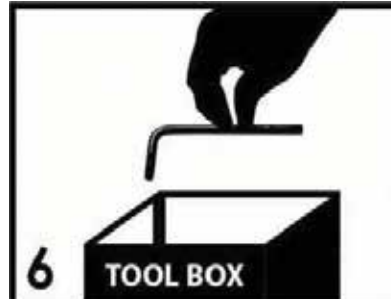
Use cardboard or carpet area when assembling furniture to prevent scratches. Make sure the furniture rests on a flat and level surface with each leg evenly touching the floor.



Some furniture comes with height adjustment knobs underneath each leg. To lower or to raise each leg, you need to turn clockwise or counterclockwise, respectively.



Make sure all parts are properly aligned, then use the appropriate hand tool to completely tighten the bolts or screws. Do not use power tools and do not overtighten.



Save the instructions and store the Allen wrench or any supplied tool for later maintenance. After two weeks, check and tighten any loose hardware and repeat again every six months thereafter.

IT IS THE USER'S RESPONSIBILITY TO MAINTAIN THE FURNITURE. THE HARDWARE MAY LOOSEN OVER TIME AND MAY CAUSE THE FURNITURE TO BE WOBBLY AND UNABLE TO SUPPORT ITS INTENDED WEIGHT CAPACITY. THIS MAY LEAD TO COLLAPSE AND MAY CAUSE SERIOUS INJURY.



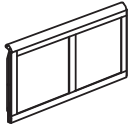
FAILURE TO FOLLOW THE GUIDELINES ABOVE MAY RESULT IN INJURY AND/OR PROPERTY DAMAGE.



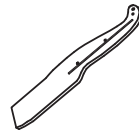
Before you begin, please read Page 2 of "Assembly and Care Advice".

And remember, do not tighten until each step is completed or instructed.

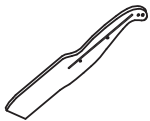
Parts List



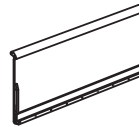
#1 x 1pc
Headboard



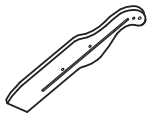
#2 x 1pc
Headboard Leg Right



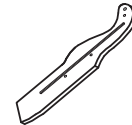
#3 x 1pc
Headboard Leg Left



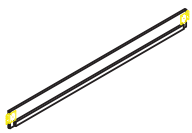
#4 x 1pc
Footboard



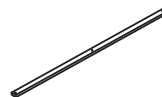
#5 x 1pc
Footboard Leg Right



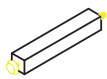
#6 x 1pc
Footboard Leg Left



#7 x 2pcs
Side Rail



#8 x 4pcs
Slat



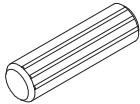
#9 x 4pcs
Slat Support Leg



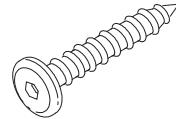
Before you begin, please read Page 2 of "Assembly and Care Advice".

And remember, do not tighten until each step is completed or instructed.

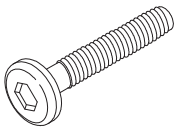
Hardware List



#A x 4pcs
Dowel M10 x 40mm



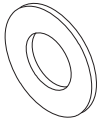
#B x 4pcs
JCBC-W M7 x 40mm



#C x 8pcs
Bolt 1/4" x 1-3/8"



#D x 8pcs
Lock Washer



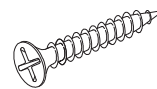
#E x 8pcs
Flat Washer



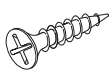
#F x 1pc
Allen Wrench



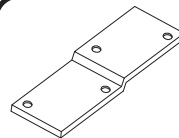
#G x 4pcs
Wood Button Ø15.5



#H x 8pcs
CSK M4 x 32mm



#I x 16pcs
CSK M3.5 x 16mm



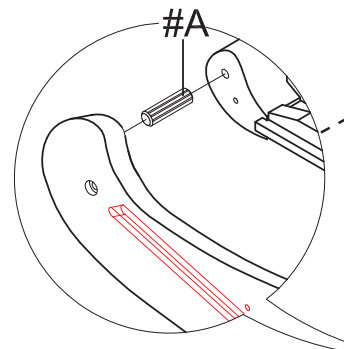
#J x 4pcs
Bracket - Black



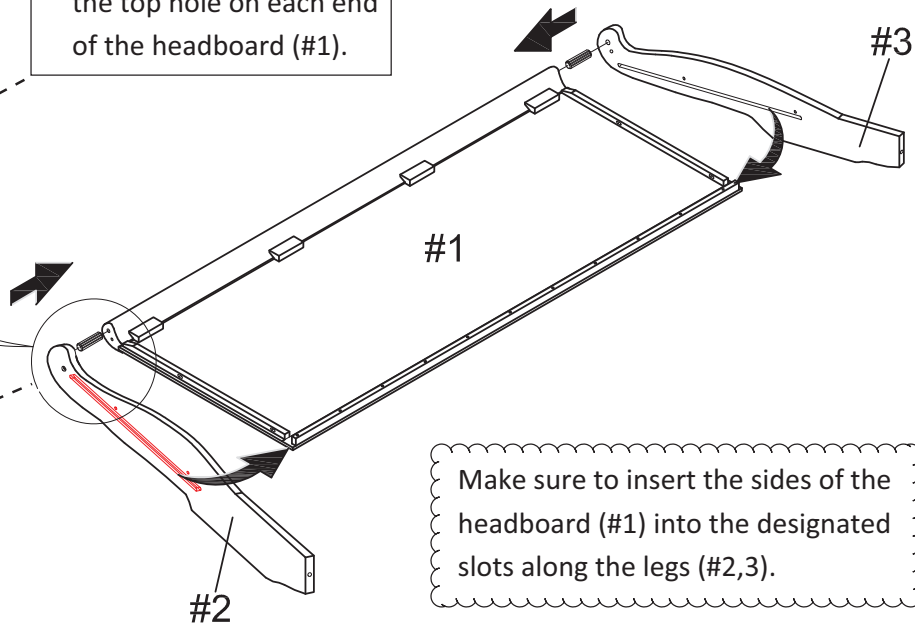
#A x 2pcs

Note: Left and right is determined by facing the front of the headboard in its upright position.

1. Insert a dowel (#A) into the top hole on each end of the headboard (#1).



2. Insert the other end of the dowels (#A) into the pre-drilled holes along the top of the right/left headboard legs (#2,3).

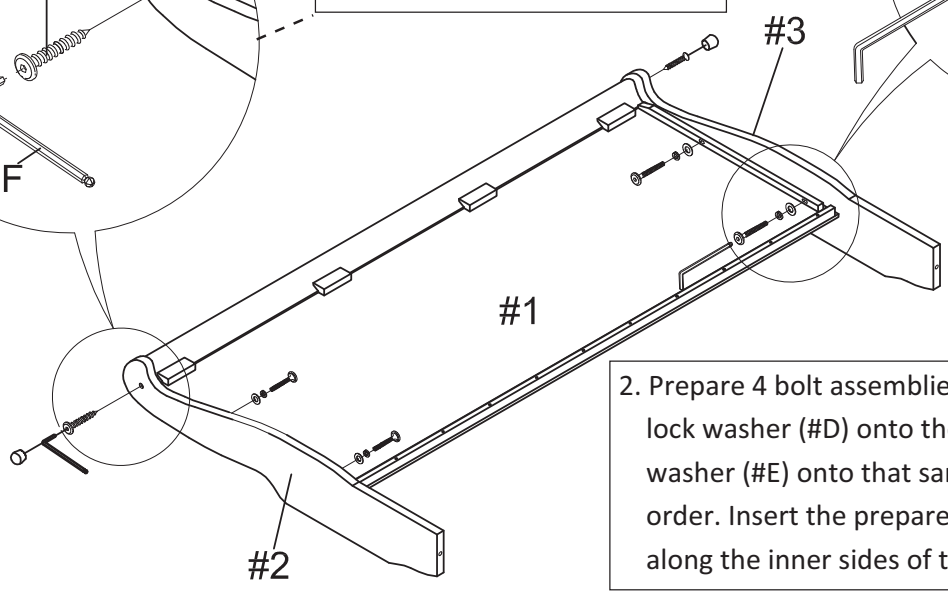
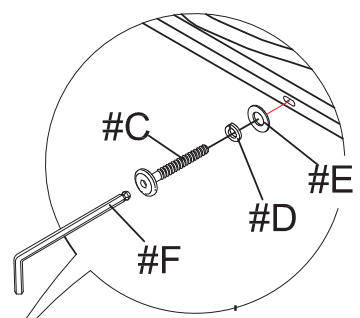
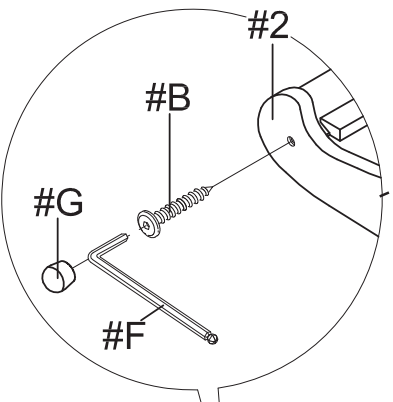


Make sure to insert the sides of the headboard (#1) into the designated slots along the legs (#2,3).



#B x 2pcs
#C x 4pcs
#D x 4pcs
#E x 4pcs
#G x 2pcs

1. Insert a bolt (#B) into the top holes located on the outer sides of the legs (#2,3). Then apply a wood button (#G) onto those bolts.

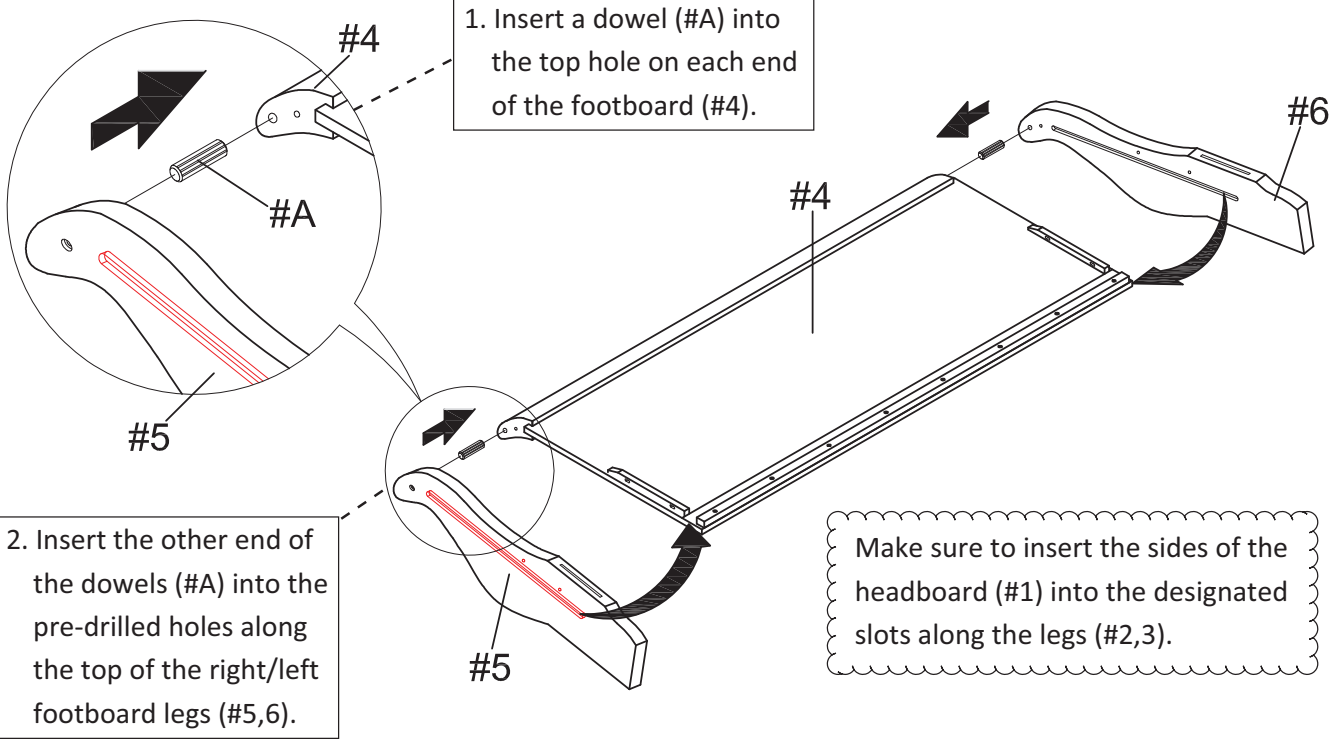


2. Prepare 4 bolt assemblies by first inserting a lock washer (#D) onto the bolt (#C) then a flat washer (#E) onto that same bolt (#C), in that order. Insert the prepared bolts into the holes along the inner sides of the headboard (#1).



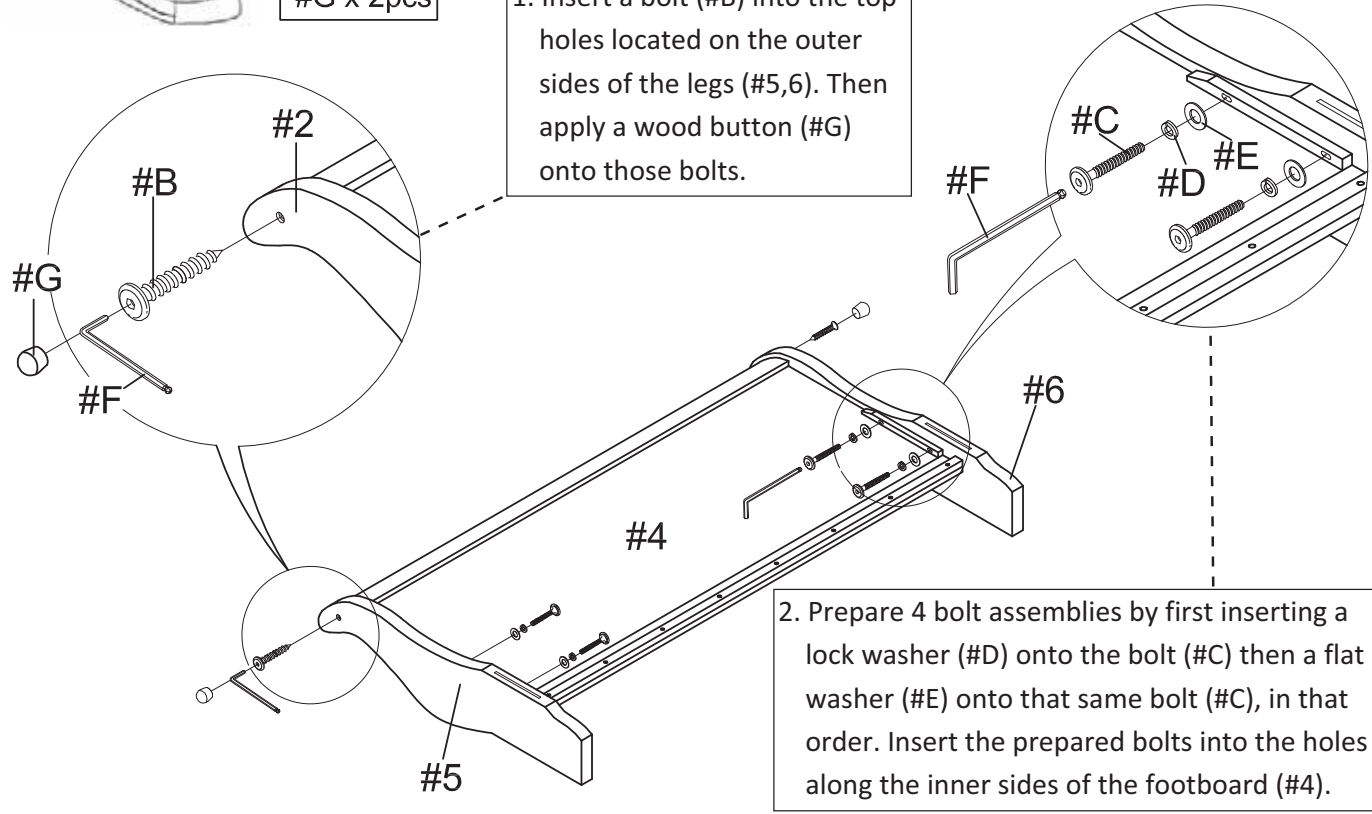
#A x 2pcs

Note: Left and right is determined by facing the front of the footboard in its upright position.



#B x 2pcs
#C x 4pcs
#D x 4pcs
#E x 4pcs
#G x 2pcs

1. Insert a bolt (#B) into the top holes located on the outer sides of the legs (#5,6). Then apply a wood button (#G) onto those bolts.

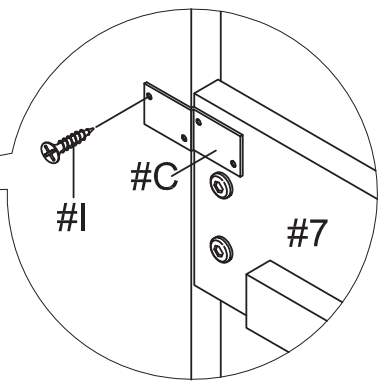




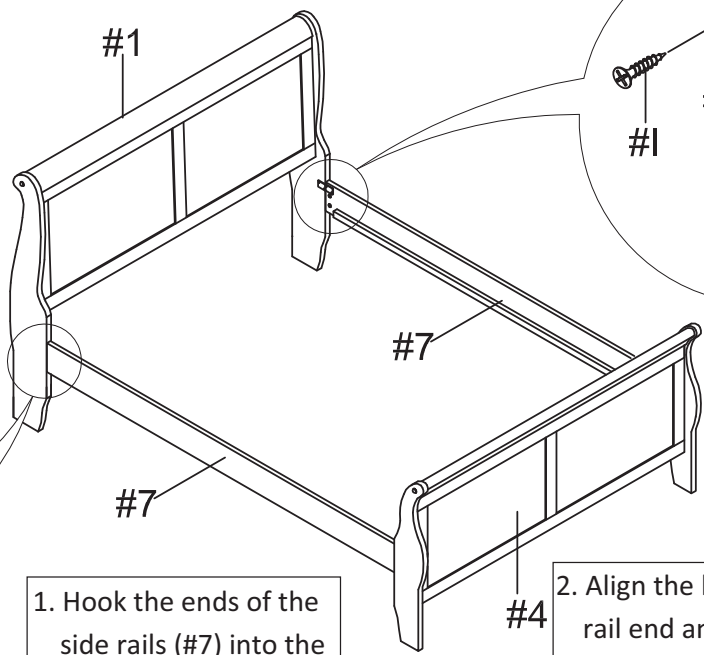
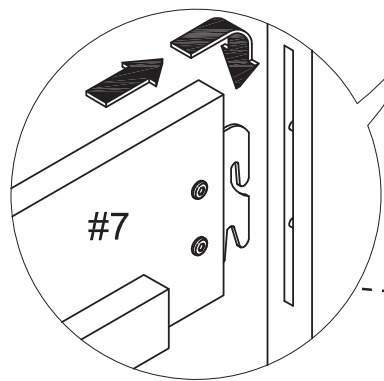
#5

#I x 16pcs
#J x 4pcs

5-2



5-1



1. Hook the ends of the side rails (#7) into the slots along the headboard/footboard legs.

2. Align the brackets (#J) to each rail end and footboard/headboard. Insert 4 screws (#I) into each bracket and secure using a Phillips screwdriver.

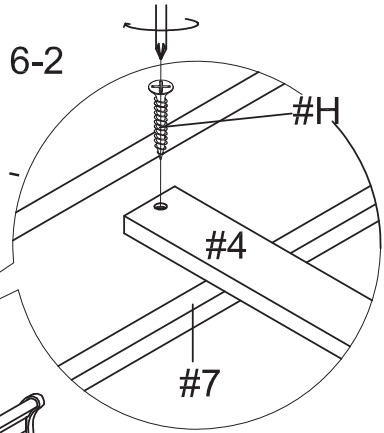


#6

#H x 8pcs

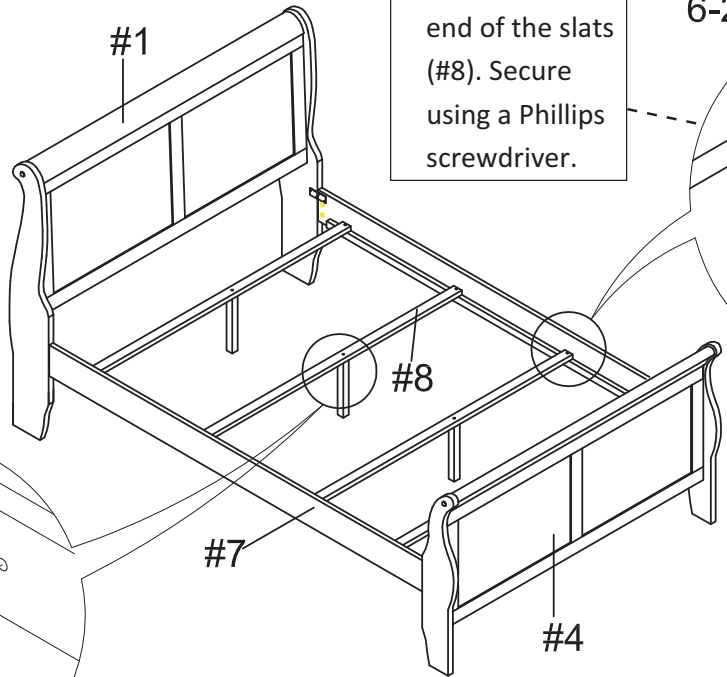
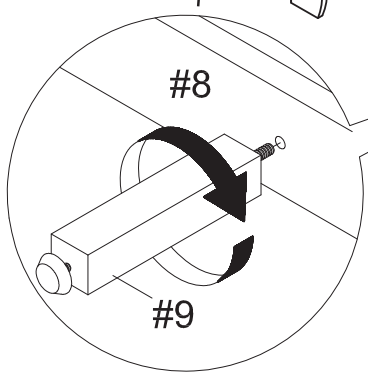
2. Insert a screw (#H) into each end of the slats (#8). Secure using a Phillips screwdriver.

6-2



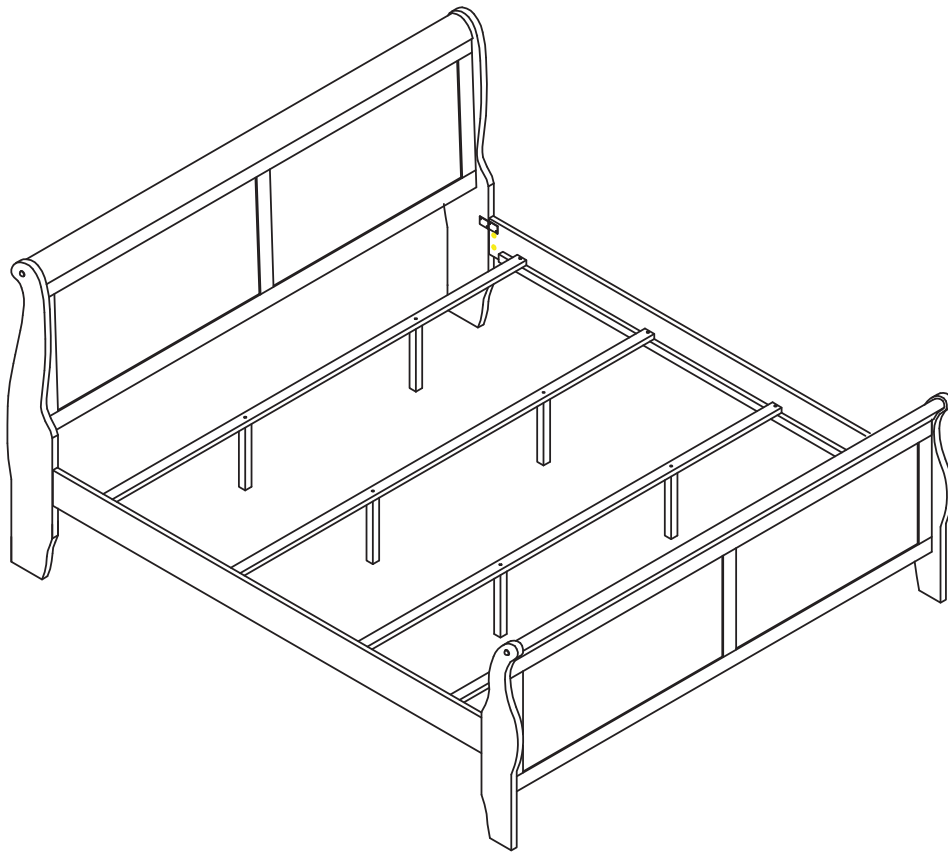
1. Insert the threaded ends of the slat support legs (#9) into the pre-drilled holes along the sides of the slats (#8).

6-1



ASSEMBLY IS COMPLETED

Assembly Instructions



ASSEMBLY RATING

The Assembly Rating is a 5-point system that shows the degree of effort needed in assembling a specific product (with 1 being easy and 5 being difficult). For some products, two persons are recommended.

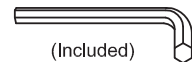
EASY



DIFFICULT

Tools Required For Assembly:

Allen Wrench



(Included)

Phillips Screwdriver



(Not Included)

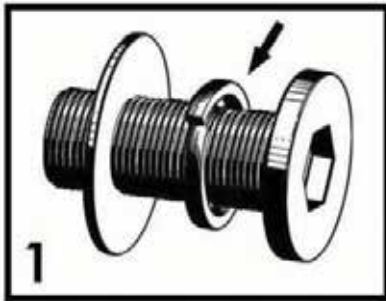


2 PERSONS RECOMMENDED

ASSEMBLY & CARE ADVICE

FOR YOUR FURNITURE TO LAST, CORRECT ASSEMBLY AND PROPER MAINTENANCE ARE NECESSARY. PLEASE FOLLOW THE INFORMATION PROVIDED BELOW TO FULLY ENJOY YOUR FURNITURE.

BASIC ASSEMBLY TECHNIQUES



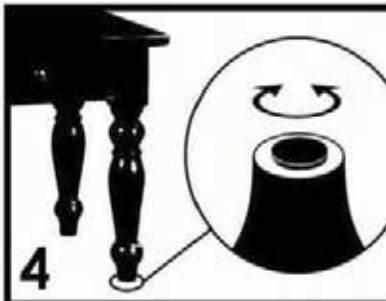
When lock or spring washer is used in an assembly, please make sure the lock or spring washer is placed between the larger flat washer and the head of the screw or bolt.



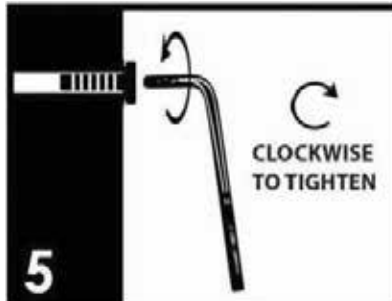
Position each part correctly and insert screws or bolts into their respective holes by hand tighten or using the proper hand tool. Only tighten when step is completed or when instructed to do so.



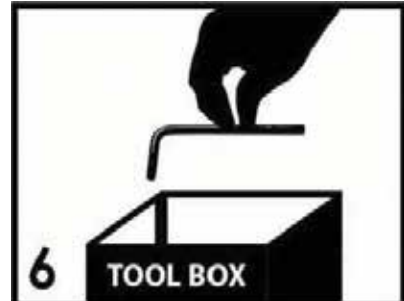
Use cardboard or carpet area when assembling furniture to prevent scratches. Make sure the furniture rests on a flat and level surface with each leg evenly touching the floor.



Some furniture comes with height adjustment knobs underneath each leg. To lower or to raise each leg, you need to turn clockwise or counterclockwise, respectively.



Make sure all parts are properly aligned, then use the appropriate hand tool to completely tighten the bolts or screws. Do not use power tools and do not overtighten.



Save the instructions and store the Allen wrench or any supplied tool for later maintenance. After two weeks, check and tighten any loose hardware and repeat again every six months thereafter.

IT IS THE USER'S RESPONSIBILITY TO MAINTAIN THE FURNITURE. THE HARDWARE MAY LOOSEN OVER TIME AND MAY CAUSE THE FURNITURE TO BE WOBBLY AND UNABLE TO SUPPORT ITS INTENDED WEIGHT CAPACITY. THIS MAY LEAD TO COLLAPSE AND MAY CAUSE SERIOUS INJURY.



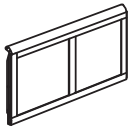
FAILURE TO FOLLOW THE GUIDELINES ABOVE MAY RESULT IN INJURY AND/OR PROPERTY DAMAGE.



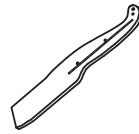
Before you begin, please read Page 2 of "Assembly and Care Advice".

And remember, do not tighten until each step is completed or instructed.

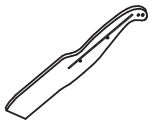
Parts List



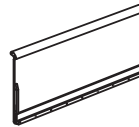
#1 x 1pc
Headboard



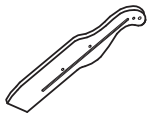
#2 x 1pc
Headboard Leg Right



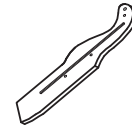
#3 x 1pc
Headboard Leg Left



#4 x 1pc
Footboard



#5 x 1pc
Footboard Leg Right



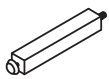
#6 x 1pc
Footboard Leg Left



#7 x 2pcs
Side Rail



#8 x 4pcs
Slat



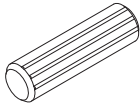
#9 x 8pcs
Slat Support Leg



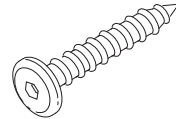
Before you begin, please read Page 2 of "Assembly and Care Advice".

And remember, do not tighten until each step is completed or instructed.

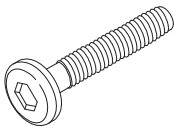
Hardware List



#A x 4pcs
Dowel M10 x 40mm



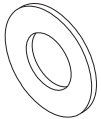
#B x 4pcs
JCBC-W M7 x 40mm



#C x 8pcs
Bolt 1/4" x 1-3/8"



#D x 8pcs
Lock Washer



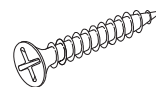
#E x 8pcs
Flat Washer



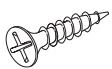
#F x 1pc
Allen Wrench



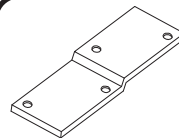
#G x 4pcs
Wood Button Ø15.5



#H x 8pcs
CSK M4 x 32mm



#I x 16pcs
CSK M3.5 x 16mm



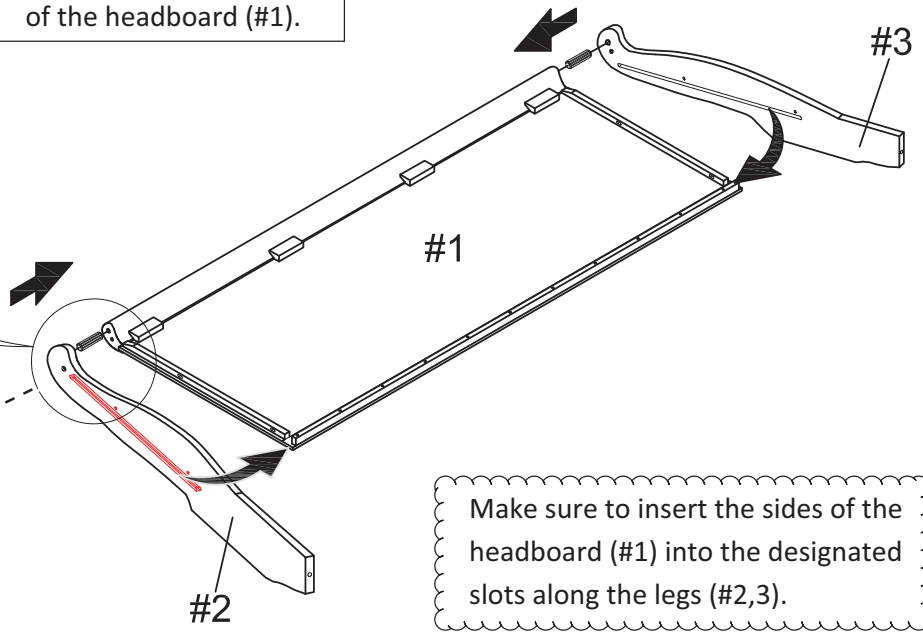
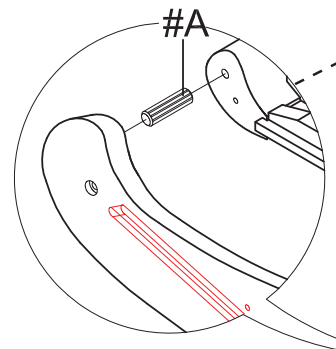
#J x 4pcs
Bracket - Black



#A x 2pcs

Note: Left and right is determined by facing the front of the headboard in its upright position.

1. Insert a dowel (#A) into the top hole on each end of the headboard (#1).



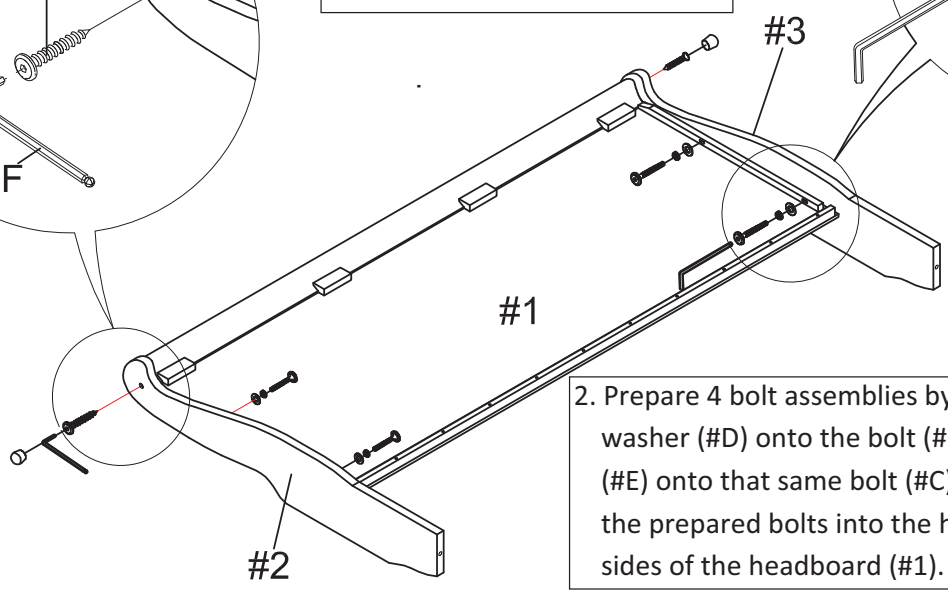
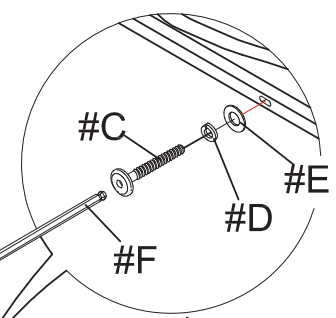
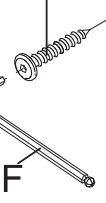
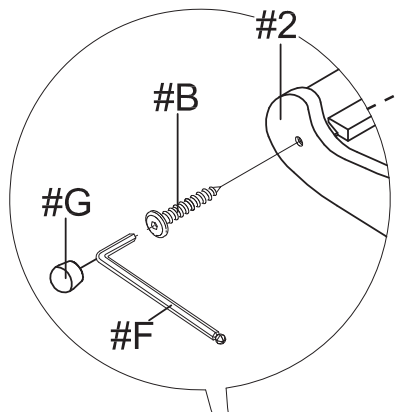
2. Insert the other end of the dowels (#A) into the pre-drilled holes along the top of the right/left headboard legs (#2,3).

Make sure to insert the sides of the headboard (#1) into the designated slots along the legs (#2,3).



#B x 2pcs
#C x 4pcs
#D x 4pcs
#E x 4pcs
#G x 2pcs

1. Insert a bolt (#B) into the top holes located on the outer sides of the legs (#2,3). Then apply a wood button (#G) onto those bolts.



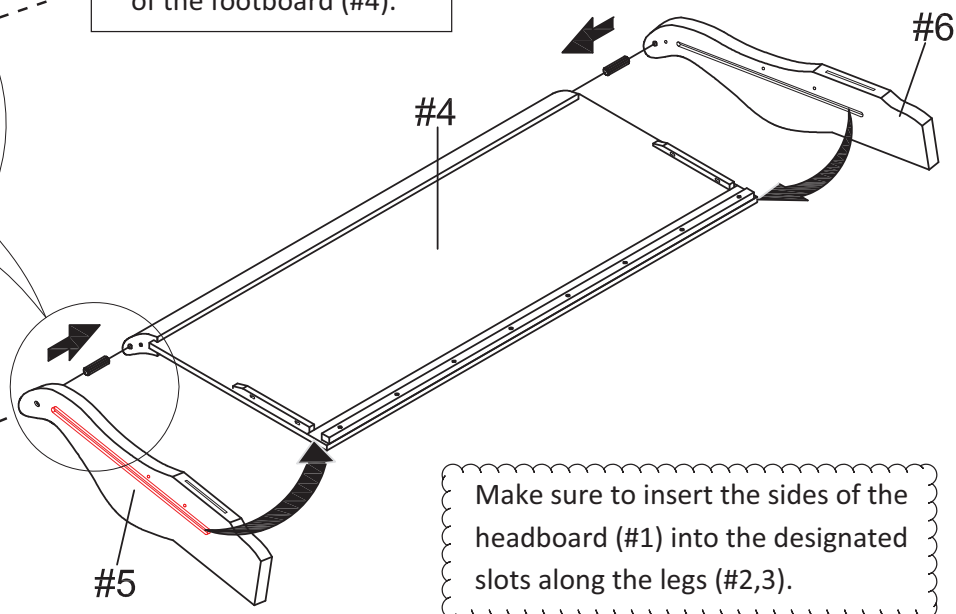
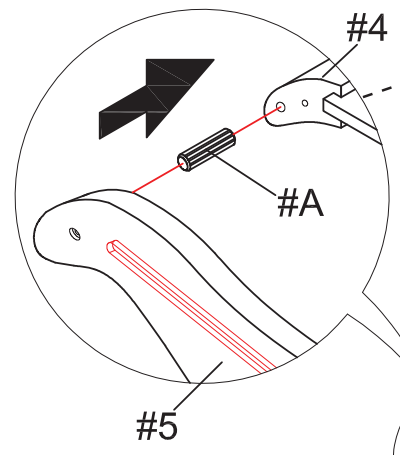
2. Prepare 4 bolt assemblies by first inserting a lock washer (#D) onto the bolt (#C) then a flat washer (#E) onto that same bolt (#C), in that order. Insert the prepared bolts into the holes along the inner sides of the headboard (#1).



#A x 2pcs

Note: Left and right is determined by facing the front of the foot-board in its upright position.

1. Insert a dowel (#A) into the top hole on each end of the footboard (#4).



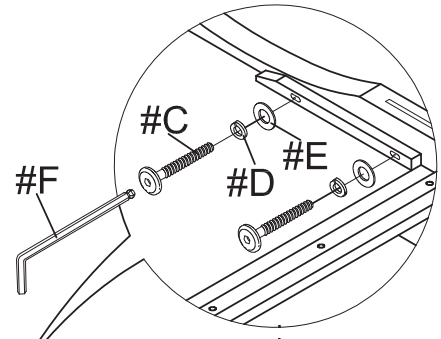
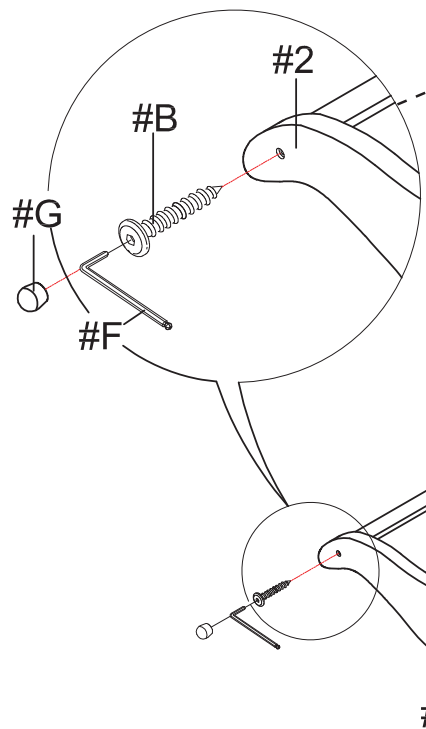
2. Insert the other end of the dowels (#A) into the pre-drilled holes along the top of the right/left footboard legs (#5,6).

Make sure to insert the sides of the headboard (#1) into the designated slots along the legs (#2,3).



#B x 2pcs
#C x 4pcs
#D x 4pcs
#E x 4pcs
#G x 2pcs

1. Insert a bolt (#B) into the top holes located on the outer sides of the legs (#5,6). Then apply a wood button (#G) onto those bolts.

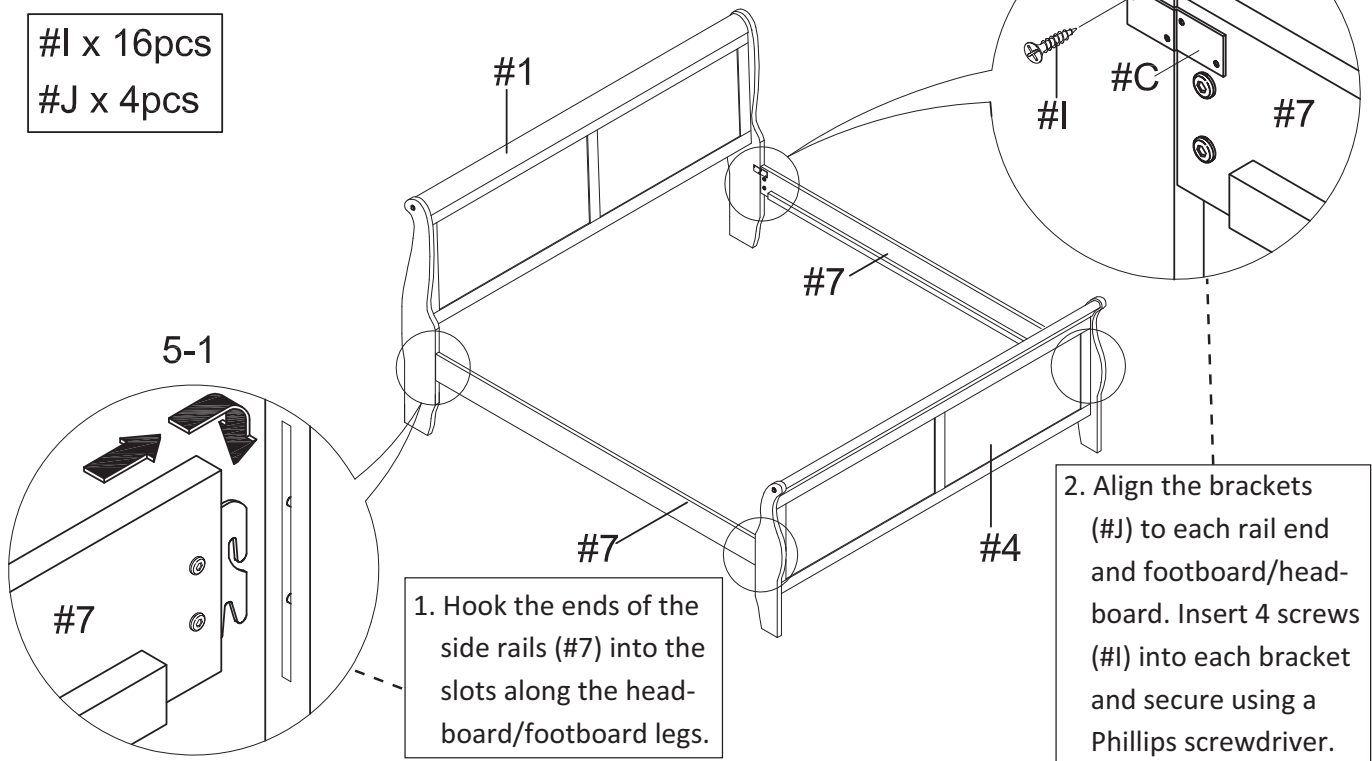


2. Prepare 4 bolt assemblies by first inserting a lock washer (#D) onto the bolt (#C) then a flat washer (#E) onto that same bolt (#C), in that order. Insert the prepared bolts into the holes along the inner sides of the footboard (#4).



#I x 16pcs
#J x 4pcs

5-2



1. Hook the ends of the side rails (#7) into the slots along the headboard/footboard legs.

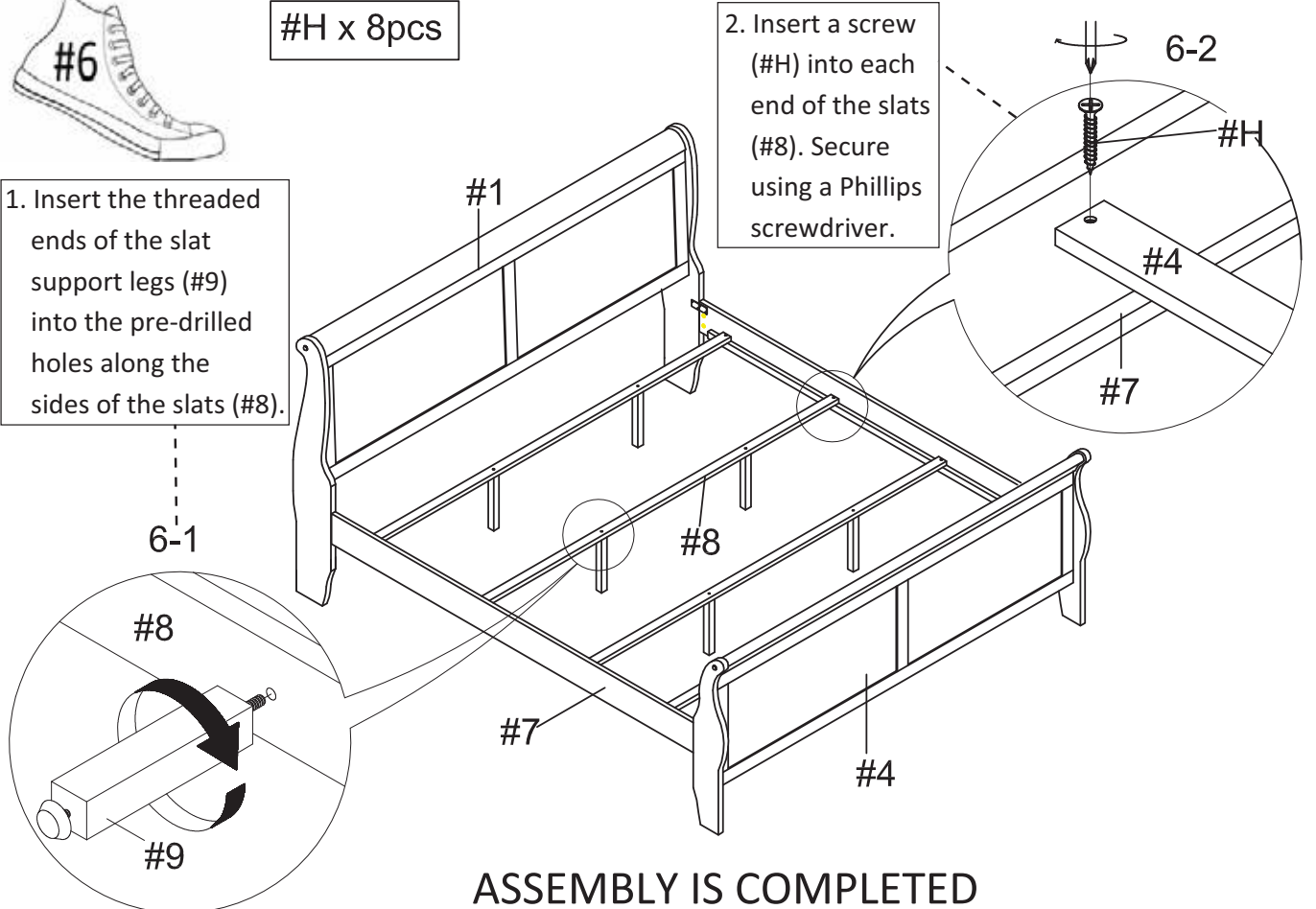
2. Align the brackets (#J) to each rail end and footboard/headboard. Insert 4 screws (#I) into each bracket and secure using a Phillips screwdriver.



#H x 8pcs

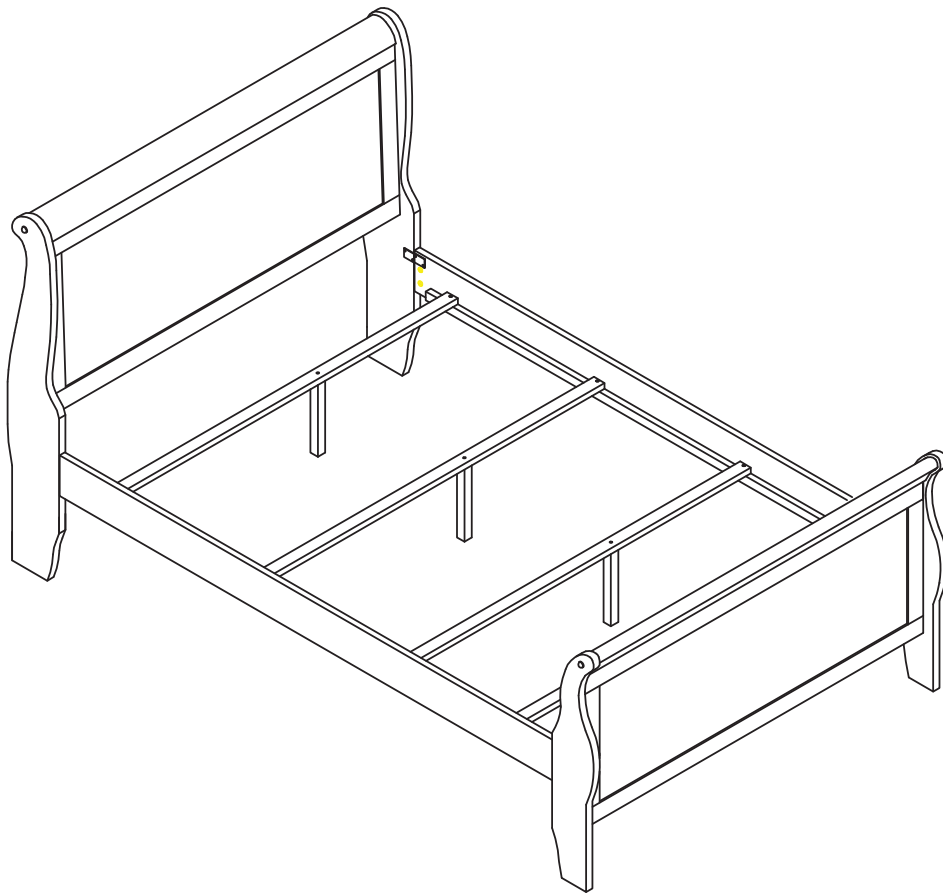
1. Insert the threaded ends of the slat support legs (#9) into the pre-drilled holes along the sides of the slats (#8).

2. Insert a screw (#H) into each end of the slats (#8). Secure using a Phillips screwdriver.



ASSEMBLY IS COMPLETED

Assembly Instructions



ASSEMBLY RATING

The Assembly Rating is a 5-point system that shows the degree of effort needed in assembling a specific product (with 1 being easy and 5 being difficult). For some products, two persons are recommended.

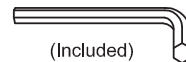
EASY



DIFFICULT

Tools Required For Assembly:

Allen Wrench



(Included)

Phillips Screwdriver



(Not Included)

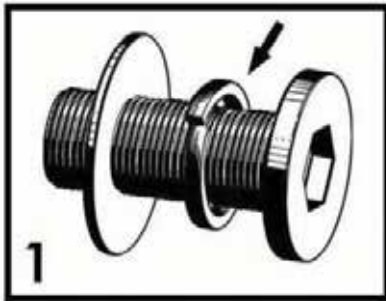


2 PERSONS RECOMMENDED

ASSEMBLY & CARE ADVICE

FOR YOUR FURNITURE TO LAST, CORRECT ASSEMBLY AND PROPER MAINTENANCE ARE NECESSARY. PLEASE FOLLOW THE INFORMATION PROVIDED BELOW TO FULLY ENJOY YOUR FURNITURE.

BASIC ASSEMBLY TECHNIQUES



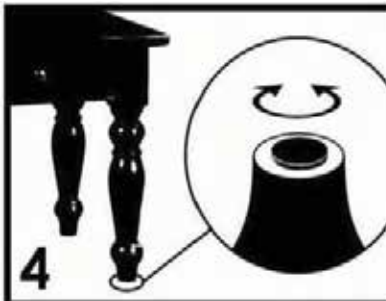
When lock or spring washer is used in an assembly, please make sure the lock or spring washer is placed between the larger flat washer and the head of the screw or bolt.



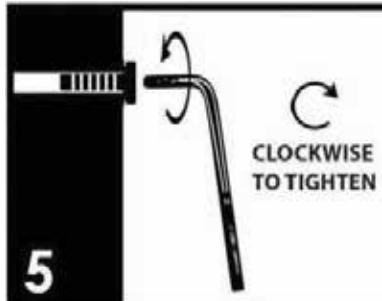
Position each part correctly and insert screws or bolts into their respective holes by hand tighten or using the proper hand tool. Only tighten when step is completed or when instructed to do so.



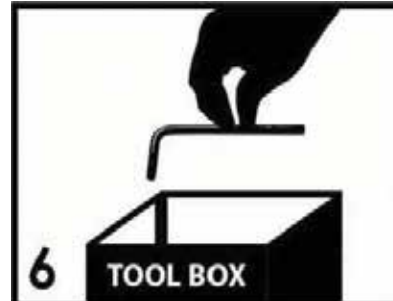
Use cardboard or carpet area when assembling furniture to prevent scratches. Make sure the furniture rests on a flat and level surface with each leg evenly touching the floor.



Some furniture comes with height adjustment knobs underneath each leg. To lower or to raise each leg, you need to turn clockwise or counterclockwise, respectively.



Make sure all parts are properly aligned, then use the appropriate hand tool to completely tighten the bolts or screws. Do not use power tools and do not overtighten.



Save the instructions and store the Allen wrench or any supplied tool for later maintenance. After two weeks, check and tighten any loose hardware and repeat again every six months thereafter.

IT IS THE USER'S RESPONSIBILITY TO MAINTAIN THE FURNITURE. THE HARDWARE MAY LOOSEN OVER TIME AND MAY CAUSE THE FURNITURE TO BE WOBBLY AND UNABLE TO SUPPORT ITS INTENDED WEIGHT CAPACITY. THIS MAY LEAD TO COLLAPSE AND MAY CAUSE SERIOUS INJURY.



FAILURE TO FOLLOW THE GUIDELINES ABOVE MAY RESULT IN INJURY AND/OR PROPERTY DAMAGE.



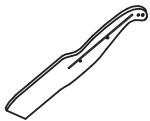
Before you begin, please read Page 2 of "Assembly and Care Advice".

And remember, do not tighten until each step is completed or instructed.

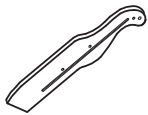
Parts List



#1 x 1pc
Headboard



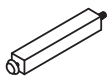
#3 x 1pc
Headboard Leg Left



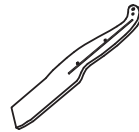
#5 x 1pc
Footboard Leg Right



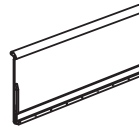
#7 x 2pcs
Side Rail



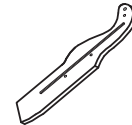
#9 x 4pcs
Slat Support Leg



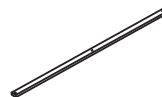
#2 x 1pc
Headboard Leg Right



#4 x 1pc
Footboard



#6 x 1pc
Footboard Leg Left



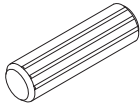
#8 x 4pcs
Slat



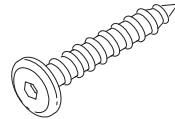
Before you begin, please read Page 2 of "Assembly and Care Advice".

And remember, do not tighten until each step is completed or instructed.

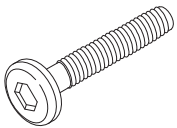
Hardware List



#A x 4pcs
Dowel M10 x 40mm



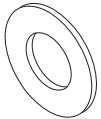
#B x 4pcs
JCBC-W M7 x 40mm



#C x 8pcs
Bolt 1/4" x 1-3/8"



#D x 8pcs
Lock Washer



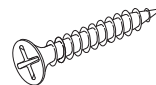
#E x 8pcs
Flat Washer



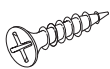
#F x 1pc
Allen Wrench



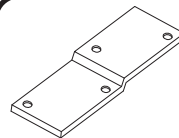
#G x 4pcs
Wood Button Ø15.5



#H x 8pcs
CSK M4 x 32mm



#I x 16pcs
CSK M3.5 x 16mm

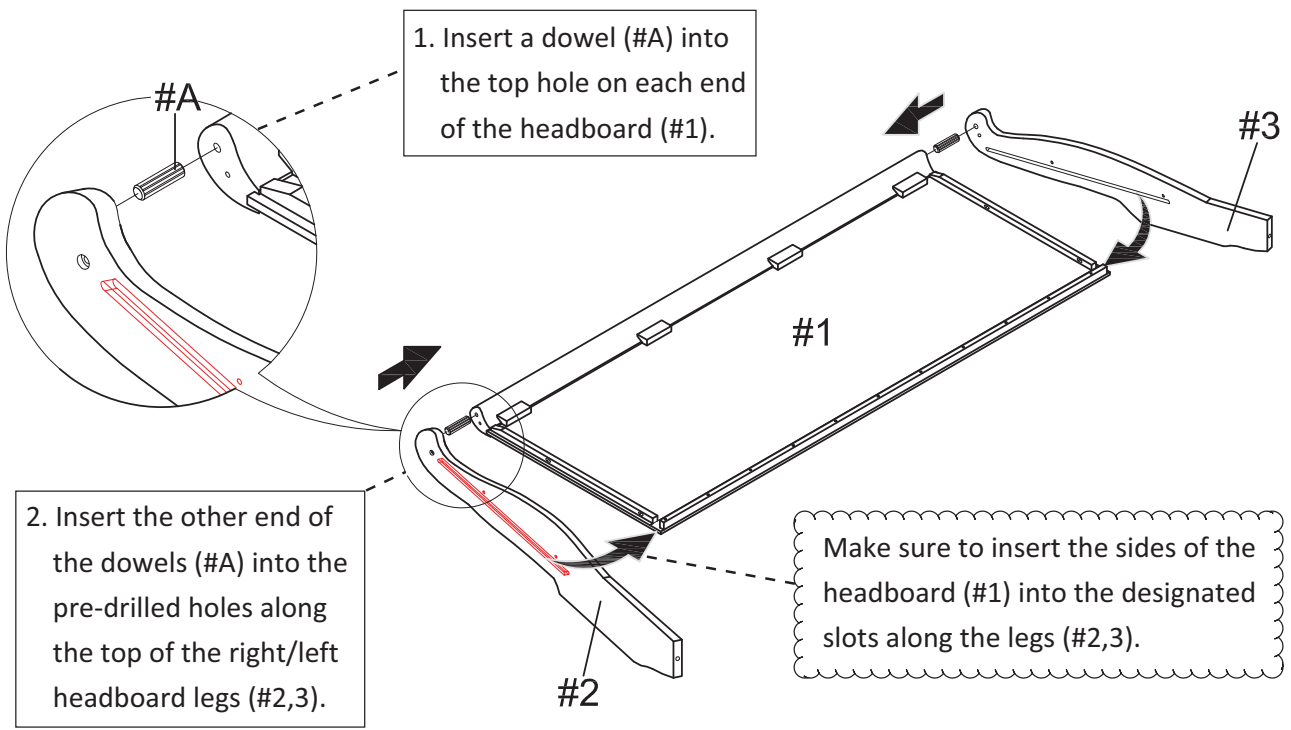


#J x 4pcs
Bracket - Black

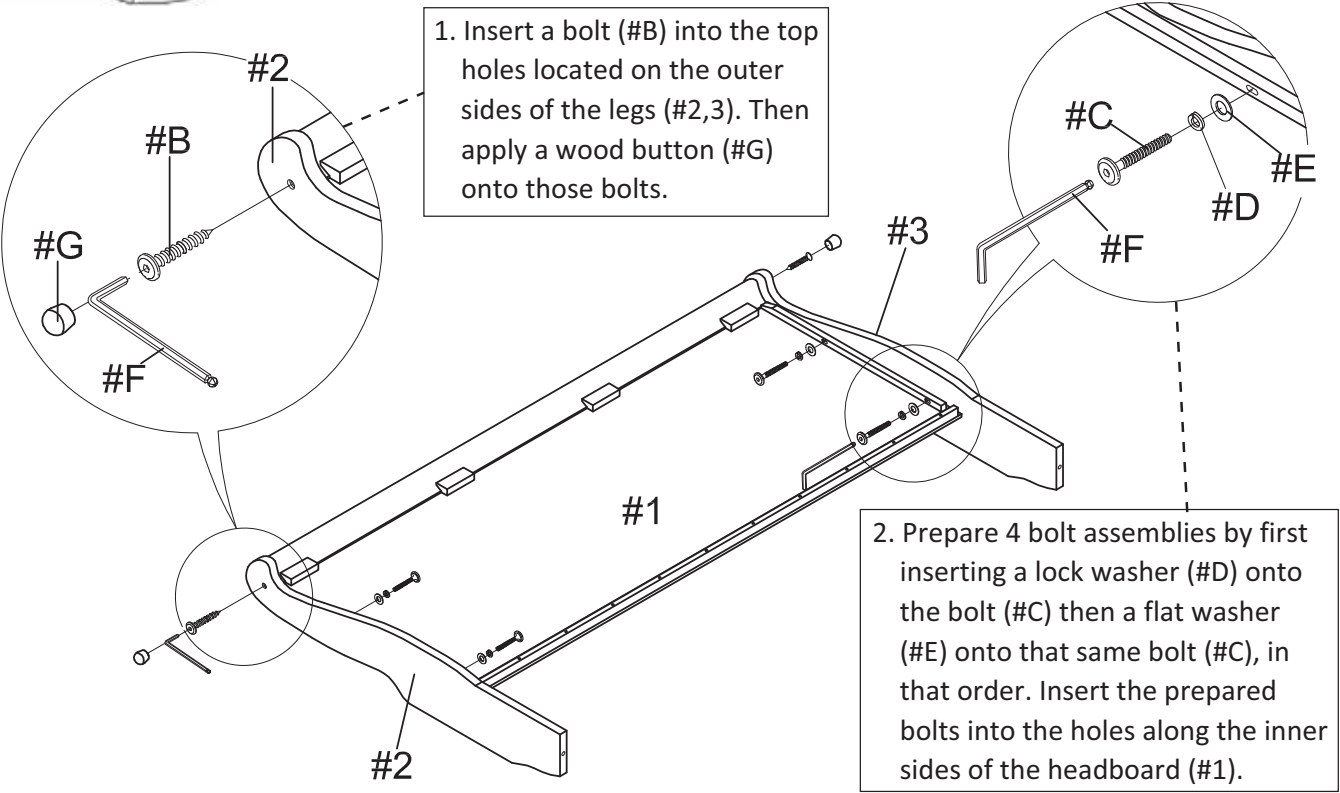


#A x 2pcs

Note: Left and right is determined by facing the front of the headboard in its upright position.



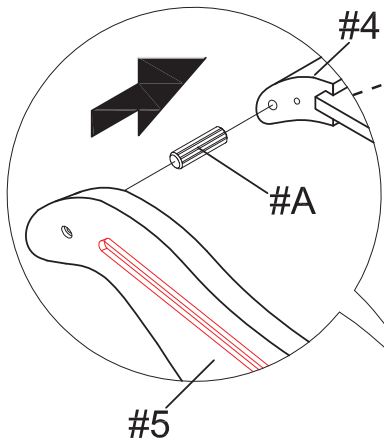
#B x 2pcs
#C x 4pcs
#D x 4pcs
#E x 4pcs
#G x 2pcs



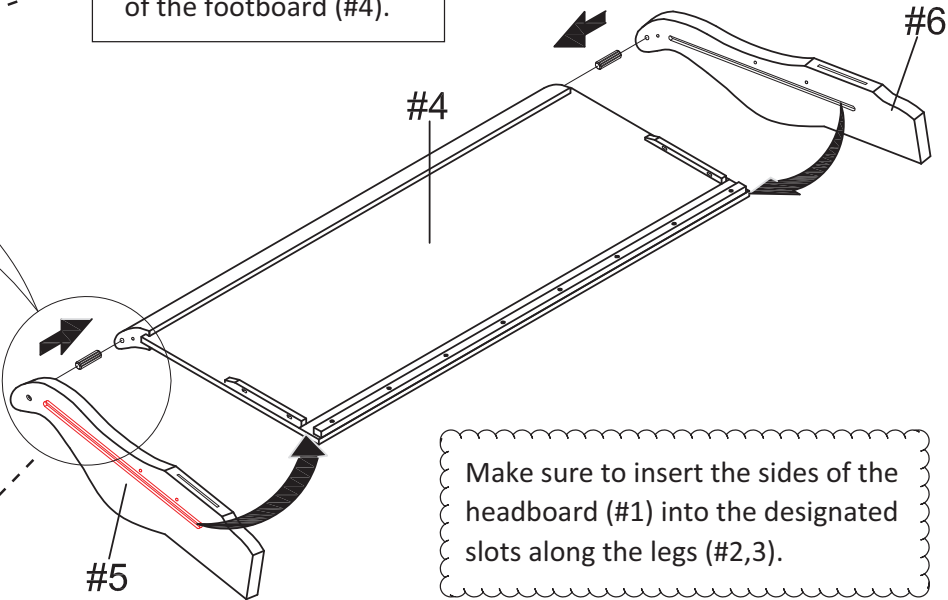


#A x 2pcs

Note: Left and right is determined by facing the front of the footboard in its upright position.



1. Insert a dowel (#A) into the top hole on each end of the footboard (#4).



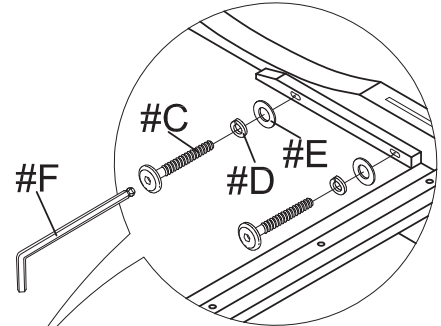
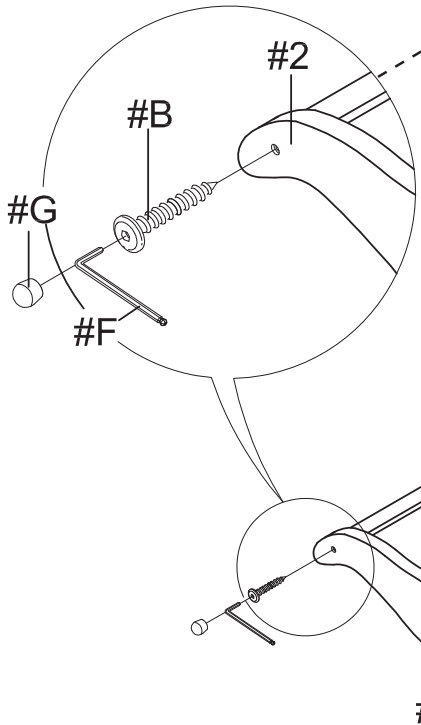
2. Insert the other end of the dowels (#A) into the pre-drilled holes along the top of the right/left footboard legs (#5,6).

Make sure to insert the sides of the headboard (#1) into the designated slots along the legs (#2,3).



#B x 2pcs
#C x 4pcs
#D x 4pcs
#E x 4pcs
#G x 2pcs

1. Insert a bolt (#B) into the top holes located on the outer sides of the legs (#5,6). Then apply a wood button (#G) onto those bolts.



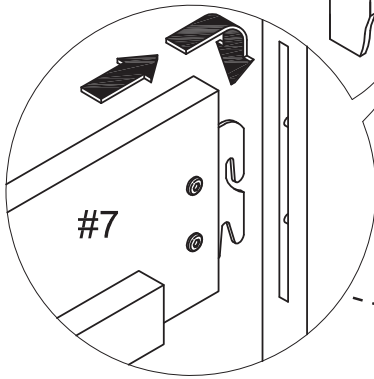
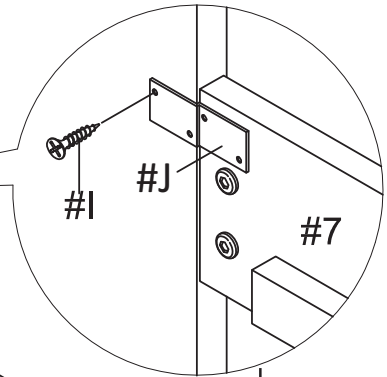
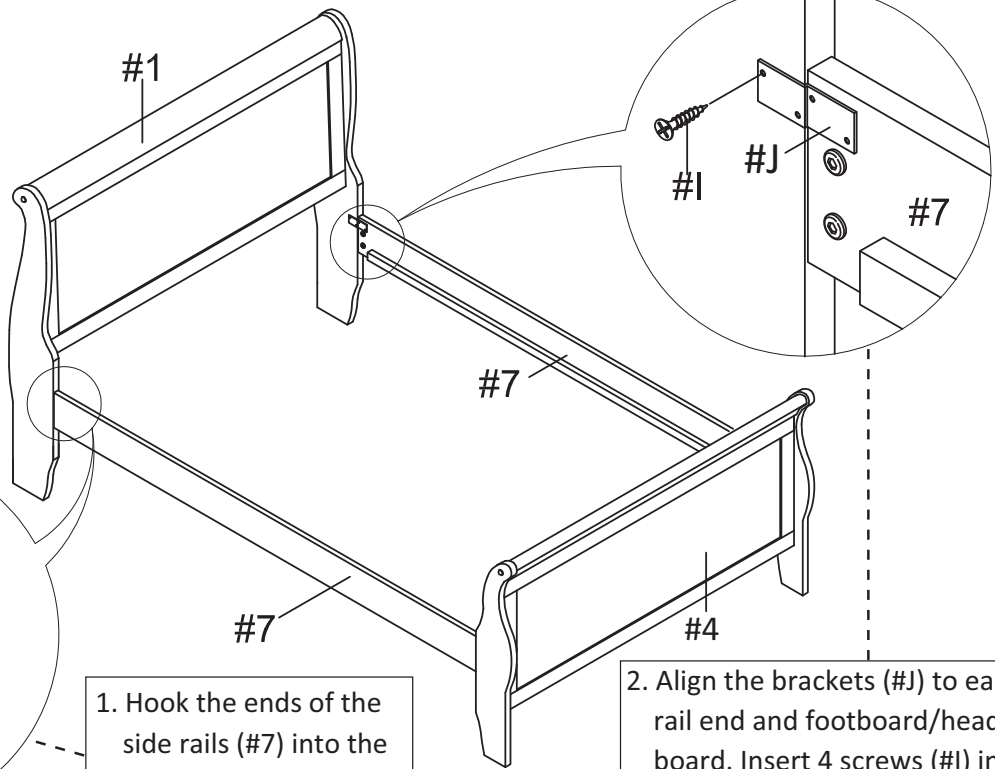
2. Prepare 4 bolt assemblies by first inserting a lock washer (#D) onto the bolt (#C) then a flat washer (#E) onto that same bolt (#C), in that order. Insert the prepared bolts into the holes along the inner sides of the footboard (#4).



#5

#I x 16pcs
#J x 4pcs

5-2



5-1

1. Hook the ends of the side rails (#7) into the slots along the headboard/footboard legs.

2. Align the brackets (#J) to each rail end and footboard/headboard. Insert 4 screws (#I) into each bracket and secure using a Phillips screwdriver.

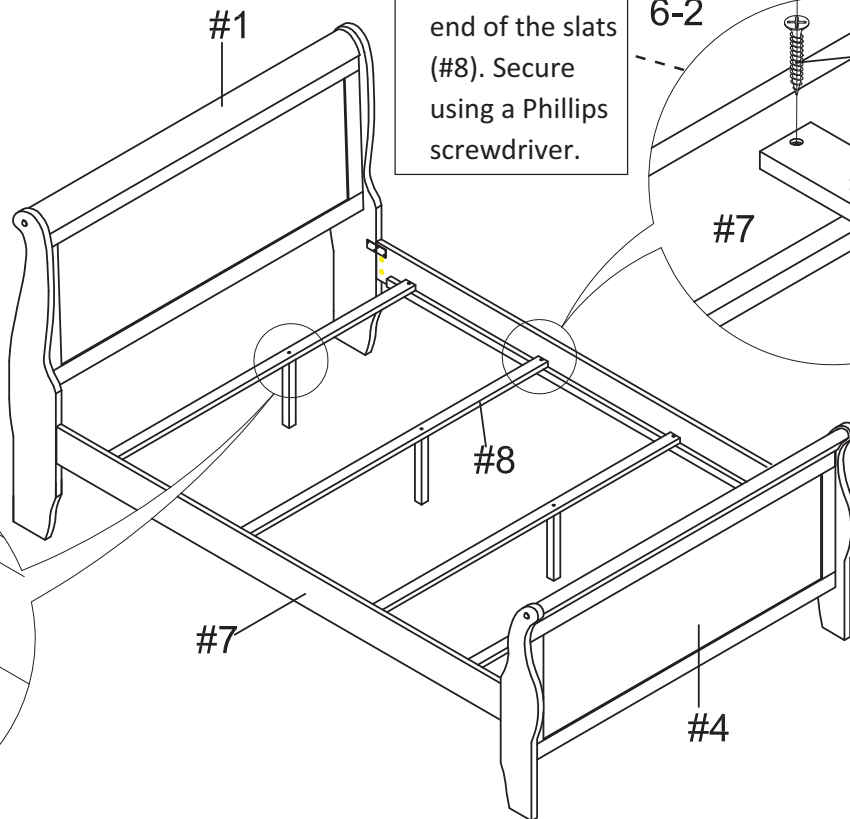


#6

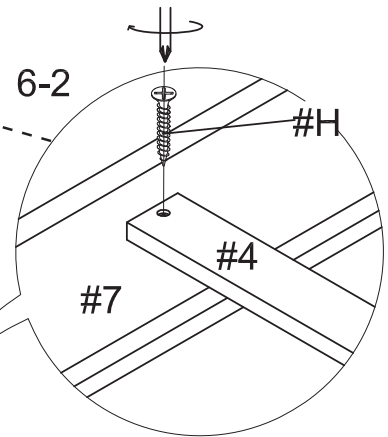
#H x 8pcs

1. Insert the threaded ends of the slat support legs (#9) into the pre-drilled holes along the sides of the slats (#8).

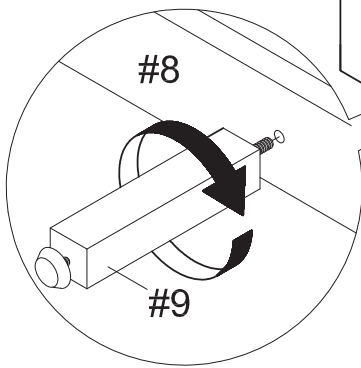
2. Insert a screw (#H) into each end of the slats (#8). Secure using a Phillips screwdriver.



6-2



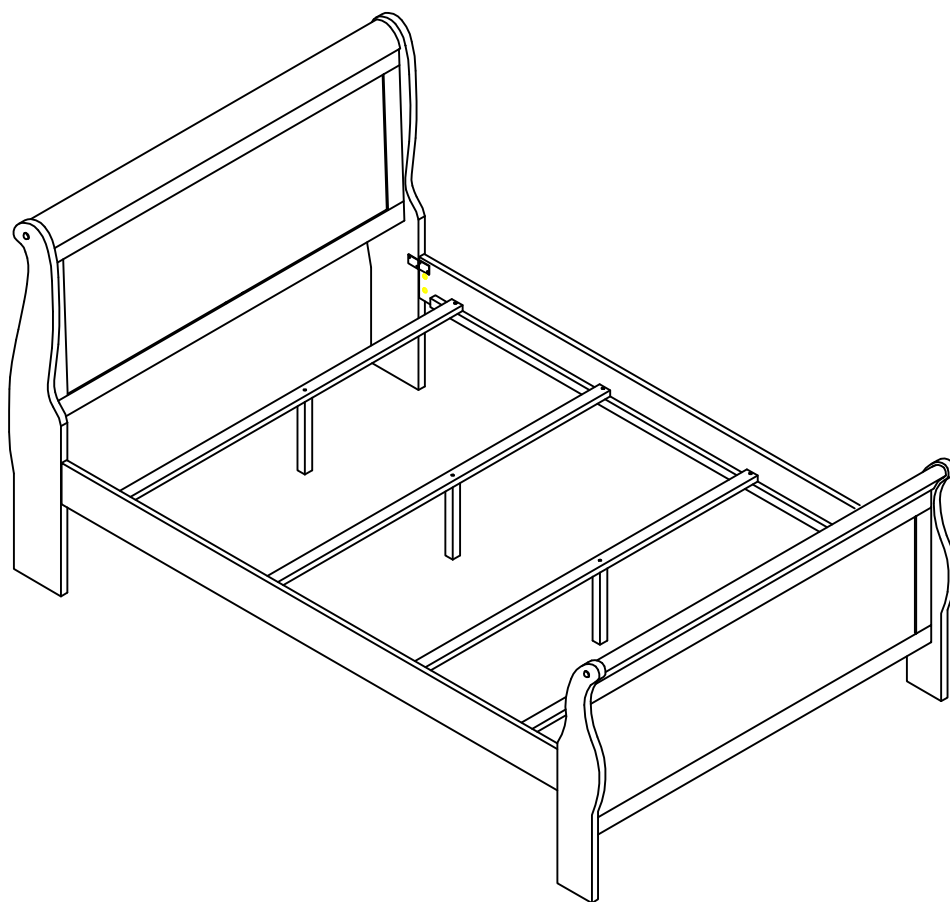
6-1



ASSEMBLY IS COMPLETED

Assembly Instructions

For more information contact our team



ASSEMBLY RATING

The Assembly Rating is a 5-point system that shows the degree of effort needed in assembling a specific product (with 1 being easy and 5 being difficult). For some products, two persons are recommended.

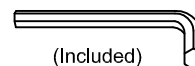
EASY



DIFFICULT

Tools Required For Assembly:

Allen Wrench

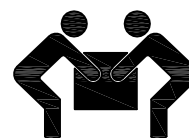


(Included)

Phillips Screwdriver



(Not Included)

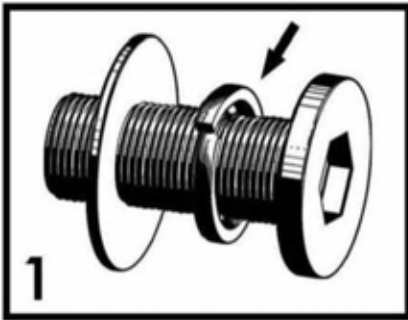


2 PERSONS RECOMMENDED

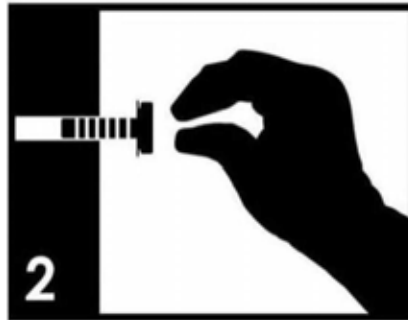
ASSEMBLY & CARE ADVICE

FOR YOUR FURNITURE TO LAST, CORRECT ASSEMBLY AND PROPER MAINTENANCE ARE NECESSARY. PLEASE FOLLOW THE INFORMATION PROVIDED BELOW TO FULLY ENJOY YOUR FURNITURE.

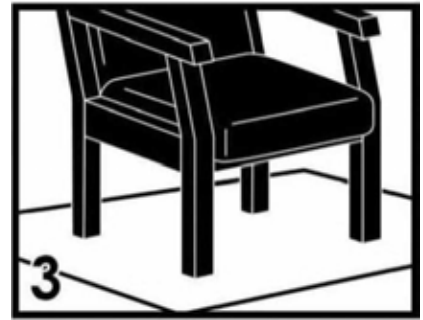
BASIC ASSEMBLY TECHNIQUES



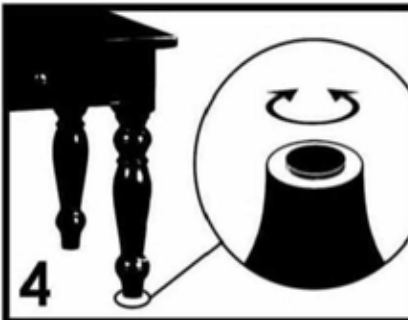
When lock or spring washer is used in an assembly, please make sure the lock or spring washer is placed between the larger flat washer and the head of the screw or bolt.



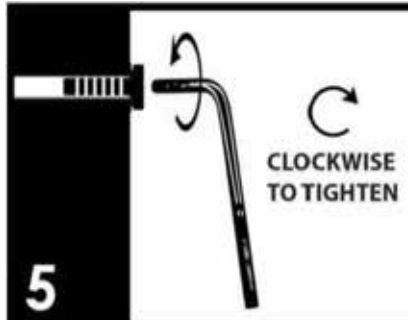
Position each part correctly and insert screws or bolts into their respective holes by hand tighten or using the proper hand tool. Only tighten when step is completed or when instructed to do so.



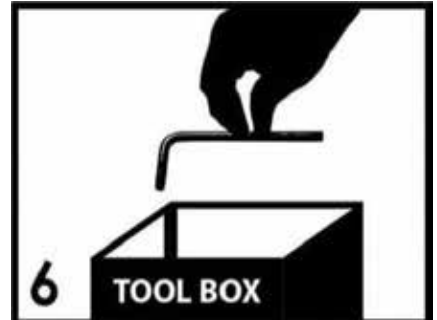
Use cardboard or carpet area when assembling furniture to prevent scratches. Make sure the furniture rests on a flat and level surface with each leg evenly touching the floor.



Some furniture comes with height adjustment knobs underneath each leg. To lower or to raise each leg, you need to turn clockwise or counterclockwise, respectively.

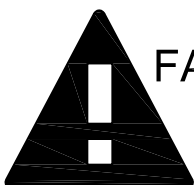


Make sure all parts are properly aligned, then use the appropriate hand tool to completely tighten the bolts or screws. Do not use power tools and do not overtighten.



Save the instructions and store the Allen wrench or any supplied tool for later maintenance. After two weeks, check and tighten any loose hardware and repeat again every six months thereafter.

IT IS THE USER'S RESPONSIBILITY TO MAINTAIN THE FURNITURE. THE HARDWARE MAY LOOSEN OVER TIME AND MAY CAUSE THE FURNITURE TO BE WOBBLY AND UNABLE TO SUPPORT ITS INTENDED WEIGHT CAPACITY. THIS MAY LEAD TO COLLAPSE AND MAY CAUSE SERIOUS INJURY.



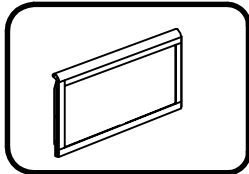
FAILURE TO FOLLOW THE GUIDELINES ABOVE MAY RESULT IN INJURY AND/OR PROPERTY DAMAGE.



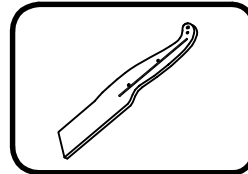
Before you begin, please read Page 2 of "Assembly and Care Advice".

And remember, do not tighten until each step is completed or instructed.

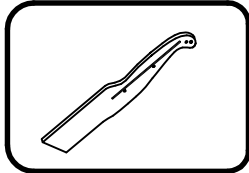
Parts List



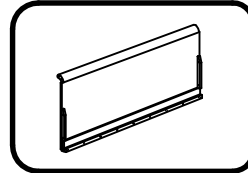
#1 x 1pc
Headboard Panel



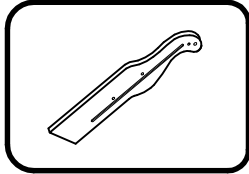
#2 x 1pc
Headboard Leg Right



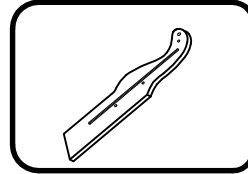
#3 x 1pc
Headboard Leg Left



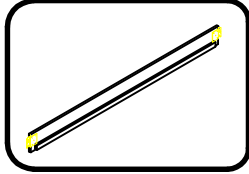
#4 x 1pc
Footboard



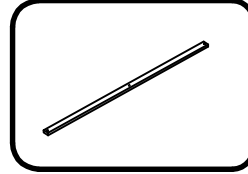
#5 x 1pc
Footboard Leg Right



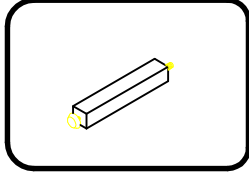
#6 x 1pc
Footboard Leg Left



#7 x 2pcs
Side Rail



#8 x 4pcs
Slat



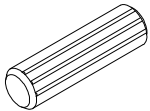
#9 x 4pcs
Slat Support Leg



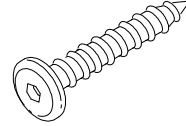
Before you begin, please read Page 2 of "Assembly and Care Advice".

And remember, do not tighten until each step is completed or instructed.

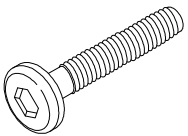
Hardware List



#A x 4pcs
Dowel M10 x 40mm



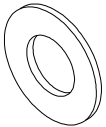
#B x 4pcs
JCBC-W M7 x 40mm



#C x 8pcs
Bolt 1/4" x 1-3/8"



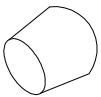
#D x 8pcs
Lock Washer



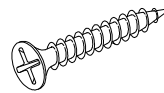
#E x 8pcs
Flat Washer



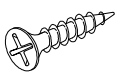
#F x 1pc
Allen Wrench



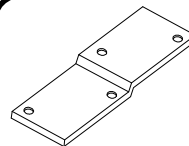
#G x 4pcs
Wood Button Ø14.5



#H x 8pcs
CSK M4 x 32mm



#I x 16pcs
CSK M3.5 x 16mm



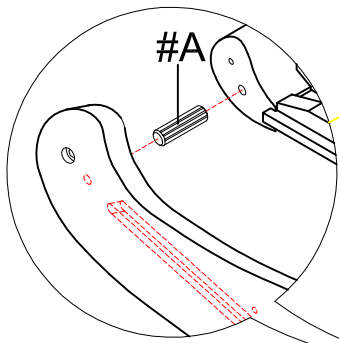
#J x 4pcs
Bracket - Black



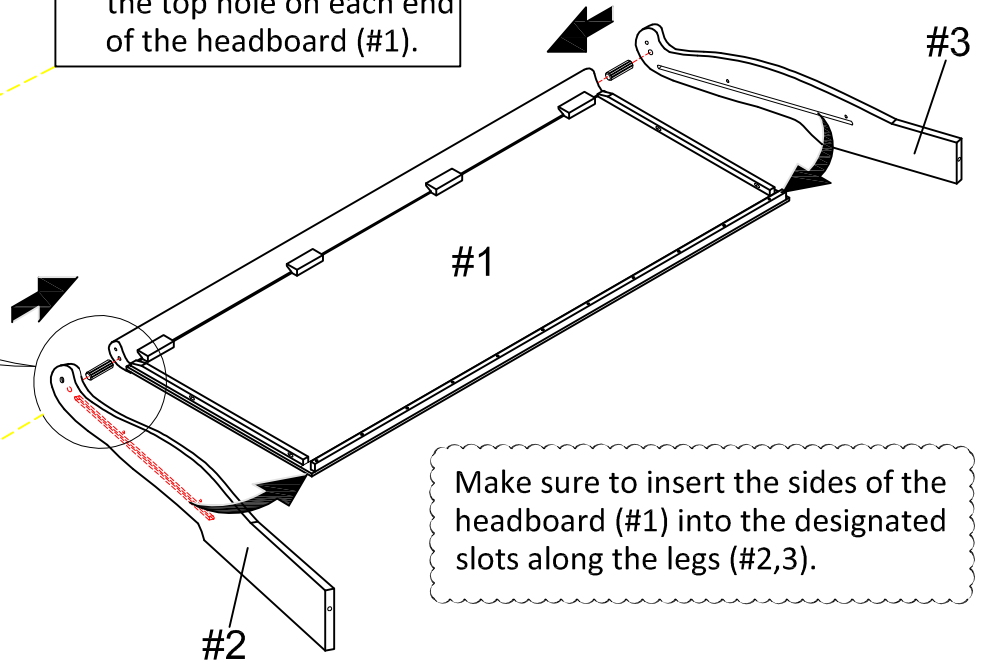
#A x 2pcs

Note: Left and right is determined by facing the front of the headboard in its upright position.

1. Insert a dowel (#A) into the top hole on each end of the headboard (#1).



2. Insert the other end of the dowels (#A) into the pre-drilled holes along the top of the right/left headboard legs (#2,3).

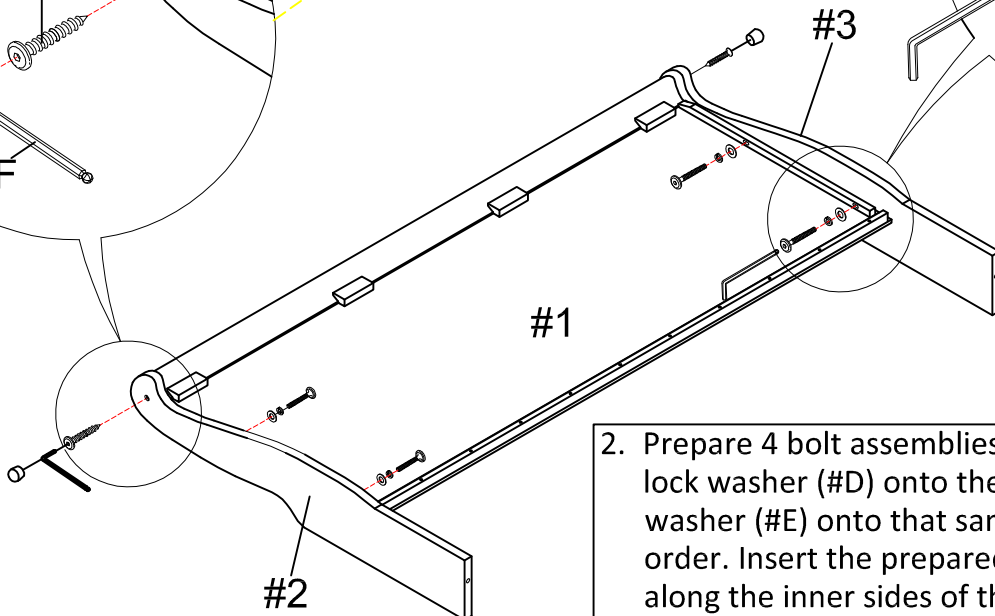
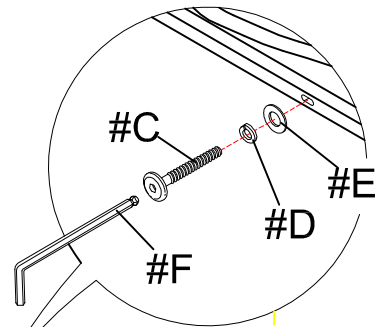
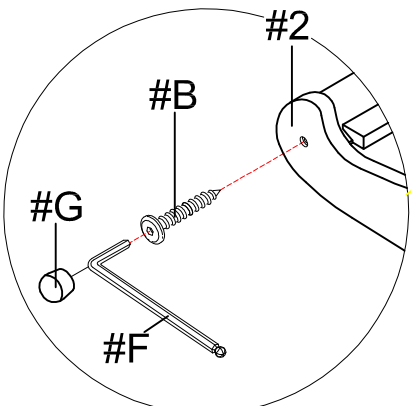


Make sure to insert the sides of the headboard (#1) into the designated slots along the legs (#2,3).



#B x 2pcs
#C x 4pcs
#D x 4pcs
#E x 4pcs
#G x 2pcs

1. Insert a bolt (#B) into the top holes located on the outer sides of the legs (#2,3). Then apply a wood button (#G) onto those bolts.



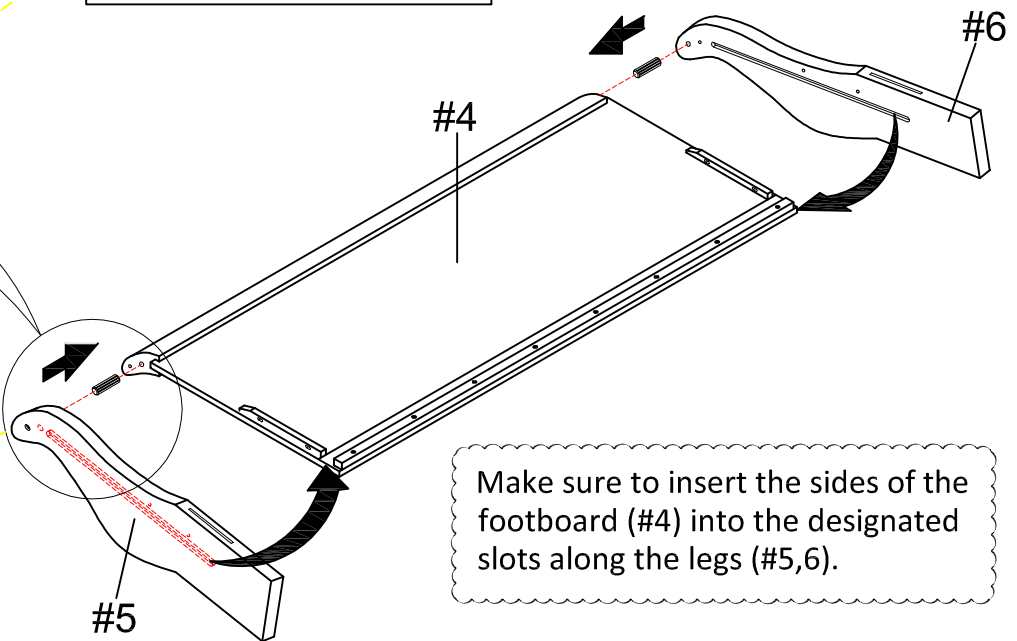
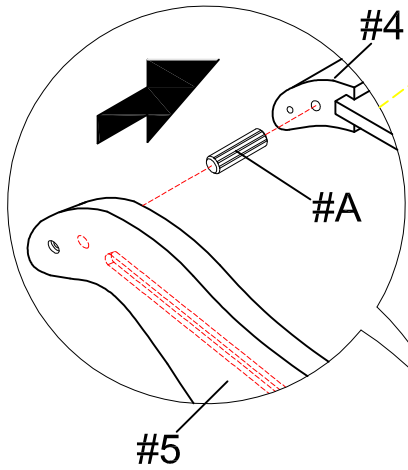
2. Prepare 4 bolt assemblies by first inserting a lock washer (#D) onto the bolt (#C) then a flat washer (#E) onto that same bolt (#C), in that order. Insert the prepared bolts into the holes along the inner sides of the headboard (#1).



#A x 2pcs

Note: Left and right is determined by facing the front of the footboard in its upright position.

1. Insert a dowel (#A) into the top hole on each end of the footboard (#4).



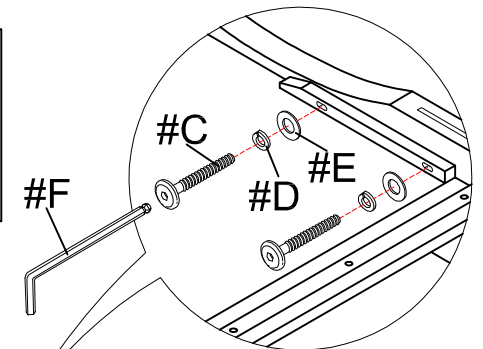
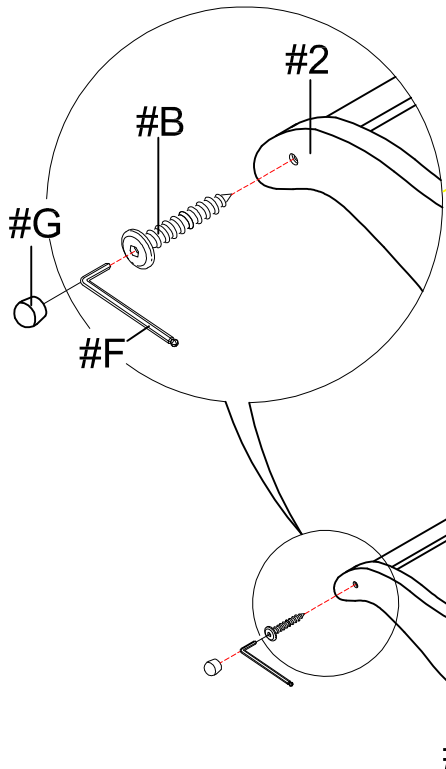
2. Insert the other end of the dowels (#A) into the pre-drilled holes along the top of the right/left footboard legs (#5,6).

Make sure to insert the sides of the footboard (#4) into the designated slots along the legs (#5,6).



#B x 2pcs
#C x 4pcs
#D x 4pcs
#E x 4pcs
#G x 2pcs

1. Insert a bolt (#B) into the top holes located on the outer sides of the legs (#5,6). Then apply a wood button (#G) onto those bolts.



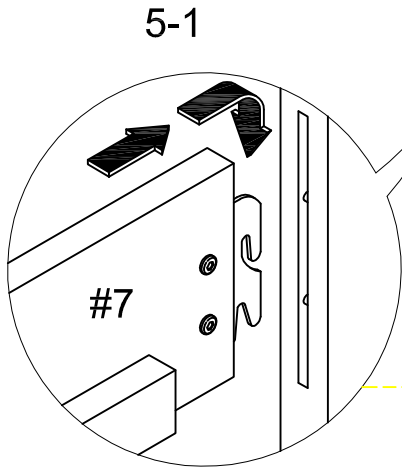
2. Prepare 4 bolt assemblies by first inserting a lock washer (#D) onto the bolt (#C) then a flat washer (#E) onto that same bolt (#C), in that order. Insert the prepared bolts into the holes along the inner sides of the footboard (#4).



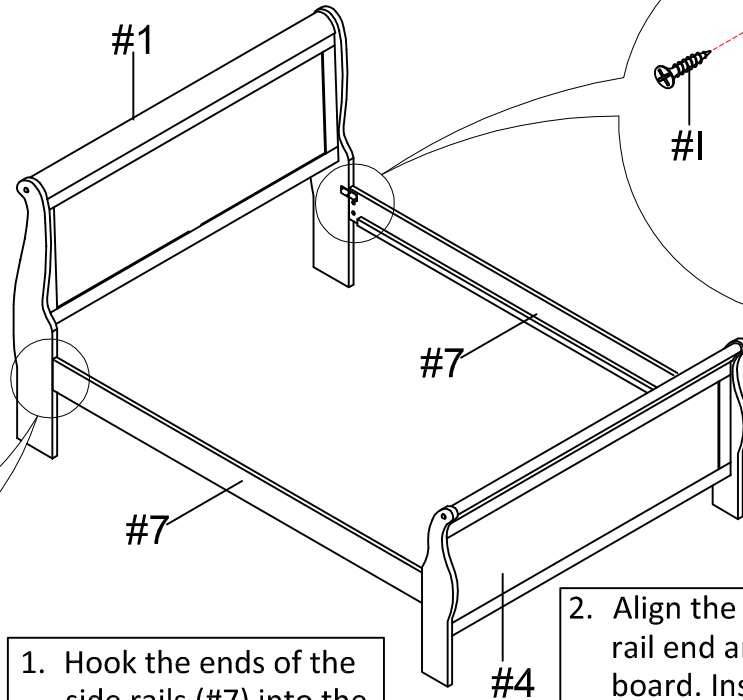
#5

#I x 16pcs
#J x 4pcs

5-2



5-1



1. Hook the ends of the side rails (#7) into the slots along the headboard/footboard legs.

2. Align the brackets (#J) to each rail end and footboard/headboard. Insert 4 screws (#I) into each bracket and secure using a Phillips screwdriver.

6-2

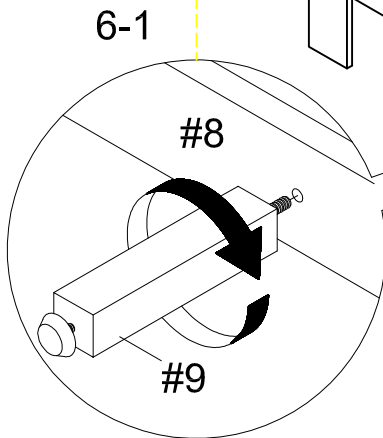


#6

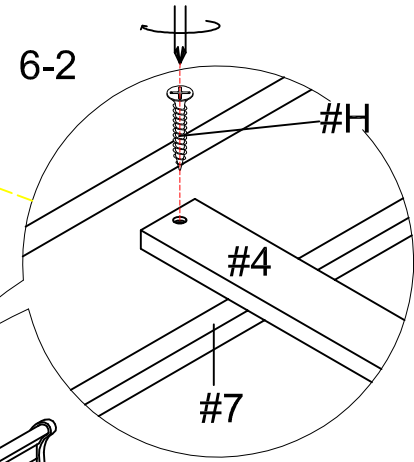
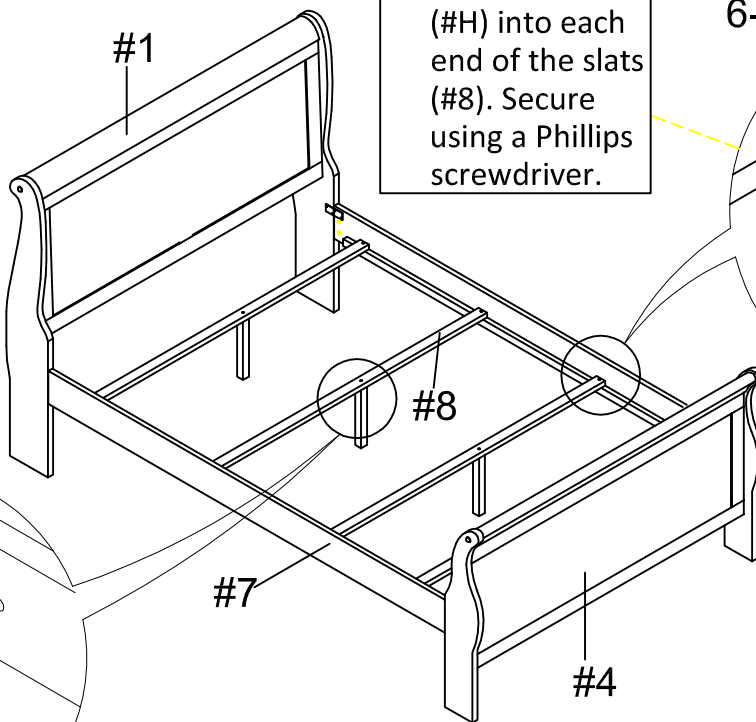
#H x 8pcs

1. Insert the threaded ends of the slat support legs (#9) into the pre-drilled holes along the sides of the slats (#8).

2. Insert a screw (#H) into each end of the slats (#8). Secure using a Phillips screwdriver.



6-1



ASSEMBLY IS COMPLETED