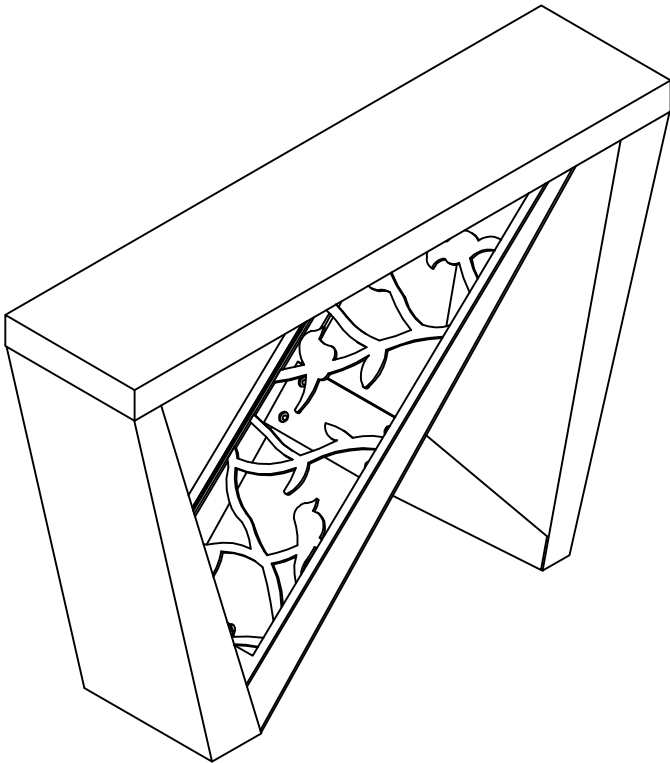
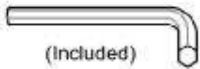


Installation & Assembly



Screwdriver
(Not included)



(Included)
Allen Wrench



2 - People



EASY → DIFFICULT

The Assembly Rating is a 5-point system showing the level of effort needed to assemble a specific product.



CHECK BEFORE STARTING

Are you missing anything?

Double-check all parts, hardware and accessories listed on Page 6 are accounted for.

Check out our Quick Tips!

We recommend reviewing the pre-assembly handouts. Even experts need a refresher now and then!

Should we send any replacements?

Are there any irregularities or flaws in the parts? We can send replacements!

Prep Time!

Please review the assembly instructions and all diagrams prior to assembling. Arrange parts as recommended on Page 7 and group identical hardware together to make assembling easier.

PRE ASSEMBLY INTRODUCTION

We understand building ready-to-assemble furniture can be a challenging experience for some. To help avoid confusion, we have provided some helpful tips that may speed up the process.



Teamwork

ALWAYS have at least two people to help with transporting and assembling the product to avoid potential injury and/or damage.



Suitable Location

Assembling near the area of the intended location is highly recommended.



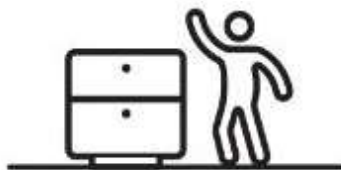
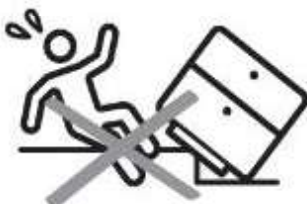
Sufficient Space

Make sure you have enough space to move around during the assembly.



Avoid Scratches

Use cardboard, blankets or a carpeted area while assembling furniture to prevent to prevent scratches and damages.



Flat Surface

Make sure the furniture rests on a flat and level surface with each leg evenly touching the floor.

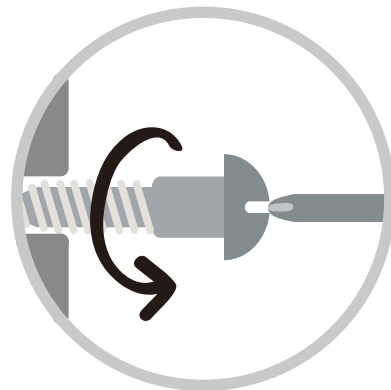
ASSEMBLY AND CARE ADVICE



**FAILURE TO FOLLOW THE GUIDELINES BELOW MAY
RESULT IN INJURY AND/OR PROPERTY DAMAGE.**



Position each part correctly and insert screws or bolts into their respective holes.



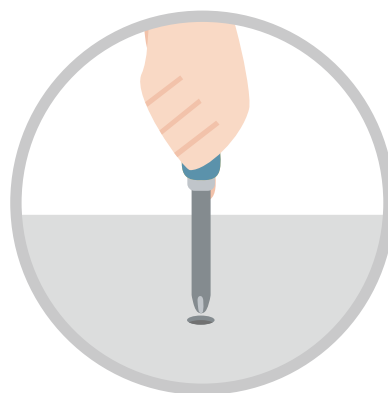
Turn clockwise to tighten and only tighten when step is completed or when instructed to do so.



Use the appropriate hand tools or power tools for assembly. Select steps, such as tightening screws and/or bolts, may require hand tools to avoid causing damage during assembly.



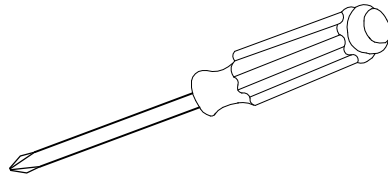
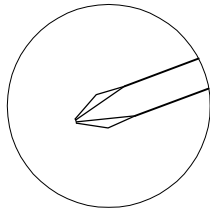
Save the instructions and store any supplied tools for later maintenance.



After two weeks, check and tighten any loose hardware and repeat again every six months thereafter.

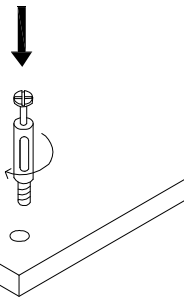
IT IS THE USER'S RESPONSIBILITY TO MAINTAIN THE FURNITURE. THE HARDWARE MAY LOOSEN OVER TIME AND MAY CAUSE THE FURNITURE TO BE WOBBLY AND UNABLE TO SUPPORT ITS INTENDED WEIGHT CAPACITY. THIS MAY LEAD TO COLLAPSE AND MAY CAUSE SERIOUS INJURY.

CAMLOCK FASTENER ASSEMBLY INSTRUCTIONS



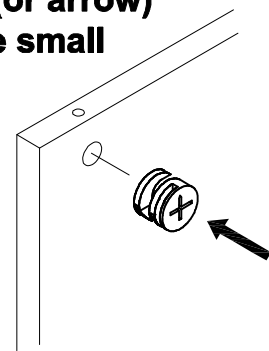
Note: Every cam lock bolt must have a cam lock connector in order to fasten the parts together.

- (1) **Secure the threaded end of the cam bolt by using a screwdriver.**

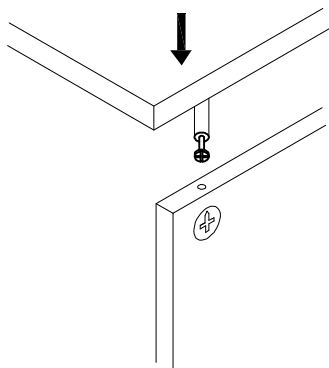


Turn right (clockwise) to tighten.

Align the cam connector with its side opening (or arrow) pointing to the small drilled hole.



(2)

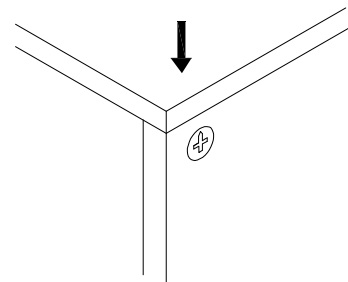


Insert the cam lock bolt into the pre-drilled hole above the cam connector.

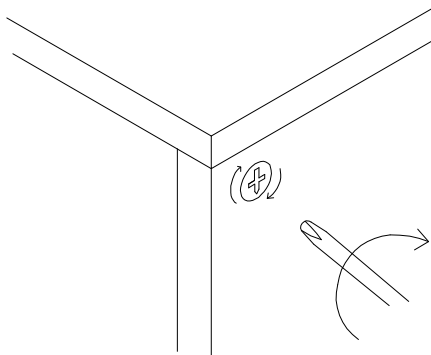


(3)

Two parts should fit snugly against each other.



(4)



Turn right (clockwise) to tighten.

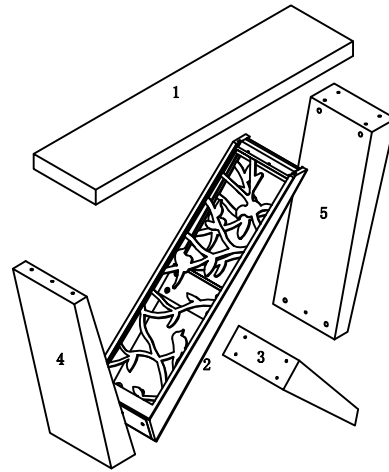
Turn the cam connector with a screwdriver until it will not turn any more with light to moderate force.



CONSOLE

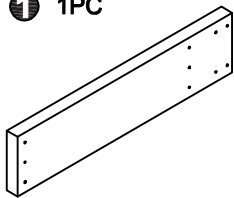


- Please keep instructions for future reference.
- Check the quantity and irregularity of parts and hardware before you start.



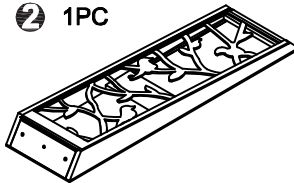
PARTS

① 1PC



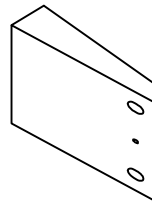
TOP

② 1PC



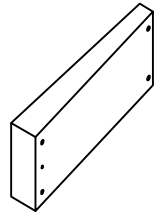
MIDDLE CRUS LONGUS

③ 1PC



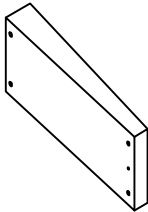
MIDDLE CRUS SHORT

④ 1PC



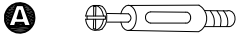
LEFT LEG

⑤ 1PC



RIGHT LEG

HARDWARE



A
CAMBOLT
L29 4PCS



B
CAMLOCK L
Ø15 4PCS



C
DOWEL
Ø8X25 5PCS



D
STICKER
Ø22 4PCS



E
SMALL SCREW
Ø4X35 2PCS



F
WOOD SCREW
Ø7X48 6PCS



G
GASKET
Ø8X16 8PCS



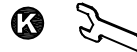
H
FULL TOOTH SCREW
Ø8X60 2PCS



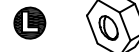
I
SEMICIRCLE
Ø8 2PCS



J
BIG STICKER
Ø45 2PCS



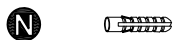
K
WRENCH
M13 1PC



L
NUT
M8 2PCS



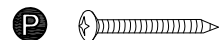
M
STARP
197X5X1 1PC



N
DRYWALL ANCHOR
Ø8X40 1PC



O
METAL BRACKETS
12X12X1 2PCS



P
DRYWALL SCREW
Ø5X40 1PC

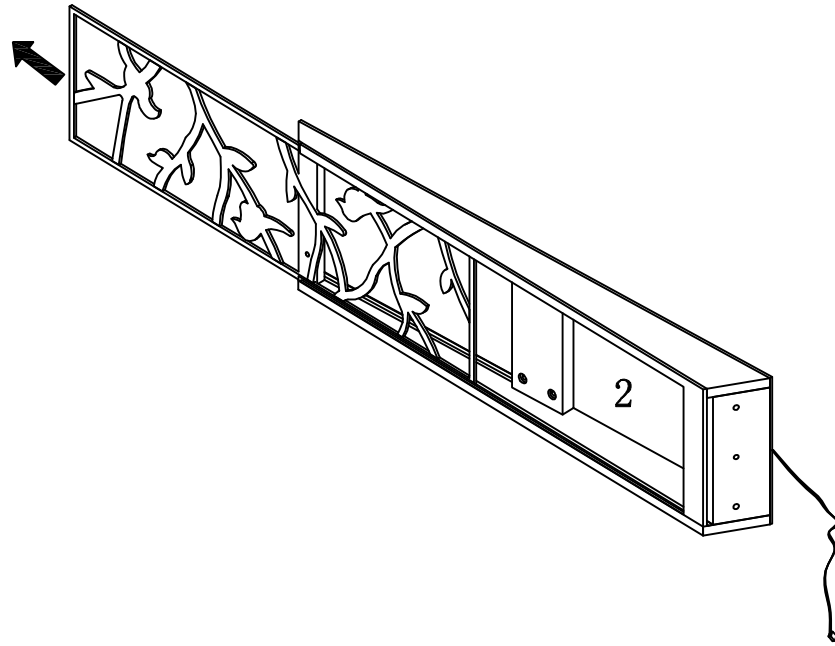
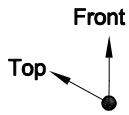


Q
FLATHEAD SCREW
Ø4X25 1PC

ASSEMBLY INSTRUCTIONS

1

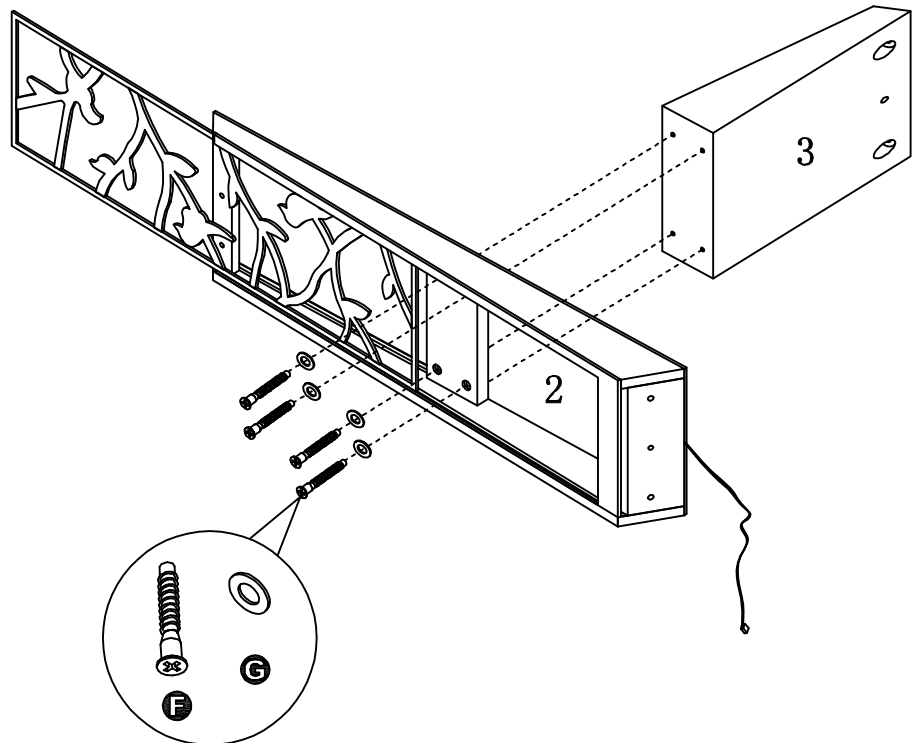
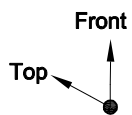
HARDWARE



2








HARDWARE **F** X 4PCS

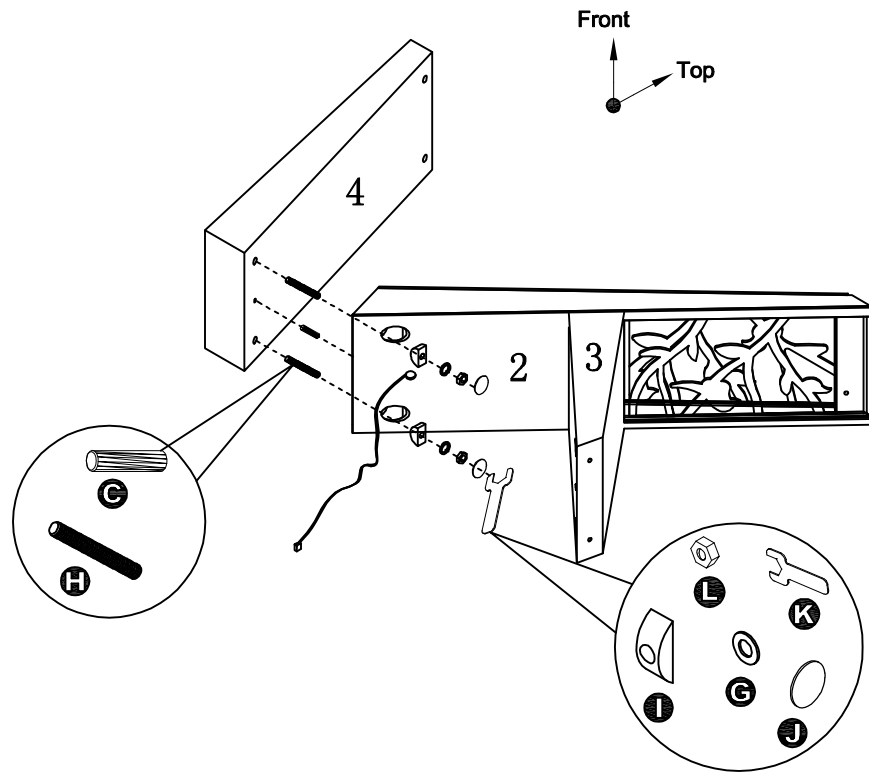
HARDWARE **G** X 4PCS



ASSEMBLY INSTRUCTIONS

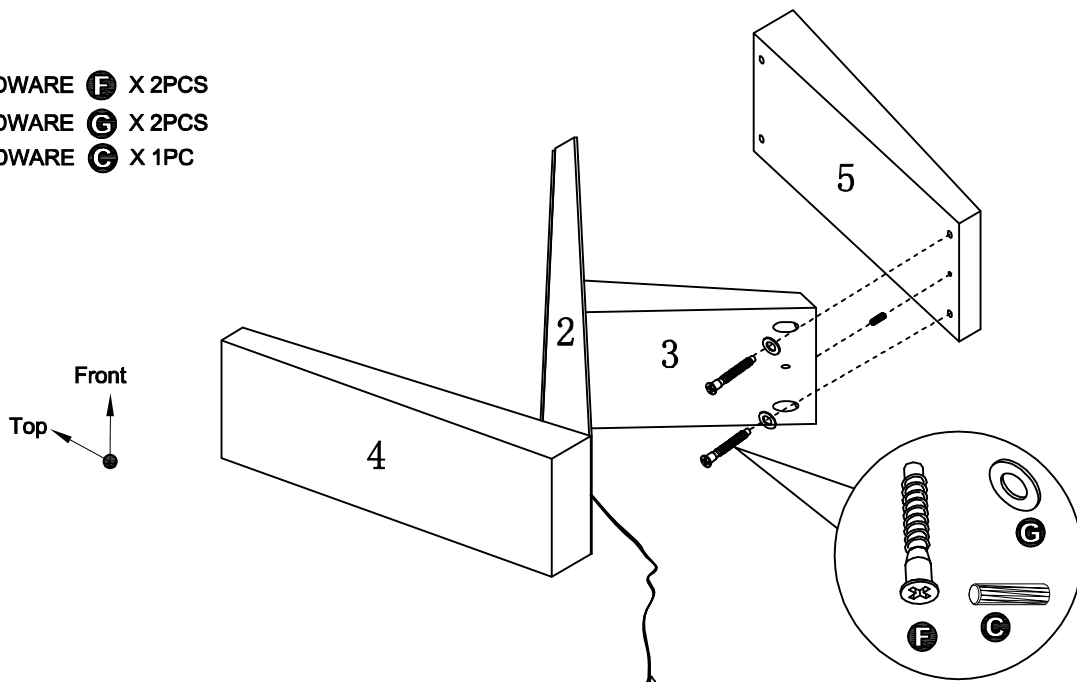
3

- HARDWARE  X 1PC
- HARDWARE  X 2PCS
- HARDWARE  X 2PCS
- HARDWARE  X 2PCS
- HARDWARE  X 2PCS
- HARDWARE  X 2PCS
- HARDWARE  X 1PC



4

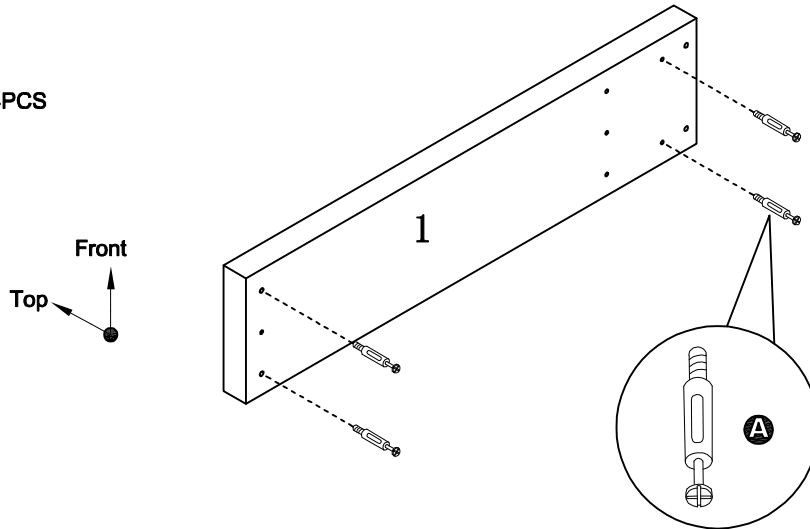
- HARDWARE  X 2PCS
- HARDWARE  X 2PCS
- HARDWARE  X 1PC



ASSEMBLY INSTRUCTIONS

5

HARDWARE **A** X 4PCS

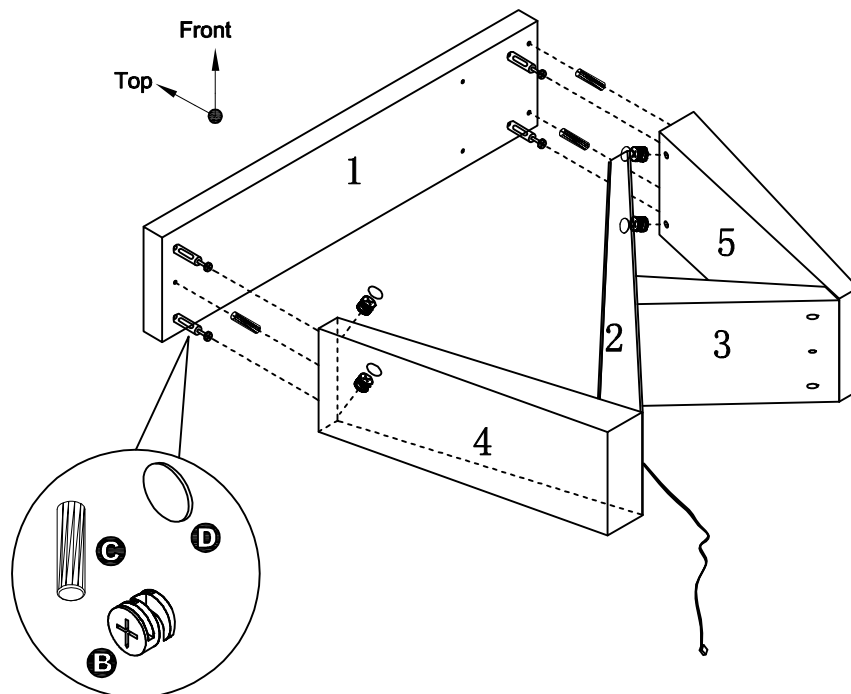


6

HARDWARE **B** X 4PCS

HARDWARE **C** X 3PCS

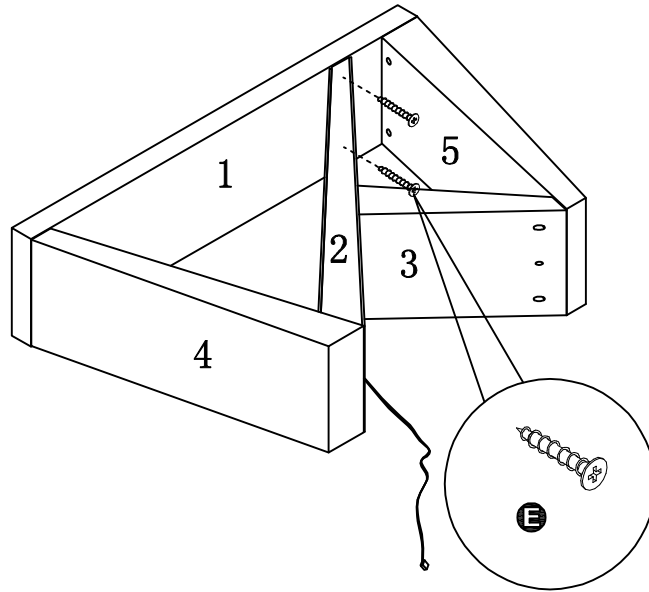
HARDWARE **D** X 4PCS



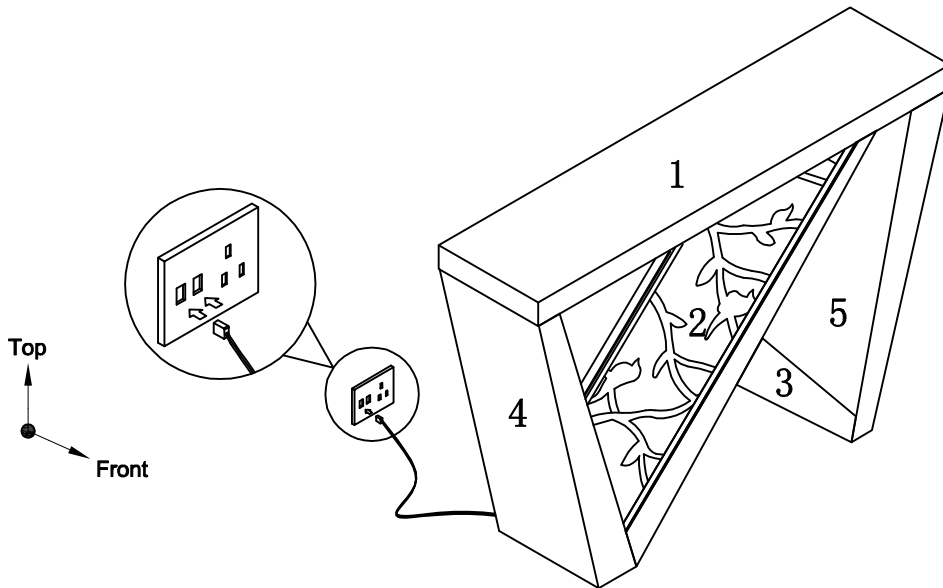
ASSEMBLY INSTRUCTIONS

7

HARDWARE **E** X 2PCS








8



ASSEMBLY INSTRUCTIONS

9

- HARDWARE  X 1PC
- HARDWARE  X 1PC
- HARDWARE  X 2PCS
- HARDWARE  X 1PC
- HARDWARE  X 1PC

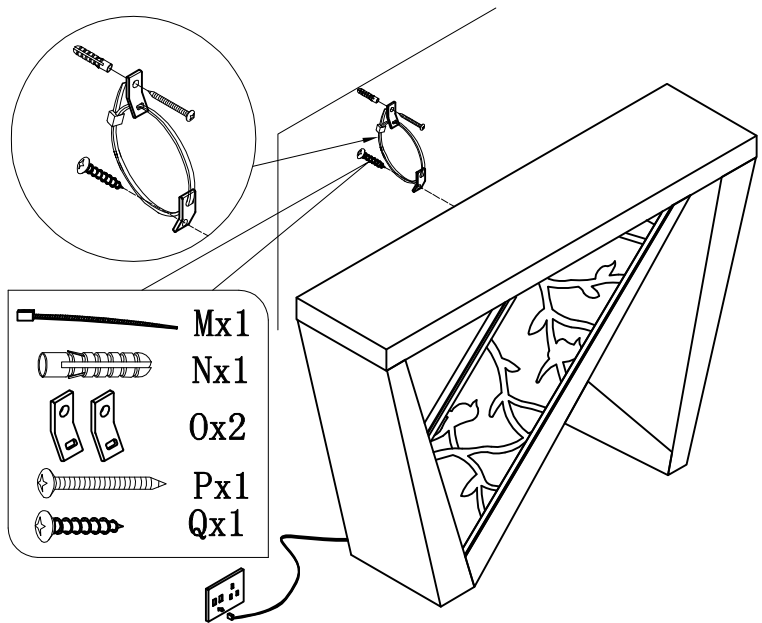
SAFETY STRAP TO PREVENT TIP-OVER

SAFETY STRAP TO PREVENT TIP-OVER

Drywall: Select a location where you want the table to be mounted. Place the assembled table against the wall and, on the wall, mark the location where the anchor will be placed. Drill a hole slightly smaller than the size of the screw. Push the anchor as far as it will go with your finger. Tap gently with a hammer until the anchor is flush with the wall surface. Secure the strap using a Phillips screwdriver to tighten the screw through the strap and into the anchor. On the other end of the strap, secure it using a Phillips screwdriver to tighten the screw through the strap and into the back of the table.

If the location happens to be a wood stud, do the following:

No anchor will be needed if securing to a wood stud. Drill a hole slightly smaller than the size of the screw. Secure the strap using a Phillips screwdriver to tighten the screw through the strap and into the wall (wood stud). On the other end of the strap, secure it using a Phillips screwdriver to tighten the screw through the strap and into the back of the table.



Before strapping, make sure the table is rested on a flat surface and does not feel loose or wobbly. If it does, double check that the bolts/screws are secured and properly tightened.

ASSEMBLY IS COMPLETED

RGB Controller Specification

Product Profile:

ON
Press the ON button to turn on the light.

OFF
Press the OFF button to turn off the light.

Static Color Shortcut
Each button is assign to a color, press the button to select your desire color.

Increase
Press the increase button to increase brightness in static color mode.
Press the increase button to increase effect speed in light effect mode.

Decrease
Press the decrease button to decrease brightness in static color mode.
Press the decrease button to decrease effect speed in light effect mode.

Flash 7
Press the button to enable spectrum cycle mode.
The colors will cycle between red, green blue, orange, cyan, violet, and white.

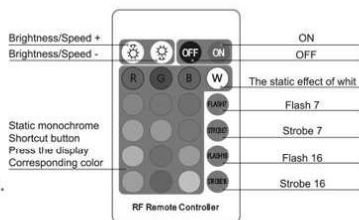
Strobe 7
Press the button to enable color breathing mode.
The colors will cycle between red, green blue, orange, cyan, violet, and white.

Flash 16
Press the button to enable spectrum cycle mode.
The colors will cycle between all 16 colors.

Strobe 16
Press the button to enable color breathing mode.
The colors will cycle between all 16 colors.

USER INSTRUCTION (REMOTE CONTROL)

Instructions for the use of remote control keys:



RGB Controller Specification

Technical parameters:

Working temperature: -20°C-60°C (-4°F-76°F)

Power supply voltage: DC5-24V

Output: 3 Loops

Connection mode: Gongyang

Remote control distance: 8-15 meters

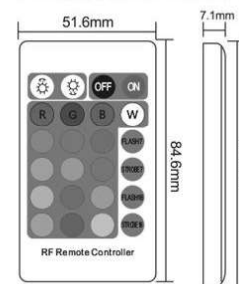
Remote control mode: walkable

The size of remote controller: L51.6 * W7.1 * H84.6mm

Static power consumption: <0.5W

Output current: <3A(each circuit) 5V<30W 12V<108 24V<216W

Fourth, remote control size:



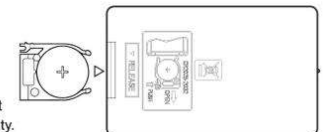
V. Typical Applications



Install / Replace Battery

The remote control is provided with CR2025 batteries.

1. Press and slide of the back cover from the remote control.
2. Insert CR2025 batteries into the battery compartment and make sure to install batteries in the correct polarity.
3. The negative end of the battery should be install against the spring inside the battery compartment.



⚠ CAUTION /WARNING

- Dispose old / used battery at a suitable recycling point or according to local regulations.
- DO NOT ingest battery. If accidentally swallowed, seek for medical help immediately.