












# Assembly Instructions

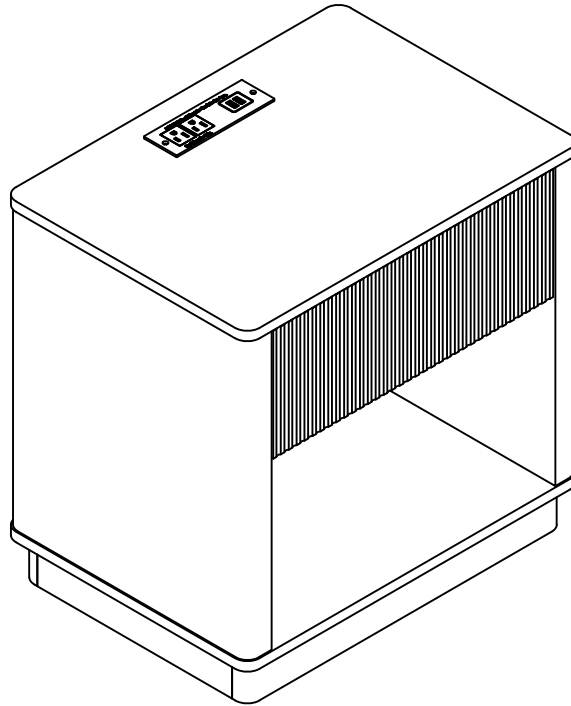
**Caution : You must read this before you proceed**

## **Care & Maintenance**

- ⊘  ● Not for commercial use. For residential use only.
  - ✓  ● Furniture may scratch floors. We recommend using furniture pads to protect your floors.
  - ⊘  ● Do not put hot items directly on furniture surface.
  - ⊘  ● Do not clean furniture with harsh cleansers or polish.
  - ⊘  ● Do not place furniture under direct sunlight.
  - ⊘  ● Do not place furniture near heating or cooling vents.
  - ⊘  ● Do not write on furniture without a padded barrier to protect the surface.
  - ⊘  ● Do not place furniture outside . For indoor use only.
  - ⊘  ● Stains may be removed with mild soap solution and damp cloth.
  - ⊘  ● Children should not climb or jump on the furniture.
- ✓  ● Dust and pick-up spills using a clean, non-colored, lint-free cloth.

Please look in carton for hardware packs and legs.  
Sets often ship in multiple boxes and may arrive a day or two apart.

# TABLE

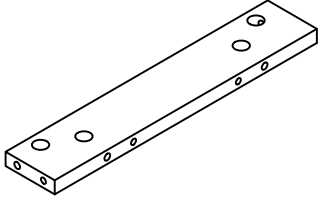
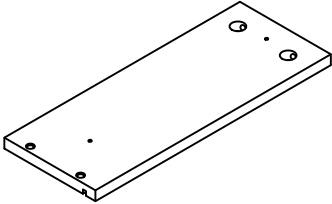
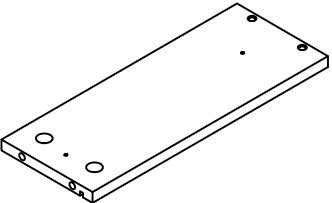
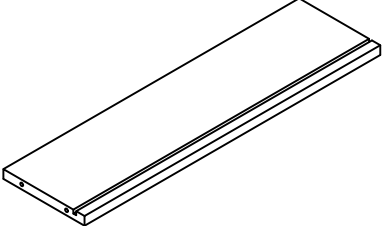
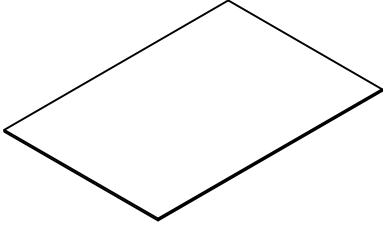
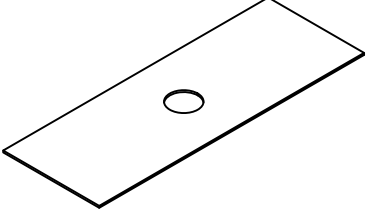
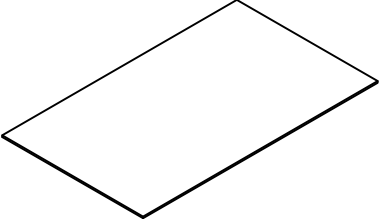


**CAUTION :** This Table is NOT a TOY. Keep your child / children at bay in the process of assembly.  
For turning the Table and to prevent damage to the Table, 02 persons may be needed to executethis action.

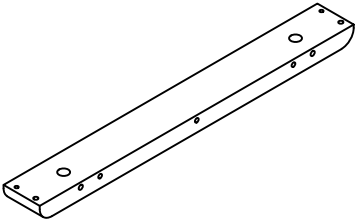
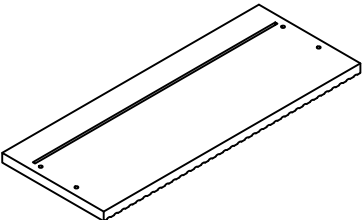
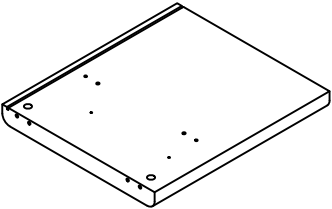
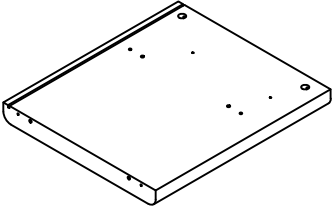
## Parts List

Label	Picture	Description	QTY
①		Panel	1
②		Base Plate	1
③		Deck Plate	1

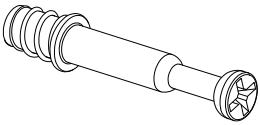
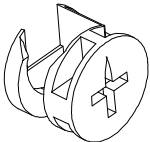

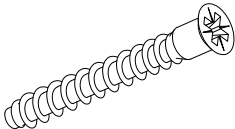
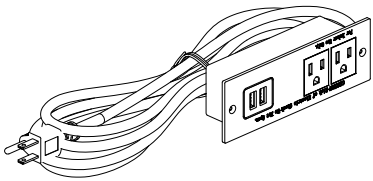
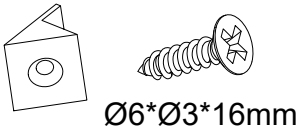
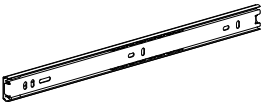
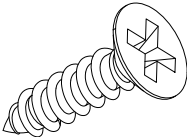
# Parts List

Label	Picture	Description	QTY
4		Leg	2
5		Drawer Left Panel	1
6		Drawer Right Panel	1
7		Drawer Back Panel	1
8		Drawer Bottom Plate	1
9		Upper Back Panel	1
10		Below Back Panel	1

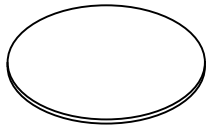
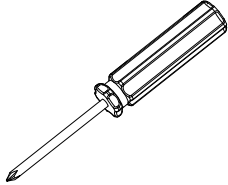
# Parts List

Label	Picture	Description	QTY
11		Leg	2
12		Drawer Front Panel	1
13		Left Side Panel	1
14		Right Side Panel	1

# Hardware

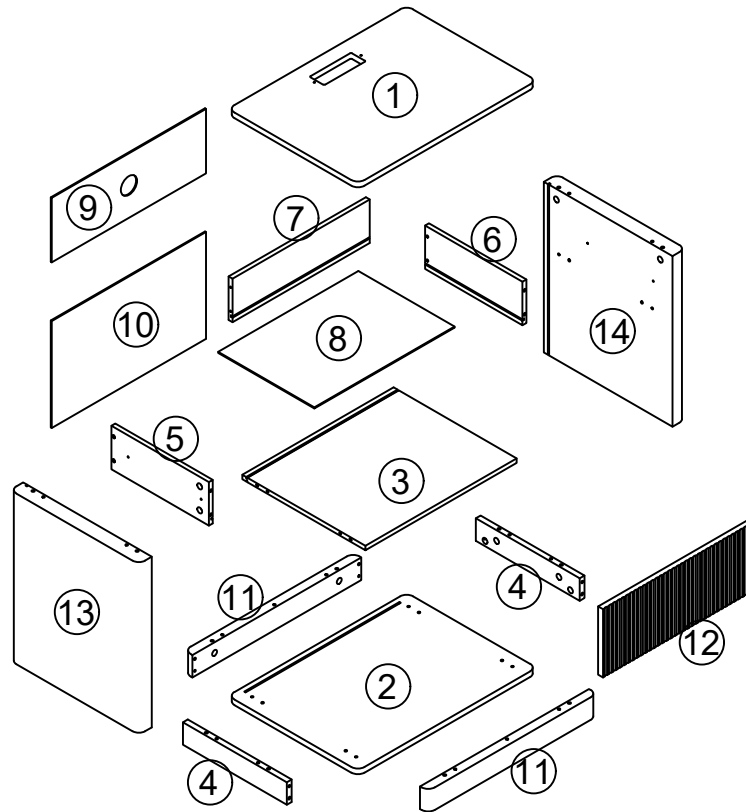
Label	Picture	Description	QTY
A		Cam Bolt (Ø6x35mm)	26
B		Cam Nut (Ø15x10mm)	26
C		Dowel (Ø6x30mm)	28
D		Screw (Ø5x38mm)	9
E		Socket	1
F	 Ø6*Ø3*16mm	Backplate Buckle Screw(Ø6xØ3x16mm)	9
G		Sliding Rails (L=285mm)	2
H		Screw (Ø7xØ3.5x12mm)	14

# Hardware

Label	Picture	Description	QTY
I		Pad (Ø20mm)	16
J		Screwdriver	1

# Assembly Preparation

Before  
Beginning  
Assembly:



- Read instructions, cover to cover-



- Have 2 adults on hand for assembly-



- Do not assemble on flooring or carpet-



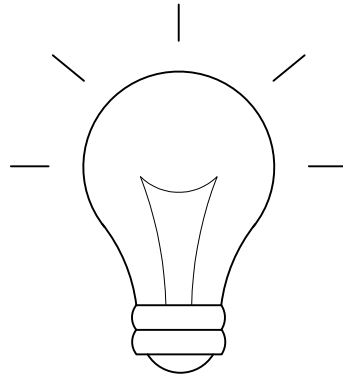
- Assemble on a clean non-marring surface (packing foam)-



- Save all packaging until finished-

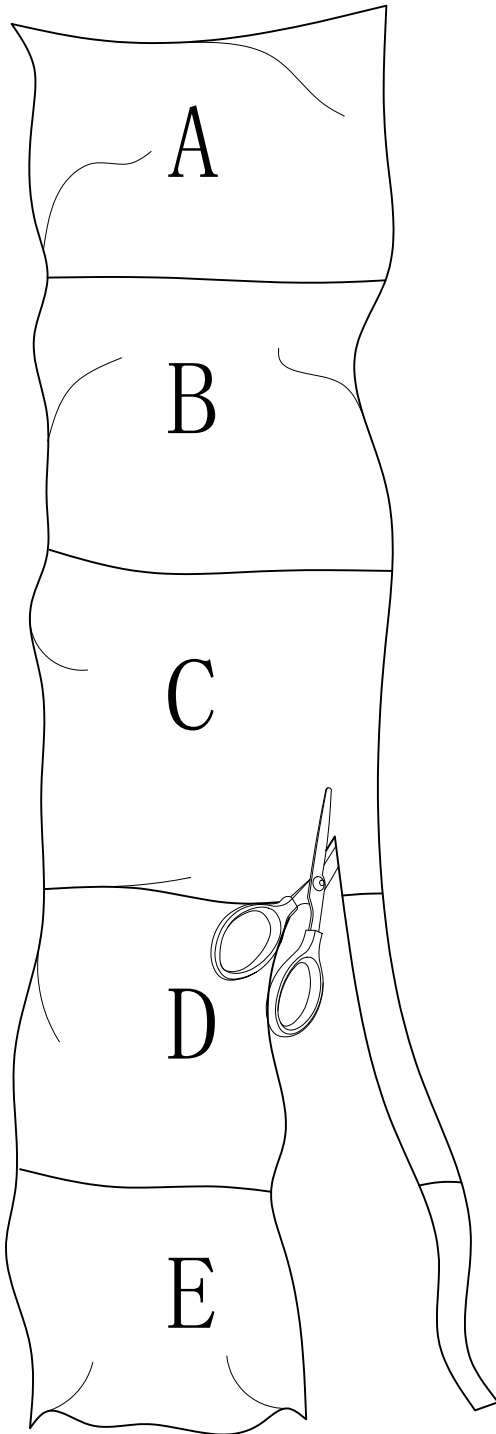
# Assembly Steps

This Table has multiple parts and may require up to 60 minutes to assemble. To give you an overview of the Table parts, the above picture is to help you put the various parts into perspective. Please read through the instructions below to familiarise yourself with the parts and steps before assembly.

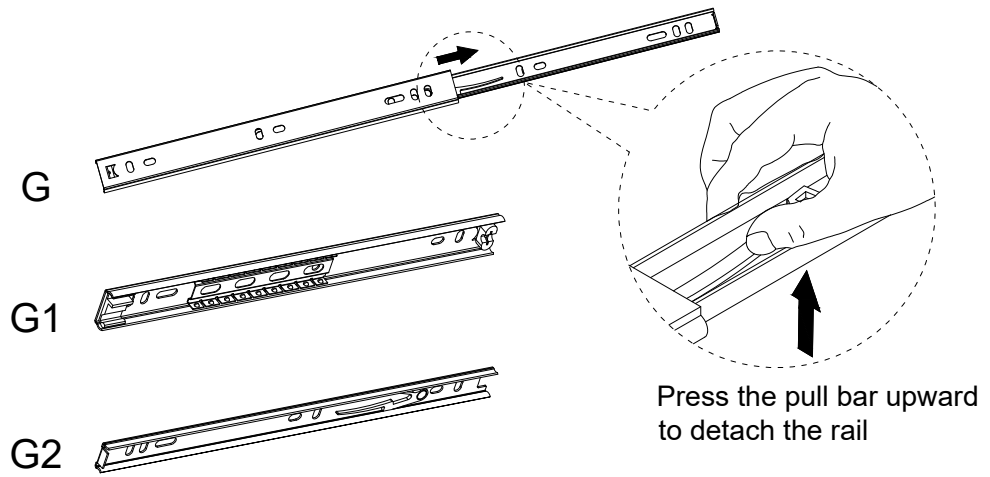


## friendly reminder

To avoid errors and confusion during the installation of accessories, use the type and quantity of hardware accessories according to the installation procedure described in the instructions. First, unroll the accessories bag and lay out the hardware accessories, cut holes in the side, and take out the hardware accessories



## STEP 01



# x2

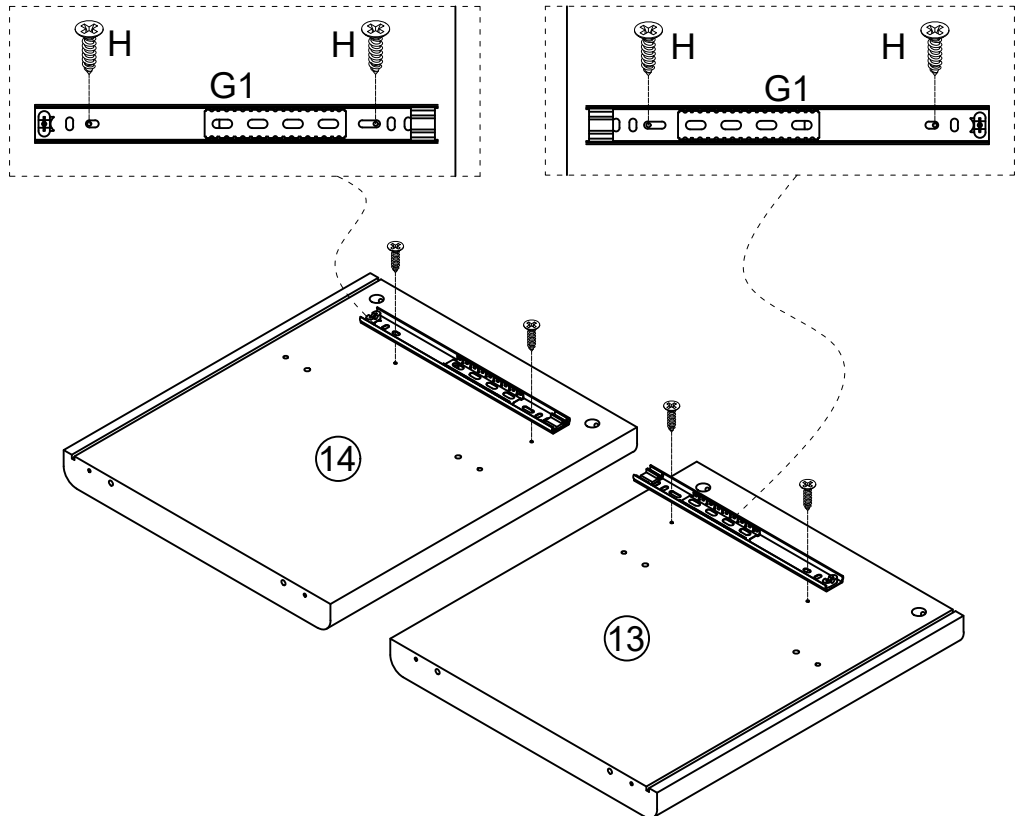
Gx2



L=285

Separate Sliding Rails (G) into Sliding Rails (G1) and (G2)

## STEP 02



G1x2



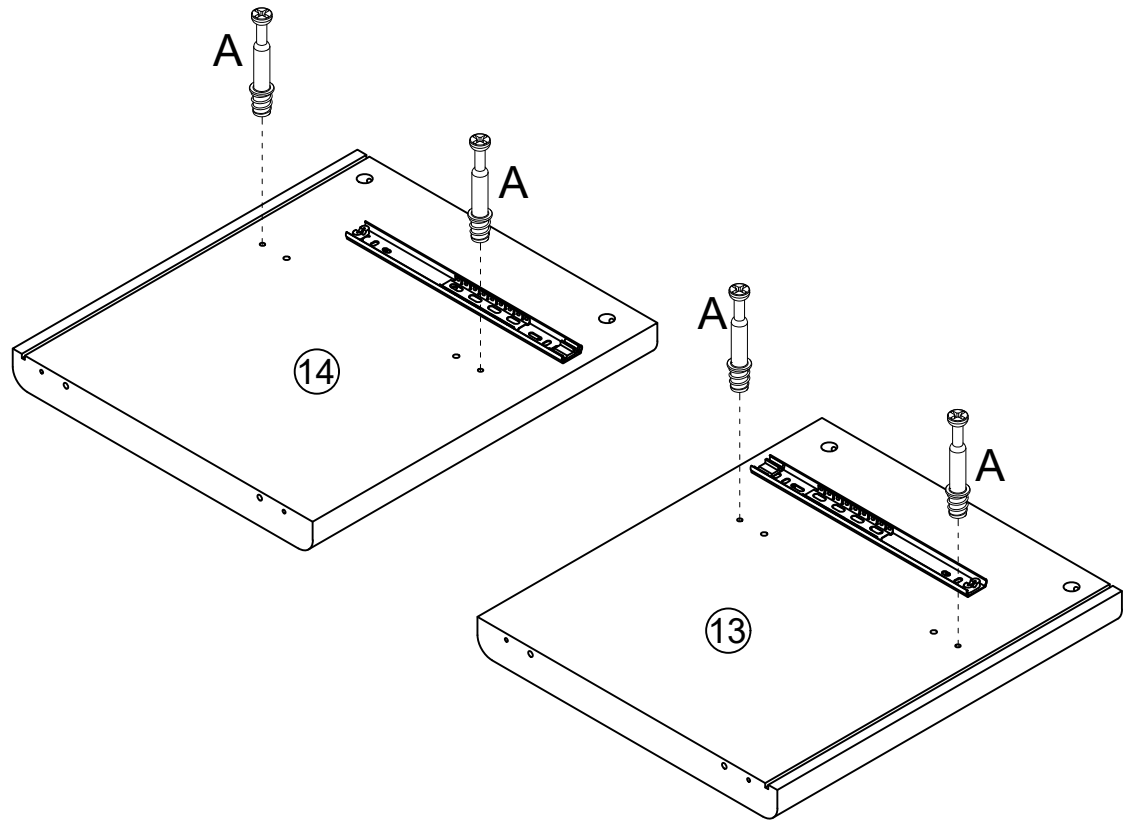
Hx4



Ø7\*Ø3.5\*12mm

Use Screw (H) to securely Sliding Rails (G1) onto Left Side Panel (13) and Right Side Panel (14) .

### STEP 03

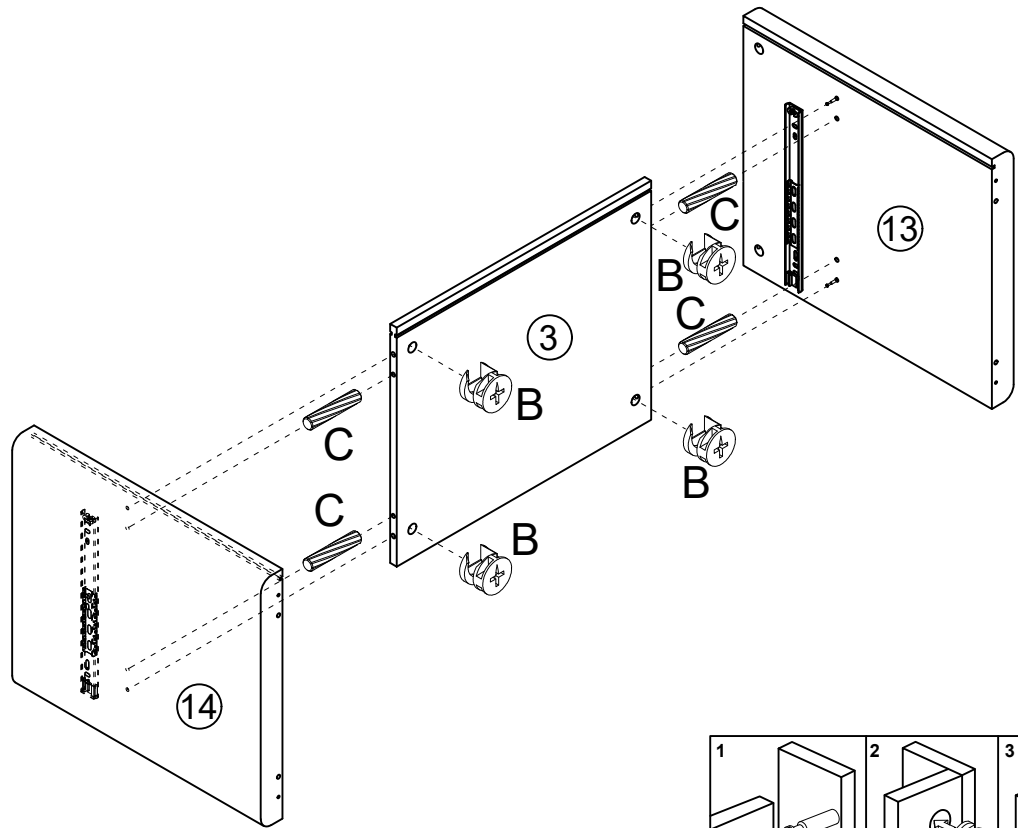


Ax4



Lock Cam Bolt (A) onto Left Side Panel (13) and Right Side Panel (14) .

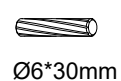
### STEP 04



Bx4

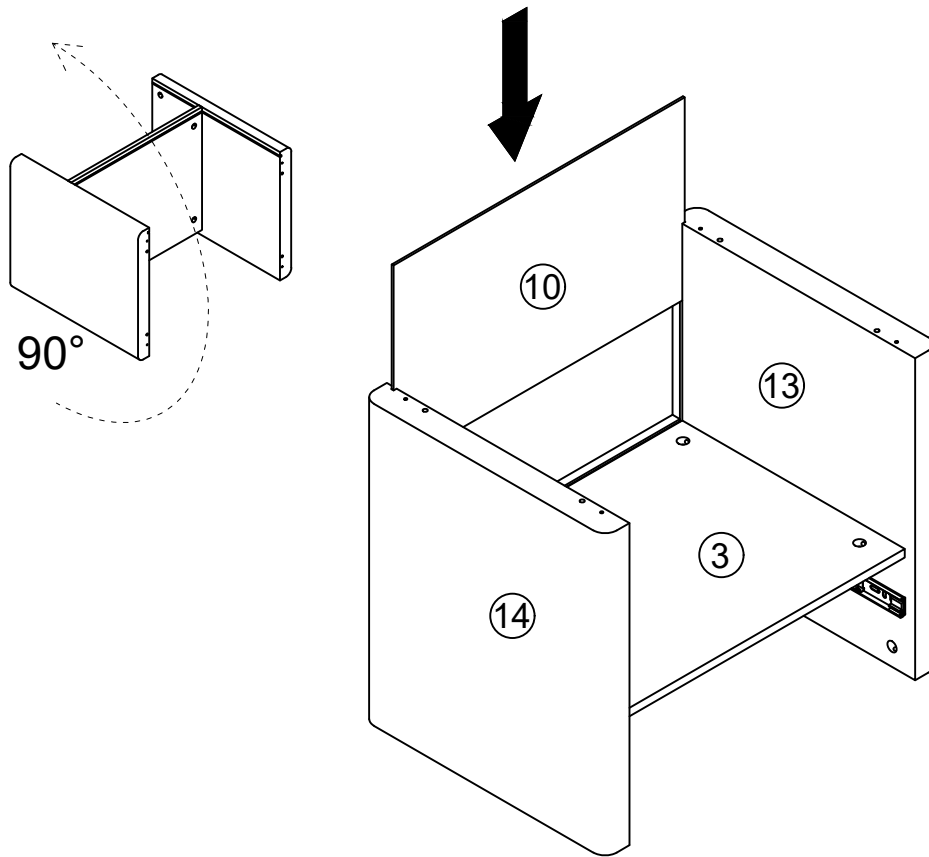


Cx4



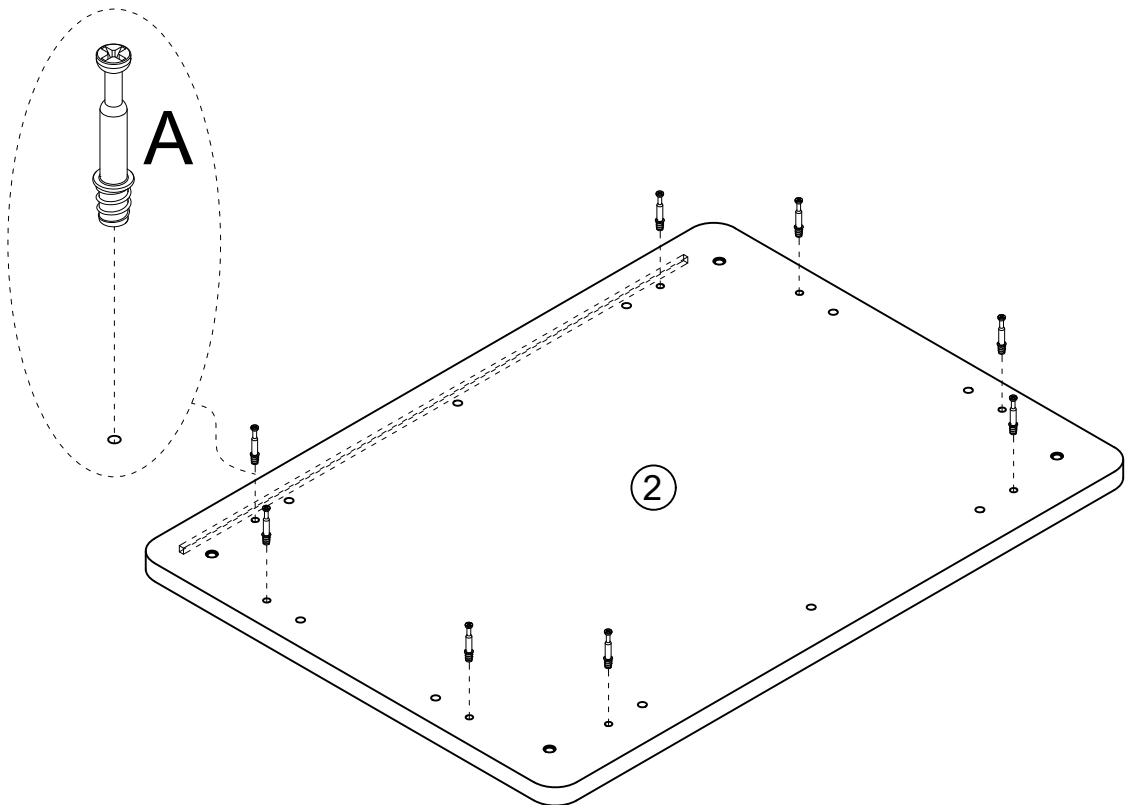
Connect Left Side Panel (13) , Right Side Panel (14) and Deck Plate (3) with Dowel (C) , and then lock Cam Nut (B).

## STEP 05



Insert Below Back Panel (10) into the corresponding slot.

## STEP 06



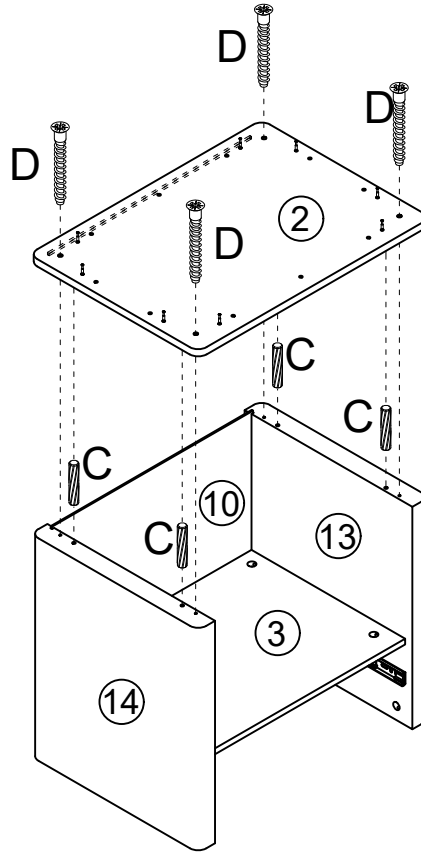
Ax8



Ø6\*35mm

Lock Cam Bolt (A) onto Base Plate (2)

## STEP 07



Be careful with  
your fingers

Cx4



Ø6\*30mm

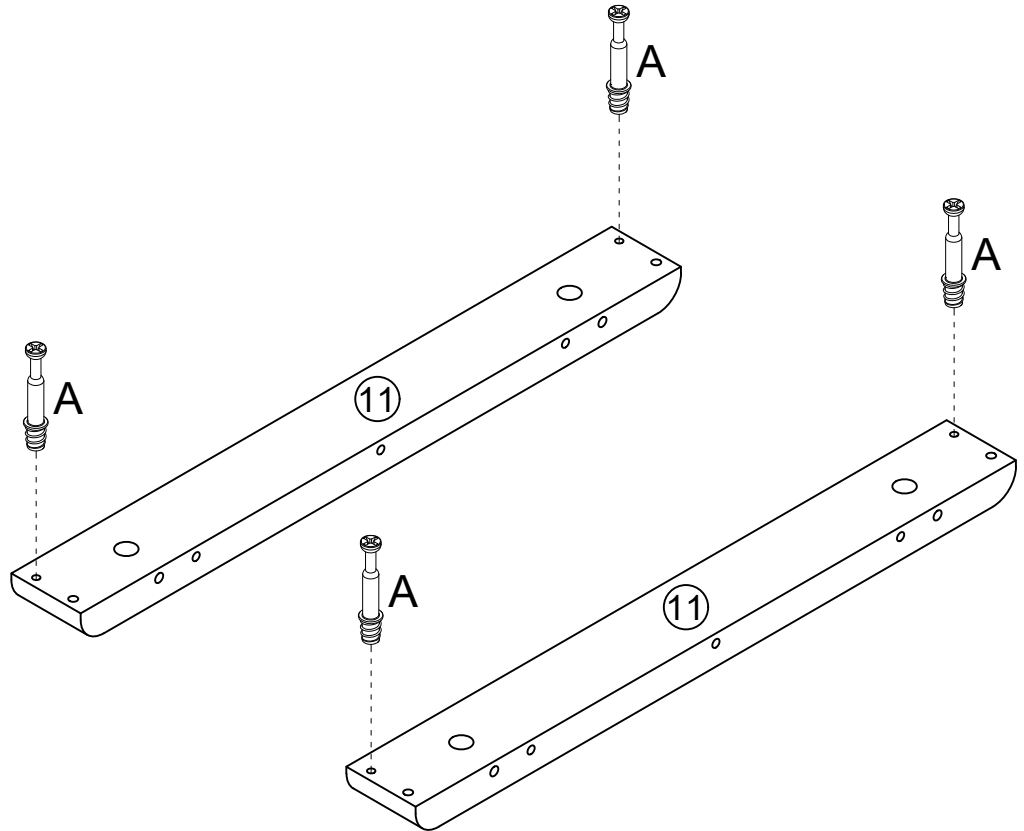
Dx4



Ø5\*38mm

Connect Base Plate (2) with Dowel (C) and the component installed in step 5, and then lock Screw (D)

## STEP 08



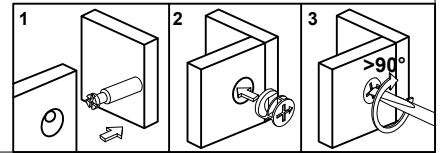
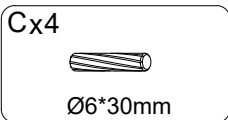
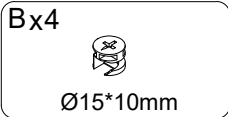
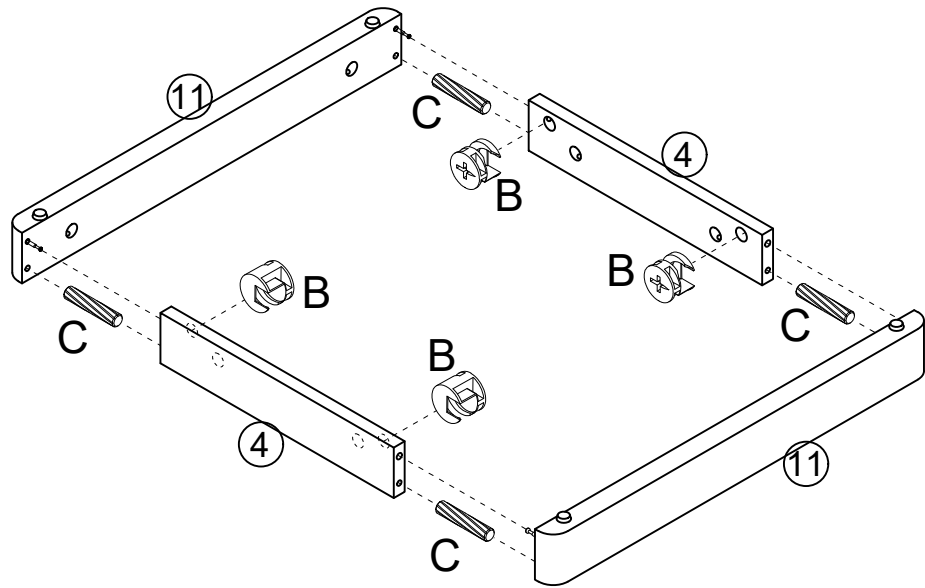
Ax4



Ø6\*35mm

Lock Cam Bolt (A) onto Leg (11).

# STEP 09

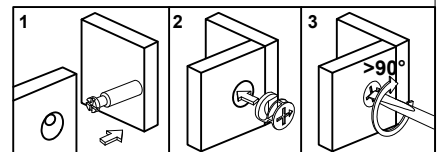
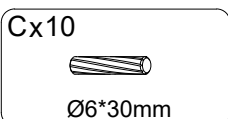
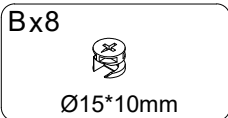
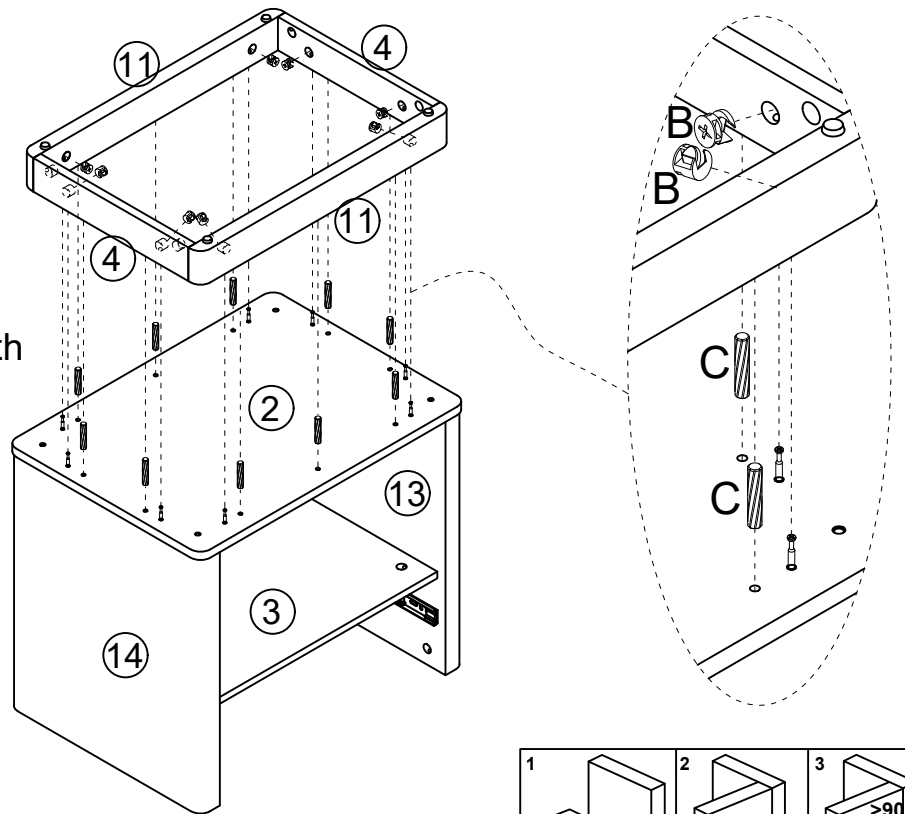


After connecting Leg (4) and Leg (11) with Dowel (C), lock Cam Nut (B).

# STEP 10

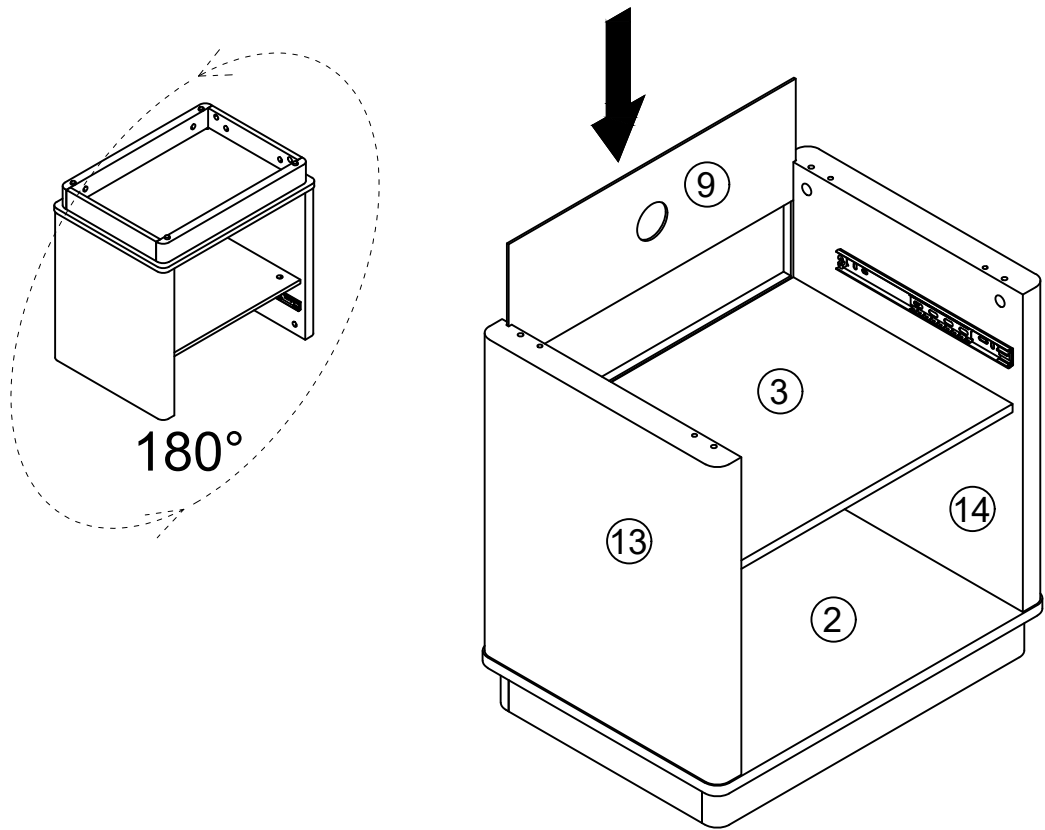


Be careful with your fingers



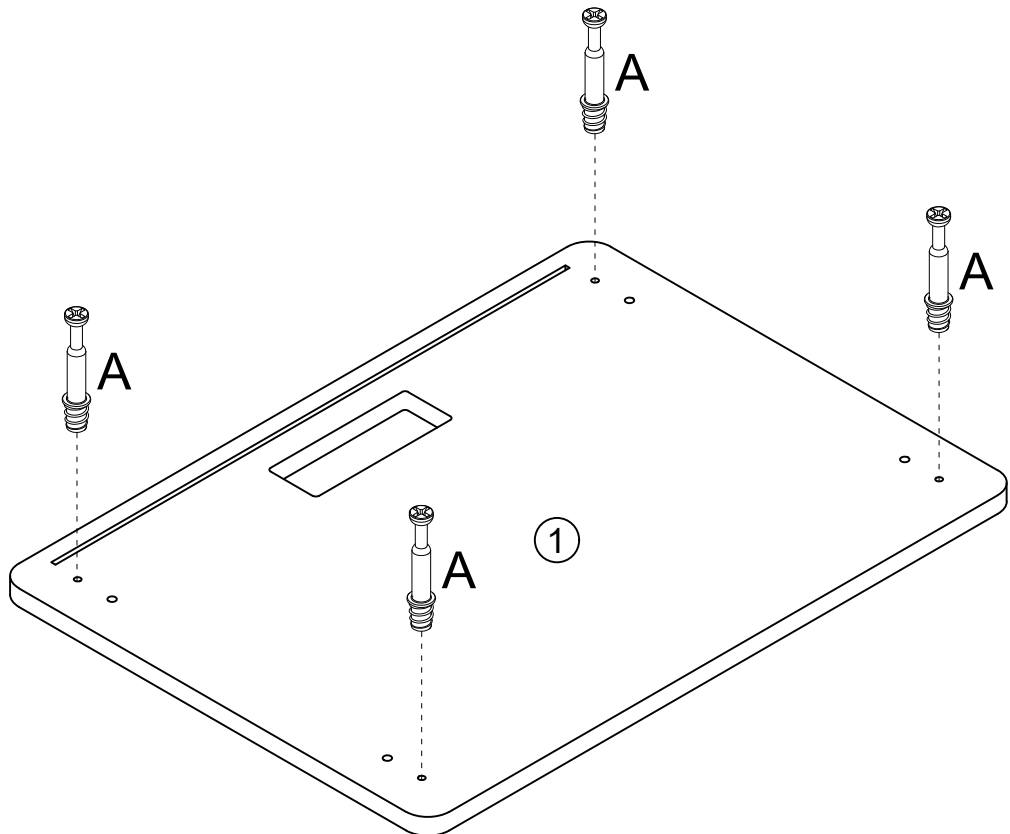
Connect the components installed in STEP 9 and 7 using Dowel (C), and then lock Cam Nut (B).

## STEP 11



Insert Upper Back Panel (9) into the corresponding slot.

## STEP 12



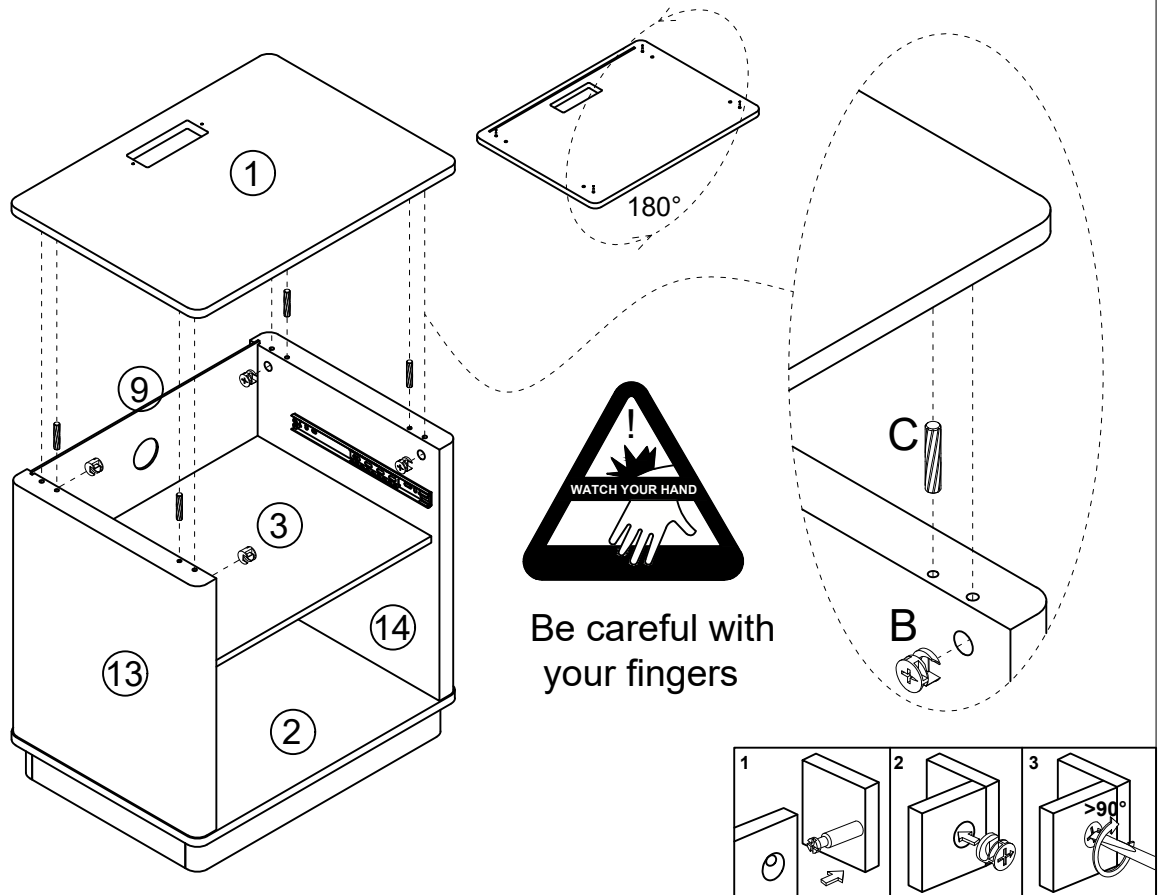
Ax4



Ø6\*35mm

Lock Cam Bolt (A) onto Panel (1)

## STEP 13

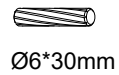


Bx4



Ø15\*10mm

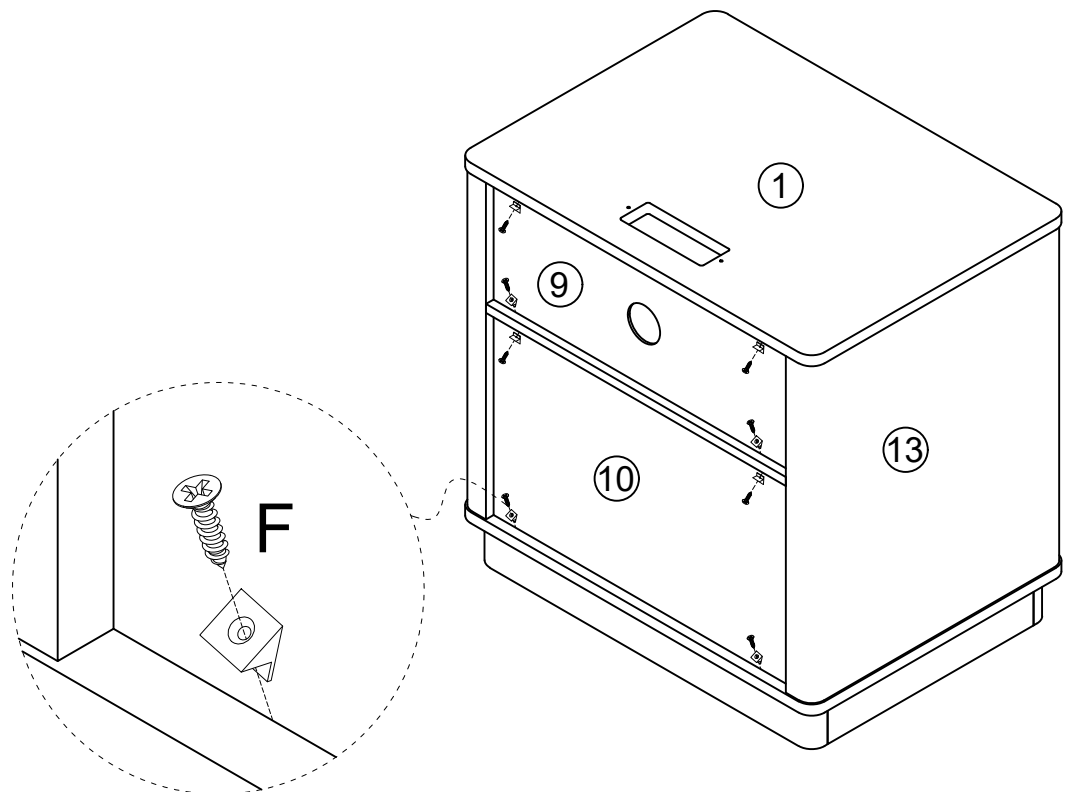
Cx4



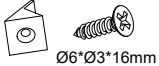
Ø6\*30mm

Connect Panel (1) and the components installed in STEP 11 using Dowel (C), and then lock Cam Nut (B).

## STEP 14



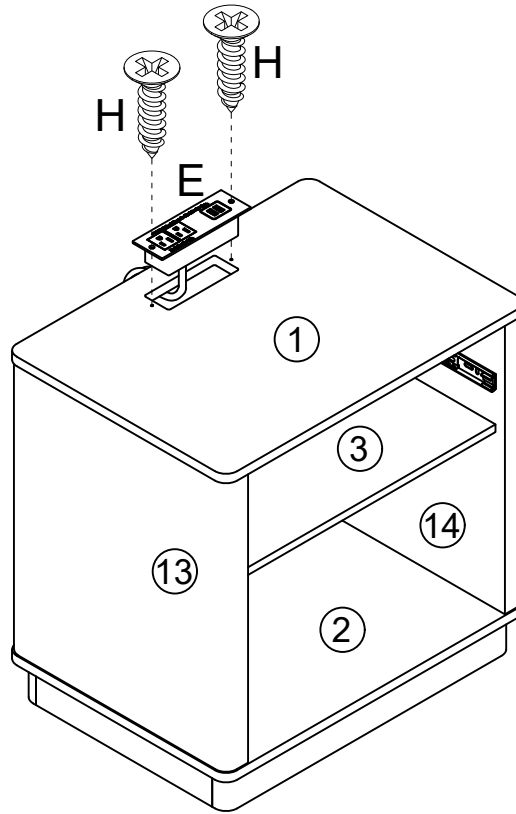
Fx8



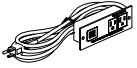
Ø6\*Ø3\*16mm

Use Screw (F) to securely Backplate Buckle (F) onto Upper Back Panel (9) and Below Back Panel (10).

## STEP 15



Ex1



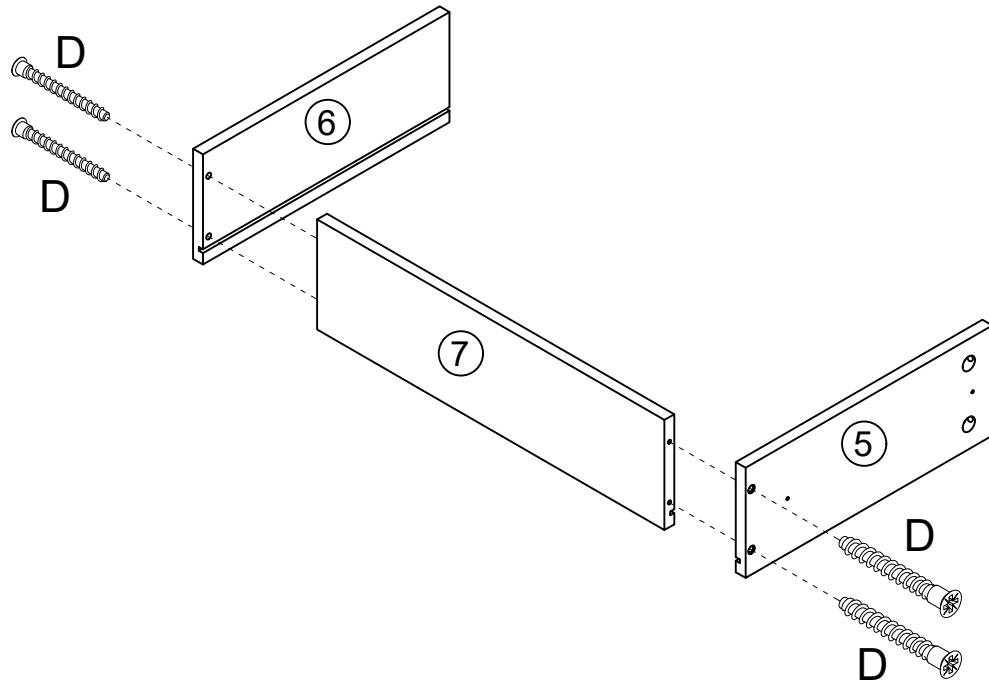
Hx2



Ø7\*Ø3.5\*12mm

Fix Socket (E) to Panel (1) using Screw (H).

## STEP 16



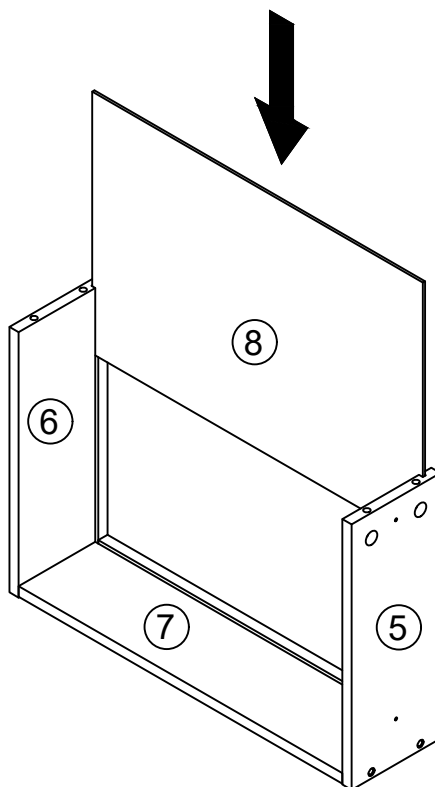
Dx4



Ø5\*38mm

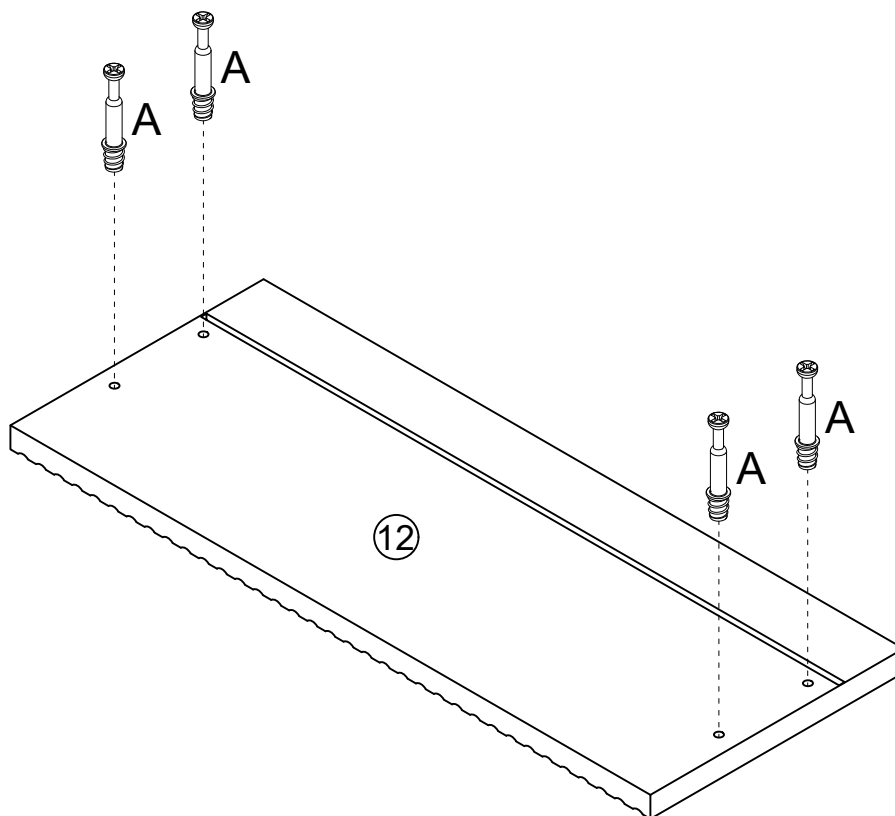
Use Screw (D) to securely connect Drawer Left Panel (5) and Drawer Right Panel (6) to Drawer Back Panel (7).

## STEP 17



Insert Drawer Bottom Plate (8) into the corresponding slot.

## STEP 18



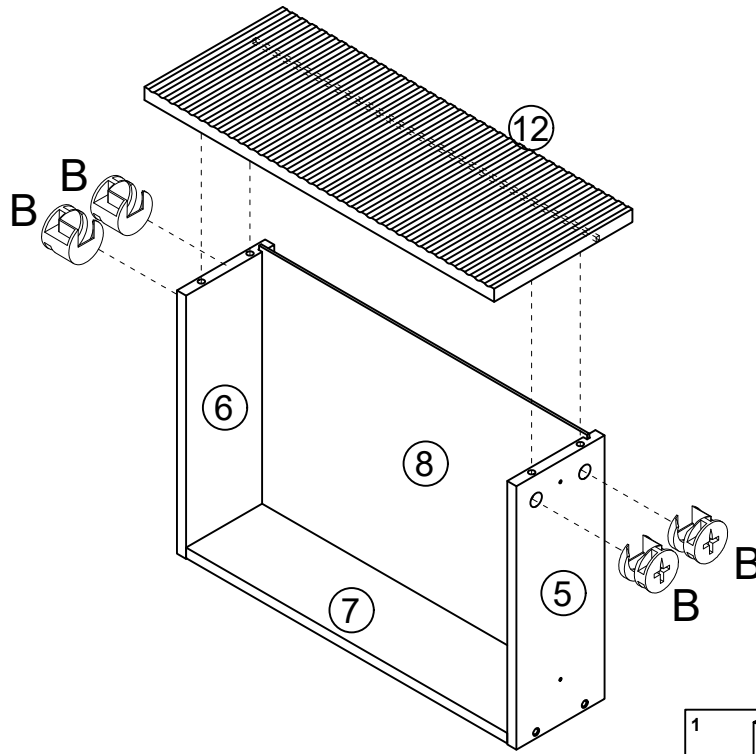
Ax4



Ø6\*35mm

Lock Cam Bolt (A) onto Drawer Front Panel (12)

## STEP 19

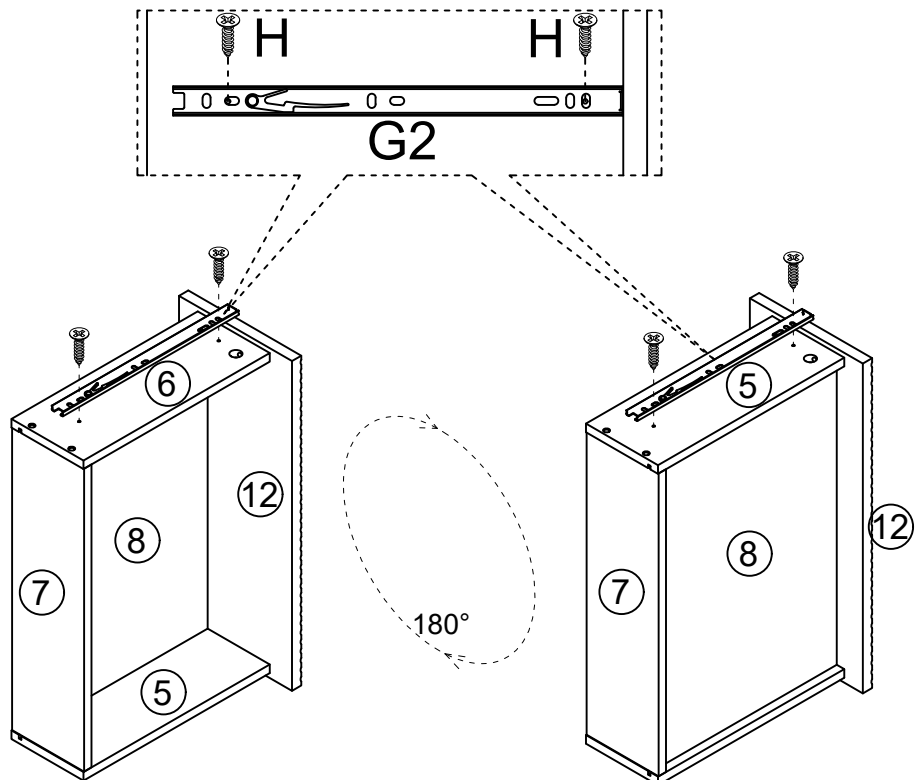


Bx4



Align Drawer Front Panel (12) properly and then lock Cam Nut (B)

## STEP 20



G2x2

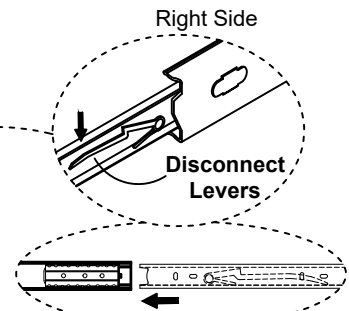
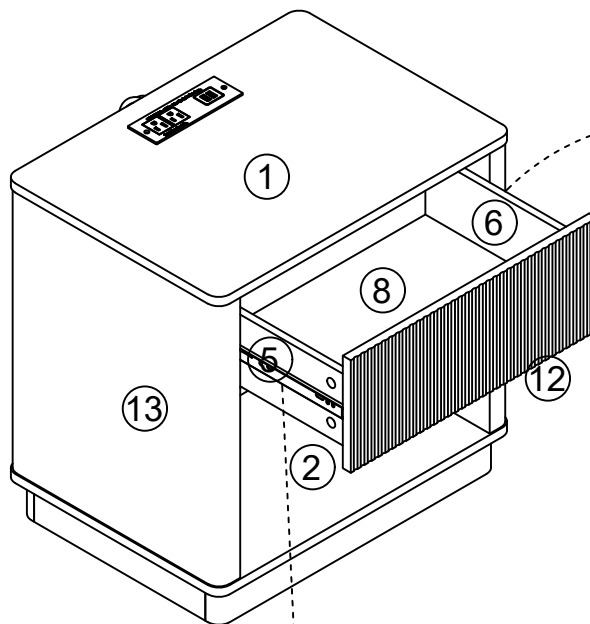


Hx4



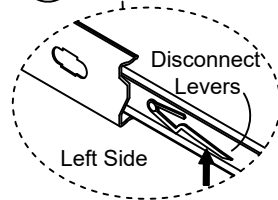
Use Screw (H) to securely Sliding Rails (G2) onto Drawer Left Panel (5) and Drawer Right Panel (6).

## STEP 21

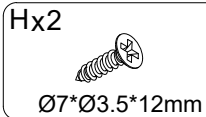
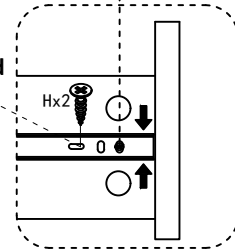


When installing the slide rail, it should be inserted at the same time, and then pushed together. If you have trouble pushing the drawer forward, pull back and push again

This screw can be loosened to adjust the top and bottom gaps of the drawer

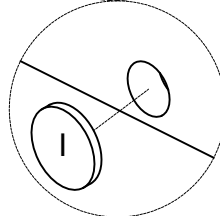
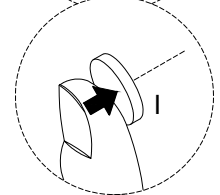
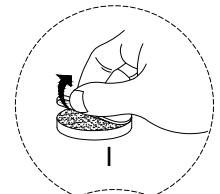
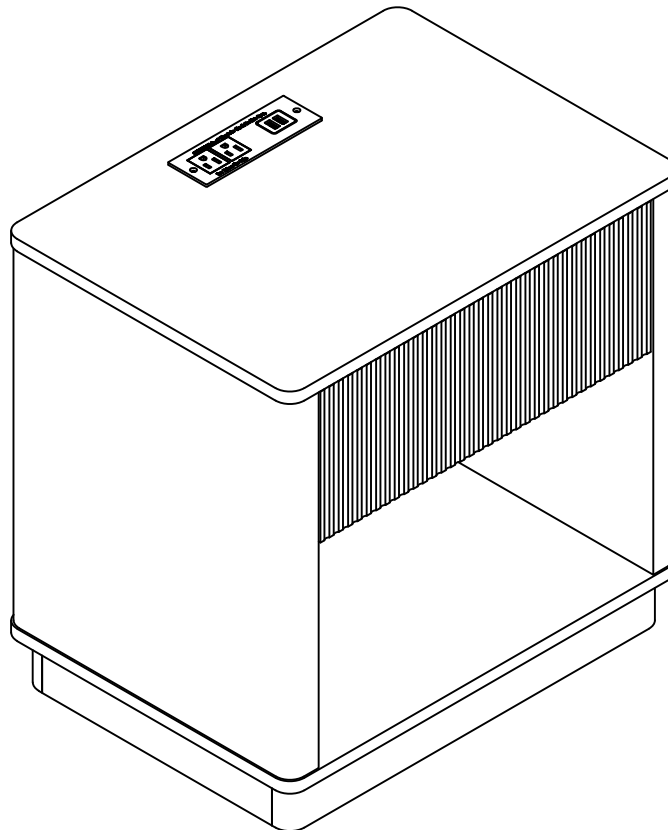


Lock screw **H** after adjusting the upper and lower gaps

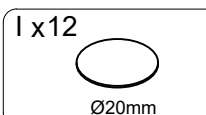


Align and install the installed drawer using Sliding Rails (G1) and (G2).

## STEP 22



Exposed holes can be attached with stickers **I**



Cover the visible hole with a Pad (I).  
Your Table is ready for use now.

## Questions & Answers about Proposition 65

- What is Proposition 65?

Proposition 65 requires businesses to provide warnings to Californians about significant exposures to chemicals that cause cancer, birth defects or other reproductive harm. These chemicals can be in the products that Californians purchase, in their homes or workplaces, or that are released into the environment. By requiring that this information be provided, Proposition 65 enables Californians to make informed decisions about their exposures to these chemicals.

Proposition 65 also prohibits California businesses from knowingly discharging significant amounts of listed chemicals into sources of drinking water.

Proposition 65 requires California to publish a list of chemicals known to cause cancer, birth defects or other reproductive harm. This list, which must be updated at least once a year, has grown to include approximately 900 chemicals since it was first published in 1987.

- What types of chemicals are on the Proposition 65 list?

The list contains a wide range of naturally occurring and synthetic chemicals that include additives or ingredients in pesticides, common household products, food, drugs, dyes, or solvents. Listed chemicals may also be used in manufacturing and construction, or they may be byproducts of chemical processes, such as motor vehicle exhaust.

- What does a warning mean?

If a warning is placed on a product label or posted or distributed at a workplace, a business, or in rental housing, the business issuing the warning is aware or believes that it is exposing individuals to one or more listed chemicals.

By law, a warning must be given for listed chemicals unless the exposure is low enough to pose no significant risk of cancer or is significantly below levels observed to cause birth defects or other reproductive harm.

- Where can I get more information on Proposition 65?

If you have specific questions on the administration or implementation of Proposition 65, you can contact OEHHA's Proposition 65 program at [P65.Questions@oehha.ca.gov](mailto:P65.Questions@oehha.ca.gov), or by phone at (916) 445-6900.