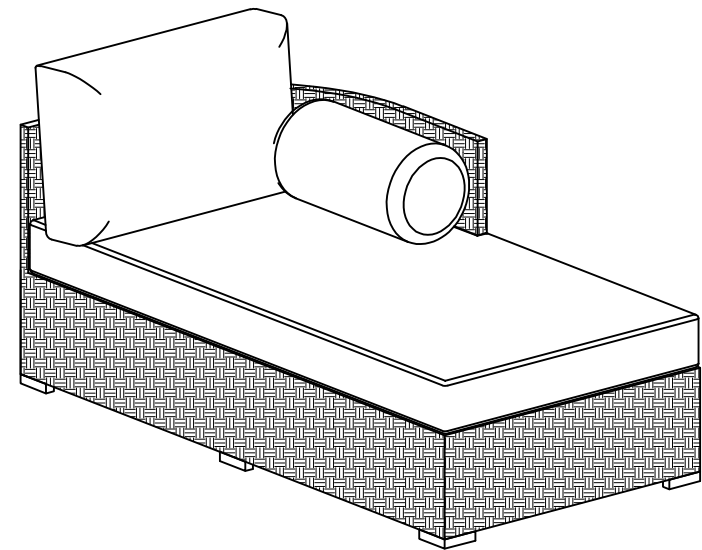


ANGUILLA WICKER OUTDOOR CHAISE SECTIONAL

DESIGN # CPT2104-2/2

Assembly Instructions



Need help?

Feel free to contact us via email or call
if you have any specific questions!

contact us:

cs@safavieh.com

866-422-9070

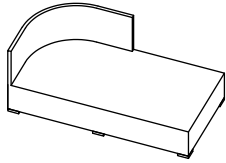
SAFAVIEH
C O U T U R E

Thanks for bringing Safavieh Couture into your home

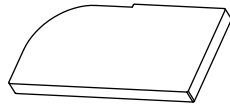
Everything we make is incredibly simple to set up, including your new chaise sectional. You won't need any additional tools.

Parts List

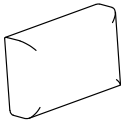
B x1
RIGHT BENCH FRAME



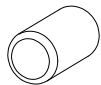
CSH1 x1
SEAT CUSHION



CSH3 x1
BACK CUSHION

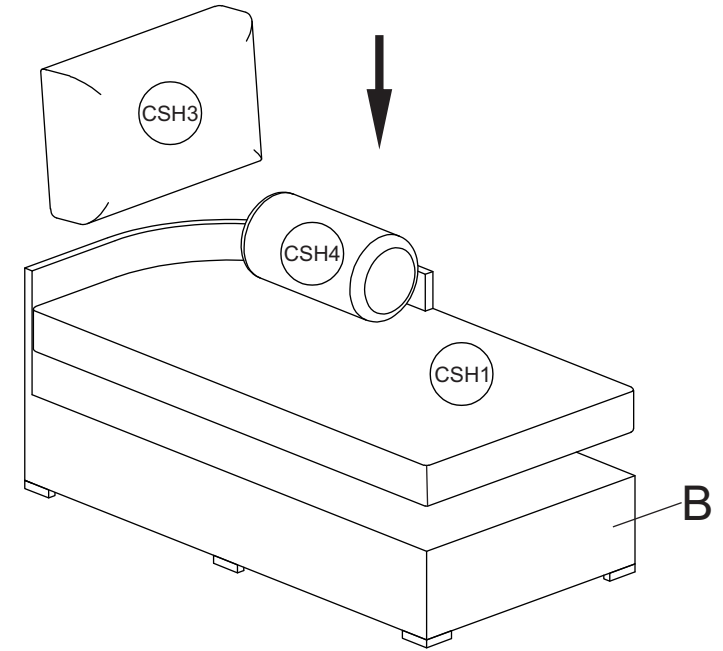


CSH4 x1
THROW PILLOW



1

Place the Seat Cushion (CSH1) the Back Cushion (CSH3) the Throw Pillow (CSH4) on the bench.



2

Place the bench in the position you will use it. We'd love to see it – just tag us (we're @safavieh) and use the hashtag #safavieh on Instagram!

