

ASSEMBLY INSTRUCTIONS



Armless Chair

ASSEMBLY INSTRUCTIONS

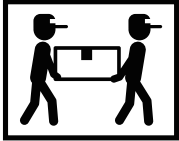
ASSEMBLY TIPS:

1. Remove hardware from box and sort by size.
2. Please check to see that all hardware and parts are present prior to start of assembly.
3. Please follow attached instructions in the same sequence as numbered to assure fast & easy assembly.



WARNING!

1. Don't attempt to repair or modify parts that are broken or defective. Please contact the store immediately.
2. This product is for home use only and not intended for commercial establishments.



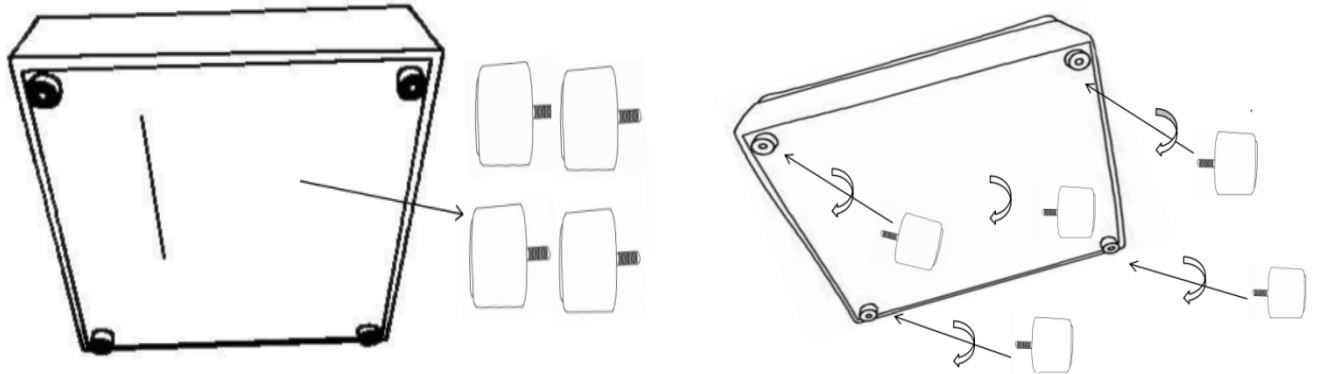
ASSEMBLY TIME

8 MINUTES

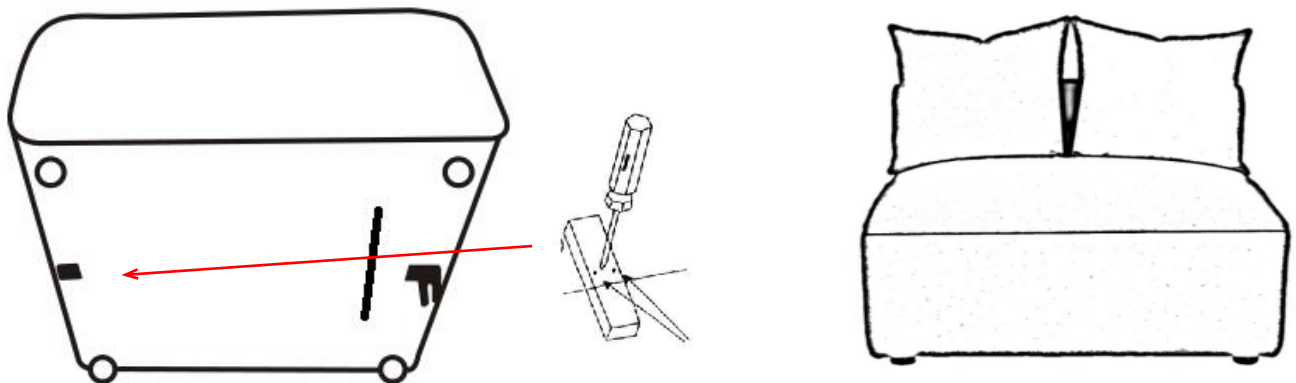
PARTS IDENTIFICATION

ASSEMBLY INSTRUCTIONS

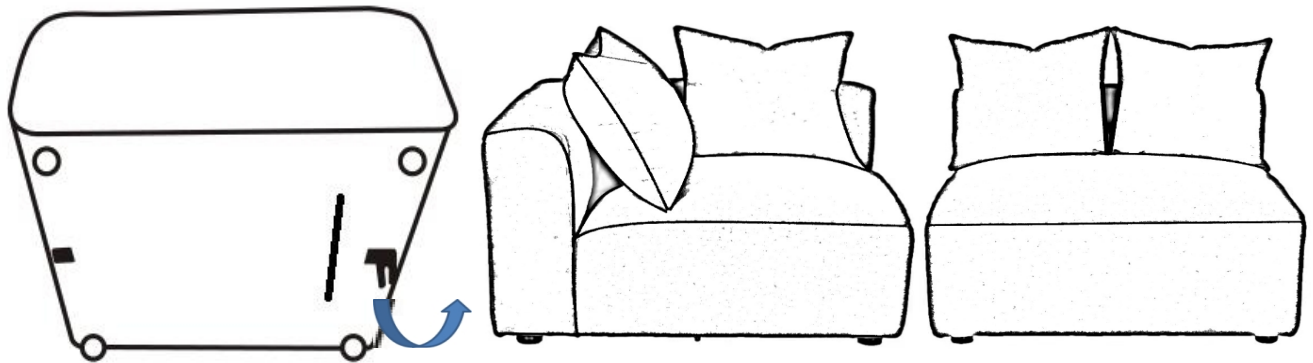
STEP 1 Turn over the item and take out the legs from zippered pouch and install the legs as pictures show



STEP 2 Please remove the wood block with screwdriver, do not use a hammer

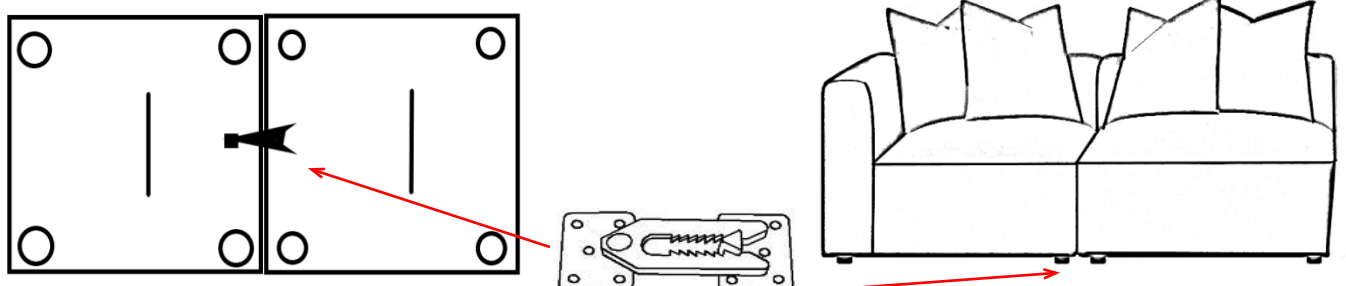


STEP 3 Rotate the metal clips, put the chair and corner closer

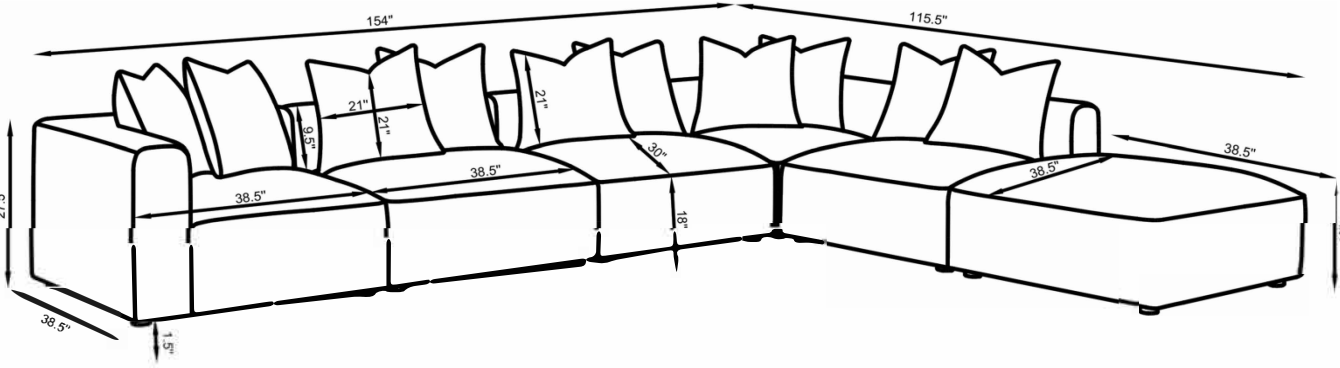


STEP 4 Insert the metal clips to connect other units as pictures show

COMPLETE



ASSEMBLY INSTRUCTIONS



Note : Dimension tolerance $\pm 5\%$

