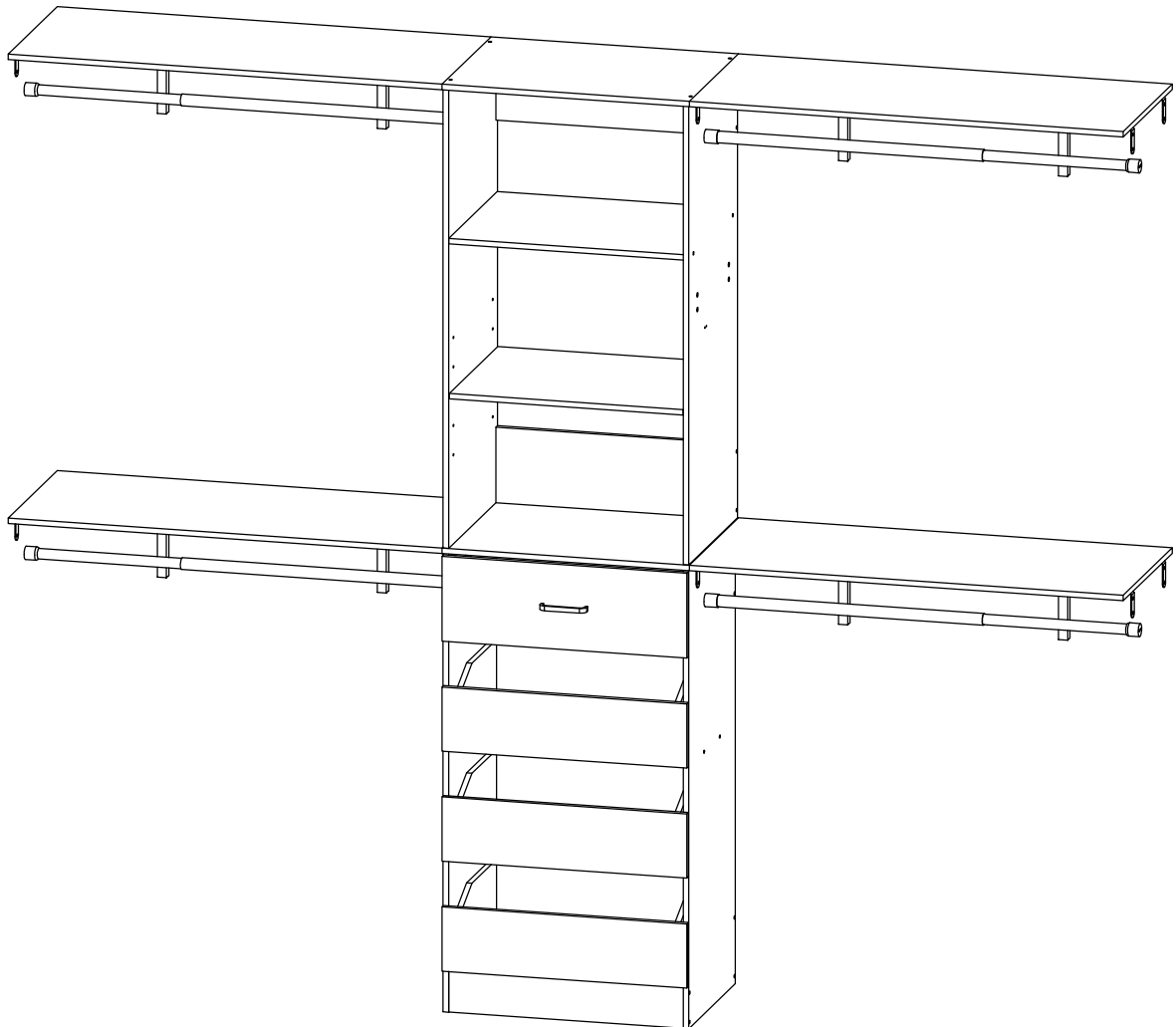

Wood Closet System

ASSEMBLY INSTRUCTION



(Note:Two people are recommended to install, which will greatly improve your installation efficiency.)

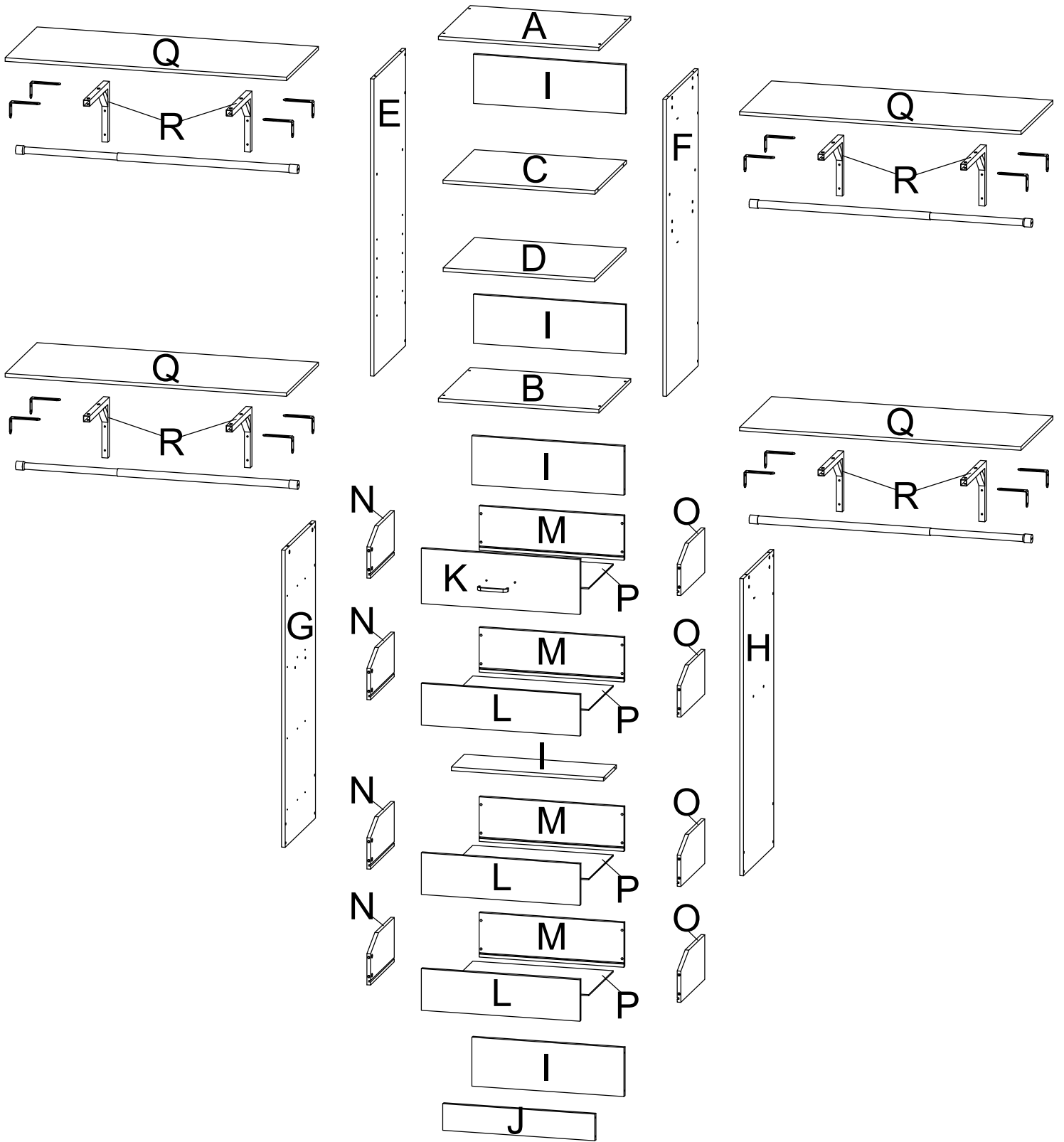
Thank you for purchasing our products.

As a reliable seller, we have been pursuing to provide customers with 100% satisfied products and services, so we hope that you will enjoy this shopping experience.

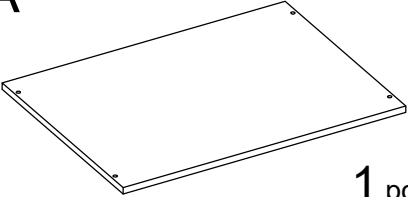
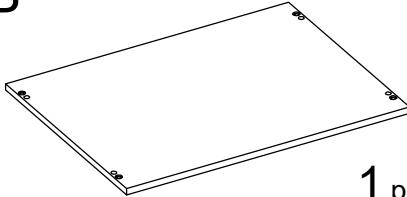
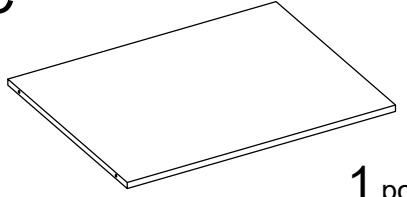
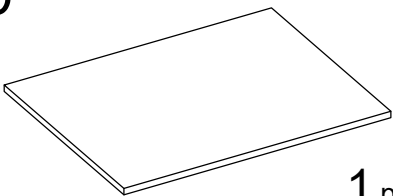
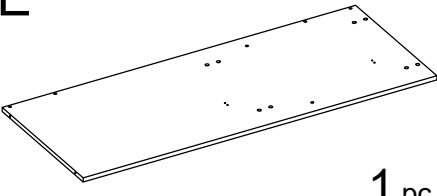
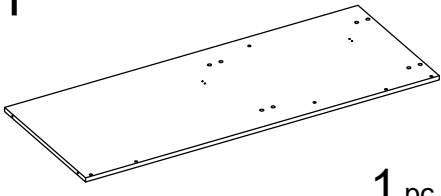
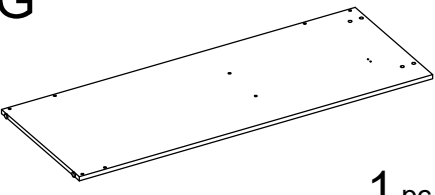
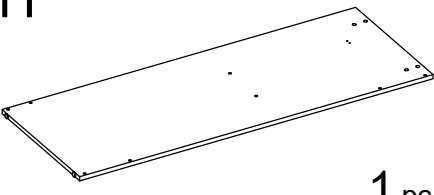
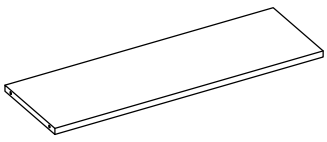
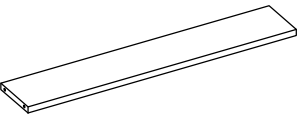
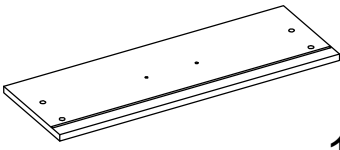
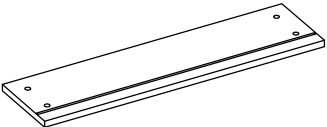
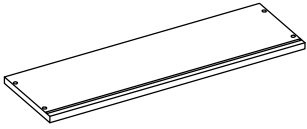
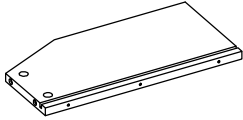
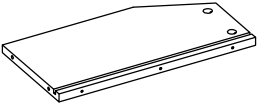
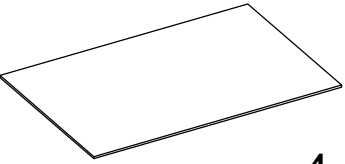
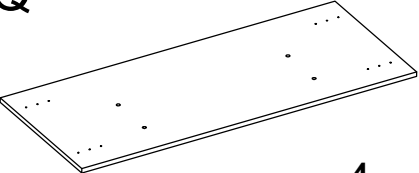
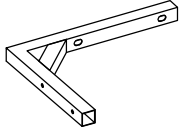
If you find any damage, missing parts, or dissatisfaction after receiving the product, please feel free to contact us the first time, We will provide you with a 100% satisfactory solution.

TIPS:

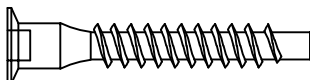
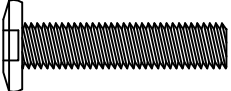
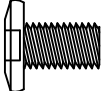
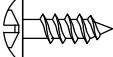
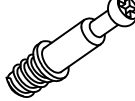

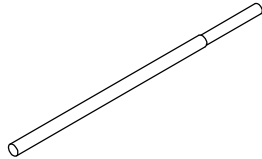

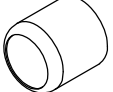


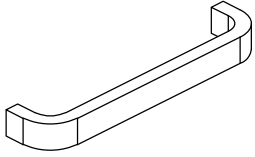
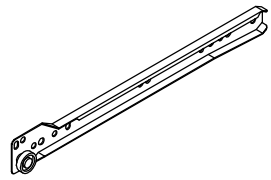
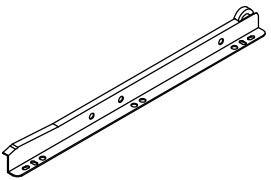
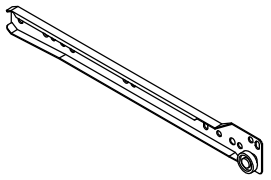
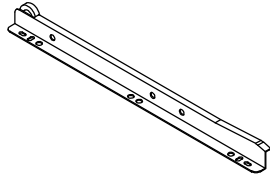
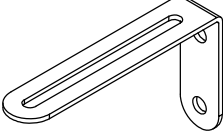
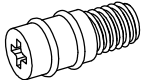
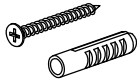
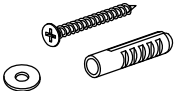
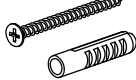
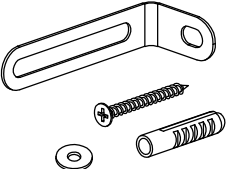
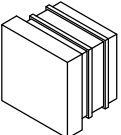
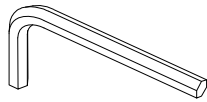
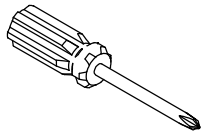
1. Please read this instruction manual carefully, follow it step by step and pay attention to the notes, you will assemble it quickly, safely and correctly.
2. Two people are recommended to install, which will greatly improve your installation efficiency.
3. Put the screws in loosely until all pieces are together and then tighten them all. It will save your time if you make a mistake while installing



PART LIST

<p>A</p>  <p>1 pc</p>	<p>B</p>  <p>1 pc</p>	<p>C</p>  <p>1 pc</p>
<p>D</p>  <p>1 pc</p>	<p>E</p>  <p>1 pc</p>	<p>F</p>  <p>1 pc</p>
<p>G</p>  <p>1 pc</p>	<p>H</p>  <p>1 pc</p>	<p>I</p>  <p>5 pcs</p>
<p>J</p>  <p>1 pc</p>	<p>K</p>  <p>1 pc</p>	<p>L</p>  <p>3 pcs</p>
<p>M</p>  <p>4 pcs</p>	<p>N</p>  <p>4 pcs</p>	<p>O</p>  <p>4 pcs</p>
<p>P</p>  <p>4 pcs</p>	<p>Q</p>  <p>4 pcs</p>	<p>R</p>  <p>8 pcs</p>

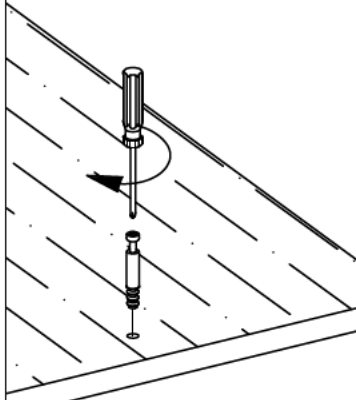
HARDWARE LIST

<p>①</p>  <p>M6x40 52 pcs</p>	<p>②</p>  <p>M6x27 16 pcs</p>	<p>③</p>  <p>M6x10 16 pcs</p>	
<p>④</p>  <p>M4x12 40 pcs</p>	<p>⑤</p>  <p>M6x28 20 pcs</p>	<p>⑥</p>  <p>Ø12 20 pcs</p>	
<p>⑦</p>  <p>67-120cm 4 pcs</p>	<p>⑧</p>  <p> 4 pcs</p>	<p>⑨</p>  <p> 4 pcs</p>	
<p>⑩</p>  <p>M3x12 48 pcs</p>	<p>⑪</p>  <p>M4x16 2 pcs</p>	<p>⑫</p>  <p> 1 pc</p>	
<p>⑬</p>  <p>30cm 4 pcs</p>	<p>⑭</p>  <p>30cm 4 pcs</p>	<p>⑮</p>  <p>30cm 4 pcs</p>	
<p>⑯</p>  <p>30cm 4 pcs</p>	<p>⑰</p>  <p>100x55 16 pcs</p>	<p>⑱</p>  <p>M6x19 4 pcs</p>	
<p>⑲</p>  <p>M4x40 8 pcs</p>	<p>⑳</p>  <p>M4x40 16 pcs</p>	<p>㉑</p>  <p>M4x60 16 pcs</p>	<p>㉒</p>  <p>M4x40 2 pcs</p>
<p>㉓</p>  <p>20x20 16 pcs</p>	<p>㉔</p>  <p>M4 1 pc</p>	<p>㉕</p>  <p> 1 pc</p>	

Using Camlocks

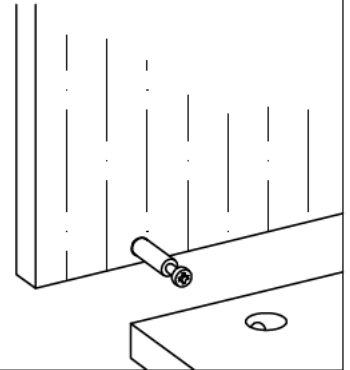
Connect the male camlock as directed in the assembly instructions using a screwdriver.

1 DO NOT OVER TIGHTEN



Push the male camlock into the entry hole.

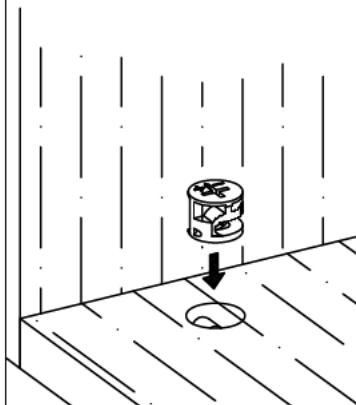
2



Insert the female camlock as shown in the instruction.

Note: ensure that the arrow on the top of the camlock points toward the entry hole for the male camlock.

3

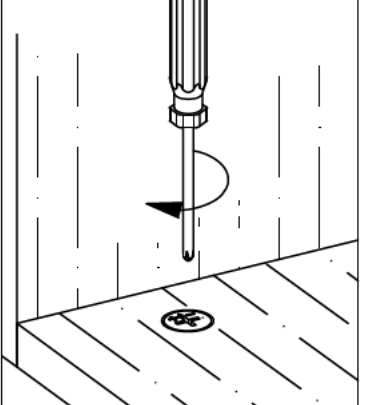


Turn the female camlock clockwise with a screwdriver.

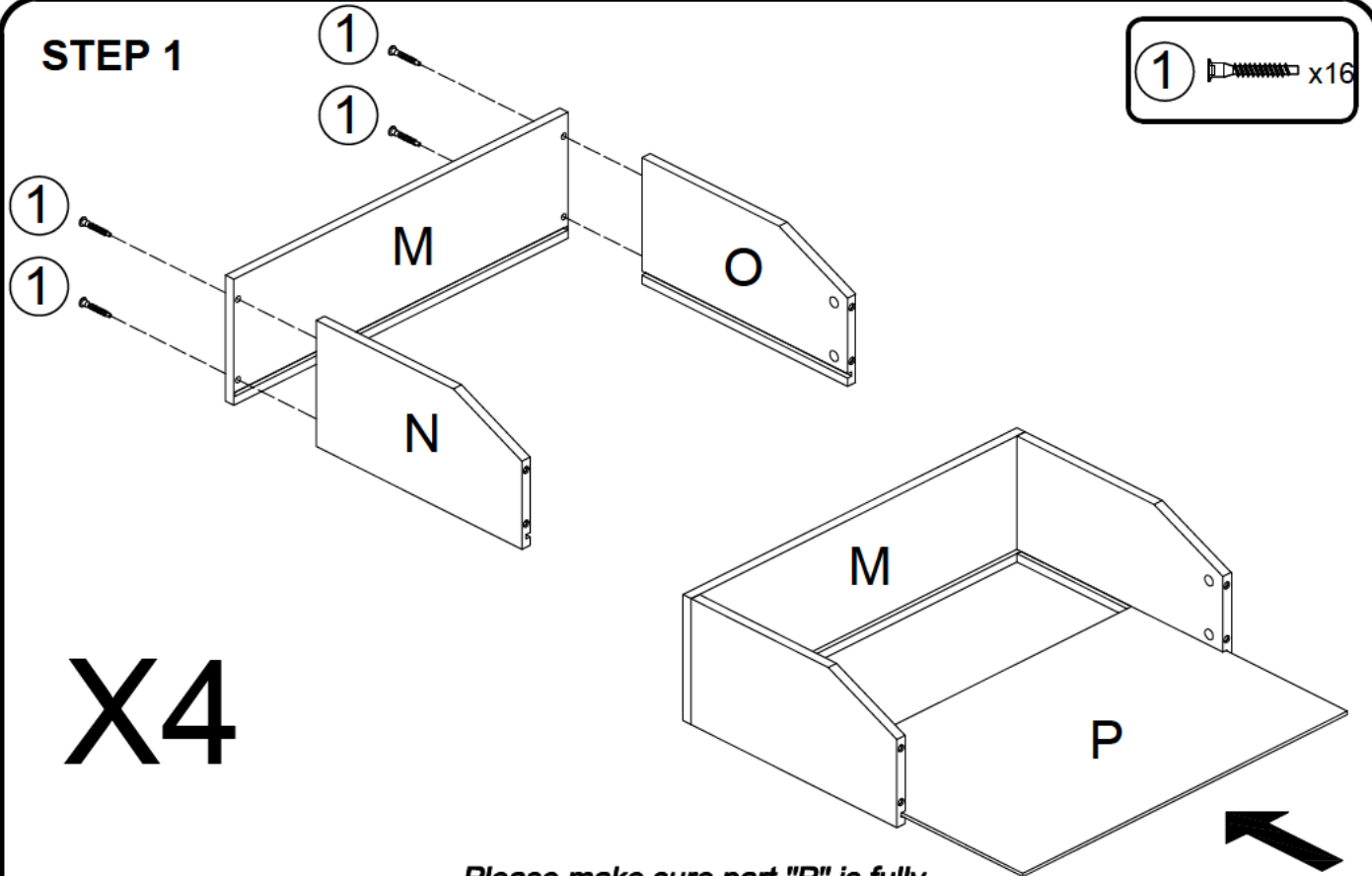
You should feel a click when the camlock is locked in place.

The joint is now secure.

4



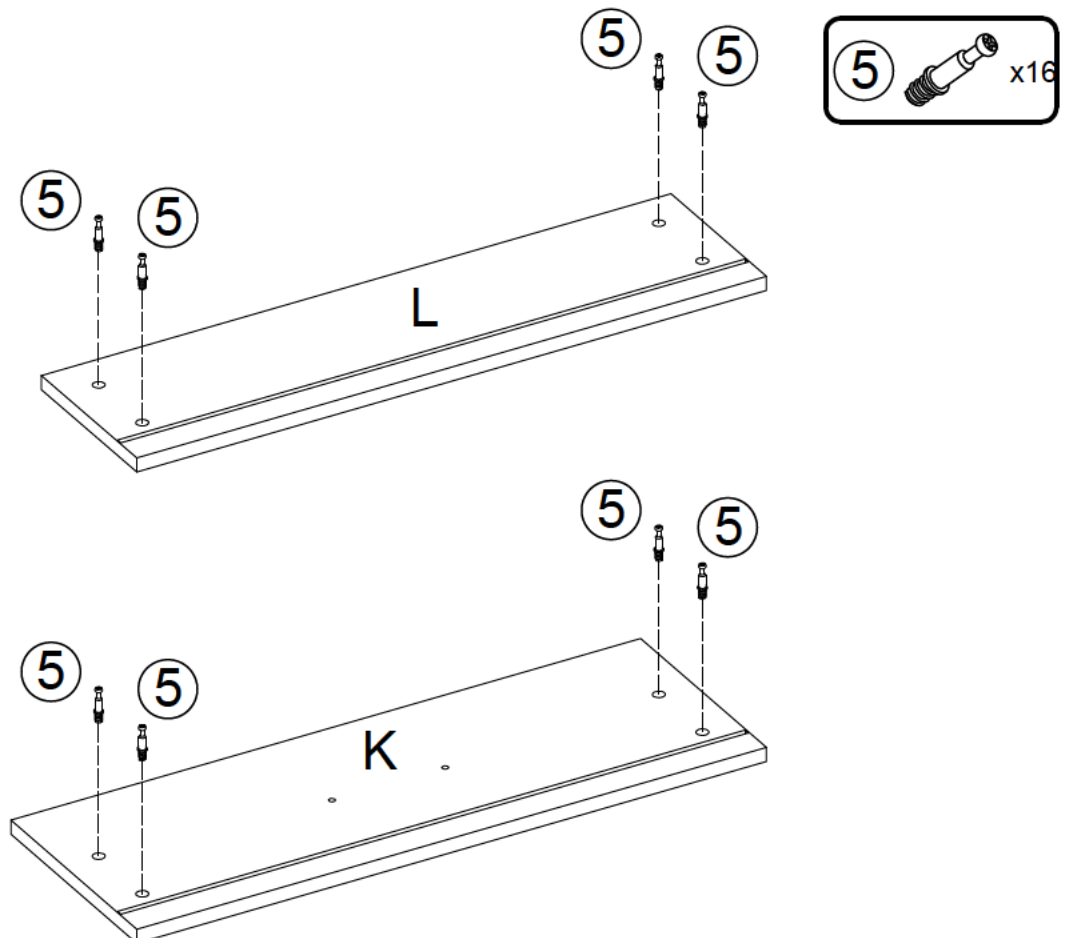
STEP 1



X4

Please make sure part "P" is fully seated in part "M".

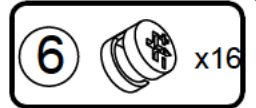
STEP 2



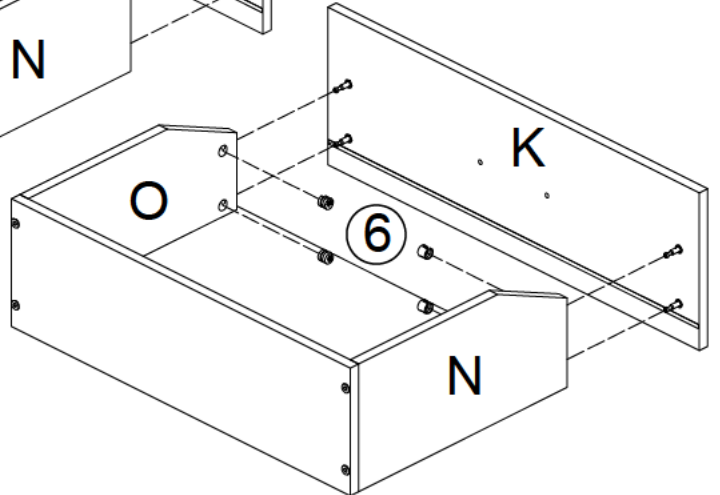
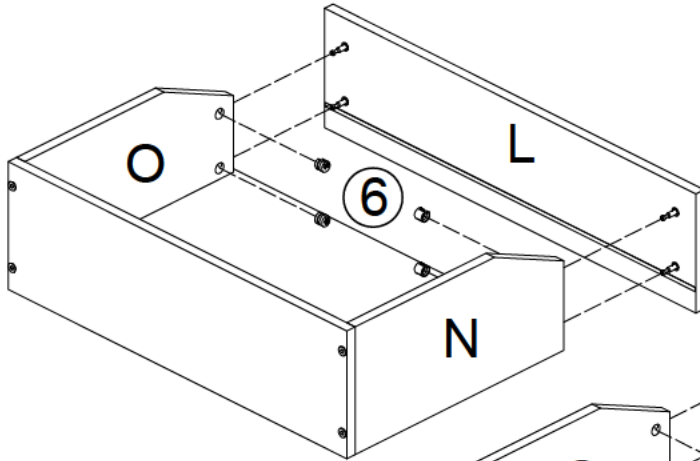
X3

X1

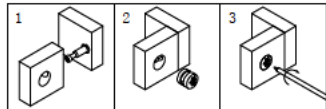
STEP 3



X3



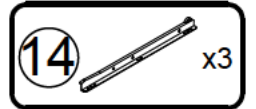
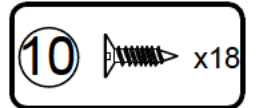
X1



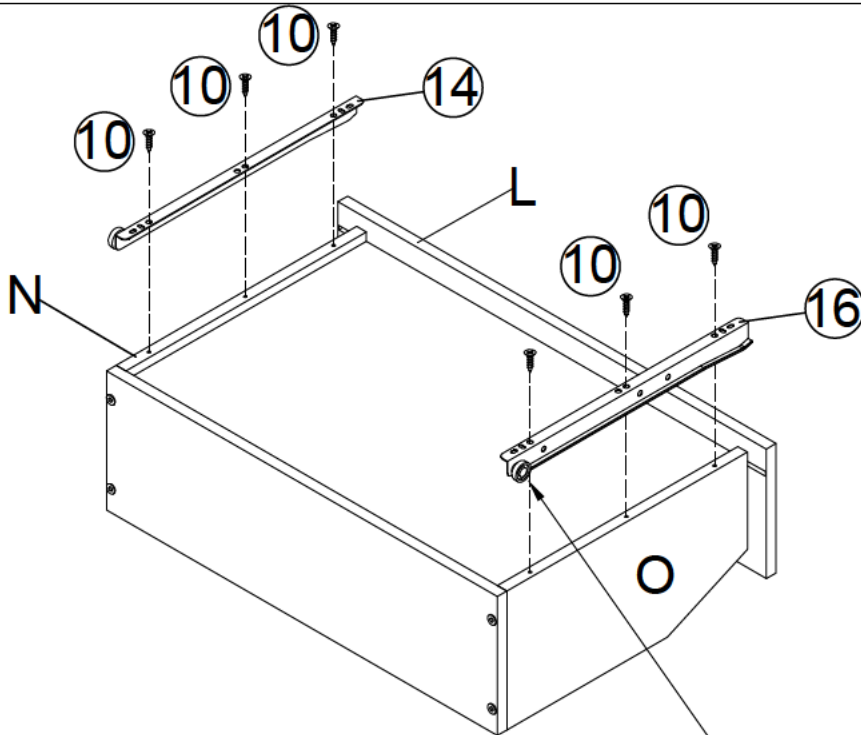
Cam Lock Fastening System

Please point the arrow upward to the mounting hole when installing Part ⑥. then use screwdriver to tighten it in the "+" direction.

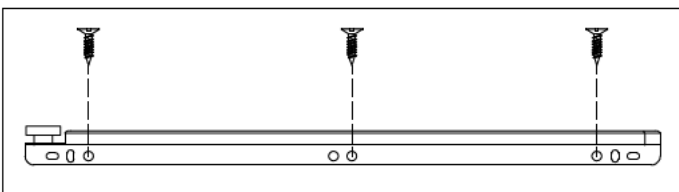
STEP 4



X3

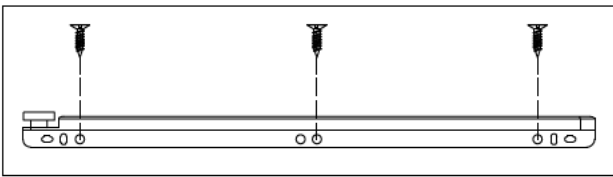
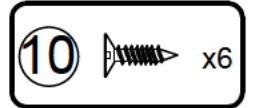
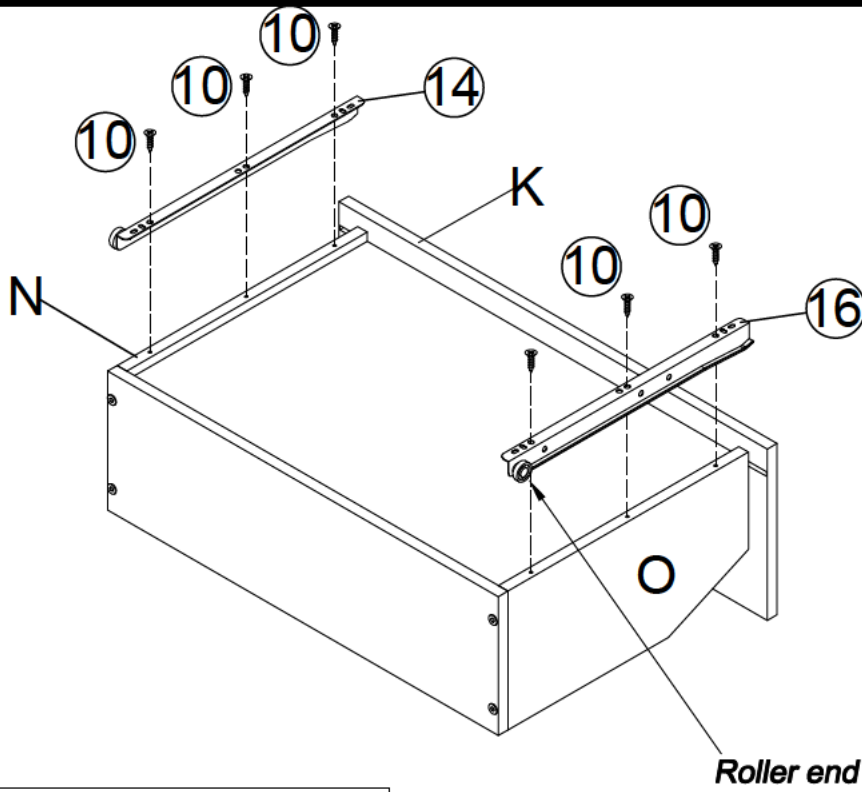


Roller end

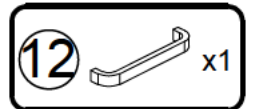
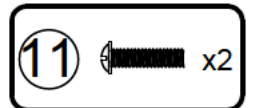
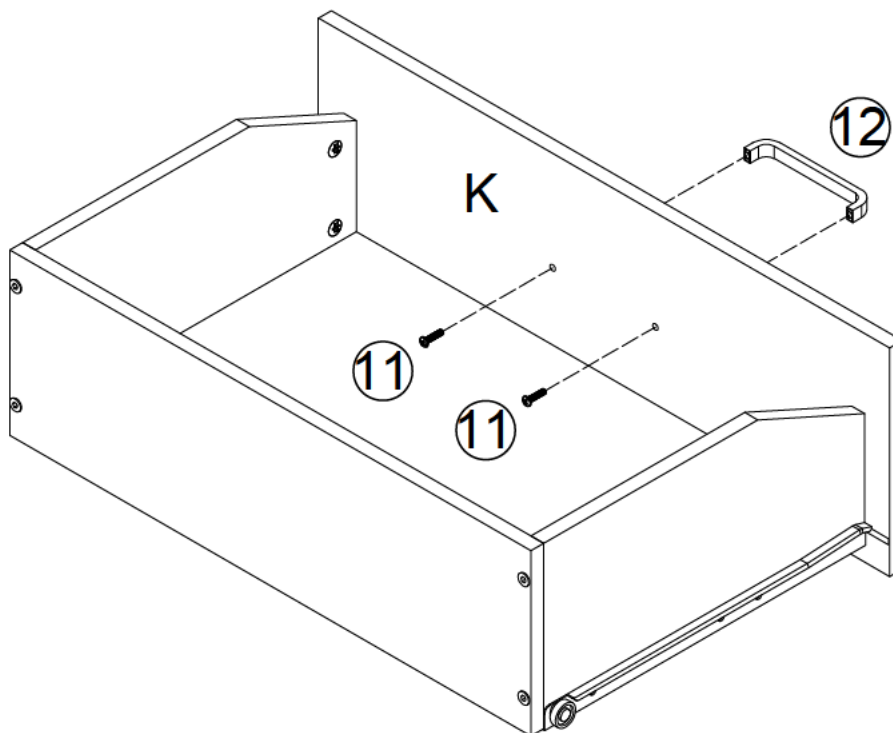


STEP 5

X1

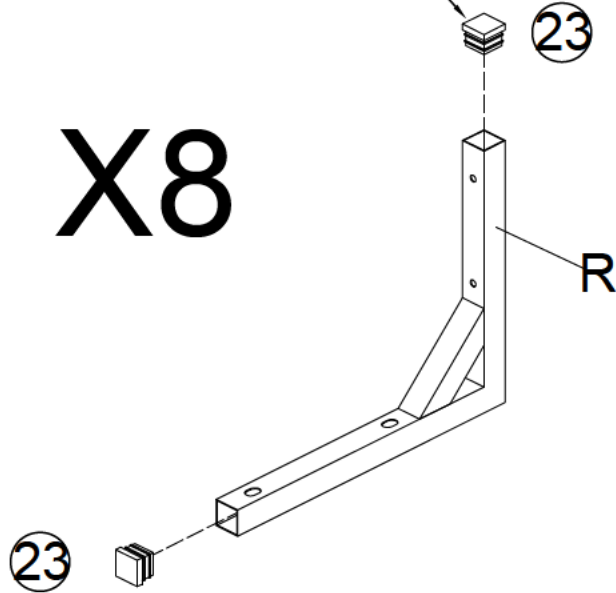


STEP 6



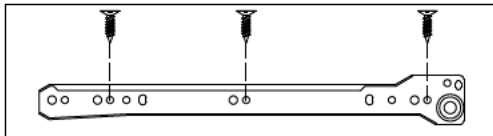
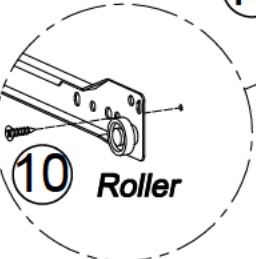
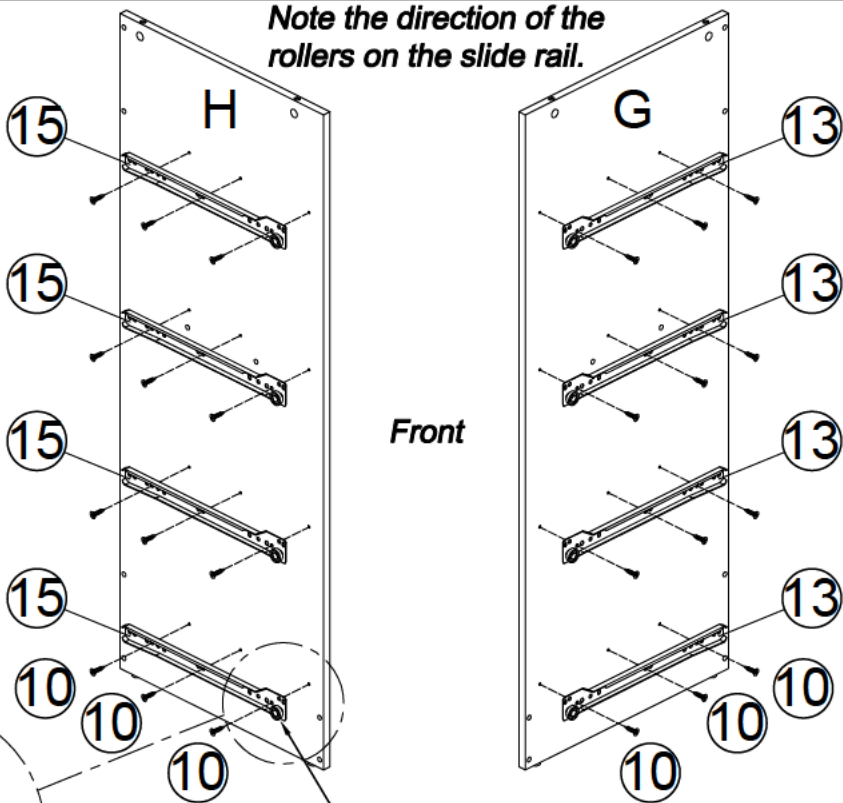
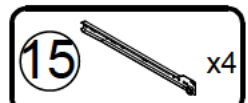
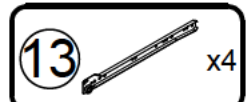
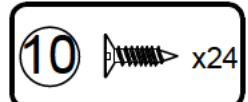
STEP 7

Please use a hammer or solid tools (not included) to knock the plastic pads into the frame.

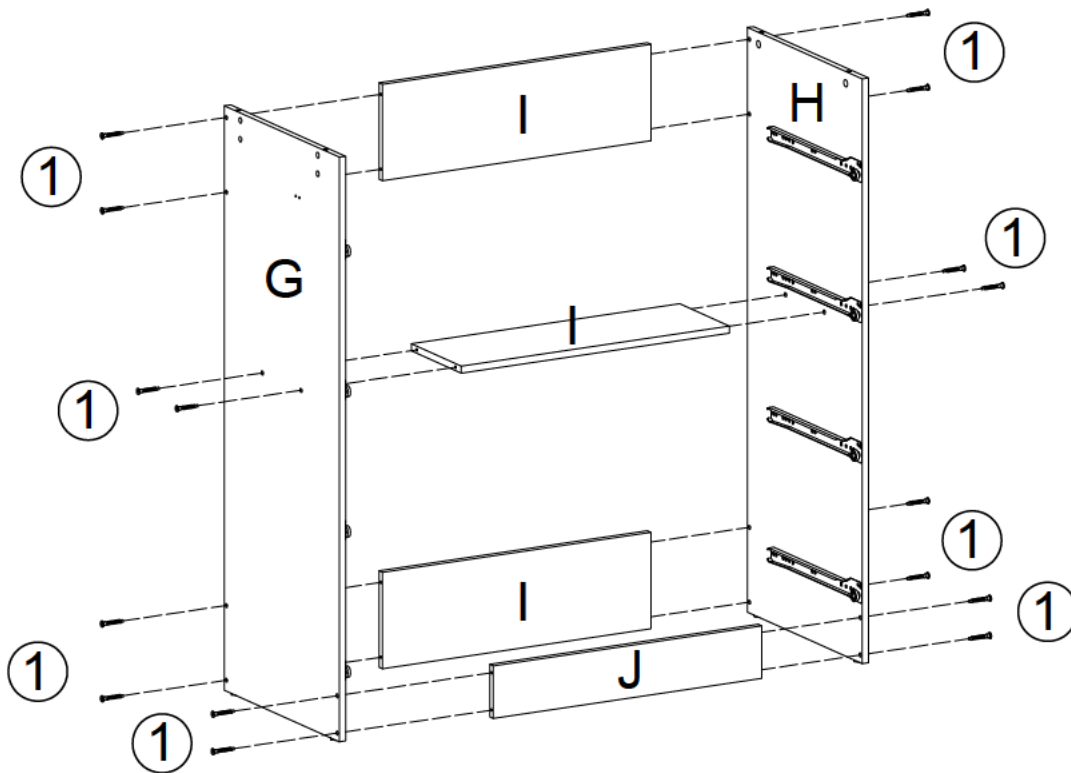
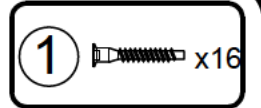


STEP 8

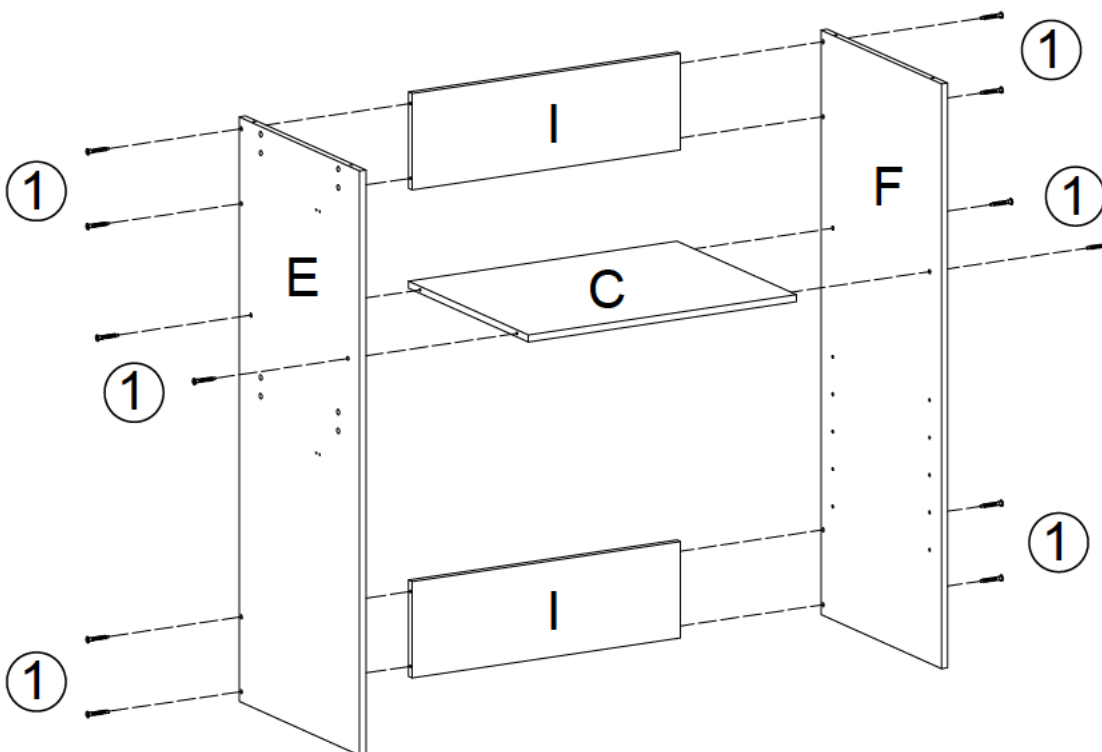
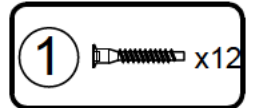
Note the direction of the rollers on the slide rail.



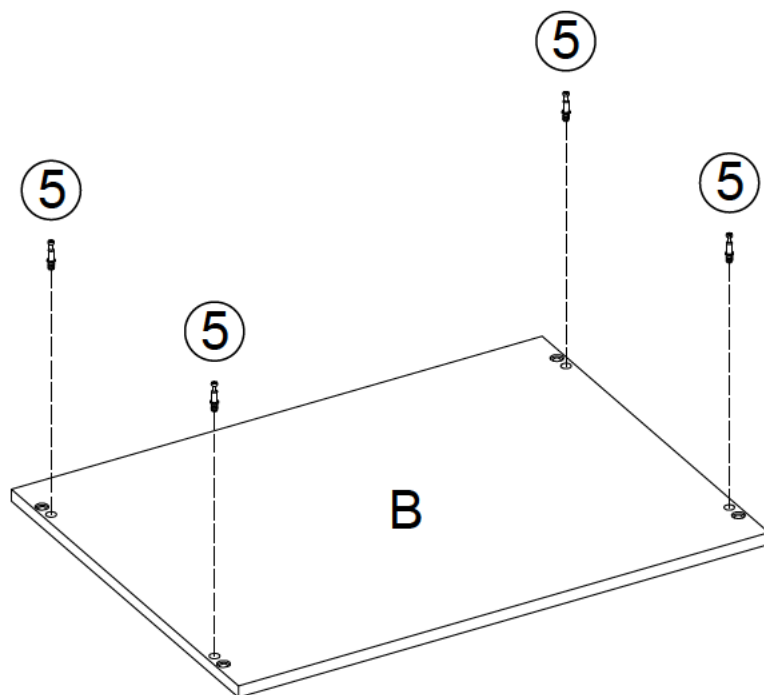
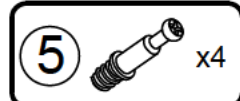
STEP 9



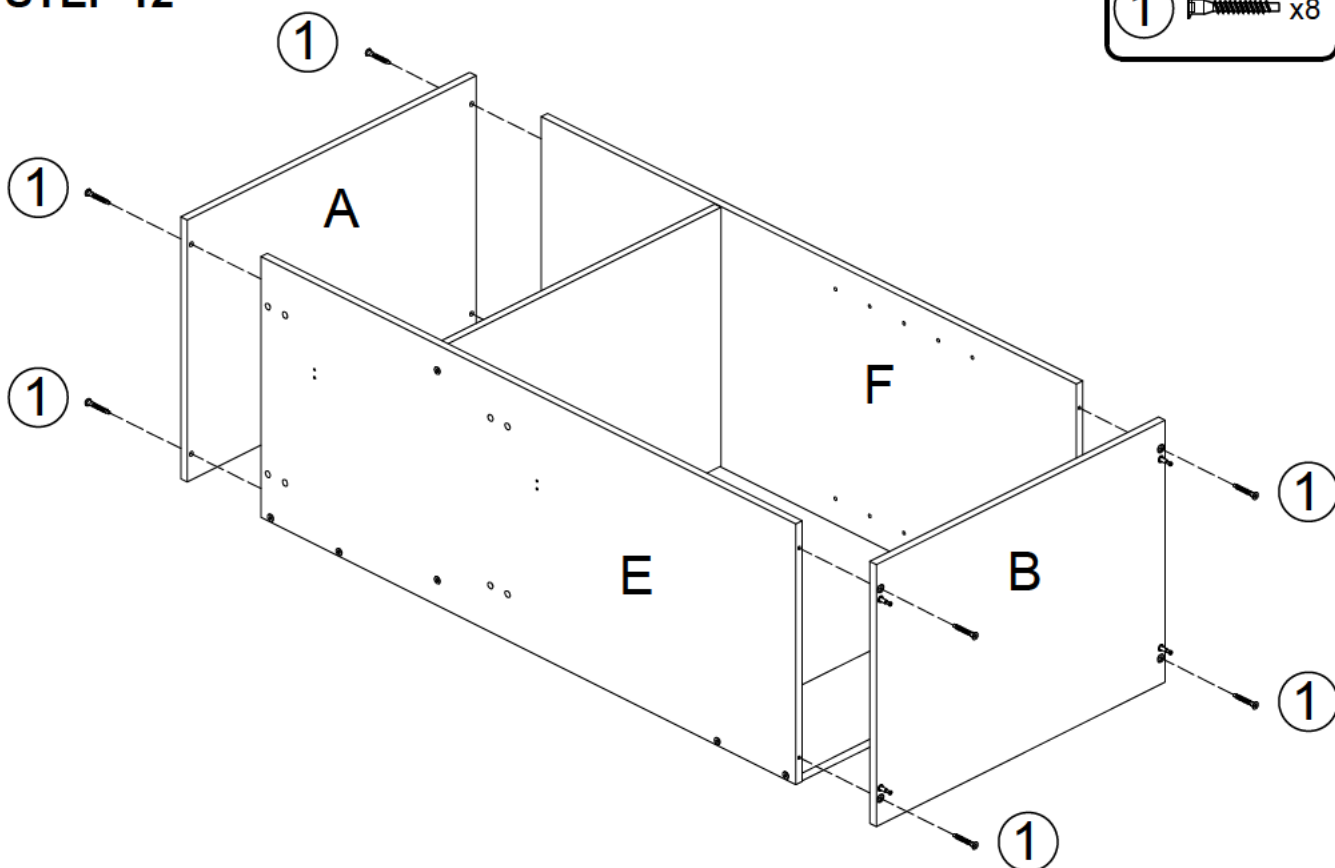
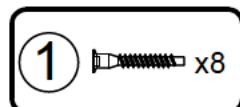
STEP 10



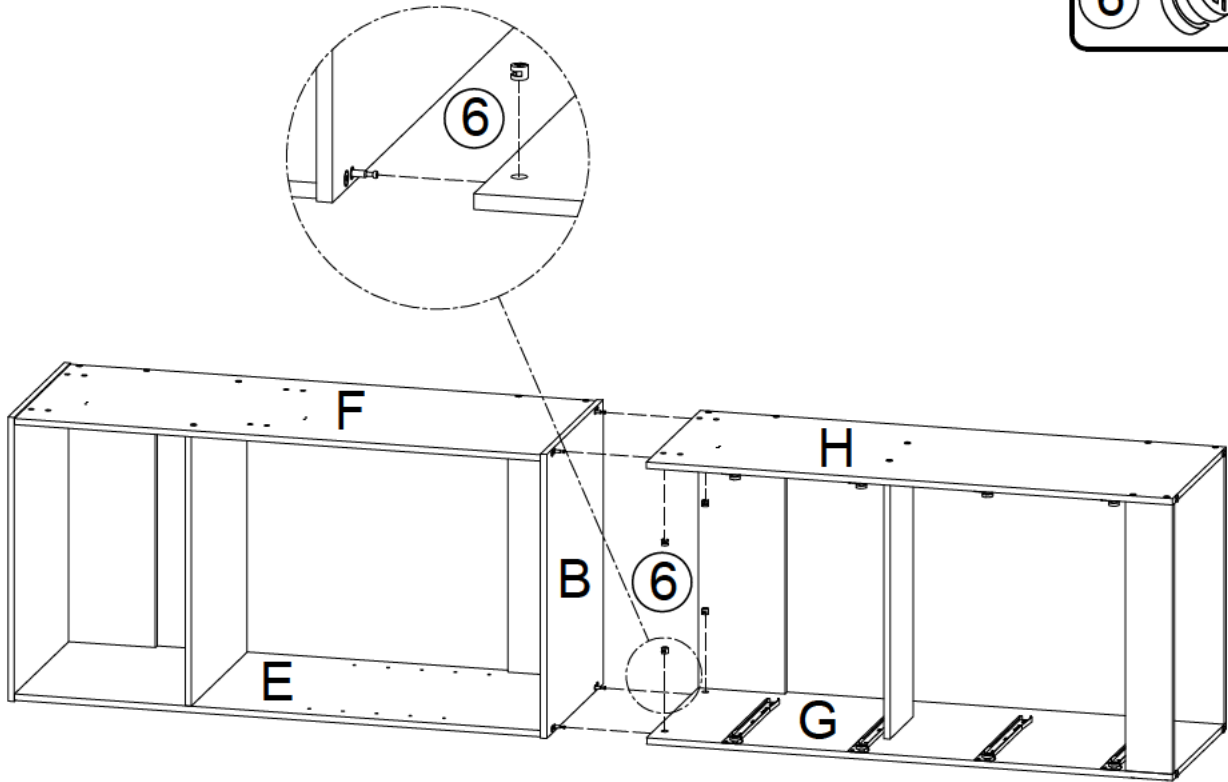
STEP 11



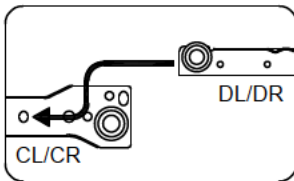
STEP 12



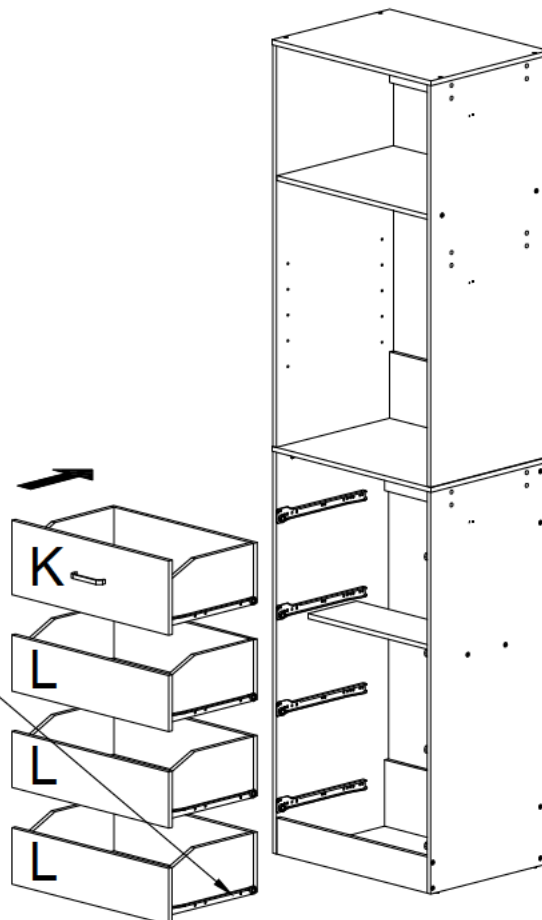
STEP 13



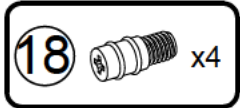
STEP 14



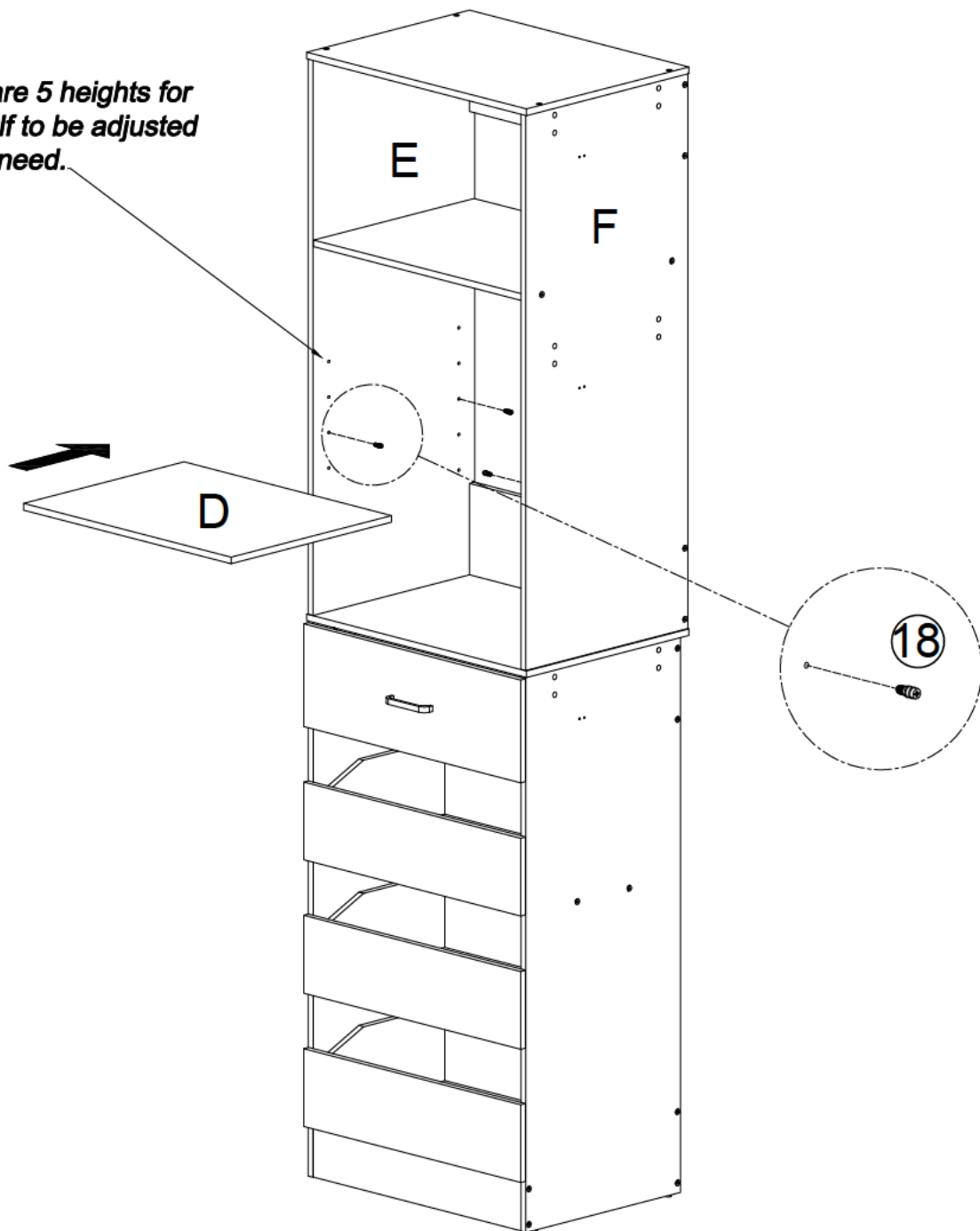
Please put the wheels align with the slots as the instruction shows, then slide into them.



STEP 15



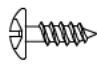


There are 5 heights for the shelf to be adjusted as you need.

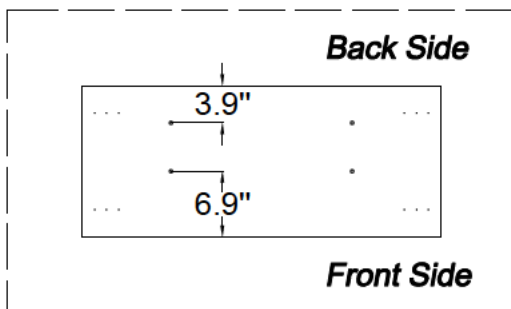
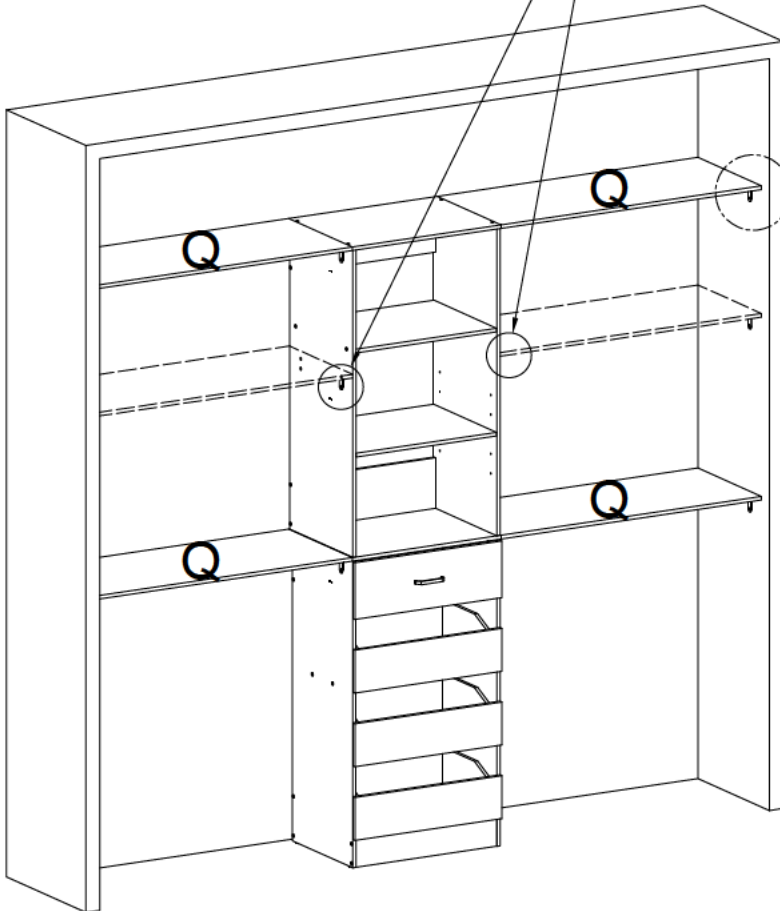


STEP 16

Long Shelf Installation

There are 3 heights for the Left / Right shelf and pole to be adjusted as you need.

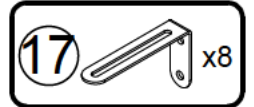
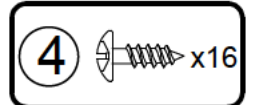
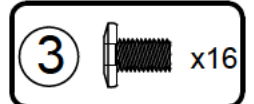
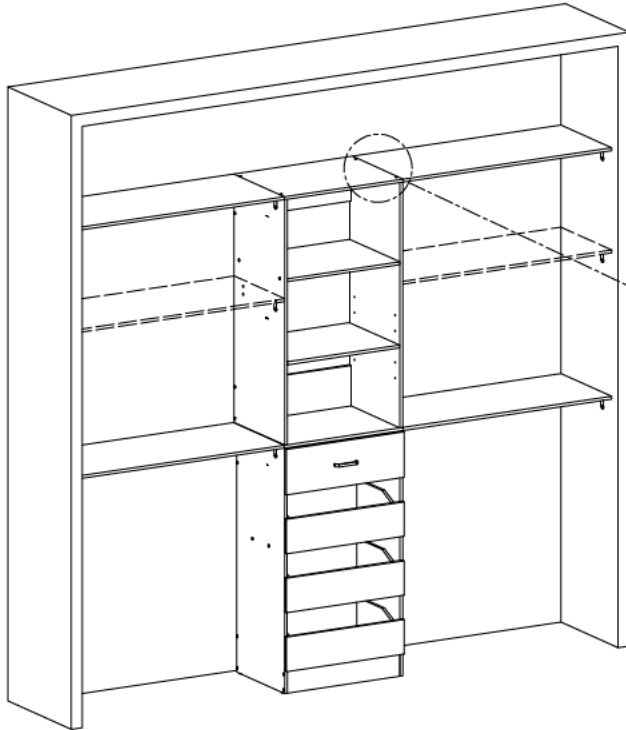
- 4  x16
- 17  x8
- 20  x16



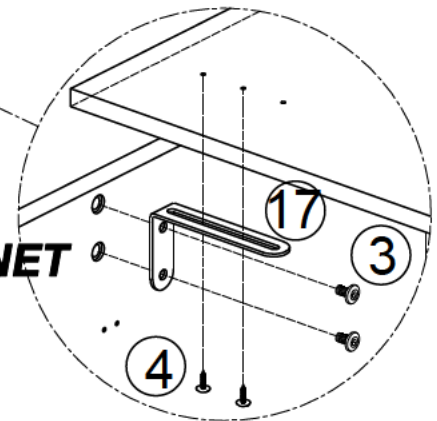
Keep the holes of the Part Q toward this direction as shown.

Note: If long shelf (Q) needs cut to fit inside your closet space, cut only one side of the shelf and do not use a hacksaw. It is recommended you hire an insured remodeler for this type of installation.

STEP 17

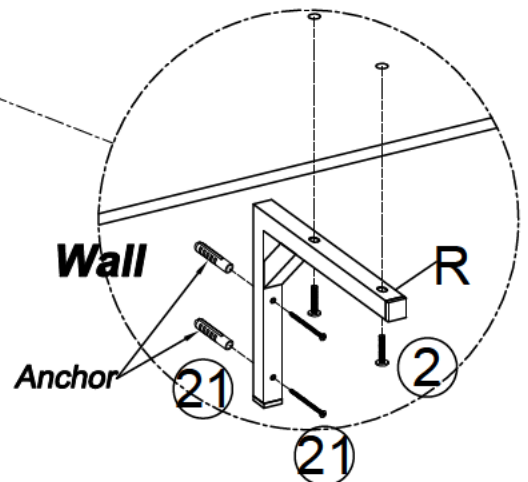
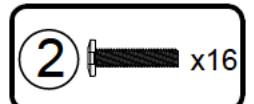
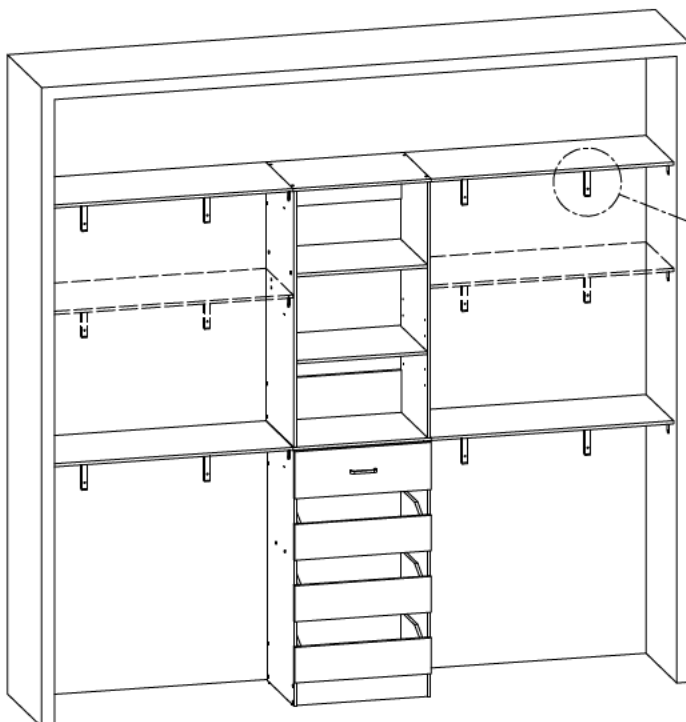


CABINET



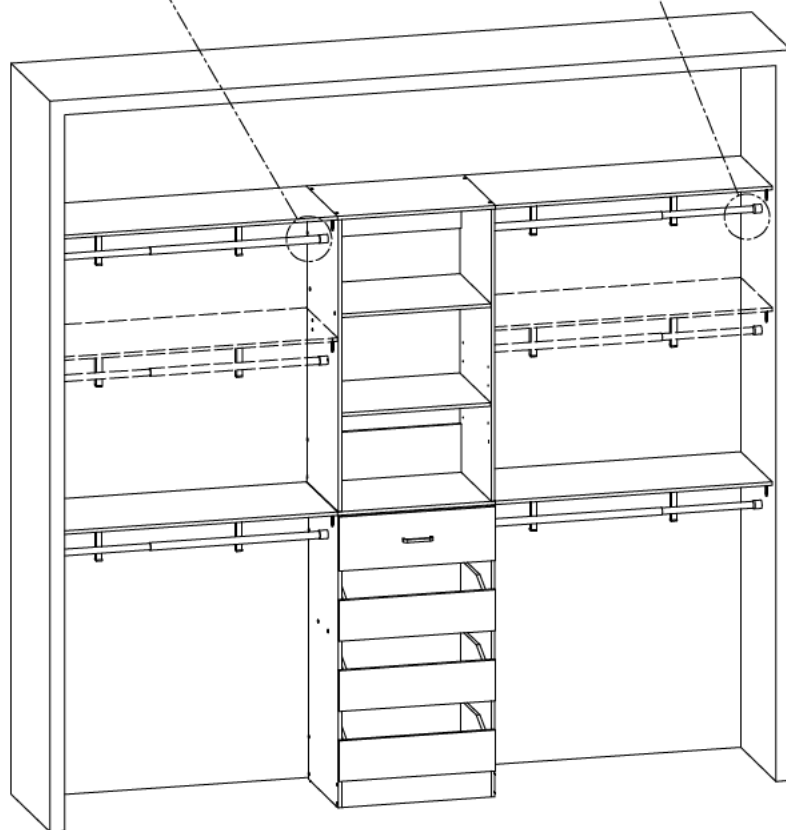
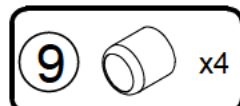
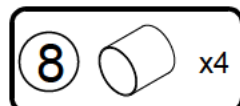
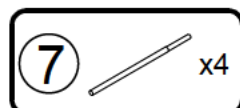
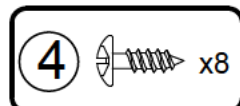
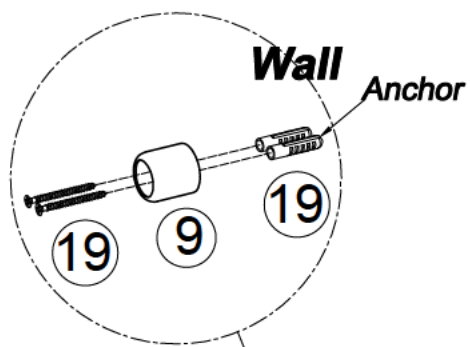
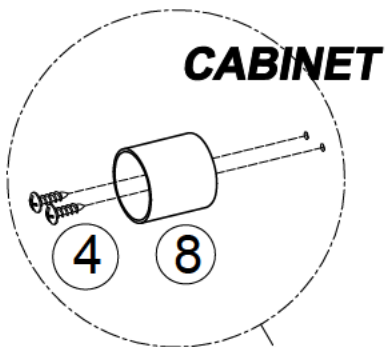
STEP 18

Shelf Support Installation

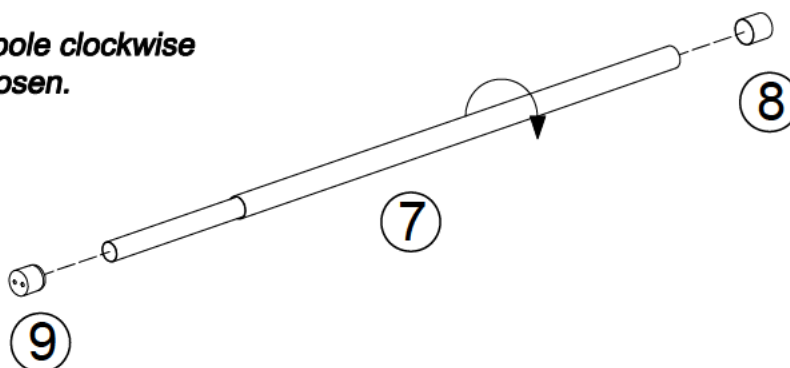


STEP 19

Pole Installation



Note: Twist the expandable pole clockwise to tighten. anticlockwise to loosen.



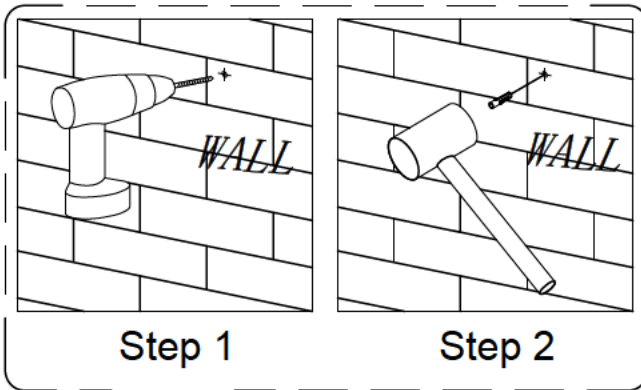
STEP 20



TIPPING RESTRAINT HARDWARE

Note: We have included two Tipping Restraint Hardware set for this Unit. When properly installed, this restraint can provide protection against the unexpected tipping of the Unit due to small tremors, bumps or climbing. We strongly recommend mounting this hardware to a wall stud and your Unit.

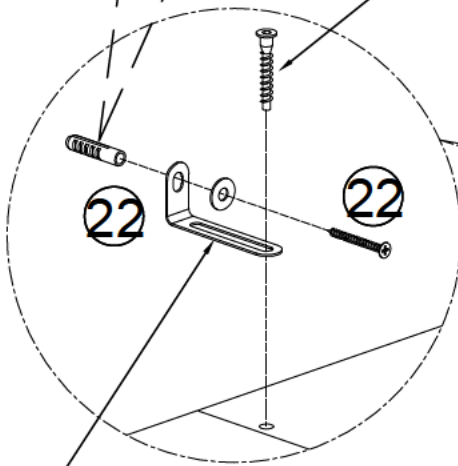
Note: You must install the Tipping Restraint Hardware with the unit in use to prevent any accidents or damage to the unit.



Step 1

Step 2

Please unscrew one Part ① screw first, then install Part ②.



Tipping Restraint Hardware

