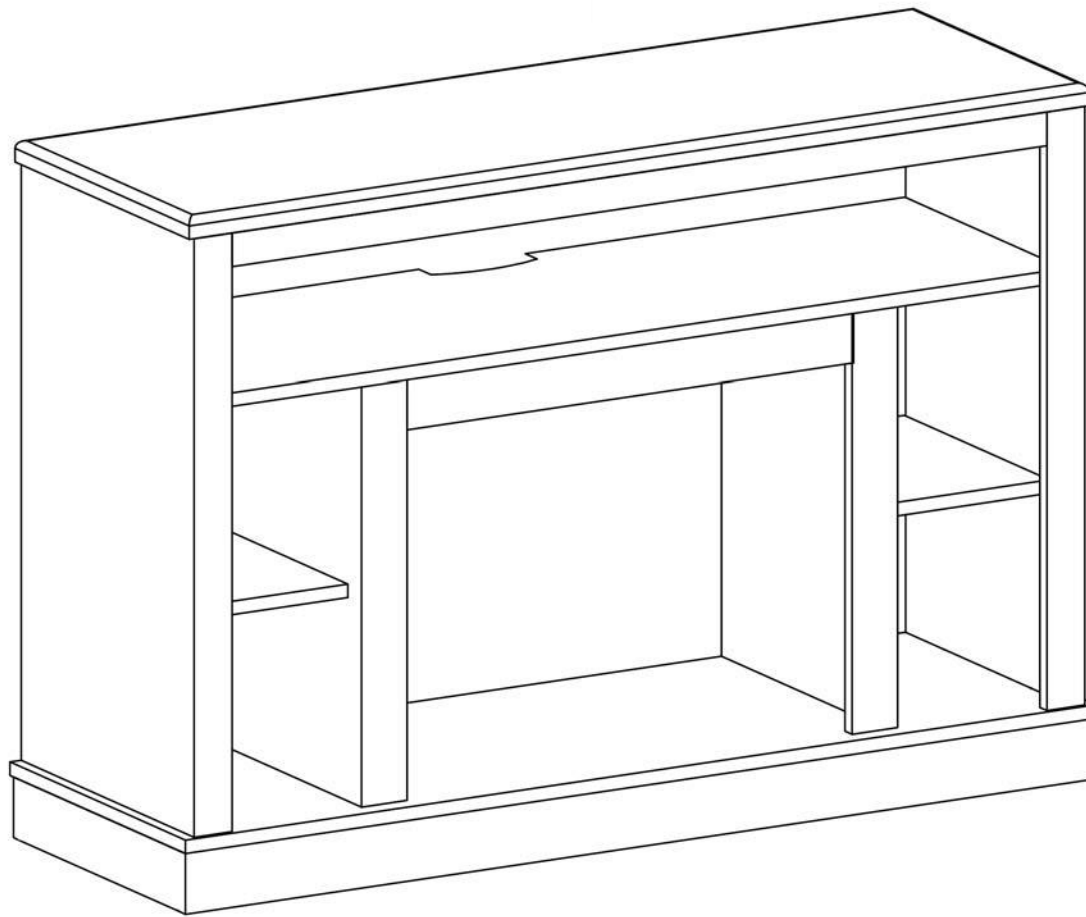
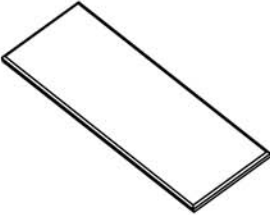
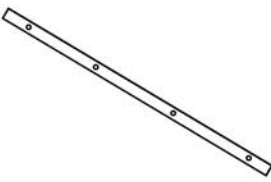


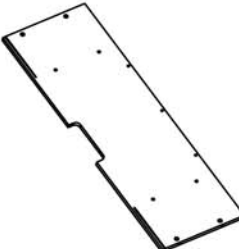
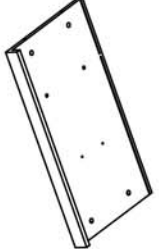
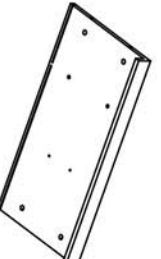

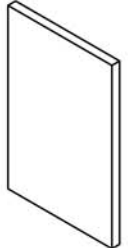
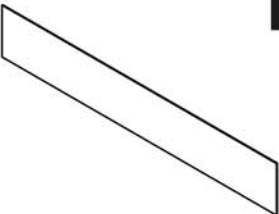

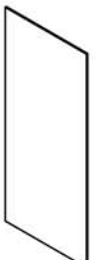
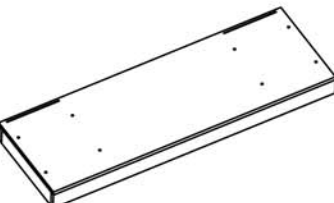
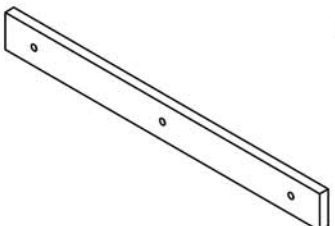


MANTEL



PACKAGE CONTENTS

 <p>A</p>	 <p>B</p>	 <p>C</p>
 <p>D</p>	 <p>E</p>	 <p>F</p>
 <p>G</p>	 <p>H₁</p>	 <p>H₂</p>
 <p>I</p>	 <p>J₁</p>	 <p>J₂</p>
 <p>K</p>	 <p>L</p>	

HARDWARE CONTENTS

AA

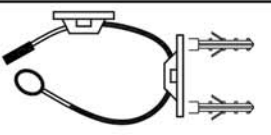
 Bolt
 Qty. 27

BB

 Metal
 Connector
 Qty. 27

CC

 Shelf Pin
 Qty. 8

SS

 MOUNTING BRACKET 2
 ANCHOR 2
 NYLON STRAP 1
 FLAT HEAD SCREW (4*35MM) 4
 FLAT HEAD SCREW (4*15MM) 4
 Safety Chain
 Qty. 1

PACKAGE CONTENTS

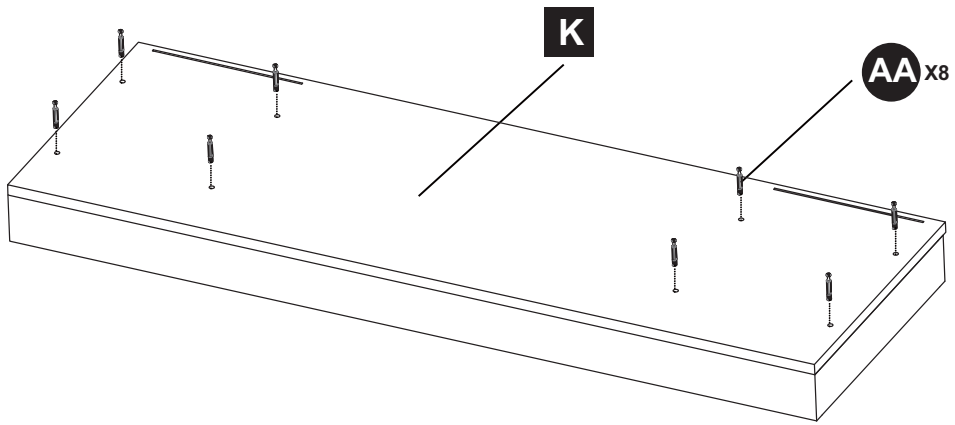
PART	DESCRIPTION	QTY.
A	Top Panel	1
B	Top Trim Panel	1
C	Left Inner Panel	1
D	Right Inner Panel	1
E	Top shelf	1
F	Left Side Panel	1
G	Right Side Panel	1
H1	Adjustable Shelf	1
H2	Adjustable Shelf	1
I	Upper Back Panel	1
J1	Lower Back Panel	1
J2	Lower Back Panel	1
K	Base	1
L	Shelf Rail	1
AA	Bolt	27
BB	Metal Connector	27
CC	Shelf Pin	8
SS	Safety Chain	1

Some parts and specifications may change without notice.

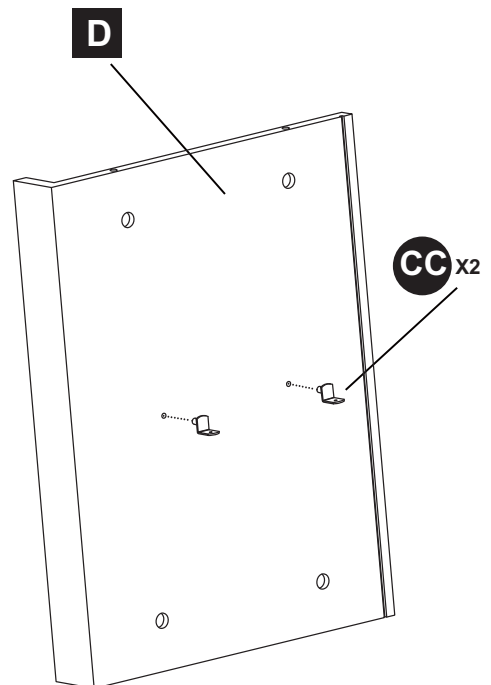
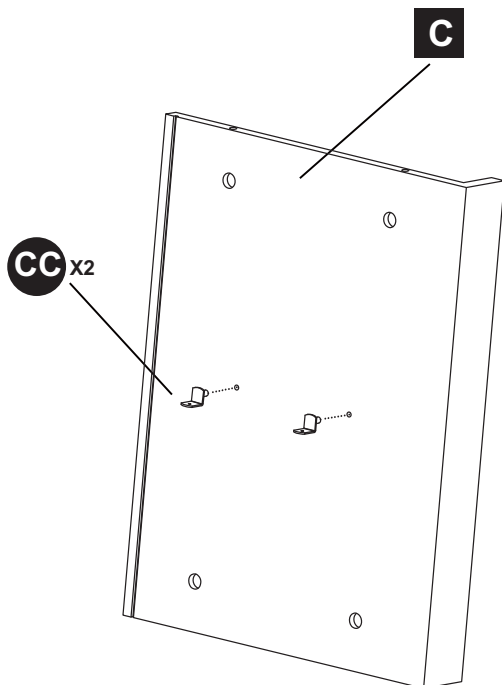
Carefully remove all pieces from the carton and make sure that you have all parts listed (refer to parts list on page 2-3).

PACKAGE STEPS

1.

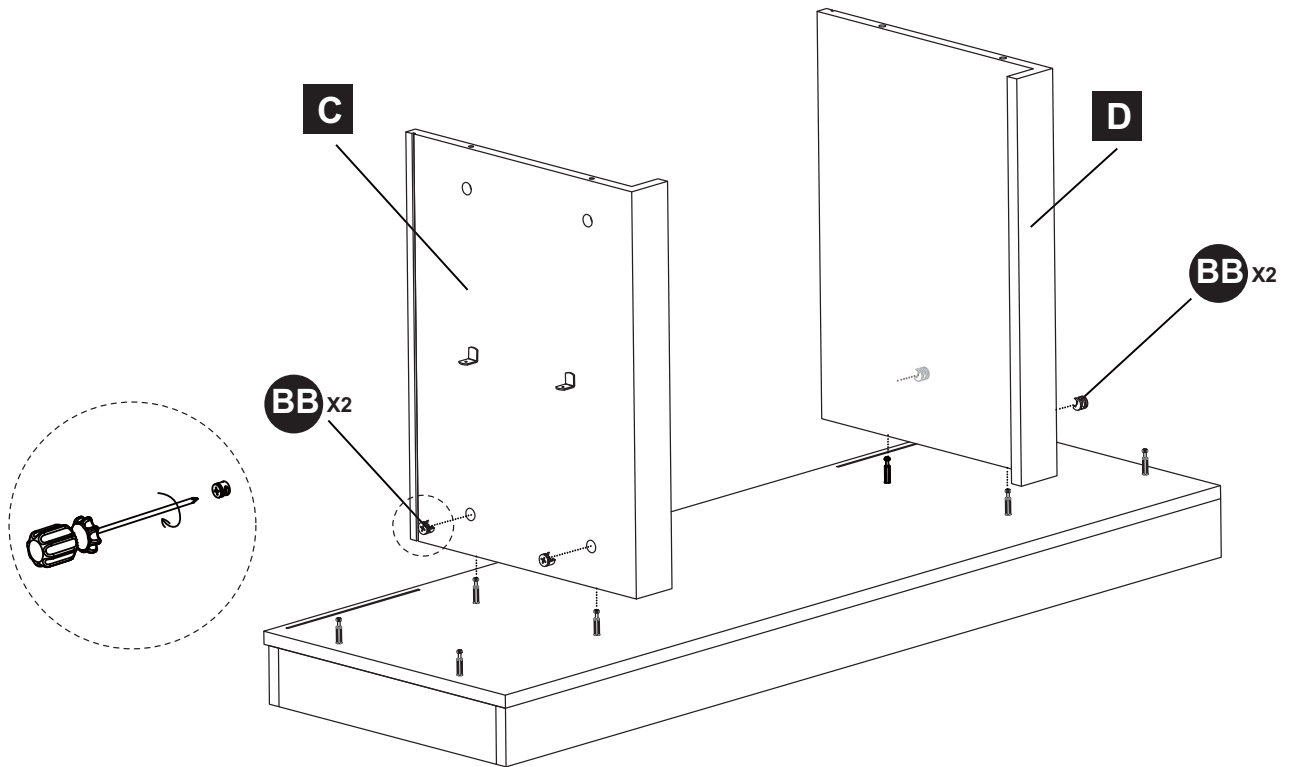


2.

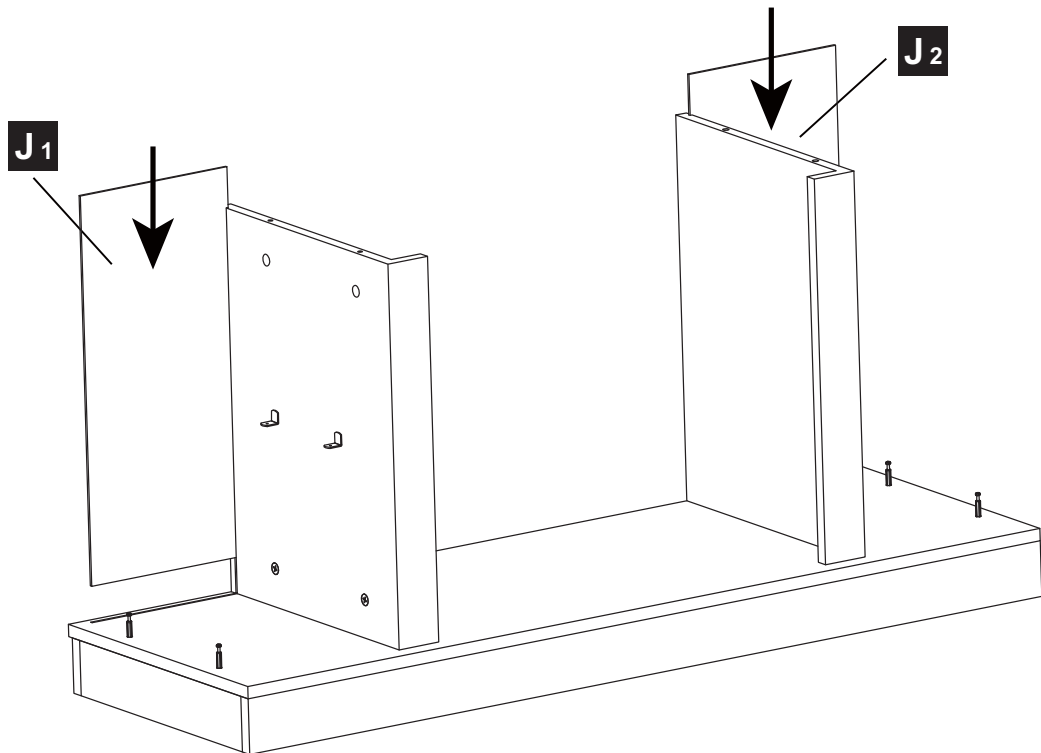


PACKAGE STEPS

3.

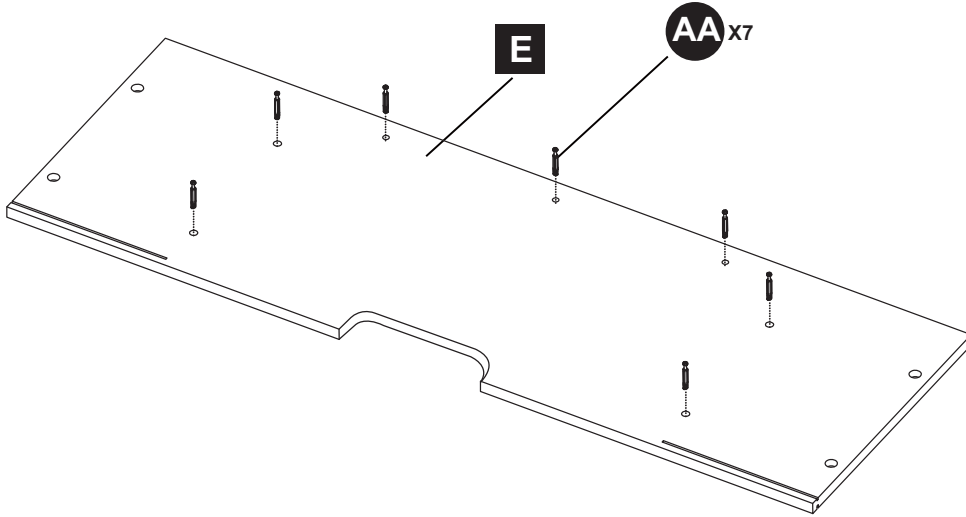


4.

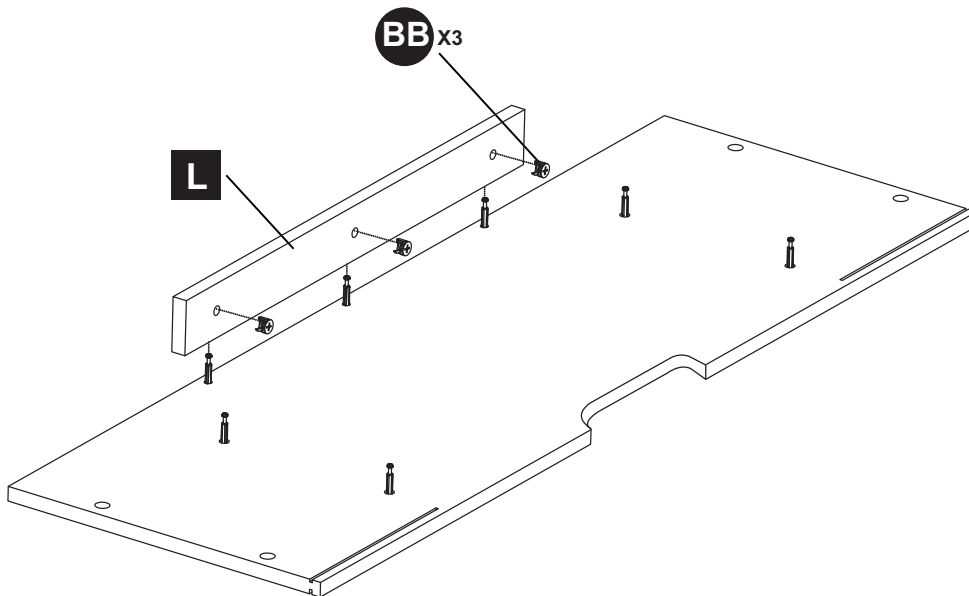


PACKAGE STEPS

5.

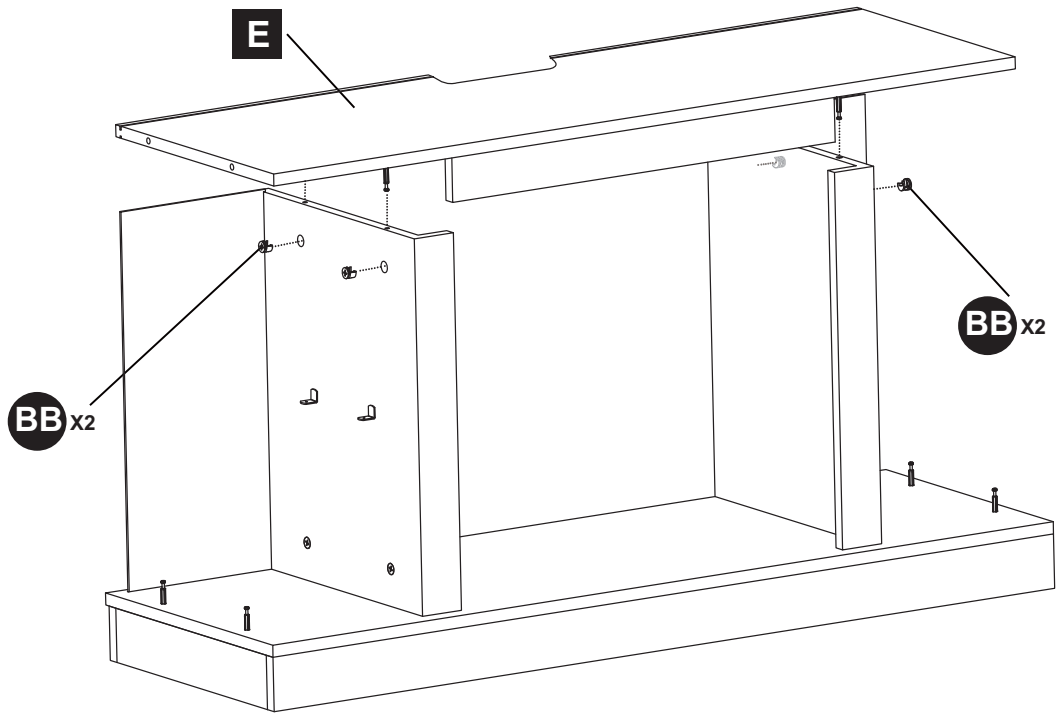


6.

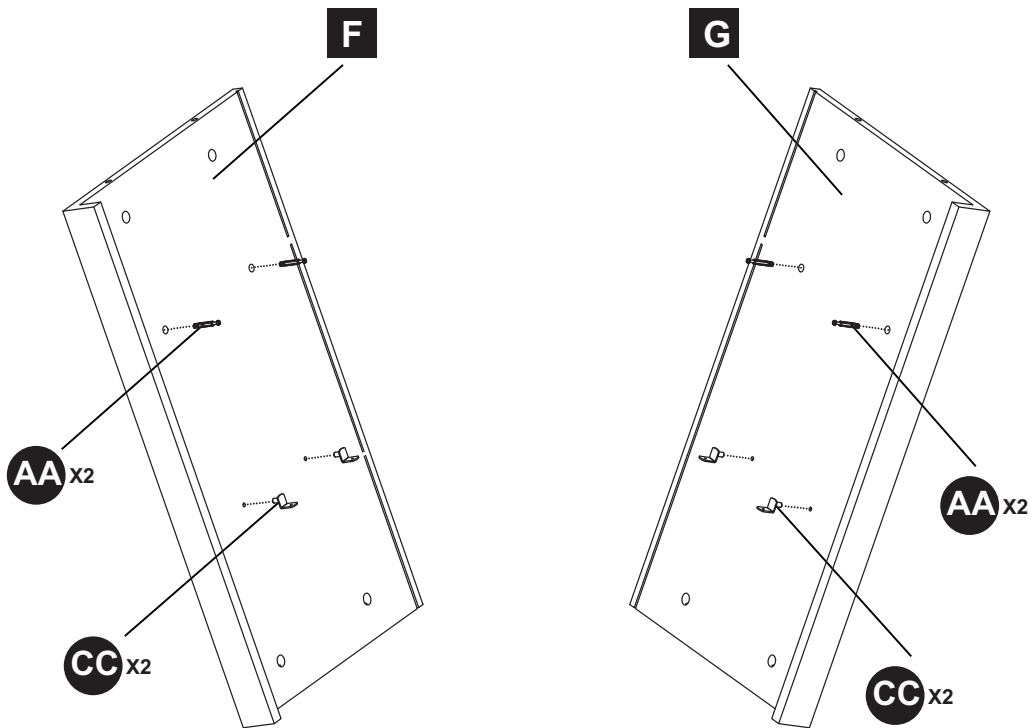


PACKAGE STEPS

7.

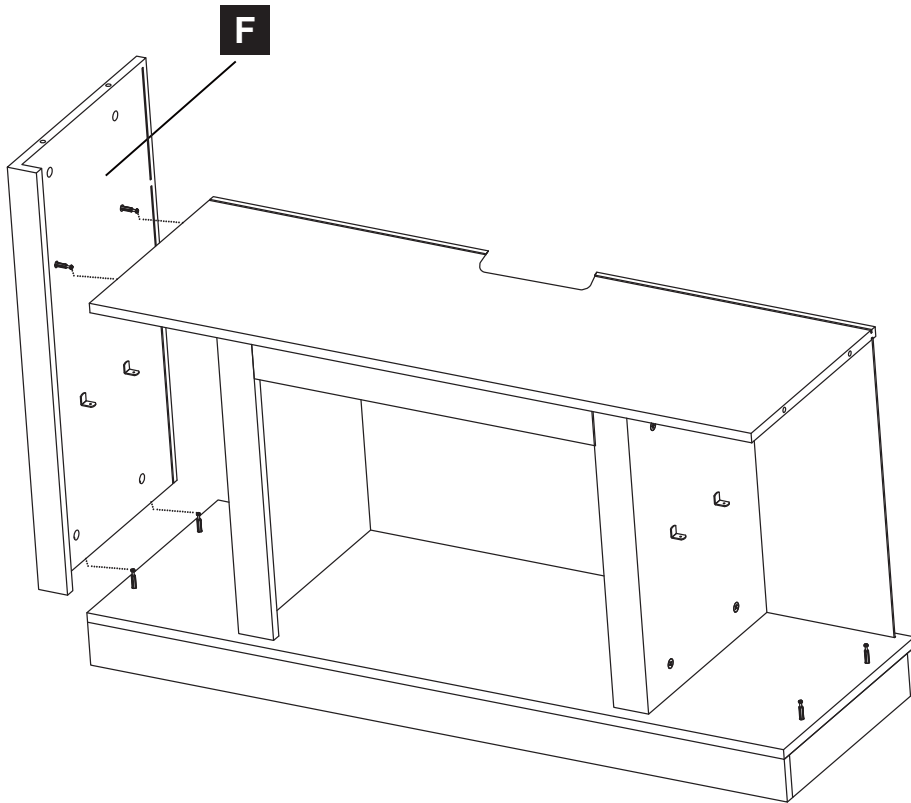


8.

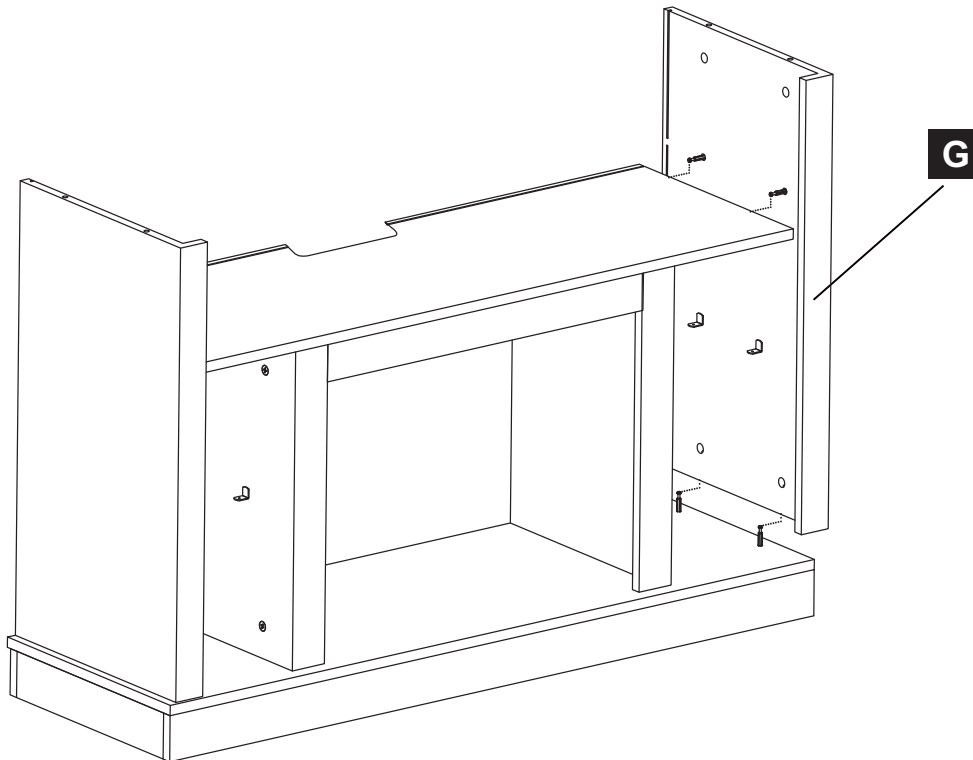


PACKAGE STEPS

9.

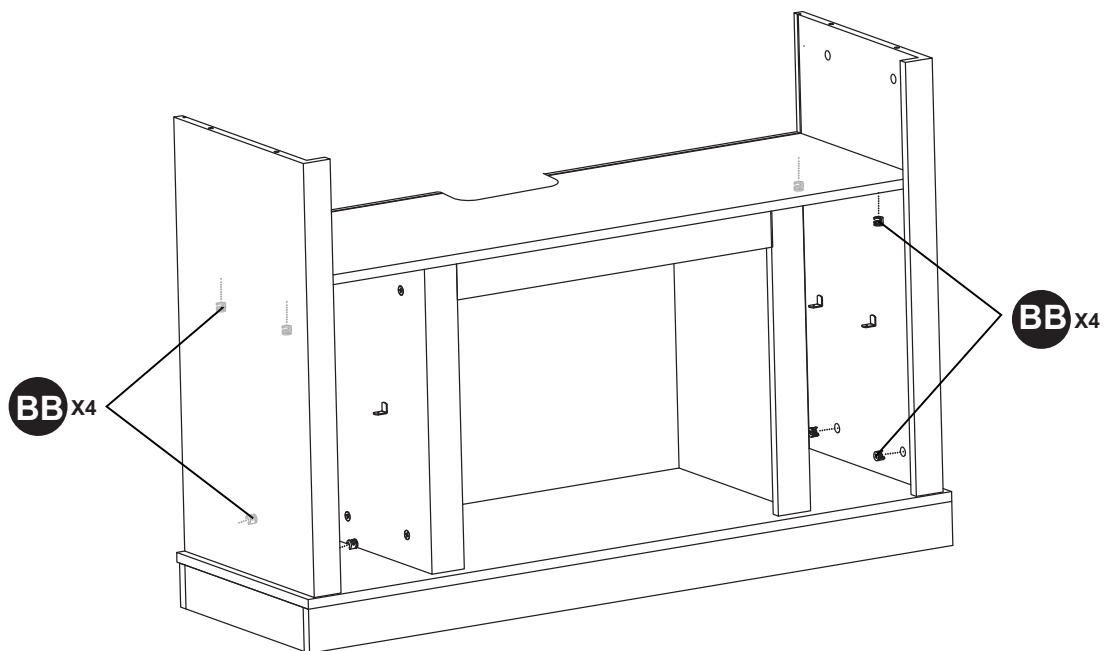


10.

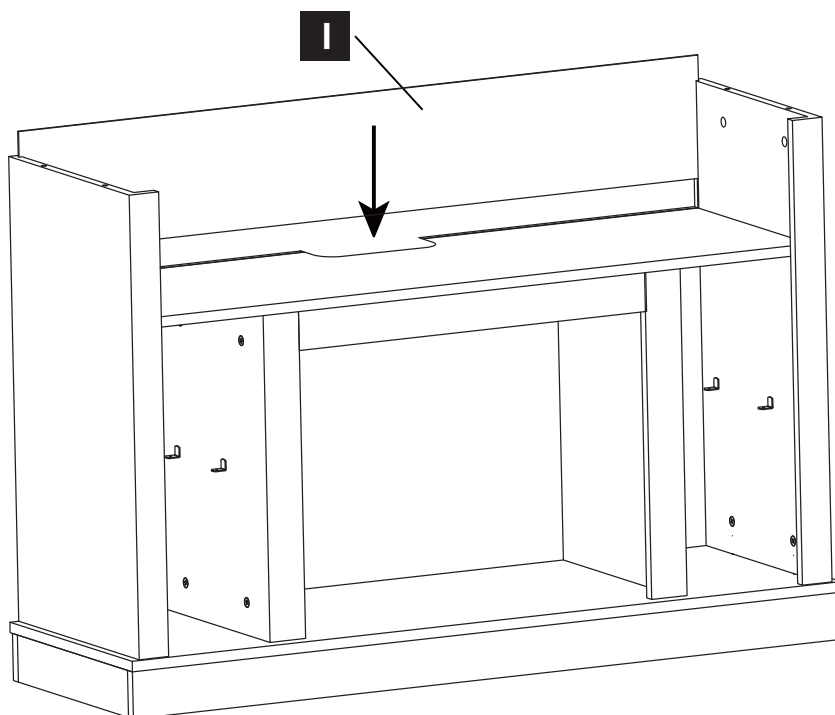


PACKAGE STEPS

11.

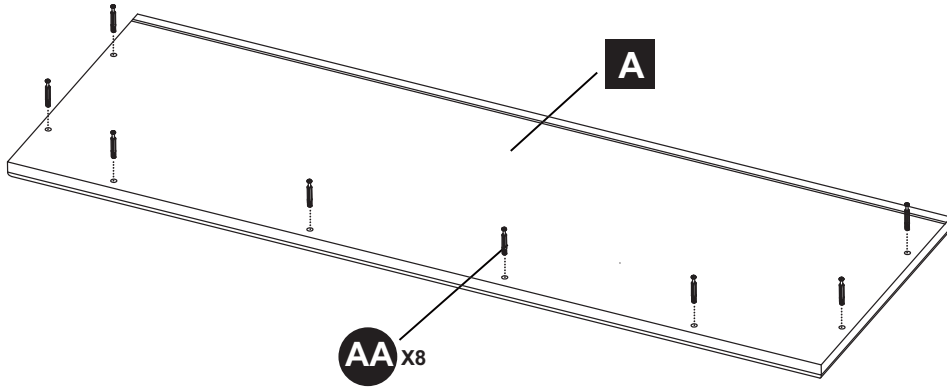


12.

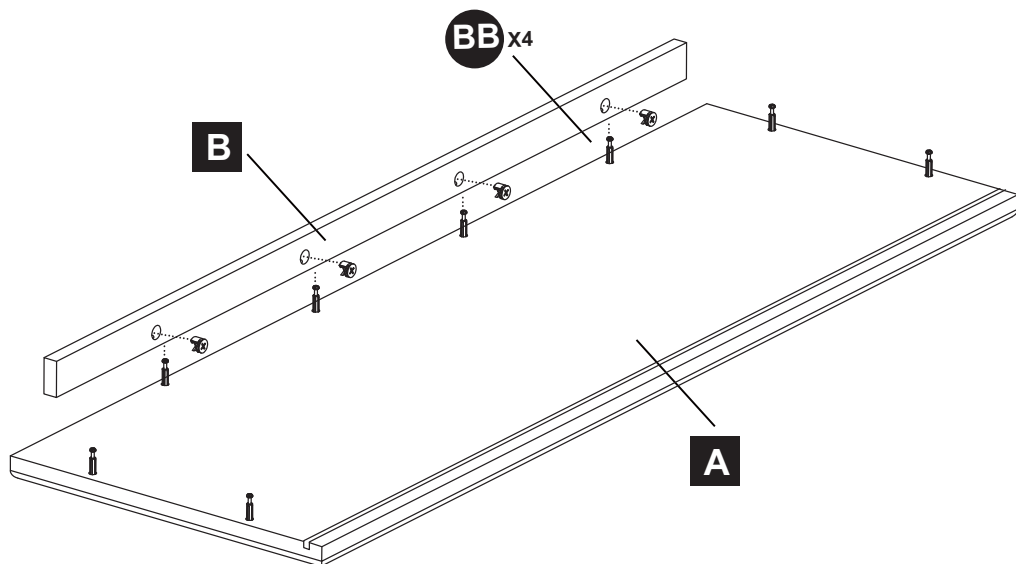


PACKAGE STEPS

13.

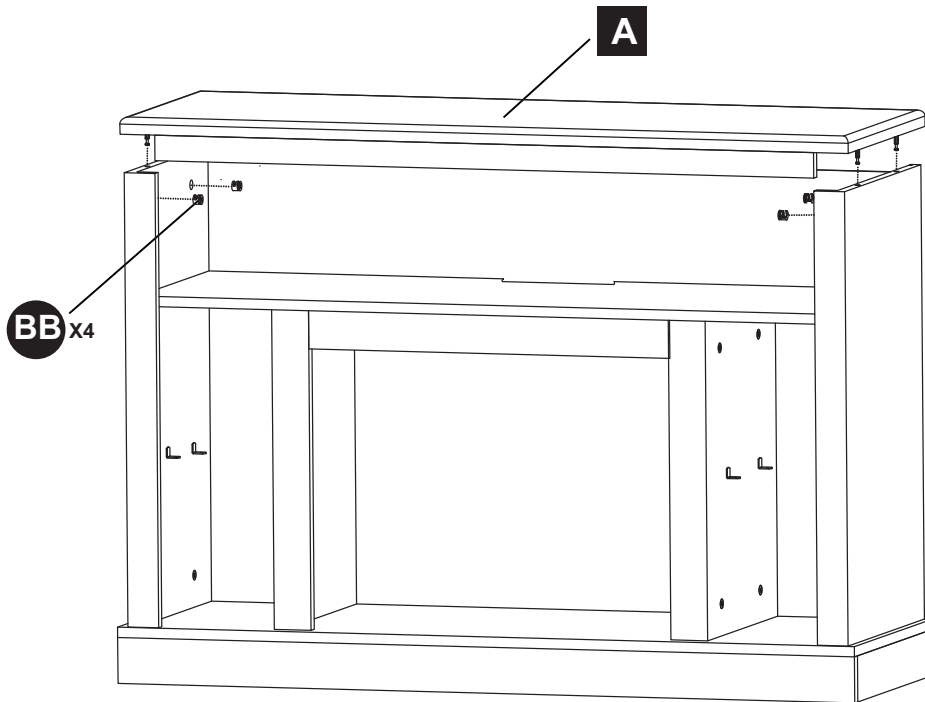


14.

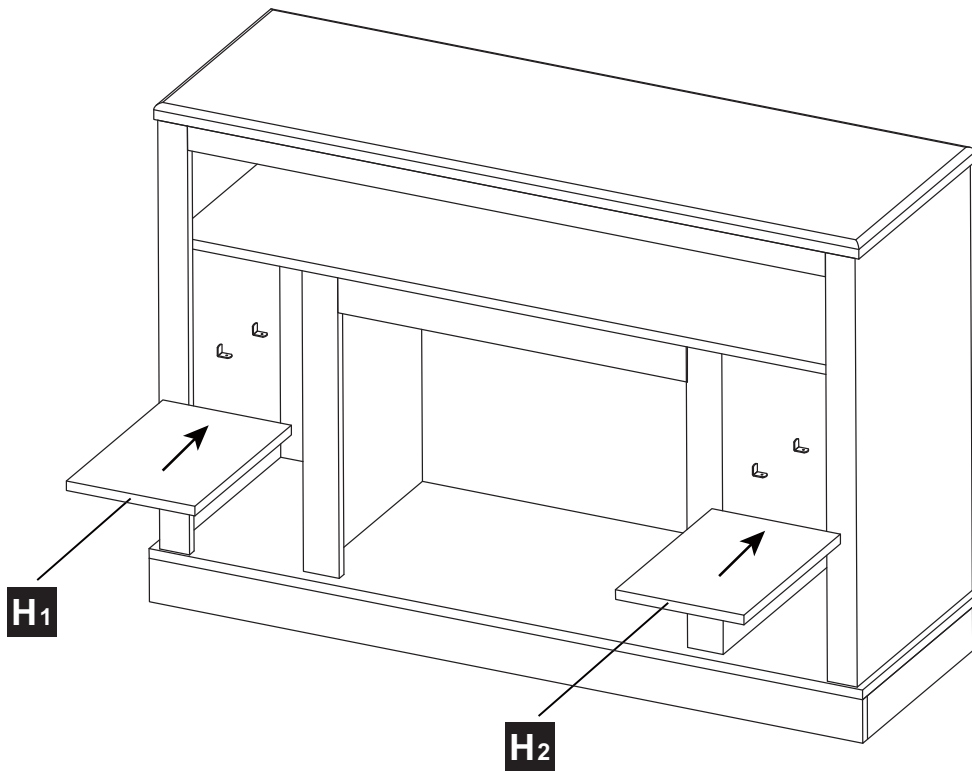


PACKAGE STEPS

15.



16.

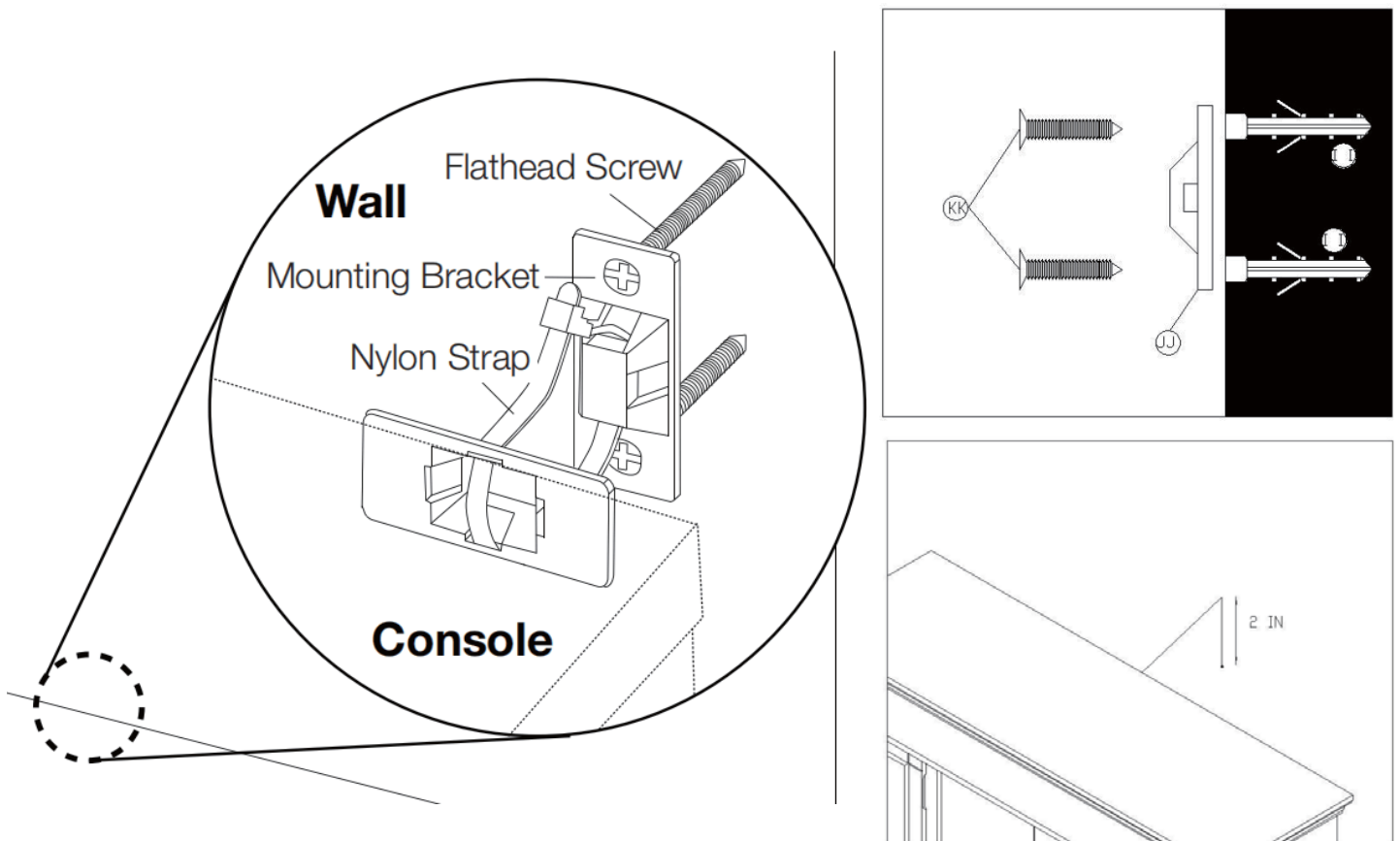


PACKAGE STEPS

IMPORTANT - Safety Chain Installation

WARNING:

This mantel is heavy furniture. Please be sure to correctly attach the safety chain to both the mantel and an adjacent wall. Failure to do so can cause serious injury or death.



INSTALLATION:

- Assemble the mantel and place it in position
- Attach one end of the chain to a wall stud using the screw included
- Attach the other screw – through a link in the chain – to the center of the mantel's top board (you may need to drill a small starter hole). Put the screw through the chain link that allows the least amount of slack in the chain.
- Carefully test that the installed chain adequately prevents tipping or tilting of the mantel.

NOTE: The chain must be as short as possible to prevent the mantel tipping forward. Do not allow slack in the chain.