

# INSTRUCTIONS



Product Name:Coat racks

ZJJ174 ZJJ174-WT ZJJ174-G1

Manufacturer: Shenzhen Rambos Technology Co.,LTD

Address:301# 3F,Building 9,Jinfanghua Industrial Zone,49 of South  
Wuhedadao,bantian,Longgang district  
shenzhen

REPÚBLICA POPULAR DE CHINA

Country of origin:Made in China

Email:UNHO@wisfor.com

Warning:

Prevent cargo from tipping over and crushing onto people.

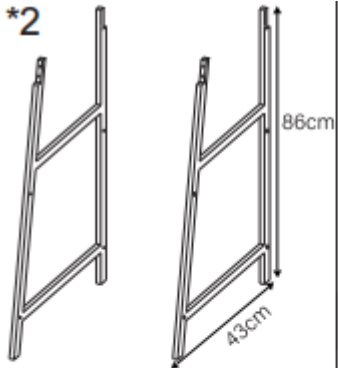
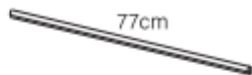
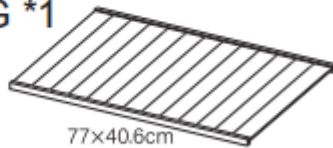
## WARNING

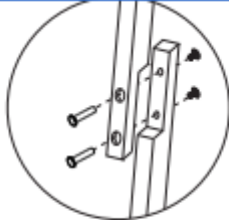
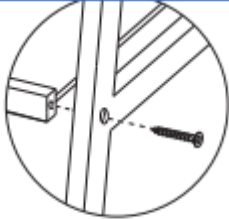
To prevent injury or tipping:

This clothes rack **MUST** be used on a flat, stable floor only.  
Do not overload the rack; evenly distribute weight across  
hanging rods and shelves.

Never allow children to climb, hang, or swing on the rack.

Keep the rack away from heat sources, sharp objects, and direct  
sunlight.

**A \*2****B \*2****C \*1****D \*2****E \*1****F \*1****G \*1****H1 \*8****H2 \*8****I \*32****J \*10****K \*1**



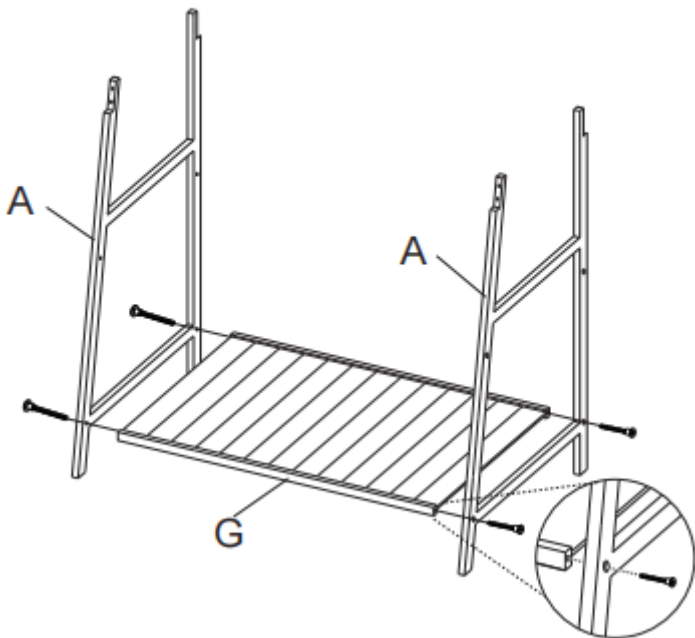
1. Do not tighten the screw when it is installed. It is best to tighten it one by one after all the installation is finished.

2. Do not tighten the screw, or the product may burst.

1



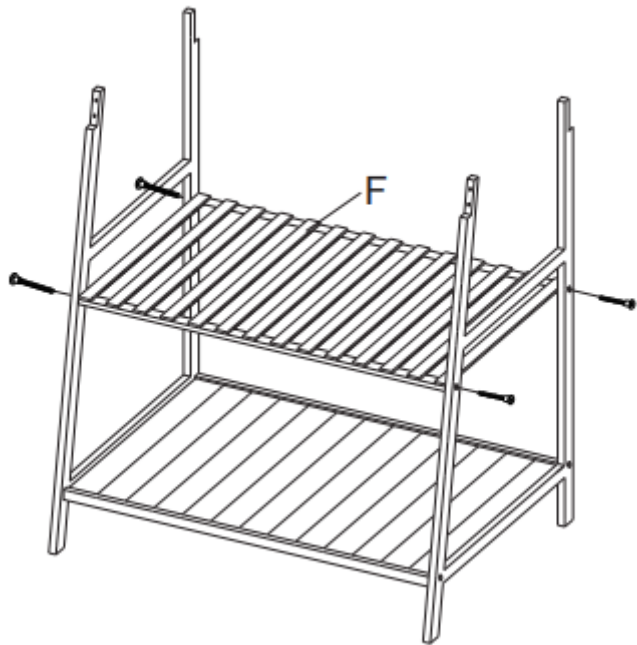
1 x 4



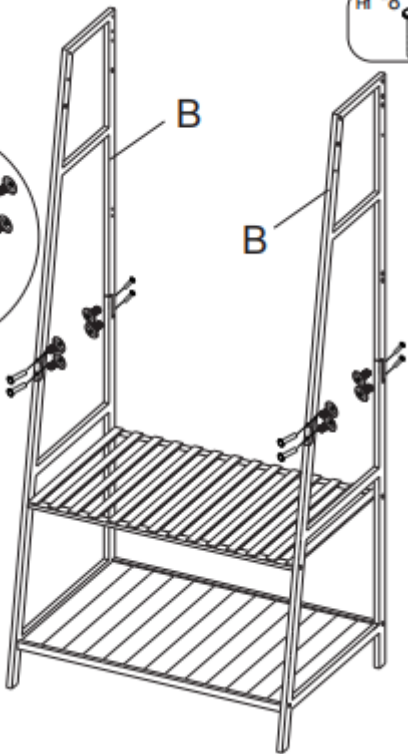
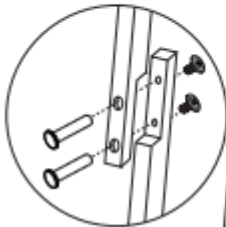
2



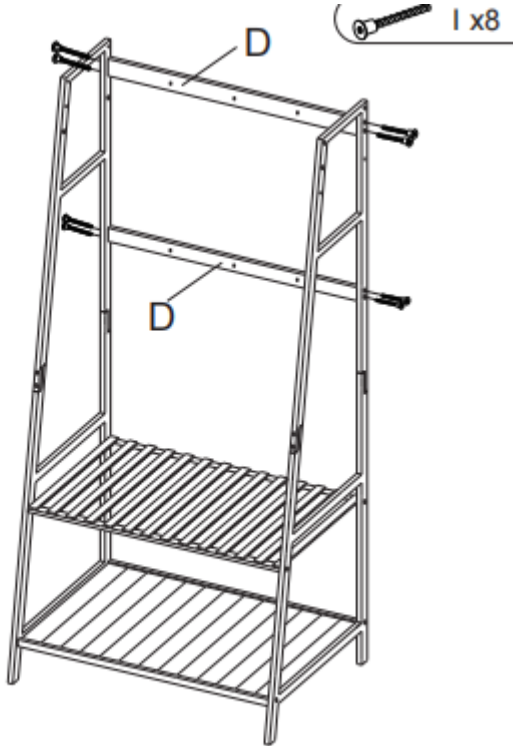
1 x 4



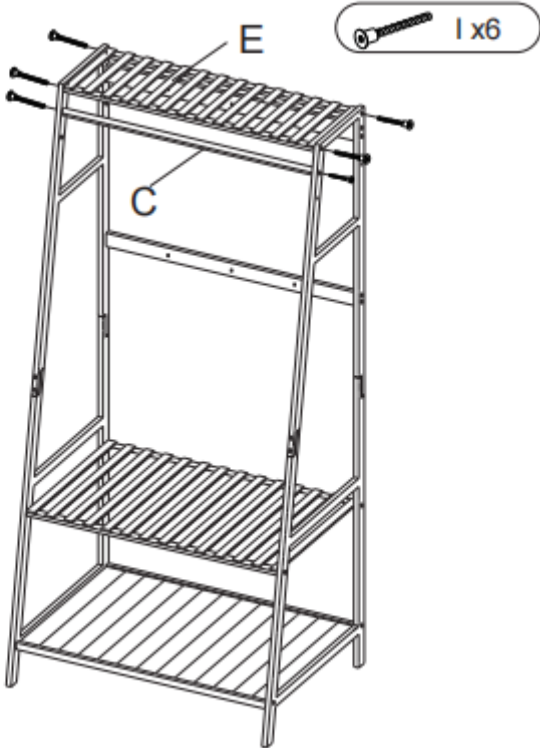
3



4



5



6



I x10



J x10

