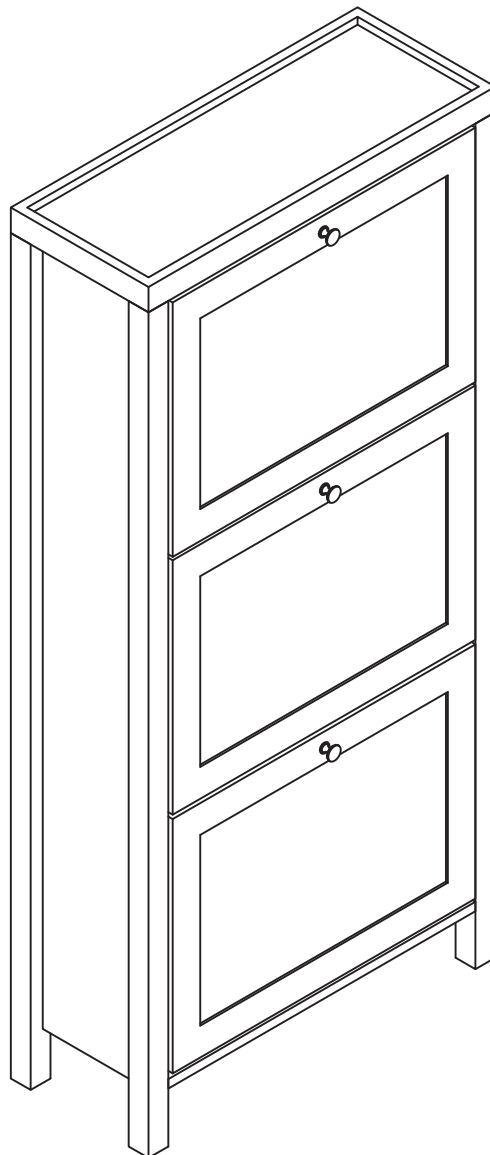


Instruction manual

3 DOOR SHOE CABINET, NOIR BLACK



CONTENTS

Safety and care advice	1
Components	2
Assembly instructions	4
Copyright	13



SAFETY AND CARE ADVICE



PLEASE READ THESE INSTRUCTIONS CAREFULLY AND KEEP FOR FUTURE REFERENCE

- **Warning:** Please lift with care.
- Check you have all the components and tools listed on pages 2 and 3.
- Remove all fittings from the plastic bags and separate them into their groups.
- Keep children and animals away from the work area, small parts could choke if swallowed.
- Make sure you have enough space to lay out the parts before starting.
- Do not stand or put weight on the product, this could cause damage.
- Assemble the item as close to its final position (in the same room) as possible.

- Assemble on a soft level surface to avoid damaging the unit or your floor (use opened out unit carton).



- We do not recommend the use of power drill/drivers **for inserting screws**, as this could damage the unit. Only use hand screwdrivers.
- Dispose of all packaging carefully and responsibly.

CARE AND MAINTENANCE

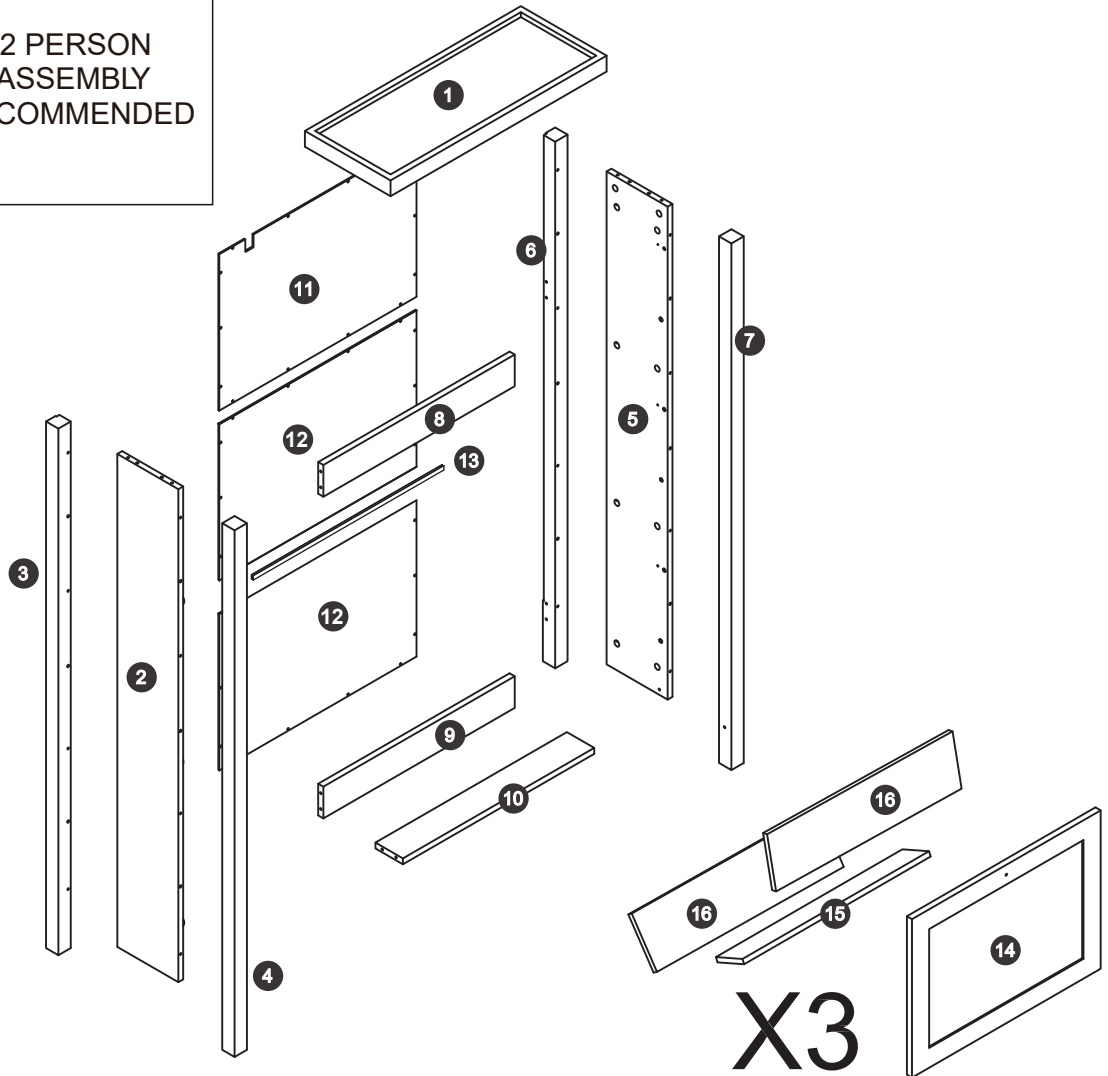
- Only clean using a damp cloth and mild detergent, do not use bleach or abrasive cleaners.
- From time to time check that there are no loose screws on this unit.

- This product should not be discarded with household waste. Take to your local authority waste disposal center.

Note *If required the next page can be cut out and used as reference throughout the assembly. Keep this page with these instructions for future reference.*

COMPONENTS

Ensure the following components are in the box before proceeding with assembly:

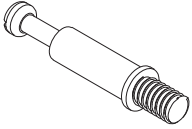
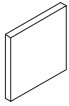

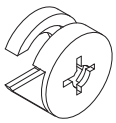
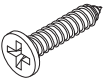
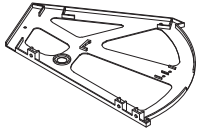
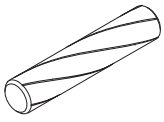

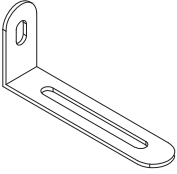
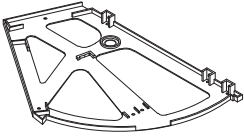

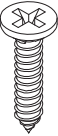



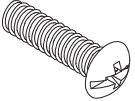

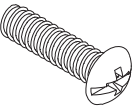


PANEL LIST

1	Top Panel	x1	10	Front Bottom Rail	x1
2	Left Side Panel	x1	11	Top Back Panel	x1
3	Left Back Leg	x1	12	Back Panel	x2
4	Left Front Leg	x1	13	Back Panel Strip	x1
5	Right Side Panel	x1	14	Door Front Panel	x3
6	Right Back Leg	x1	15	Door Back Panel	x3
7	Right Front Leg	x1	16	Door Internal Panel	x6
8	Back Middle Rail	x1			
9	Back Bottom Rail	x1			

COMPONENTS — FITTINGS

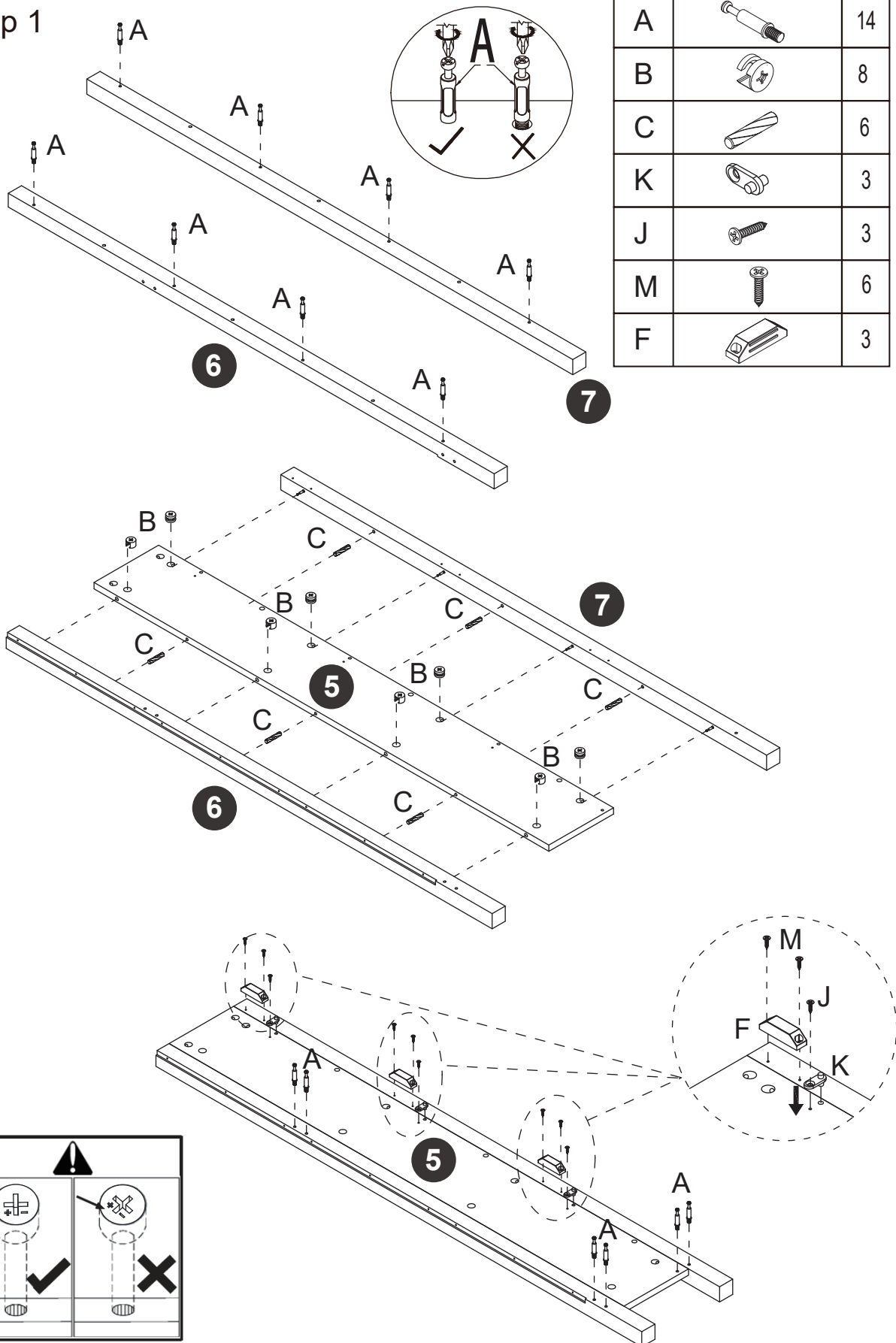
Please check you have all the fittings listed below:

A		I		Q	
	Peg M6*35mm x32		Anti-Slip Pads x4		Screw Holder x6
B		J		R	
	Lock M15*9.5mm x32		Screw M4*14mm x42		Right Bracket x3
C		K			
	Dowel M6*30mm x16		Positioning parts x6		
D		L			
	Wall Bracket x2		Left Bracket x3		
E		M			
	Screw M4*14mm x2		Screw M3*14mm x18		
F		N			
	Magnetic Catch x6		Handle x3		
G		O			
	Screw M3*14mm x34		Bolt M4*18mm x3		
H		P			
	Catch Plate x6		Bolt M6*12mm x6		



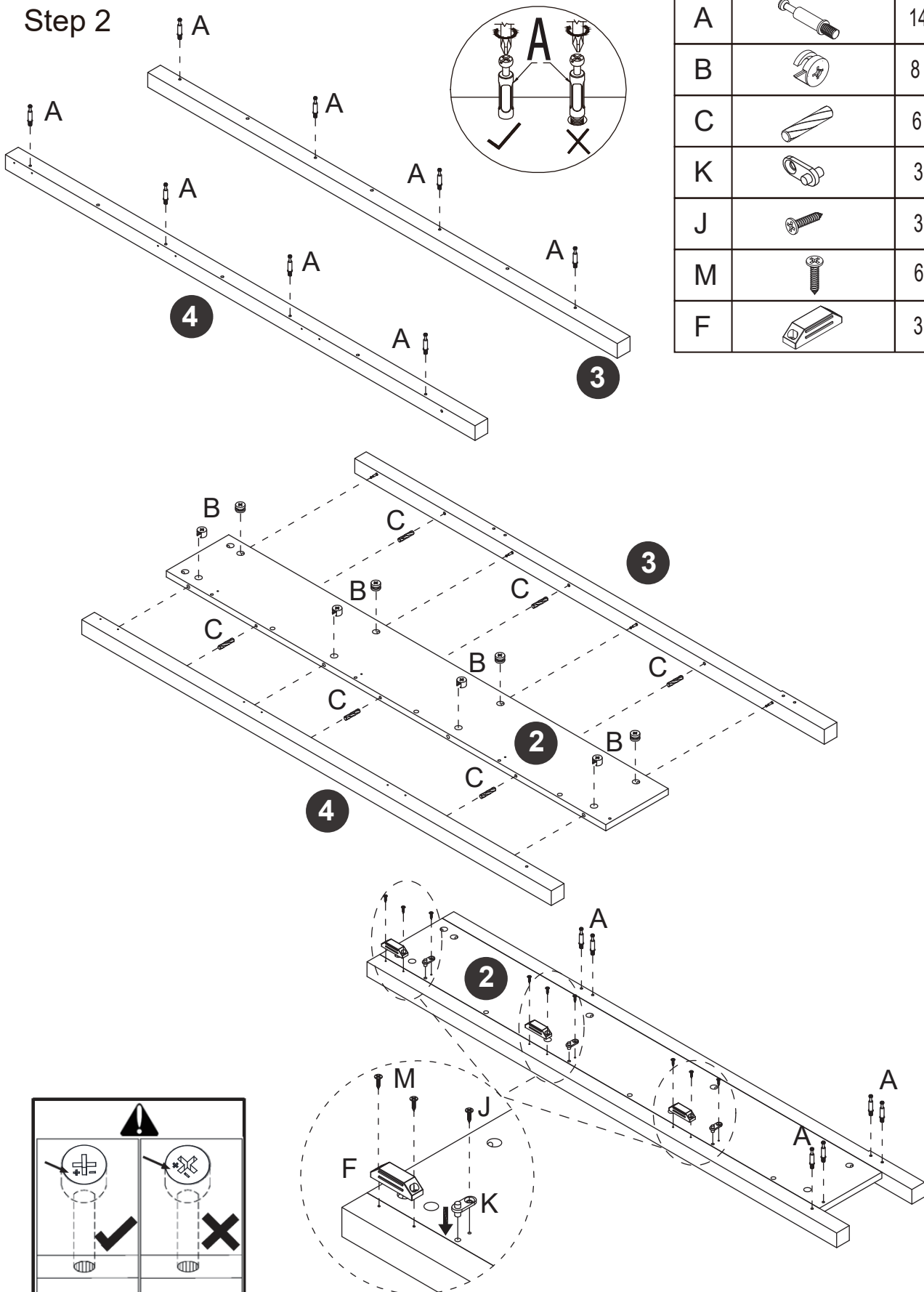
ASSEMBLY INSTRUCTIONS

Step 1





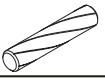
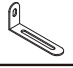

ASSEMBLY INSTRUCTIONS

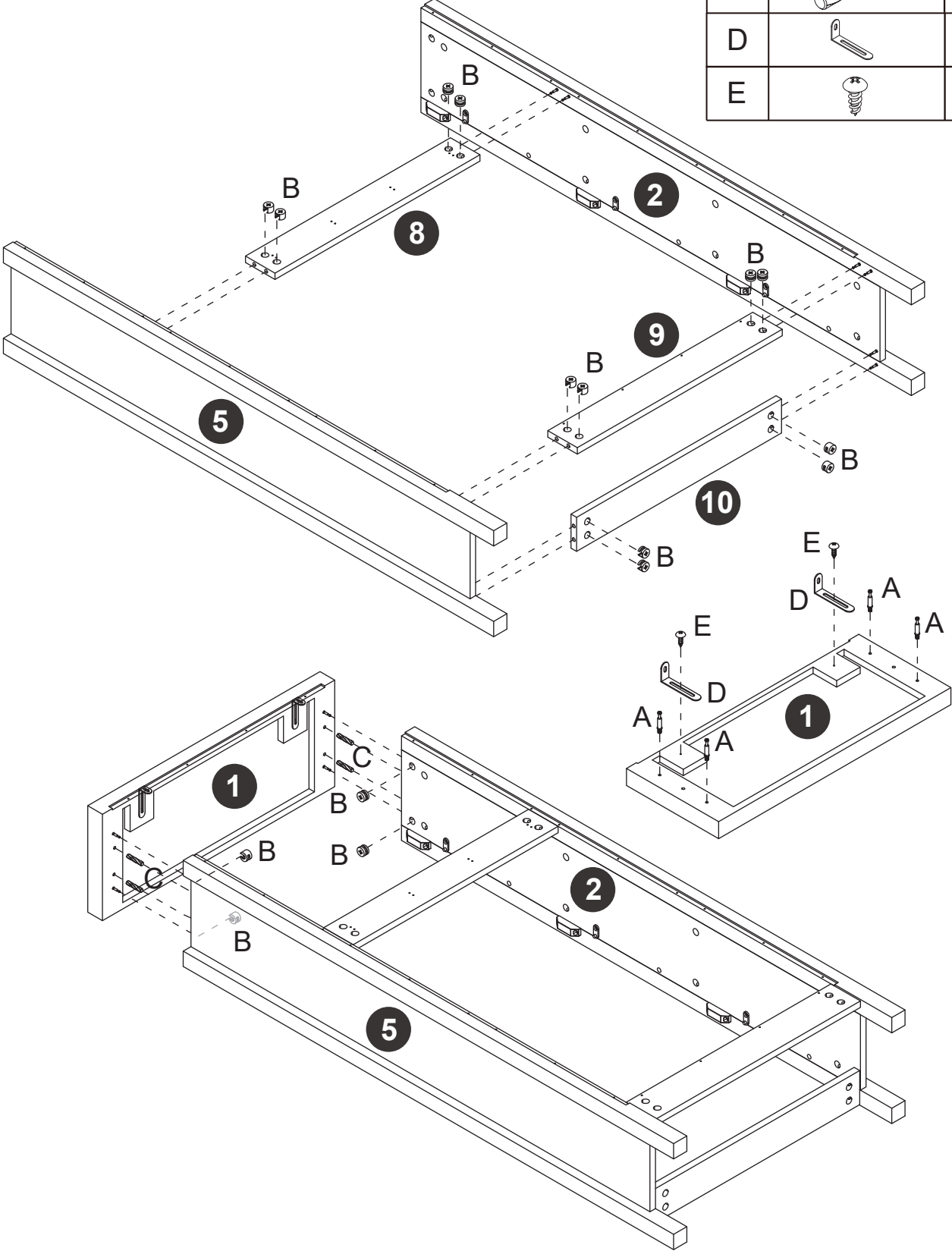
Step 2



ASSEMBLY INSTRUCTIONS



Step 3

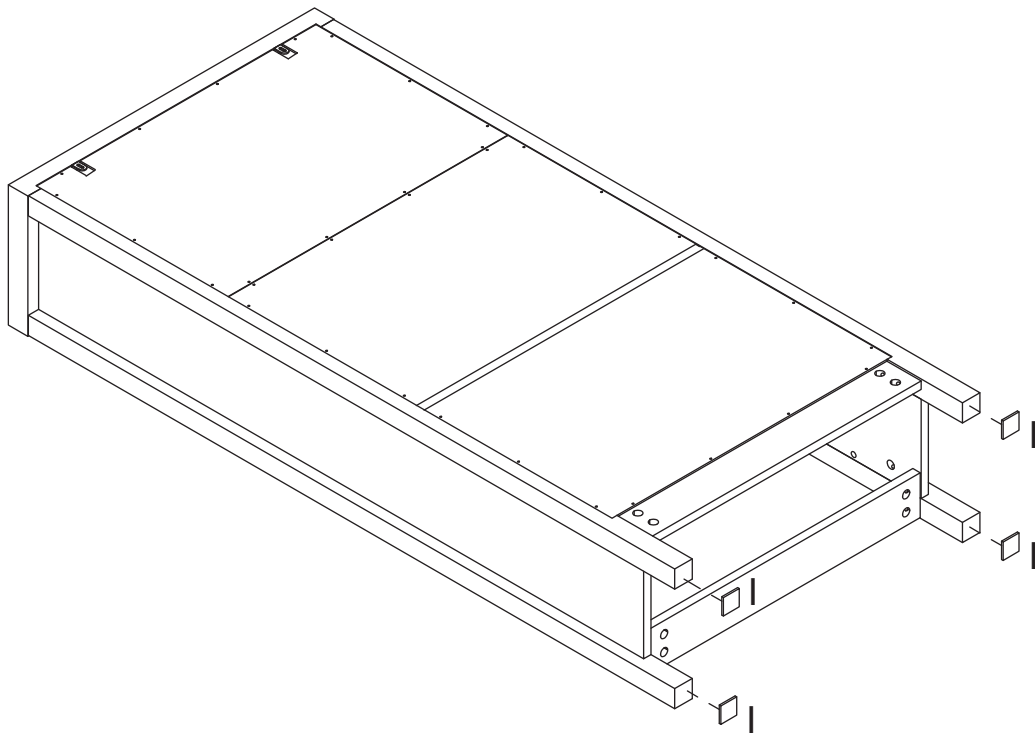
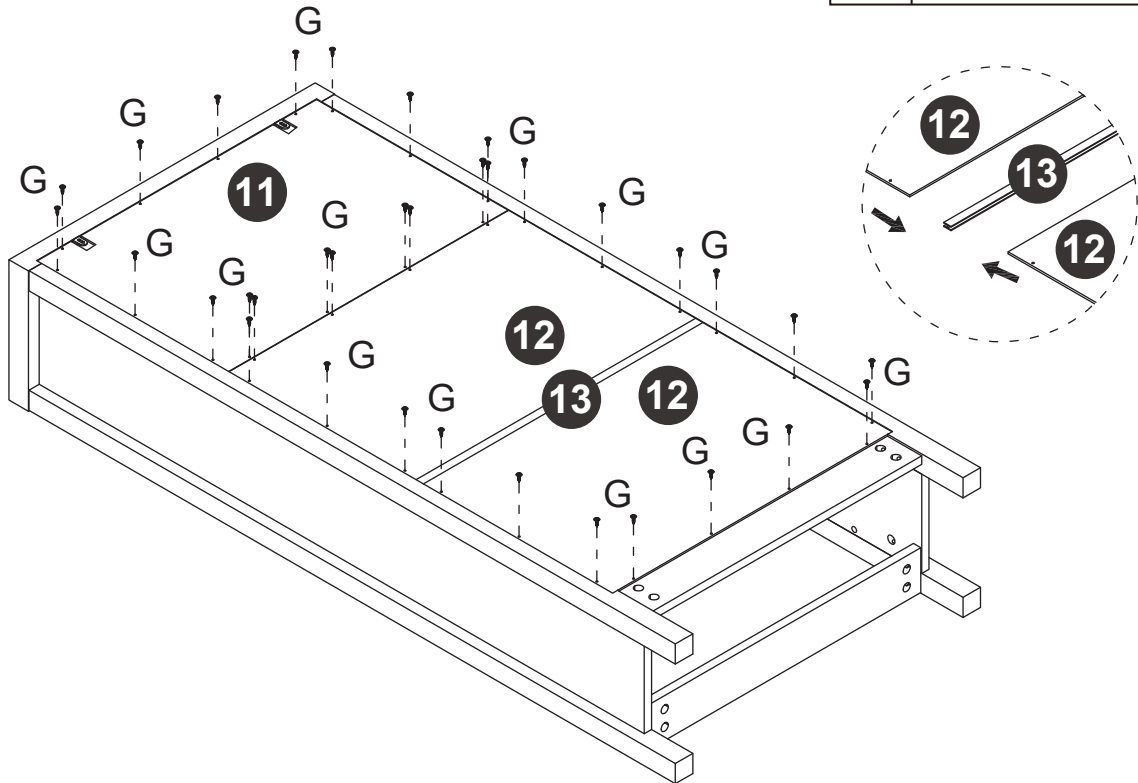
A		4	B		16
C		4	D		2
E		2			



ASSEMBLY INSTRUCTIONS

Step 4

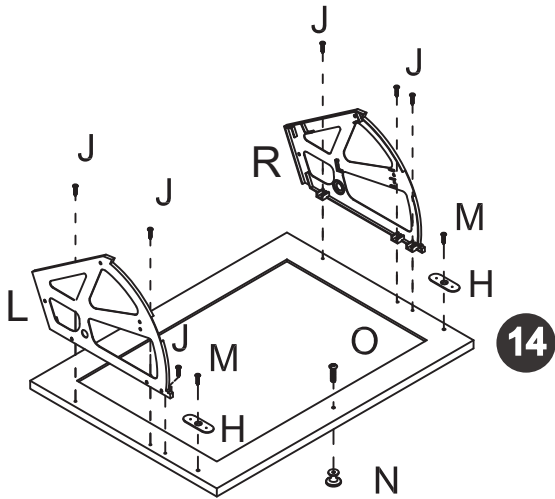
G		34
I		4



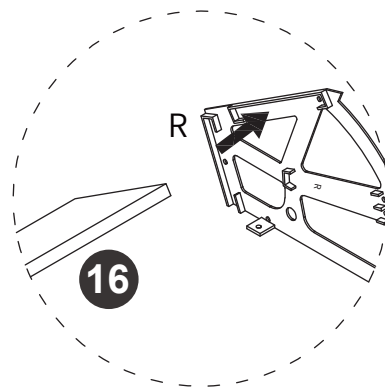
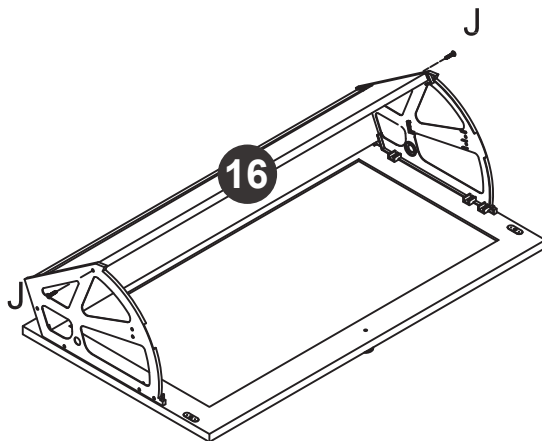
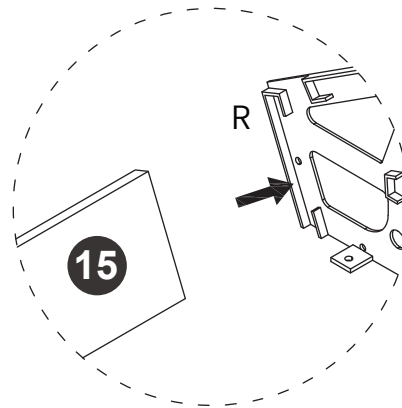
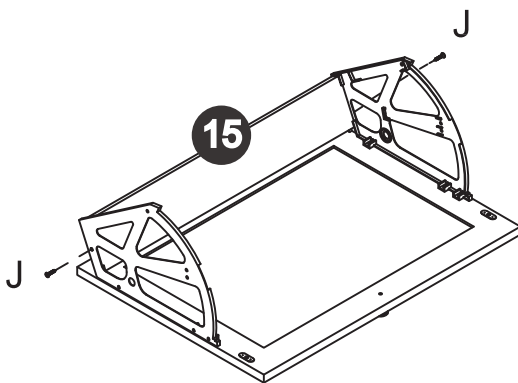
ASSEMBLY INSTRUCTIONS

Step 5

X3

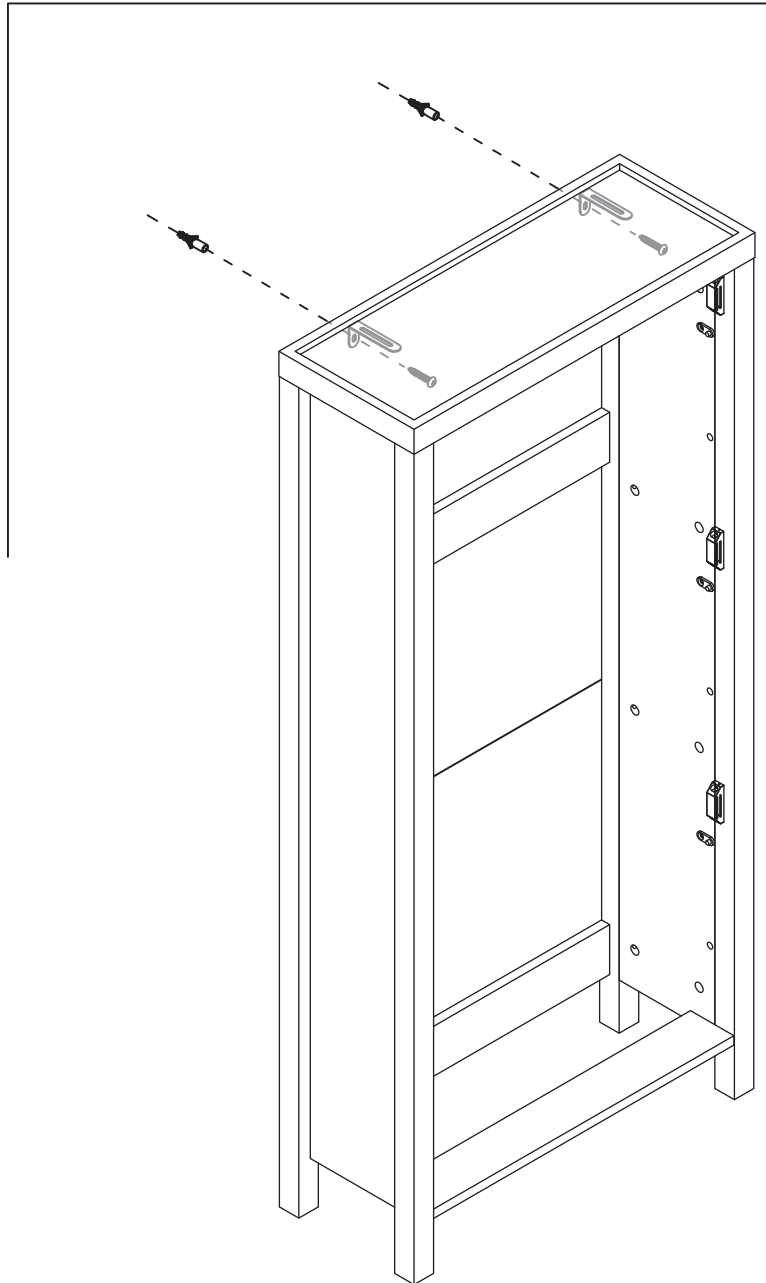


L		3
R		3
J		30
H		6
M		6
N		3
O		3



ASSEMBLY INSTRUCTIONS

Step 6





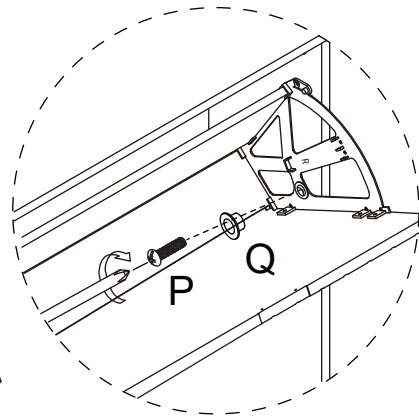
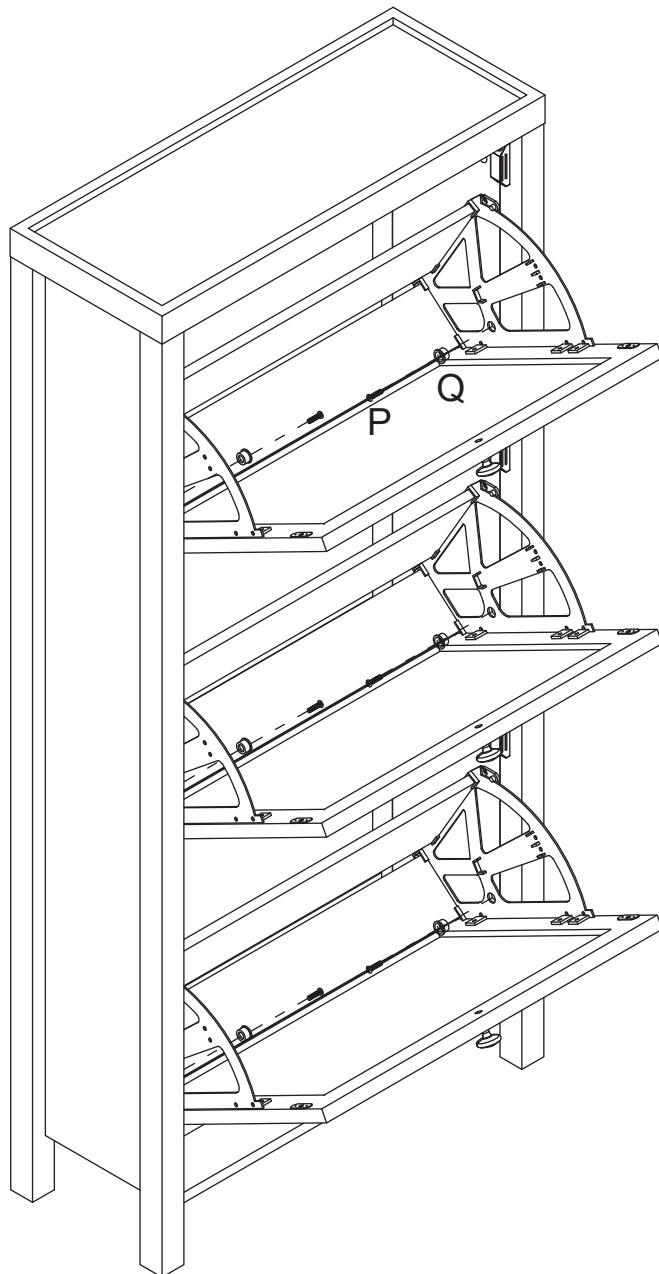
Warning !

Wall Plug and screws are not provided.
If you are in any doubt about the
correct fixings for your wall,
seek professional advice.

ASSEMBLY INSTRUCTIONS

Step 7

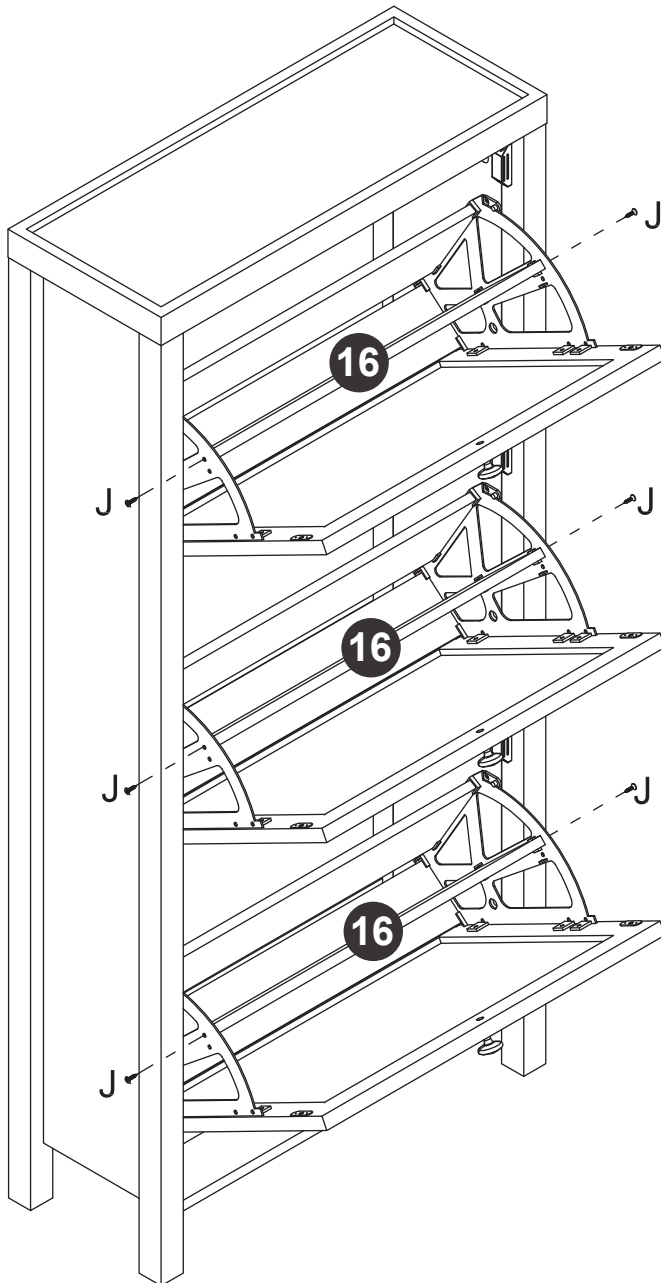
Q		6
P		6



ASSEMBLY INSTRUCTIONS

Step 8

J		6
---	---	---



A Guide to - Wall Mounting & Fixings

Important note:

If plastic wall plugs are supplied with your product:



- these are only suitable for use in masonry walls.

If you are in any doubt about the correct wall plugs for your wall, seek professional advice.

Failure of the product due to using incorrect fixings is the responsibility of the installer.



Important: When drilling into walls always check that there are no hidden wires or pipes etc.

Make sure that the screws and wall plugs being used are suitable for supporting your unit. Consult a qualified person if you are unsure.

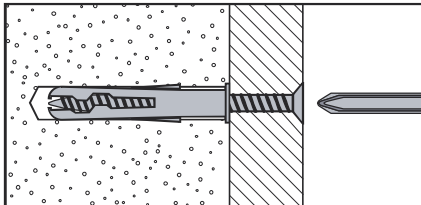
Hints:

- 1: General rule:** ⚠ Always use a larger screw and wall plug if you are not sure.
- 2:** Ensure you use the recommended drill bit to match the wall plug and hole size.
- 3:** Ensure you drill the hole horizontally, do not force the drill or enlarge the hole.
- 4:** Take extra care when drilling high walls, ceilings and ceramic tiles. Ensure wall plugs are inserted beyond the thickness of the ceramic tiles to avoid the tiles splitting or cracking.
- 5:** Ensure wall plugs are well fitted and are a tight fit in the drilled hole.

Types of walls

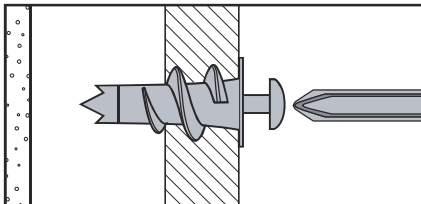
You can use one of the following types of wall plug if your walls are made of brick, breeze block, concrete, stone or wood.

No.1 "General Purpose" wall plug



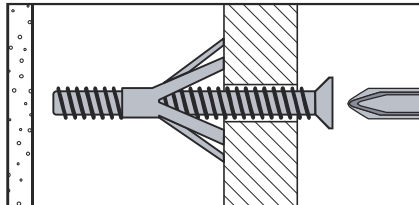
Generally aerated blocks should not be used to support heavy loads, use a specialist fitting in this case. For light loads, general purpose wall plugs can be used.

No.2 "Plasterboard" wall plug



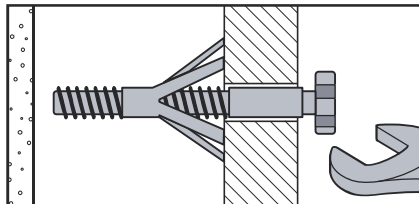
For use when attaching light loads on to plasterboard partitions.

No.3 "Cavity Fixing" wall plug



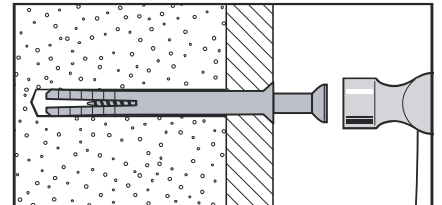
For use with plasterboard partitions or hollow wooden doors.

No.4 "Cavity Fixing-Heavy Duty" wall plug



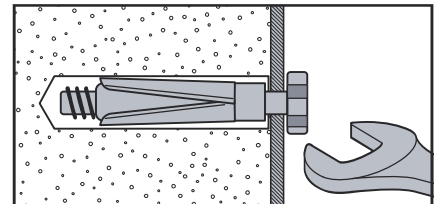
For use when fitting or supporting heavy loads such as shelving, wall cabinets and coat racks.

No.5 "Hammer Fixing" wall plug



For use with walls stuck with plasterboard. The hammer fixing allows it to be fixed to the wall rather than the plasterboard. Always check the fixing is secure to the retaining wall.

No.6 "Shield Anchor" wall plug Heavy loads



For use with heavier loads such as TV & HiFi speakers and satellite dishes etc.



Care & Maintenance

Safety: Always check the fitting and location to ensure your safety in and around the home.

Fitting: From time to time check the fitting to ensure the wall plugs or screws do not become loose.

IF YOU FIND A DEFECTIVE PART

We fully stock all parts and components. Any defective part can be quickly replaced. Take note of the defective part number in manual and we will arrange a replacement.

You can email our team

COPYRIGHT

All material in this instruction manual is copyrighted .

Any unauthorised use may violate worldwide copyright, trademark and other laws.