

# ASSEMBLY INSTRUCTION

MODEL NUMBER:

## NOTES:

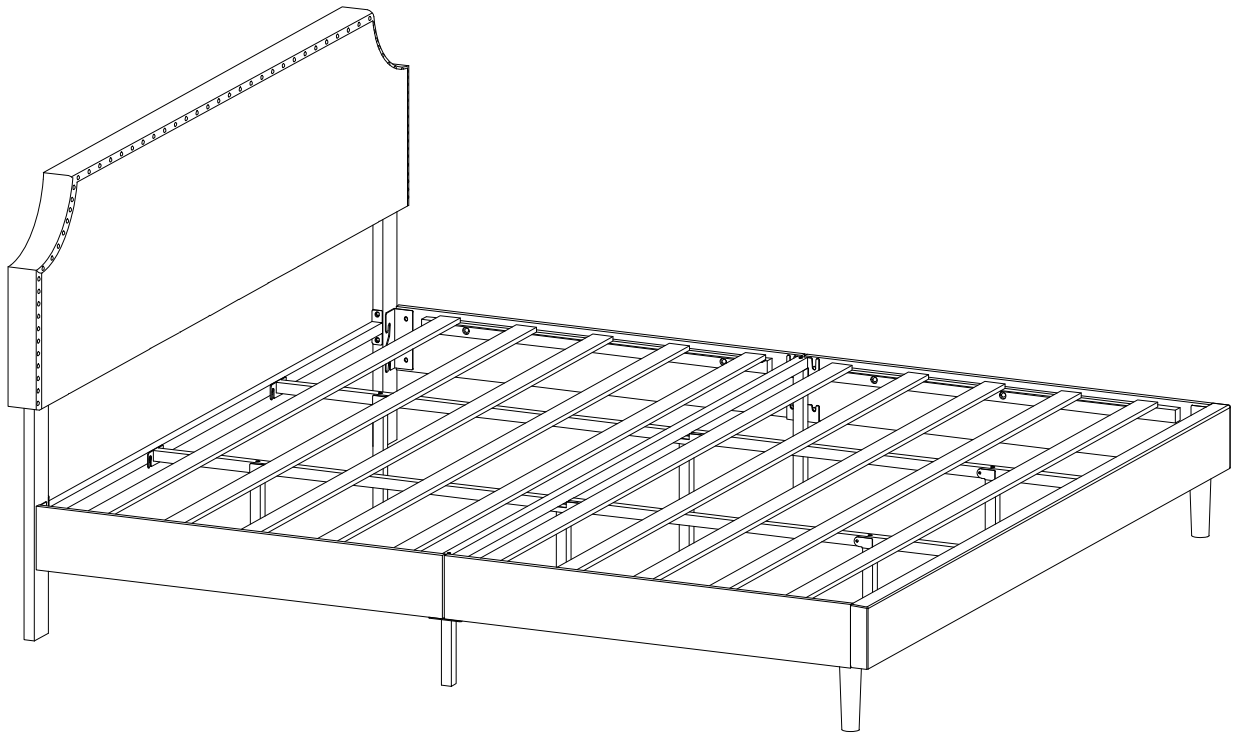
- Do not skip any step.
- Do not fully tight screws until all the bed parts are assembled.

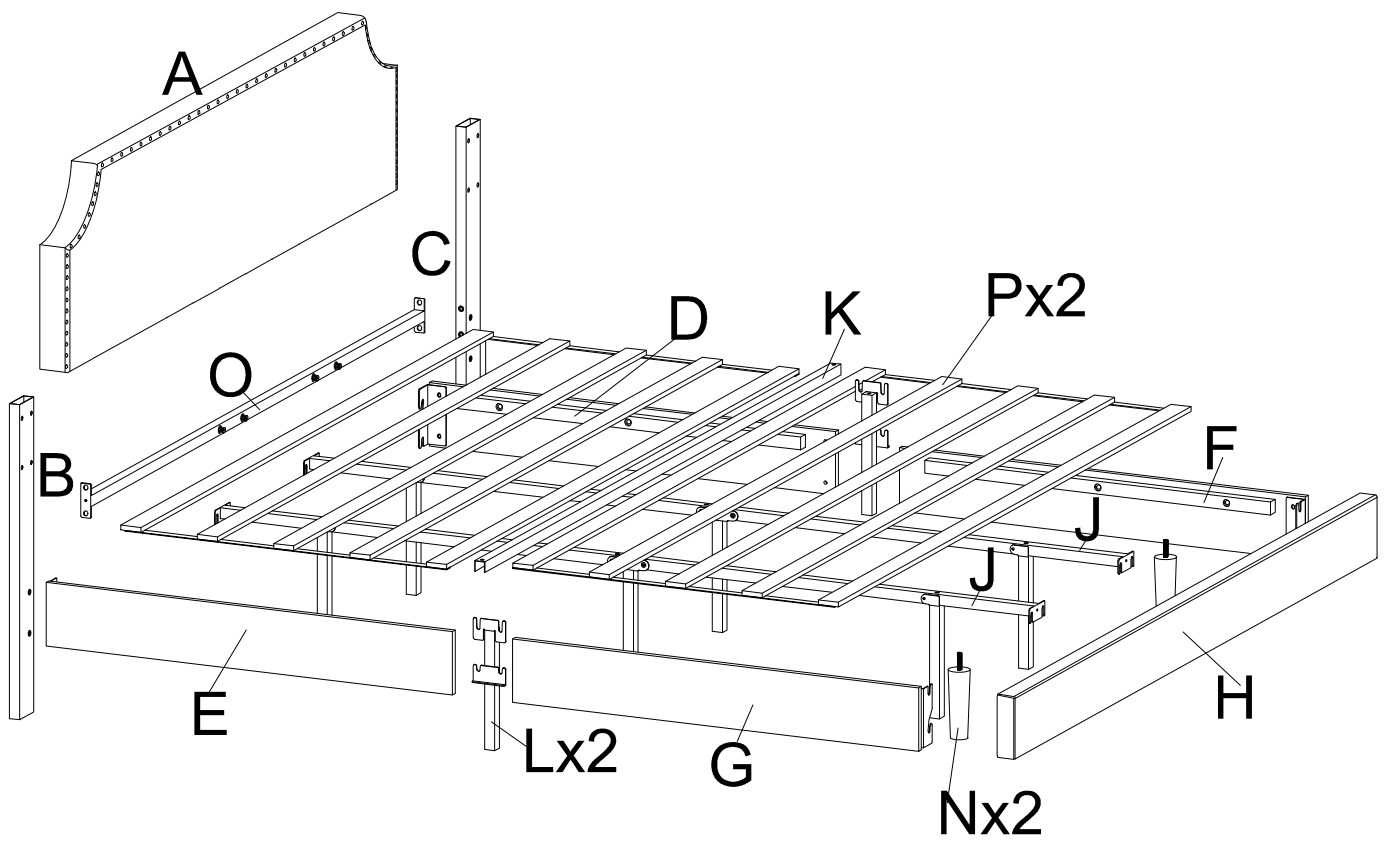
## WARNING:

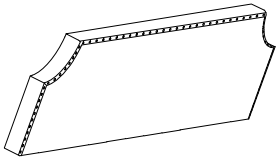

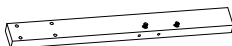
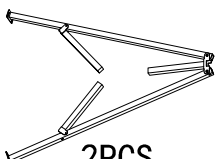

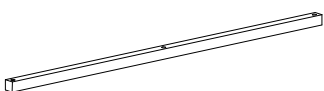




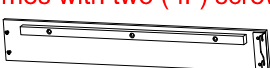

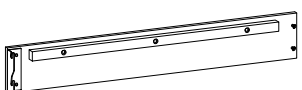
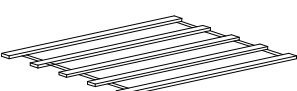
- WARNIND FOR YOUNG CHILDREN-This product contains small components,please ensure that they are kept away from small children while assembling.


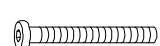



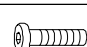
## Warranty Information:

- We warranty this product to be free from defects in materials.This warranty covers one year from the date of original purchase.If u have any query about bed,pls contact our after -sale support email:

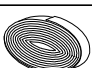







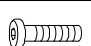
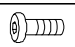
<b>A</b>	<b>H</b>
 1PC	<p style="color: red;">Comes with four (gg) screws</p>  1PC
<b>B</b>	<b>J</b>
<p style="color: red;">Comes with two ( ff ) screws</p>  1PC	 2PCS
<b>C</b>	<b>K</b>
<p style="color: red;">Comes with two ( ff ) screws</p>  1PC	 1PC
<b>D</b>	<b>L</b>
<p style="color: red;">Comes with two ( ff ) screws</p>  1PC	 2PCS
<b>E</b>	<b>N</b>
<p style="color: red;">Comes with two ( ff ) screws</p>  1PC	 2PCS
<b>F</b>	<b>O</b>
<p style="color: red;">Comes with two ( ff ) screws</p>  1PC	<p style="color: red;">Comes with two (hh) screws</p>  1PC
<b>G</b>	<b>P</b>
<p style="color: red;">Comes with two ( ff ) screws</p>  1PC	 2PCS

aa		M8x50	2
bb		M8x40	10
dd		M6x35	4
ee		5mm	1
ff		M8x15	4
gg		M8x25	4

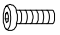

--	--	--	--

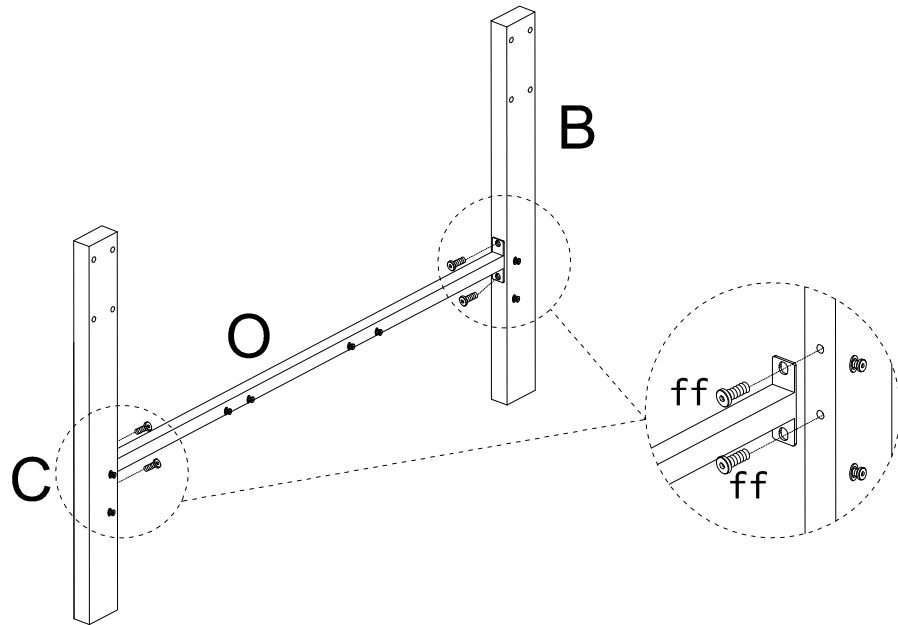
ii			2
----	---	--	---

--	--	--	--

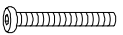

<b>SPARE</b>	aa		1
	bb		1
	dd		1
	gg	 M8x25 Screws on the board	2
	ff	 M8x15 Screws on the board	3

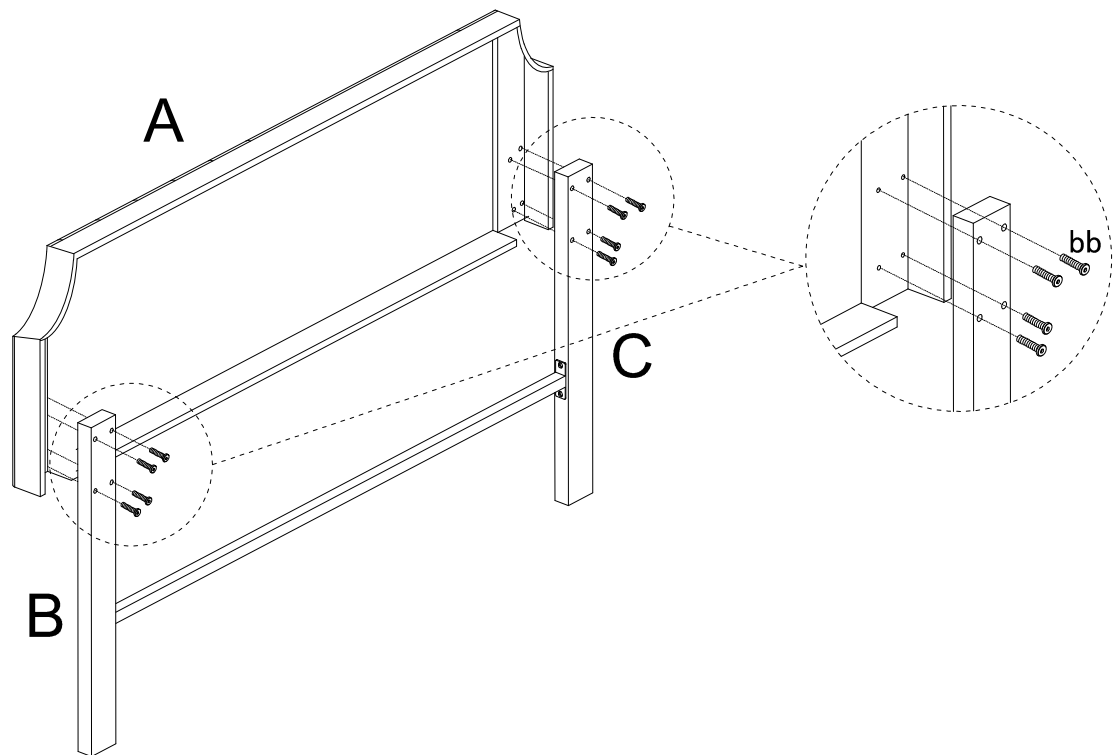
Step 1

ff		M8x15	4
ee		5mm	1

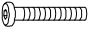



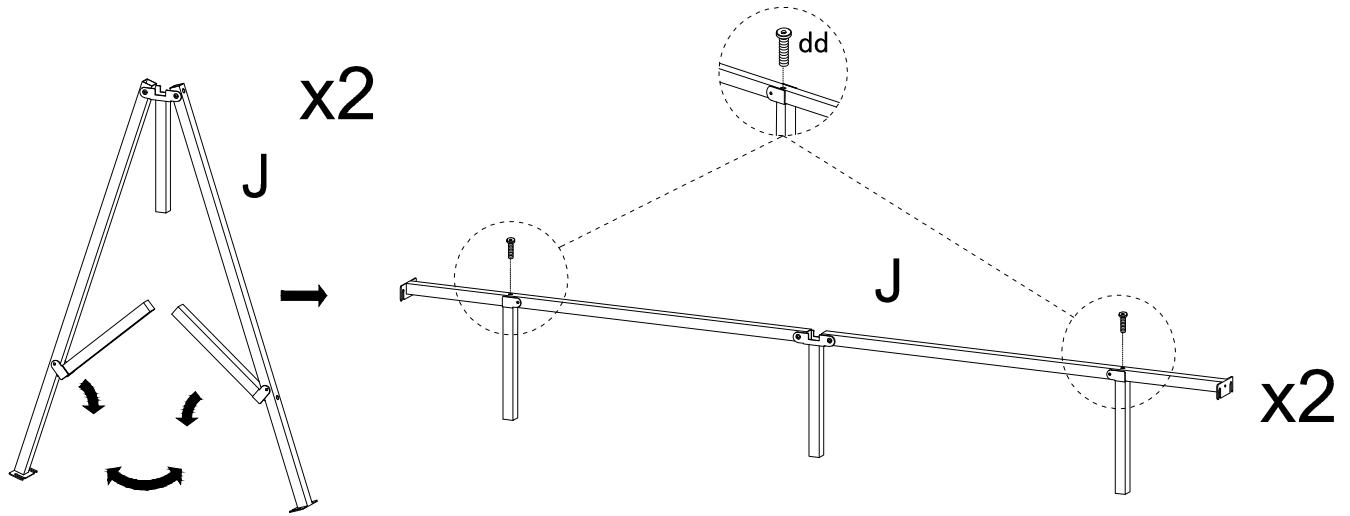
Step 2

bb		M8x40	8
ee		5mm	1

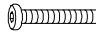



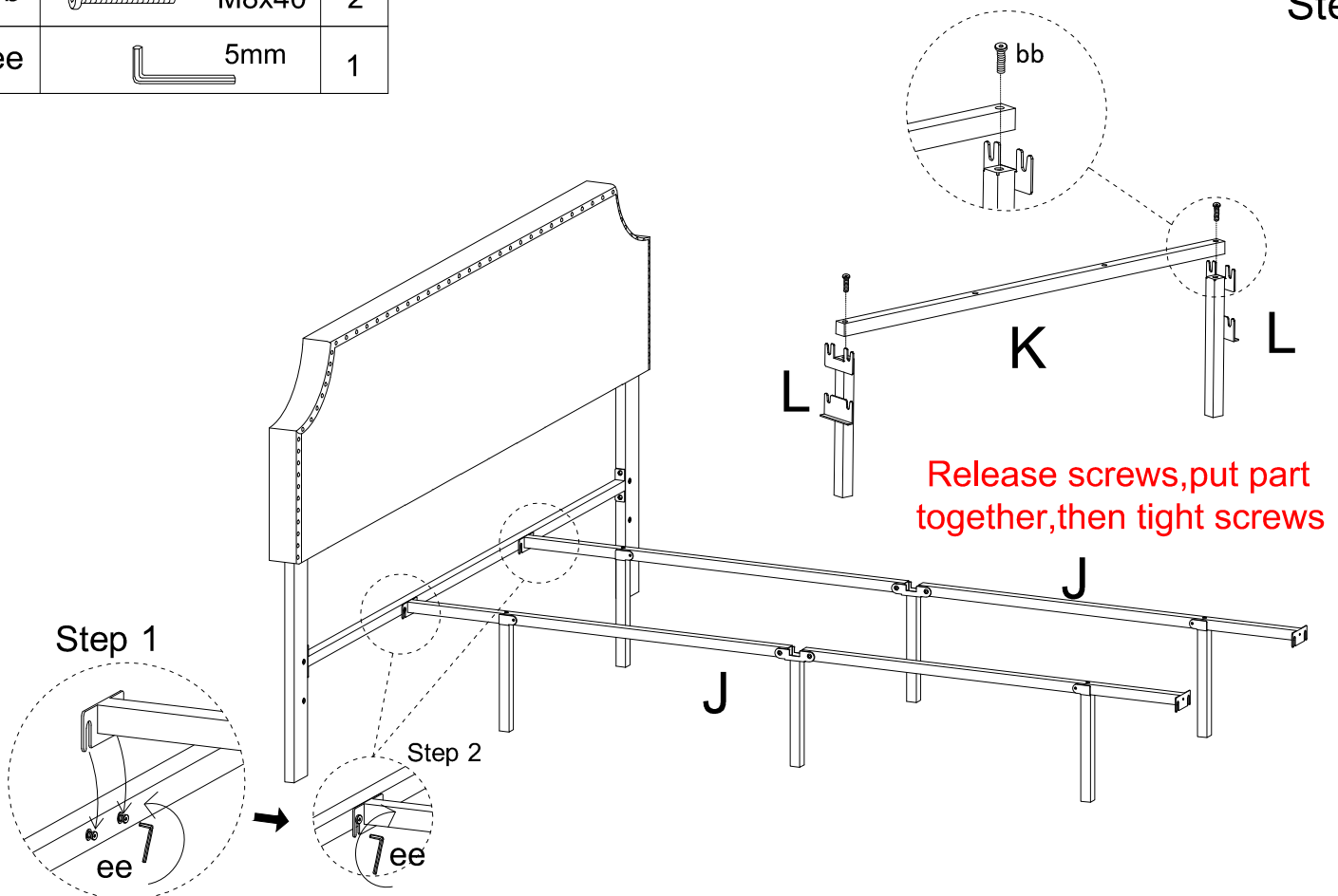
# Step 3

dd		M6x35	4
ee		5mm	1

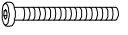



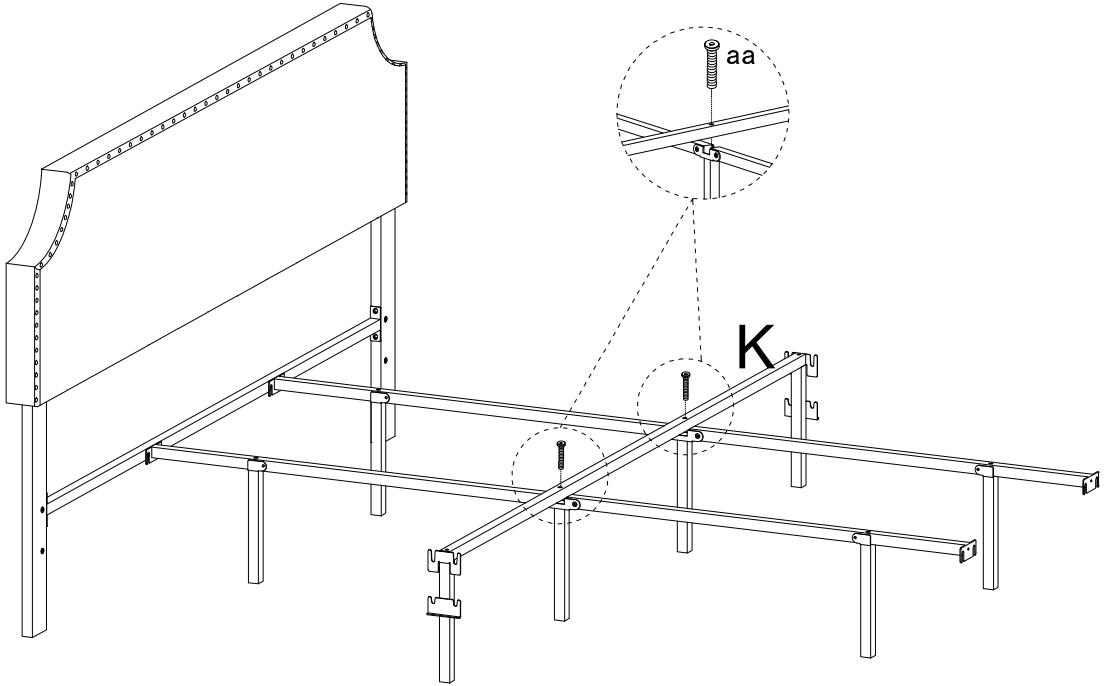
# Step 4

bb		M8x40	2
ee		5mm	1




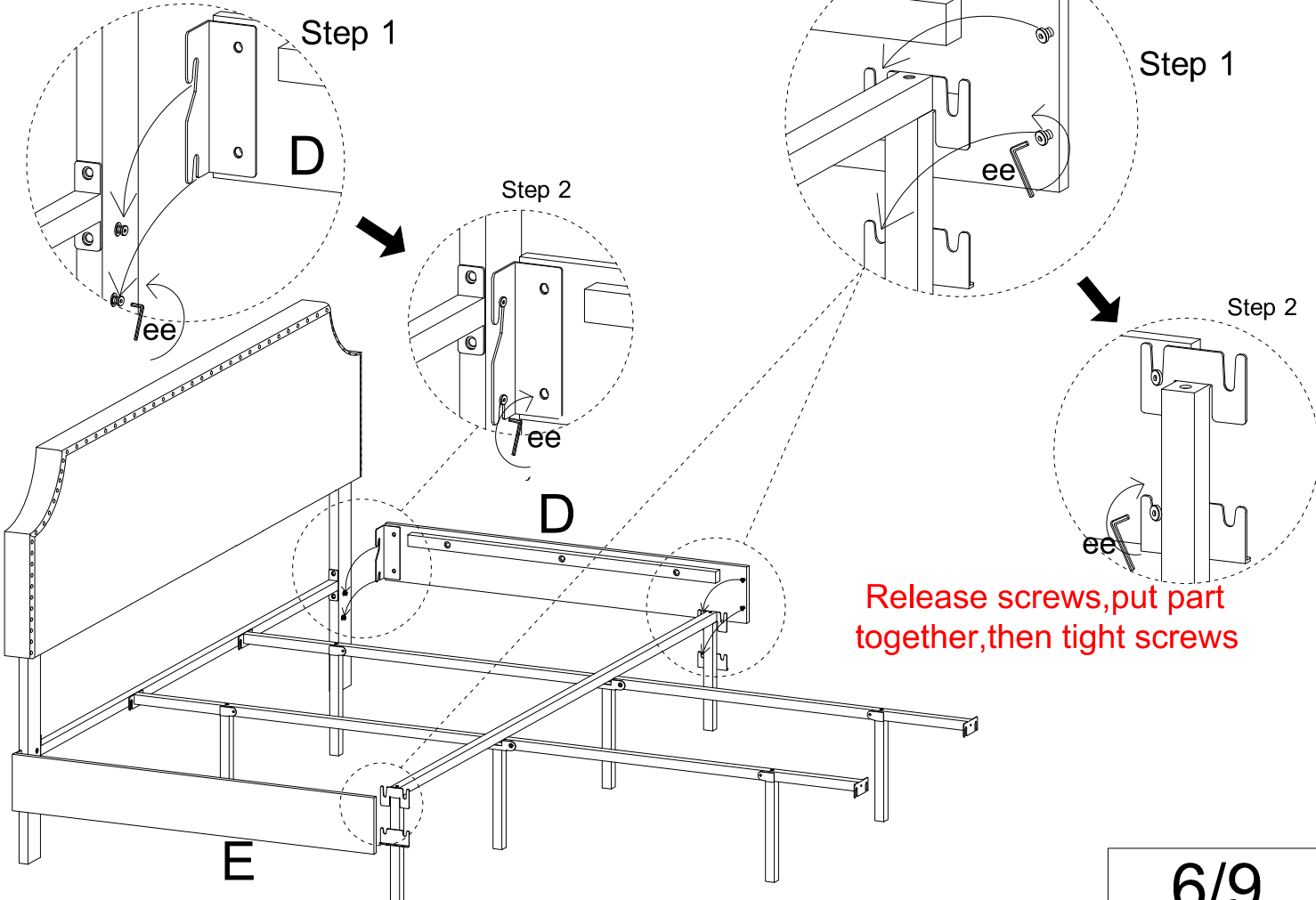
Step 5

aa		M8x50	2
ee		5mm	1



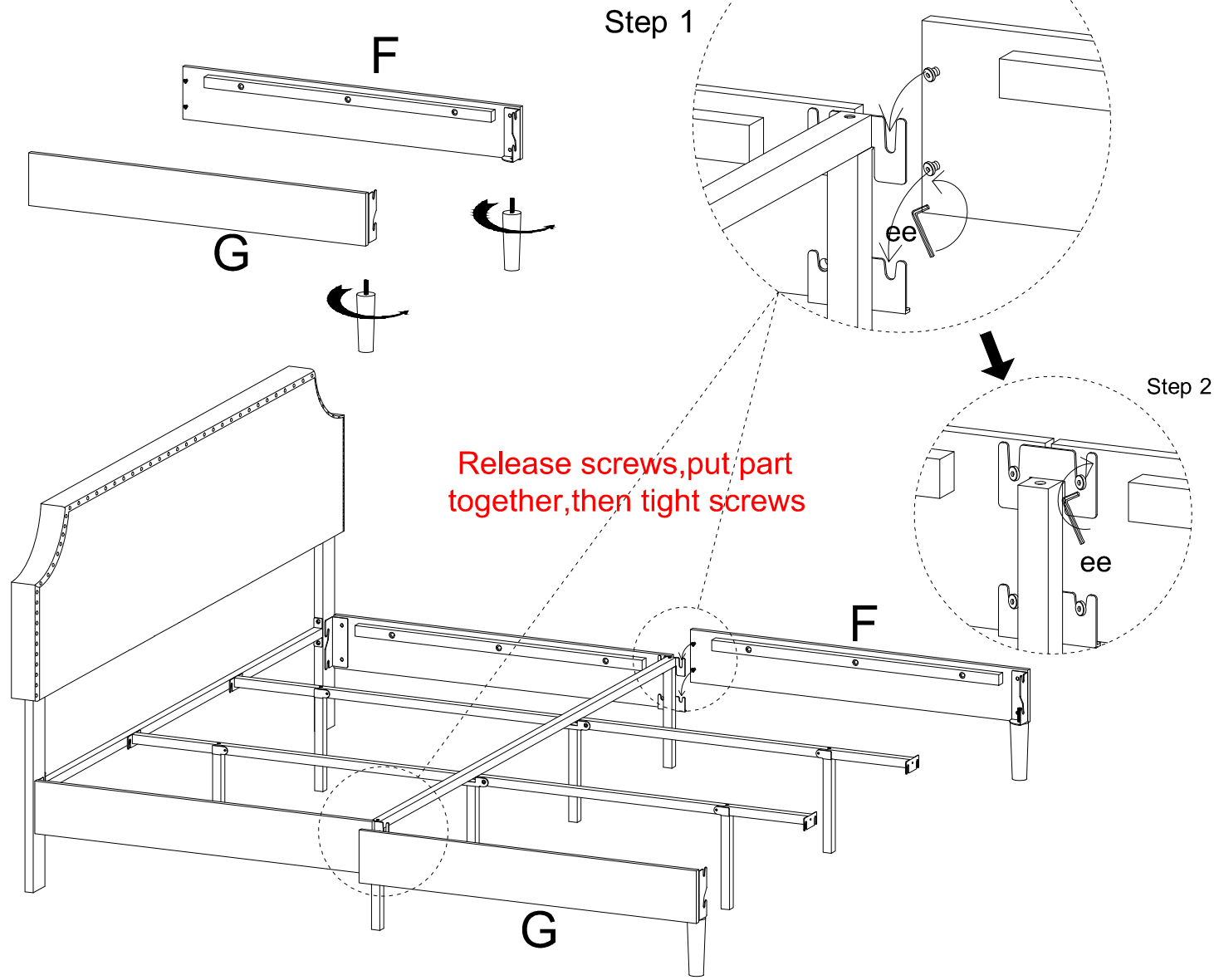
Step 6

ee		5mm	1
----	---	-----	---



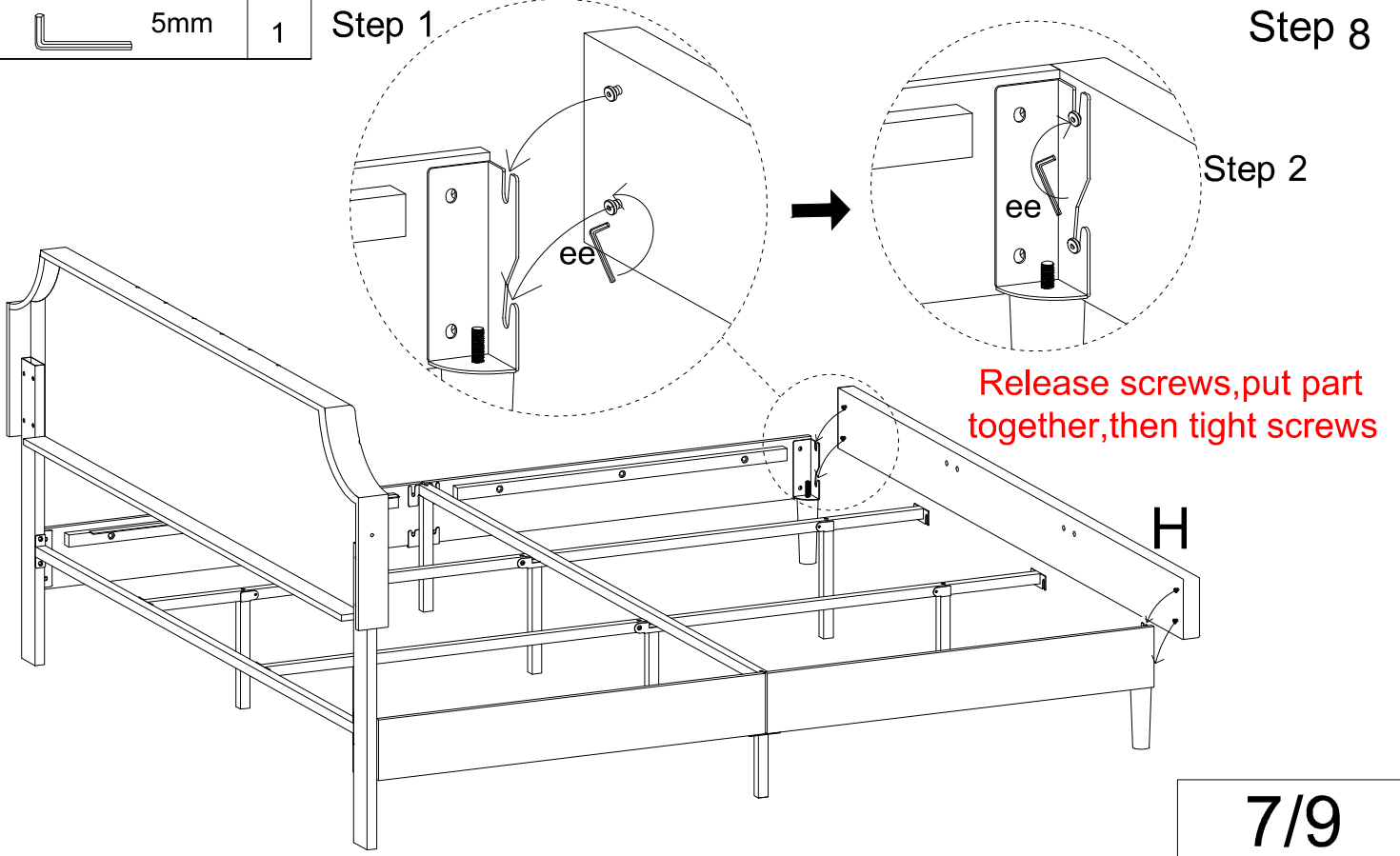
ee 5mm 1

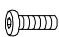


### Step 7



ee 5mm 1

### Step 8

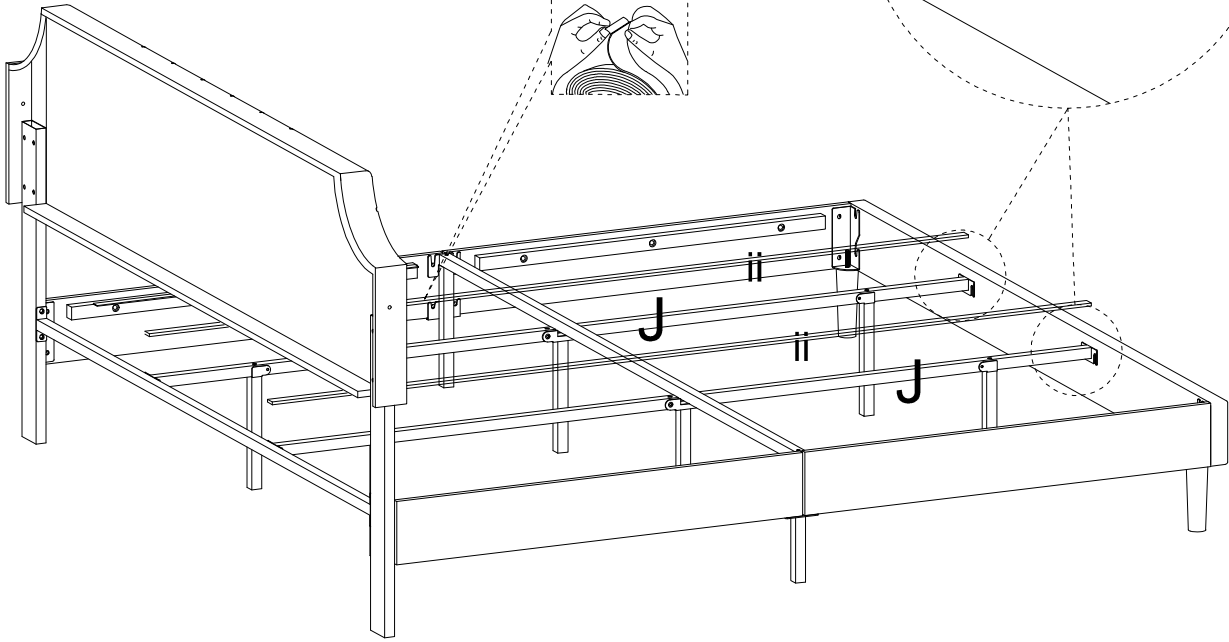
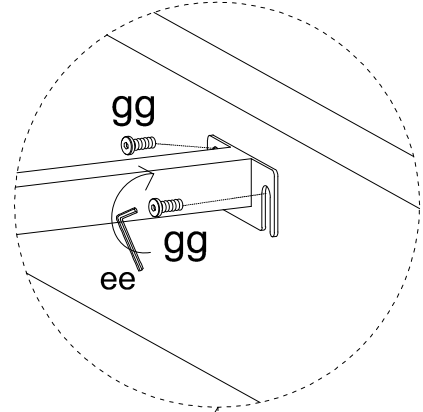


gg		M8x25	4	ee		5mm	1
ii			2				

# Step 9

1. Tighten screw gg

2. To prevent friction noise, unroll part ii and fit it on part J. the length of part ii can cut as you will.



# Step 10

