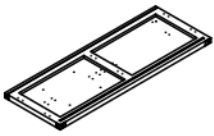
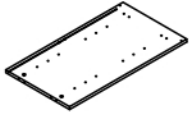
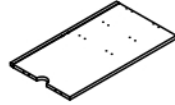
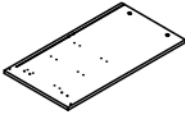



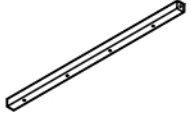
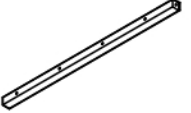
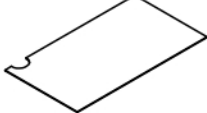
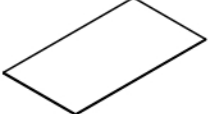








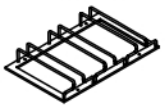











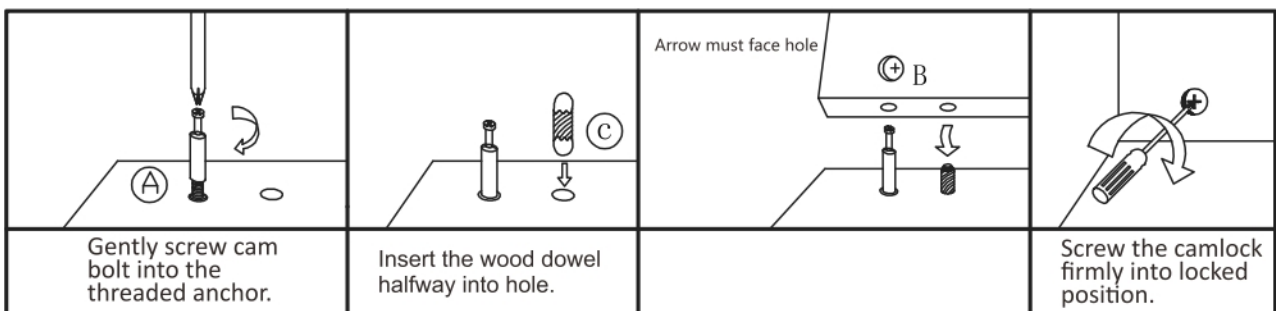


# Parts and Operation Elements

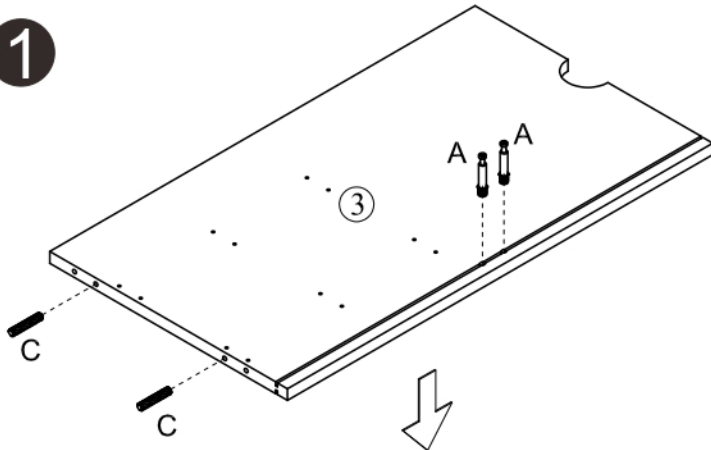
				
① 1pc	② 1pc	③ 1pc	④ 1pc	⑤ 2pcs
				
⑥ 1pc	⑦ 2pcs	⑧ 2pcs	⑩ 2pcs	⑪ 1pc
				
⑫ 3pcs	⑬ 2pcs	⑭ 1pc		

## Hardware

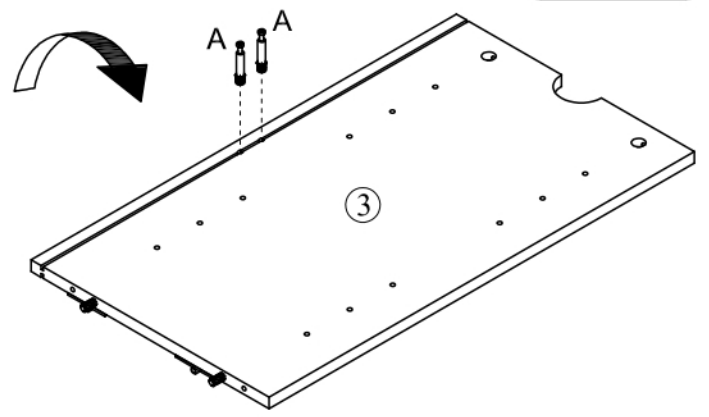
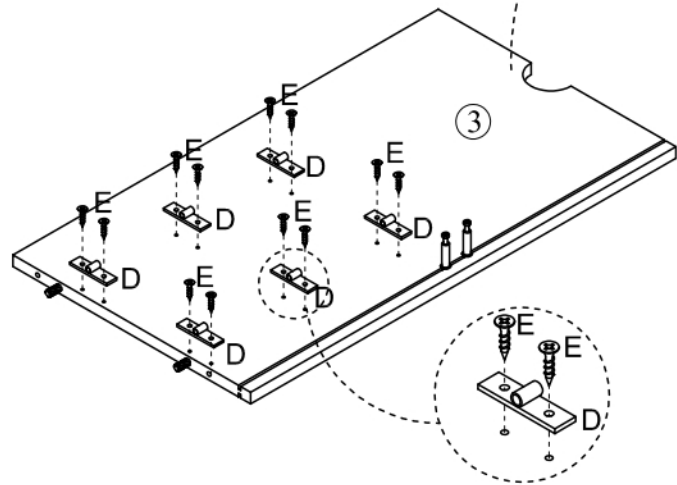
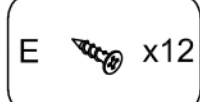
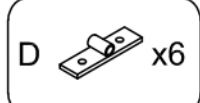
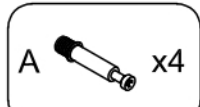
					
Ⓐ 28pcs	Ⓑ 28pcs	Ⓒ 16pcs	Ⓓ 12pcs	Ⓔ 24pcs	Ⓕ 2pcs
					
Ⓖ 1pc	Ⓗ 4pcs	Ⓘ 8pcs	Ⓙ 16pcs	Ⓚ 16pcs	Ⓛ 8pcs
					
Ⓜ 2pcs	Ⓝ 2pcs	Ⓞ 6pcs	Ⓟ 4pcs	Ⓠ 1pc	
					
Ⓡ 1pc					



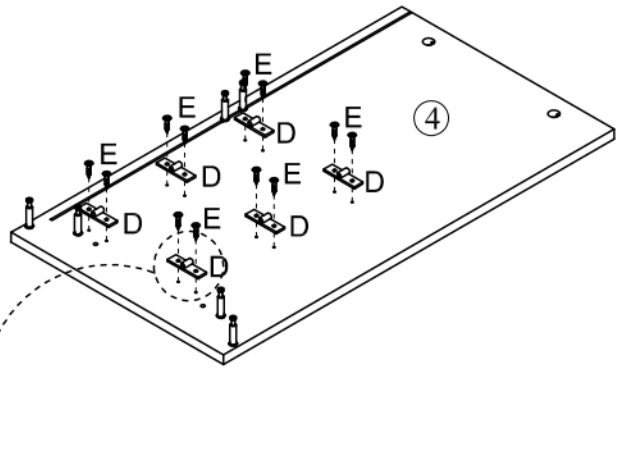
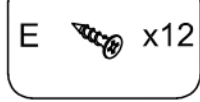
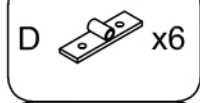
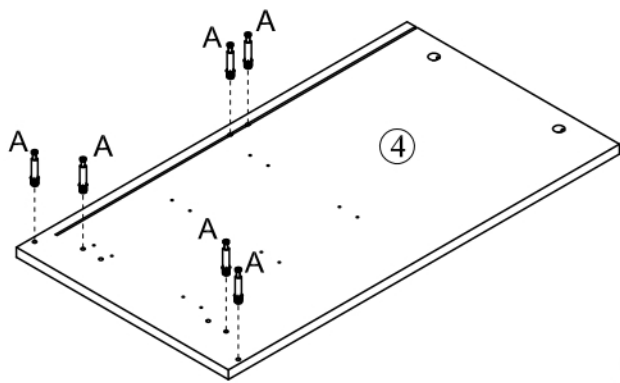
1



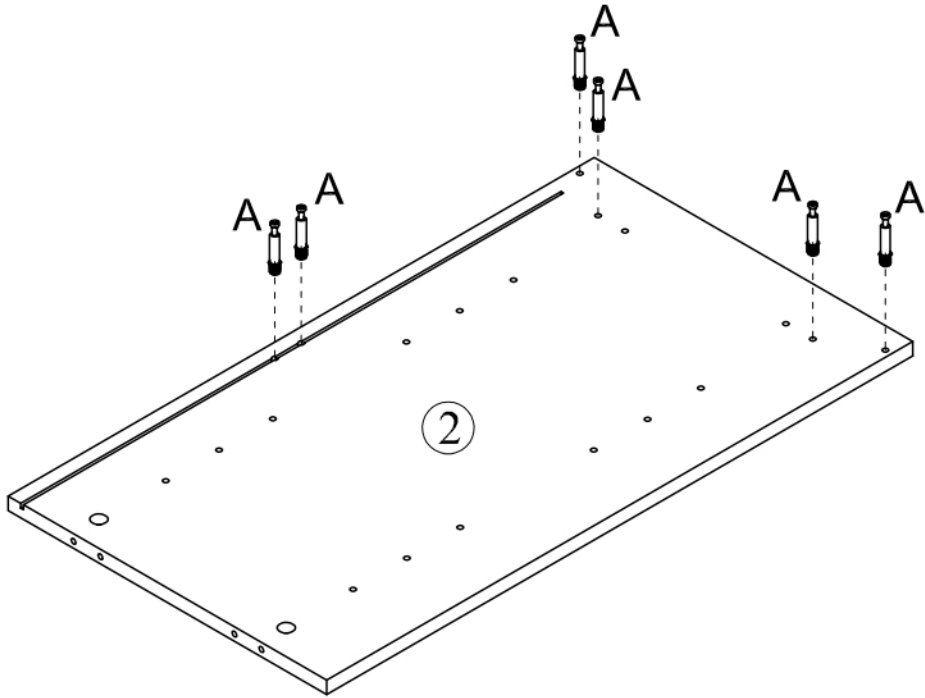
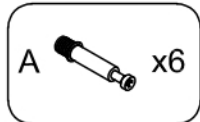
Note that the dowel C is installed first as shown



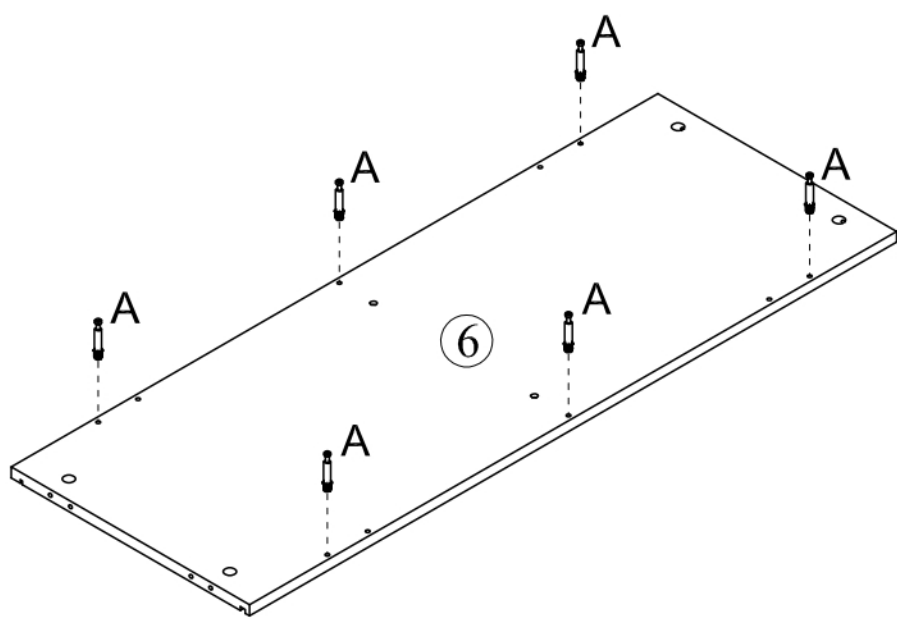
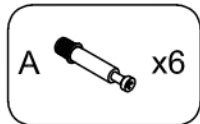
2



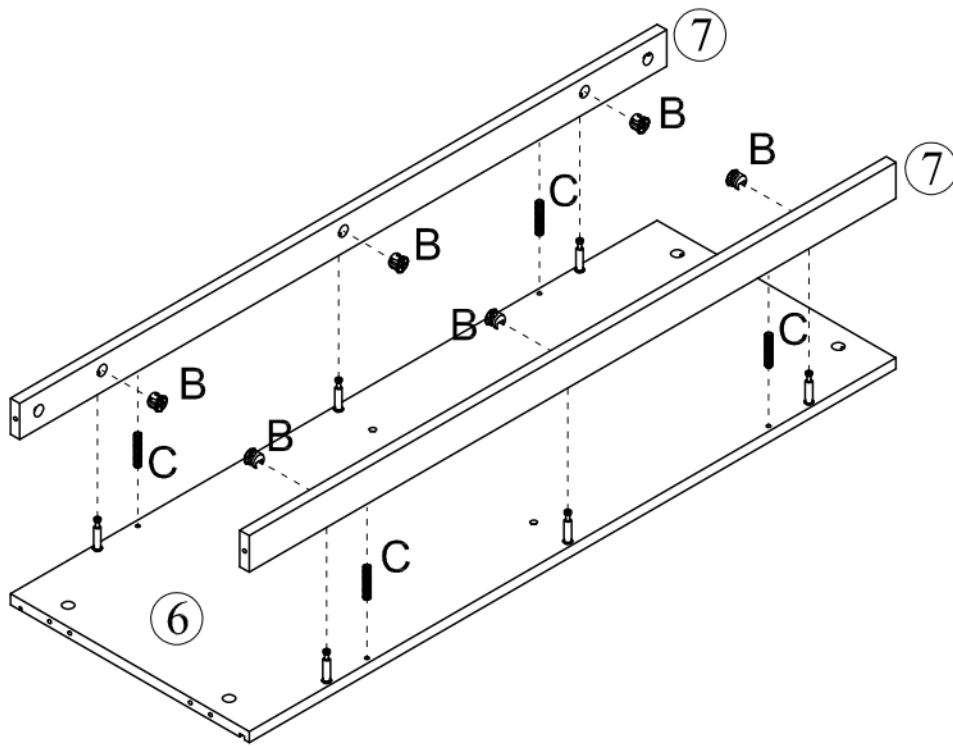
3




4



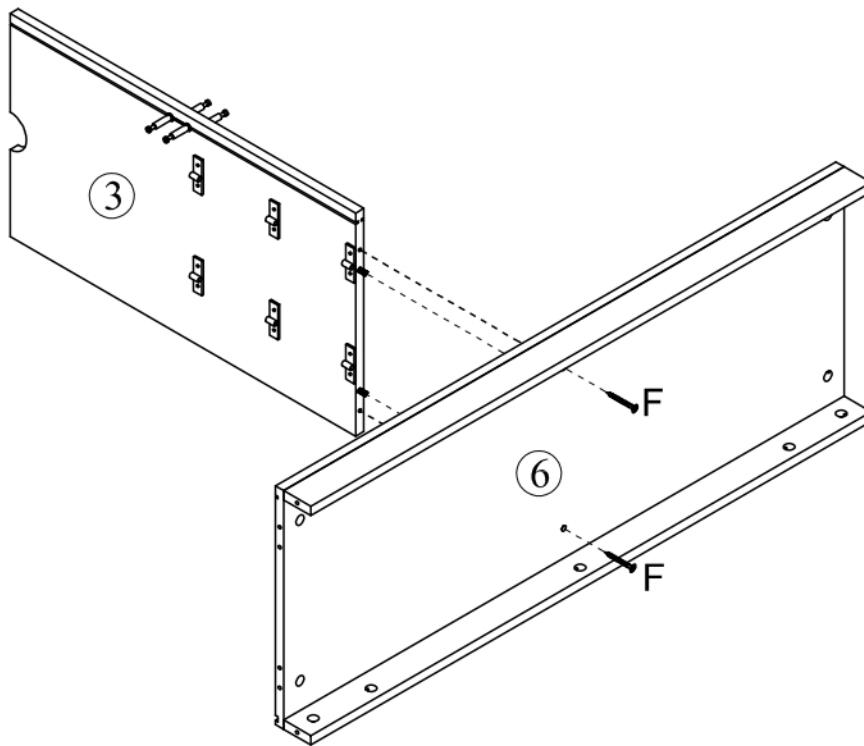
5




B  x6


C  x4

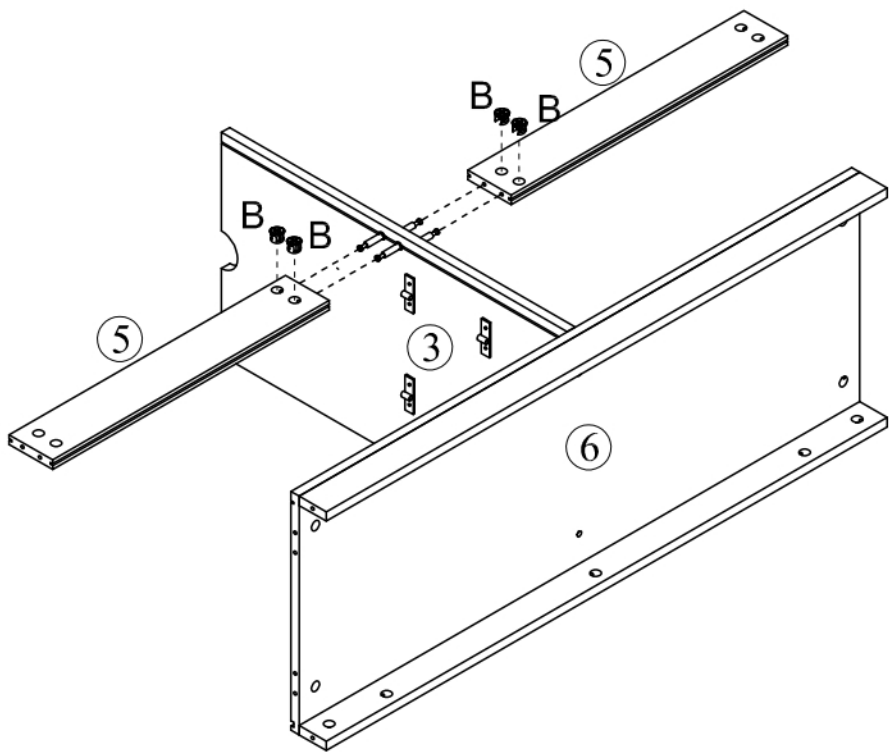
6



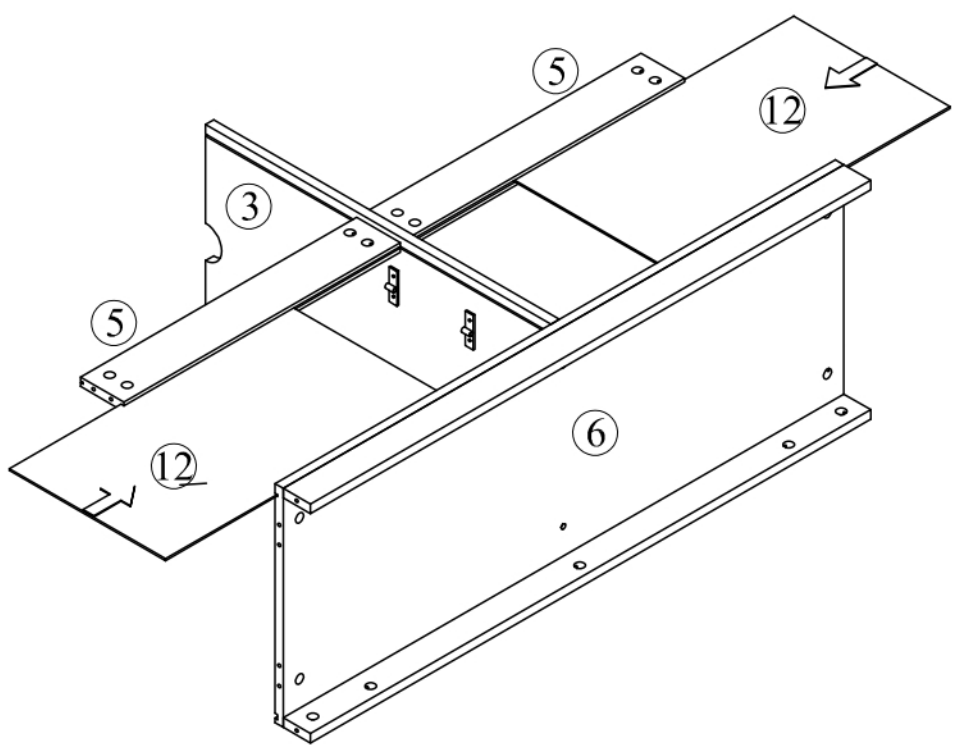
F  x2

7


B  x4




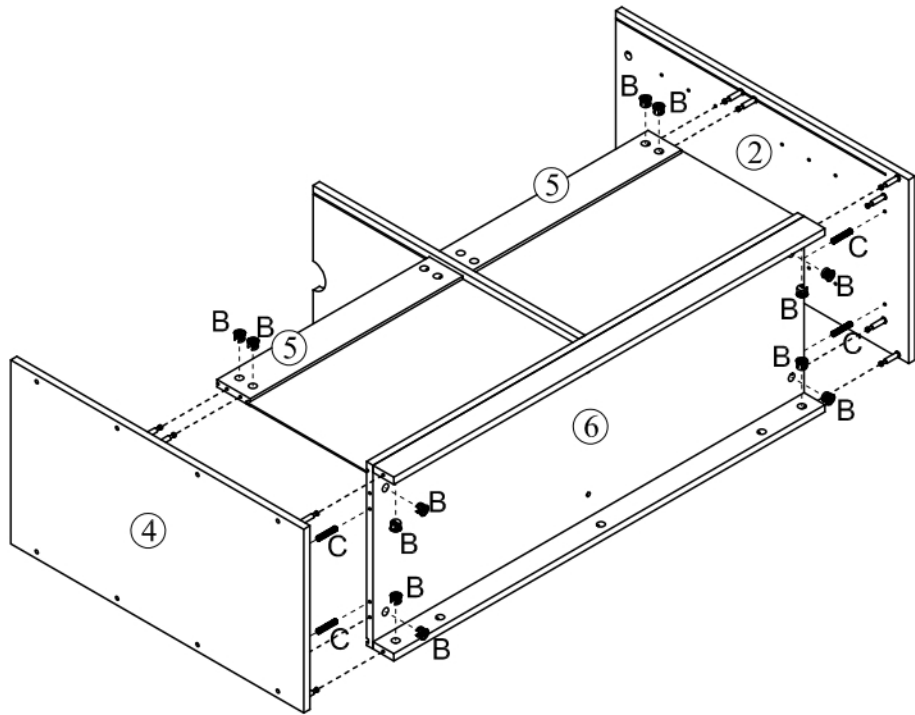
8



9

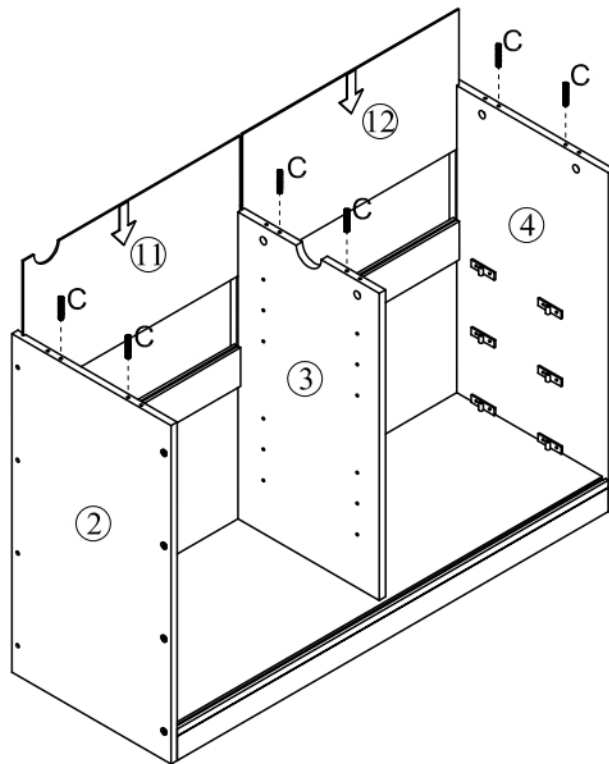
B  x12

C  x4

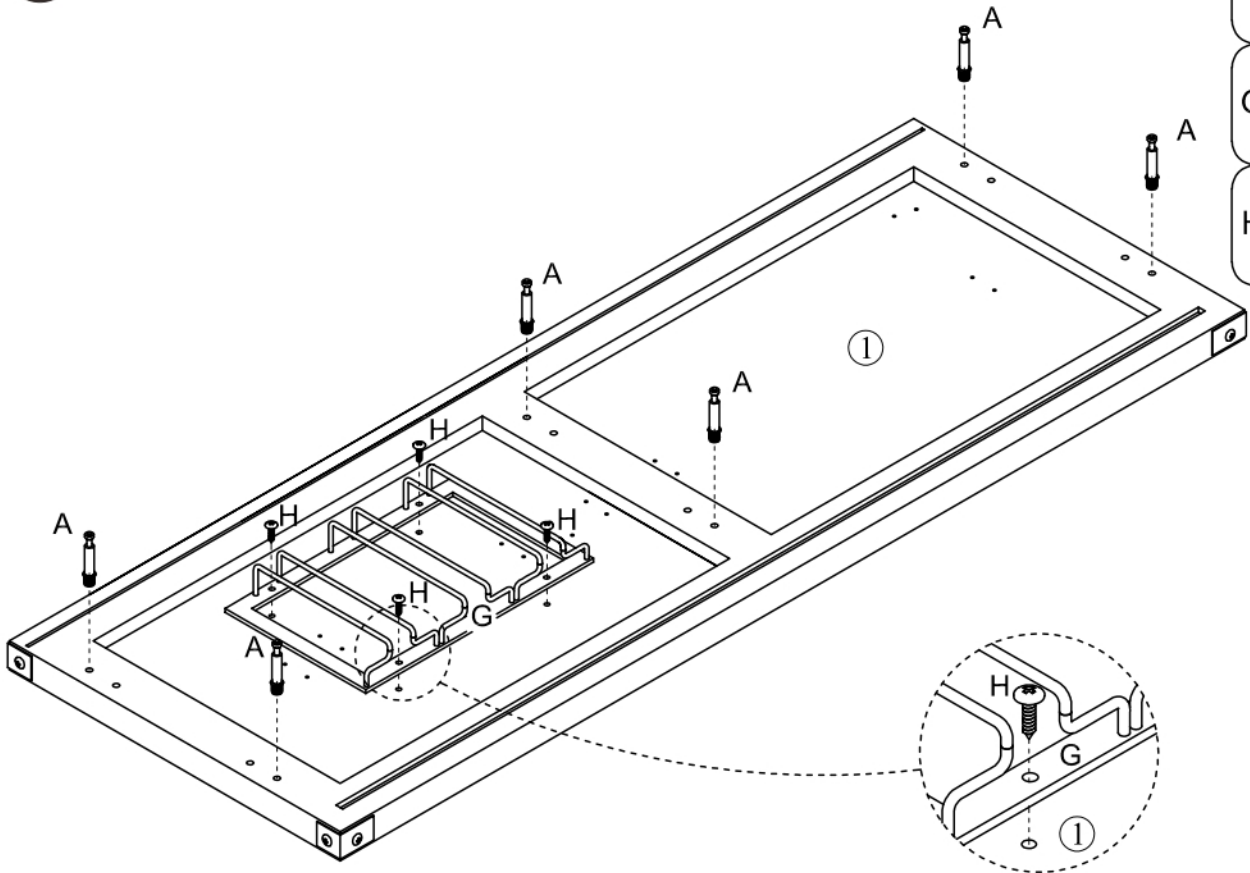





10

C  x6

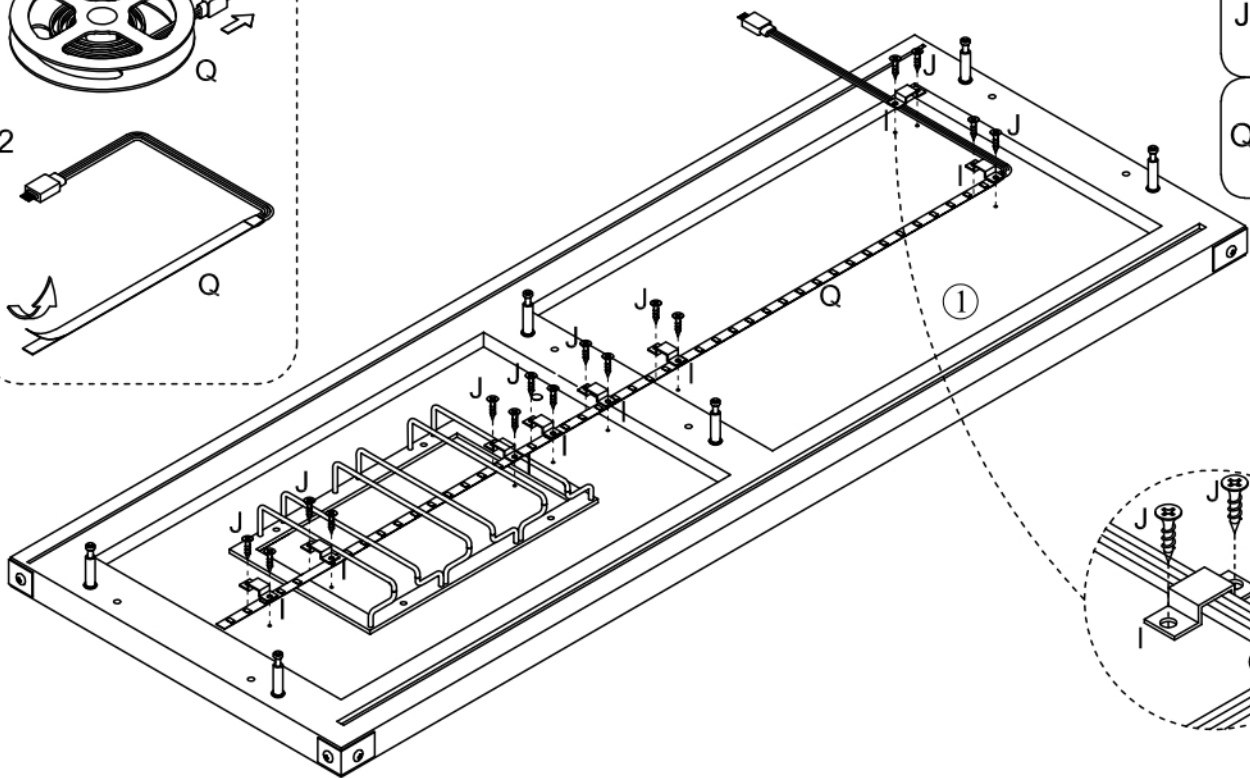
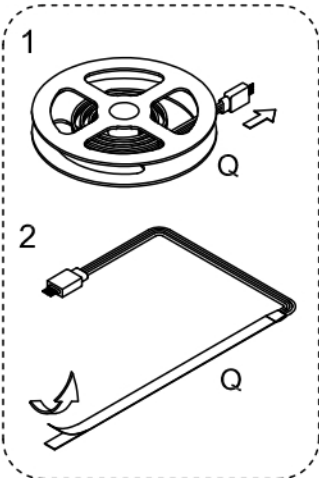





11



- A  x6
- G  x1
- H  x4

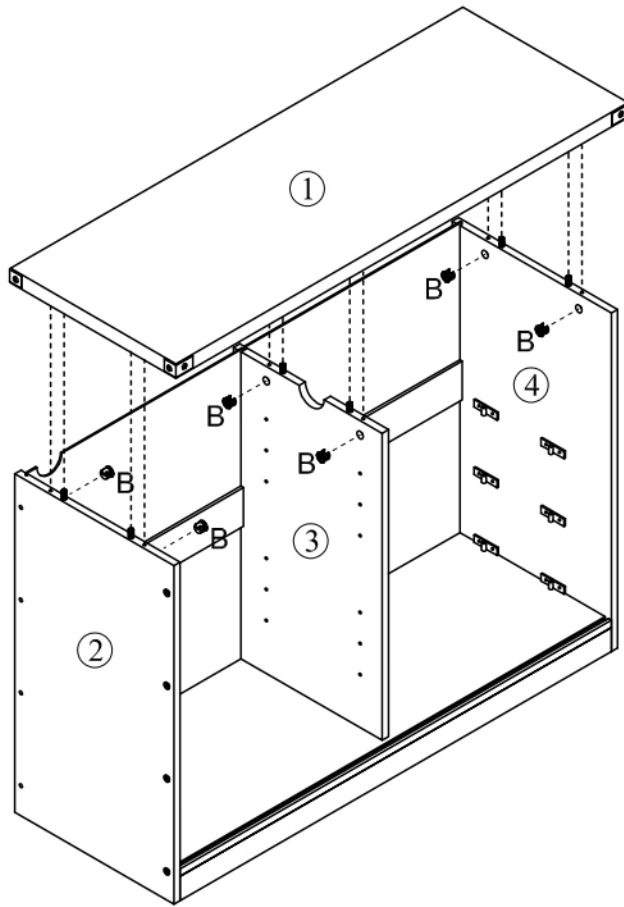
12




- I  x8
- J  x16
- Q  x1

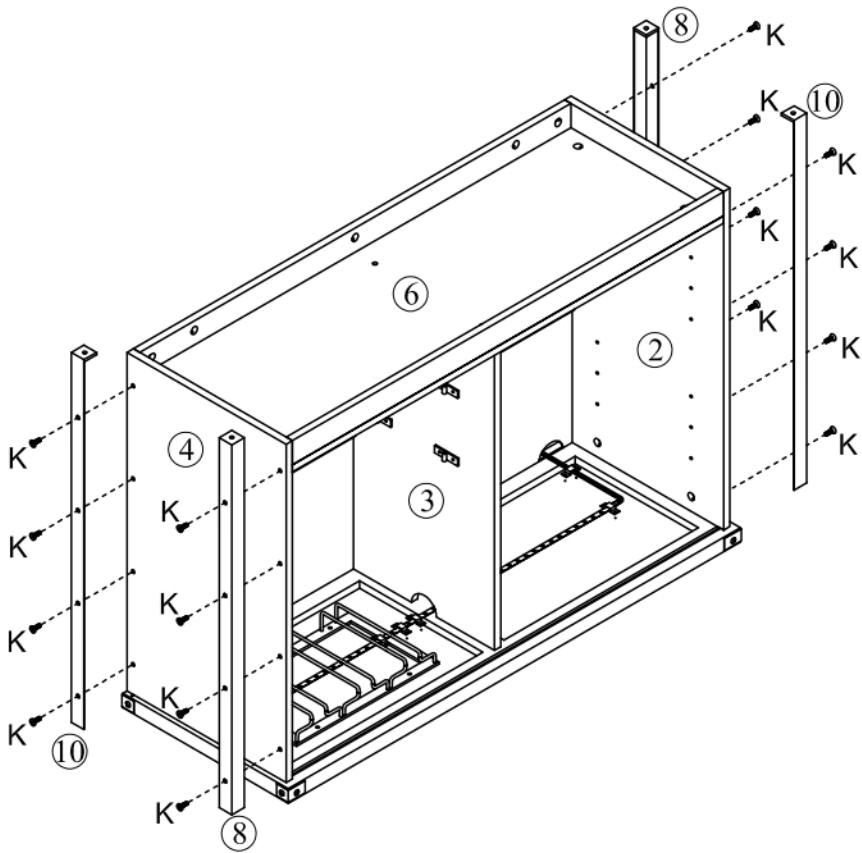
13

B  x6

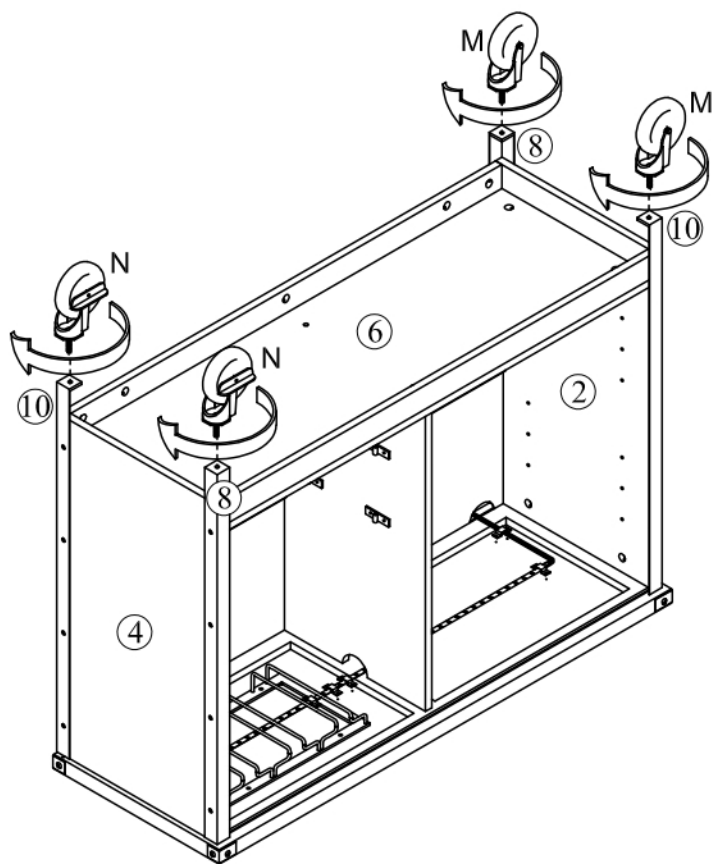





14

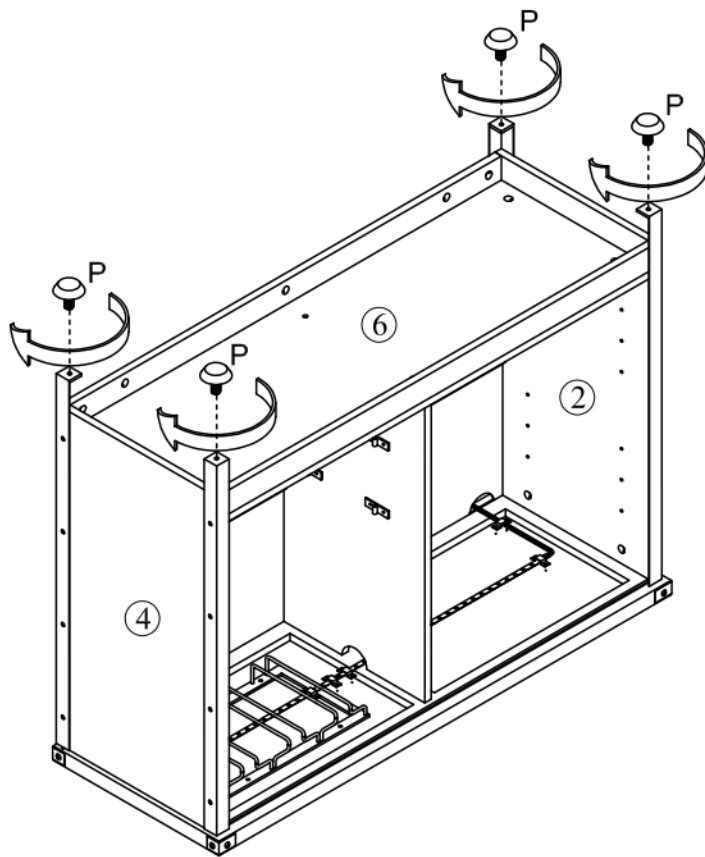
K  x16




15

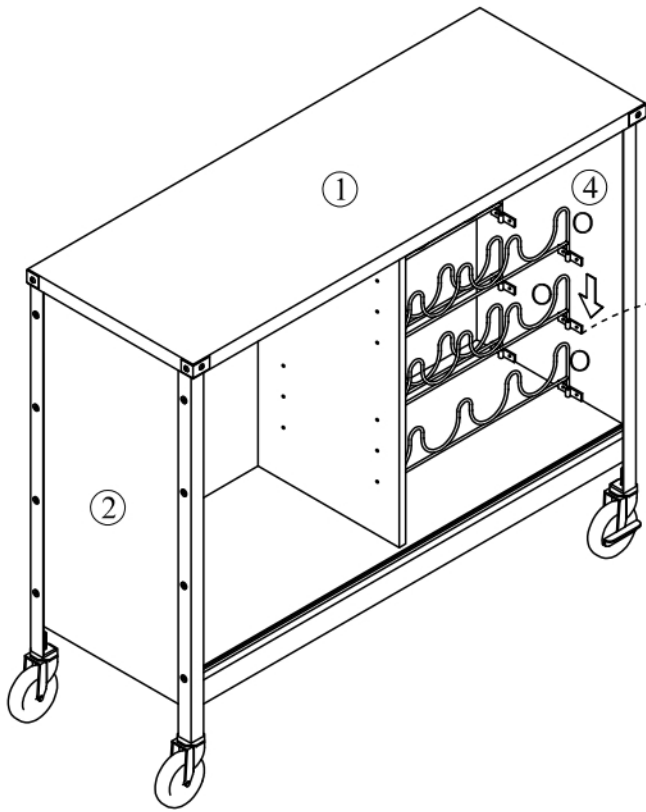


- M  x2
- N  x2
- P  x4



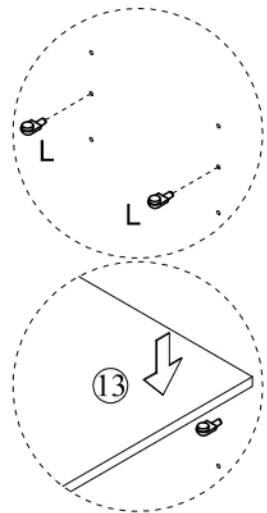
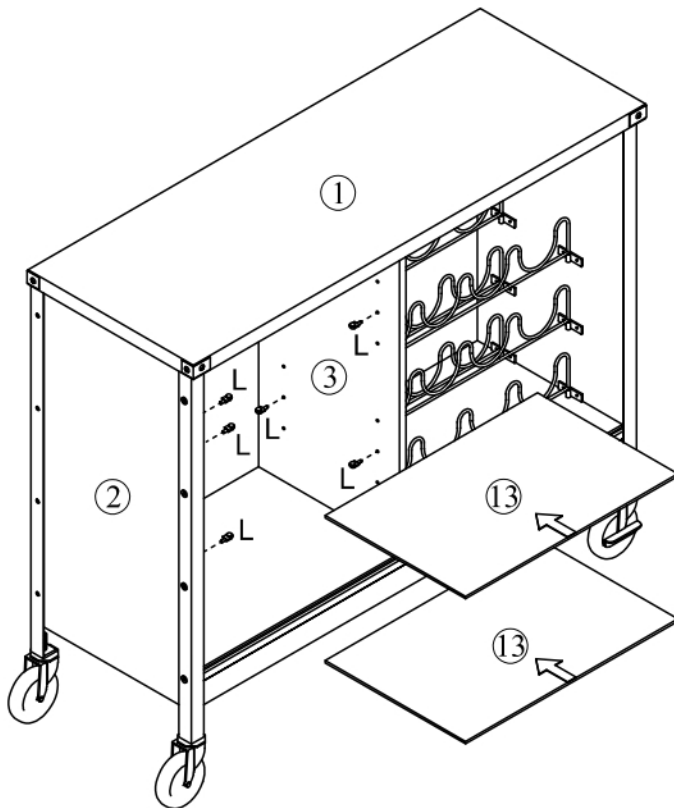
16

O  x6



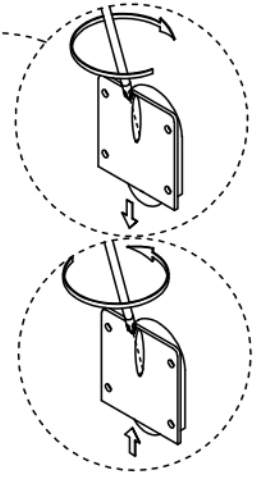
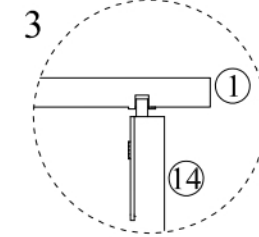
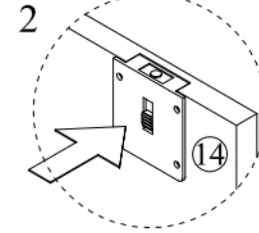
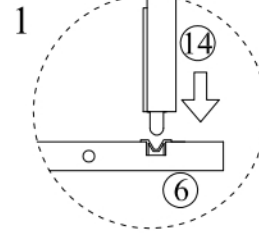
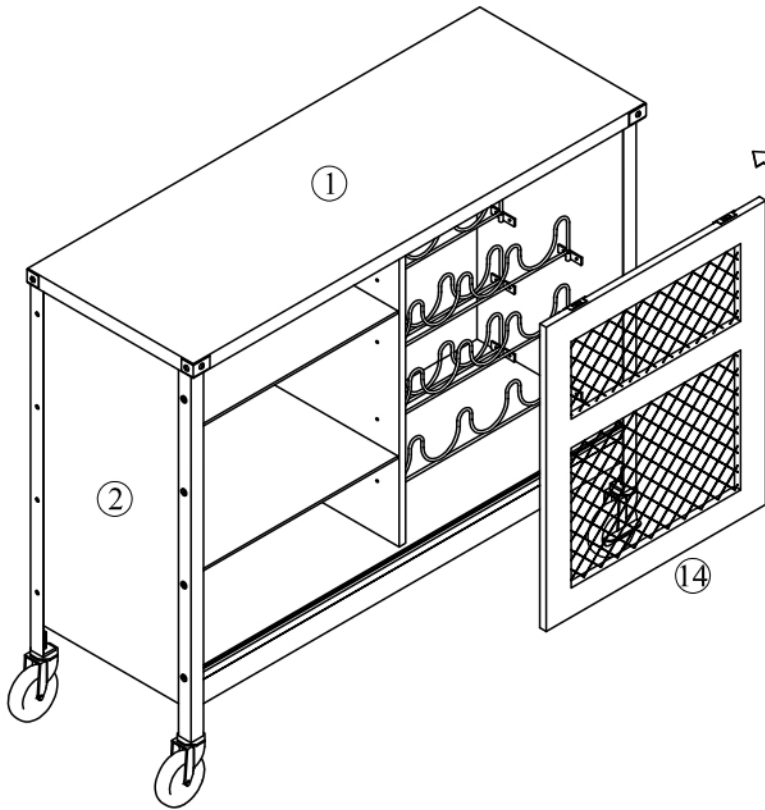
17

L  x8



18

Fix the roller in the slot first, then pull down the buckle.  
After the buckle is aligned with the upper slot, press the button to pop out the buckle and fix the position.



19

