

## ASSEMBLY AND MOUNTING DIAGRAM

### Important Safety Instructions & Warnings

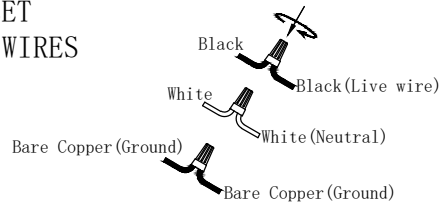
Please read all instructions carefully before starting installation  
We strongly recommend installation by a licensed electrician.

Make sure the electricity to the wires you are working with is shut off. The fuse is removed or circuit breaker is turned off. Simply turning the power off to the light switch is not sufficient to prevent electrical shock.

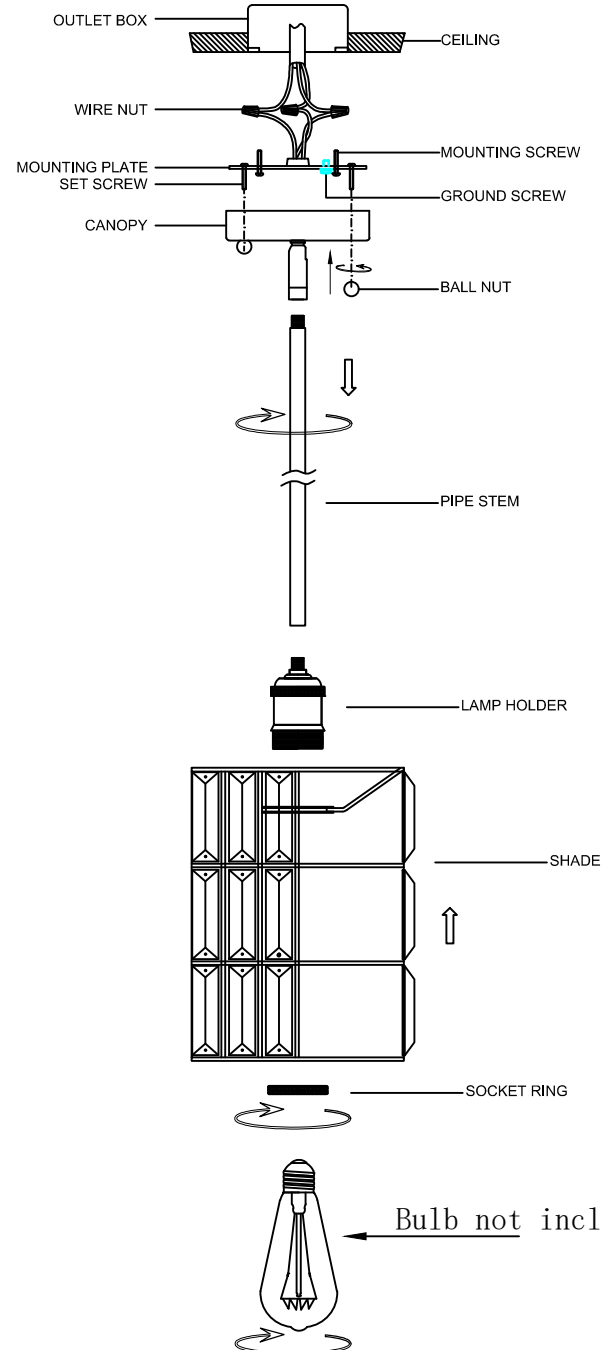


Before discarding the carton double check the packaging to make sure all parts has been found. This fixture was designed to be mounted to an octagon outlet box. The box must be securely mounted to the structure of the building. For your safety and convenience assembly by two people is recommended.

### OUTLET BOX WIRES



### FIXTURE WIRES



## Assembly Instructions



( INDOOR INSTALLATION ONLY)

- STEP 1 Turn off power at the circuit box to avoid possible electric shock.
- STEP 2 Feed the wires through pipe stems, canopy. Screw stem tightly on the lamp holder. Keep adding additional stems to you desired height.
- STEP 3 Attach mounting plate to the outlet box with mounting screws.
- STEP 4 Connect fixture ground wire to outlet box ground wire ( usually green or copper color) by wire nut or connect both ground wires to green screw on the mounting plate and secure them together.
- STEP 5 Connect the fixture neutral ( white) wire to outlet box neutral ( usually white) outlet wire. Fasten both wires together with a wire nut and tightly wrap the wire nut with electrical tape.
- STEP 6 Repeat the previous step with the hot ( black) wires. Make sure there are no exposed wires or strands that could cause a dangerous short circuit.
- STEP 7 Attach the canopy to the mounting plate and secure with ball nuts.
- STEP 8 Attach shade to lamp socket and secure by socket ring.
- STEP 9 Install the bulb ( not included) LED bulb is recommended.
- STEP 10 Restore power to the circuit at breaker or fuse-box.

**【BULB REQUIREMENTS】:** 1 x 60W ( MAX) E26 Bulb ( Not Included) , compatible with LED, Incandescent.

### DIMMING:

This pendant light is dimmable if use matched dimmable switch and bulb.

### CLEANING

Please clean with a soft, dry cloth ONLY! Do not use cleaning products.