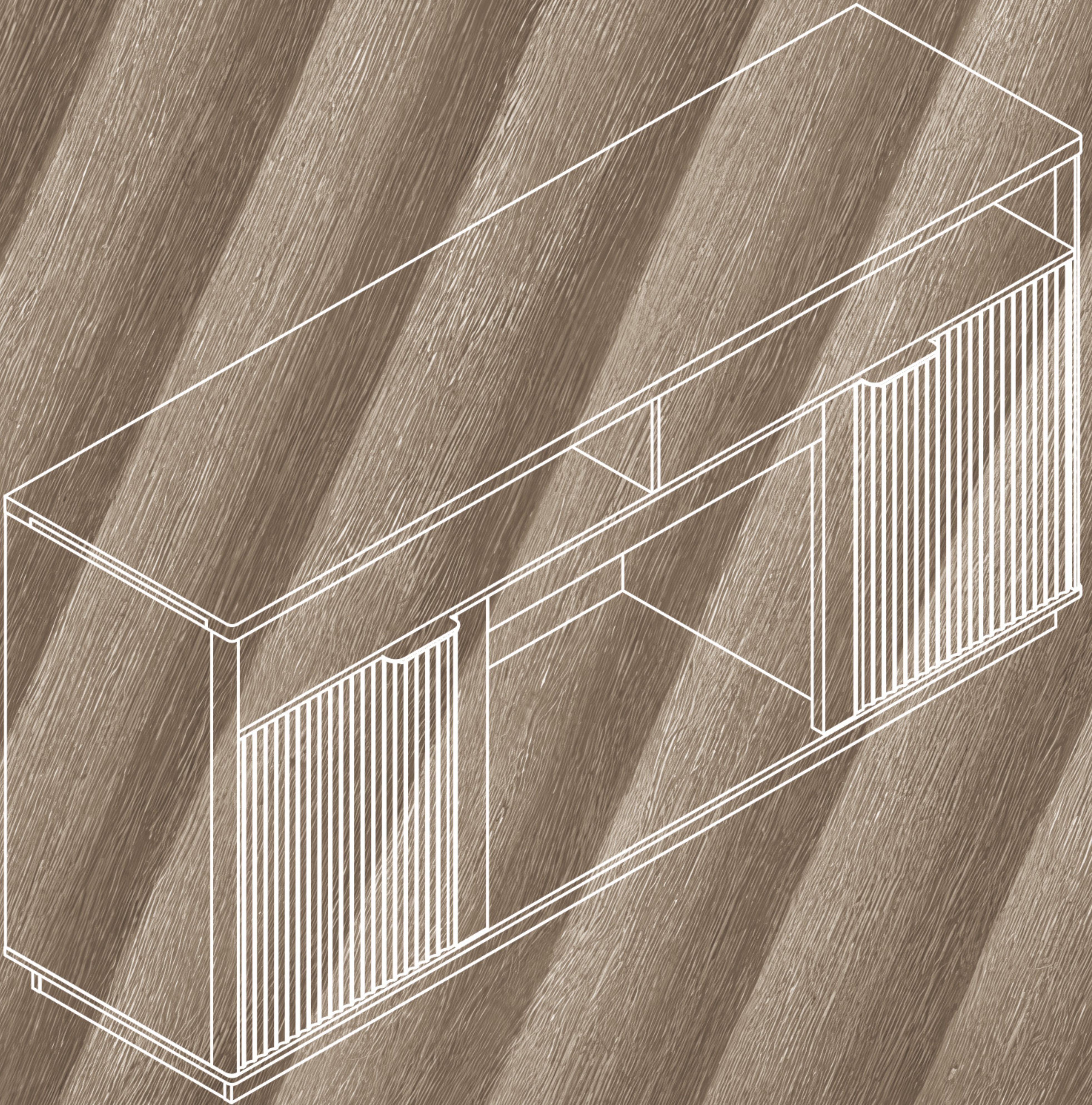


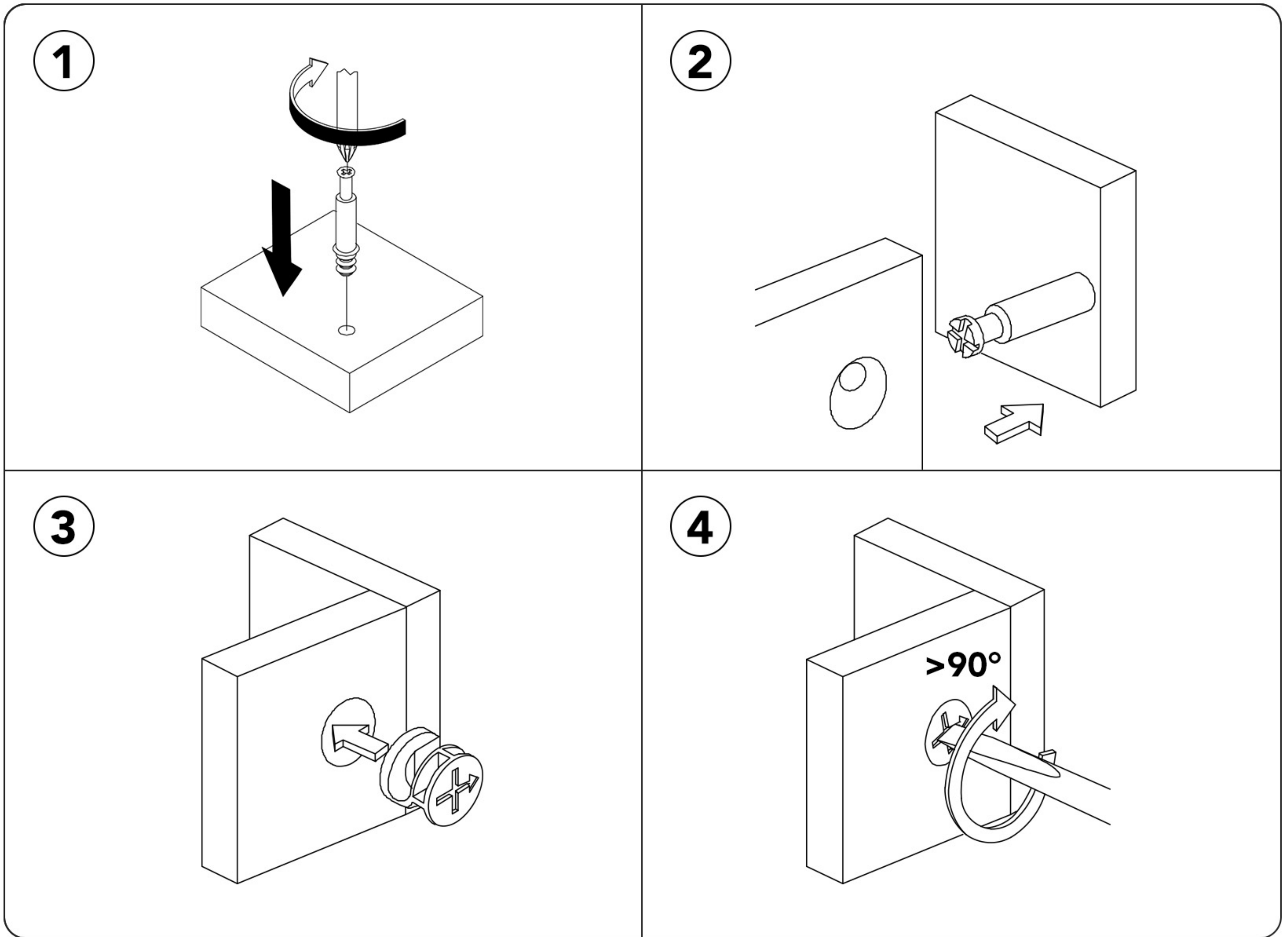
TV Stand

Assembly Instructions



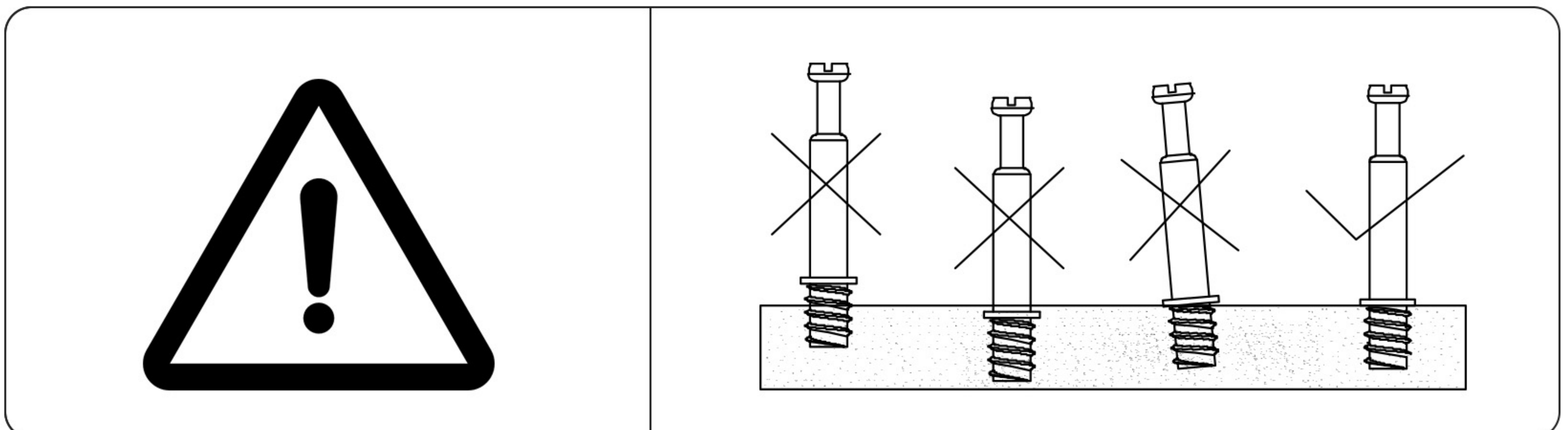
— HMTS-004 —

Heads Up: Common Installation Mistakes

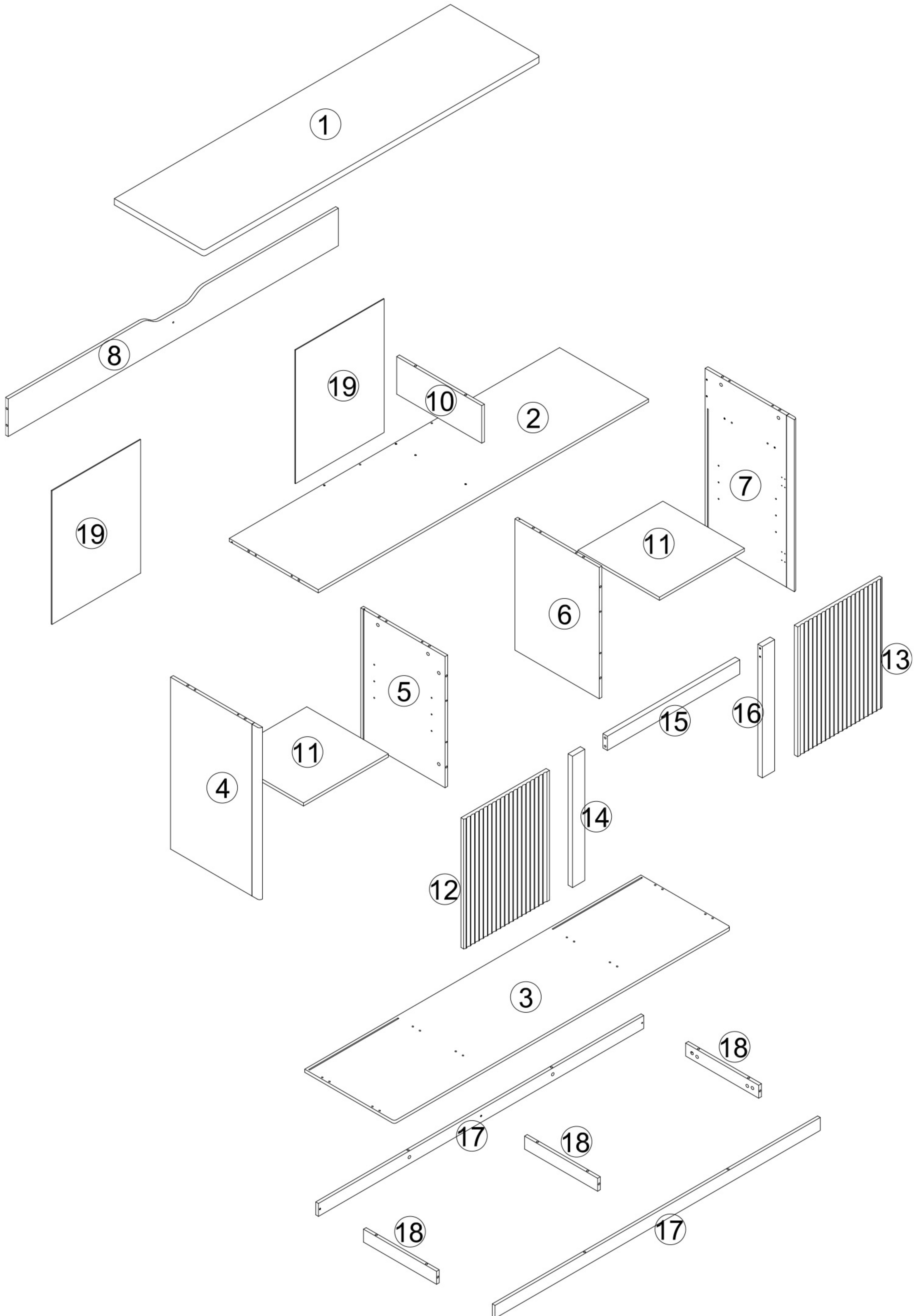


The screw must be installed perfectly straight and to the correct depth. Improper installation, such as being too deep, too shallow, or crooked, must be avoided.

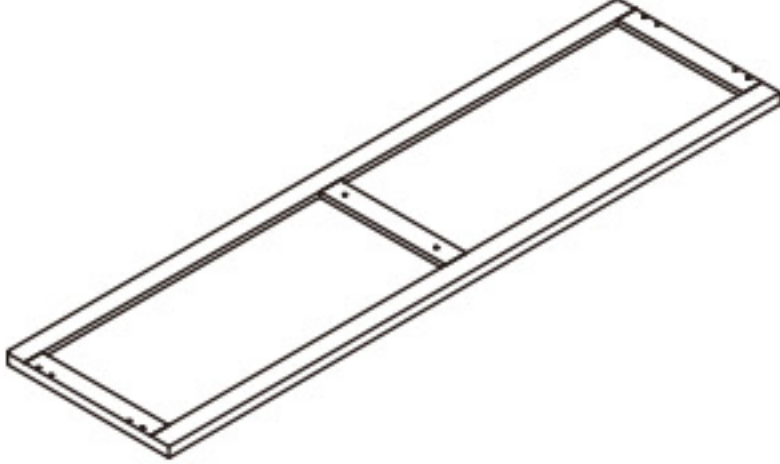
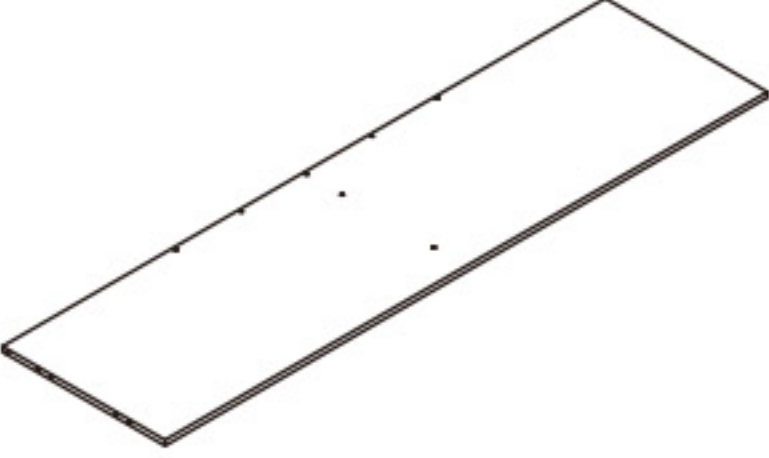
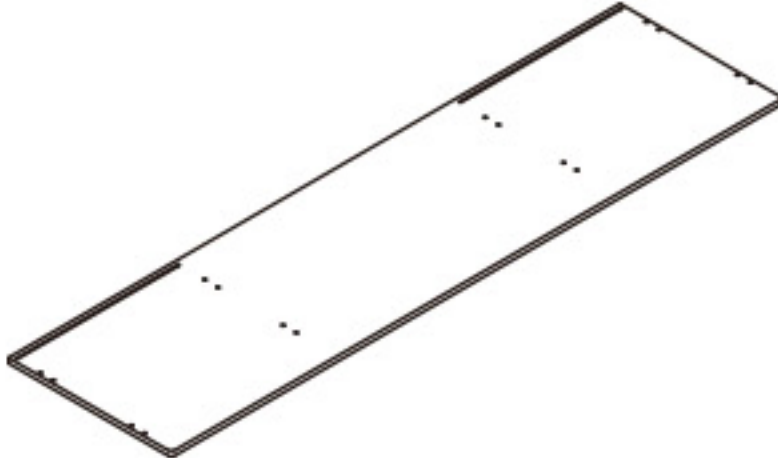
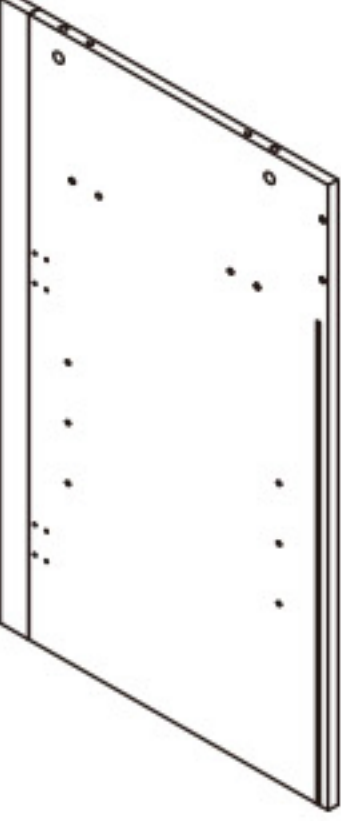
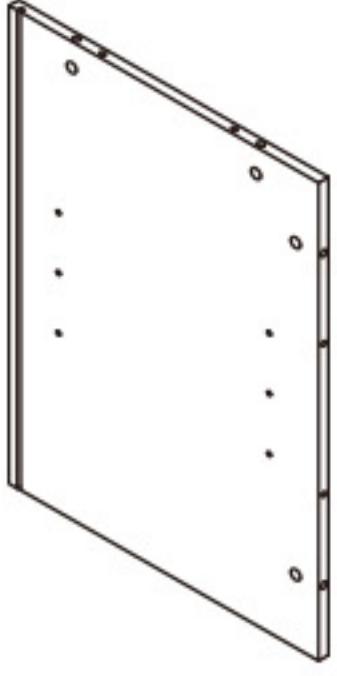
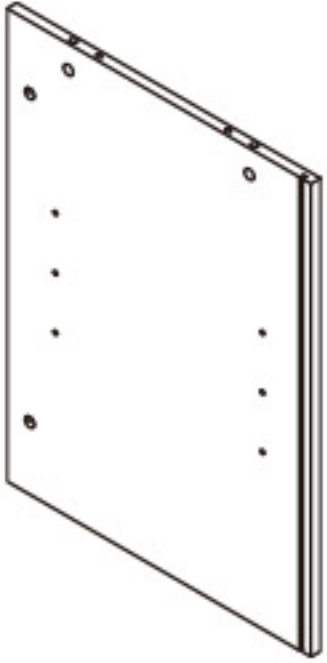
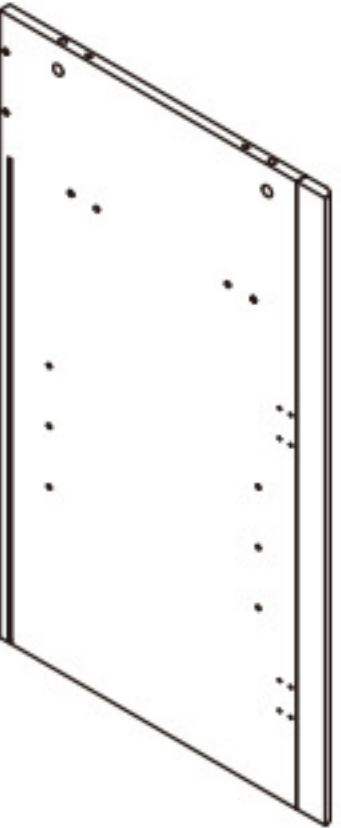
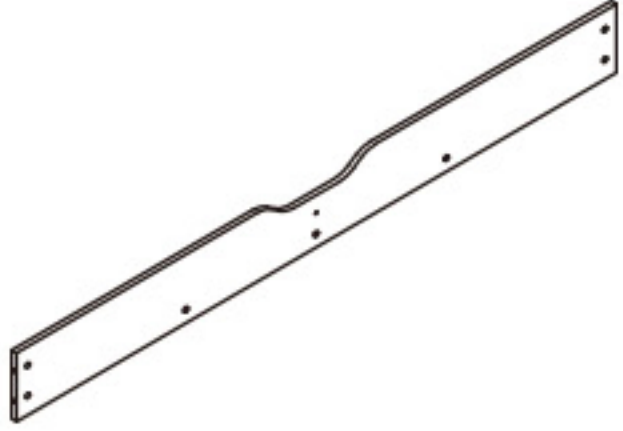
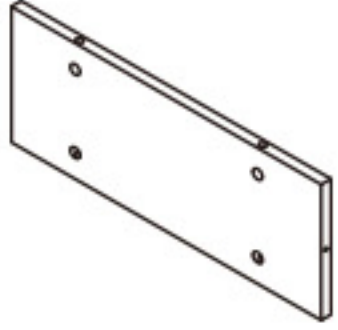
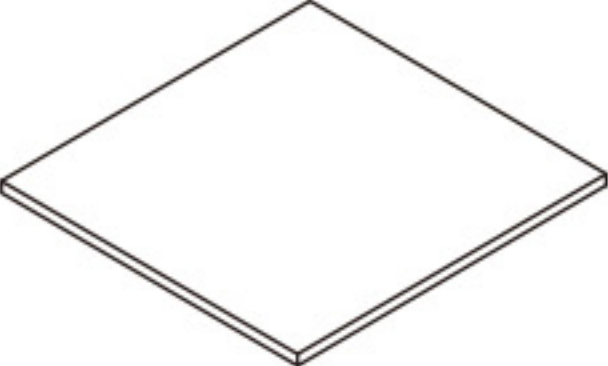
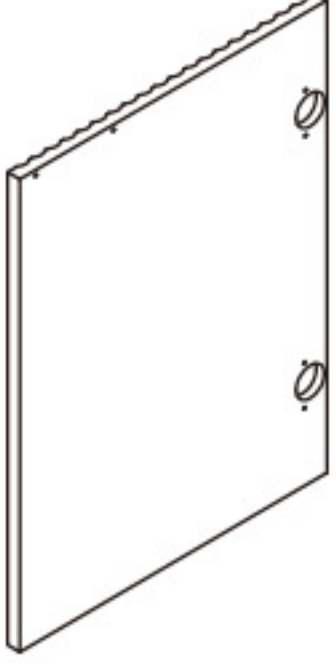
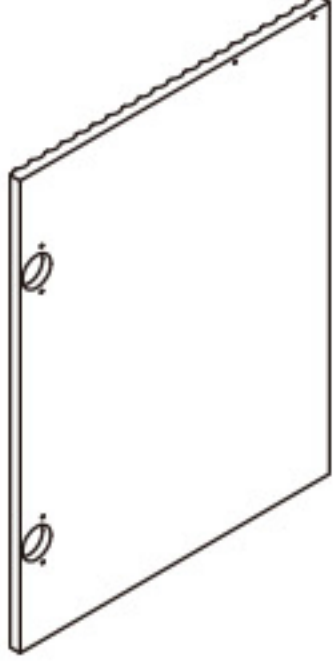

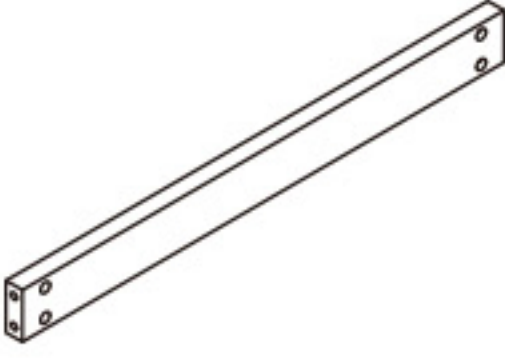


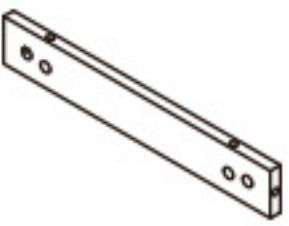
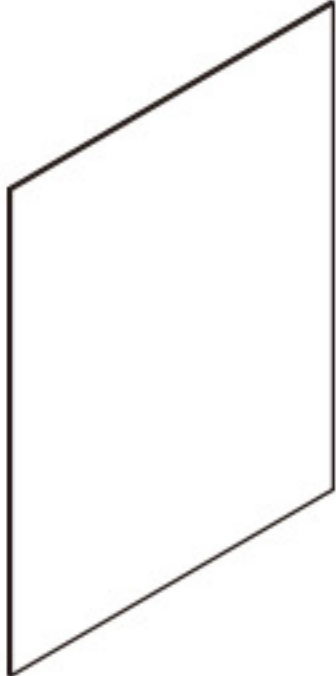
WARNING: Improper installation will compromise the assembly's integrity.



PARTS LIST

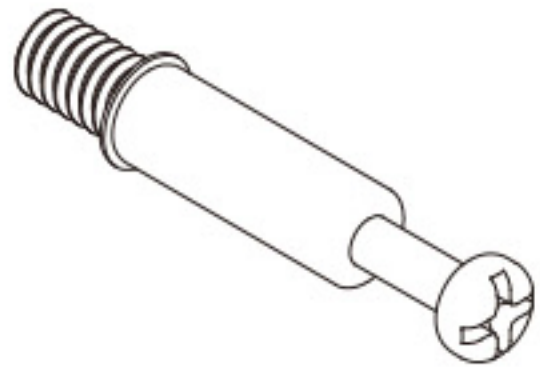


PARTS LIST

<p>①</p>  <p>x1</p>	<p>②</p>  <p>x1</p>	<p>③</p>  <p>x1</p>
<p>④</p>  <p>x1</p>	<p>⑤</p>  <p>x1</p>	<p>⑥</p>  <p>x1</p>
<p>⑦</p>  <p>x1</p>	<p>⑧</p>  <p>x1</p>	<p>⑩</p>  <p>x1</p>
<p>⑪</p>  <p>x2</p>	<p>⑫</p>  <p>x1</p>	<p>⑬</p>  <p>x1</p>
<p>⑭</p>  <p>x1</p>	<p>⑮</p>  <p>x1</p>	<p>⑯</p>  <p>x1</p>
<p>⑰</p>  <p>x2</p>	<p>⑱</p>  <p>x3</p>	<p>⑲</p>  <p>x2</p>

PARTS LIST

A x43



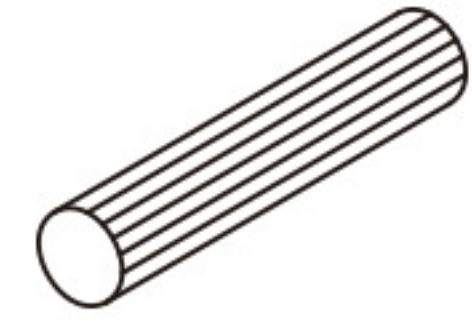
M5x30mm

B x43



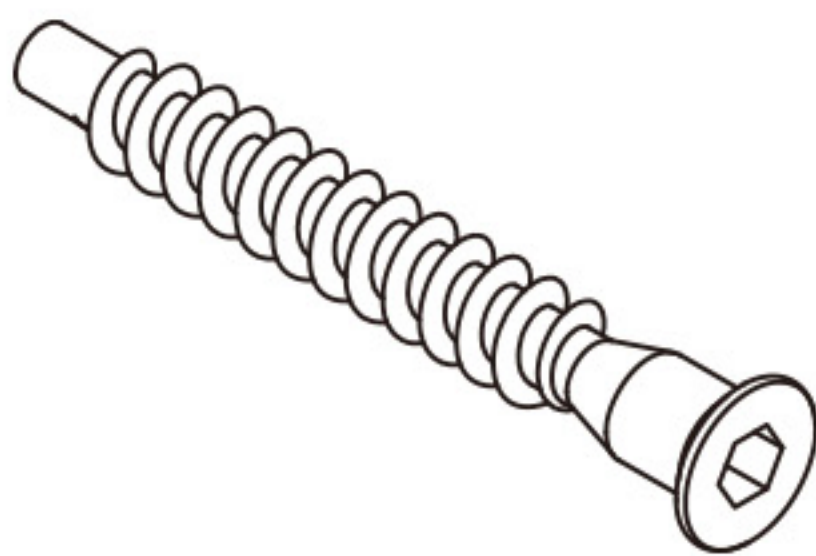
M12x9.5mm

C x26



M6x30mm

D x9



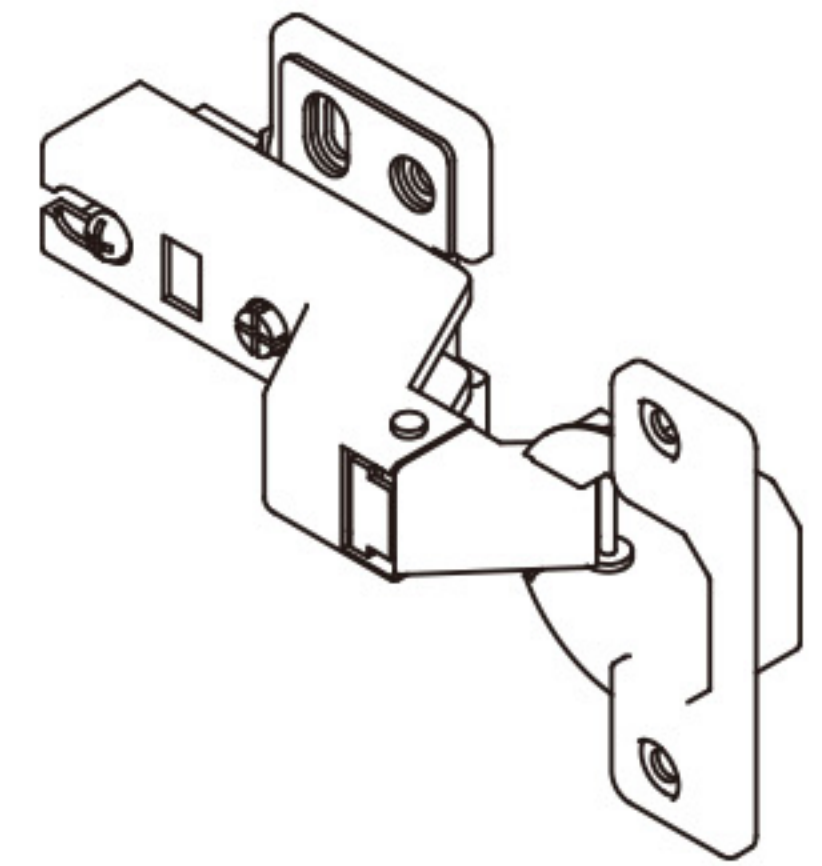
M5x40mm

E x36

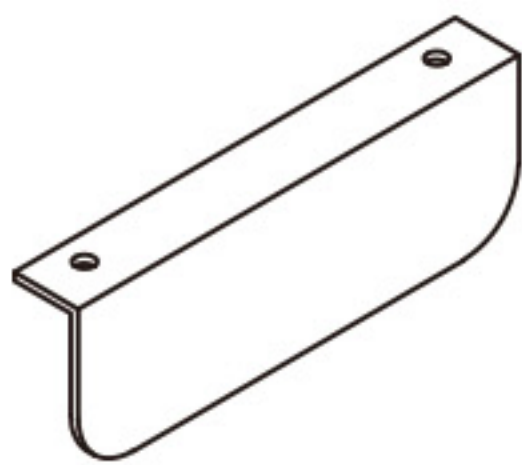


M3.5x12mm

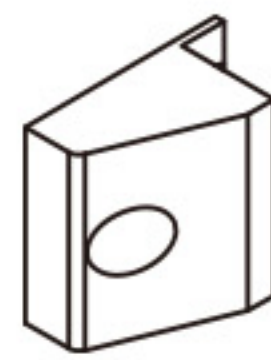
F x4



G x2



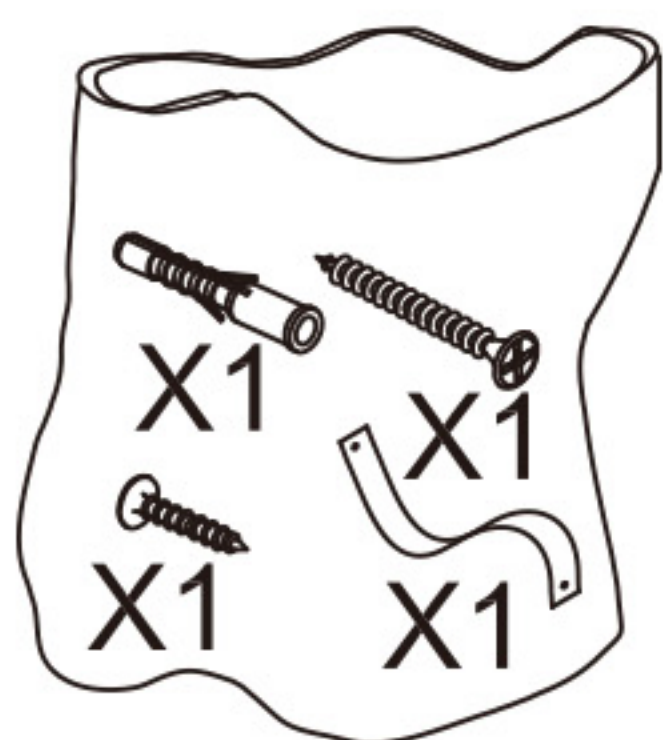
H x8



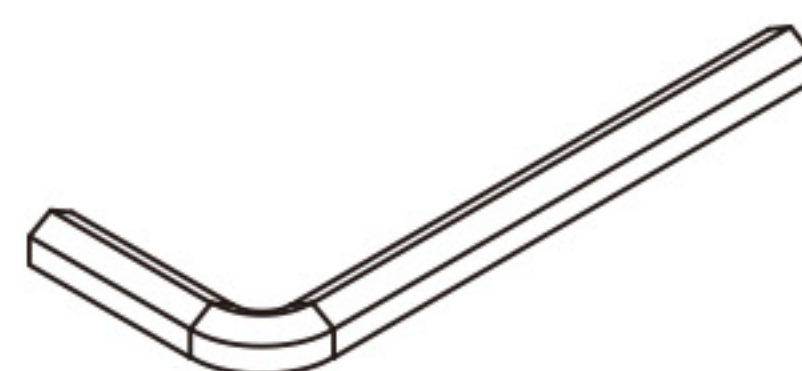
J x8



K x2



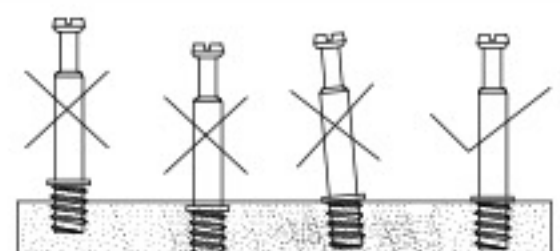
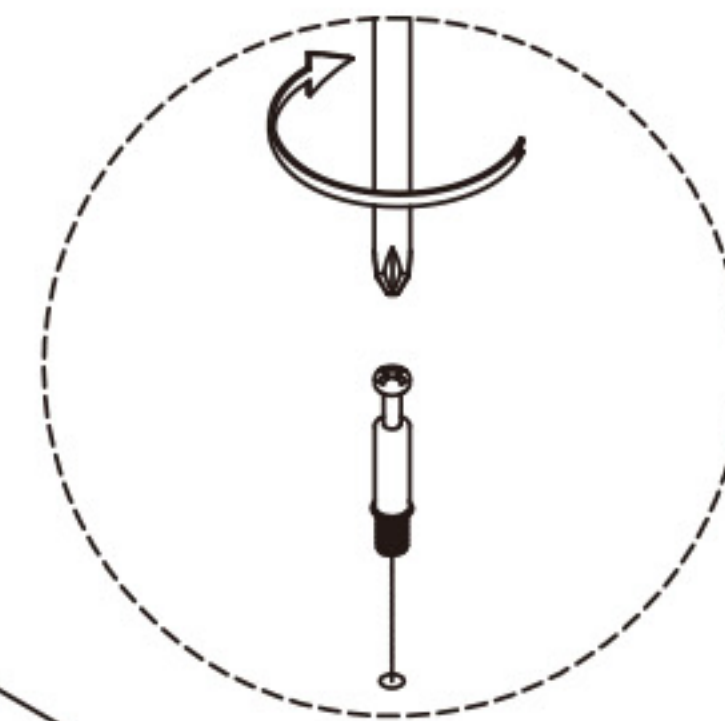
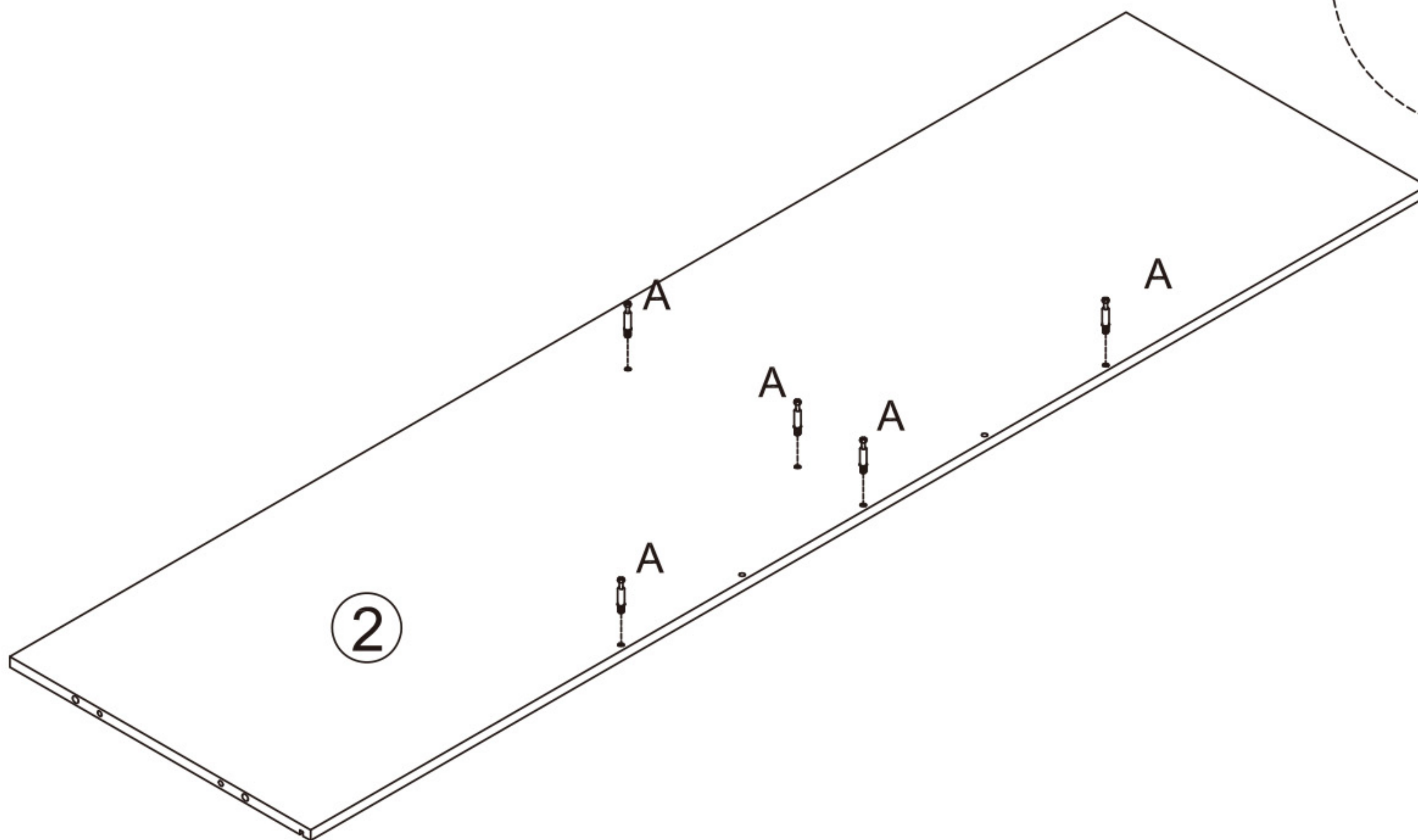
M3.5x35mm
M4x12mm



M3

Assembly Steps

1

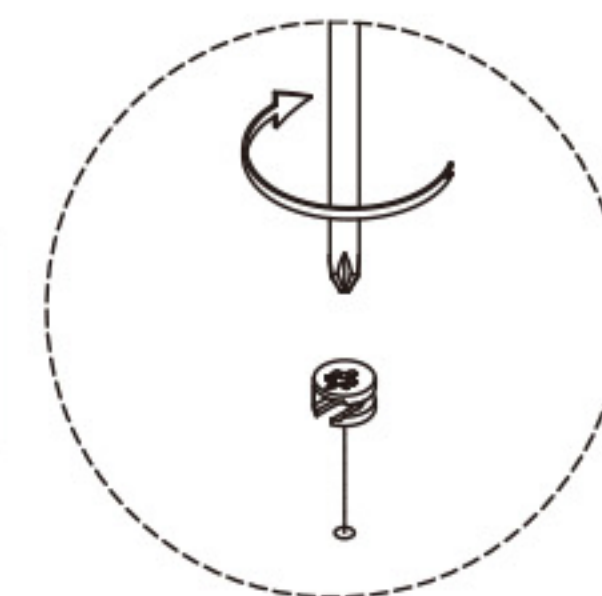
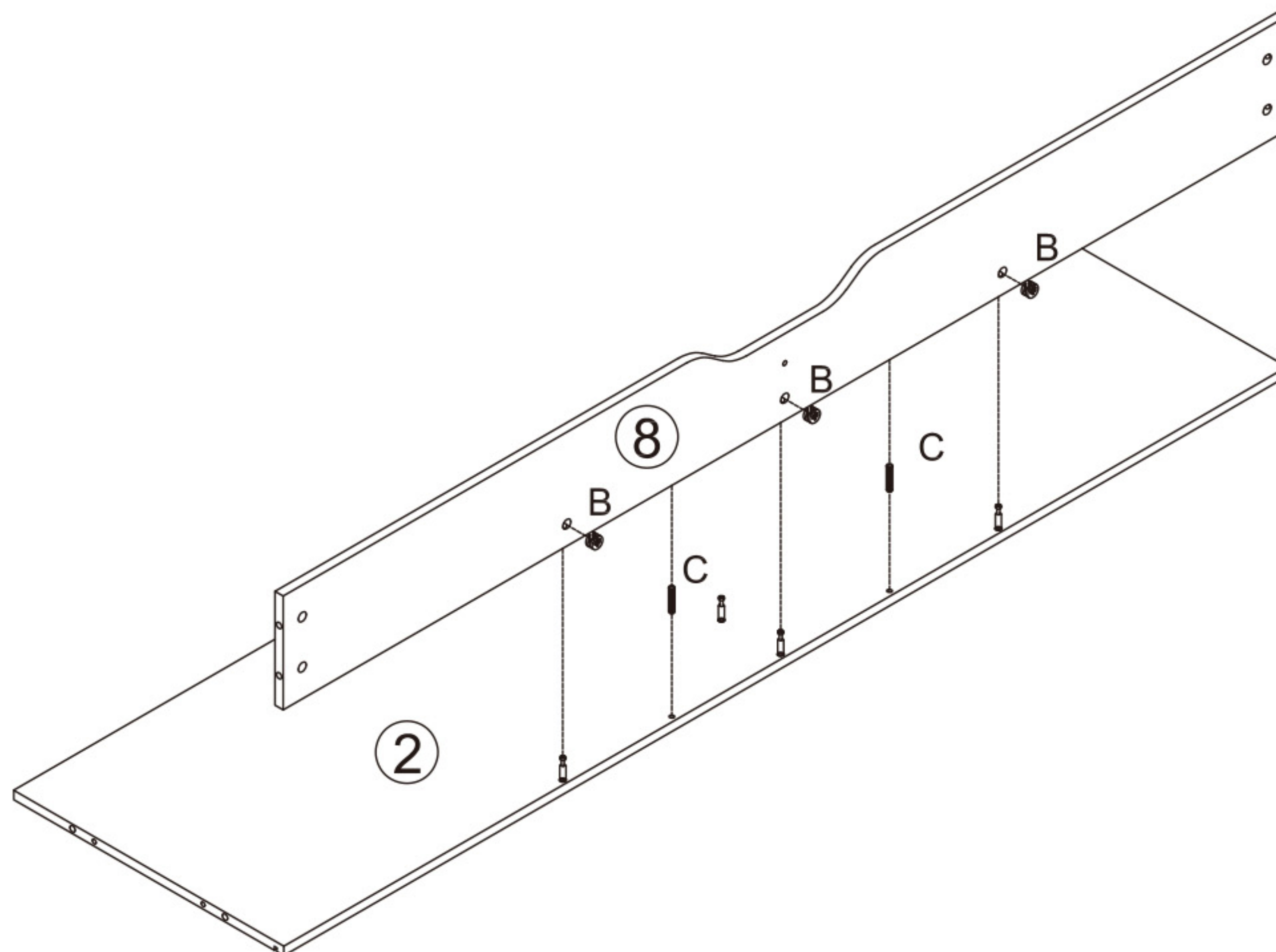


A



x5

2

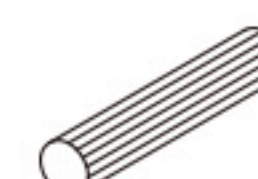


B

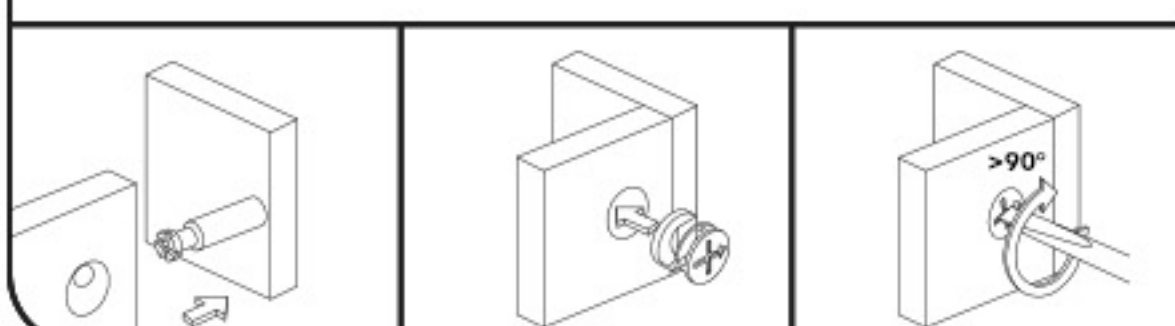


x3

C

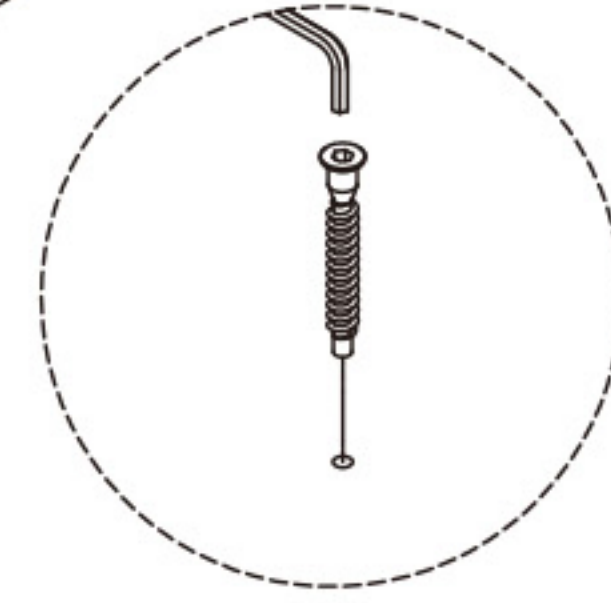
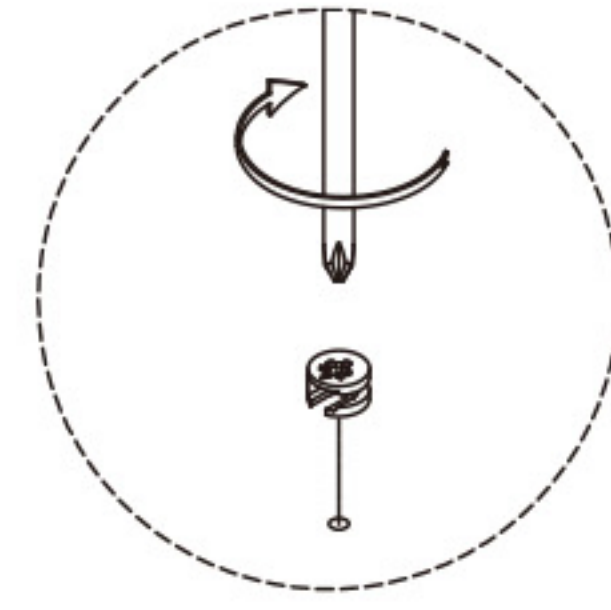
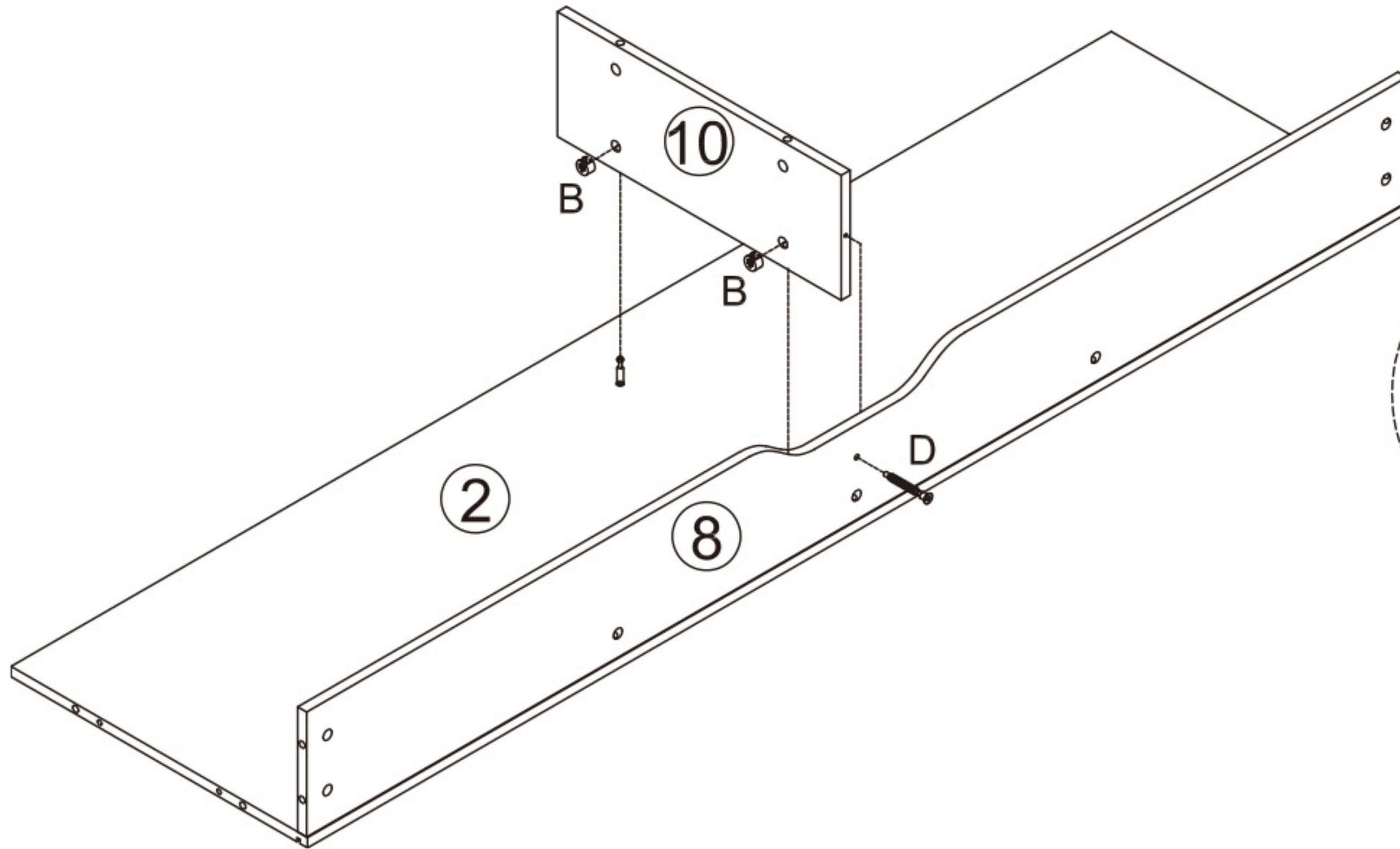




x2

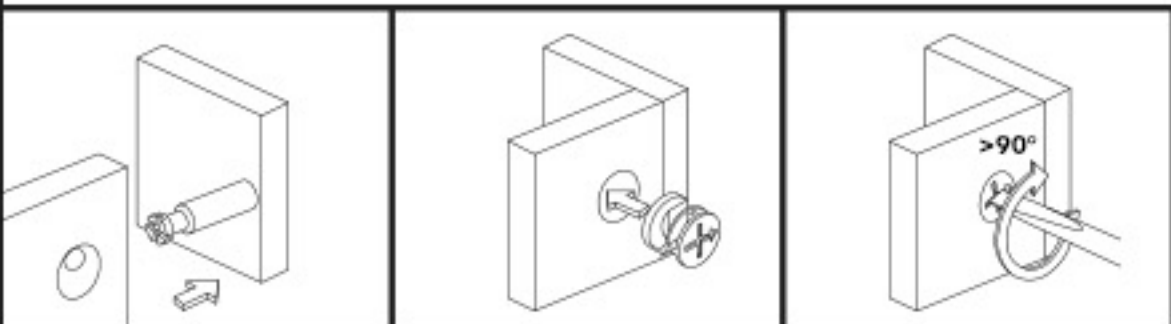


Assembly Steps

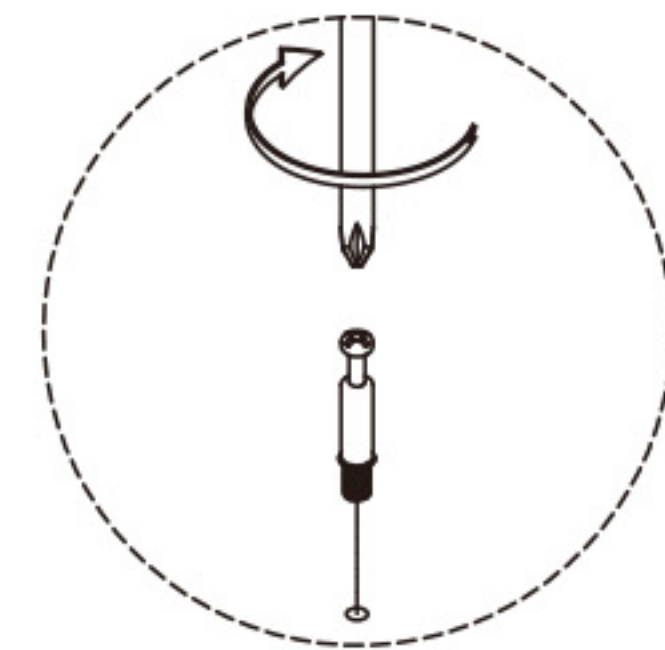
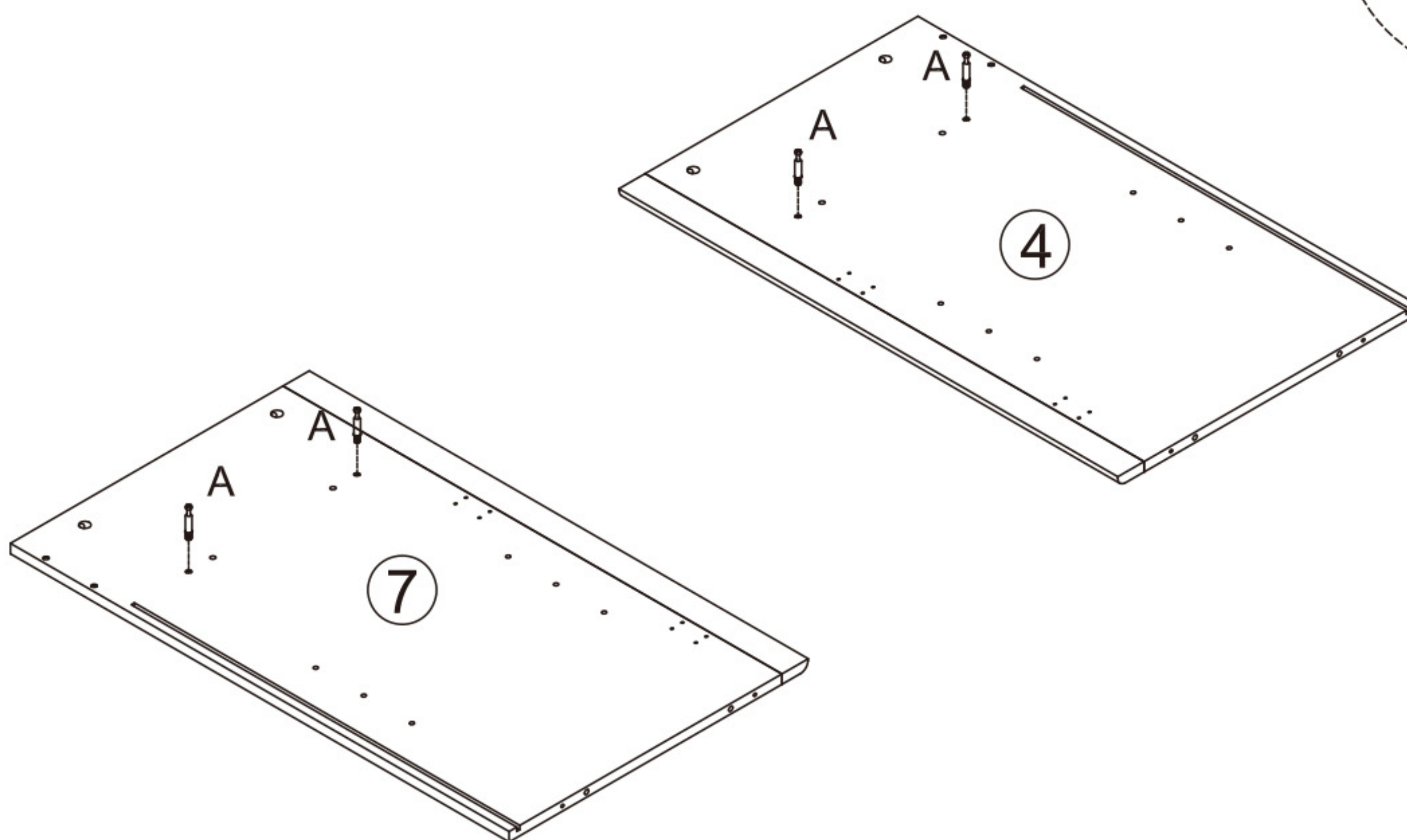
3




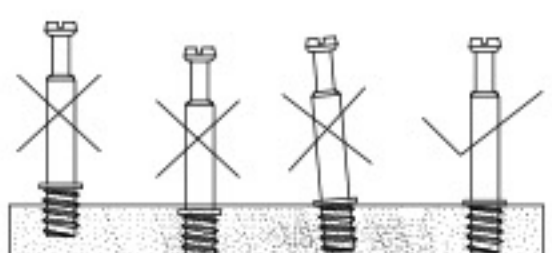
B		×2
D		×1



4

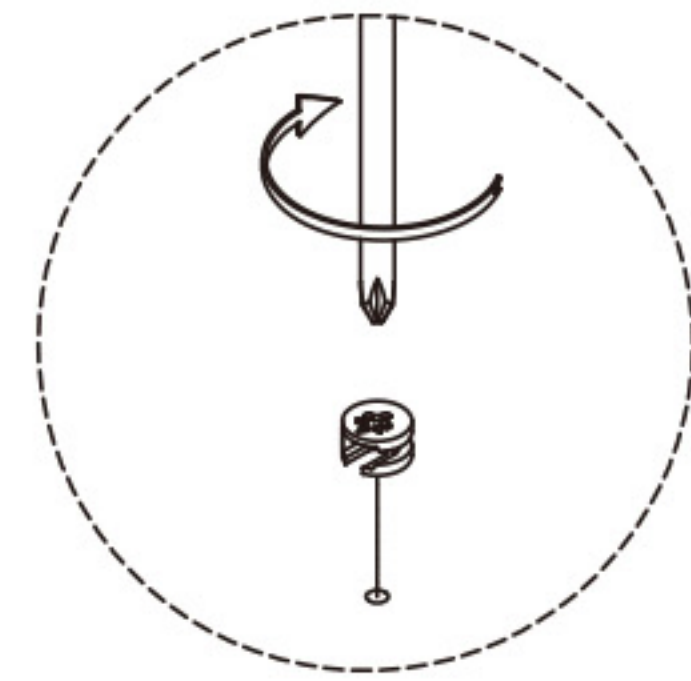
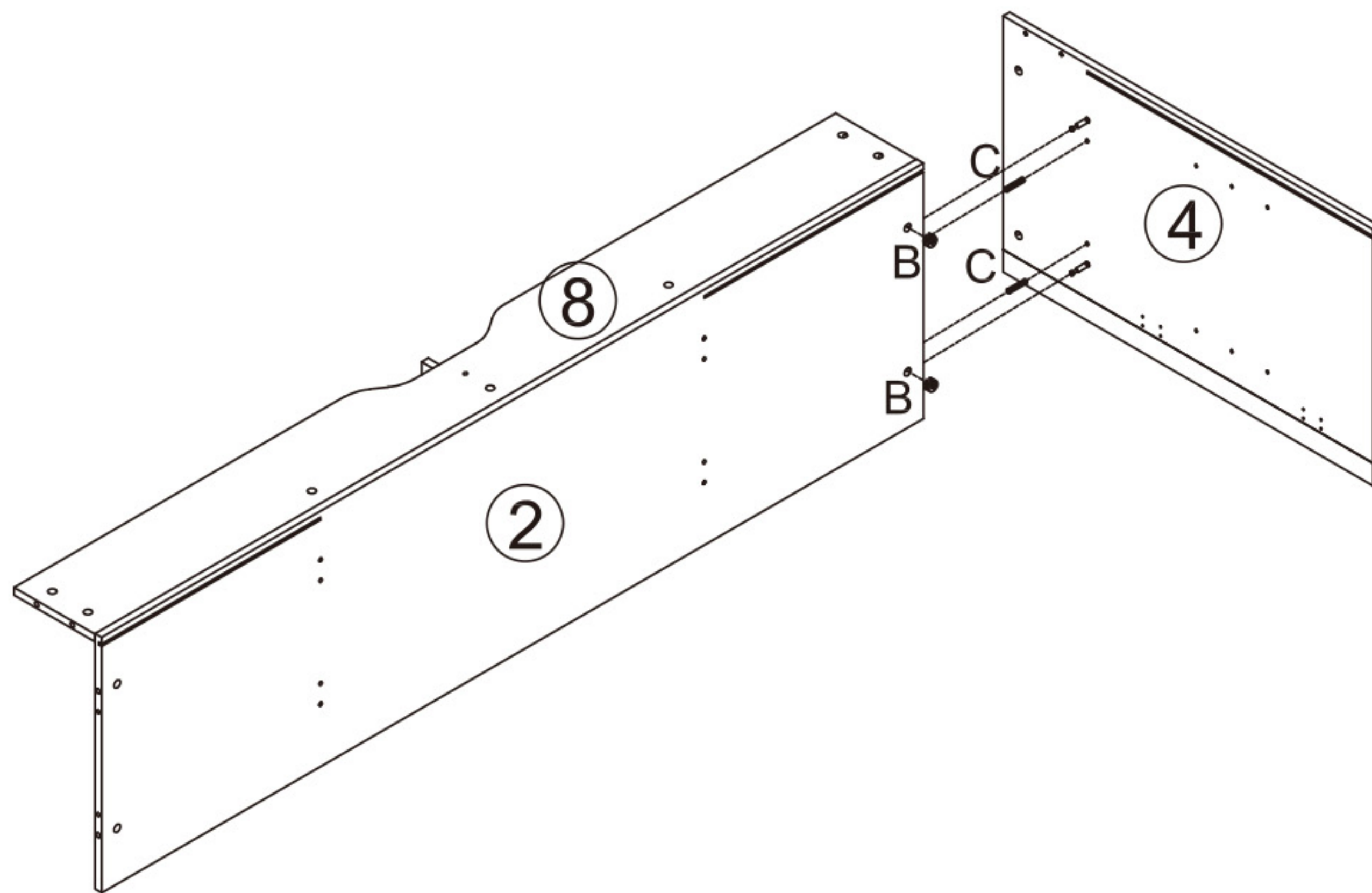



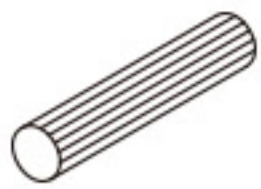
A		×4
---	---	----

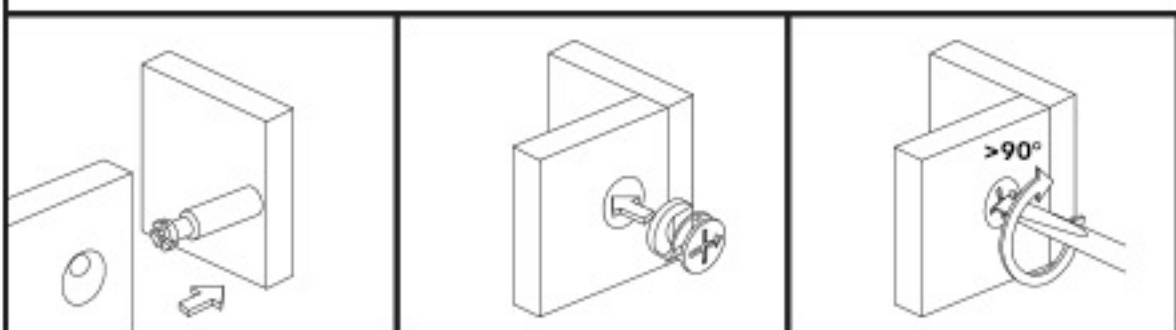


Assembly Steps

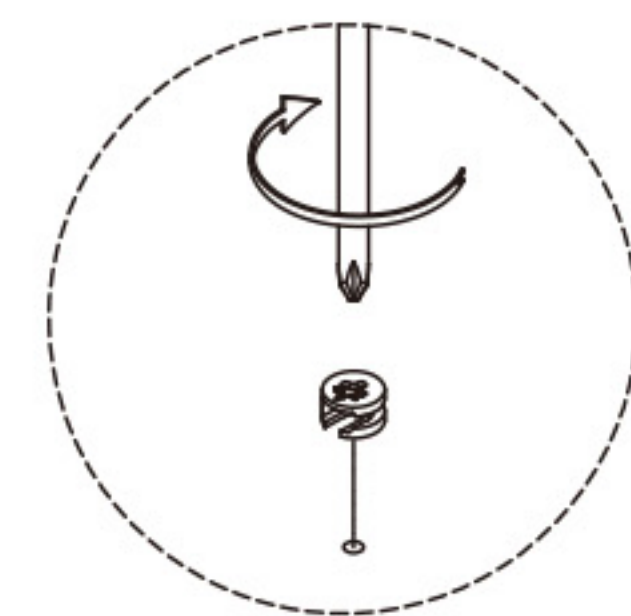
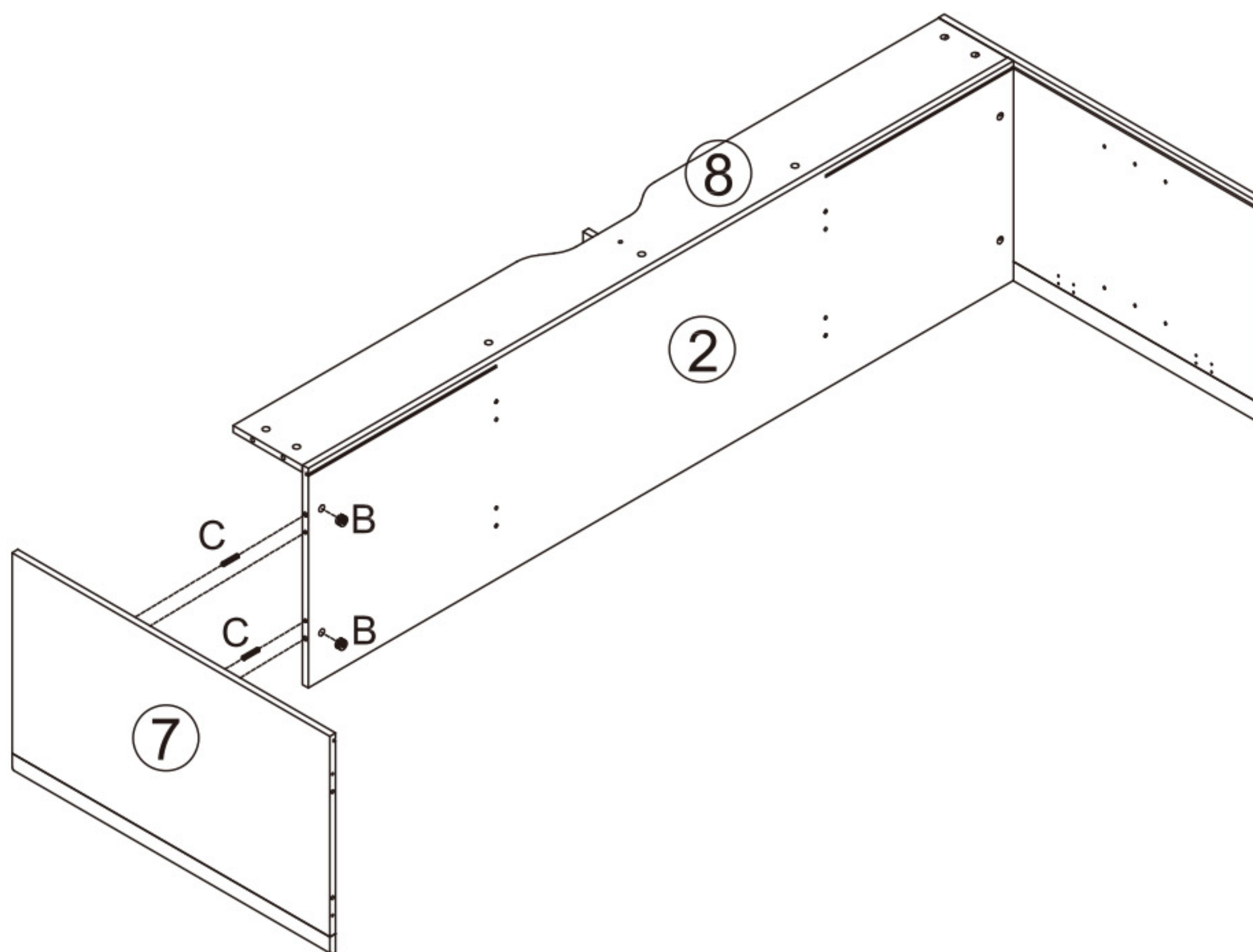
5


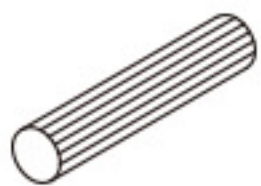


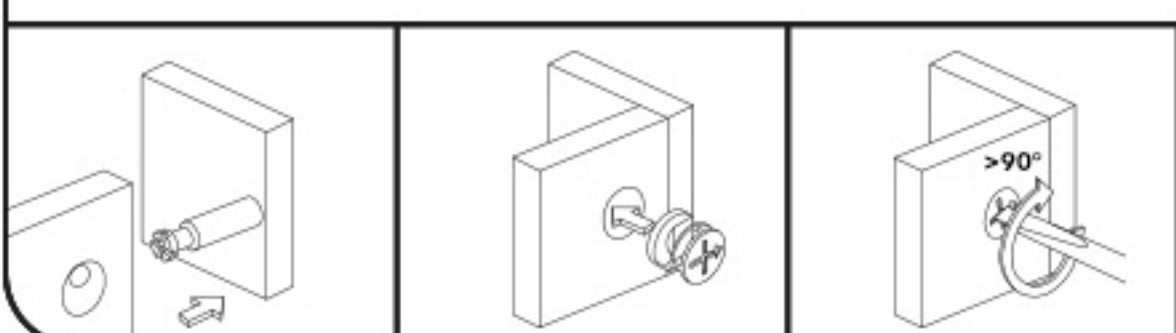
B		×2
C		×2



6

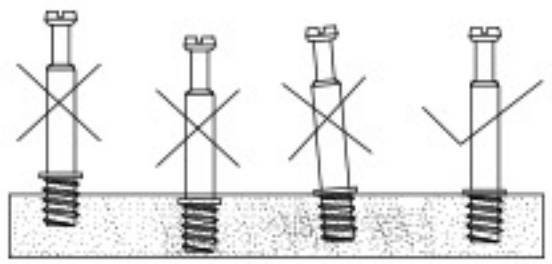
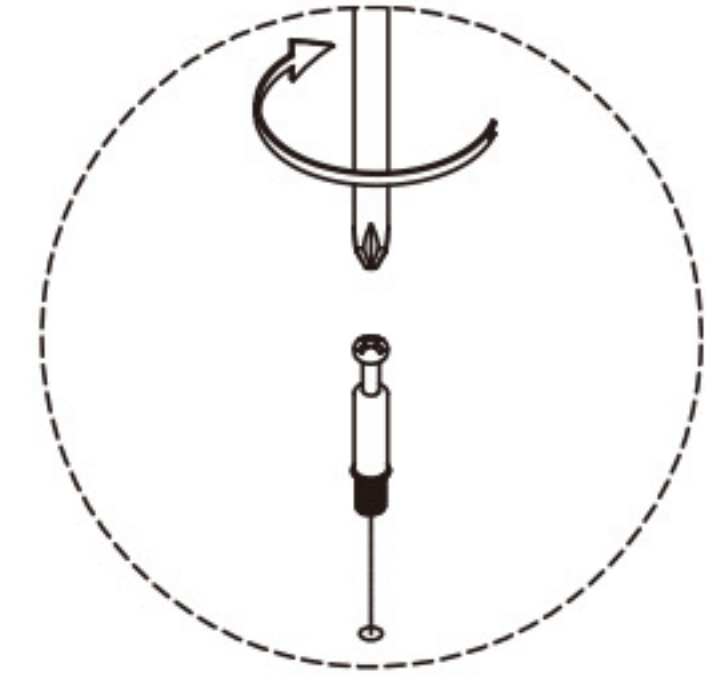
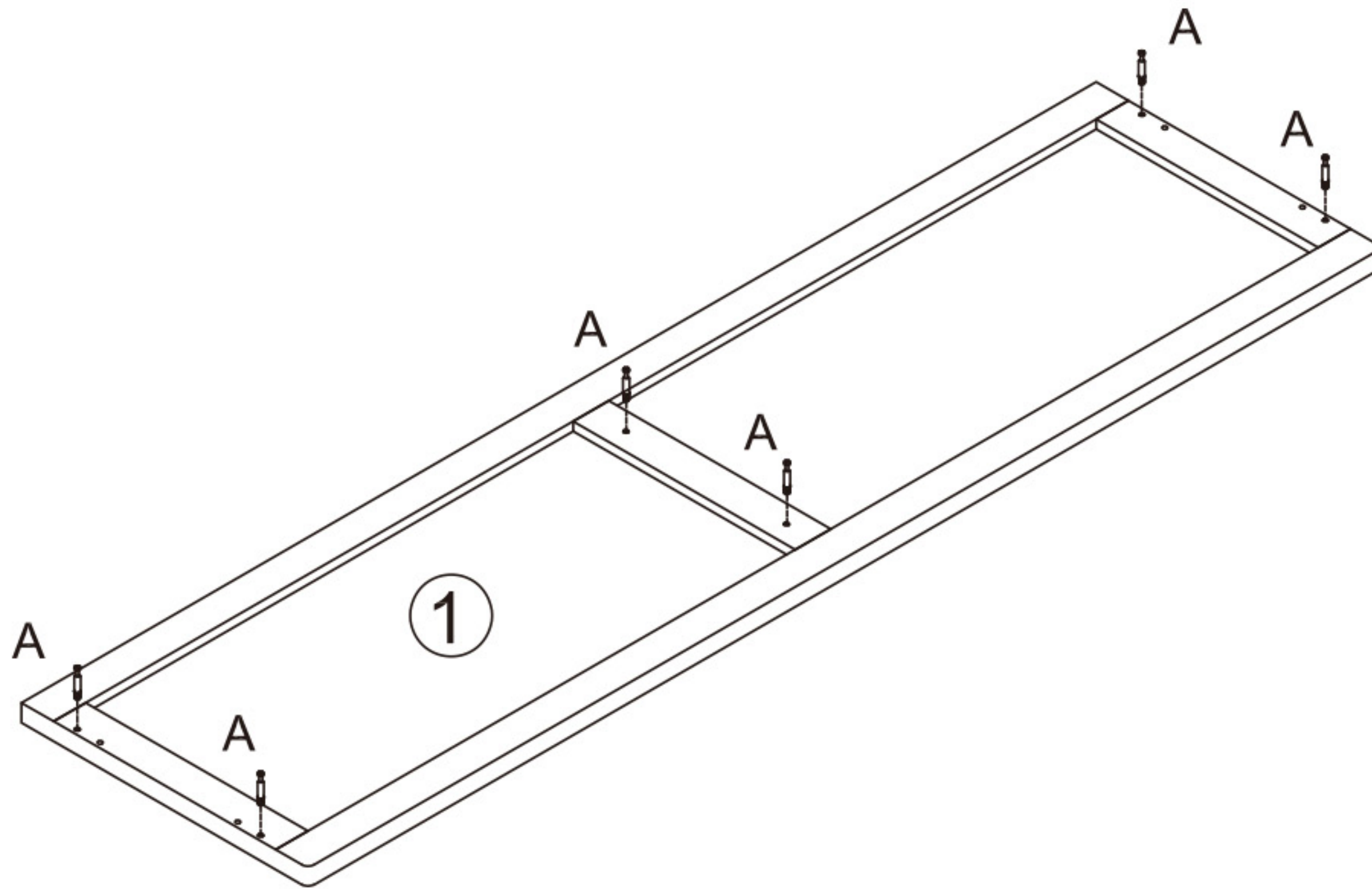


B		×2
C		×2



Assembly Steps

7

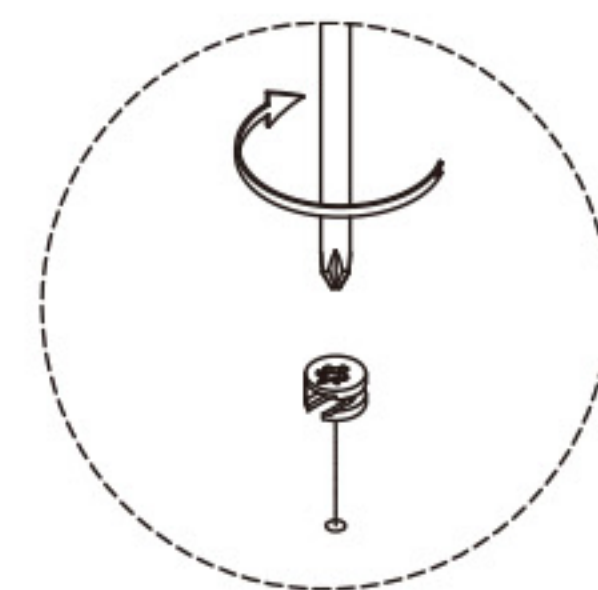
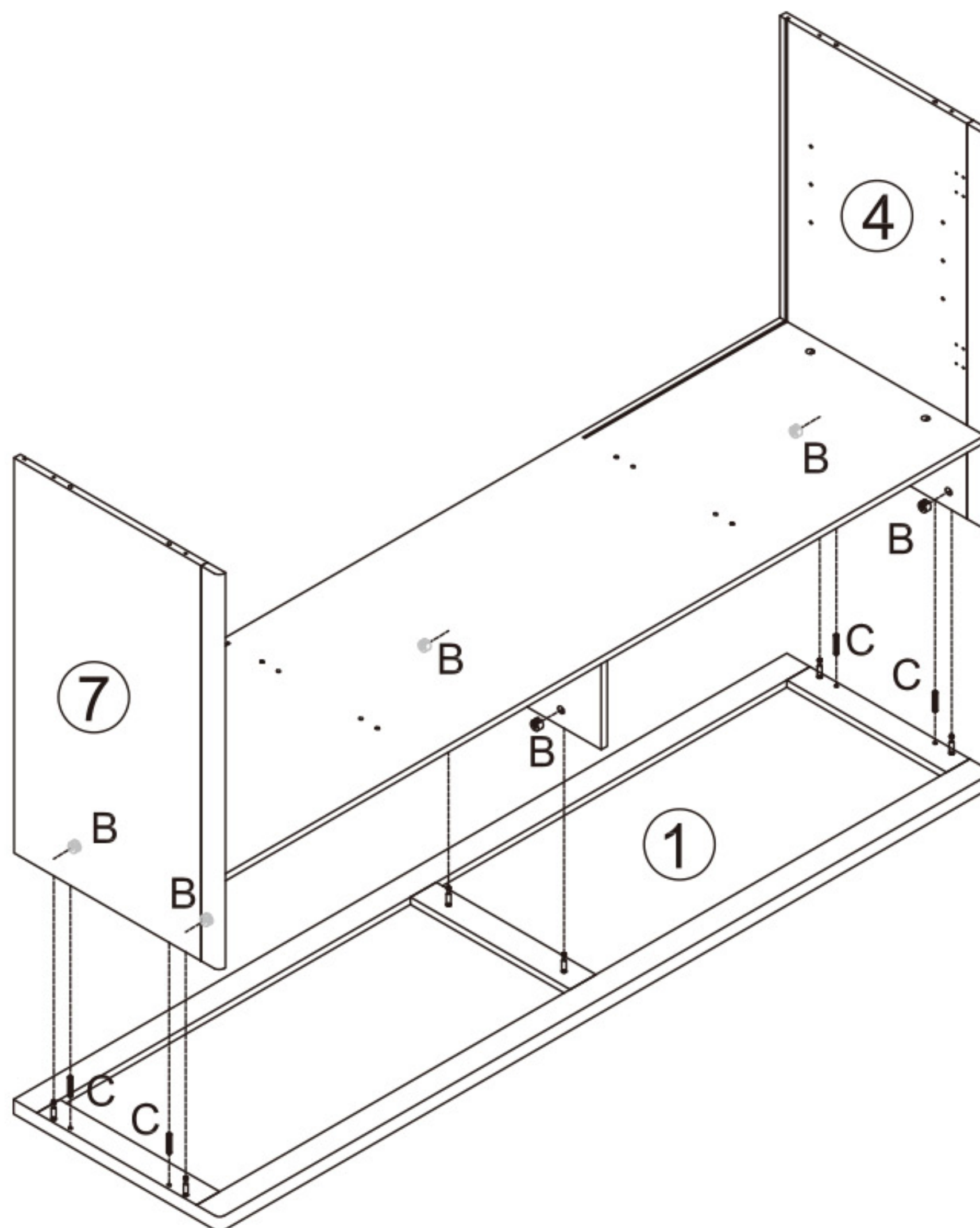


A



x6

8

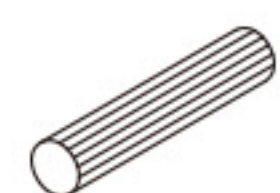


B



x6

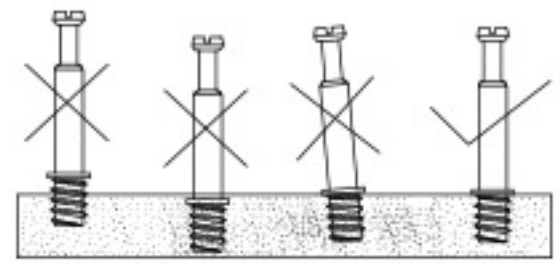
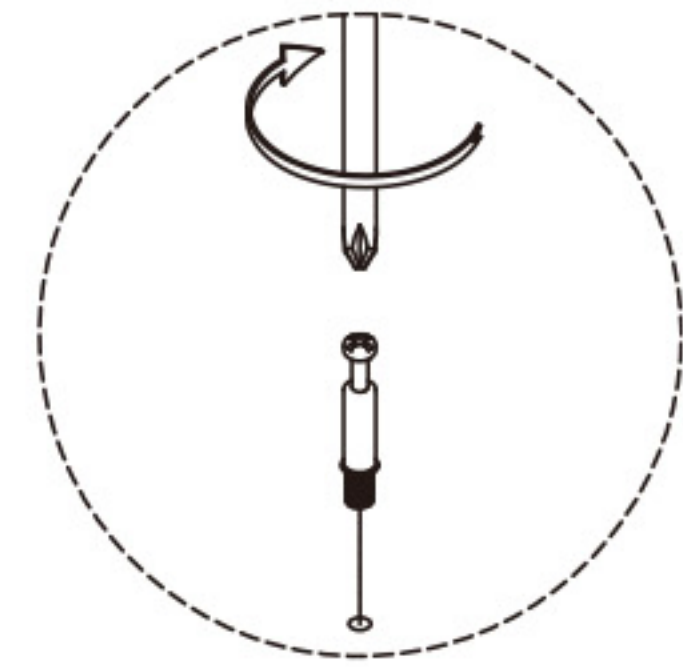
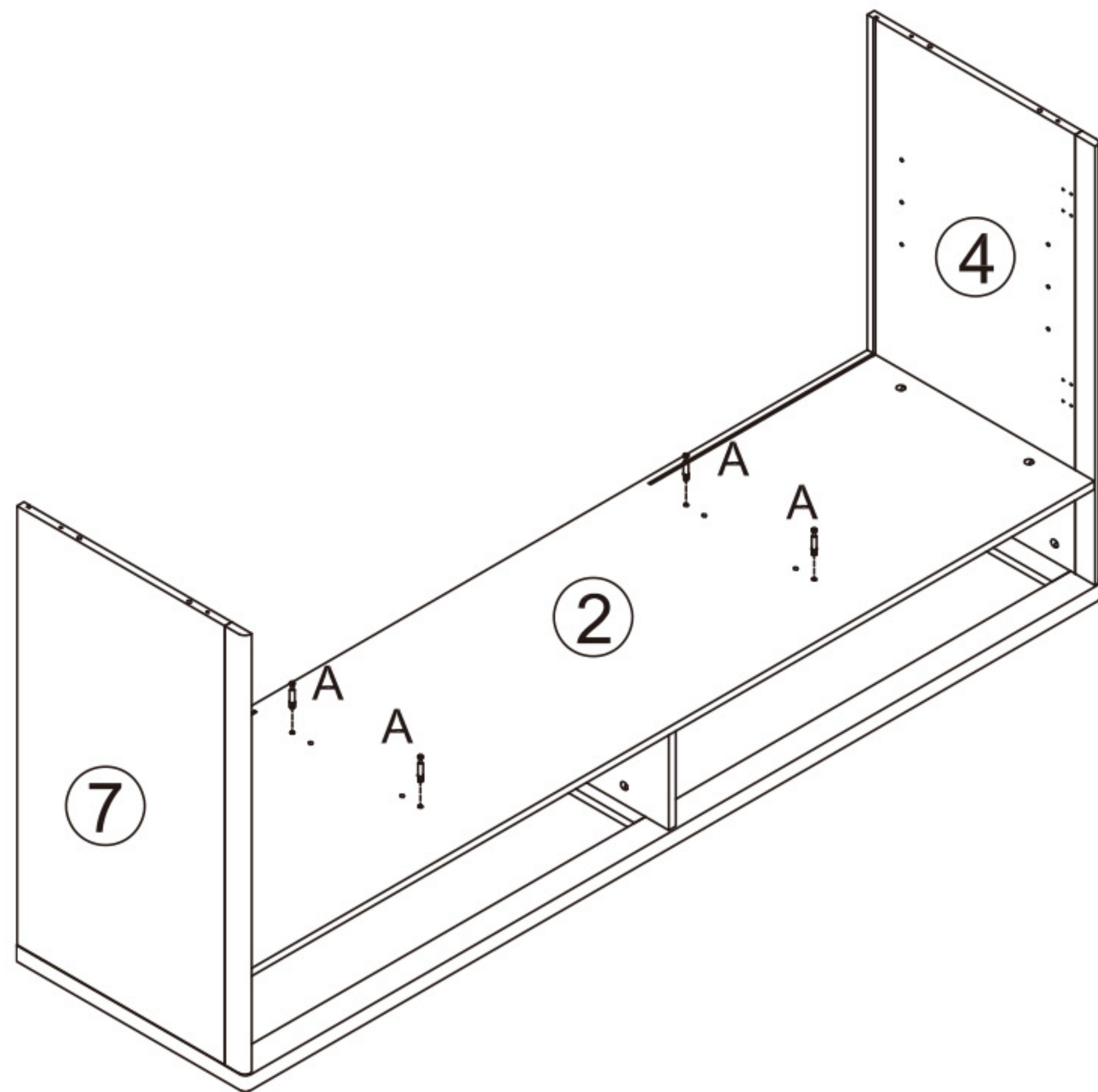
C



x4

Assembly Steps

9

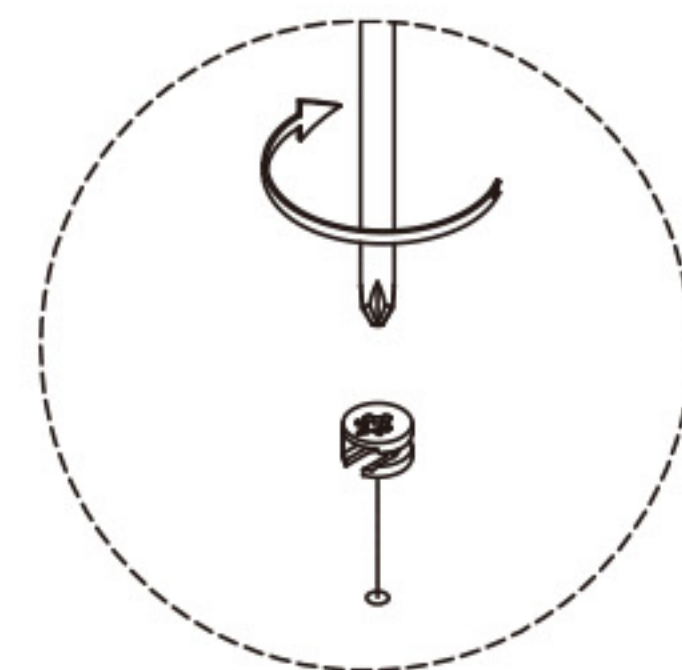
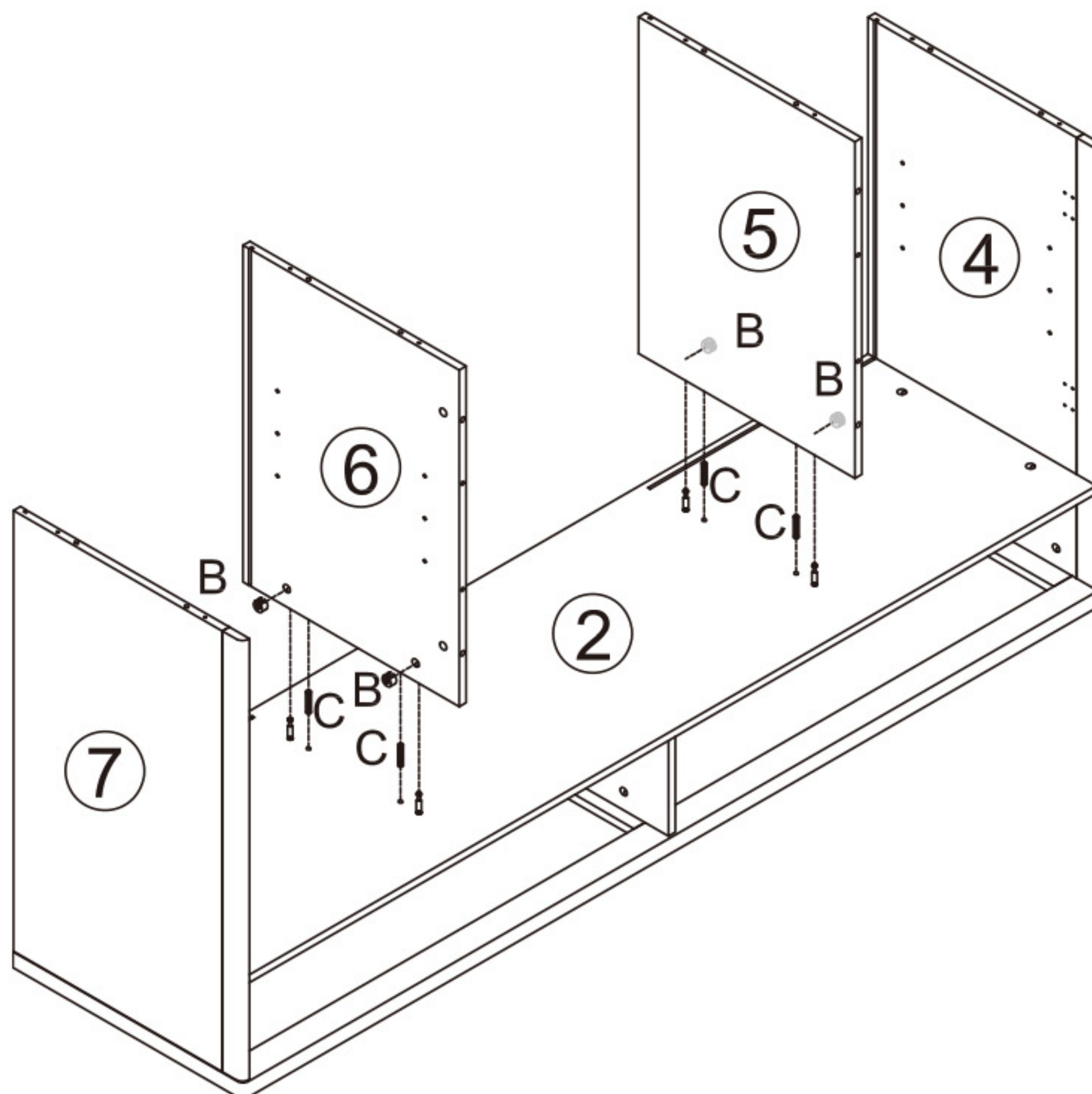


A



×4

10

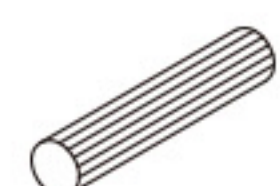


B

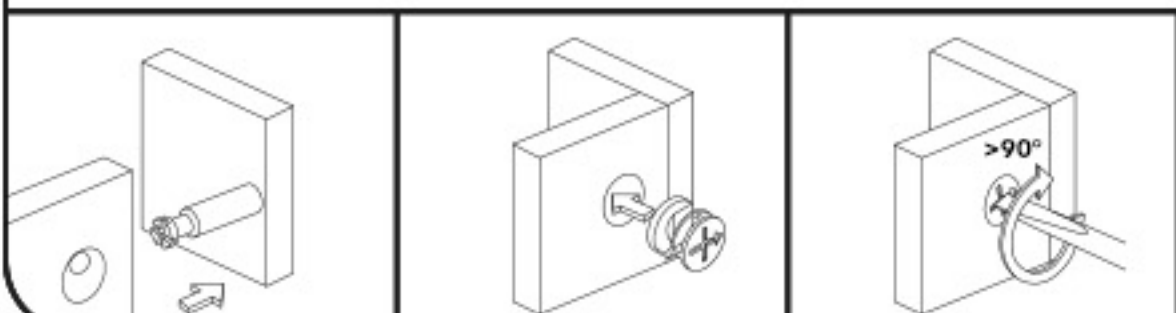


×4

C

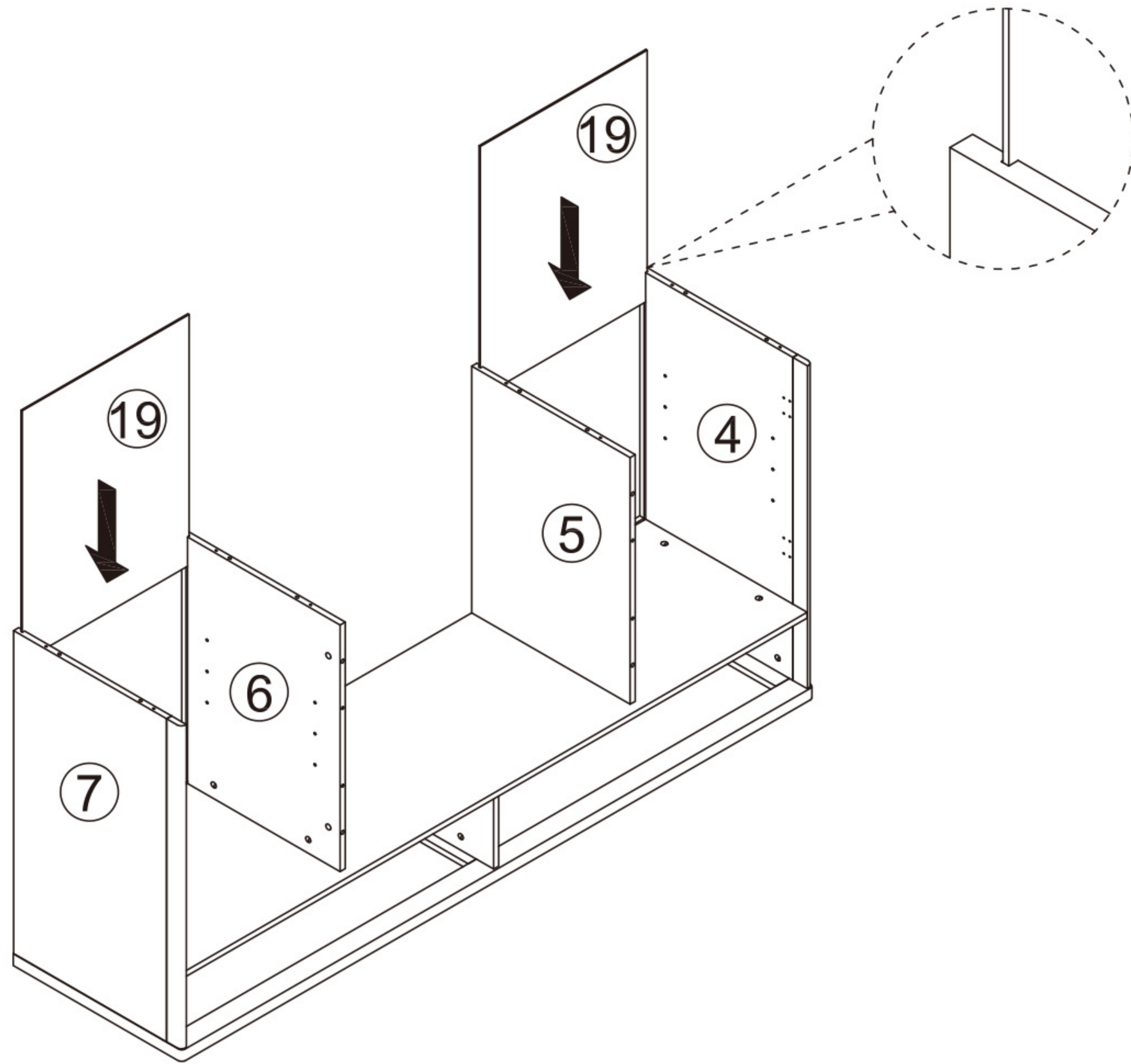


×4

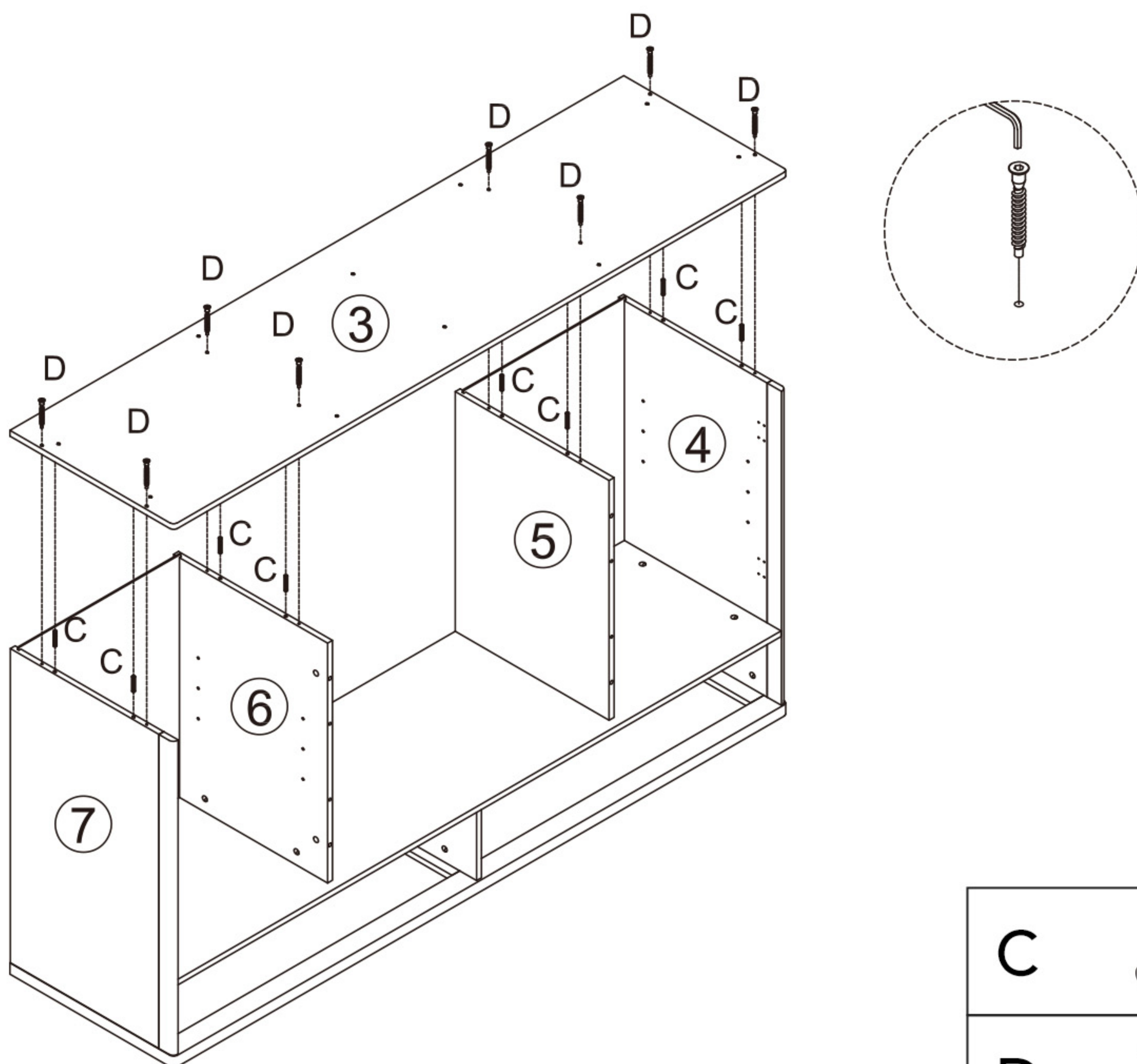


Assembly Steps

11



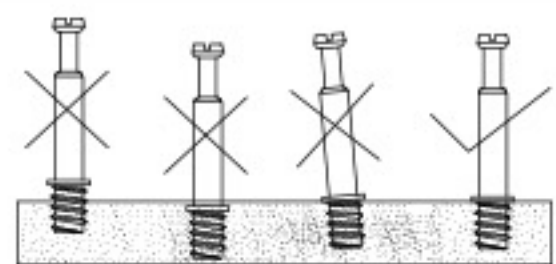
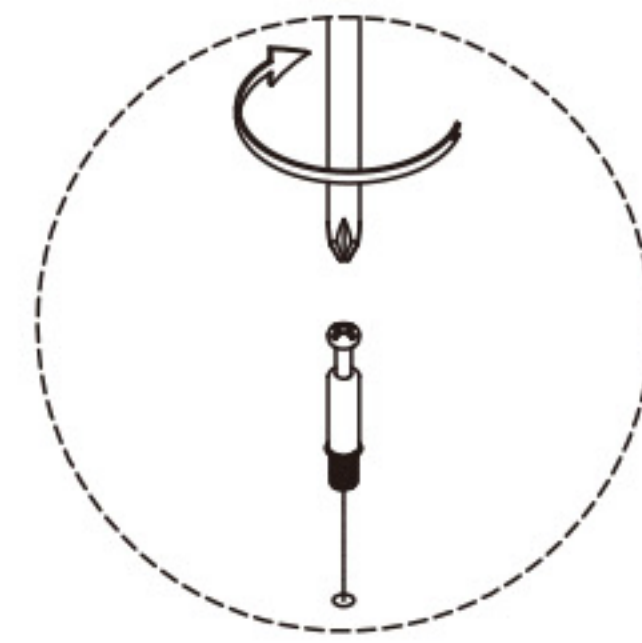
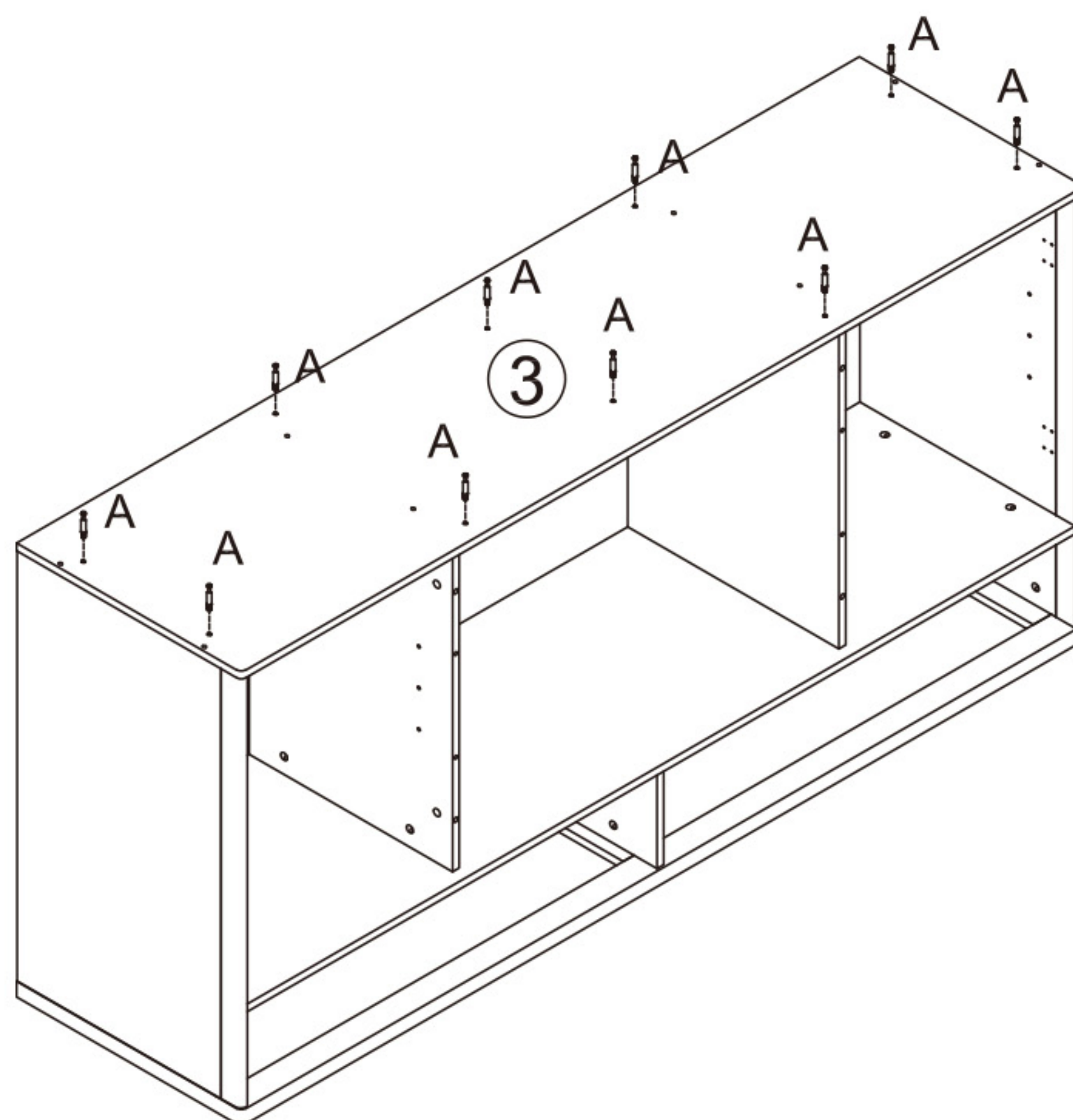
12



C		x8
D		x8

Assembly Steps

13



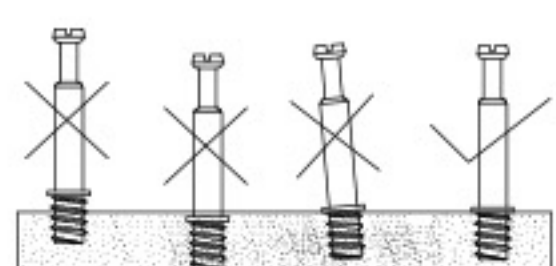
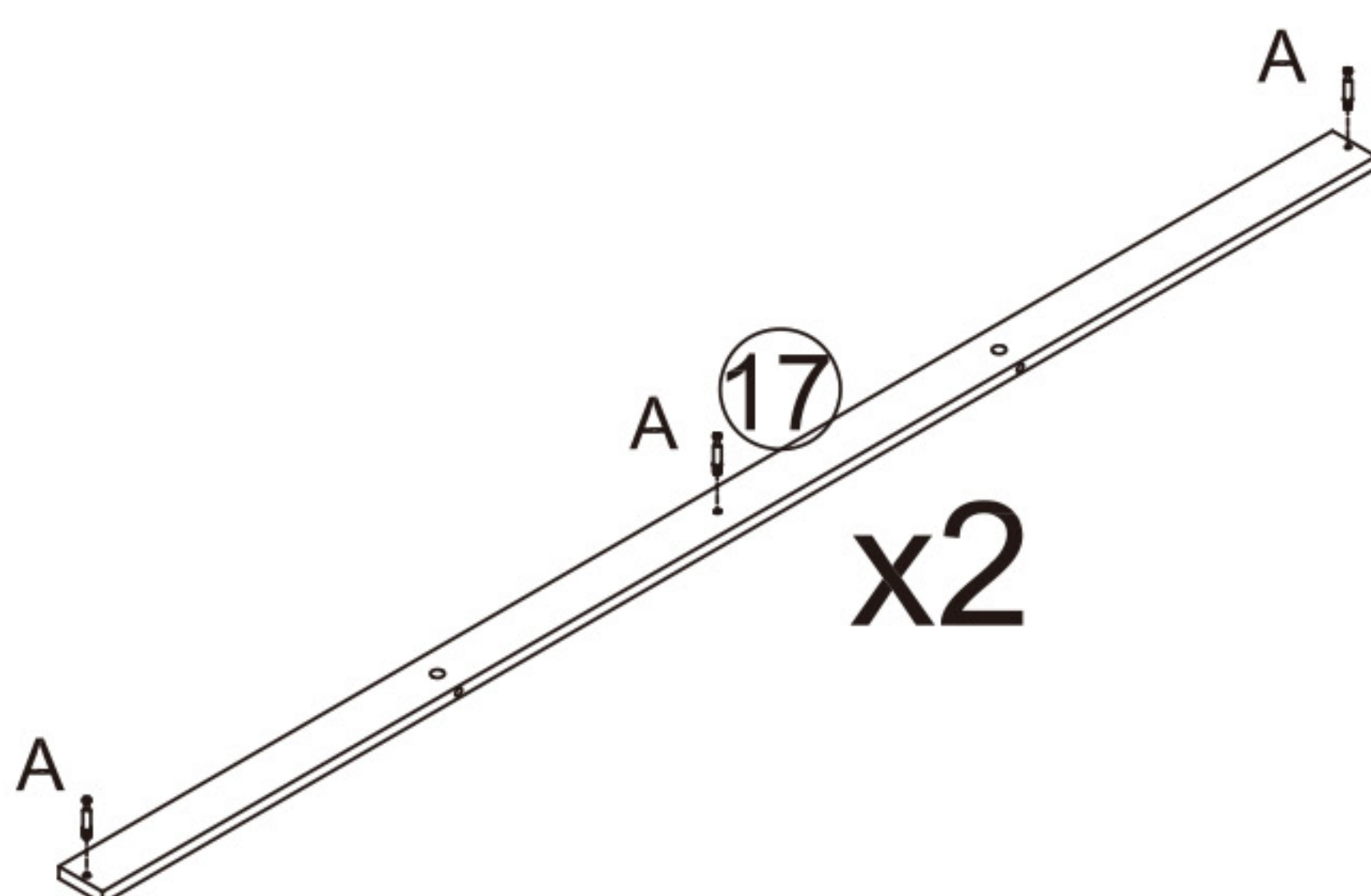
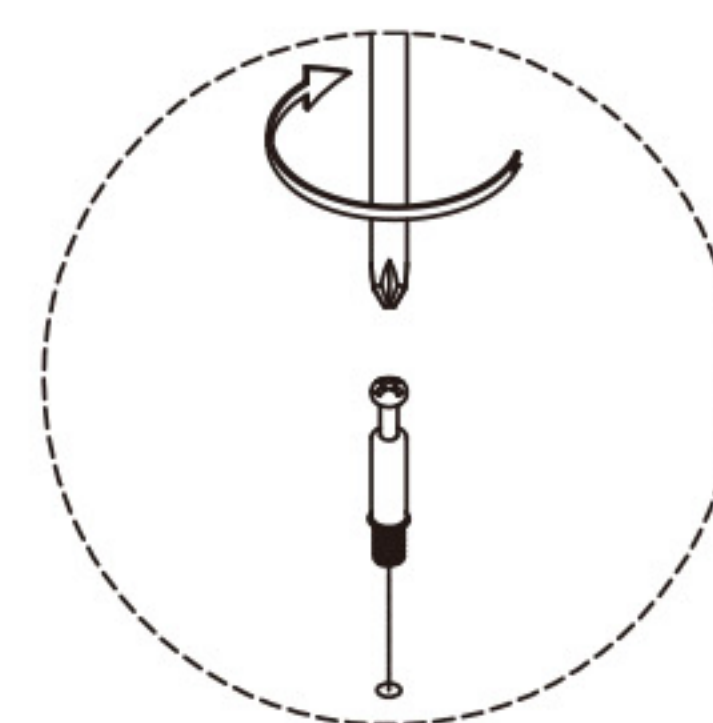
A



x10

14

The following steps need to be executed 2 times



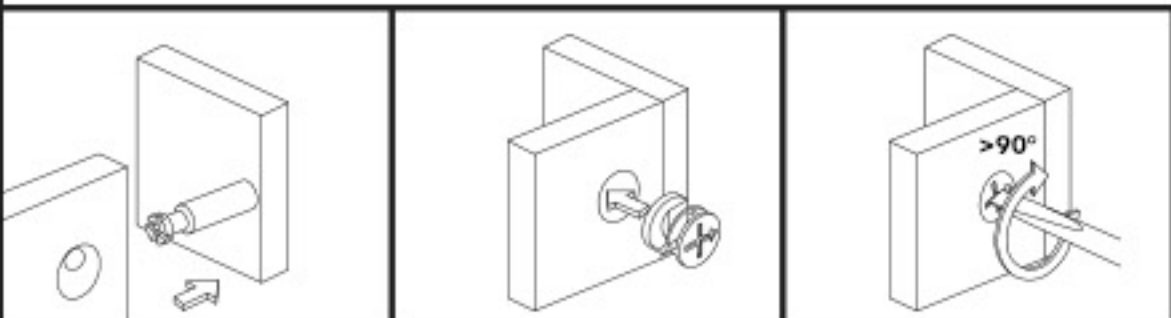
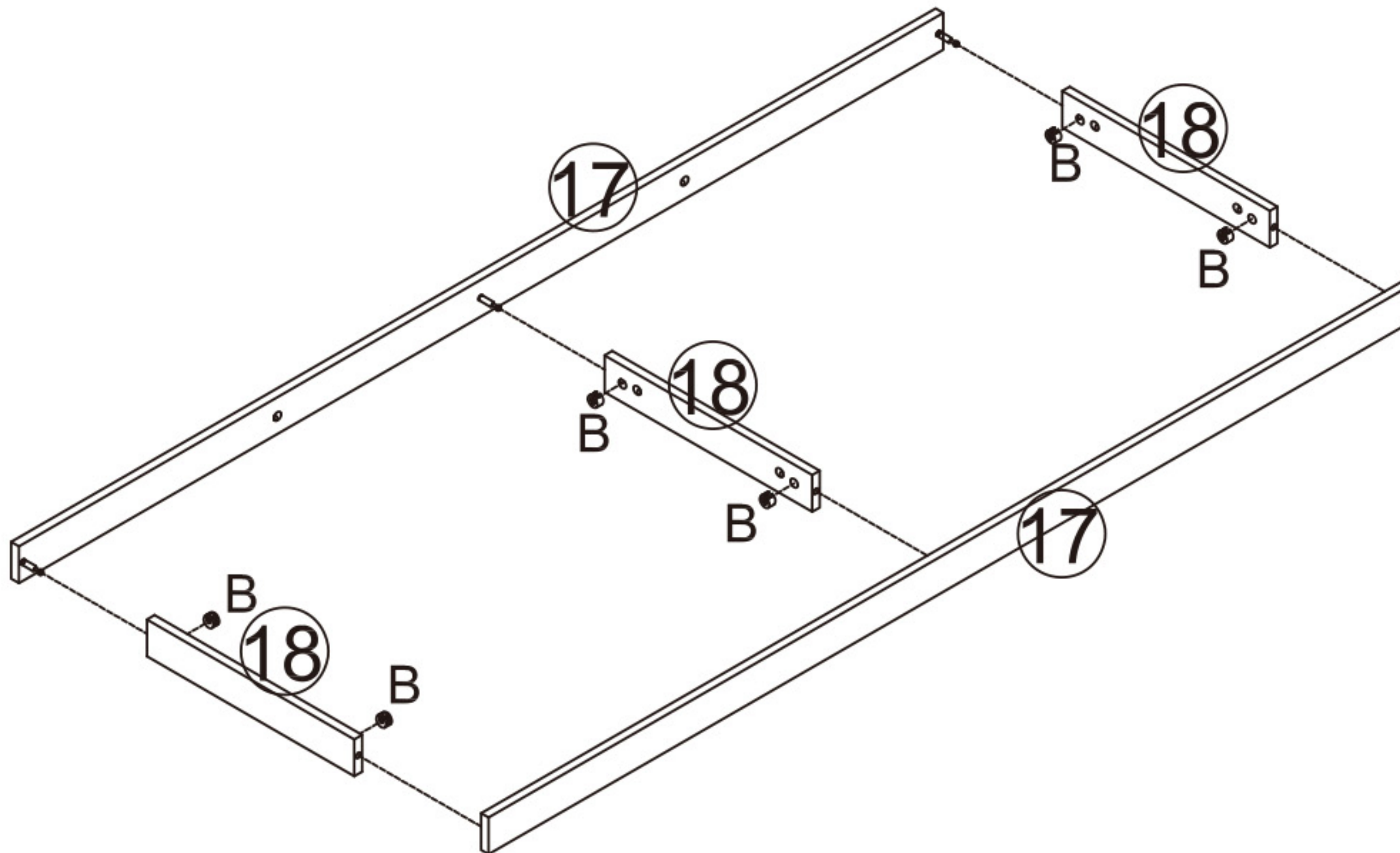
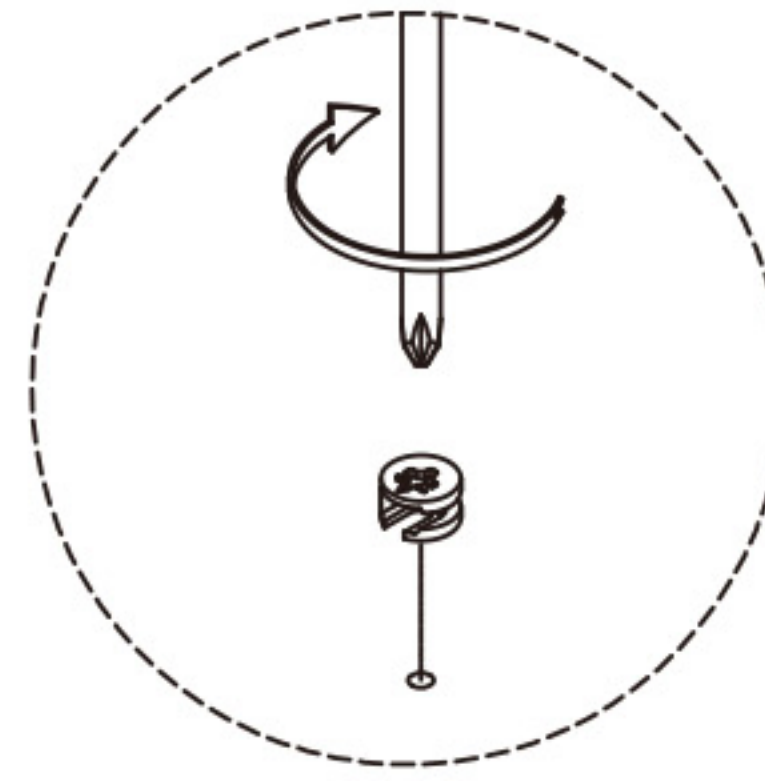
A



x6

Assembly Steps

15

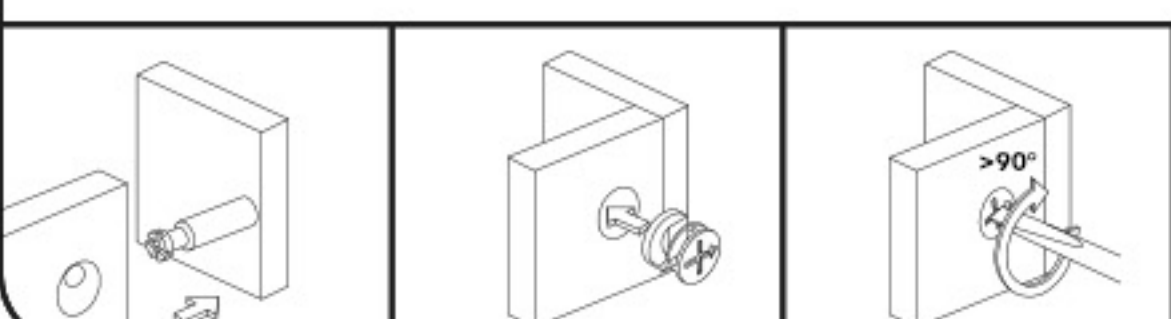
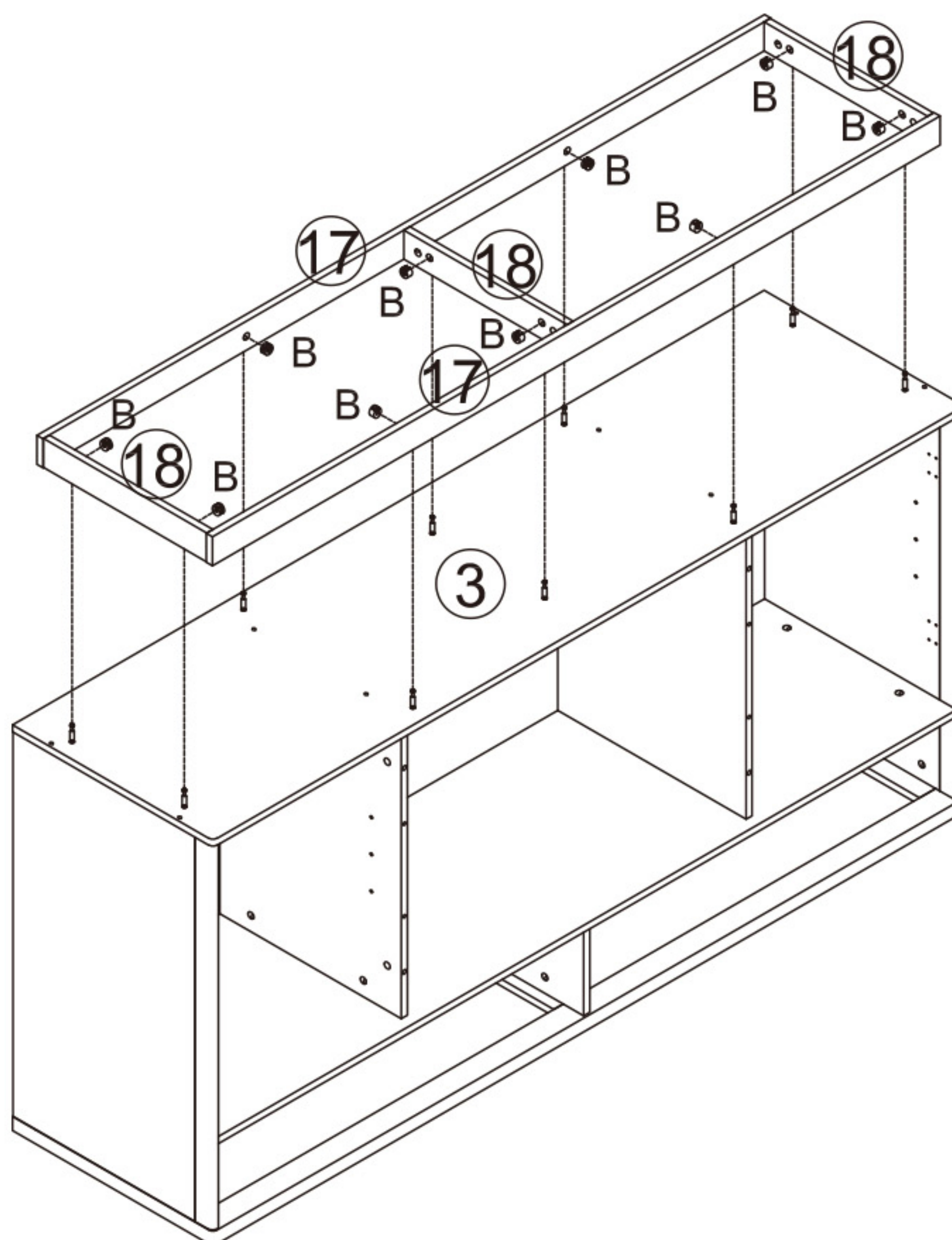
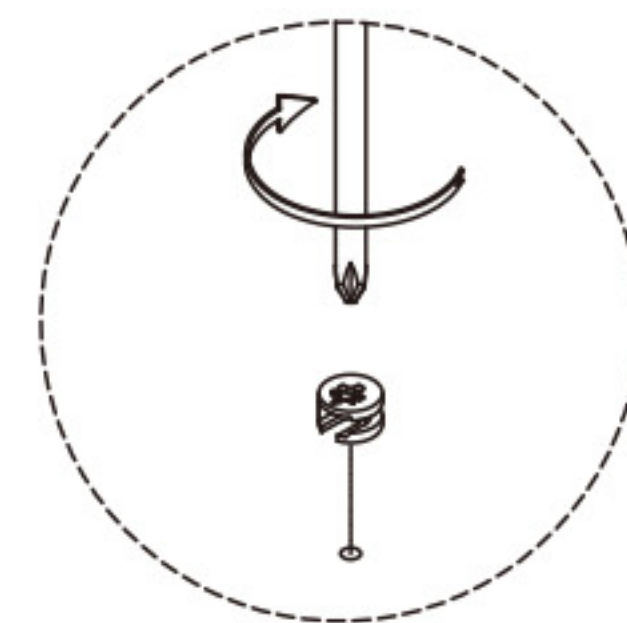


B



×6

16



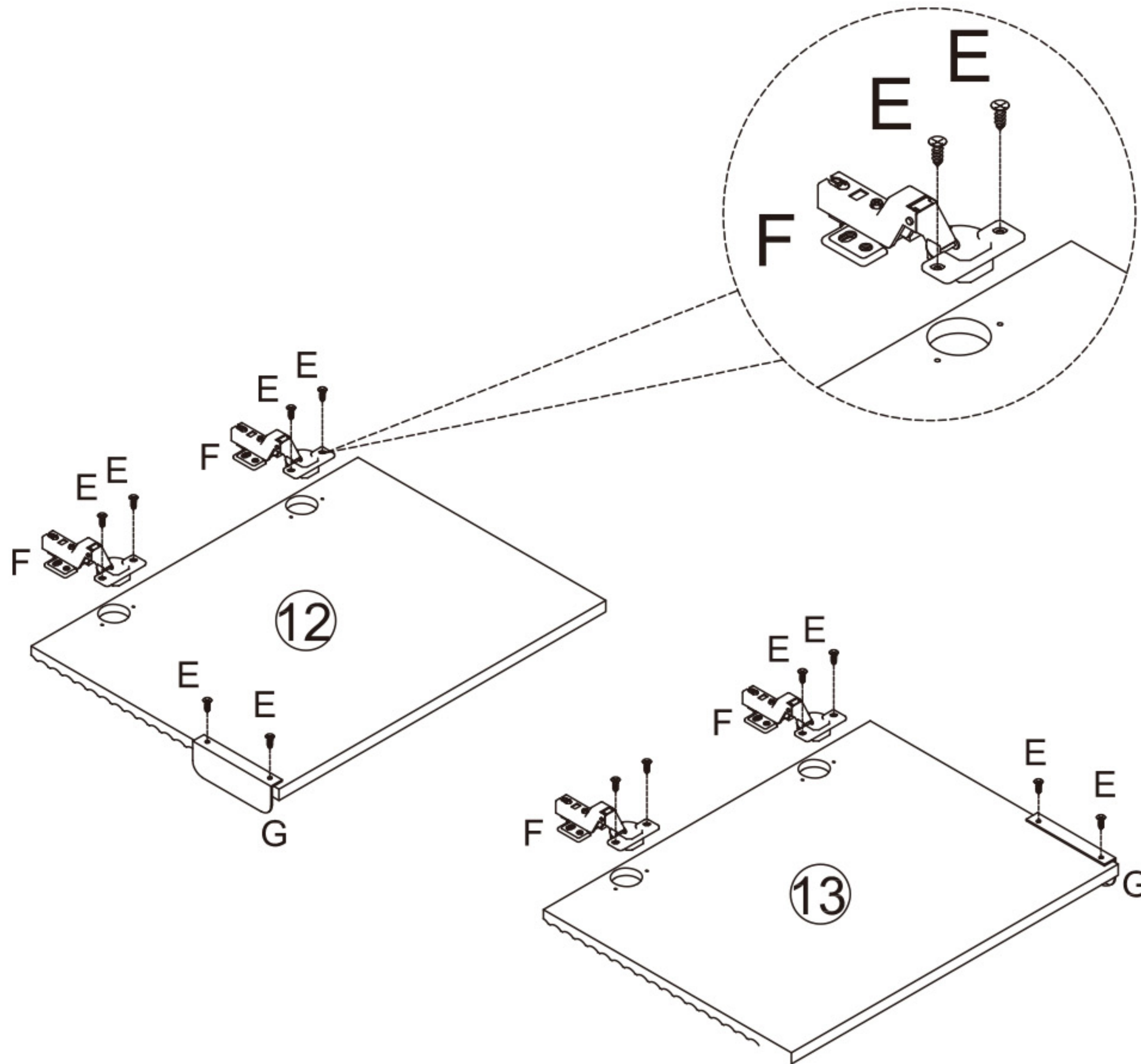
B


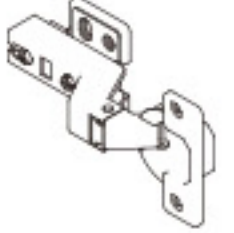



×10

Assembly Steps

17

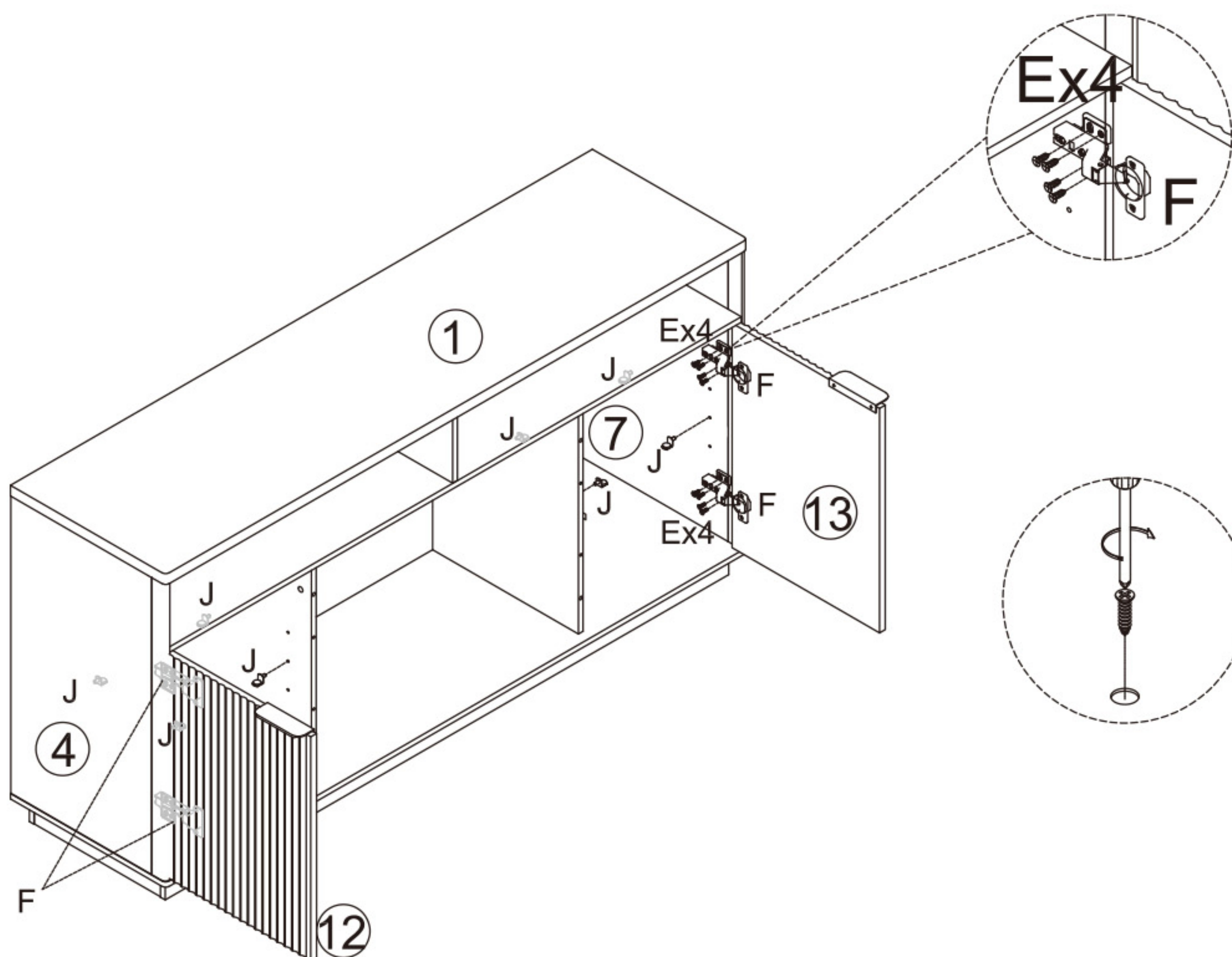




E		×12
F		×4
G		×2

18

NOTE:

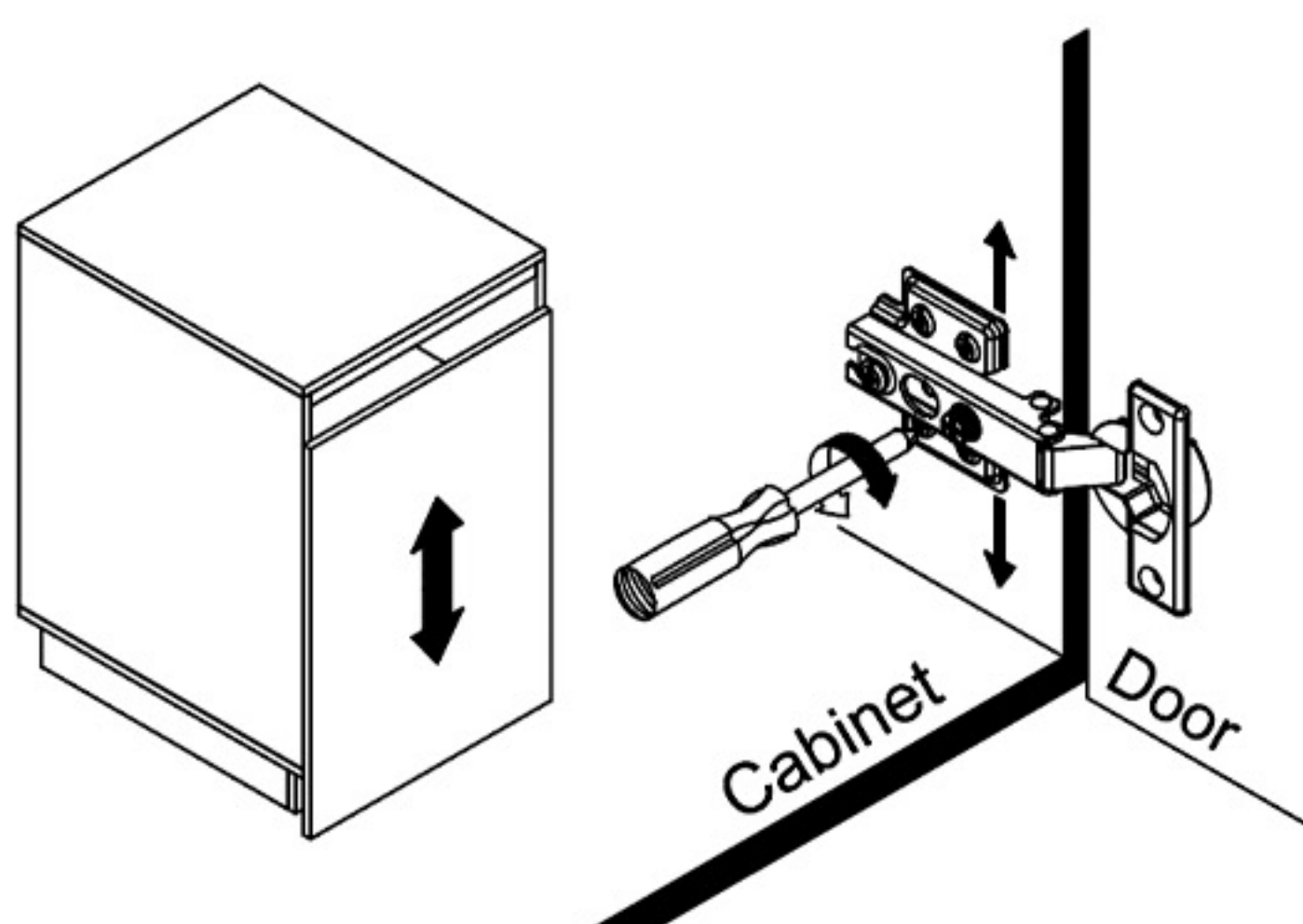
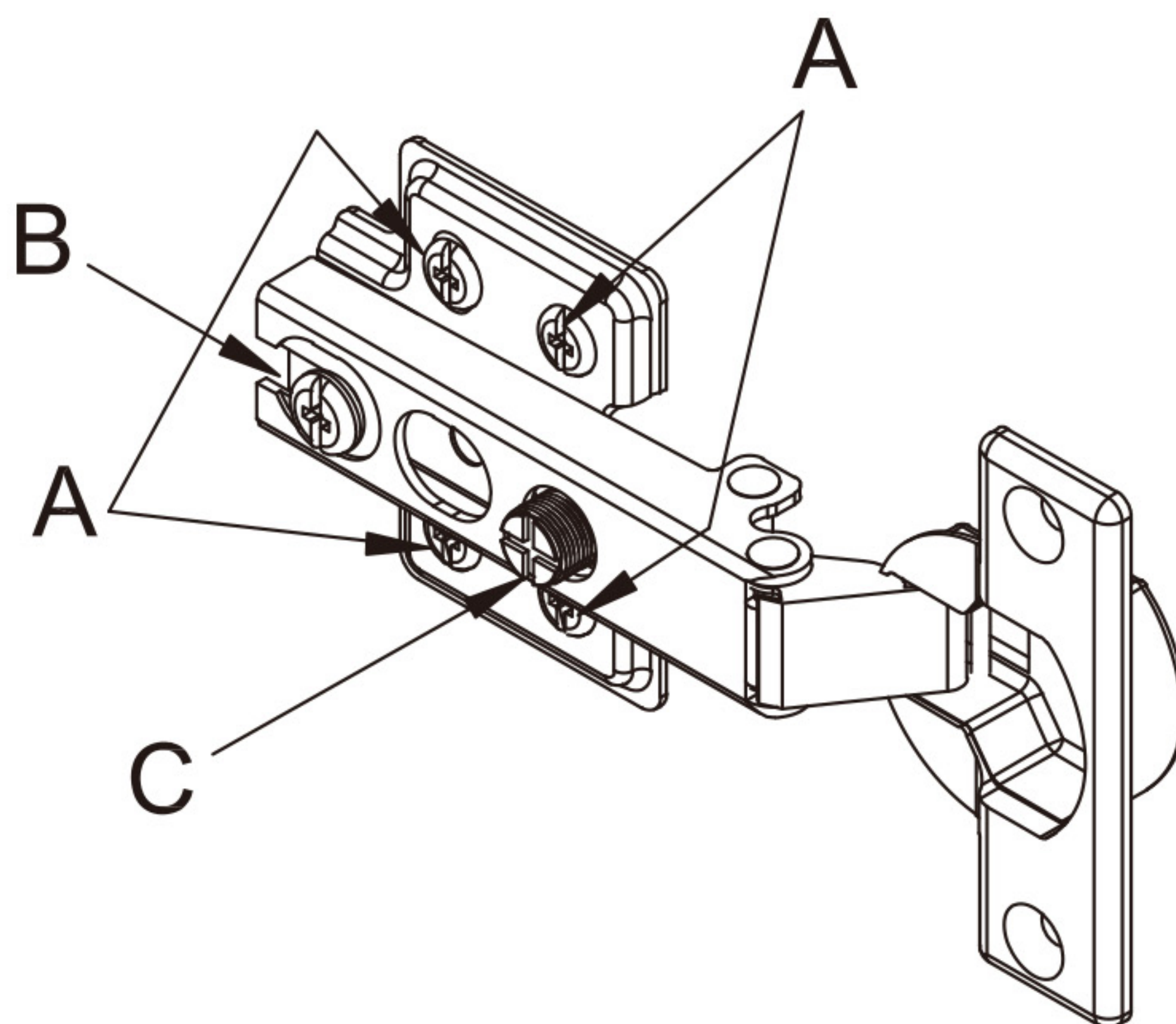
1. This step requires two people to install together. Before proceeding, double-check that panels 12 and 13 are positioned correctly as shown. Panels 12 and 13 must be installed in their designated locations as shown in the diagram. They are not interchangeable.



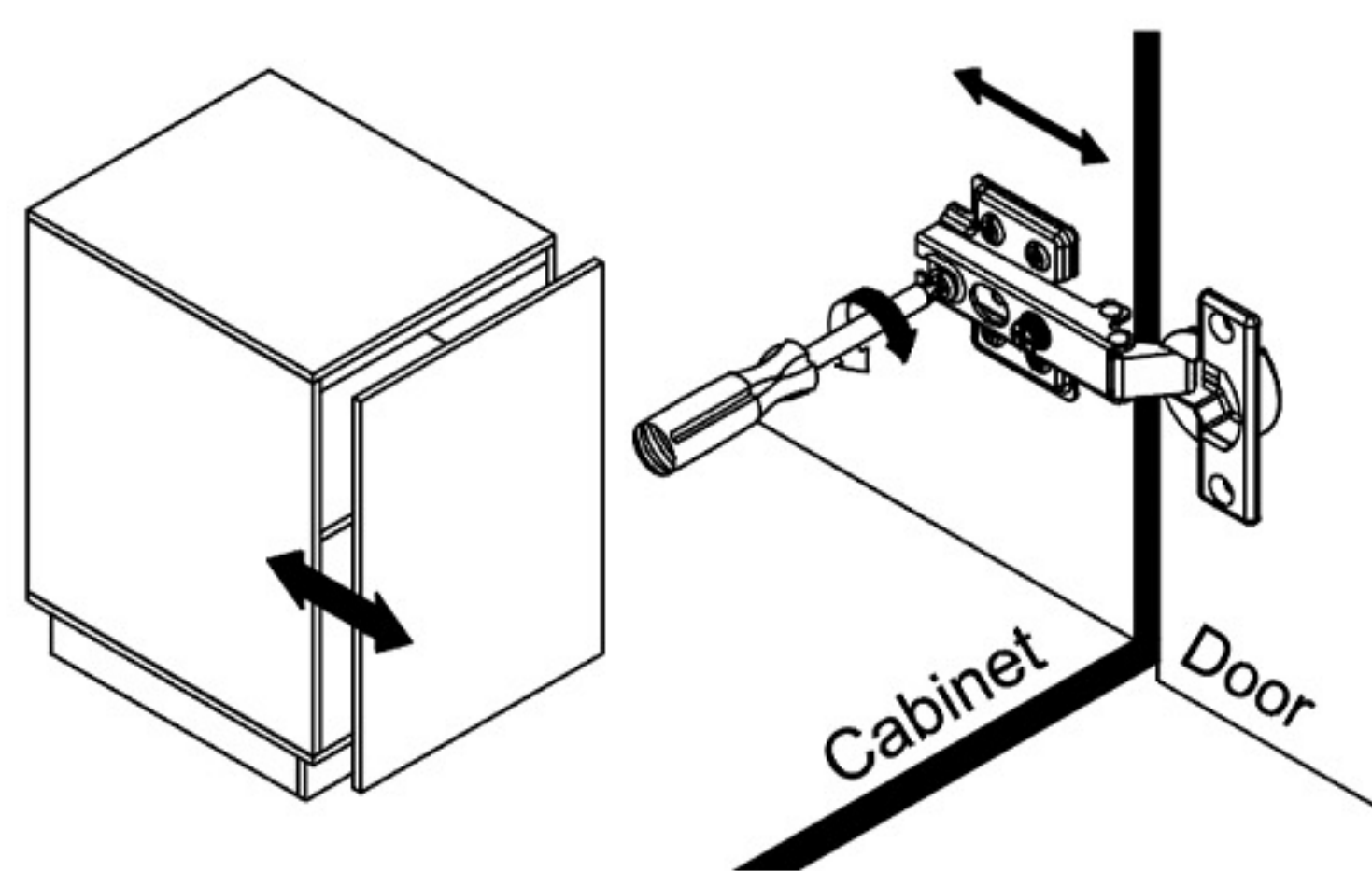
E		×16
J		×8

Assembly Steps

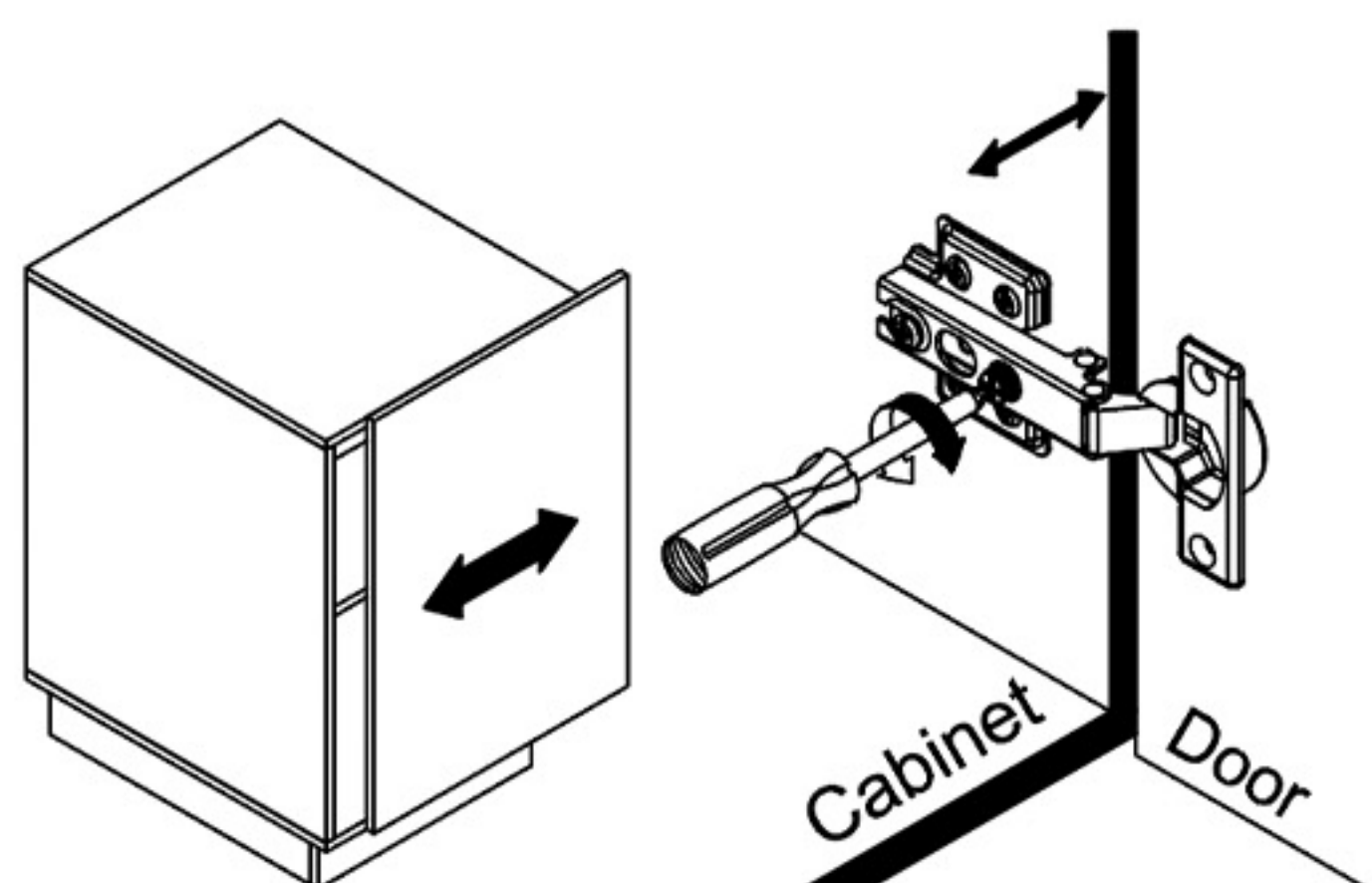
19



To adjust the vertical height.
Loosen the four screws "A" on both hinges.
Two of them are usually in slotted holes which
allows you to adjust up or down by a few mm.
Then tighten back up.



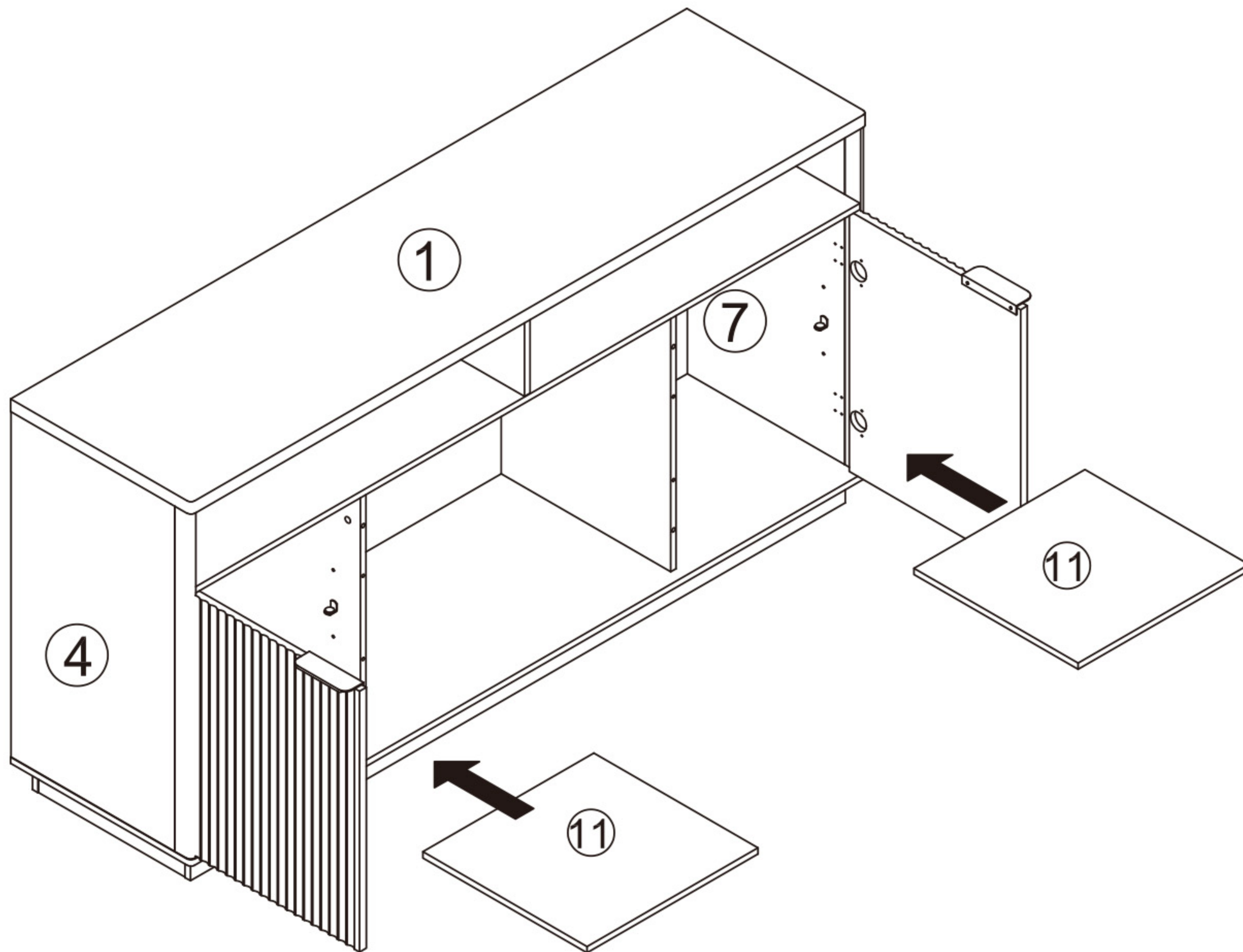
To adjust depth.
Loosen screw "B" and adjust door, if the door
cannot be adjusted, please loosen screw "C",
then try again.
Tighten screw "B" and "C"



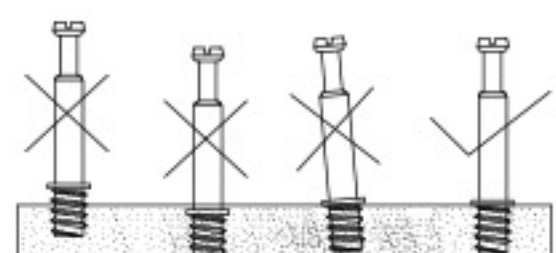
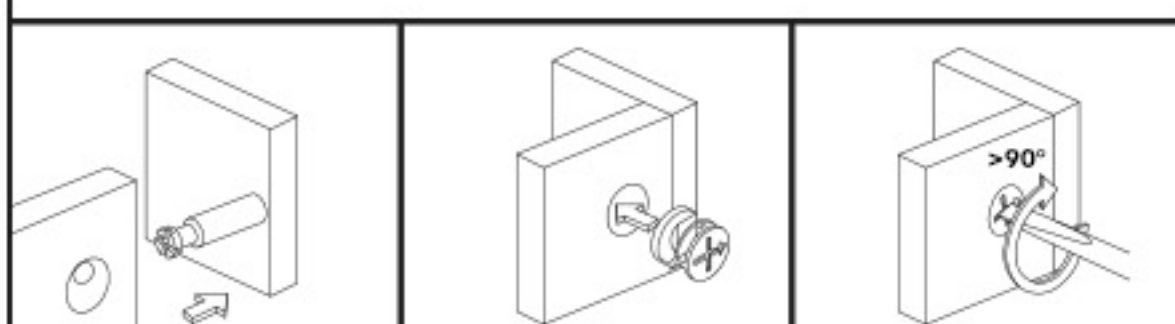
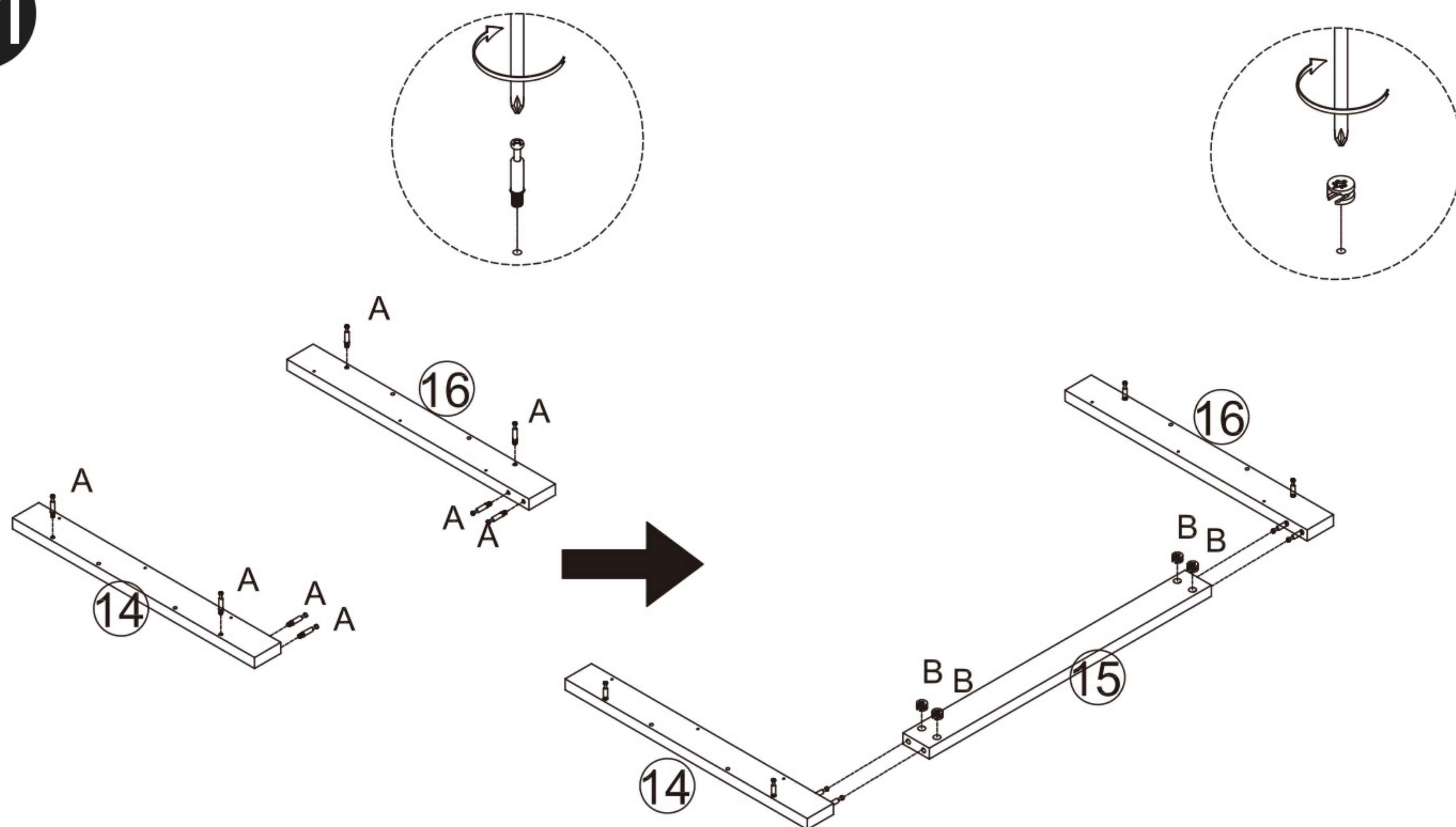
To adjust side ways.
Turning the screw "C" on BOTH hinges on each
door.

Assembly Steps

20



21

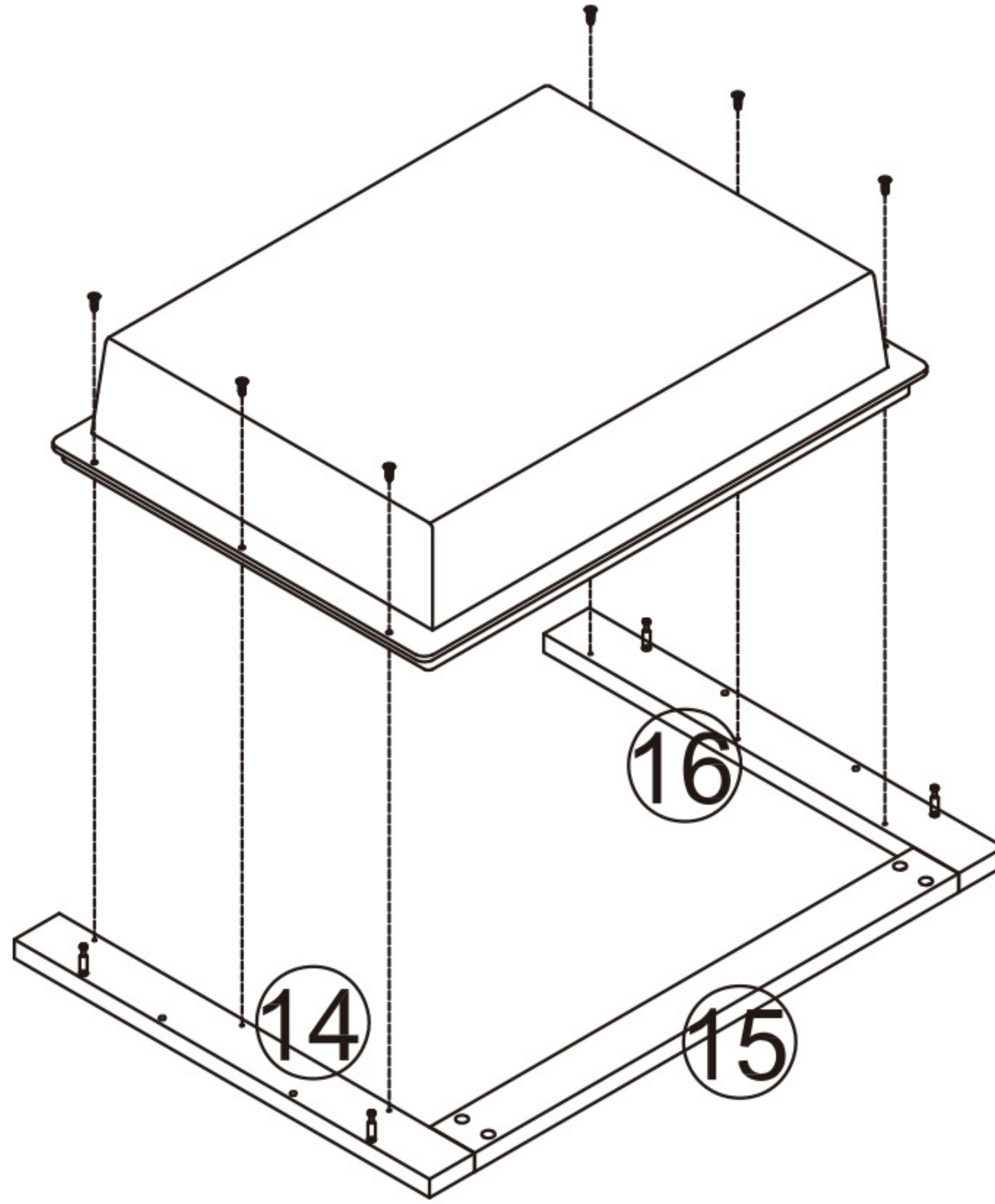


A  x8

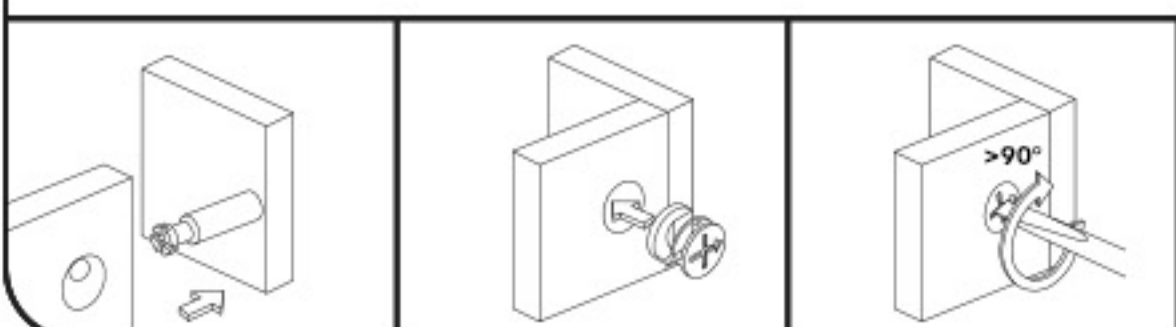
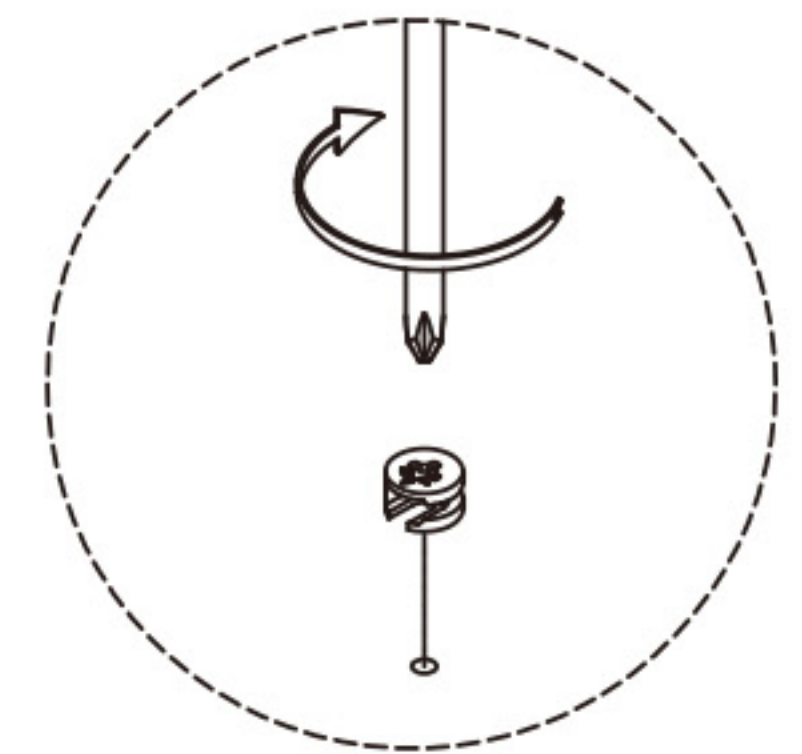
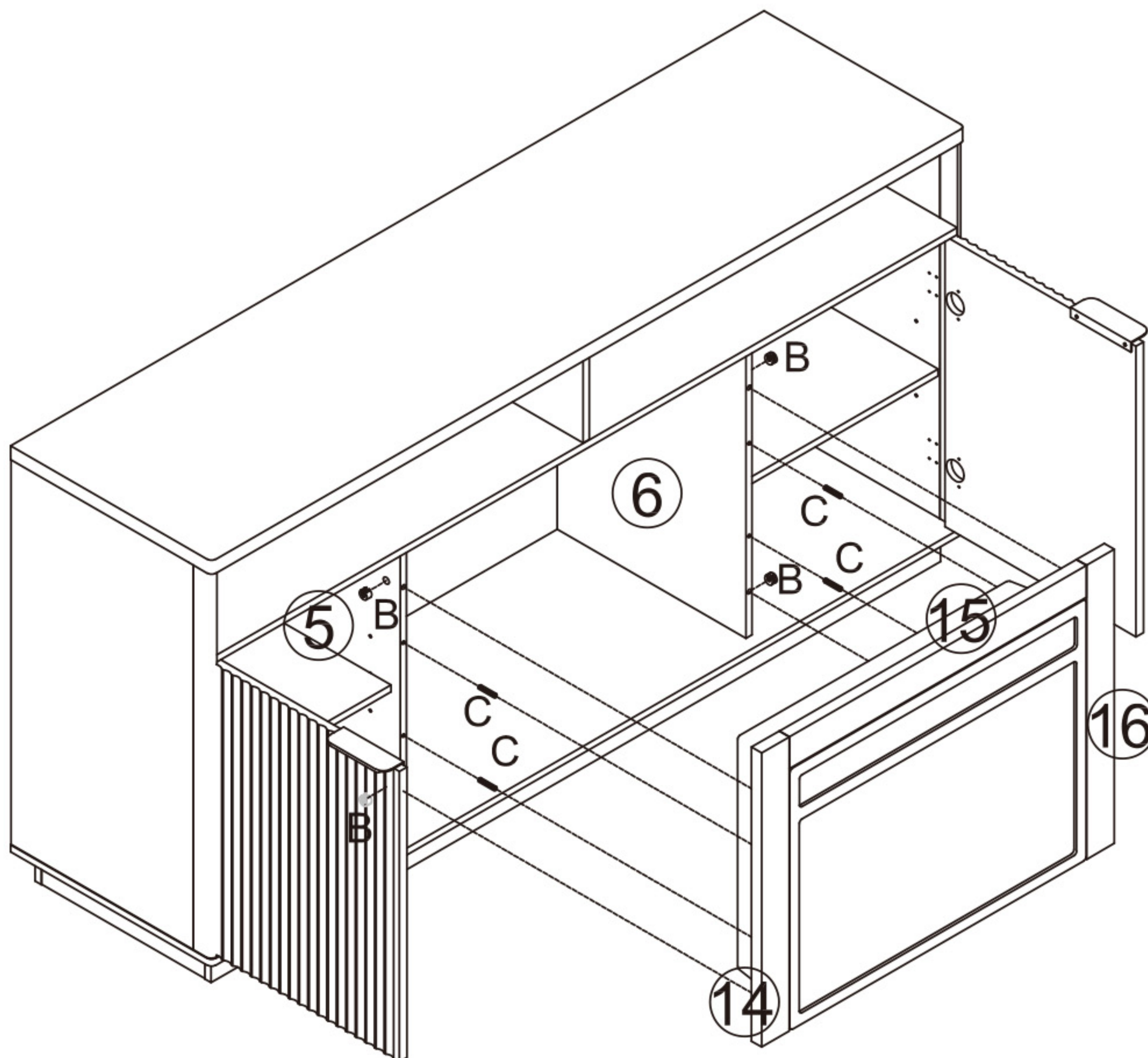
B  x4


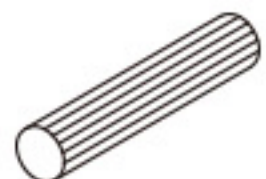
Assembly Steps

22 NOTE: Installation without a fireplace: proceed to Step 24. Installation with a fireplace: follow Steps 22 and 23.



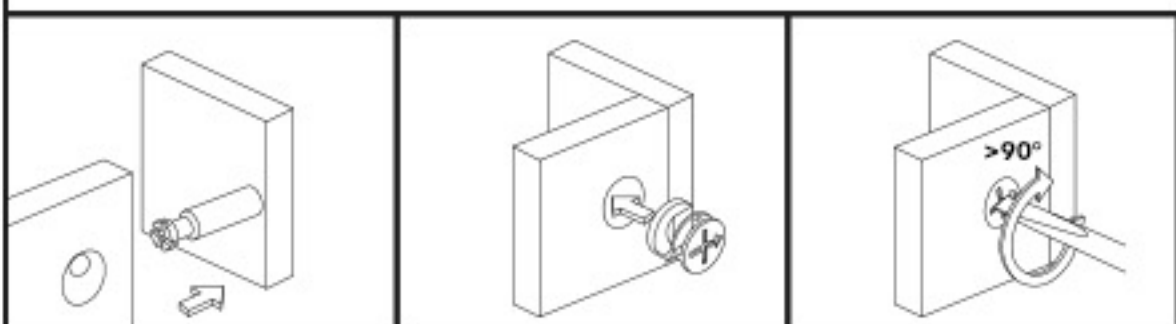
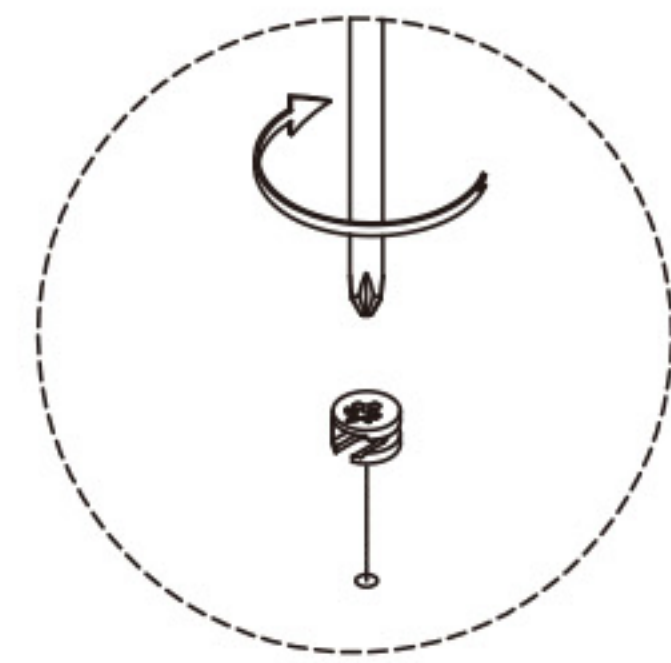
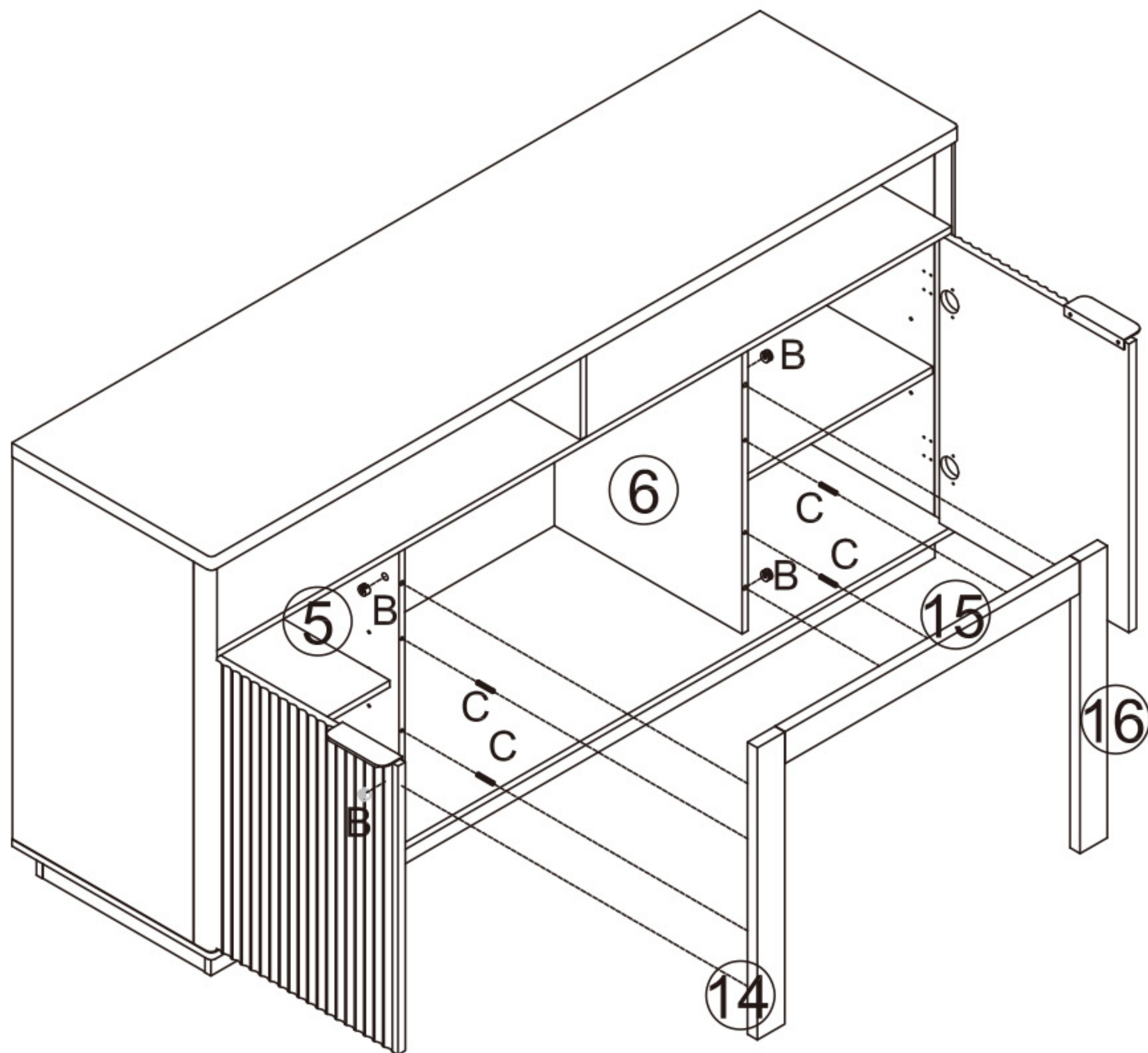
23


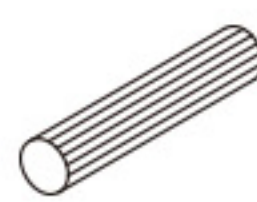


B		x4
C		x4

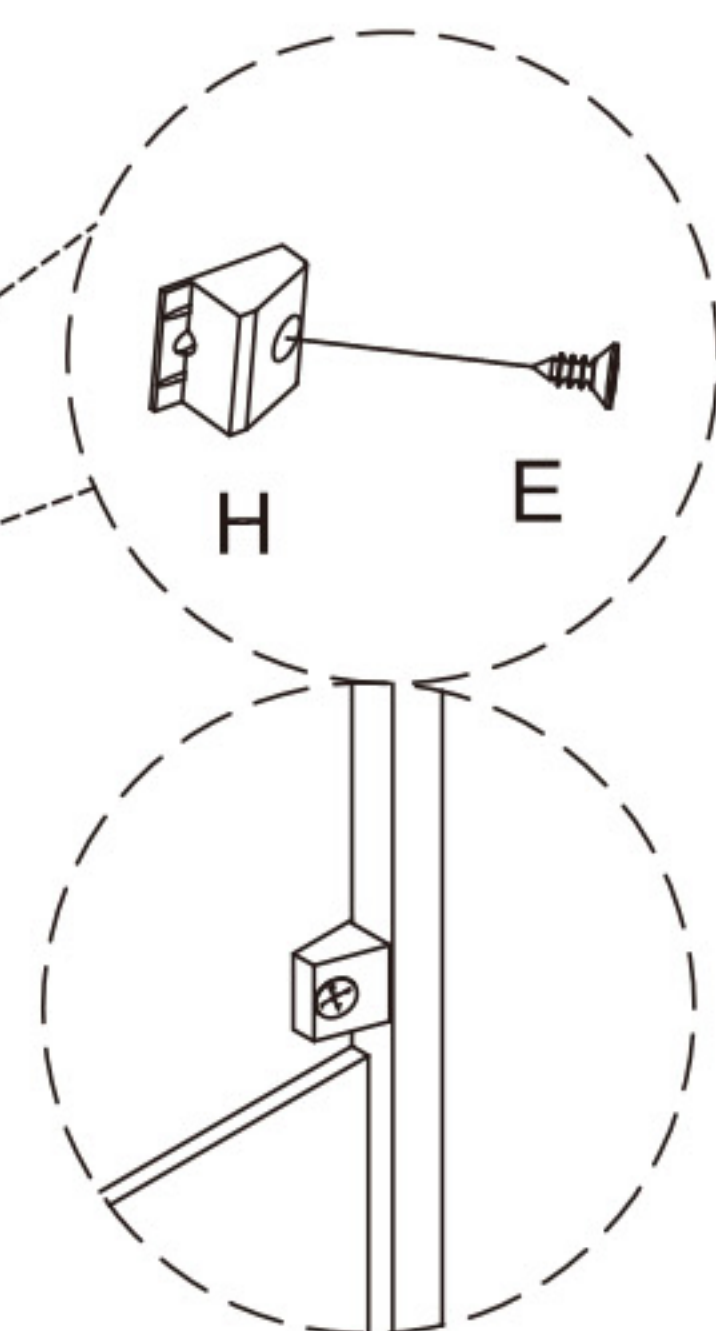
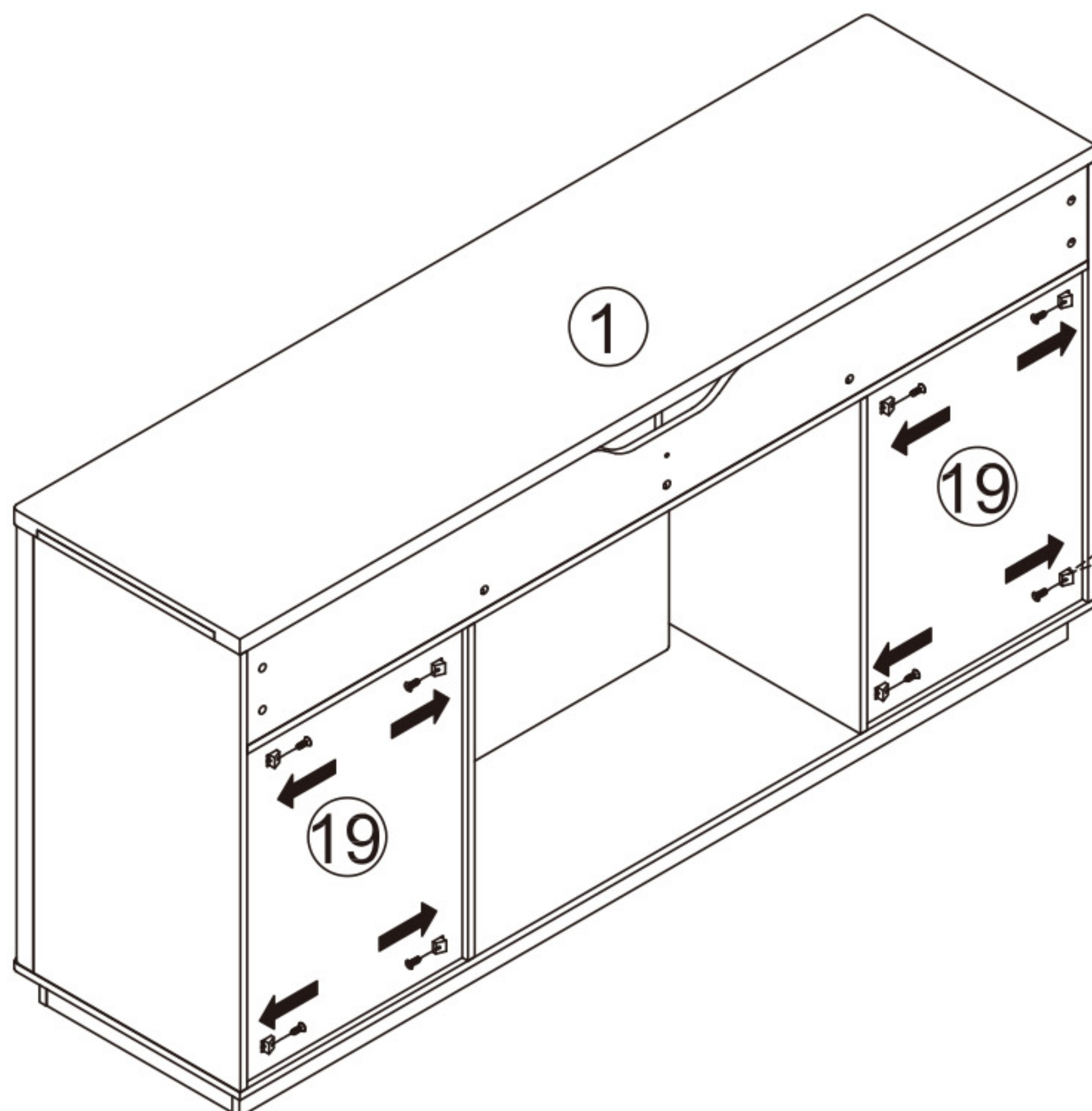
Assembly Steps



24



B		×4
C		×4

25

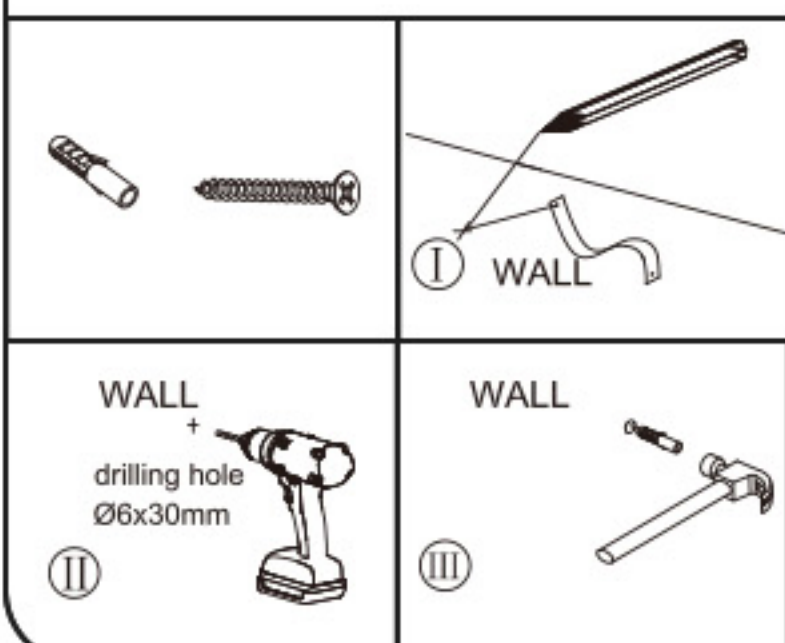
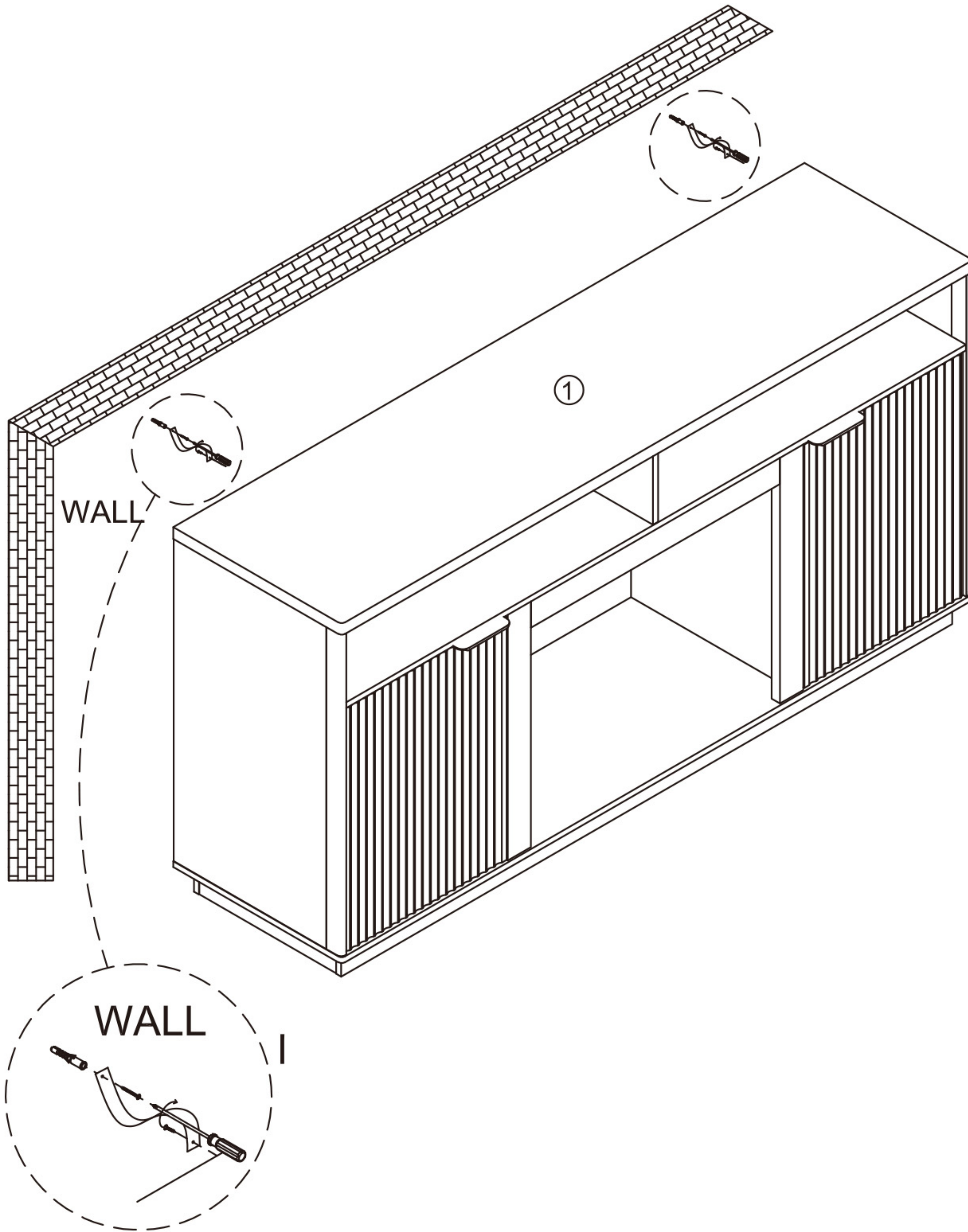


E		×8
H		×8

Assembly Steps

26

NOTE: For safety reasons, it is recommended to install safety wall strap to fix the item.



K



x2

For after-sales support

If you encounter any issues.

Please contact us in the following ways:

1. Contact us via our email: patiochicservice@outlook.com
 2. Contact us via our phone: [+1 888-572-2312](tel:+18885722312)
-

working time: Monday to Friday:

EST(Eastern Standard Time) 9am-12am, 1pm-6pm

3. Go to Your Orders ☒ Click "Contact Seller" to describe the issue.