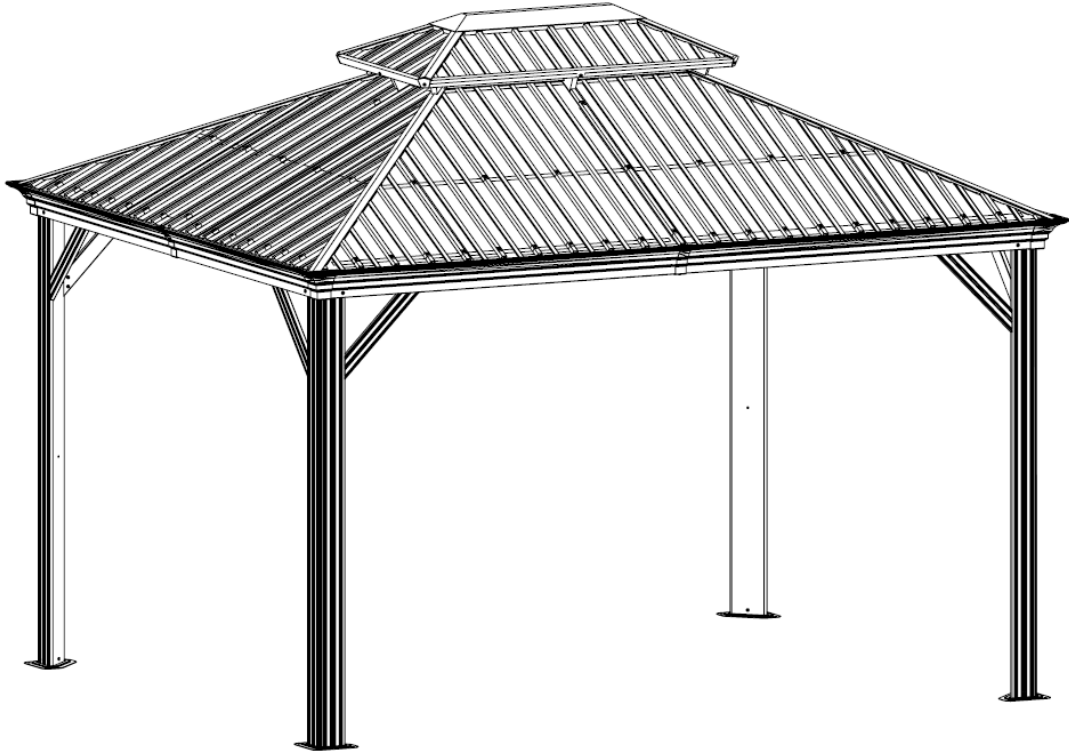


INSTRUCTION MANUAL



TUSCANY

10' X 14'

Model: LGMF9588



Notice

IMPORTANT: A gazebo may entail purchasing a municipal permit or be subject to specific building codes. It is the consumer's responsibility to inform themselves of any restrictions.

It is important to read and follow all safety information prior to assembly of the unit as well as during usage to reduce risk of injury and avoid damage to the product and its surroundings.

It is highly recommended to avoid installing and settling your gazebo in a corridor of heavy wind.

Follow all assembly instructions.

Operation

The gazebo is intended to be used as a shelter. Do not use this product for anything other than its intended use.

Your shelter has been designed to be enjoyed during all four seasons and will resist snow accumulations up to 2000 lbs (907 kg). For your comfort and safety, it is recommended not to use the gazebo during sub-zero temperatures.

WARNING: KEEP ALL FLAME AND HEAT SOURCES AWAY FROM ALL FABRICS.

Do not place any type of space heater, heat conductor, or exposed flame under or within 5 feet of the gazebo.

The fabrics meet the flammability requirements of the CPAI-84. The fabrics may burn if they are in continuous contact with a flame. Any foreign substance applied directly to the fabrics may weaken the flame-resistant properties.

Avoid using excessive force while opening or closing the mosquito netting. When tying the netting to the columns, be mindful not to make the Velcro tangle with the netting.

Do not suspend or hang from the structure any objects exceeding 15 lbs (6.8 kg).

Maintenance and Care

Check periodically that the gazebo is anchored properly to the floor or ground and that all bolts remain tight to maintain the solidity of the structure.

Remove any foreign objects from the roof in order to avoid damages.

Remove any snow accumulation on the roof at all times. Make sure there is no ice buildup anywhere on the main structure.

Remove all accessories during the winter.

To order replacement parts refer to the *model #* of the unit as well as *part #* in the parts list.

Cleaning

Use only non-abrasive domestic soap or detergent and wash periodically with warm water using a soft sponge or fabric. Rinse with clean water.

Do not put accessories in a washing machine or dryer.

Warranty

NOTICE: *The purchaser of this product has 30 days from the date of purchase or delivery date to verify their merchandise. Shipping fees are included for any missing parts or parts showing manufacturer defects. Damaged parts will not be covered by the warranty after the 30-day period.*

Do not assemble your gazebo if parts are damaged. Contact your retailer or Forum Outdoor Living immediately.

Proof of purchase is necessary at all times. This warranty is not transferable.

Important: This product is not a permanent structure. The gazebo can be left out during all seasons however snow accumulation must be removed at all times. It is possible to experience water infiltration during heavy precipitation. This warranty is based on normal use of the product.

This product is guaranteed against defective materials from the factory including;

- Three (3) years on the frame against discoloration
- Three (3) years on the roof panels against rust and discoloration
- Limited warranty applicable on parts only (contact your retailer)

What is not covered

- Damages caused by abuse, misuse, or vandalism
- Damages due to extreme weather conditions such as, but not limited to; rainstorms, hailstorms, windstorms, snow storms, etc..
- Water infiltration and holes in the roof panels
- Damages due to the product not installed on a level ground or anchored with appropriate screws.
- Damages caused by hanging or suspending objects heavier than 15 lbs (6.8 kg).

Important: *If at any time you require assistance regarding the warranty of your gazebo contact Forum Outdoor Living customer service at 1-833-275-5298 or by email at service@forum-ol.com. Any issues caused by not following the Operation, Maintenance and Care, Cleaning, Pre-Assemble/Planning Installation, and Safety will result in the warranty being voided.*

Pre-Assembly

Planning installation and safety

Keep this User Guide and Parts List for future reference.

Make sure that the boxes contain all the parts prior to assembly.

Follow all assembly instructions for proper construction.

In order to avoid damages to the shelter and its components, place all parts on a soft surface and use appropriate tools during assembly.

Do not assemble the gazebo during periods of heavy wind or rain.

It is highly recommended to avoid installing your gazebo in a corridor of heavy wind.

You must schedule enough time to complete the assembly. For safety issues, you must not leave the unit unattended if it is not fully assembled. The assembly will take approximately 4 to 5 hours.

A minimum of 2 people are required to assemble the gazebo

This unit must be assembled on a level platform (wood deck, stone tile or concrete) and must be anchored using appropriate screws for that flooring.

Be sure to keep all children and pets away from assembly area.

To avoid damages, the gazebo should be assembled no less than 5 feet from any fixed obstruction.

During assembly, do not use the structure as a support. Use a stepladder when necessary.

Some parts contain sharp edges. Wear protective gloves when handling these parts. It is also recommended to wear protective goggles (safety glasses) and closed shoes.

It is recommended to tighten all bolts and screws once a step is completed.

If at any time you require assistance to assemble your gazebo contact your retailer.

TOOLS AND EQUIPMENT REQUIRED (NOT INCLUDED IN BOXES)

*Note: Tools and equipment are not shown to actual size and scale



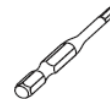
RUBBER Mallet



PHILLIPS SCREW DRIVER



DRILL



5/32" BIT



7/32" BIT



SAFETY HAT



GLOVES







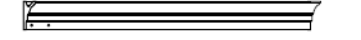
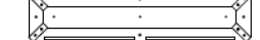















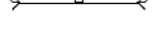
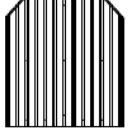
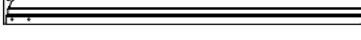

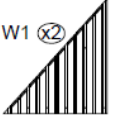
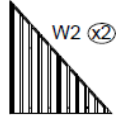


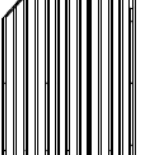





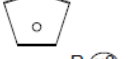
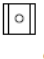
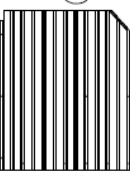

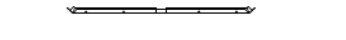



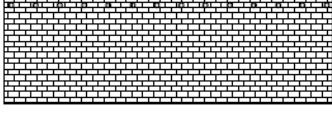
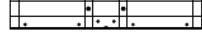

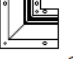

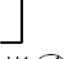

SAFETY GOGGLES

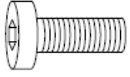
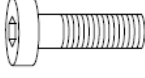
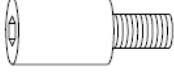

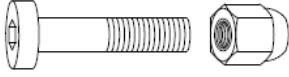
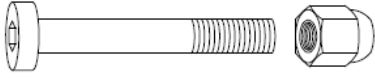
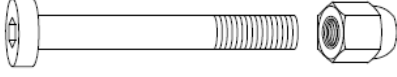


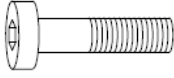
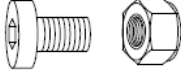
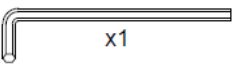
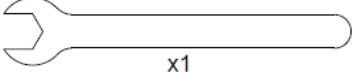
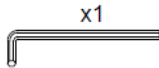
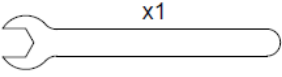


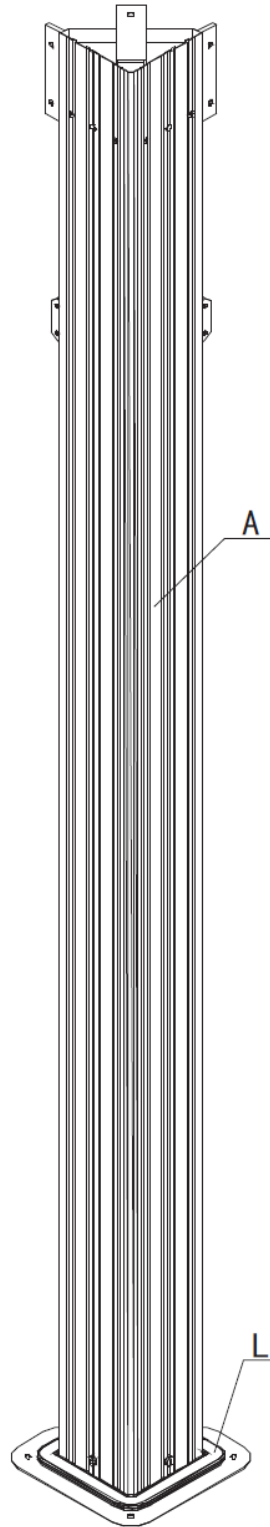
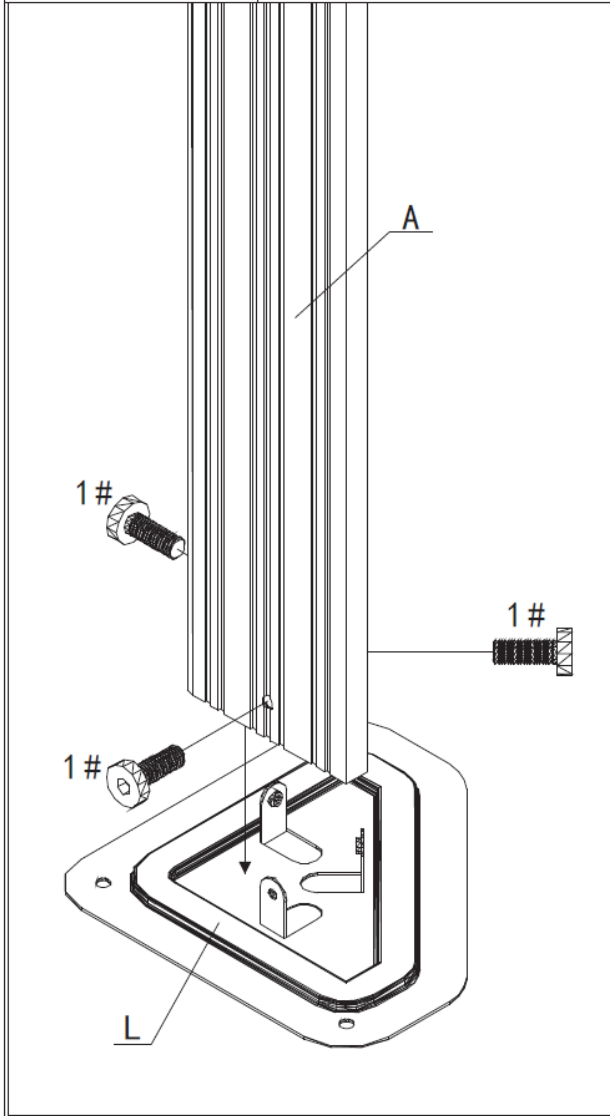
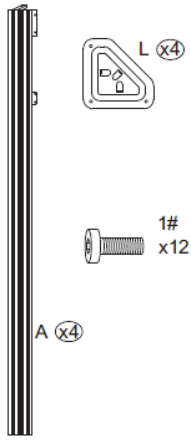
STEPLADDER

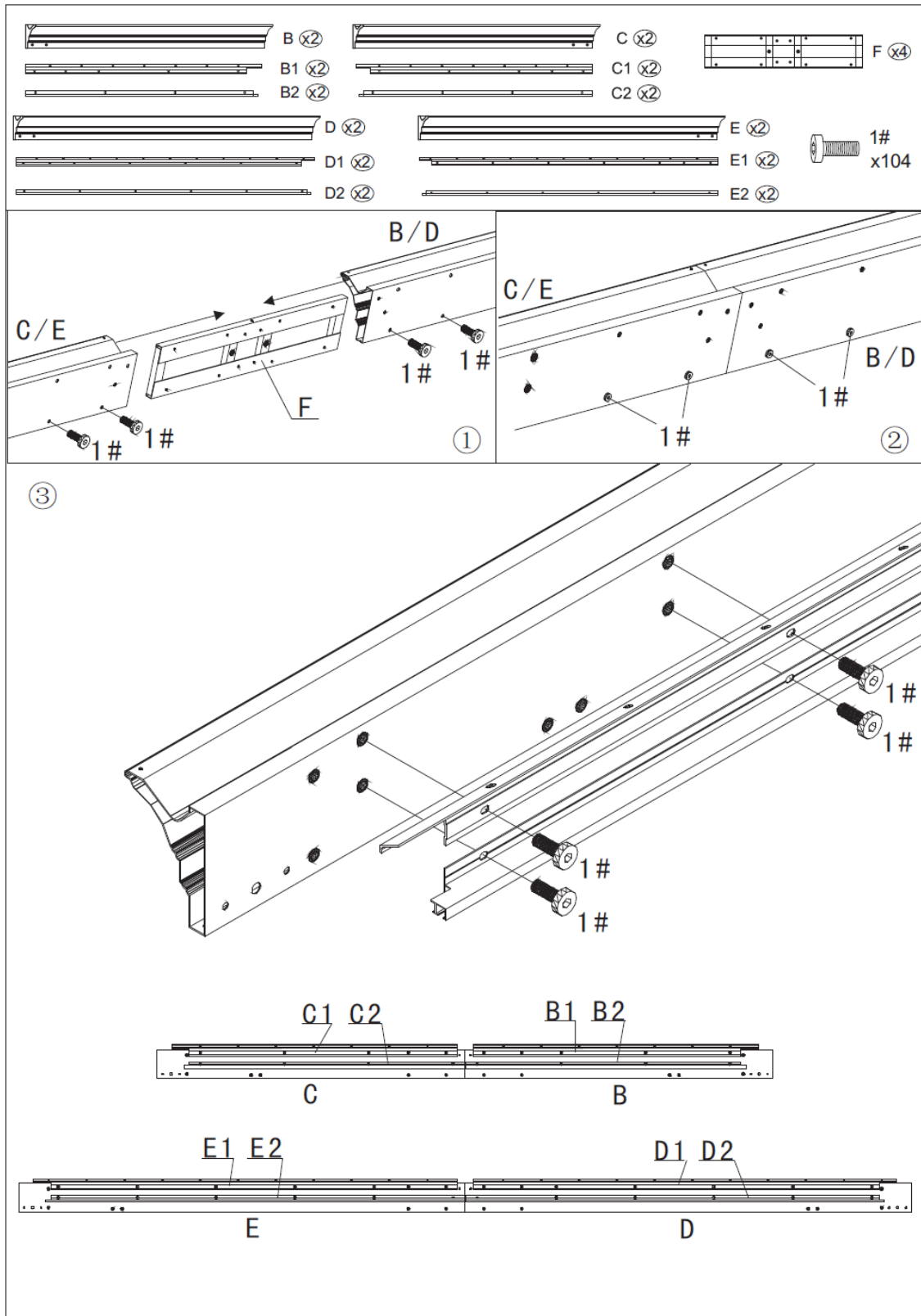


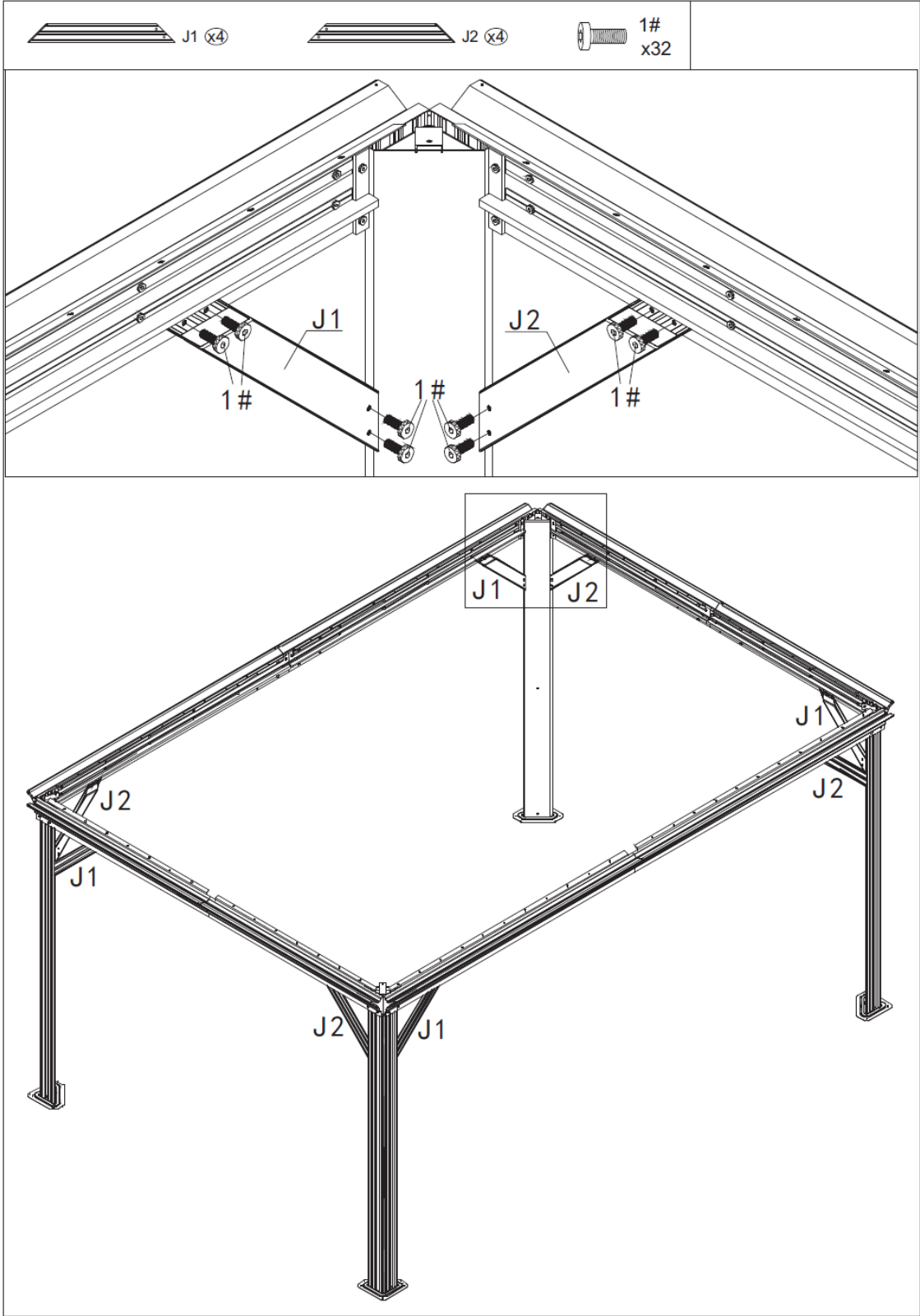
LEVEL

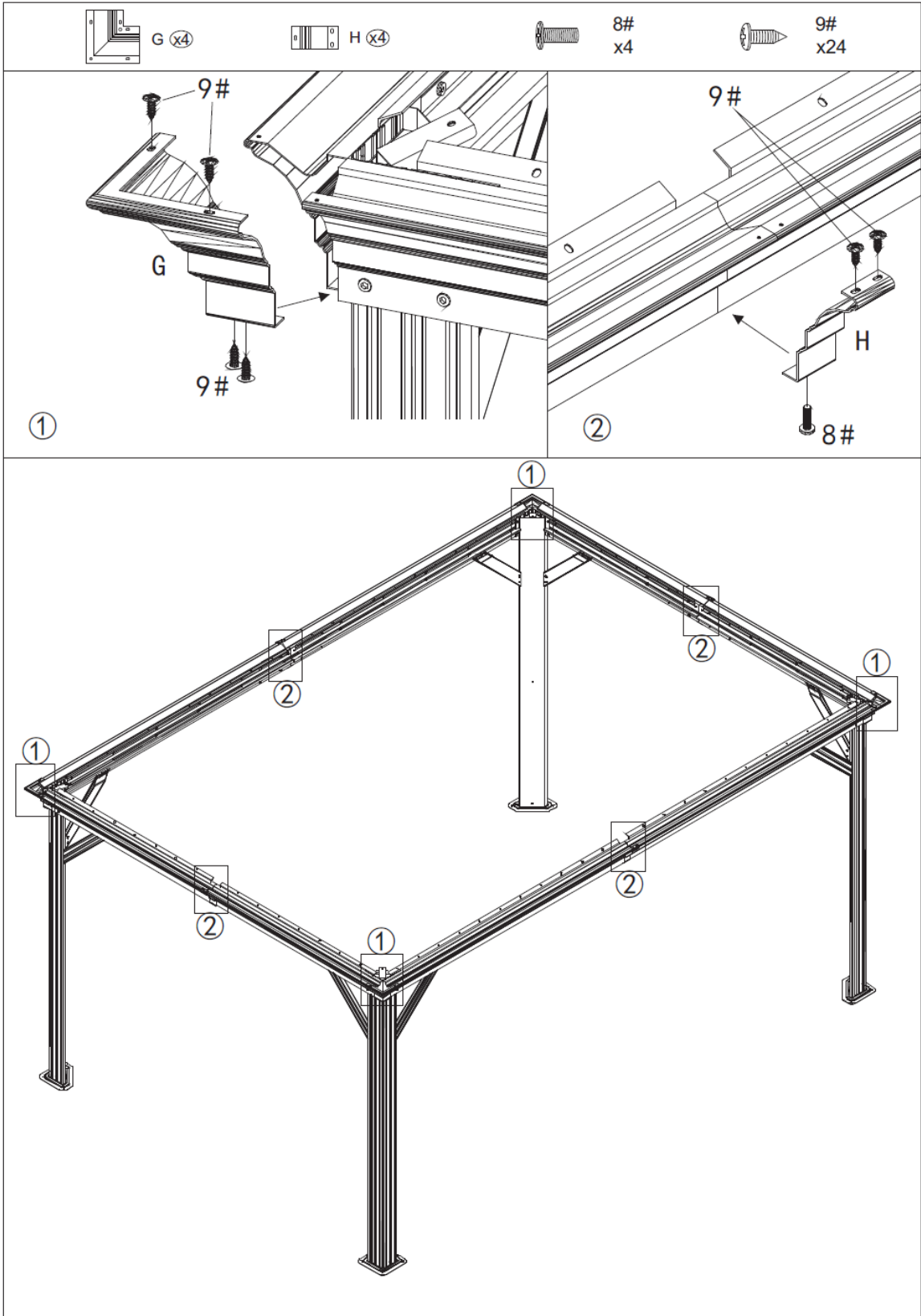
 A (x4)	 J1 (x4)	 J2 (x4)	 U3 (x2)
 B (x2)	 K (x1)	 U4 (x2)	
 B1 (x2)	 K1 (x1)	 U5 (x4)	 U6 (x4)
 B2 (x2)	 L (x4)	 V (x2)	
 C (x2)	 M (x4)	 V1 (x2)	
 C1 (x2)	 N (x4)	 V2 (x2)	
 C2 (x2)	 P (x2)	 W (x2)	
 D (x2)	 P1 (x2)	 W1 (x2)	 W2 (x2)
 D1 (x2)	 Q (x2)	 X2 (x2)	
 D2 (x2)	 Q1 (x2)	 Q2 (x2)	 X1 (x2)
 E (x2)	 R (x8)	 S (x108)	 X3 (x2)
 E1 (x2)	 T1 (x2)	 X4 (x2)	
 E2 (x2)	 T2 (x2)	 Y (x4)	
 F (x4)	 U1 (x2)		
 G (x4)	 H (x4)	 H1 (x4)	 U2 (x2)

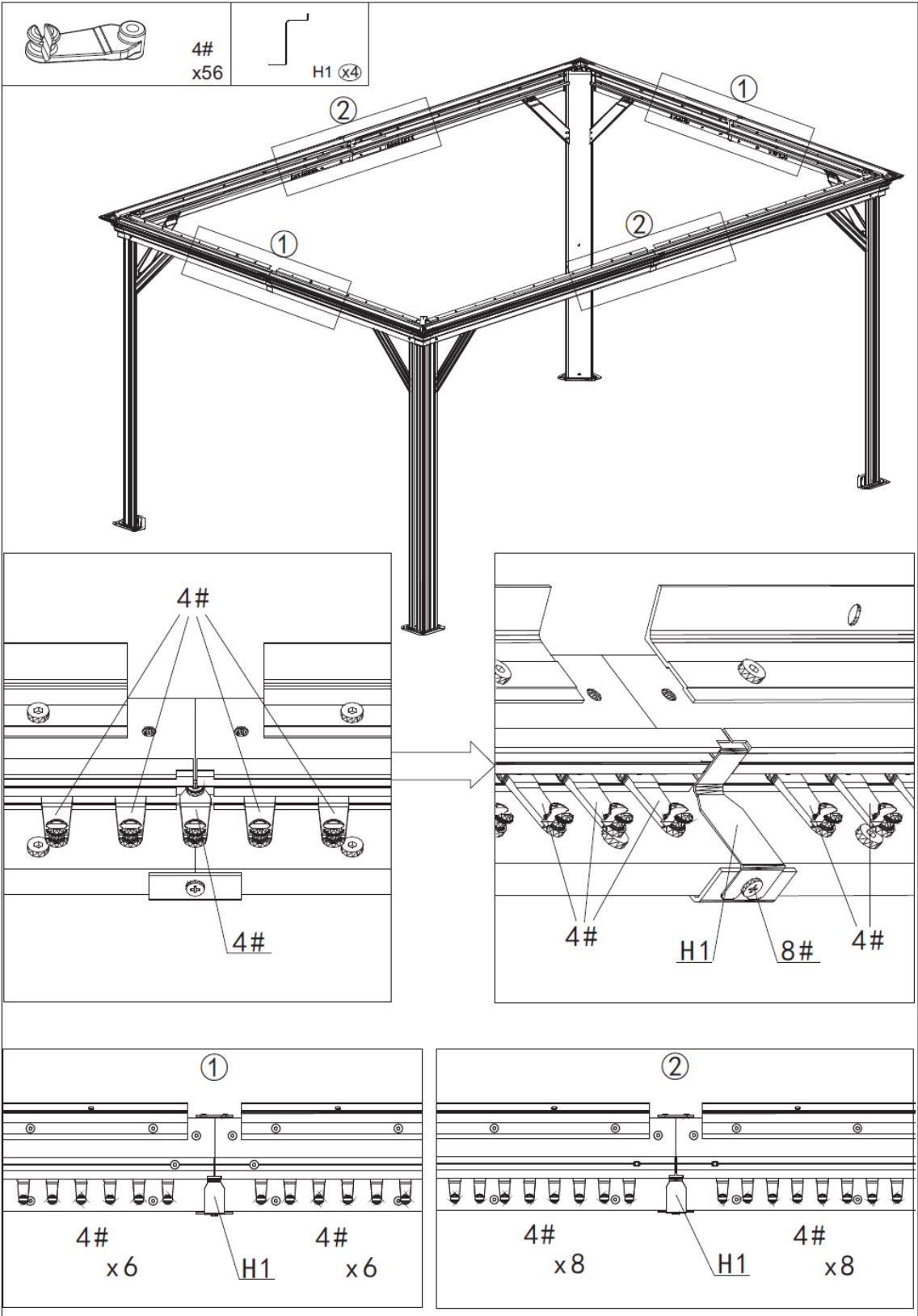
	M6x16	1# x215
	M6x20	2# x16
		3# x16
		4# x56
	M6x28	5# x72
	M6x45	6# x8
	M6x50	7# x24
	M5x16	8# x4
	ST4.8x13	9# x24
	M6x25	10# x4
	M6x10	11# x12
 x1		
	 x1	
	 x1	
	 x1	

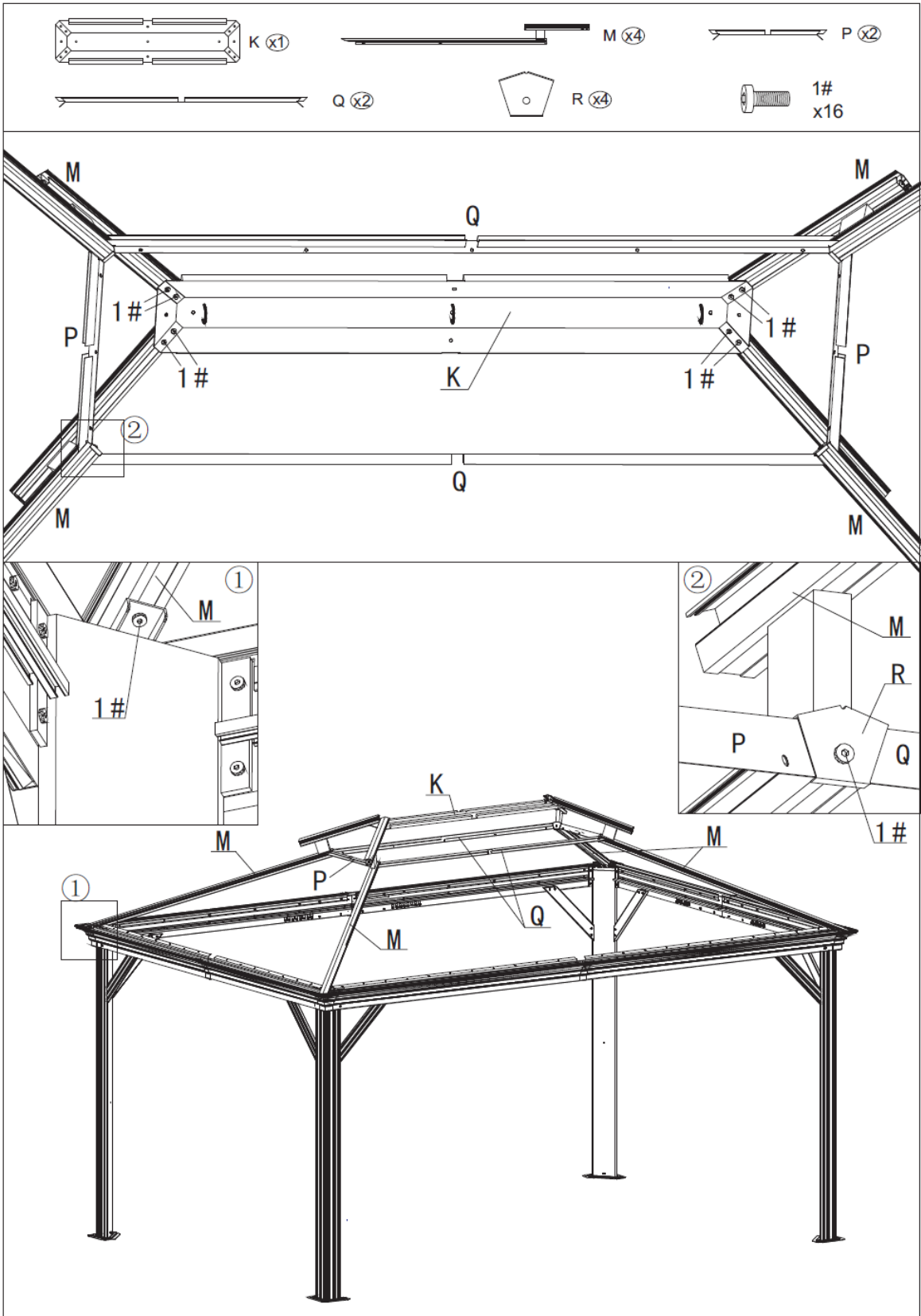


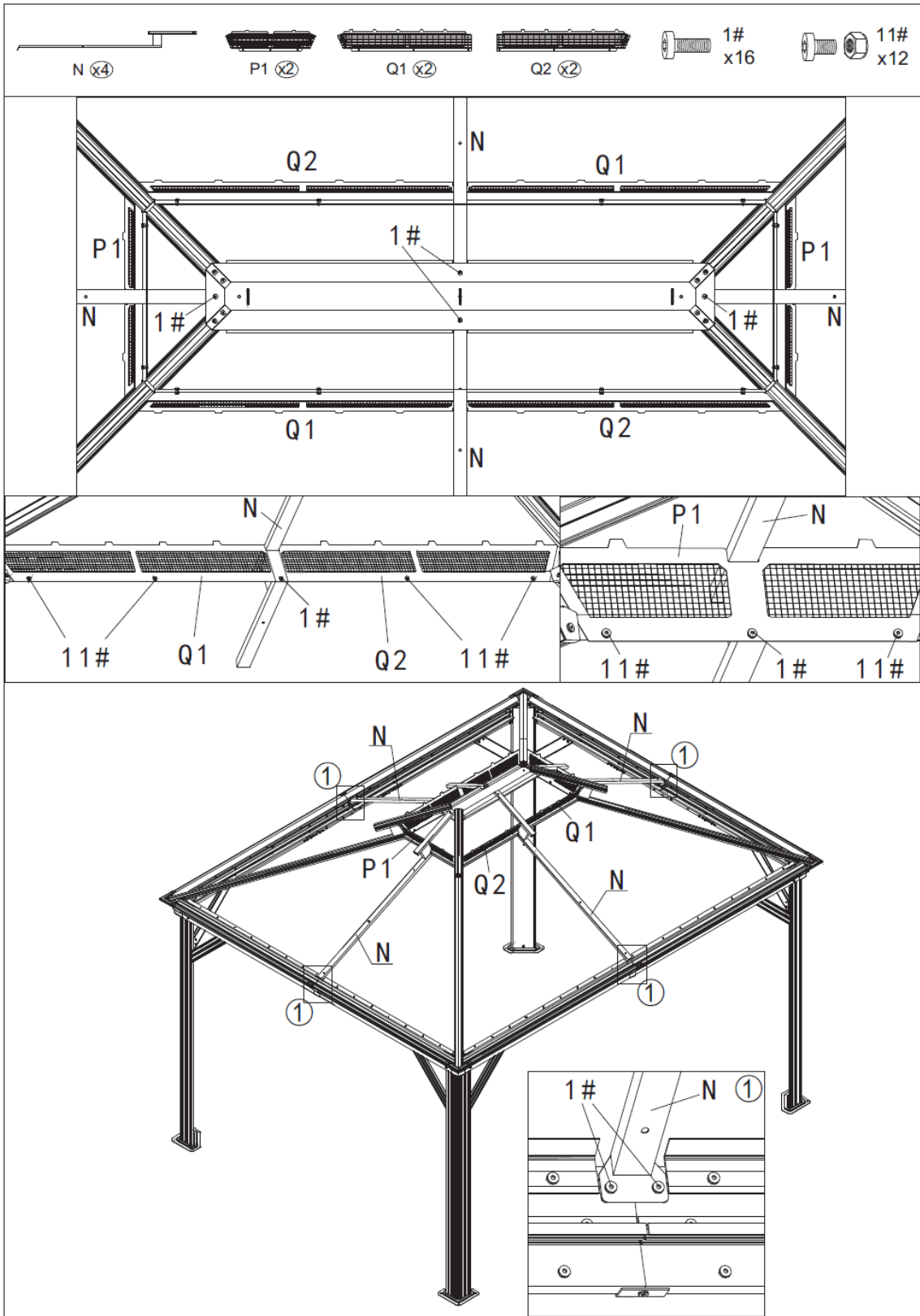










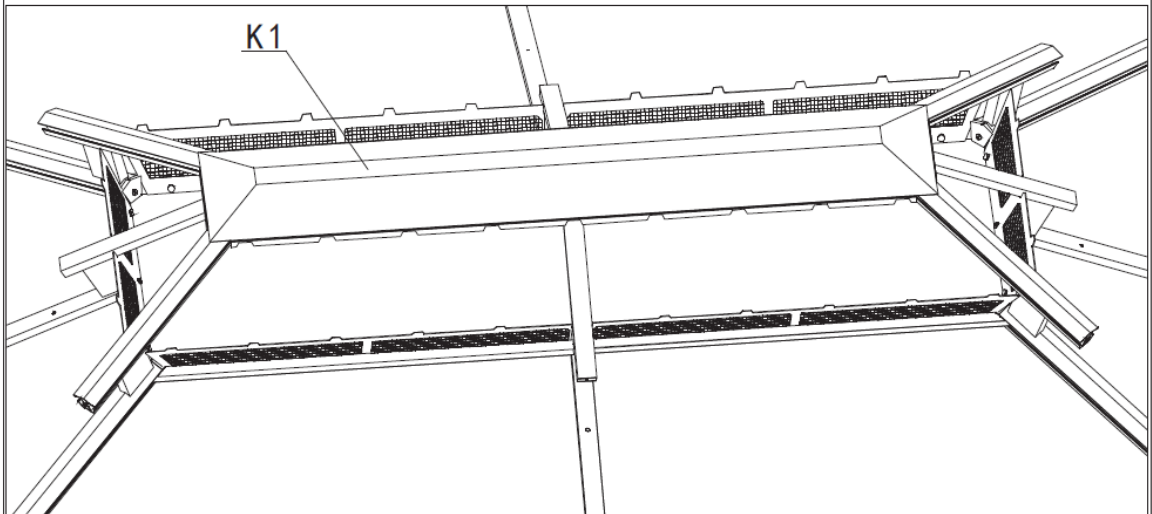
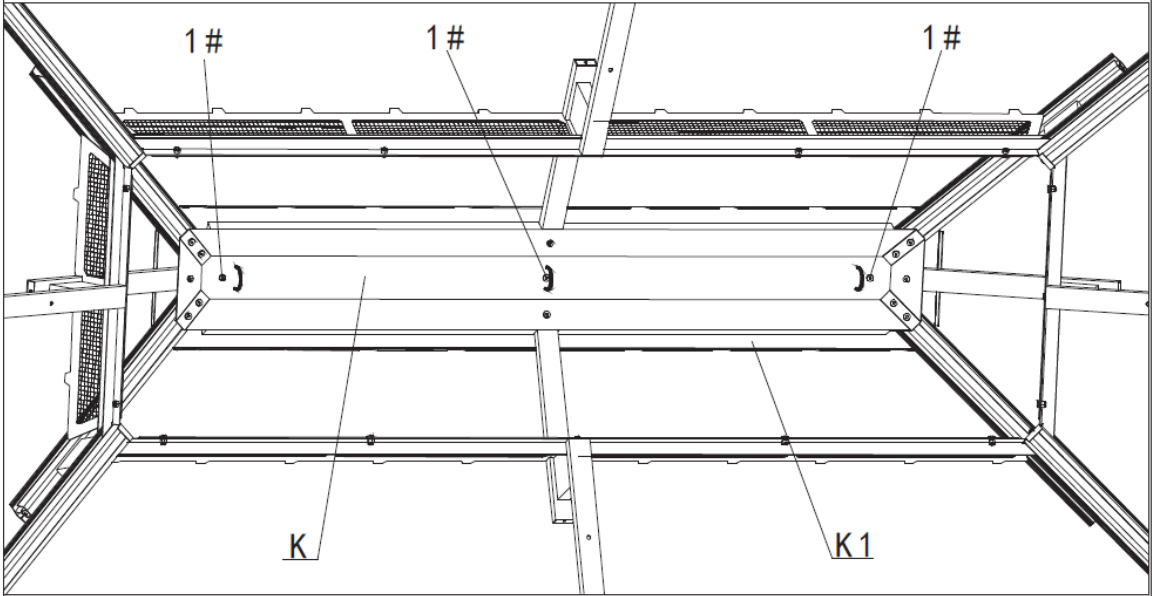


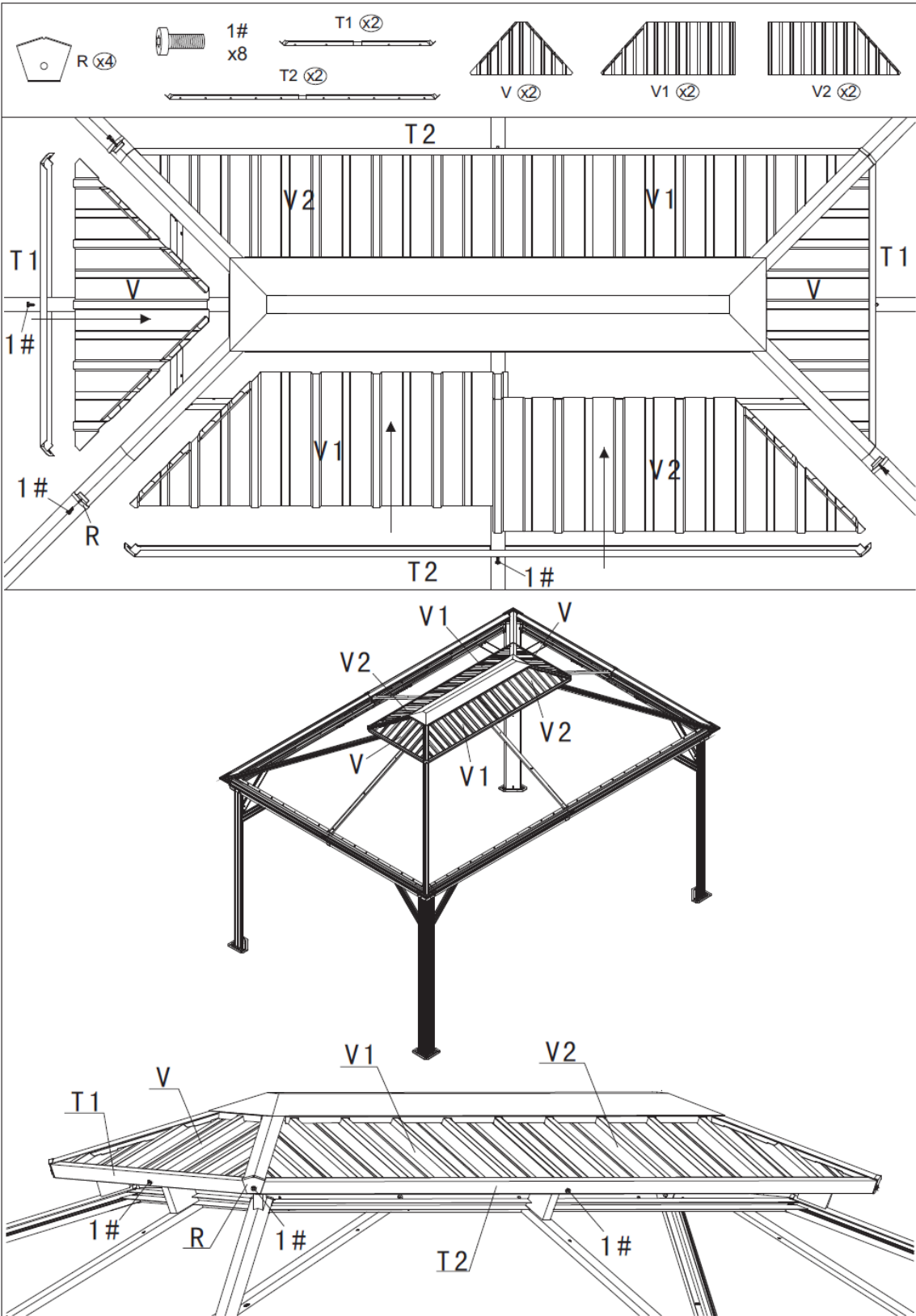


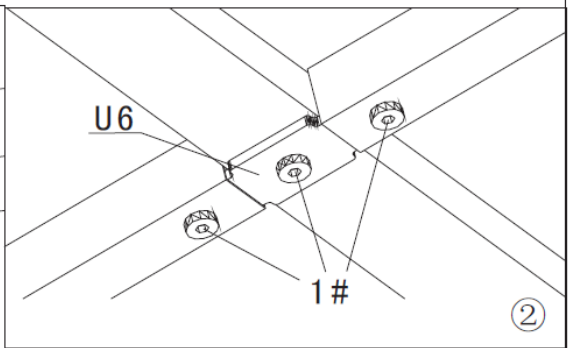
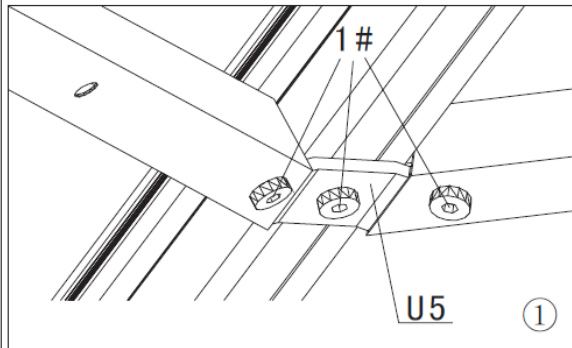
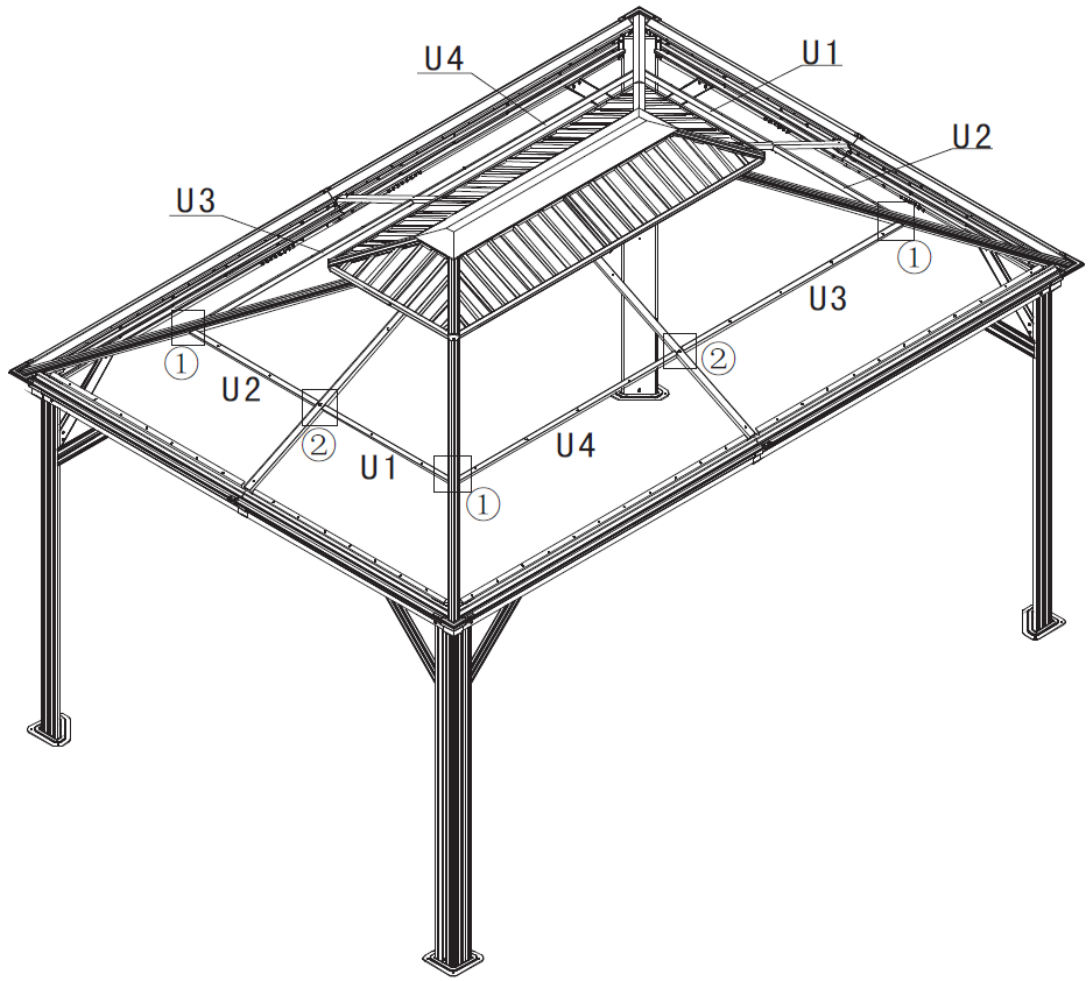
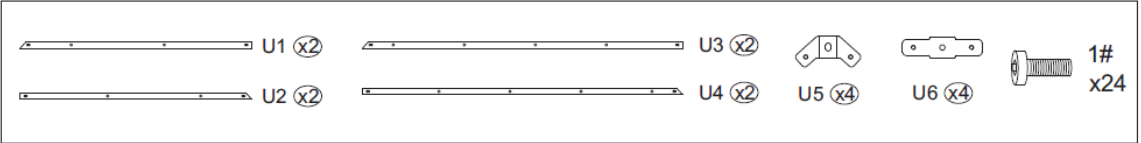
K1 (x1)

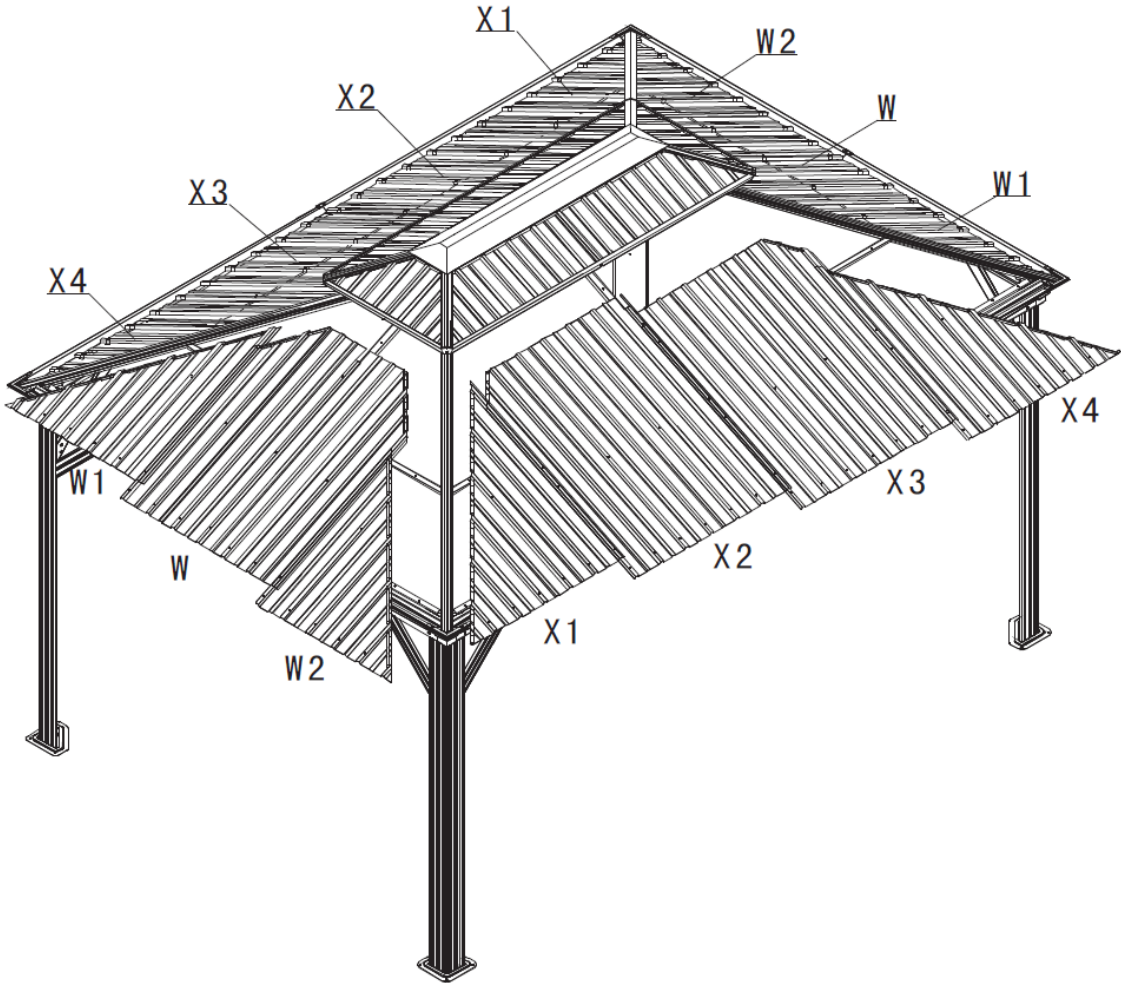
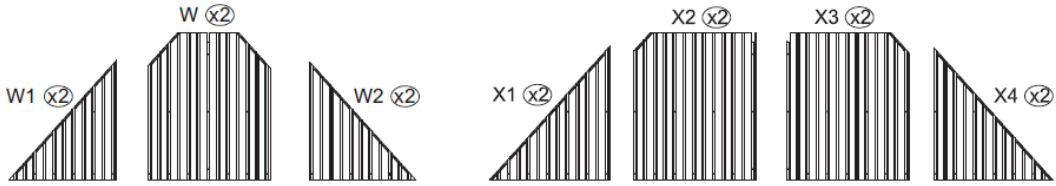


1#
x3









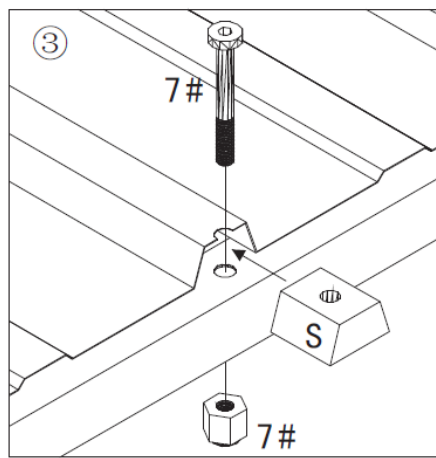
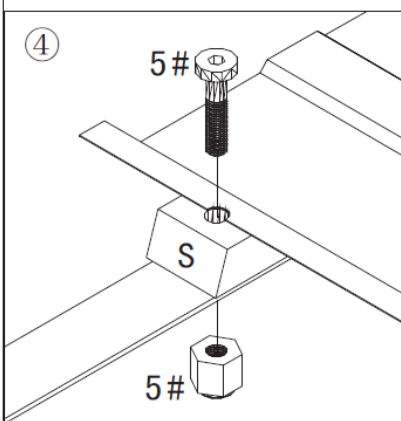
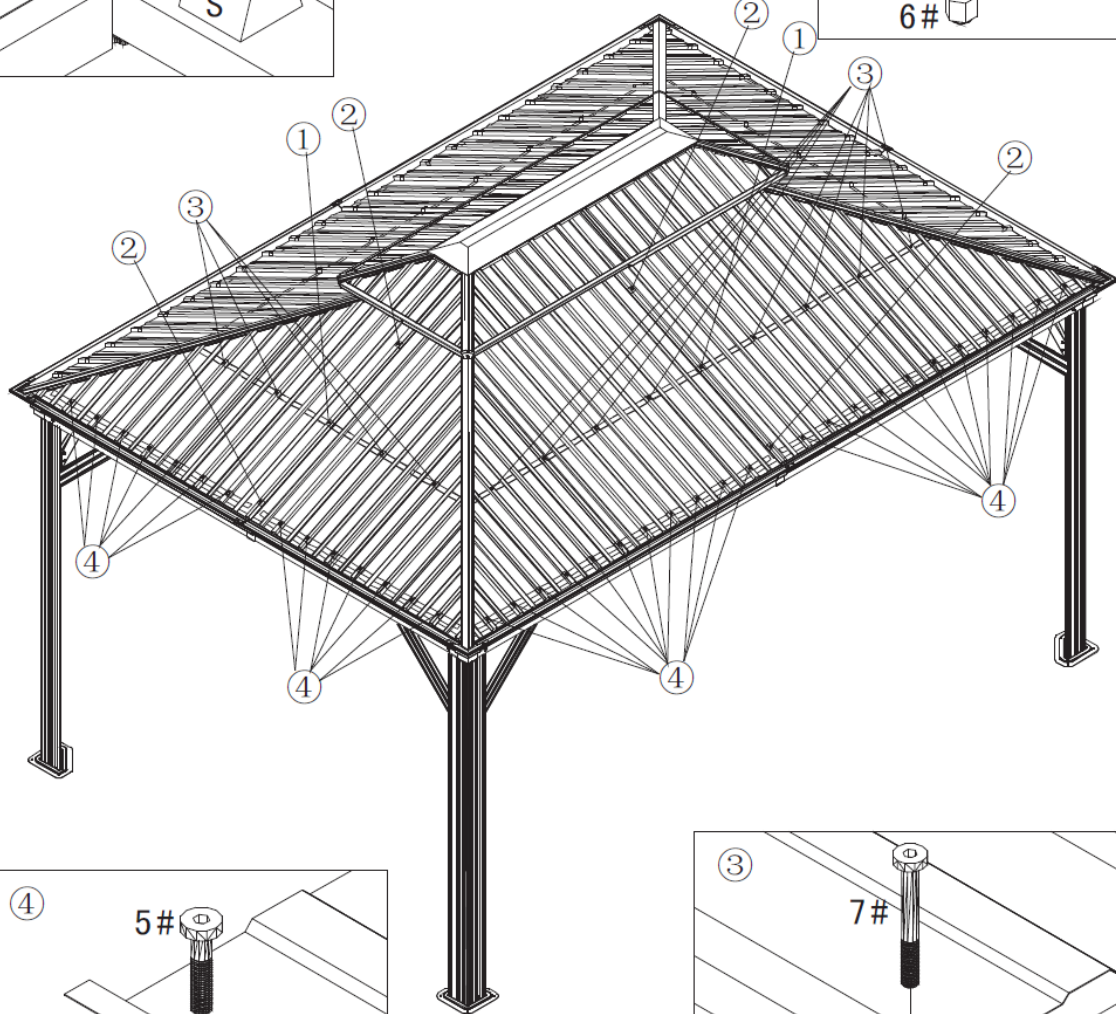
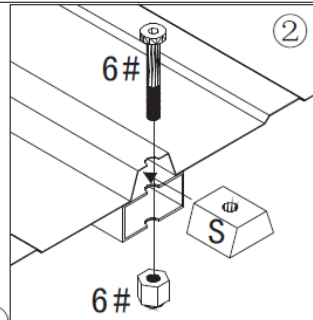
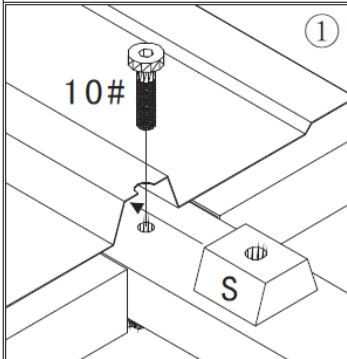
S (x108)

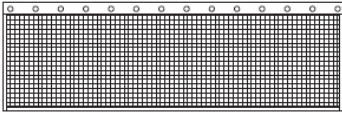
5# x72

6# x8

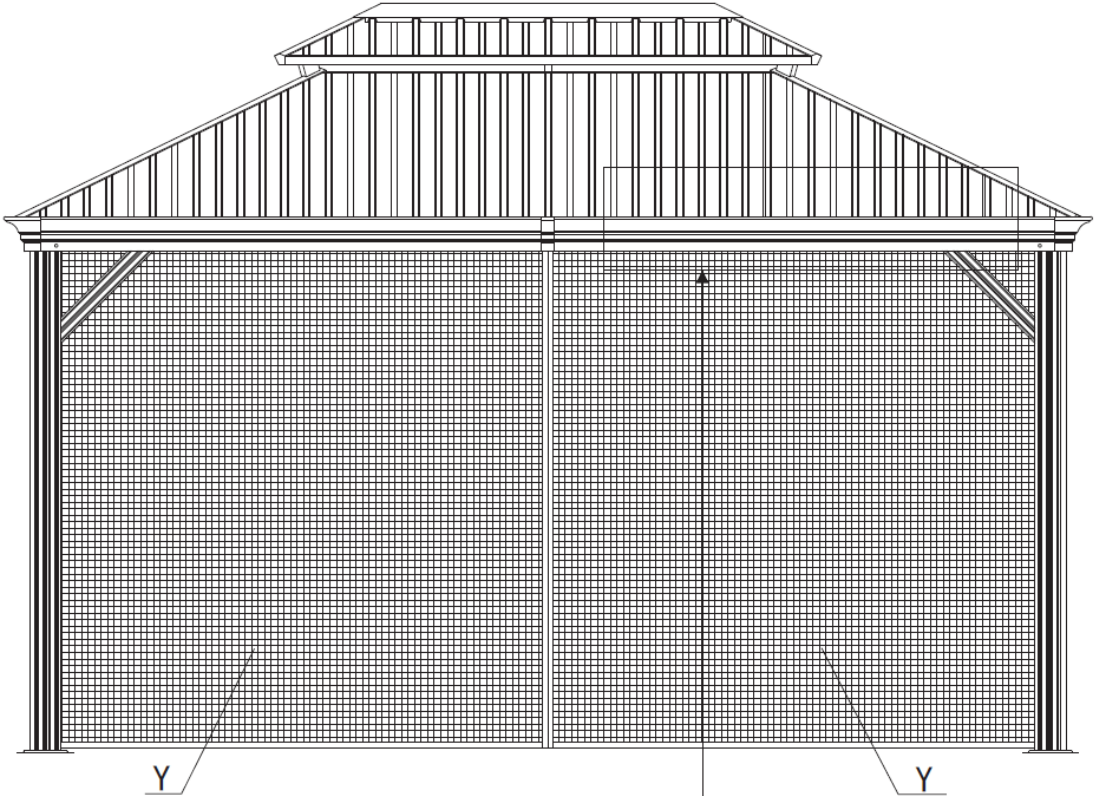
7# x24

10# x4



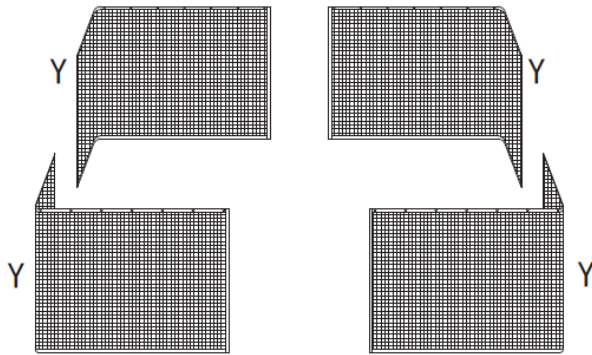


Y (x4)



Y

Y



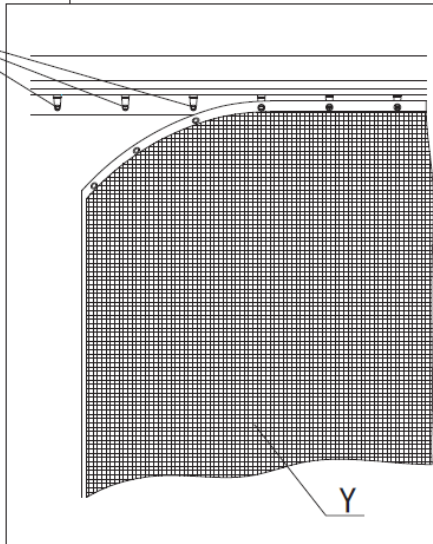
Y

Y

Y

Y

12#



Y



***THANK YOU FOR YOUR
PURCHASE!***

We are pleased you have chosen our product for your outdoor furnishings. We hope that you enjoy this product which was designed with quality, style and comfort in mind. From our team to yours, thank you for letting us be part of your outdoor lifestyle.

FORUM OUTDOOR LIVING

