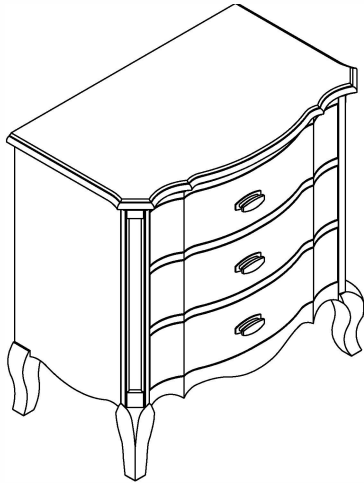


ASSEMBLY INSTRUCTION

NIGHTSTAND

Thank you for purchasing this quality product. Be sure to check all packing materials carefully for small parts, which may have come loose inside the carton during shipment. Identify and count all parts and compare with the parts list below.

**** Do not fully tighten screws until fully assembled ****

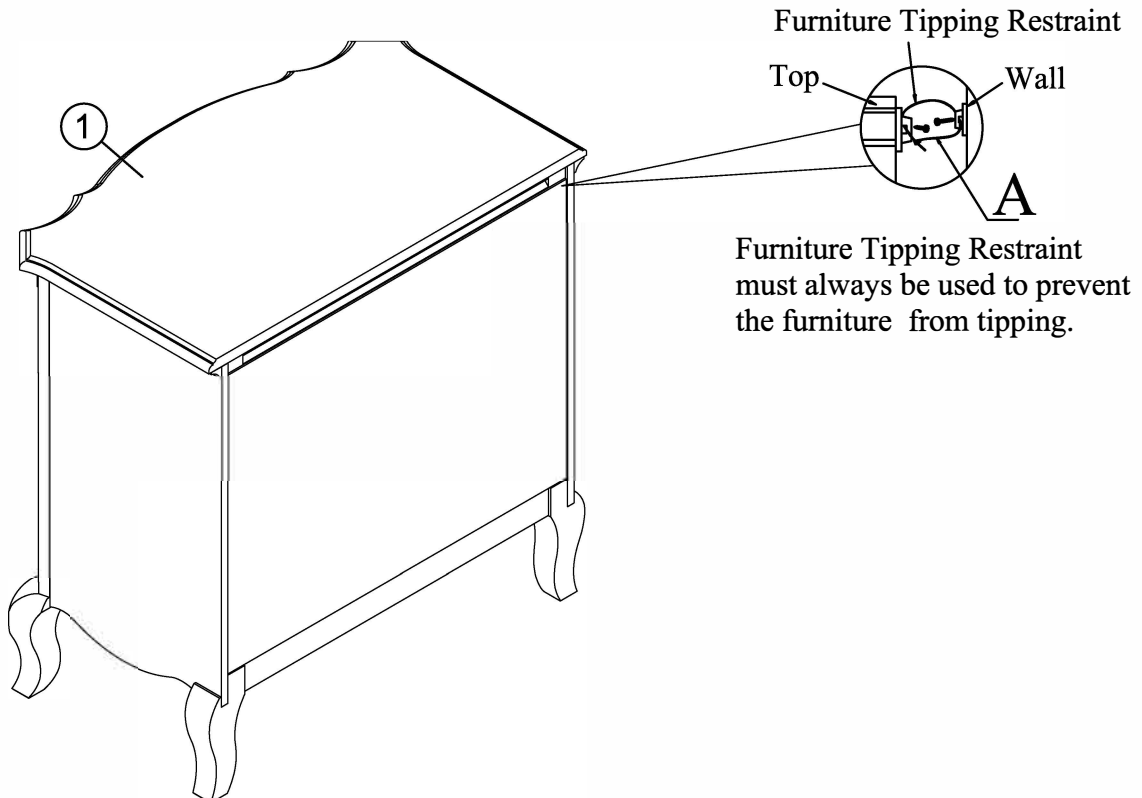


PARTS LIST:



HARDWARE LIST

NO.	Drawing	Description	Q'ty
A		Furniture Tipping Restraint	1 Set



Furniture Tipping Restraint must always be used to prevent the furniture from tipping.

CLEANING INSTRUCTION

Clean the surface of the Nightstand with furniture polish and a soft cloth.

Attention

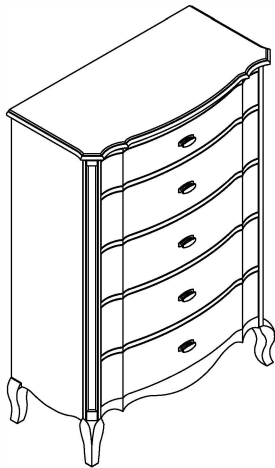
*** Some number parts listed on the instruction sheet may not be in parts bag as they may be assembled. Carefully check parts and packing materials prior to ordering replacements.***

ASSEMBLY INSTRUCTION

CHEST

Thank you for purchasing this quality product. Be sure to check all packing materials carefully for small parts, which may have come loose inside the carton during shipment. Identify and count all parts and compare with the parts list below.

**** Do not fully tighten screws until fully assembled ****

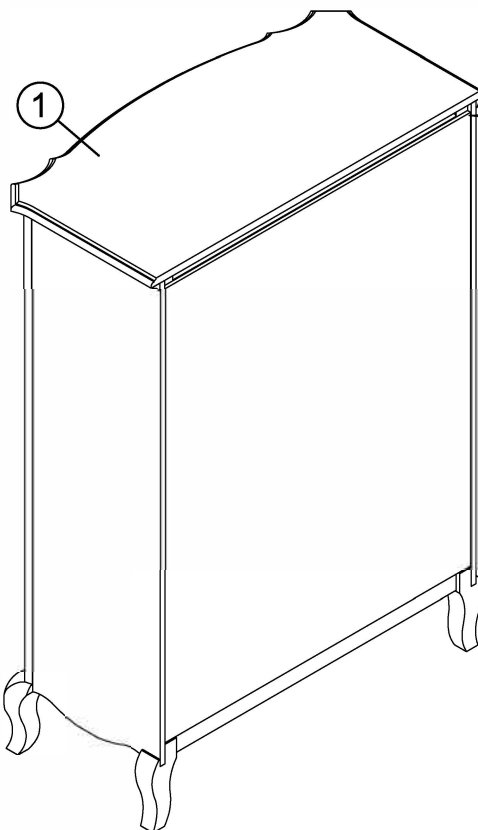


PARTS LIST:

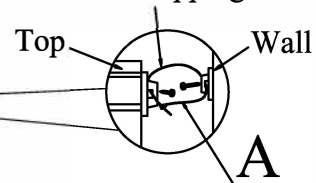
①	
CHEST: 1PC	

HARDWARE LIST

NO.	Drawing	Description	Q'ty
A		Furniture Tipping Restraint	1 Set



Furniture Tipping Restraint



Furniture Tipping Restraint must always be used to prevent the furniture from tipping.

CLEANING INSTRUCTION

Clean the surface of the Chest with furniture polish and a soft cloth.

Attention

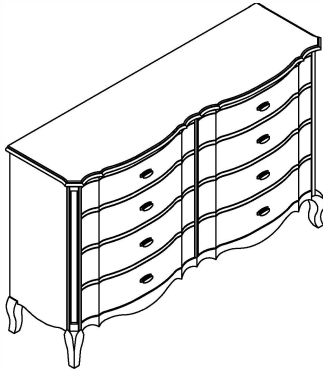
*** Some number parts listed on the instruction sheet may not be in parts bag as they may be assembled. Carefully check parts and packing materials prior to ordering replacements.***

ASSEMBLY INSTRUCTION


DRESSER

Thank you for purchasing this quality product. Be sure to check all packing materials carefully for small parts, which may have come loose inside the carton during shipment. Identify and count all parts and compare with the parts list below.

**** Do not fully tighten screws until fully assembled ****

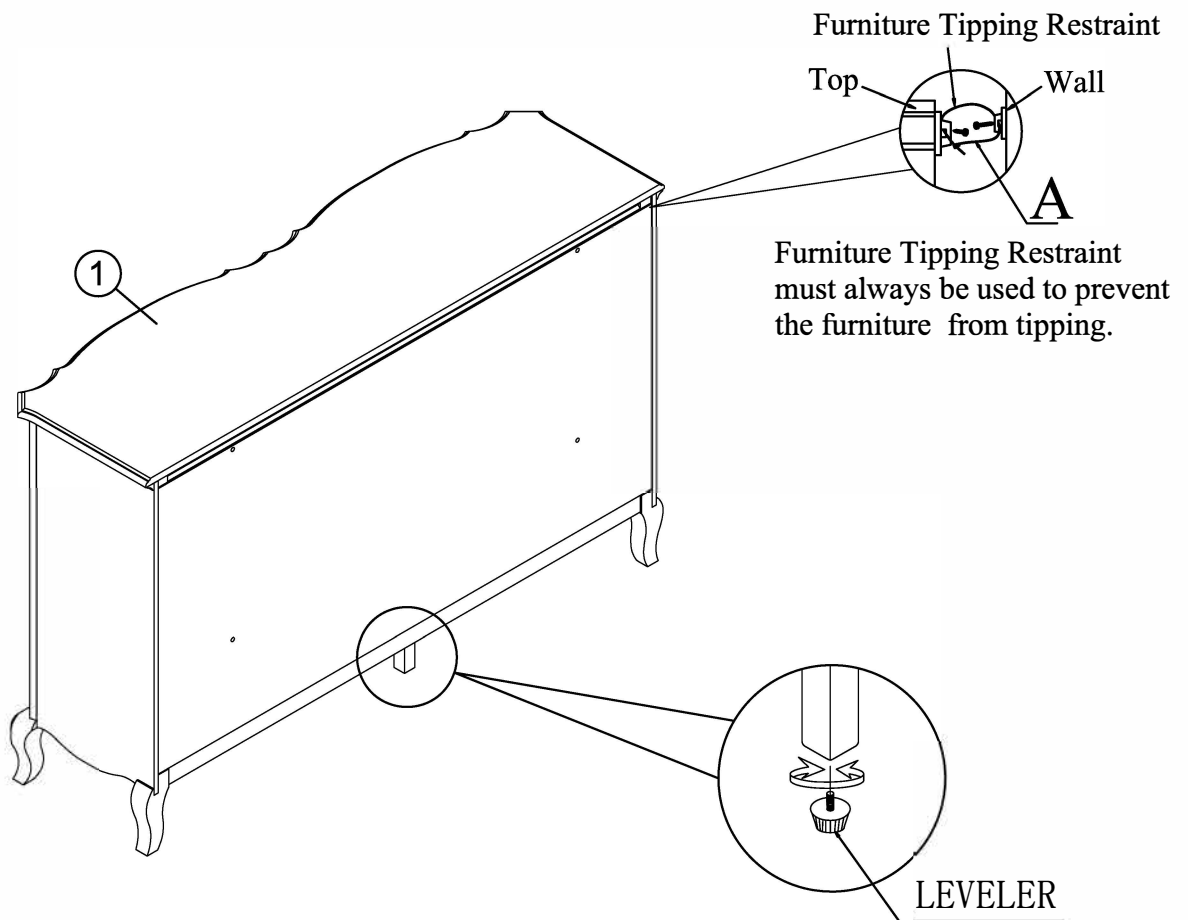


PARTS LIST:

①	
DRESSER: 1PC	

HARDWARE LIST

NO.	Drawing	Description	Q'ty
A		Furniture Tipping Restraint	1 Set



CLEANING INSTRUCTION

Clean the surface of the Dresser with furniture polish and a soft cloth.

Attention

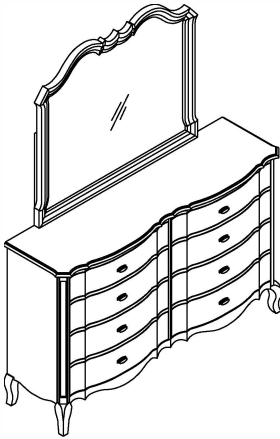
*** Some number parts listed on the instruction sheet may not be in parts bag as they may be assembled. Carefully check parts and packing materials prior to ordering replacements.***

ASSEMBLY INSTRUCTION

MIRROR/DRESSER

Thank you for purchasing this quality product. Be sure to check all packing materials carefully for small parts, which may have come loose inside the carton during shipment. Identify and count all parts and compare with the parts list below.

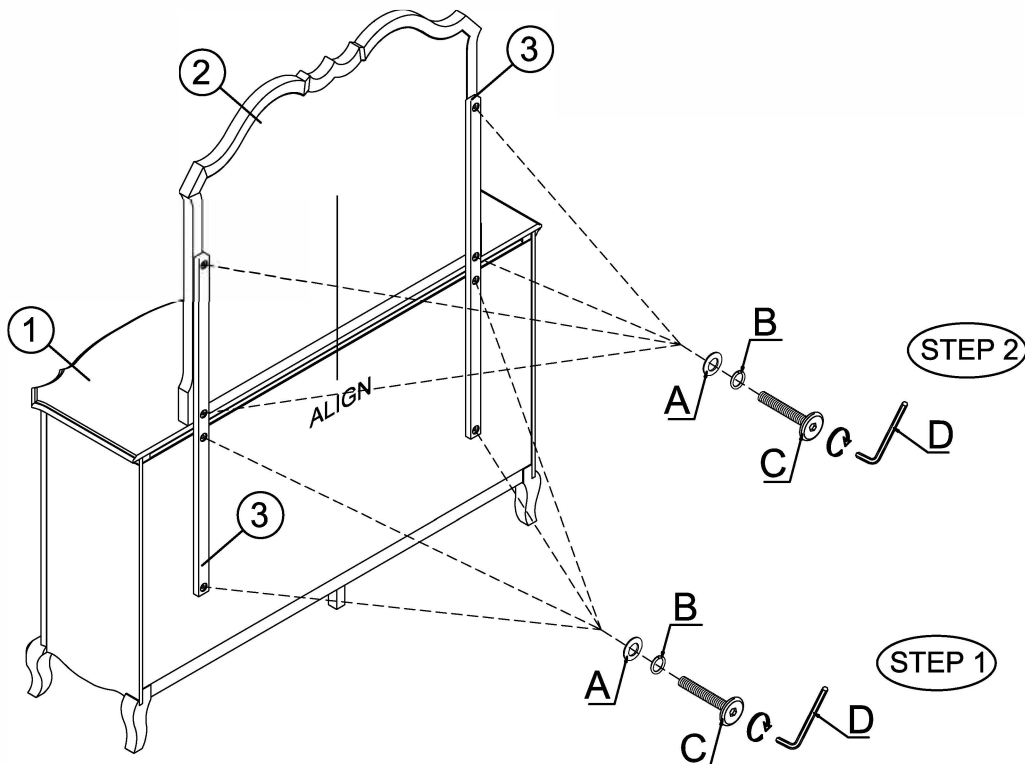
**** Do not fully tighten screws until fully assembled ****



HARDWARE LIST			
NO.	Drawing	Description	Q'ty
A		Flat washer (Ø1/4"x19mm)	8pcs
B		Spring washer (Ø1/4")	8pcs
C		Bolt (Φ1/4"x1-1/2")	8pcs
D		Allen wrench (4mm)	1pc

PARTS LIST:

DRESSER: 1PC	MIRROR: 1PC	MIRROR SUPPORT : 2PCS



CLEANING INSTRUCTION

Clean the surface of the Mirror/Dresser with furniture polish and a soft cloth.

Attention

*** Some number parts listed on the instruction sheet may not be in parts bag as they may be assembled. Carefully check parts and packing materials prior to ordering replacements.***

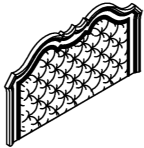
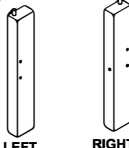
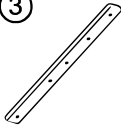
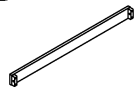
ASSEMBLY INSTRUCTION

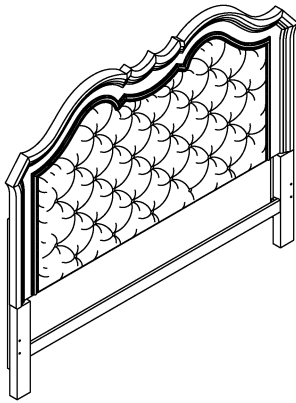
CAL.KING/ E.KING HEADBOARD

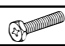



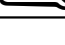
Thank you for purchasing this quality product. Be sure to check all packing materials carefully for small parts, which may have come loose inside the carton during shipment. Identify and count all parts and compare with the parts list below.

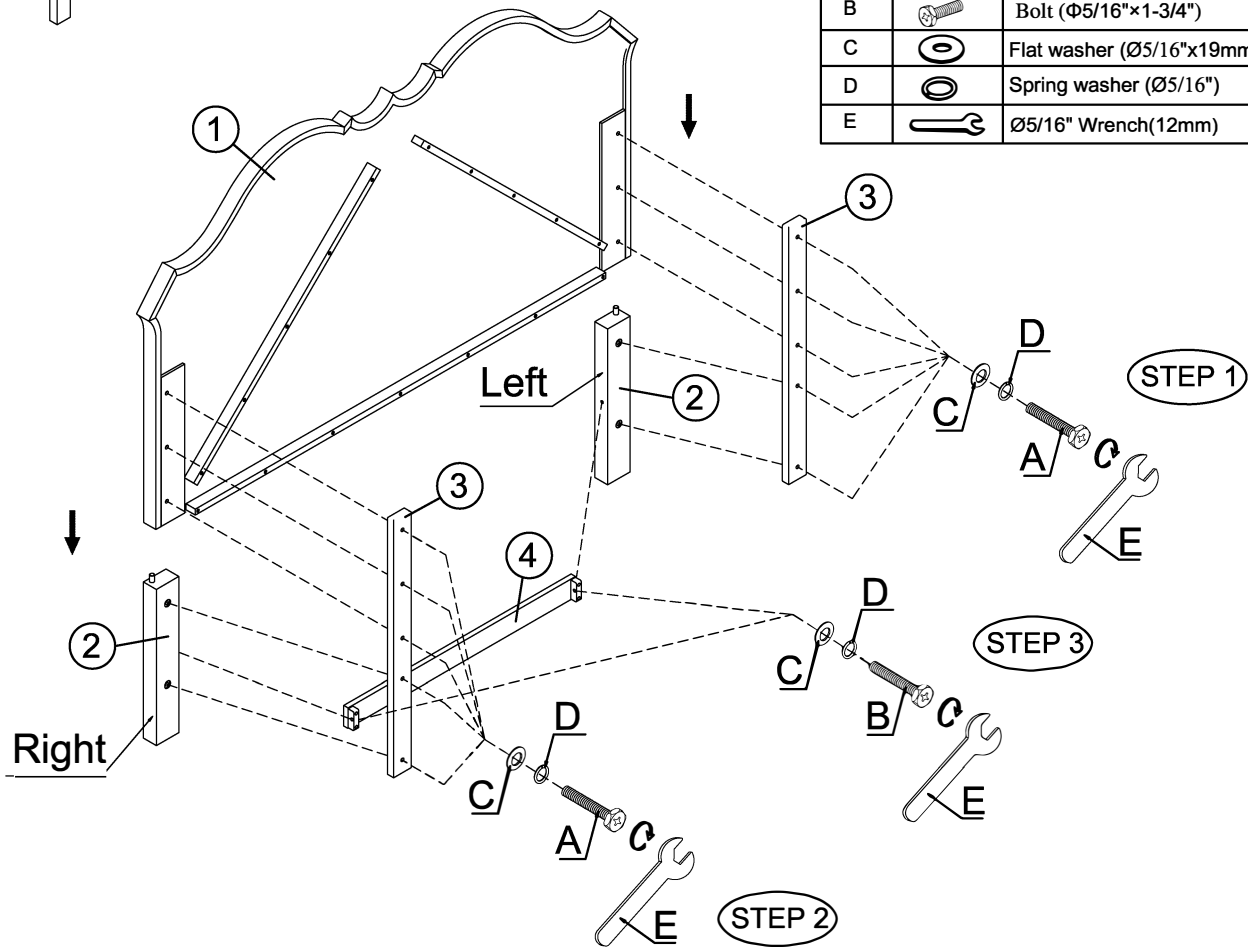
**** Do not fully tighten screws until fully assembled ****

PARTS LIST:

① 	②  LEFT RIGHT	③ 	④ 
HEADBOARD: 1PC	POST-LEGS: 2PCS	WOOD SUPPORT : 2PCS	HEADBOARD SLAT: 1PC



HARDWARE LIST			
NO.	Drawing	Description	Q'ty
A		Bolt (Φ5/16"×2")	10pcs
B		Bolt (Φ5/16"×1-3/4")	2pcs
C		Flat washer (Ø5/16"×19mm)	12pcs
D		Spring washer (Ø5/16")	12pcs
E		Ø5/16" Wrench(12mm)	1pc



CLEANING INSTRUCTION

Clean the surface of the Cal king/ E.king headboard with furniture polish and a soft cloth.
Attention

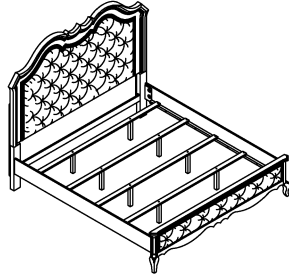
*** Some number parts listed on the instruction sheet may not be in parts bag as they may be assembled. Carefully check parts and packing materials prior to ordering replacements.***

ASSEMBLY INSTRUCTION

E.KING BED

Thank you for purchasing this quality product. Be sure to check all packing materials carefully for small parts, which may have come loose inside the carton during shipment. Identify and count all parts and compare with the parts list below.

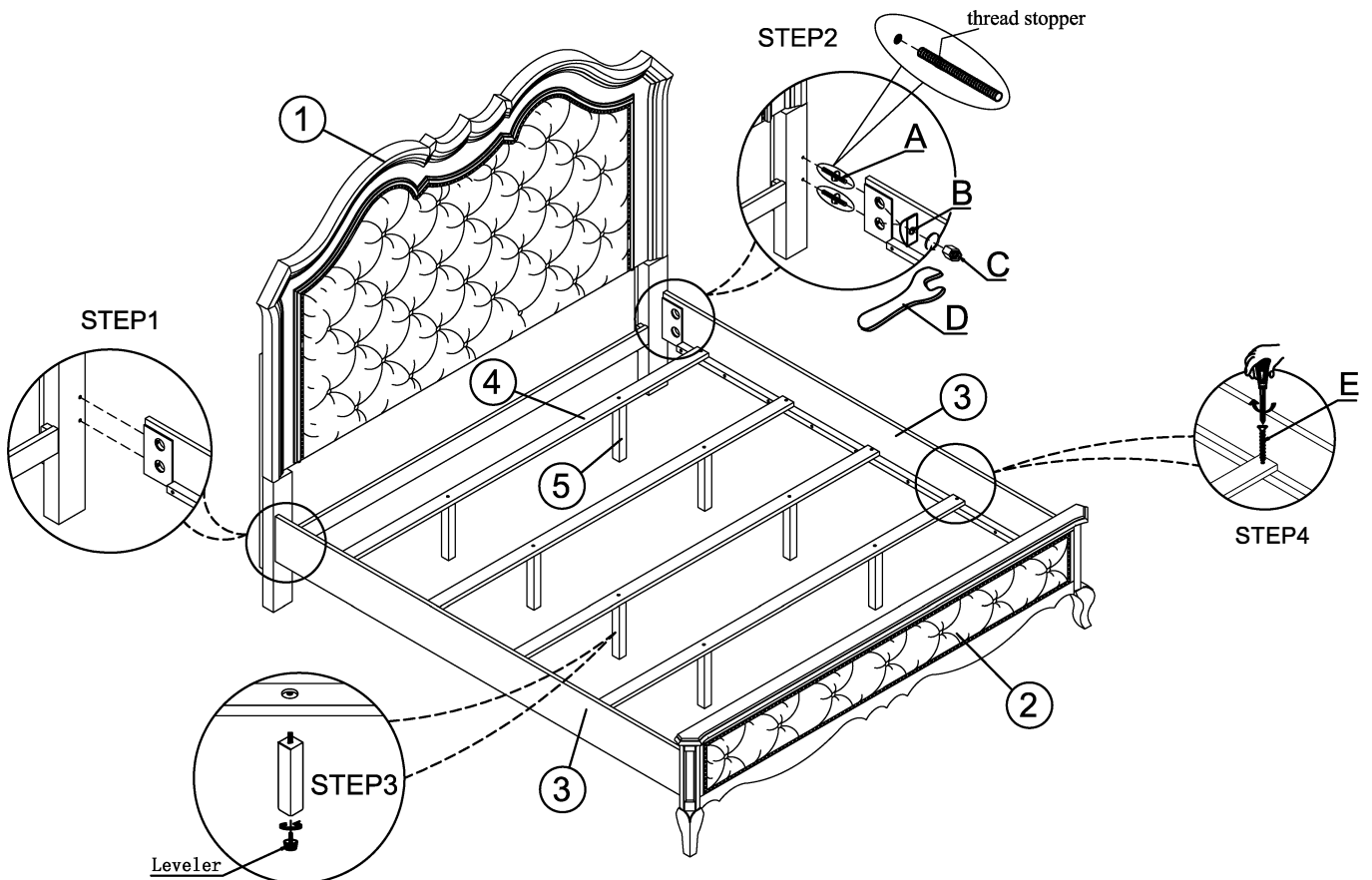
**** Do not fully tighten screws until fully assembled ****



HARDWARE LIST			
NO.	Drawing	Description	Q'ty
A		Threaded Bolt (Ø5/16"X3-1/2")	8pcs
B		Flat washer (Ø28x14.5x7.5)	8pcs
C		Hex Nut (Ø5/16")	8pcs
D		Ø5/16" Wrench(12mm)	1pc
E		Wood screw Ø8x1-1/4"	8pcs

PARTS LIST:

①	②	③	④	⑤
HEADBOARD: 1PC	FOOTBOARD: 1PC	SIDE RAIL: 2PCS	SLATS : 4PCS	SUPPORT LEGS: 8PCS



CLEANING INSTRUCTION

Clean the surface of the E.king bed with furniture polish and a soft cloth.

Attention

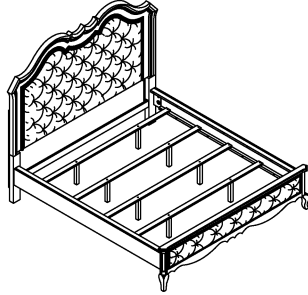
*** Some number parts listed on the instruction sheet may not be in parts bag as they may be assembled. Carefully check parts and packing materials prior to ordering replacements.***

ASSEMBLY INSTRUCTION

CAL.KING BED

Thank you for purchasing this quality product. Be sure to check all packing materials carefully for small parts, which may have come loose inside the carton during shipment. Identify and count all parts and compare with the parts list below.

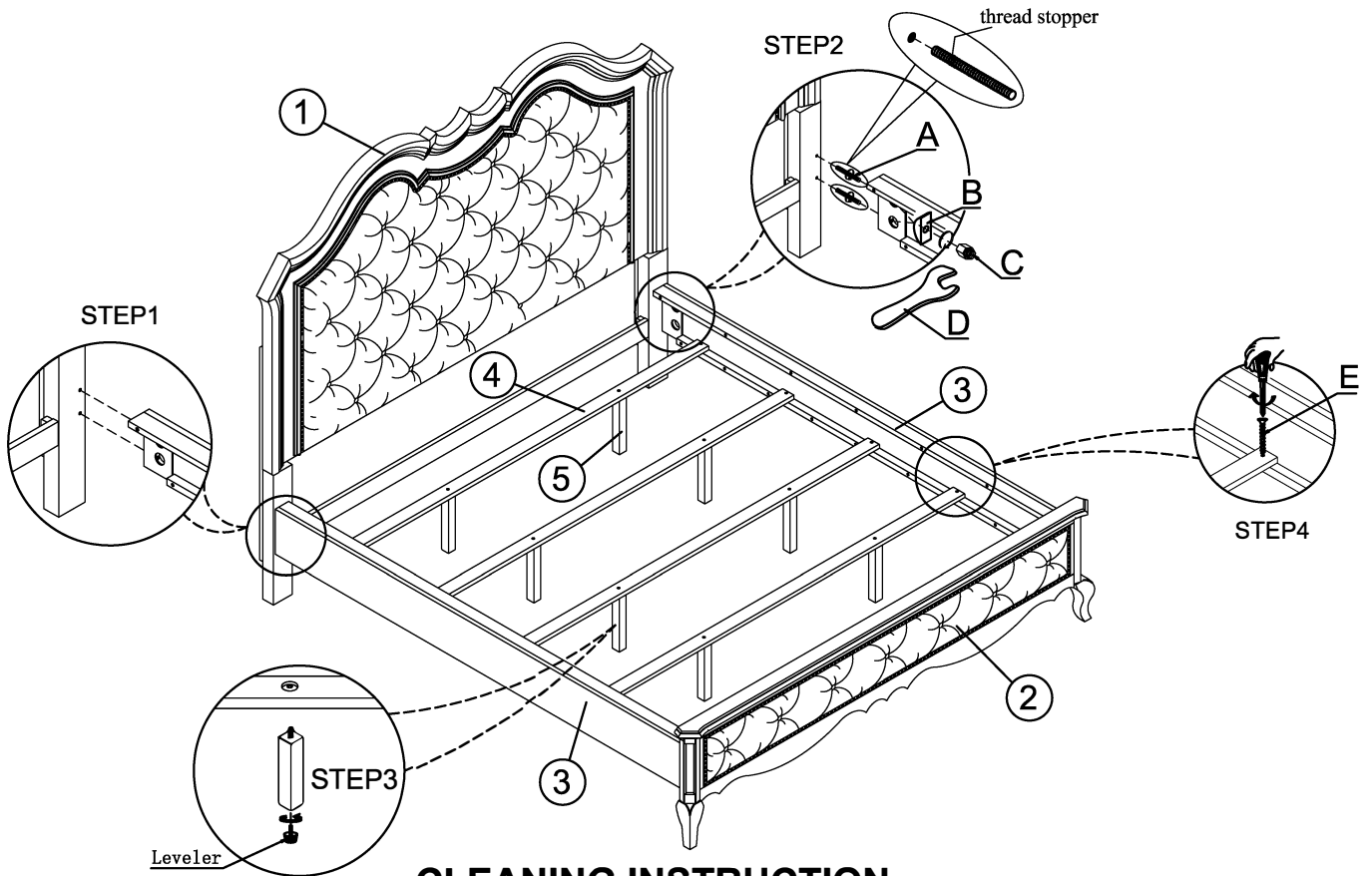
**** Do not fully tighten screws until fully assembled ****



HARDWARE LIST			
NO.	Drawing	Description	Q'ty
A		Threaded Bolt (Ø5/16"X3-1/2")	8pcs
B		Flat washer (Ø28x14.5x7.5)	8pcs
C		Hex Nut (Ø5/16")	8pcs
D		Ø5/16" Wrench(12mm)	1pc
E		Wood screw Ø8x1-1/4"	8pcs

PARTS LIST:

① 	② 	③ 	④ 	⑤
HEADBOARD: 1PC	FOOTBOARD: 1PC	SIDE RAIL: 2PCS	SLATS : 4PCS	SUPPORT LEGS: 8PCS



CLEANING INSTRUCTION

Clean the surface of the Cal.king bed with furniture polish and a soft cloth.

Attention

*** Some number parts listed on the instruction sheet may not be in parts bag as they may be assembled. Carefully check parts and packing materials prior to ordering replacements.***

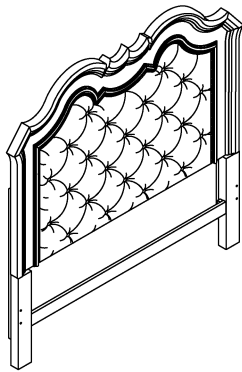
ASSEMBLY INSTRUCTION

QUEEN HEADBOARD

Thank you for purchasing this quality product. Be sure to check all packing materials carefully for small parts, which may have come loose inside the carton during shipment. Identify and count all parts and compare with the parts list below.

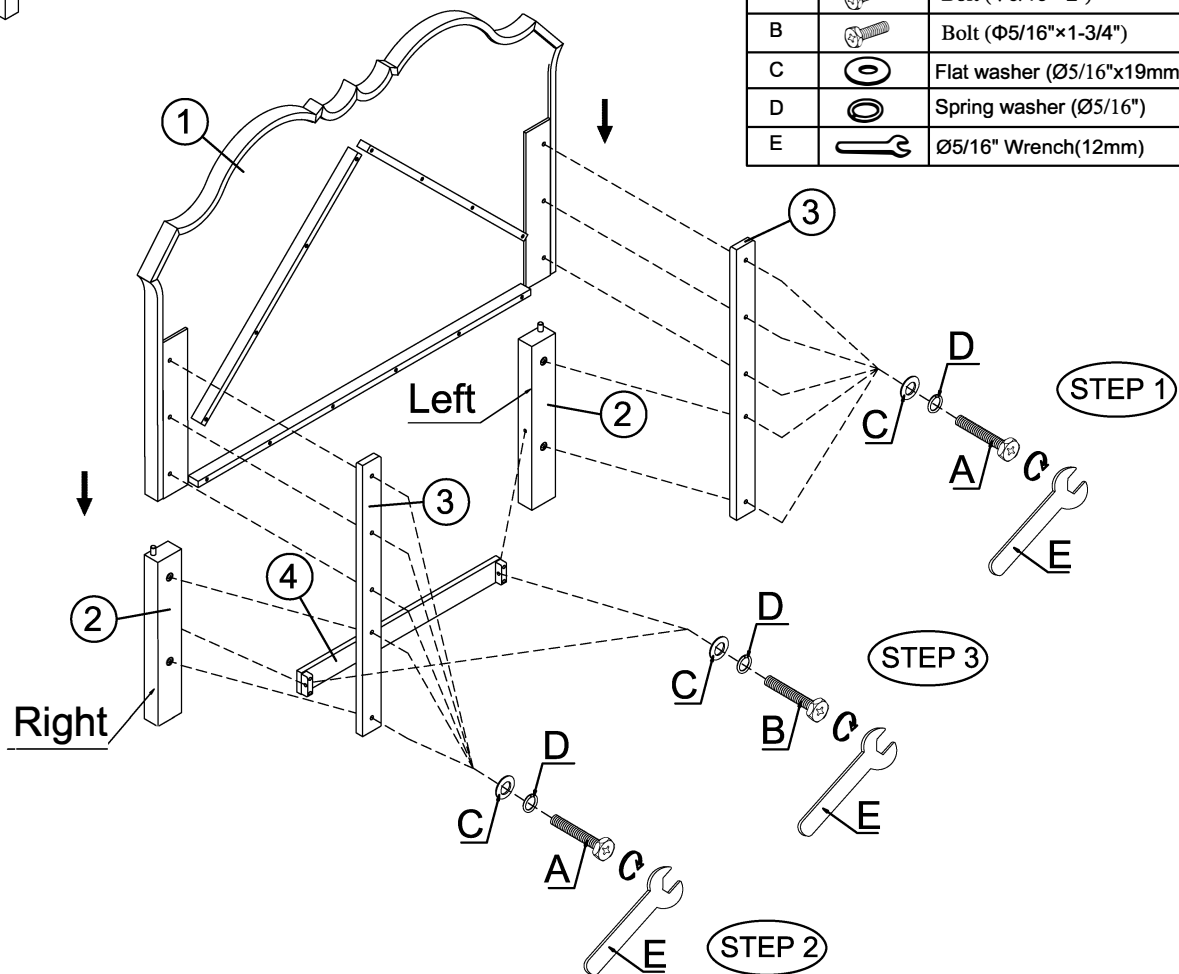
**** Do not fully tighten screws until fully assembled ****

PARTS LIST:



①	②	③	④
HEADBOARD: 1PC	POST-LEGS: 2PCS	WOOD SUPPORT : 2PCS	HEADBOARD SLAT: 1PC

HARDWARE LIST			
NO.	Drawing	Description	Q'ty
A		Bolt (Φ5/16"×2")	10pcs
B		Bolt (Φ5/16"×1-3/4")	2pcs
C		Flat washer (Ø5/16"×19mm)	12pcs
D		Spring washer (Ø5/16")	12pcs
E		Ø5/16" Wrench(12mm)	1pc



CLEANING INSTRUCTION

Clean the surface of the Queen headboard with furniture polish and a soft cloth.

Attention

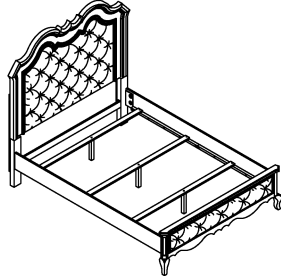
*** Some number parts listed on the instruction sheet may not be in parts bag as they may be assembled. Carefully check parts and packing materials prior to ordering replacements.***

ASSEMBLY INSTRUCTION

QUEEN BED

Thank you for purchasing this quality product. Be sure to check all packing materials carefully for small parts, which may have come loose inside the carton during shipment. Identify and count all parts and compare with the parts list below.

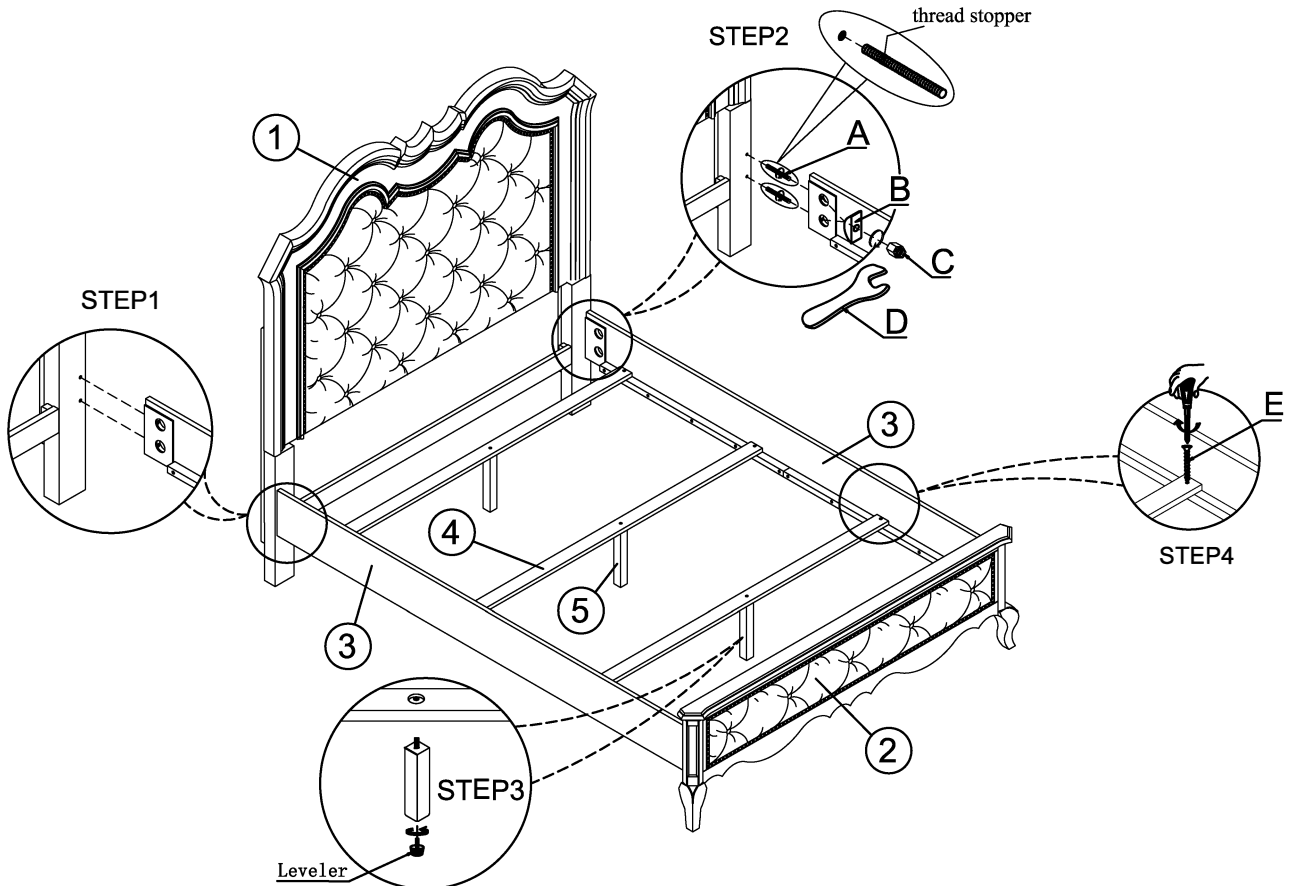
**** Do not fully tighten screws until fully assembled ****



HARDWARE LIST			
NO.	Drawing	Description	Q'ty
A		Threaded Bolt (Ø5/16"X3-1/2")	8pcs
B		Flat washer (Ø28x14.5x7.5)	8pcs
C		Hex Nut (Ø5/16")	8pcs
D		Ø5/16" Wrench(12mm)	1pc
E		Wood screw Ø8x1-1/4"	8pcs

PARTS LIST:

① 	② 	③ 	④ 	⑤
HEADBOARD: 1PC	FOOTBOARD: 1PC	SIDE RAIL: 2PCS	SLATS : 3PCS	SUPPORT LEGS: 3PCS



CLEANING INSTRUCTION

Clean the surface of the Queen bed with furniture polish and a soft cloth.

Attention

*** Some number parts listed on the instruction sheet may not be in parts bag as they may be assembled. Carefully check parts and packing materials prior to ordering replacements.***