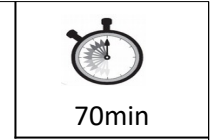
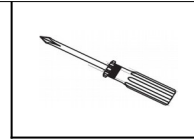
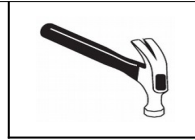


Desk/ Dresser



Thank you for choosing this furniture.

PLEASE RETAIN PACKAGING UNTIL YOU HAVE COMPLETED ASSEMBLY.

Information about your furniture.

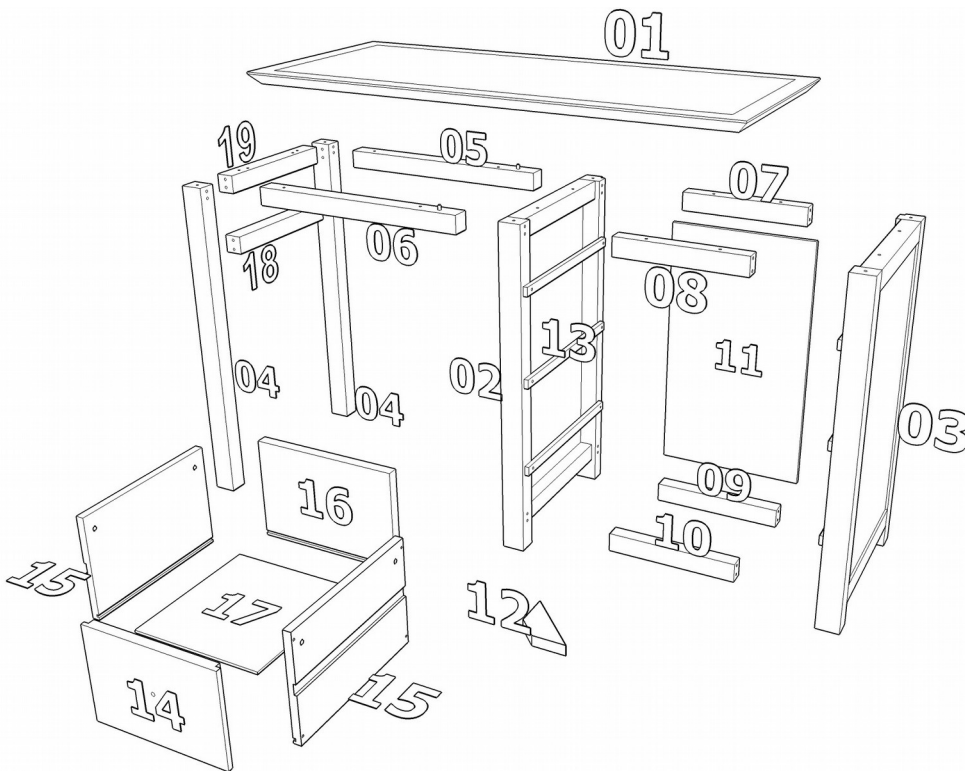
Our furniture ranges have been carefully crafted from solid wood and natural wood veneers. Each piece of furniture has unique characteristics such as knots, variances and graining. These are part of the natural character of the furniture itself.

Caring for your furniture.

Extreme temperature can cause slight movements in the wood itself so please avoid placing your furniture close to radiators or other direct sources of heat. Humidity should also be avoided. Please avoid exposing your furniture to continued bright sunlight as it can affect the colour. Any fluid should be removed as quickly as possible. Always lift your furniture when moving, as dragging can cause damage to your furniture or flooring. Extreme changes in temperature & humidity during transit may result in a powder residue forming so silica gel bags have been included to alleviate this natural occurrence. This residue is harmless and can easily be removed before assembly with a damp cloth and mild detergent.

After care.

Wipe the surfaces with a dry cloth and an occasional use of normal household polish. We also recommend you use household spray polish occasionally on the drawer grooves and runners as this will aid use. Please do not use detergents or chemicals on your furniture.



**A = x42
Dowel**



**B = x30
40mm Screw**



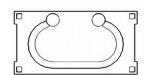
**C = x48
25mm Screw**



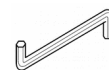
**D = x16
Nail**



**E = x2
Large Screw**



**F = x3
Handle**

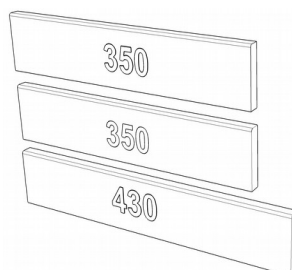


**H = x1
Allen Key**



**G = x6
Bolt**

Additional parts - only applied to model with skirting board

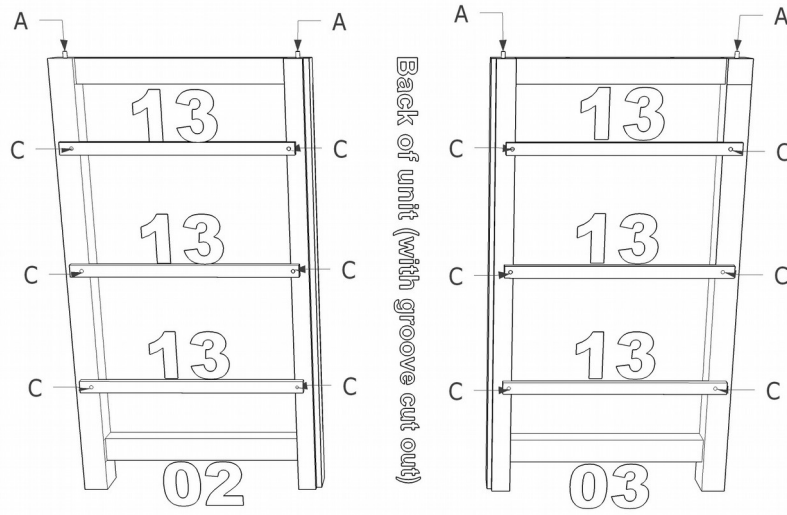


**B = x2
40mm Screw**



**N = x4
60mm Screw**

1

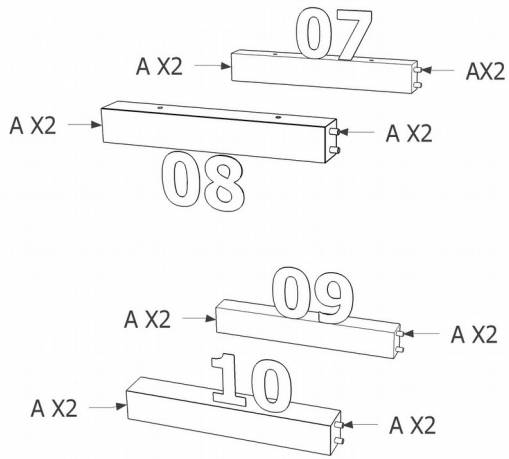


A = x4
Dowel



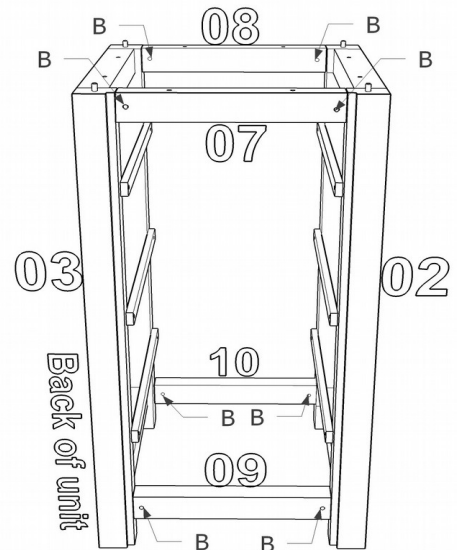
C = x12
25mm Screw

2



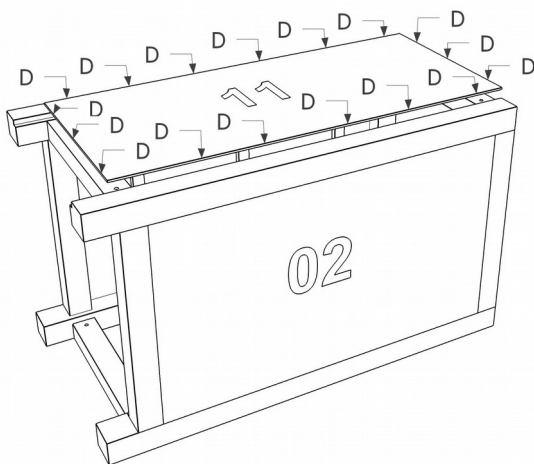
A = x16
Dowel

3



B = x8
40mm Screw

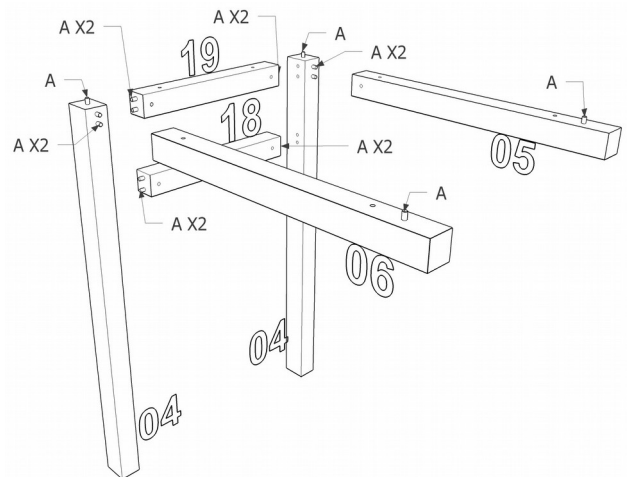
4



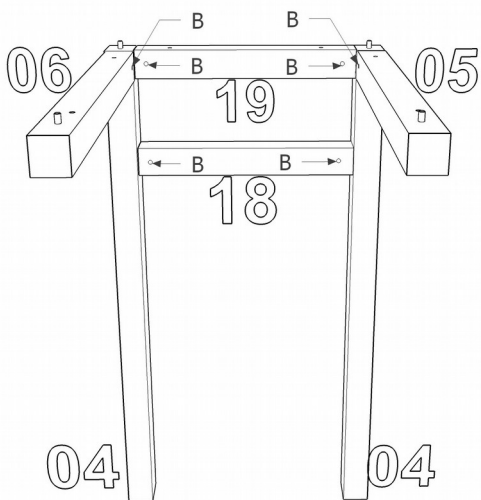
D = x16
Nail

Tip: during assembly
place unit onto a work
surface with a clean cover

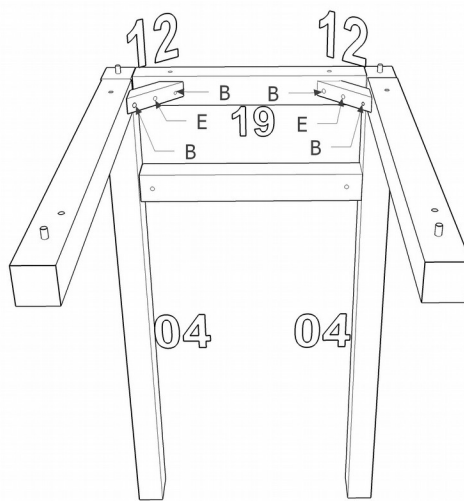
5



A = x16
Dowel

6

B = x6
40mm Screw

7

B = x4
40mm Screw



E = x2
Large Screw

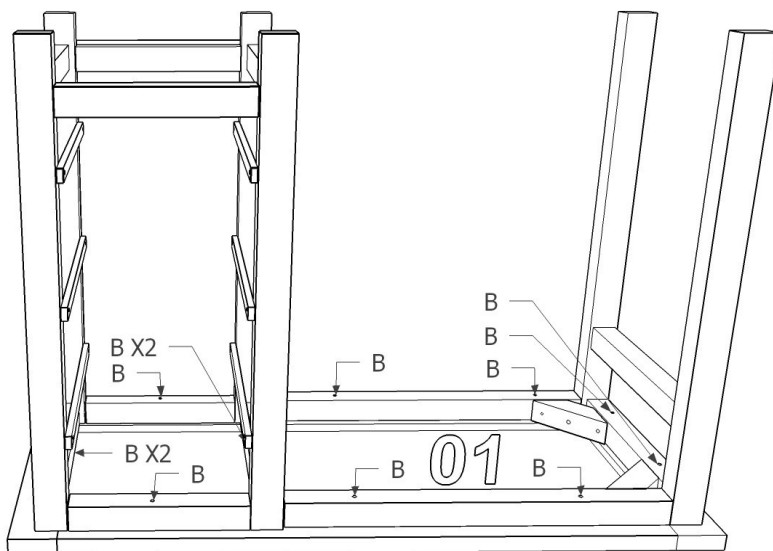


H = x1
Allen Key

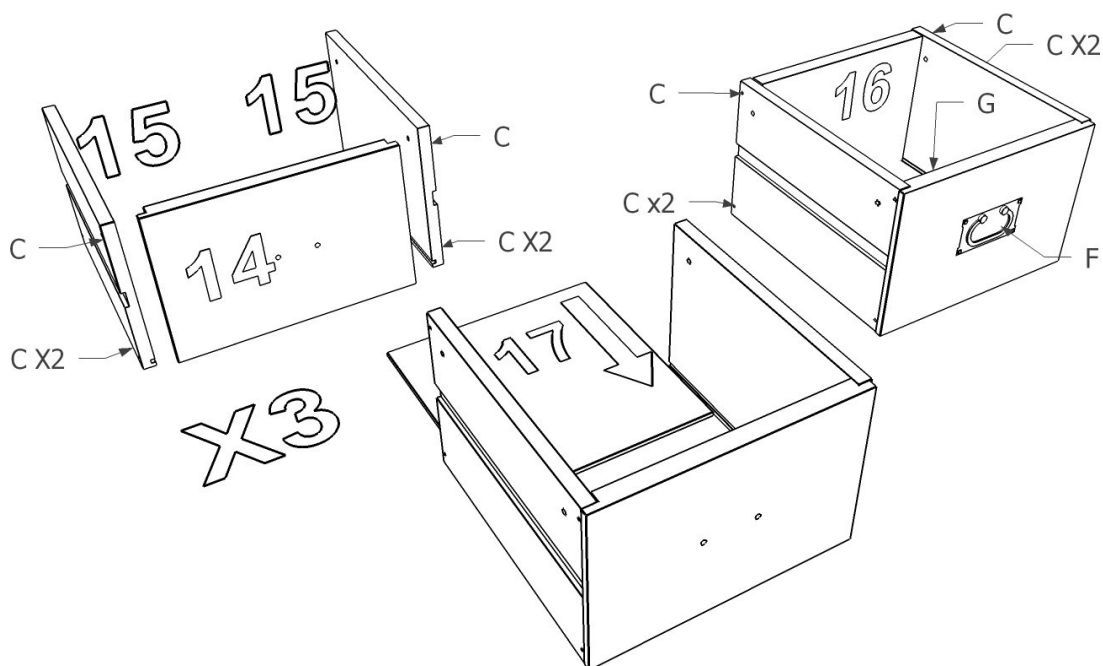
8

Tip: during assembly
place unit onto a work
surface with a clean cover

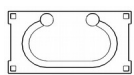
Note: drawer pedestal can
be turned around
allowing it to be positioned
on the left or on the right of
assembled desk/dressing table



B = x12
40mm Screw

9

G = x6
Bolt



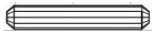
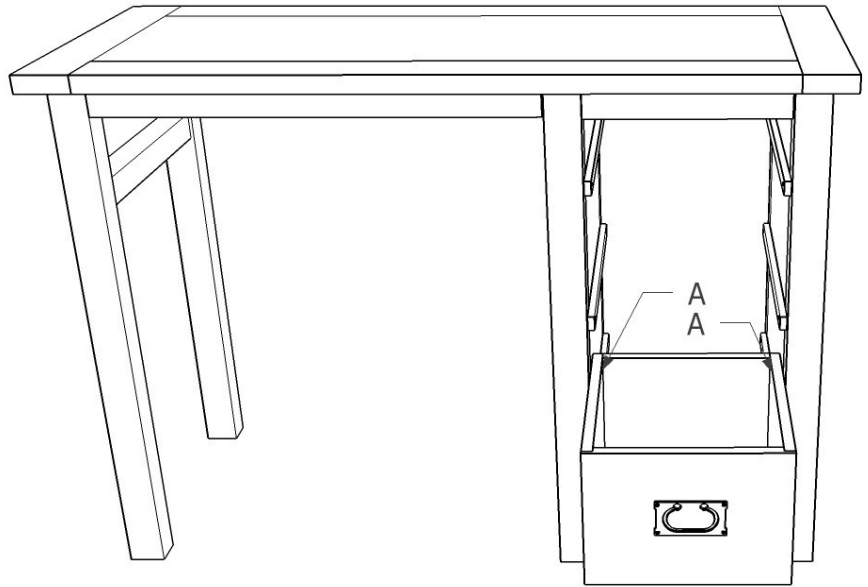
F = x3
Handle



C = x36
25mm Screw

10

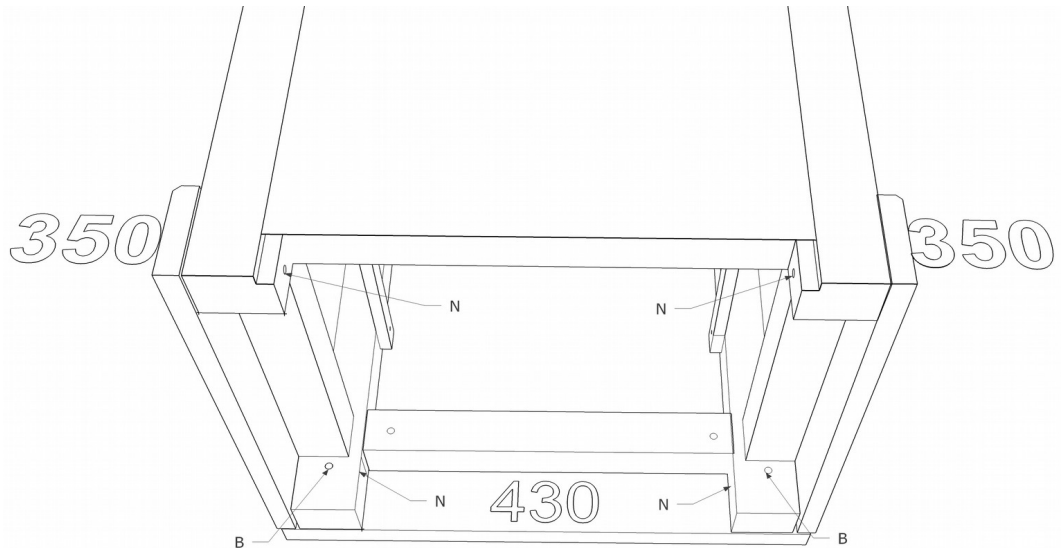
Tip: insert dowels from the inside of the drawers, pushing through so they sit level with the inside of the drawer side.
Repeat for all drawers



A = x6
Dowel

Extra step only applicable for model with a skirting board

11



B = x2
40mm Screw



N = x4
60mm Screw

WARNING! TIPPING HAZARD – Unanchored furniture can tip over

WARNING: CHECK FOR HIDDEN PIPES AND CABLES BEFORE DRILLING.

IMPORTANT: IF YOUR WALLS ARE NOT SOLID LIKE BRICK OR STONE, YOU WILL REQUIRE SPECIALIST FITTINGS (NOT SUPPLIED)

- Attach fixing strip to the wall using the 25mm screw + washer and securely tighten;
- Pre-drill small pilot hole on the back edge of the furniture top using a 2mm drill bit. Attach the other end of the fixing strip to the back edge of the furniture top using the 15mm screw + washer and securely tighten.
- Place fixing strip against the wall and mark position for drilling hole.
- Drill hole in your wall to a depth of 30mm using a 6mm drill bit. If the surface of your wall is soft and crumbly, we would advise you to use a 5mm drill bit for a tighter fit.
- Insert plug into hole with end flush to the wall surface;

12



**C = x1
25mm Screw**



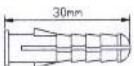
**X = x1
15mm Screw**



**Z = x2
Washer**



**Y = x1
Wall Tie**



**W = x1
Wall Plug**

WALL

