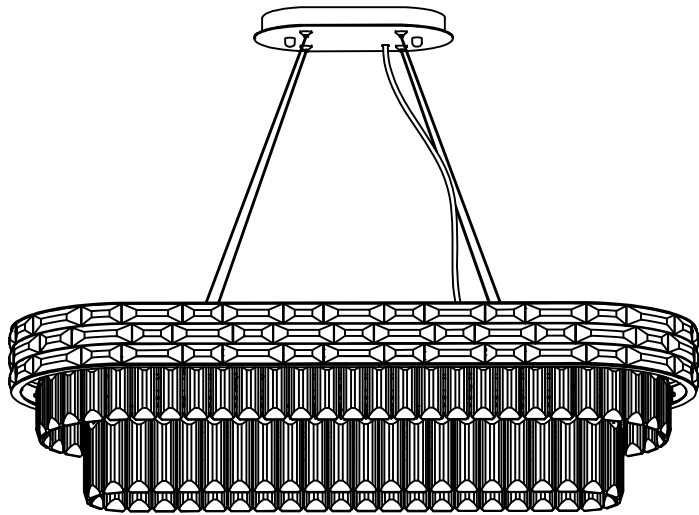


MANUAL BOOK



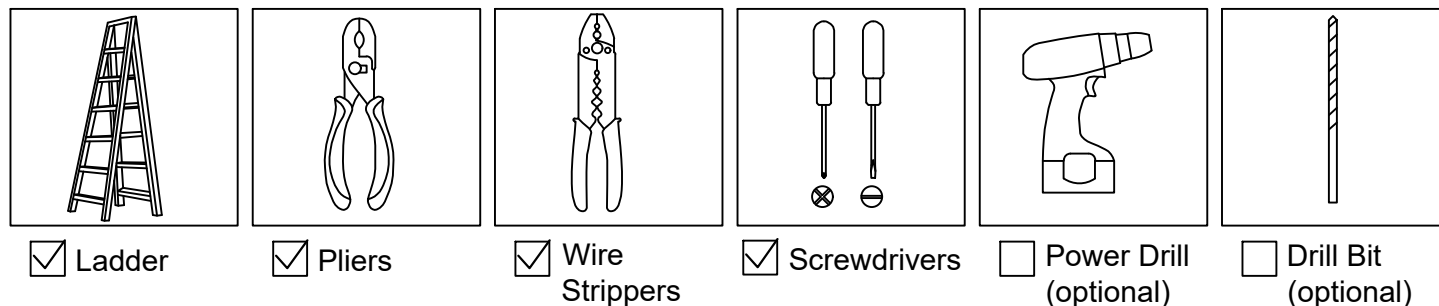
MAIN SPECIFICATIONS

| | |
|----------------|-----------------------------|
| Type | Chandelier |
| Fixture Size | L34.5",W12 ",H8.7 " |
| Hanging Chain | Max.78" |
| Weight | Appr.28 LBS |
| Bulbs Required | 12 E12 Bulbs (not included) |
| Wattage | Max.60W per Bulb |
| Voltage | 110V-130V |

PREPARATION

- Check if the packaging is complete and remove all accessories from the packaging
- Refer to the accessory list on pages 3 and 4, verify and familiarize with the parts. **Easily fragile/damaged/lost parts come with spare parts to ensure a smooth installation**
- If dimming function is required, please purchase suitable dimming bulbs and matching dimming switches
- Assembly will take time, especially for hanging crystals which is inevitable for most chandelier installations. Please be patient
- Please wear gloves for installation

Tools You Need



If mounting to a support structure, you will also need the optional tools.

WARNING/CAUTION

WARNING:FOR YOUR PROTECTION AND SAFETY-Carefully read and understand the information given in this manual before beginning assembly and installation.Failure to do so could lead to electric shock,fire or other injuries.PRODUCT MUST BE INSTALLED BY A PERSON FAMILIAR WITH THE CONSTRUCTION AND OPERATION OF THE PRODUCT AND THE HAZARDS INVOLVED IN ACCORDANCE WITH THE APPLICABLE INSTALLATION CODE.

BE SURE THE ELECTRICITY TO THE WIRES YOU ARE WORKING ON IS SHUT OFF;EITHER THE FUSE IS REMOVED OR THE CIRCUIT BREAKER IS TURNED OFF.TURNING THE POWER OFF USING THE LIGHT SWITCH IS NOT SUFFICIENT TO PREVENT ELECTRICAL SHOCK.

NOTE:The important safeguards and instructions appearing in this manual are not meant to cover all possible conditions or situations that may occur.It must be understood that common sense,caution,and care,are factors which cannot be built into any product.These factors must be supplied by the person(s) installing this unit.

READ & SAVE THESE INSTRUCTIONS

CAUTION:Before assembling the lighting fixture,refer to the section titled Wiring Connections.If you feel you do not have enough electrical wiring experience,either refer to a do-it-yourself wiring handbook or have your lighting fixture installed by a qualified,licensed electrician.

LIGHT BULBS REQUIRED

This fixture uses E12 bulb base, works with incandescent,LED,CFL,halogen or color changing bulbs up to 60W. Fully dimmable when used with dimmable bulbs and a compatible dimmer switch(not included).

Due to different requirements,in order to avoid waste,**BULBS ARE NOT INCLUDED IN THIS ITEM.**Please purchase the right bulbs you need.

12 pieces E12 bulbs are required for this light fixture.

Trouble Shooting

1.Missing/Broken Parts

·Make a list of the missing/broken parts according to the packing list,take photos for broken parts,then email us for free replacements.(If spare parts in package is still insufficient)

2.Bulbs Do Not Light Up

- Check your power and switch to make sure it's power on.
- Check the bulb to make sure it's installed correctly.
- Change a new bulb.
- Check the wires to make sure they are connected correctly.

3.Bulbs Flicker/Noisy Operation

- Check the bulb to make sure it's installed correctly.
- Change a new bulb.
- Make sure your bulb is dimmable if you use a dimmer switch.

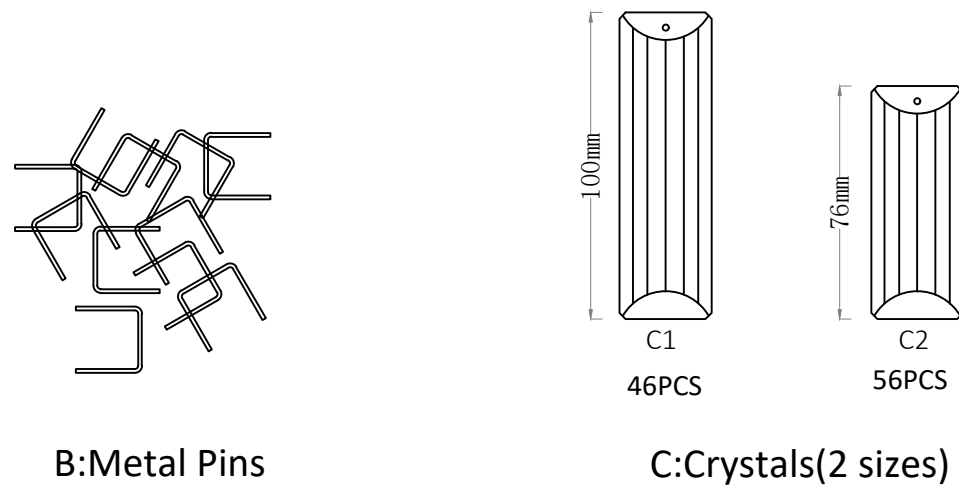
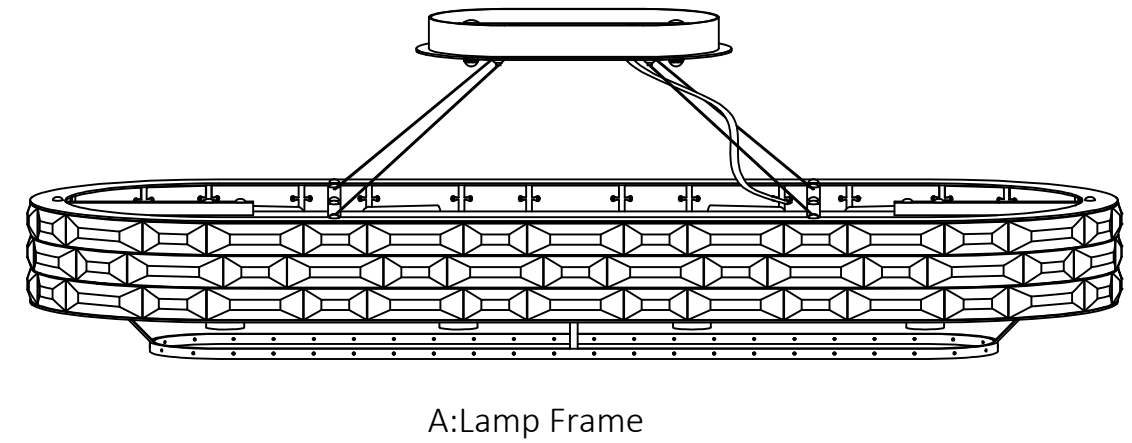
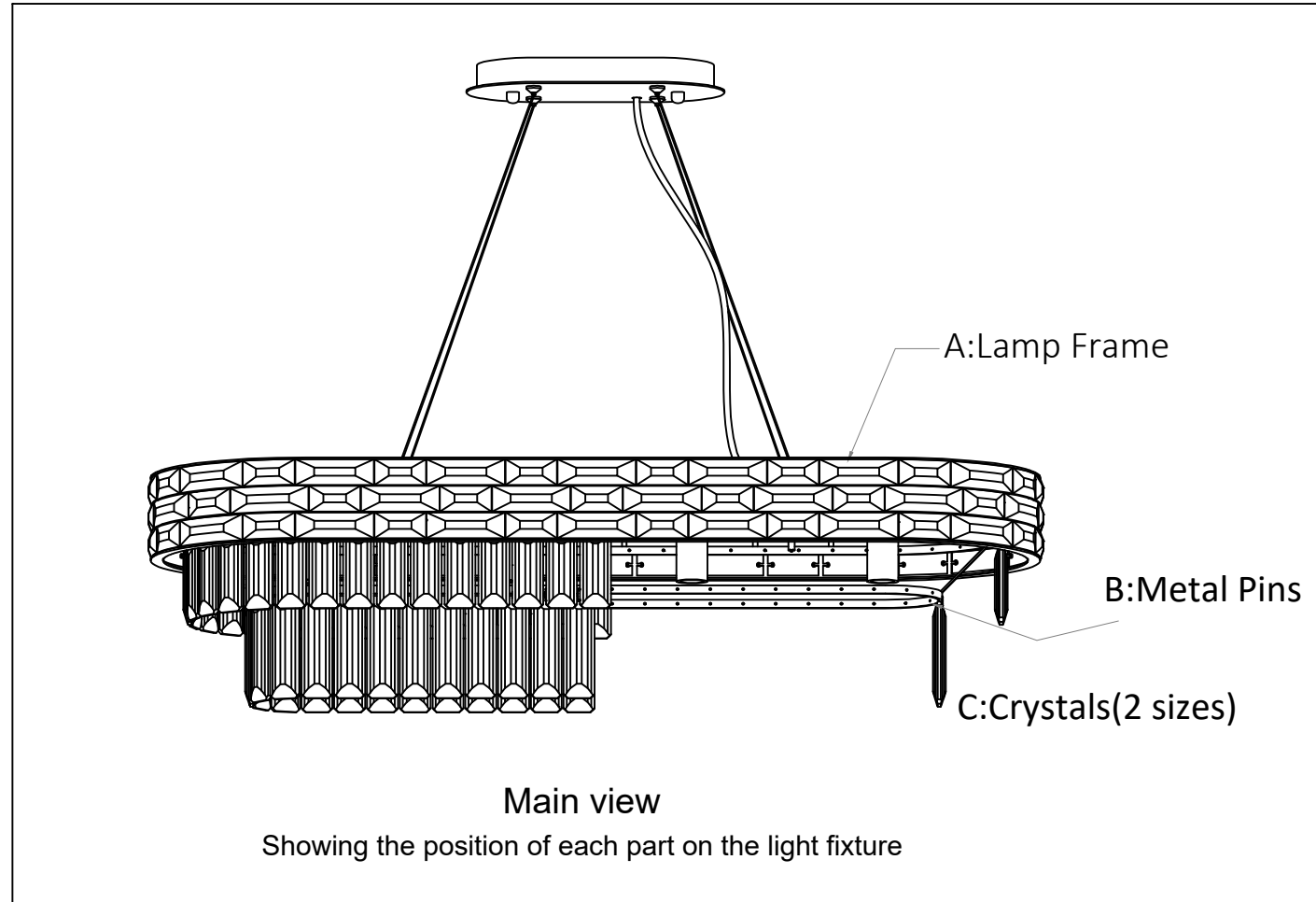
4.Could Not Install/Assemble

- Take photos of the ceiling/fixture,contact seller for technical support.

Trouble Shooting

To clean,wipe fixture with soft cloth.Spray from chemical cleaners can discolor the finish of fixture.Do not use scouring pads,powders,steel wool or abrasive paper to clean this fixture.

Check the contents to be sure everything is included



OTHERS

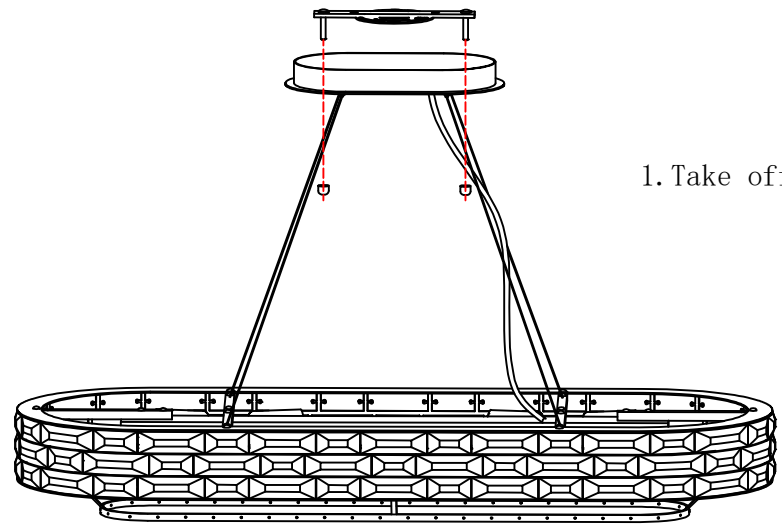
- Main Spare parts
 Parts C1(5 pcs),Parts C2(5 pcs)
- White gloves(1 pair)
- Fittings bag(1 bag,Screws and other small accessories)
- Installation manual(1 set)

CRYSTAL LIST

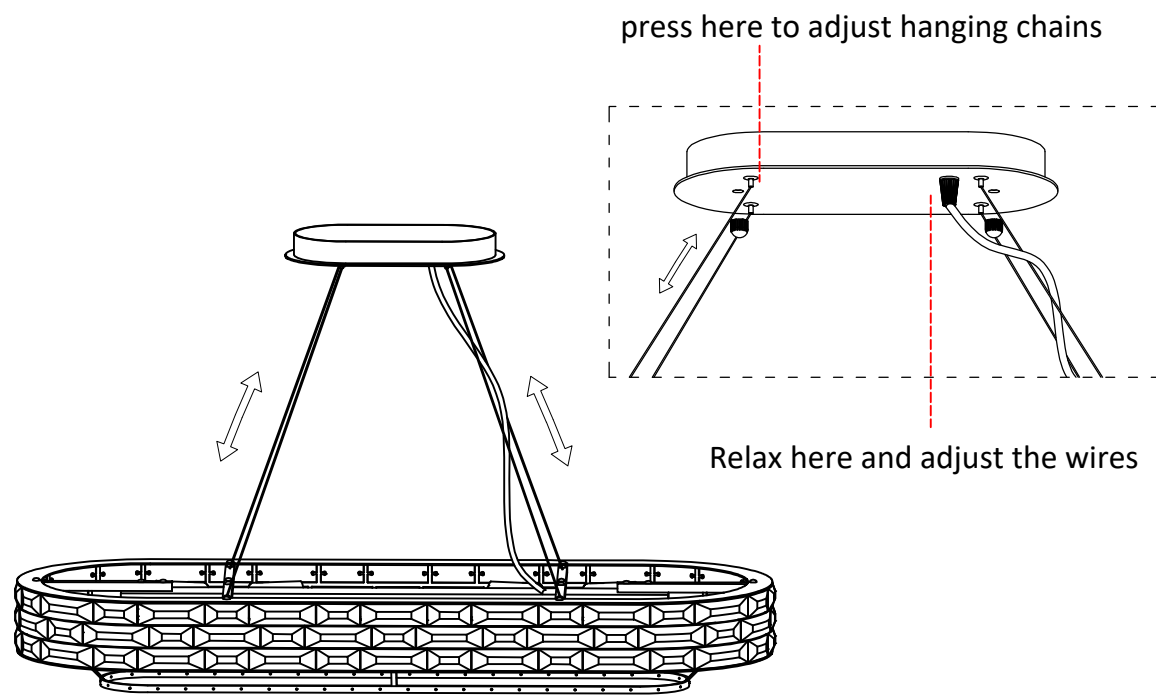
Showing style and quantity of crystals(You need to connect the crystal pendants by yourself)

FIXTURE INSTALLATION

1. Adjustment of Hanging Chain



1. Take off the mounting bracket from ceiling canopy

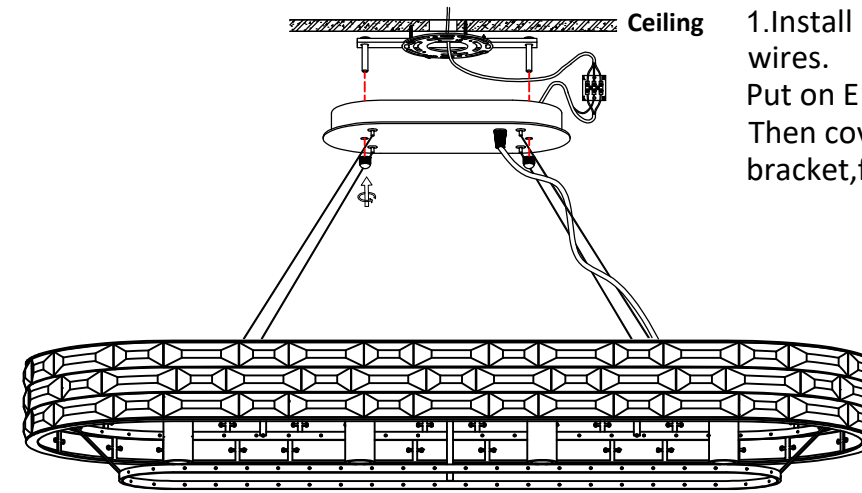


press here to adjust hanging chains

Relax here and adjust the wires

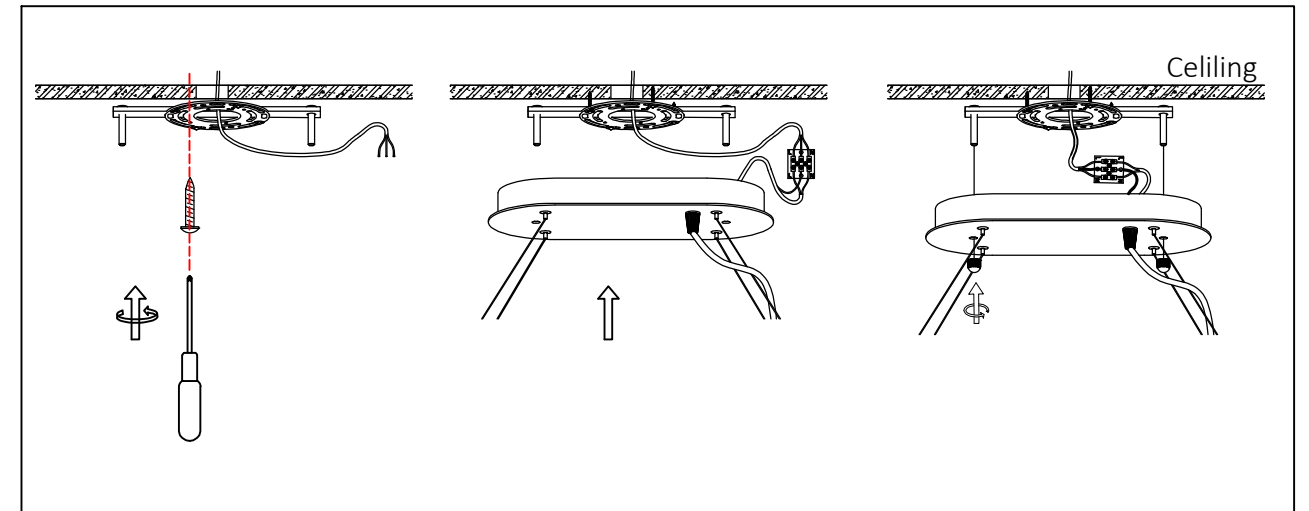
2. Adjust the length of hanging chains and wires as needed. and level the lamp frame.

2. MOUNTING & WIRING (⚠ Shut off main power at the circuit breaker or fuse panel before installation)



Ceiling

1. Install mounting bracket on ceiling, connect wires.
Put on E12 bulbs and power-on test.
Then cover the ceiling canopy on mounting bracket, fix it with decorative nuts.



Ceiling

① Install mounting bracket on ceiling (Please ensure that the load-bearing capacity of the ceiling meets the requirements)

② Connection wires

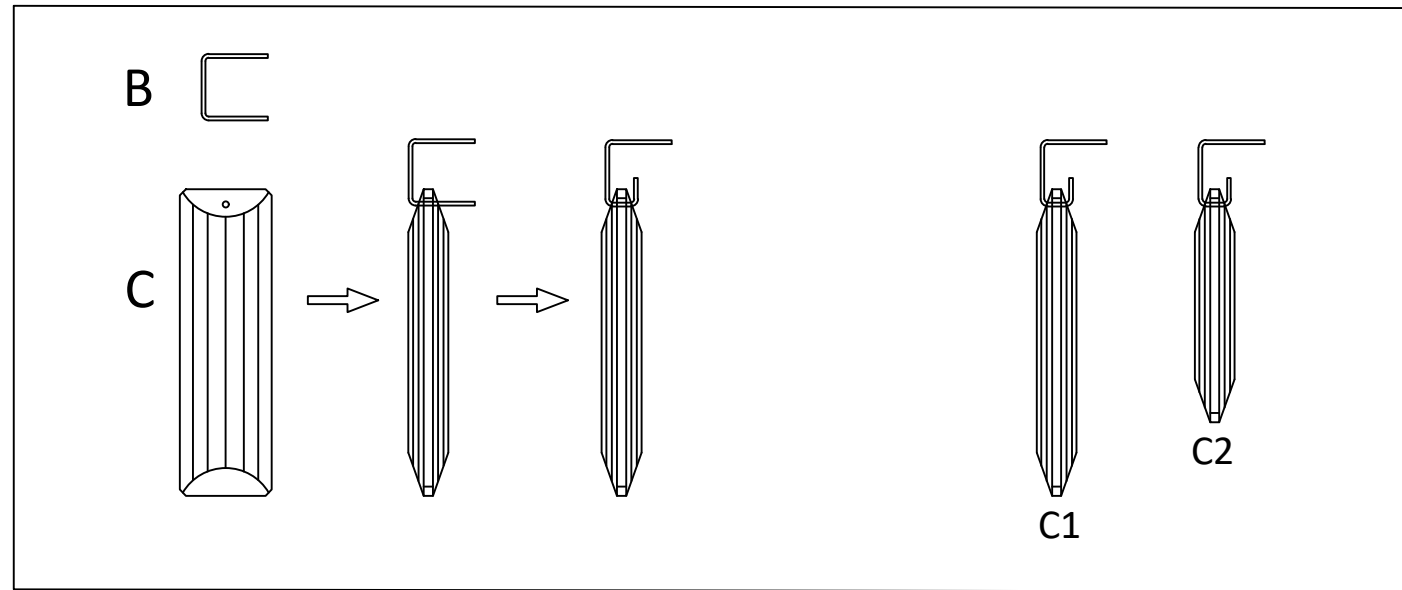
(The two branch lines on the transparent main line are respectively designated as L line and N line, without strict distinction, and bare copper wire is used as the ground wire)

③ Cover the ceiling canopy on mounting bracket, then fix it with nuts.

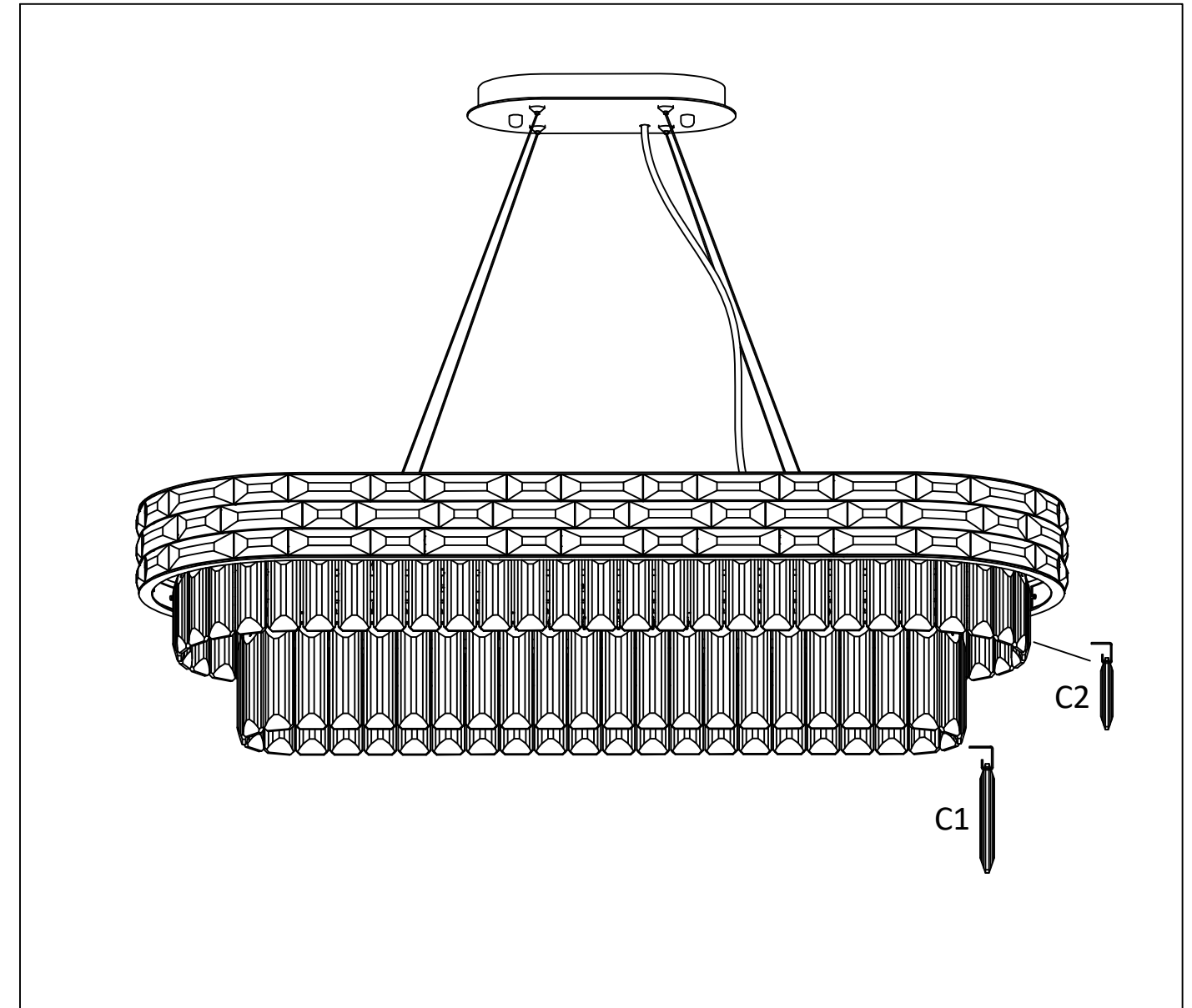
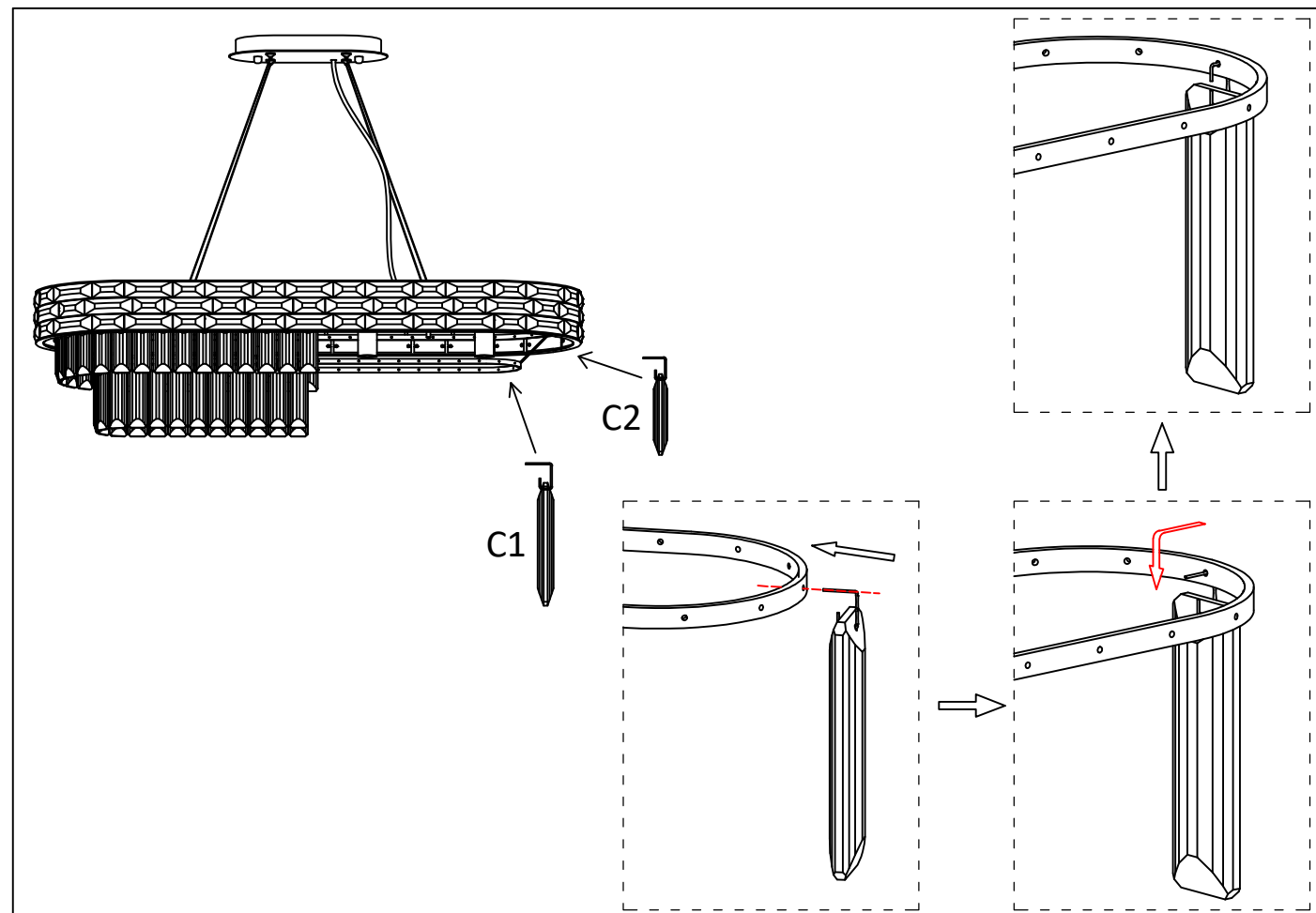
FIXTURE INSTALLATION

3.Hanging Crystals

(This step will take long time,please be patient,you are about to complete a great project.)



1. Connect crystals with metal pins, arrange according to the diagram (C1 on the bottom metal frame, C2 on the top metal frame)



3. Hang all the crystals in sequence as shown.

We provide 24-hour customer service, and any questions you have will be answered within 24 hours, if you have any questions or problems, please feel free to contact us, your order ID and details are needed so that our customer service will help you more quickly and accurately! Have a nice day!