

KING BED ASSEMBLY INSTRUCTION

Thank you for purchasing this quality product. Be sure to check all packing material carefully for small parts which may have come loose inside the carton during shipment. Separate, identify and count all parts and hardware. Compare with the parts list to be sure all parts are present.

IMPORTANT : PLEASE READ INSTRUCTION BEFORE STARTING THE ASSEMBLY.

"DO NOT TIGHTEN SCREWS UNTIL COMPLETELY ASSEMBLED"

"DO NOT OVERTIGHT ANY HARDWARE"

WARNING : SMALL PARTS AND HARDWARE NOT FOR CHILDREN UNDER 3 YEARS. ADULT ASSEMBLY REQUIRED.

TABLE OF CONTENTS

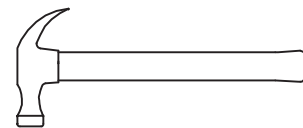
HARDWARES LIST	PAGE 2
PARTS LIST	PAGE 3 - 5
PARTS' LOCATION	PAGE 6
ASSEMBLY STEPS	PAGE 7 - 17
ASSEMBLY COMPLETED	PAGE 17

ASSEMBLY TOOLS REQUIRED

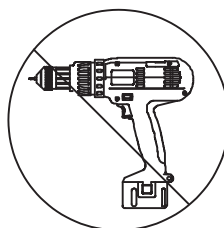
1. Screwdriver (not provide)



2. Hammer (not provide)

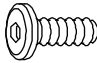

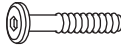







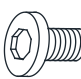






Skip the power drill this time.













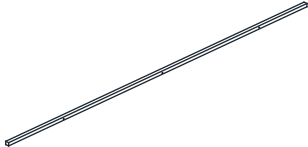
KING BED ASSEMBLY INSTRUCTION

HARDWARES LIST

ITEM	DESCRIPTION	DRAWING	QTY
A	JCBB SCREW M8 x 20MM		14 PCS
B	JCBC SCREW M6 x 15MM		8 PCS
C	JCBC SCREW M6 x 35MM		34 PCS
D	SPRING WASHER M6 x 12MM		32 PCS
E	BENT WASHER M6 x 19MM		16 PCS
F	FLAT WASHER M6 x 19MM		16 PCS
G	M4 ALLEN KEY (100MM)		1 PC
H	M5 ALLEN KEY (65MM)		1 PC
I	SUPPORT LEG ADJUSTABLE FEET		8 PCS
J	NUT		40 PCS
K	JCBB SCREW M5 x 11MM		40 PCS
L	JCBC SCREW M6 x 15MM		20 PCS
M	M4 ALLEN KEY (100MM)		1 PC
N	M3 ALLEN KEY (50MM)		1 PC
O	SPANNER		1 PC

KING BED ASSEMBLY INSTRUCTION

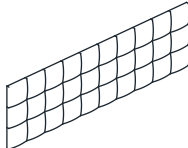
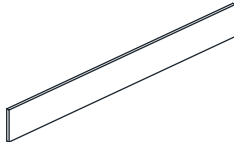
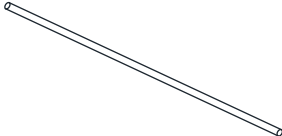
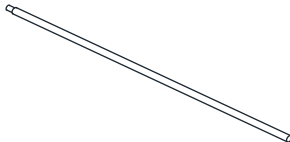
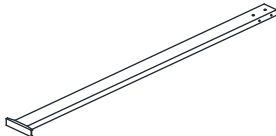
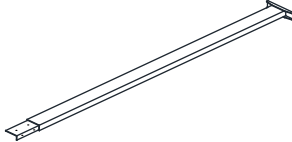
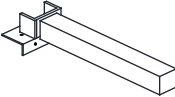
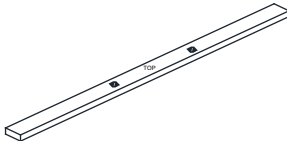
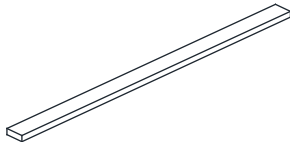
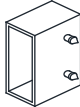
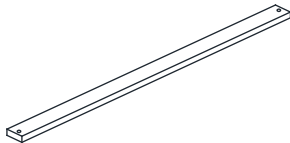
PARTS LIST

ITEM	DESCRIPTION	DRAWING	QTY
1	HEADBOARD POST 1 (UPPER)		1 PC
2	HEADBOARD POST 2 (LOWER)		1 PC
3	HEADBOARD POST 3 (UPPER)		1 PC
4	HEADBOARD POST 4 (LOWER)		1 PC
5	FOOTBOARD POST 5 (UPPER)		1 PC
6	FOOTBOARD POST 6 (LOWER)		1 PC
7	FOOTBOARD POST 7 (UPPER)		1 PC
8	FOOTBOARD POST 8 (LOWER)		1 PC
9	FINIALS		4 PCS
10	SUPPORT RAIL (1)		2 PCS
11	SUPPORT RAIL (2)		4 PCS

MORE PARTS DETAIL IN NEXT PAGE...

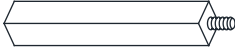
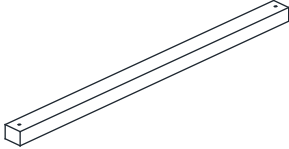
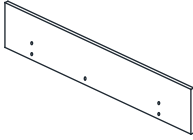


KING BED ASSEMBLY INSTRUCTION

PARTS LIST

ITEM	DESCRIPTION	DRAWING	QTY
12	HEADBOARD		1 PC
13	FOOTBOARD		1 PC
14	SUPPORT RAIL (3)		2 PCS
15	SUPPORT RAIL (4)		2 PCS
16	SIDE RAIL		2 PCS
17	SIDE RAIL		2 PCS
18	SIDE RAIL LEG		2 PCS
19	SLAT WITH NUT		4 PCS
20	SLAT		8 PCS
21	SOCKET		24 PCS
22	CENTER SUPPORT RAIL		1 PC

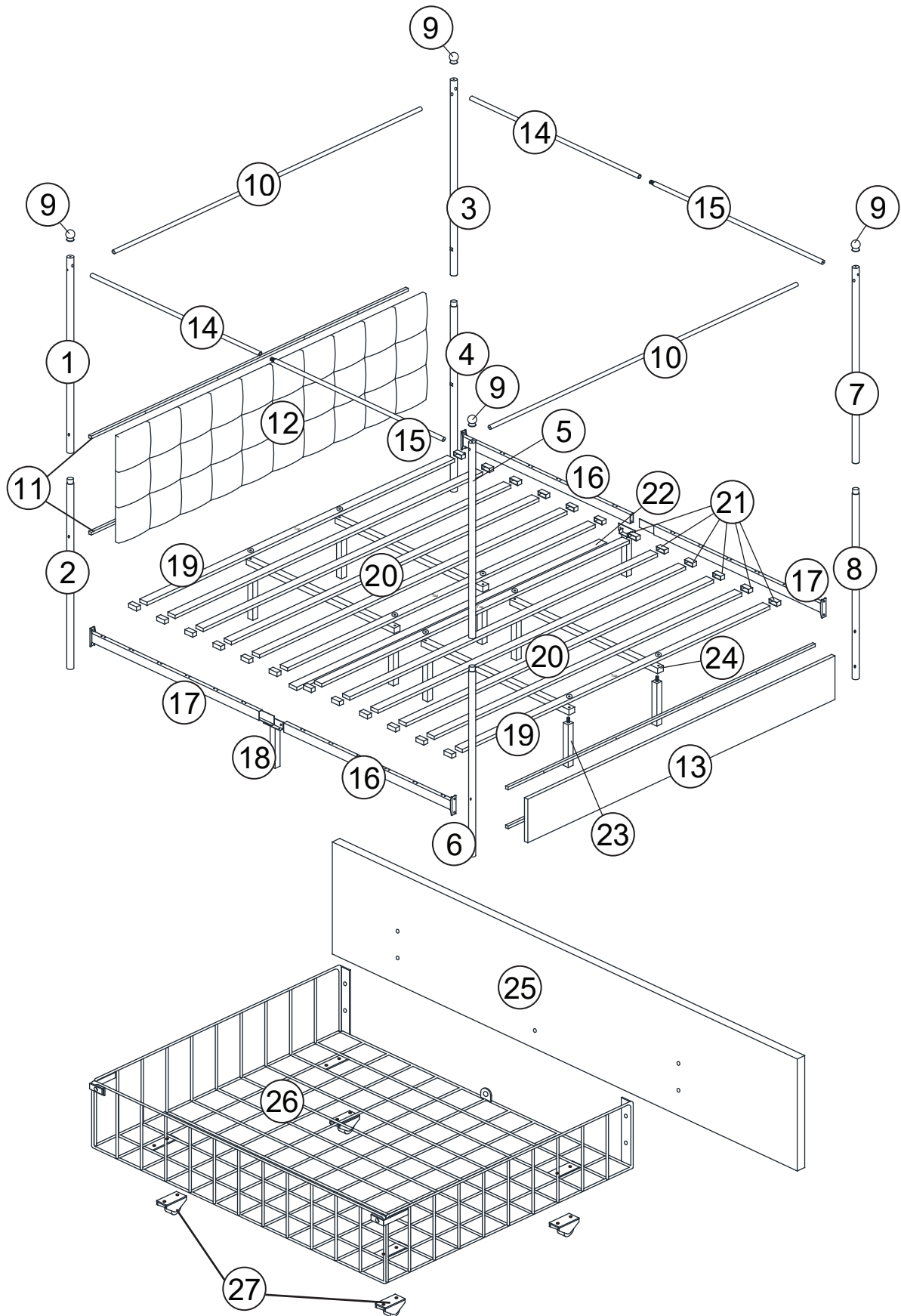
KING BED ASSEMBLY INSTRUCTION

PARTS LIST

ITEM	DESCRIPTION	DRAWING	QTY
23	SUPPORT LEG WITH HANGER BOLT		8 PCS
24	CENTER SUPPORT		4 PCS
25	DRAWER PANEL		4 PCS
26	DRAWER		4 PCS
27	CASTOR		16 PCS

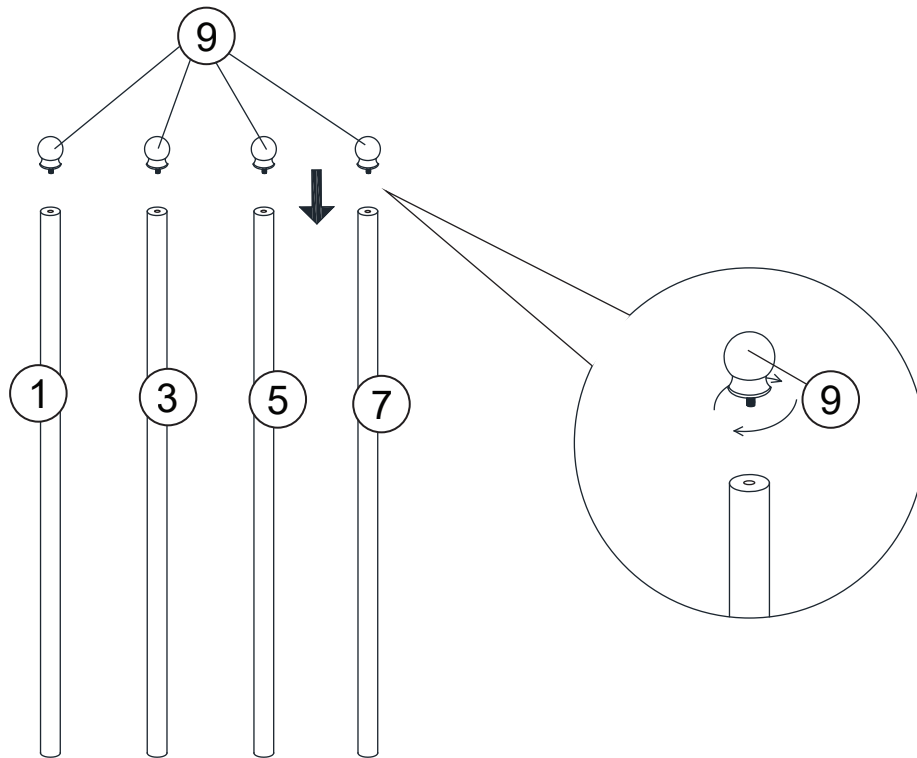
KING BED ASSEMBLY INSTRUCTION

PARTS ' LOCATION

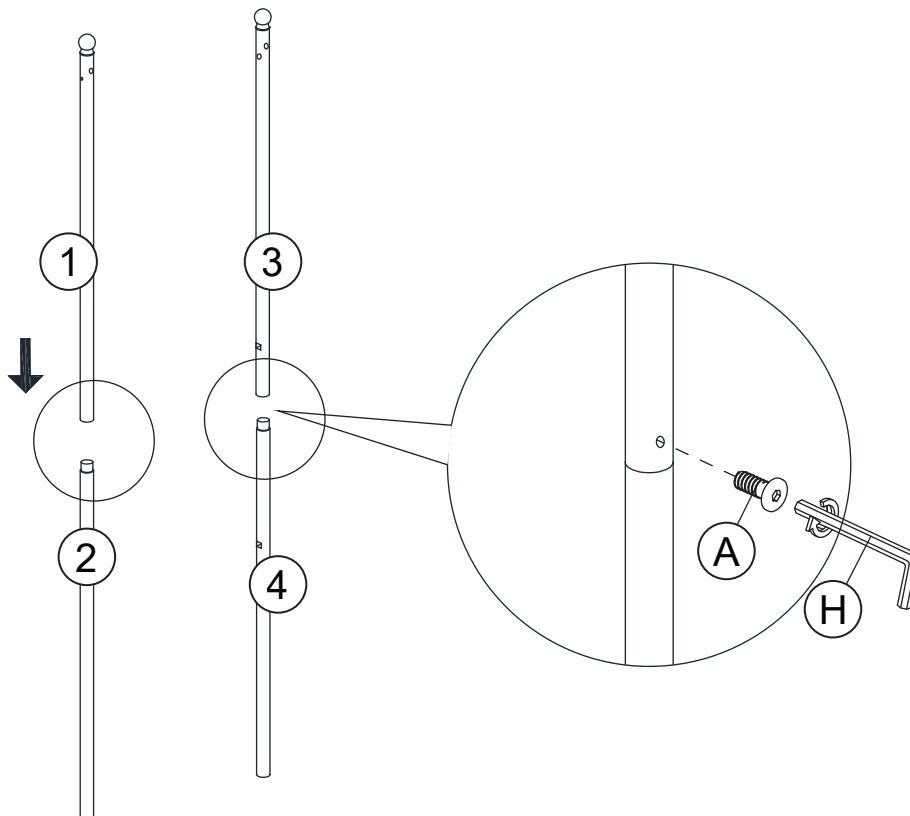


KING BED ASSEMBLY INSTRUCTION

STEP 1

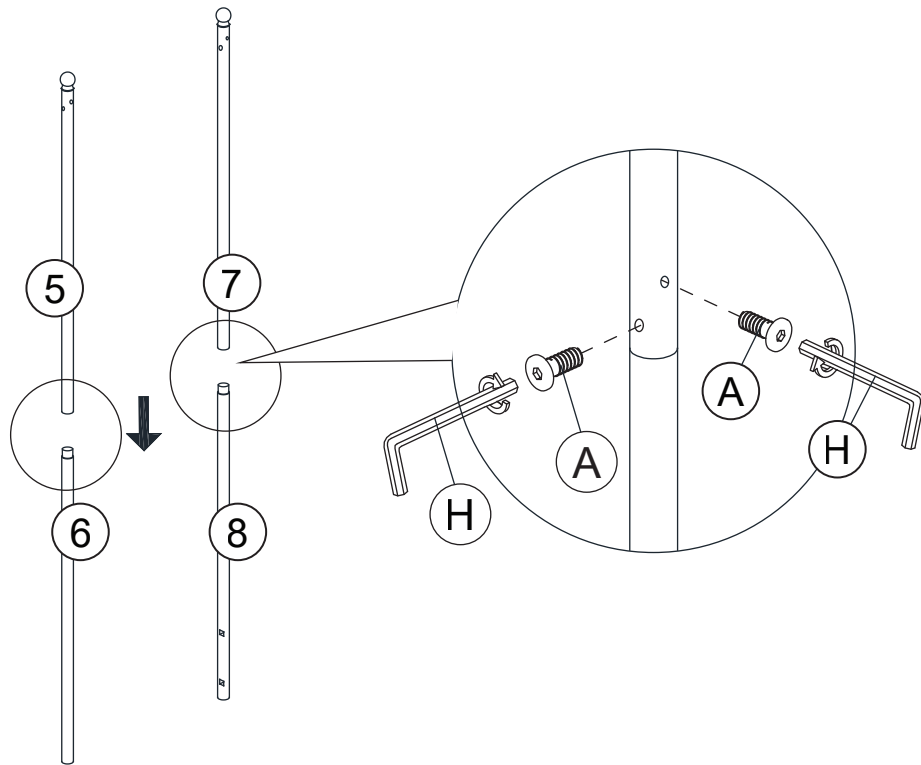


STEP 2 HEADBOARD

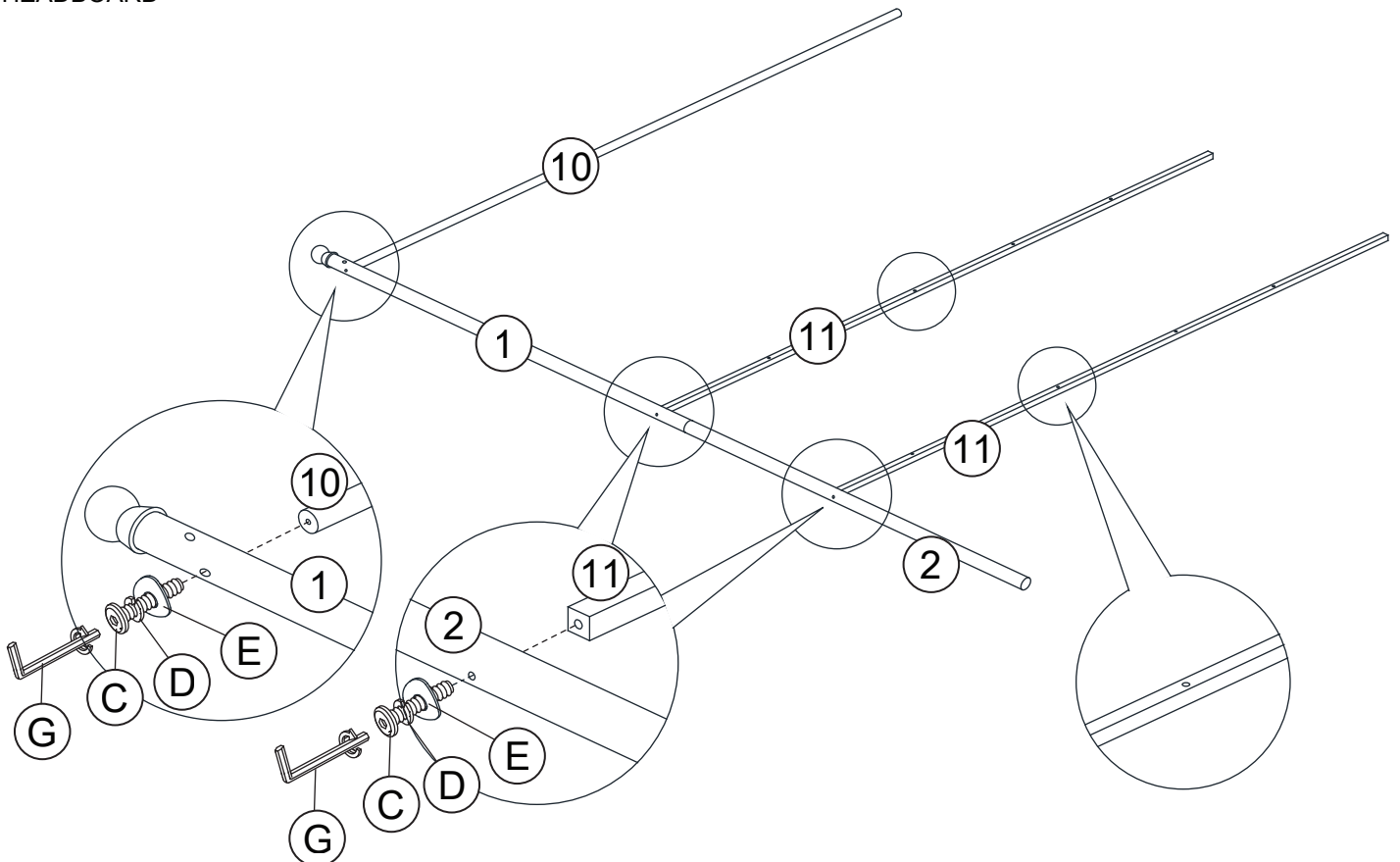


KING BED ASSEMBLY INSTRUCTION

STEP 3 FOOTBOARD

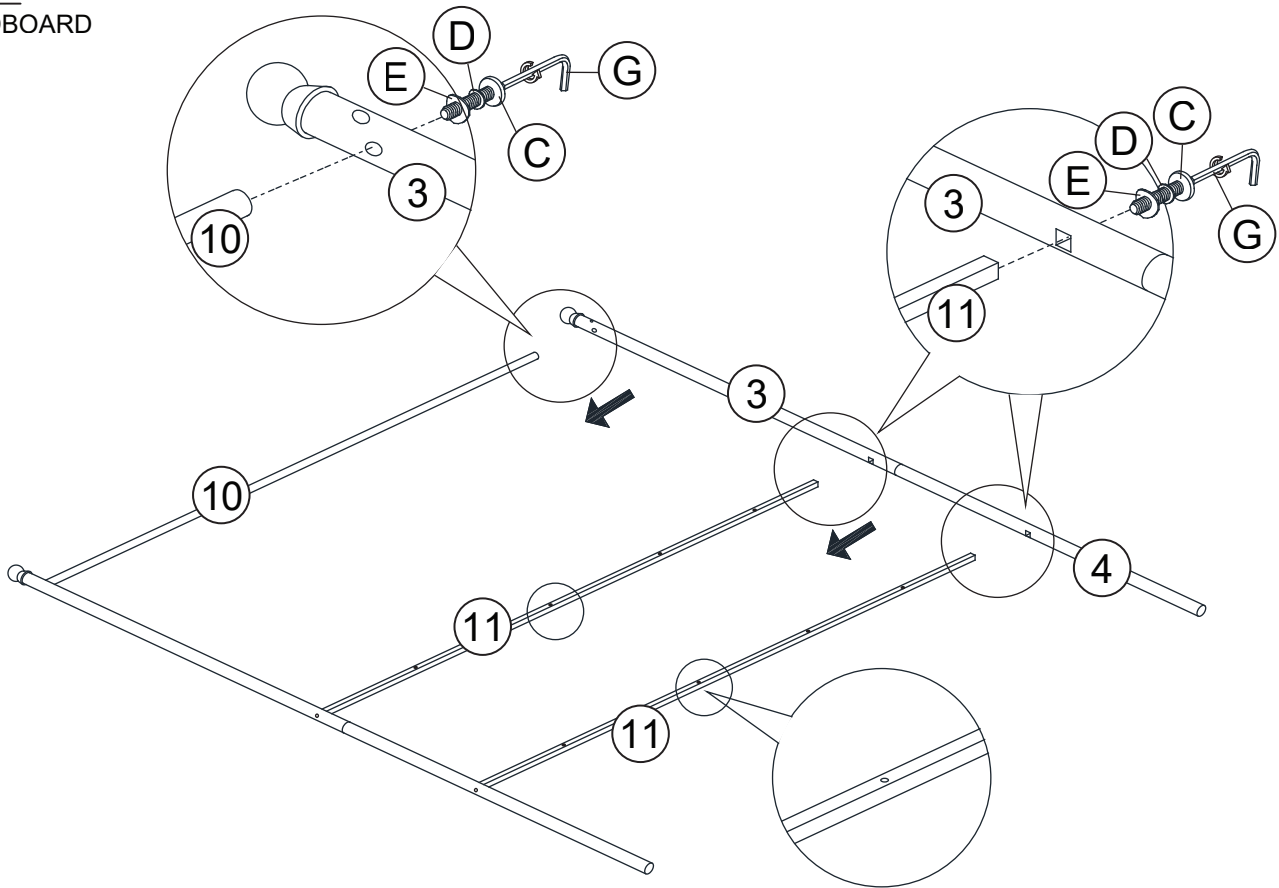


STEP 4 HEADBOARD

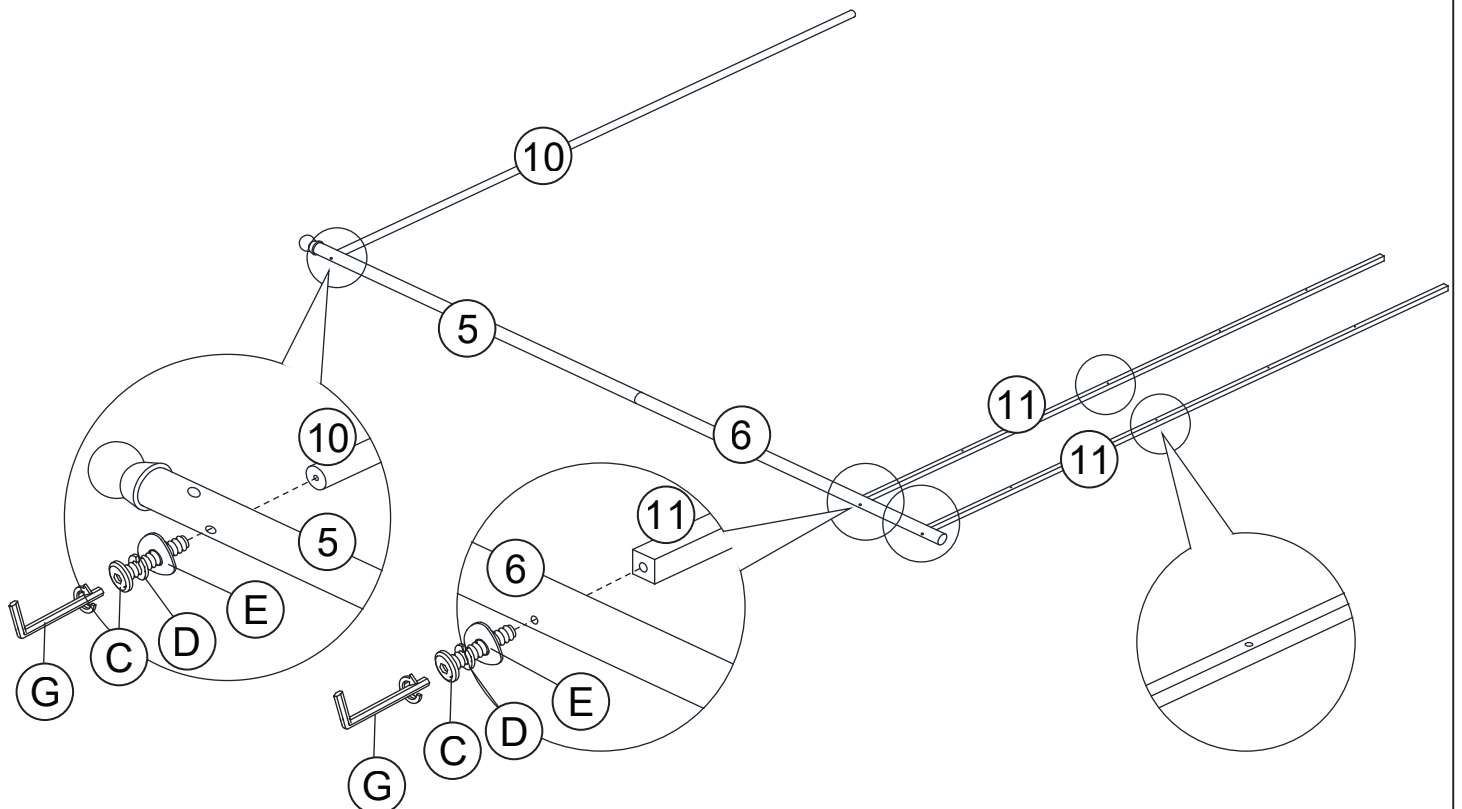


KING BED ASSEMBLY INSTRUCTION

STEP 5 HEADBOARD

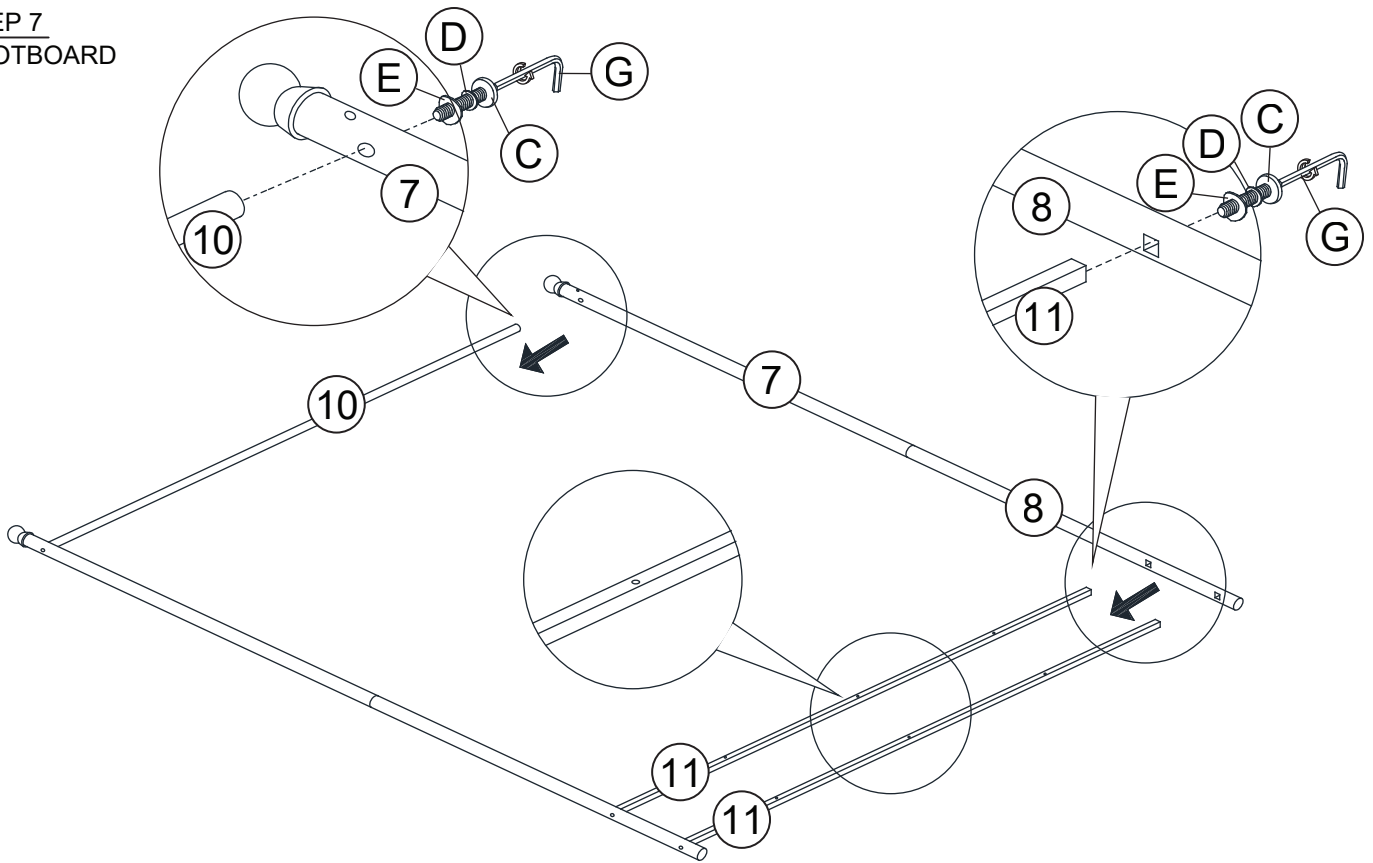


STEP 6 FOOTBOARD

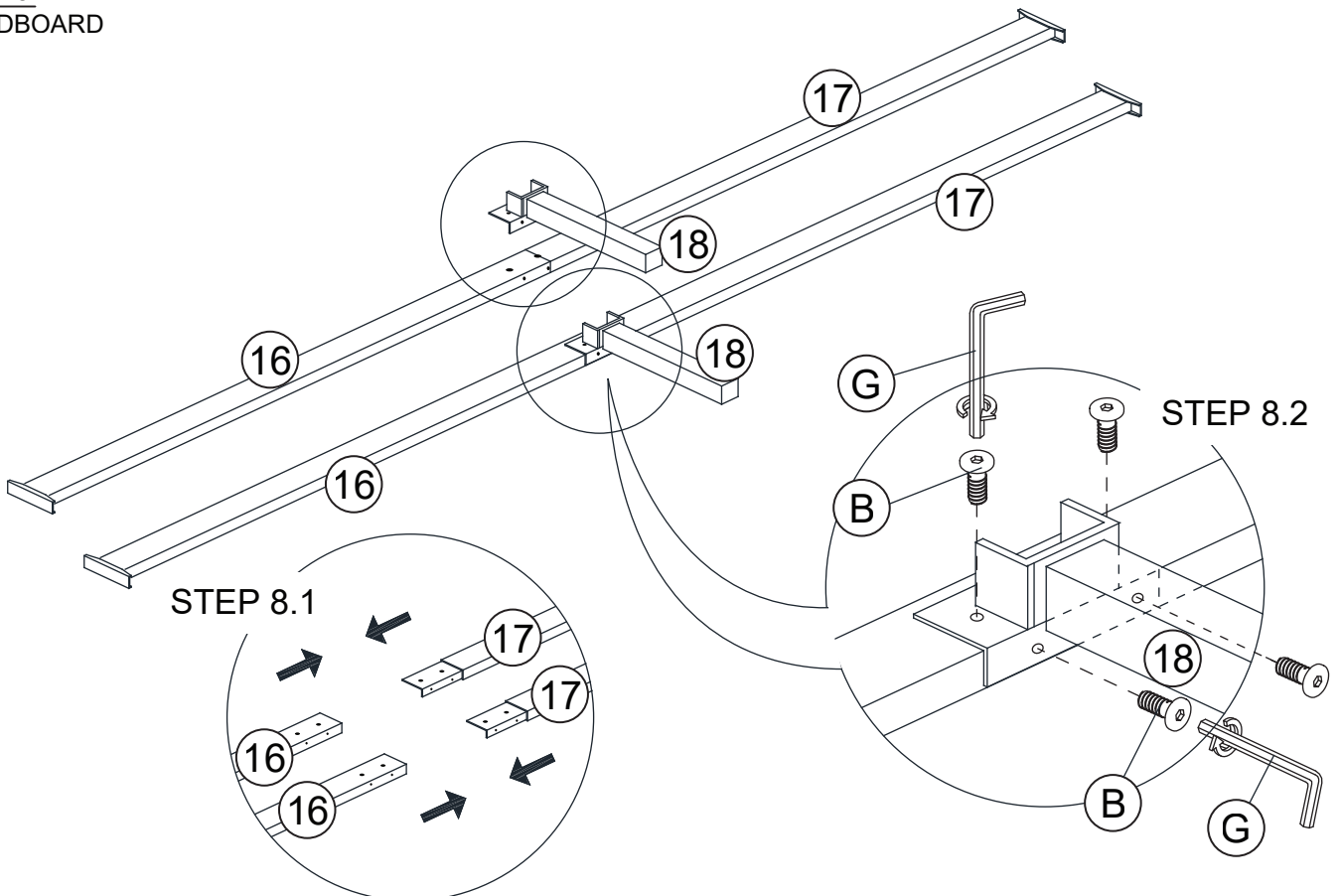


KING BED ASSEMBLY INSTRUCTION

STEP 7 FOOTBOARD

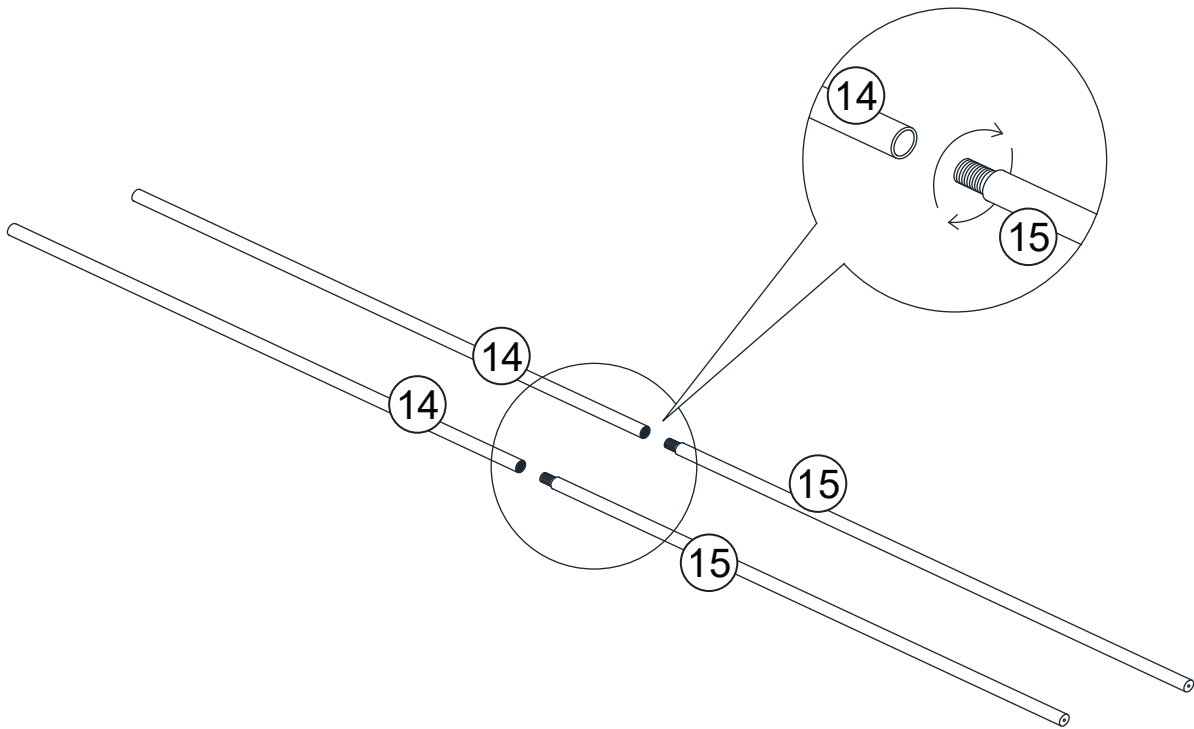


STEP 8 HEADBOARD



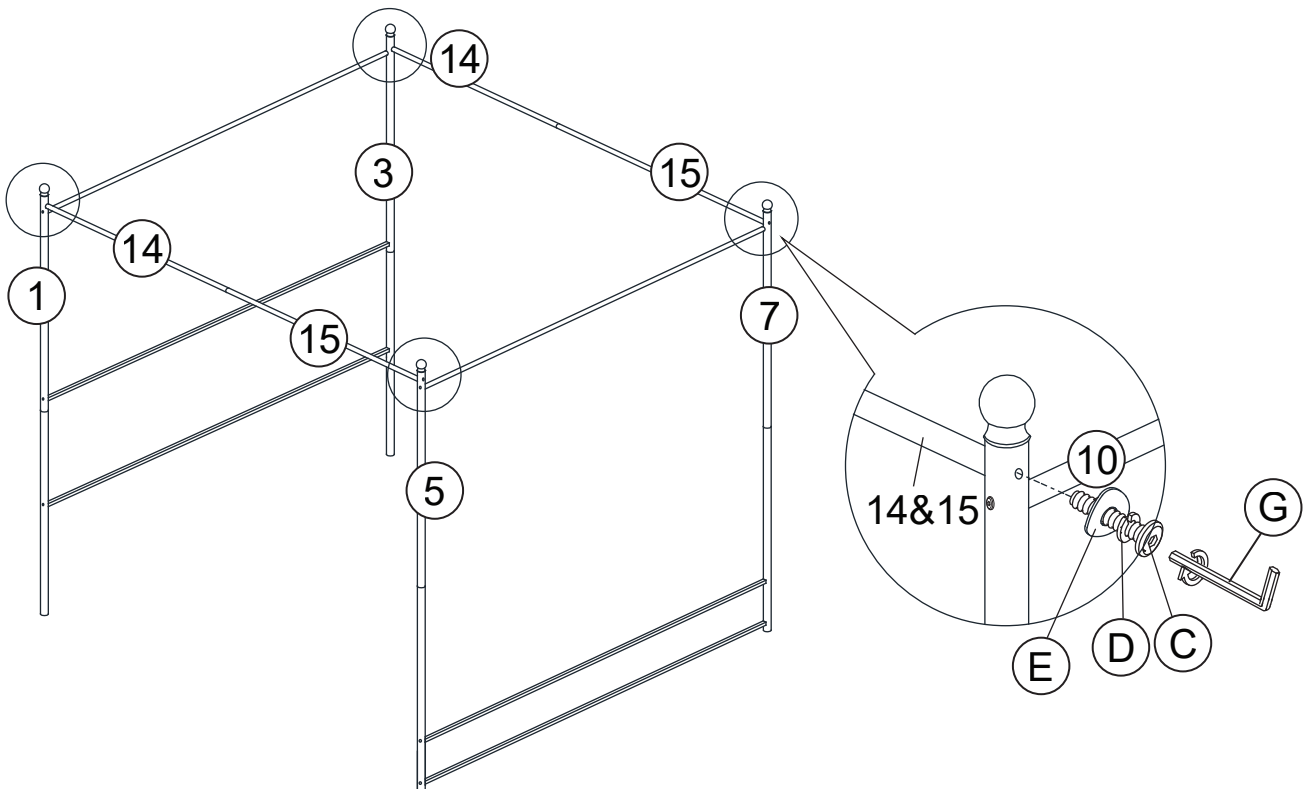
KING BED ASSEMBLY INSTRUCTION

STEP 9 FOOTBOARD



STEP 10

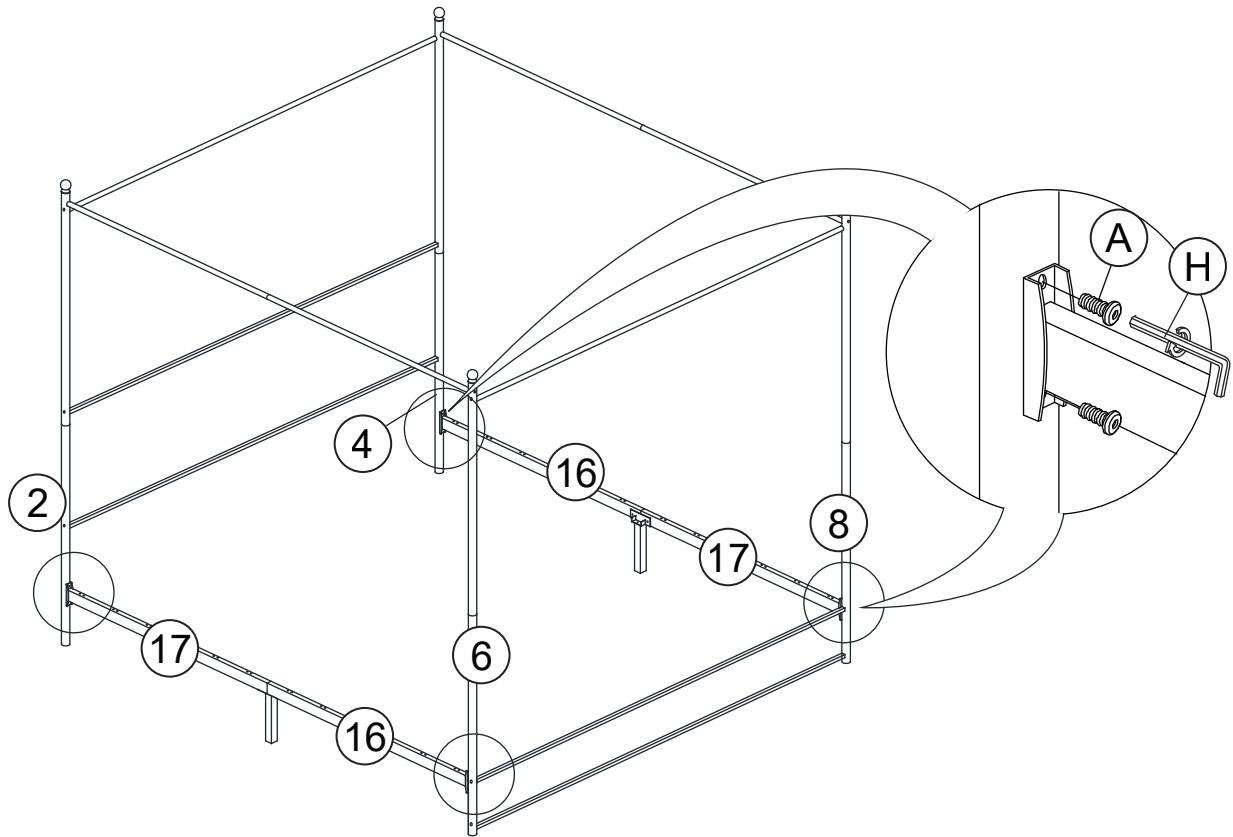
****This step require additional support from a second person**



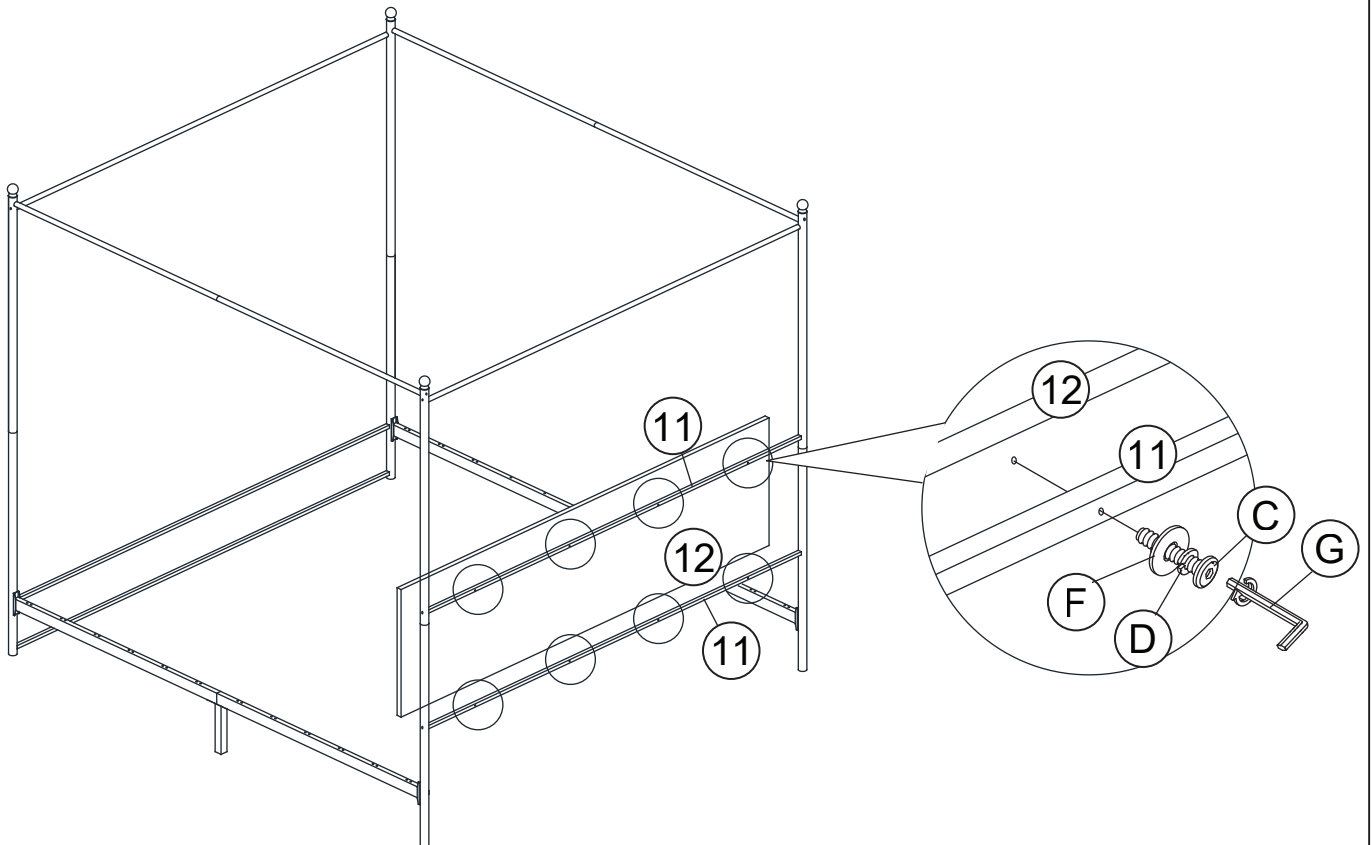
KING BED ASSEMBLY INSTRUCTION

STEP 11

****This step require additional support from a second person**

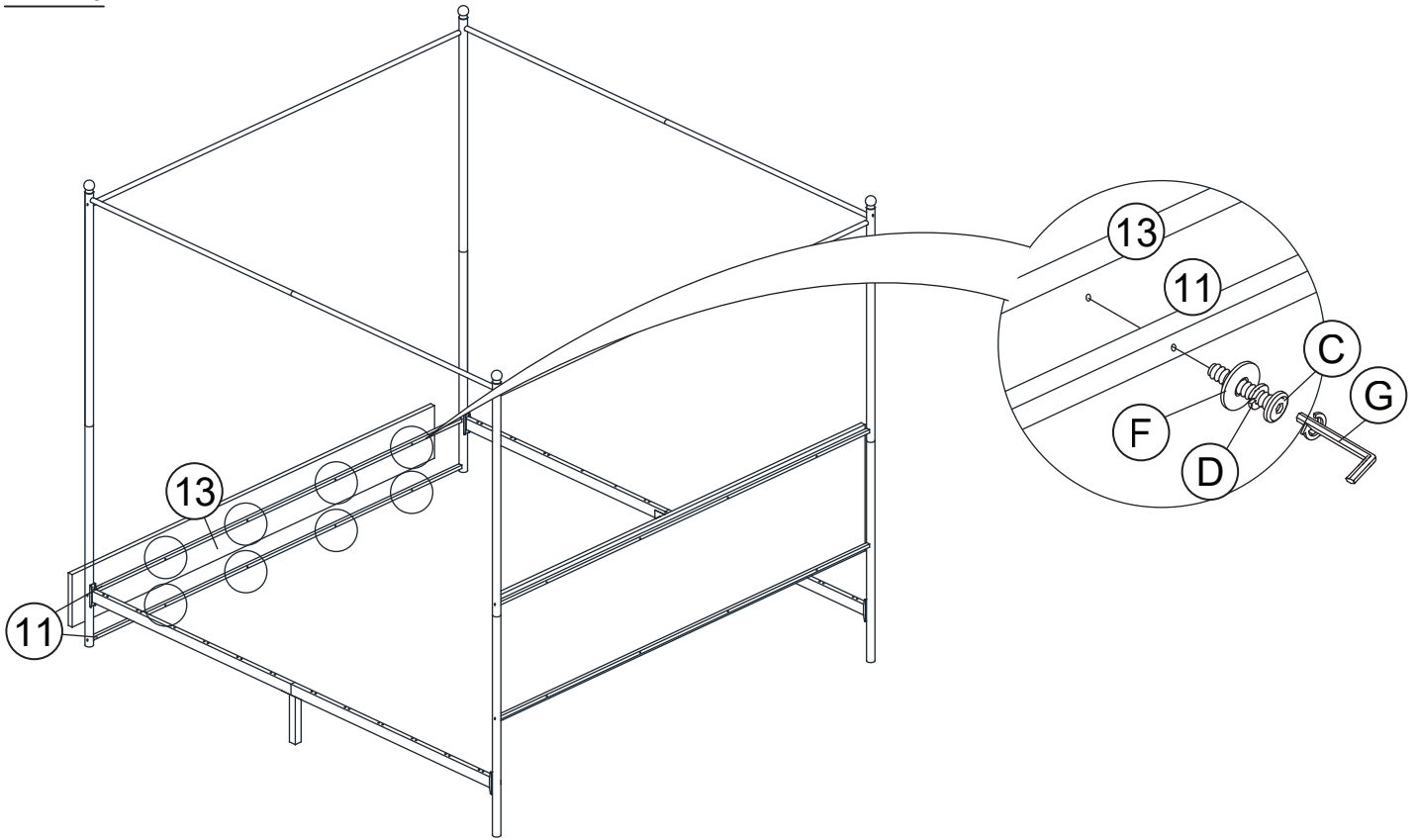


STEP 12

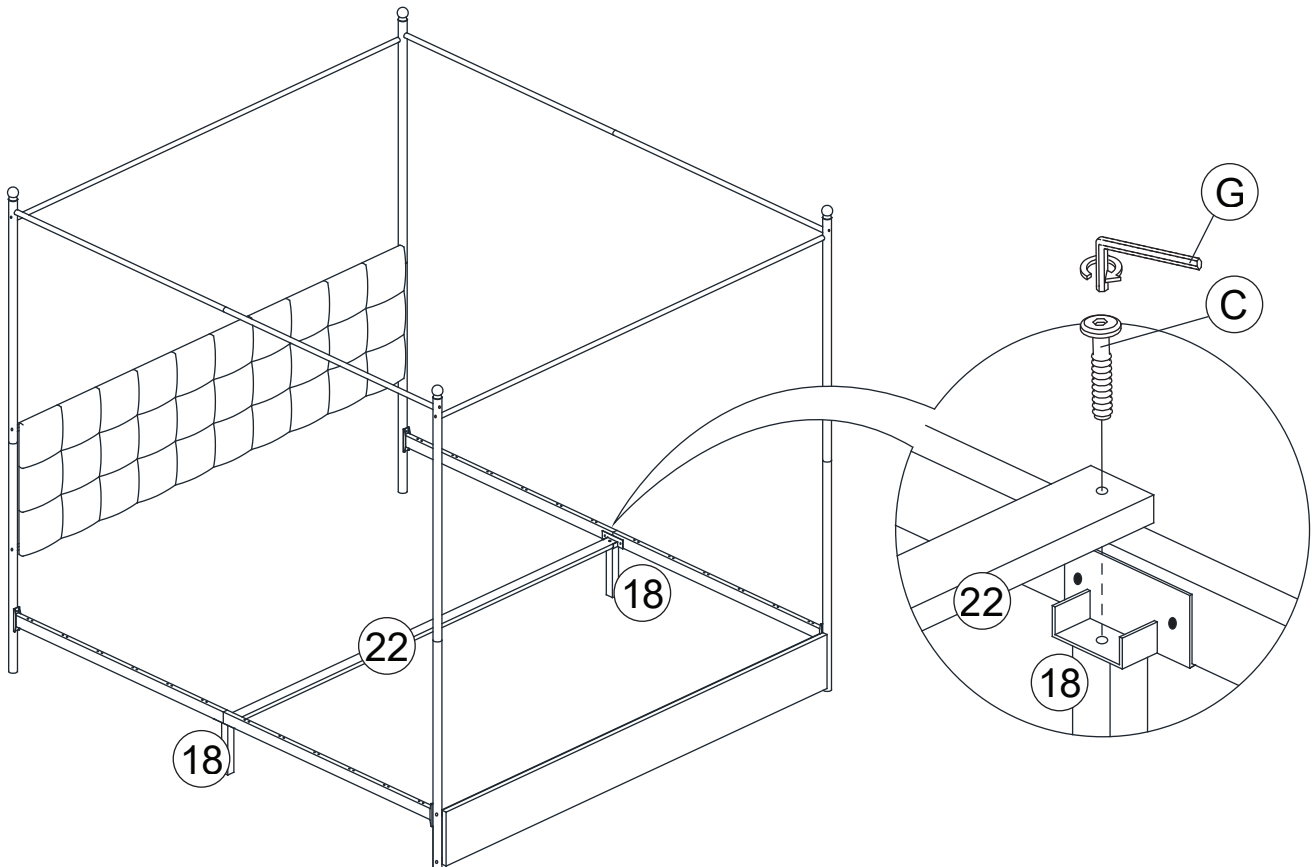


KING BED ASSEMBLY INSTRUCTION

STEP 13

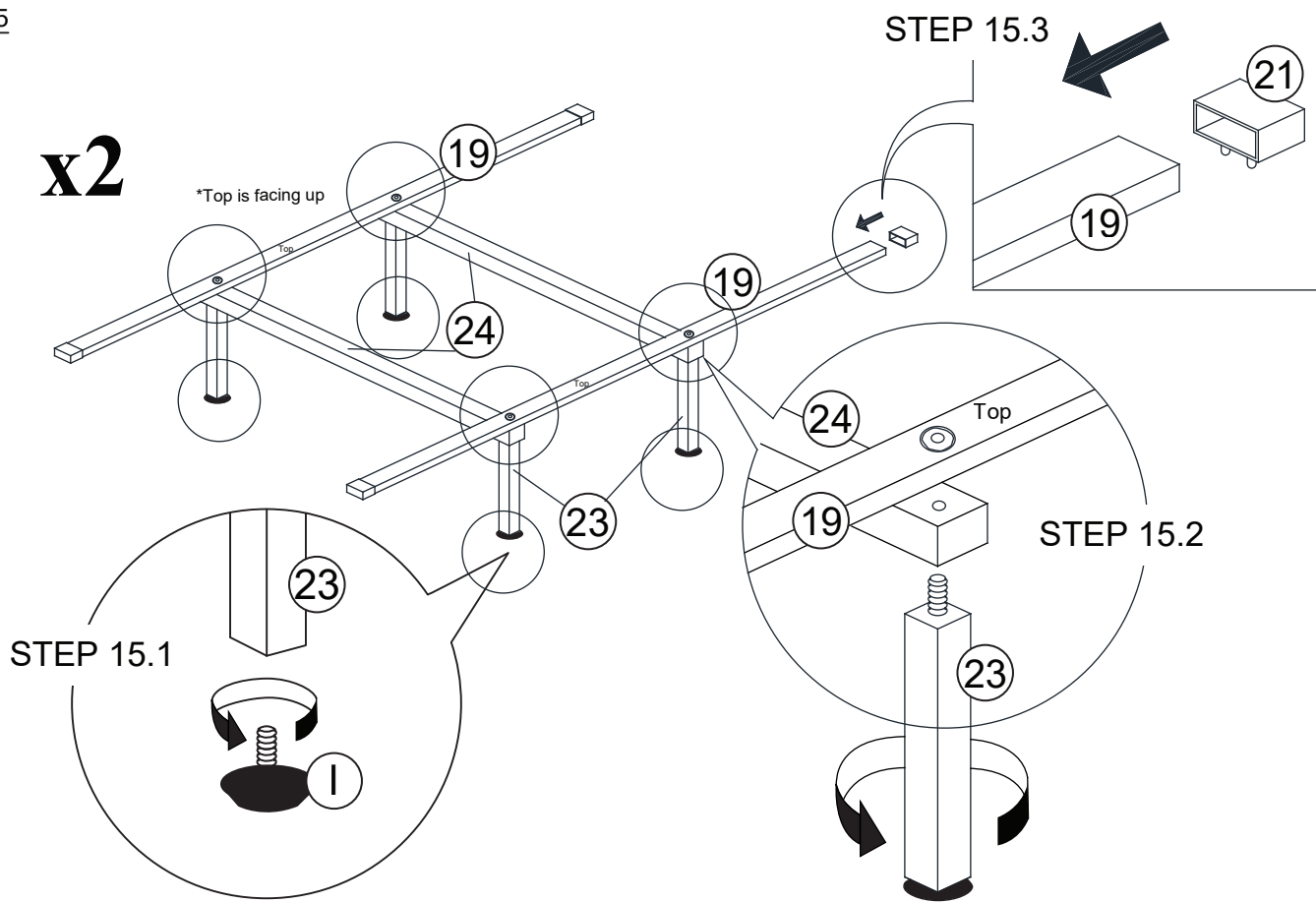


STEP 14

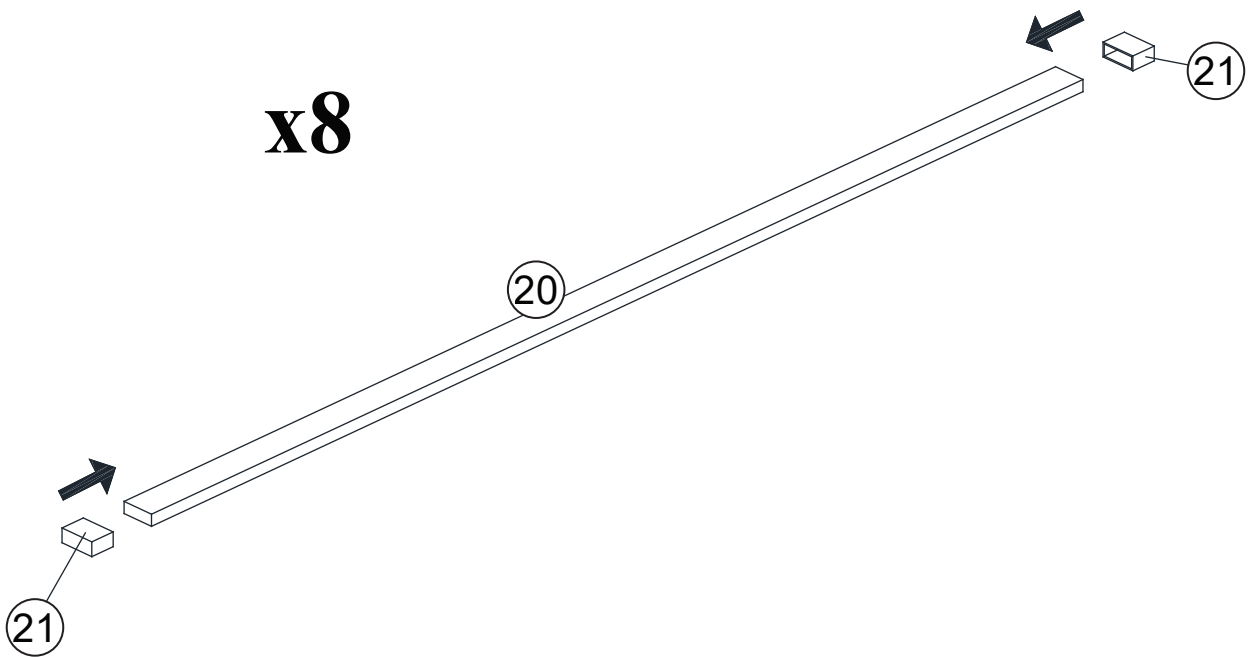


KING BED ASSEMBLY INSTRUCTION

STEP 15

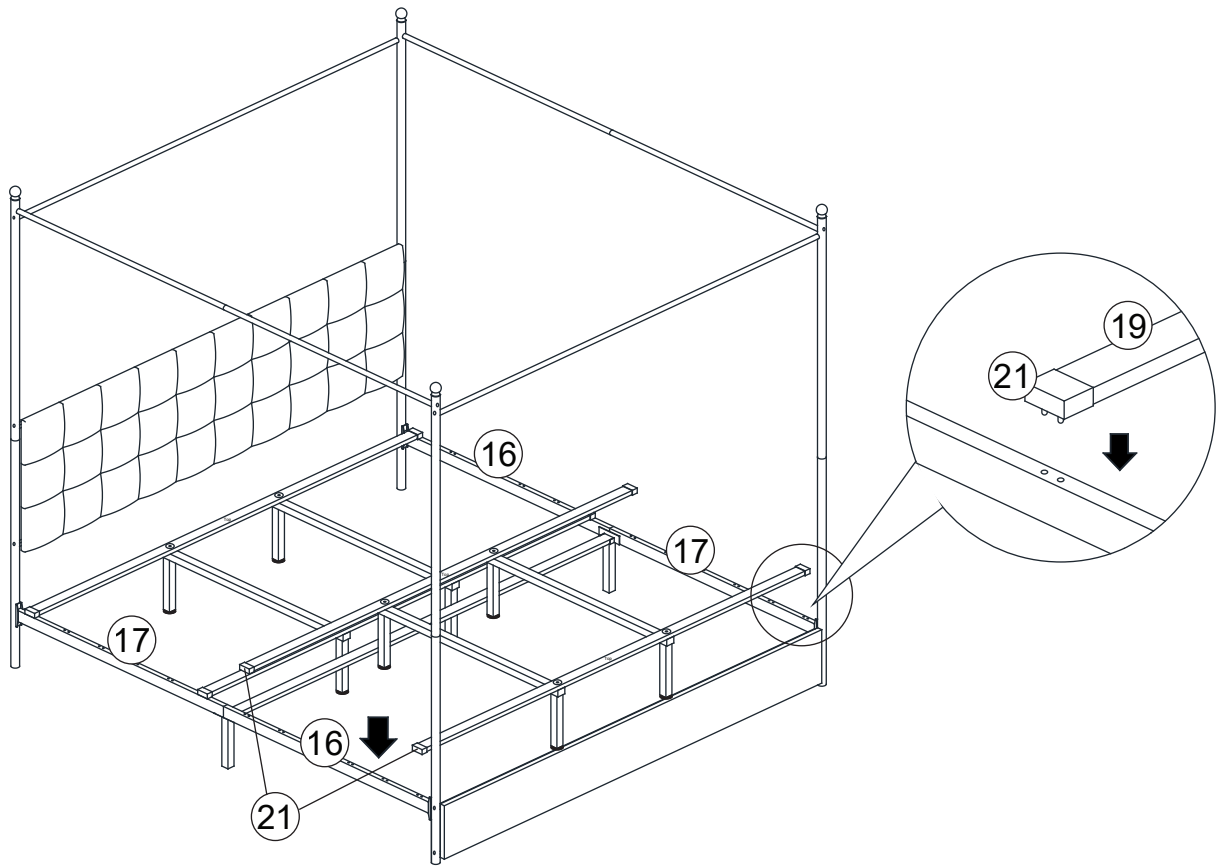


STEP 16

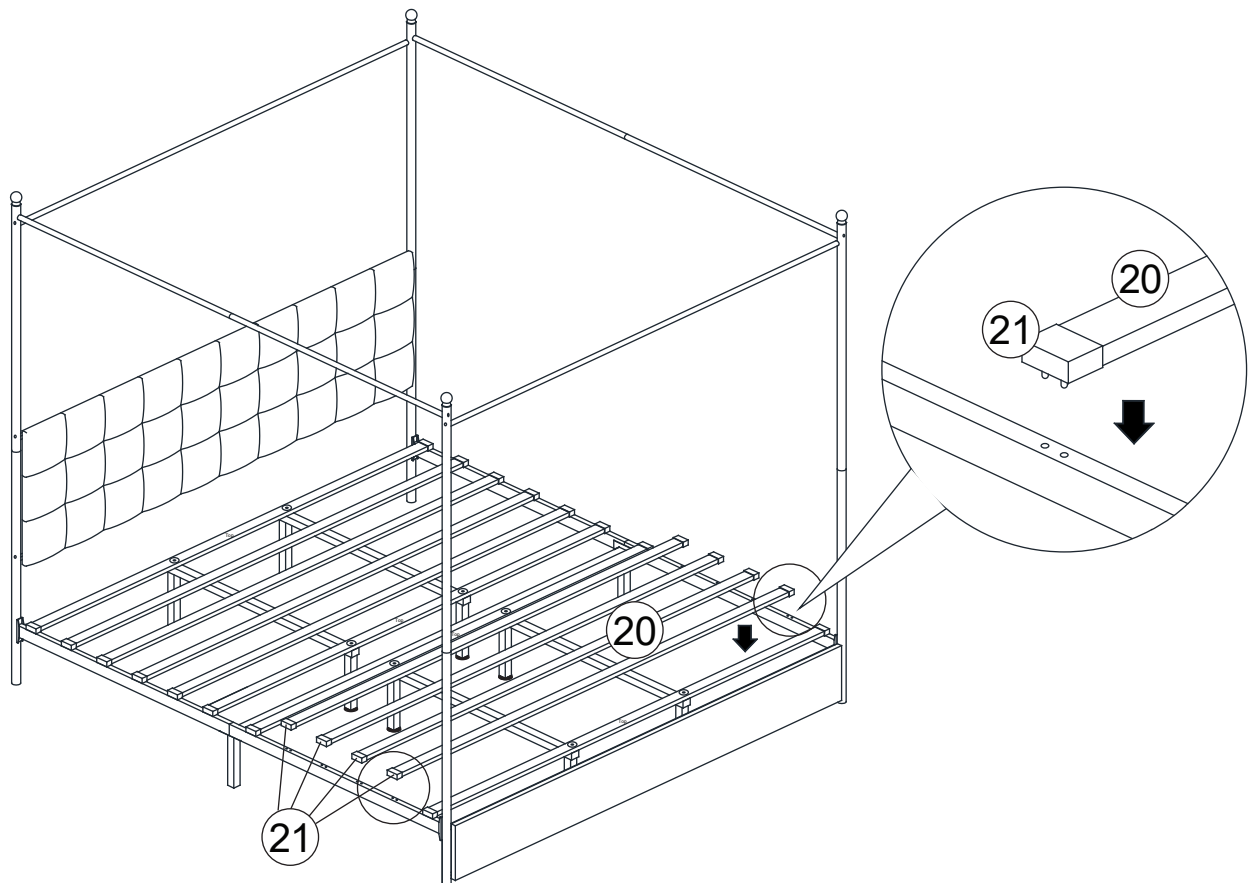


KING BED ASSEMBLY INSTRUCTION

STEP 17

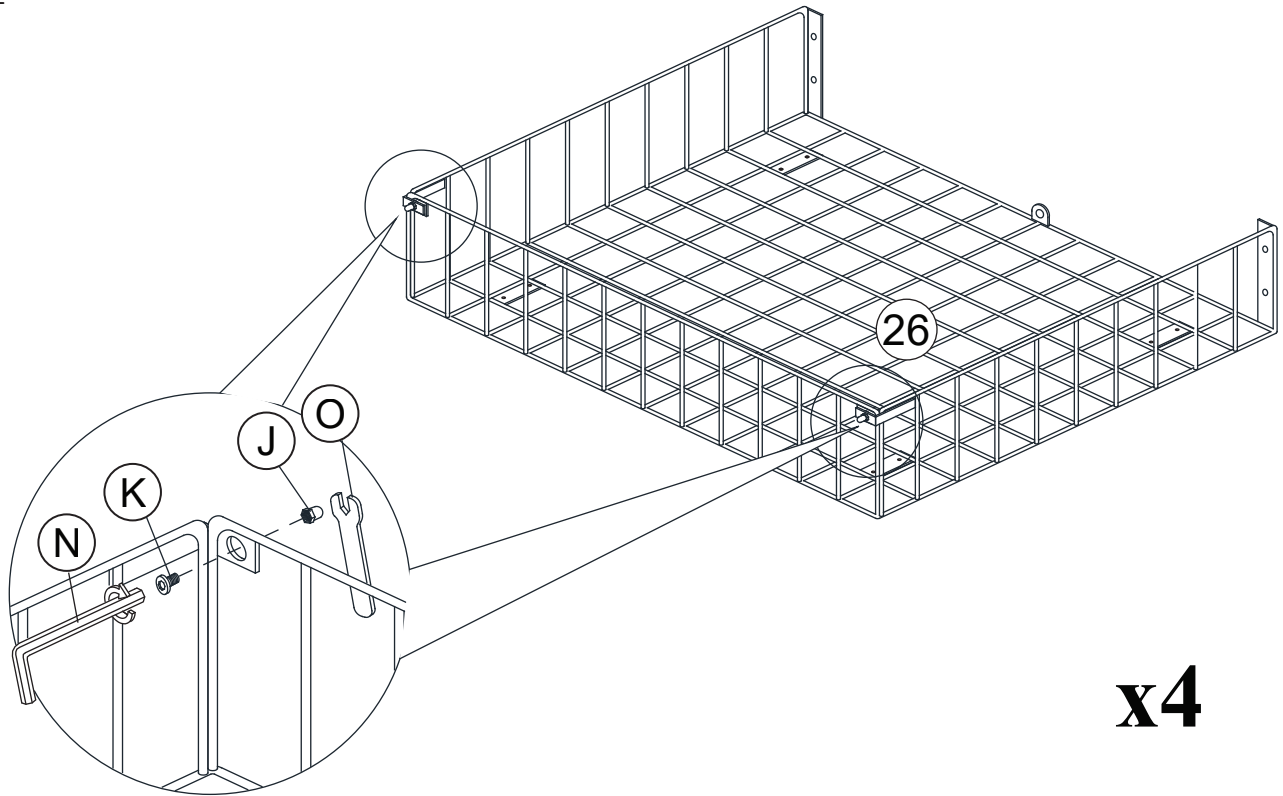


STEP 18

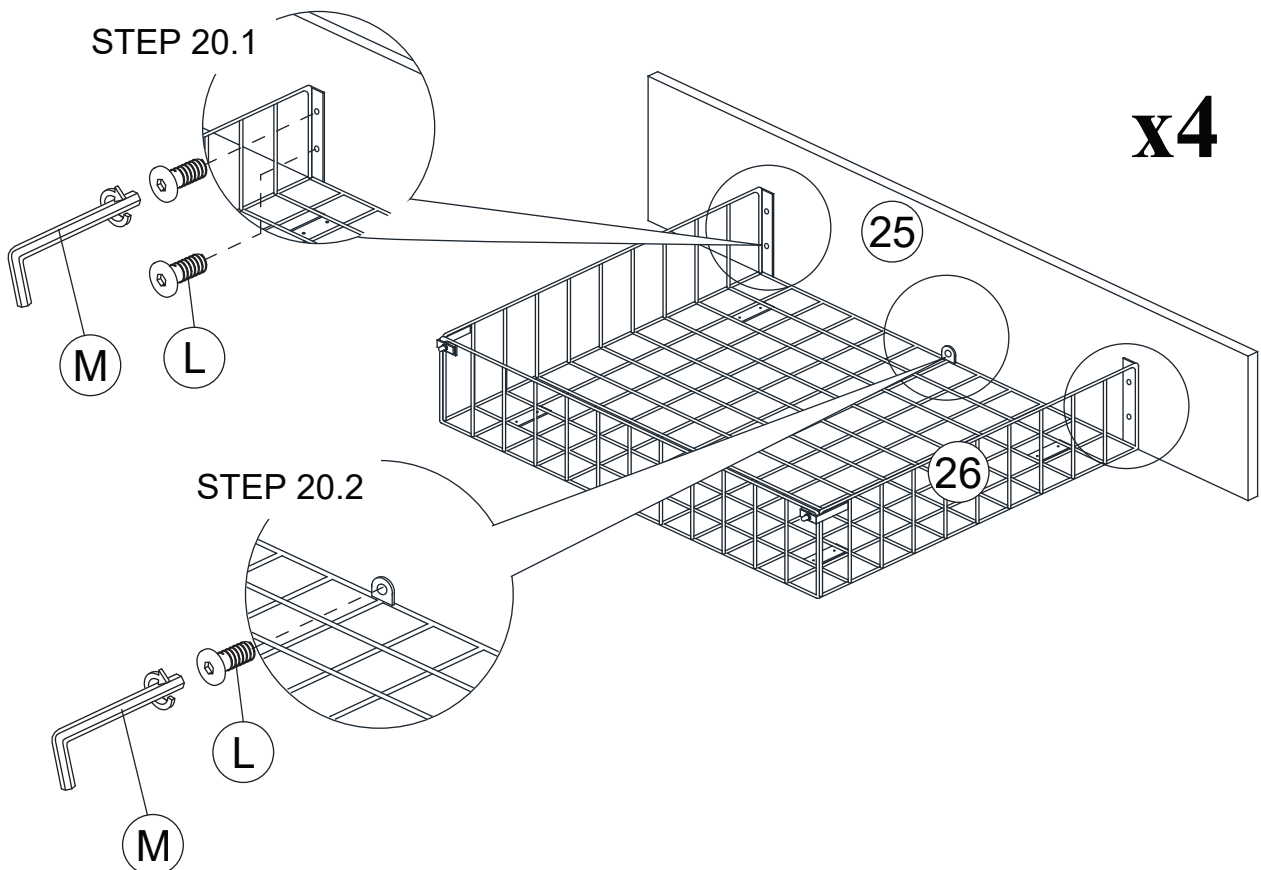


KING BED ASSEMBLY INSTRUCTION

STEP 19

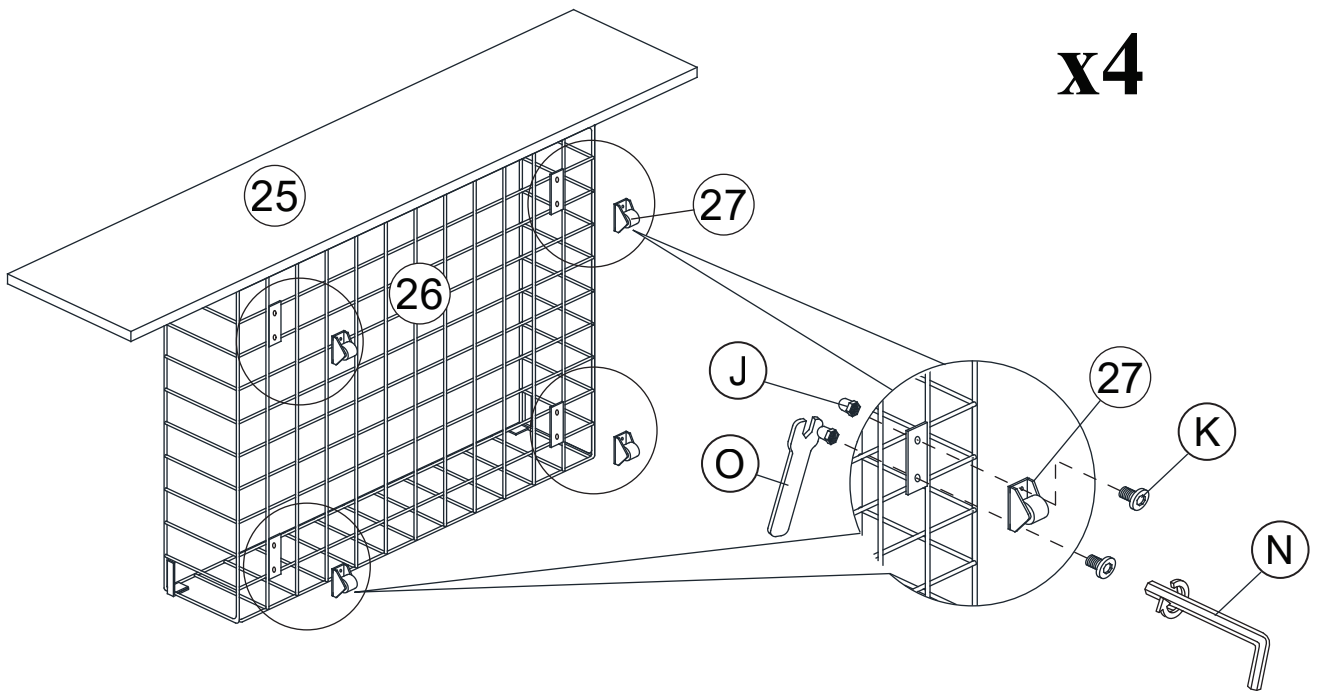


STEP 20

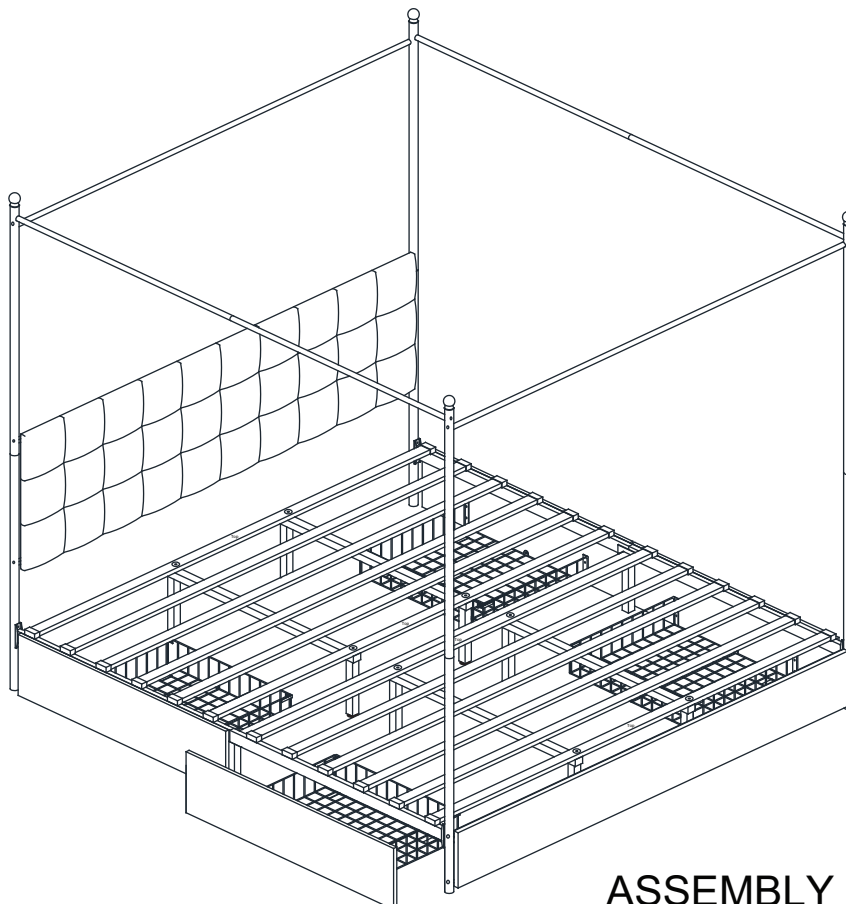


KING BED ASSEMBLY INSTRUCTION

STEP 21



STEP 22



ASSEMBLY COMPLETED