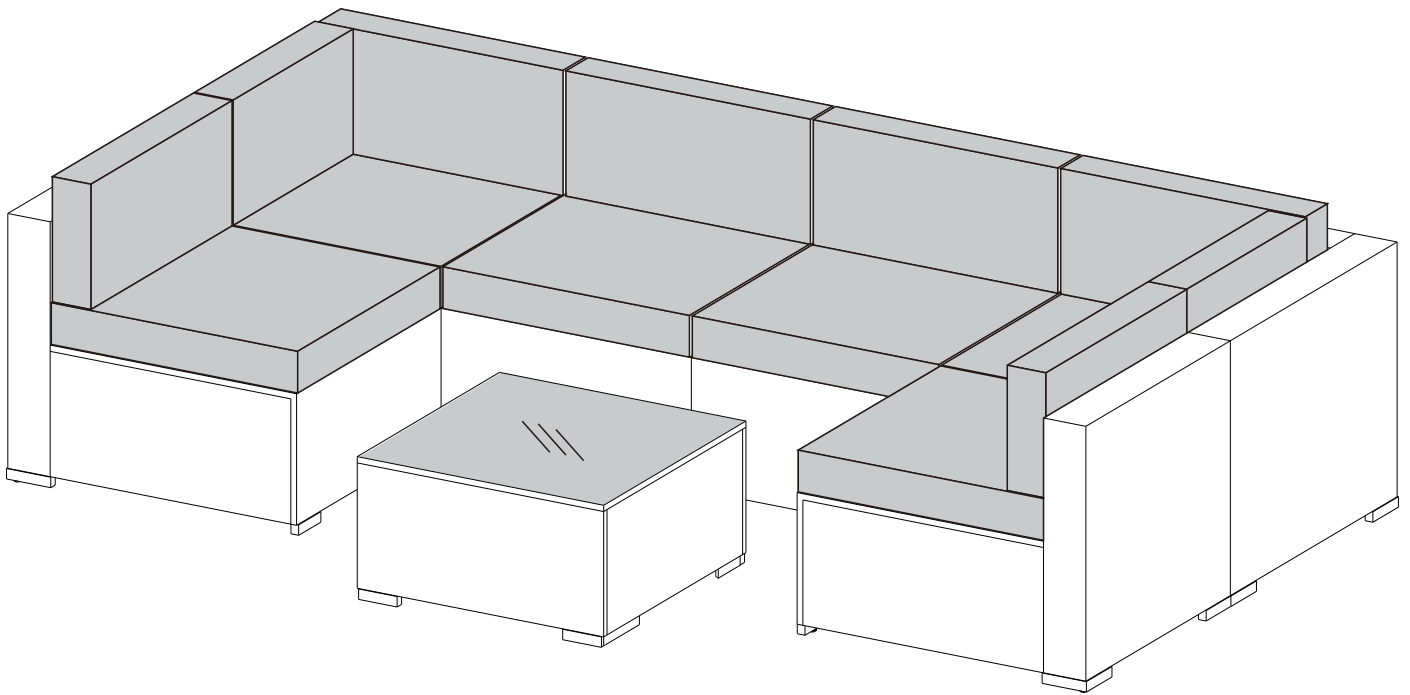

7 Pieces Patio Conversation Sets



General Guidelines

- Please read the following instructions carefully and use the product accordingly.
- Please keep this manual and hand it over when you transfer the product.
- This summary may not include every detail of all variations and considered steps. Please contact us when further information and help are needed.
- Any question, please contact our customer service.

Notes

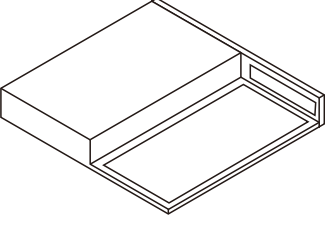
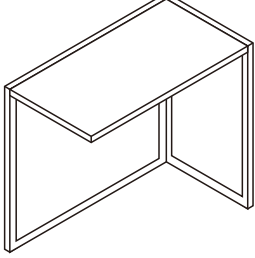
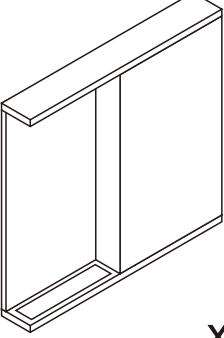
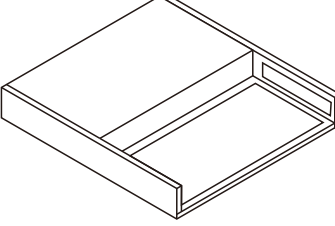
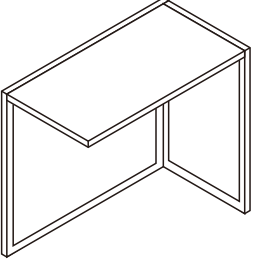
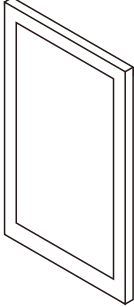
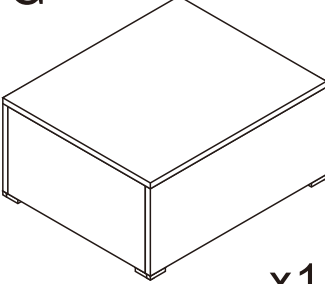
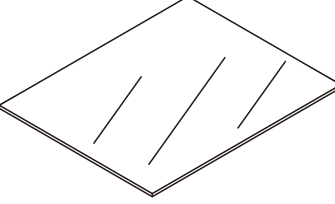
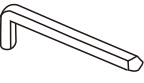

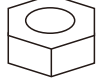

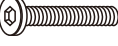





- Personal injury and/or damage to the product may occur if products are used outside of their intended purposes and/or if products have been changed/modified from their original design. The product must be assembled and used in accordance with the provisions of the manual. The seller does not assume any responsibility or liability with respect to any damage caused by incorrect assembly or improper use.
- Carefully check accessories when opening the package. If anything is missing or damaged, please contact us immediately.
- Please do not force or over tighten the nuts. If a nut becomes stuck, unscrew it and start again.
- Keep in mind that not to tighten screw until you fully set up ,After set up, fully tighten screws.
- Please keep all the packaging for the product until you are satisfied with your purchase as we cannot accept any returned item not in the original packaging.
- Please ensure that you have sufficient space and people to assemble the item.
- Do not tighten all the screws before completing the installation

Warnings

- Keep children away when assembling the product. Small parts are included in the package; they may be fatal if swallowed or inhaled.
- To avoid the potential dangers of suffocation, please keep all parts and packaging (film, plastic bags, foam, etc.) away from babies and children.
- Tighten all components securely before use. Failure to do so may result in personal injury.

Daily Maintenance

- Sweep surfaces as needed using a soft-bristle brush.
- Store outdoor furniture indoors or cover well when not in use. Whether you live in a mild or harsh climate, using patio furniture covers will prolong the life of your furniture and keep it looking like new.
- To extend the life of your outdoor cushions and pads, clean them regularly. Store away when not in use, preferably in a cool, dry place indoors. Ensure the cushions are completely dry before storing.

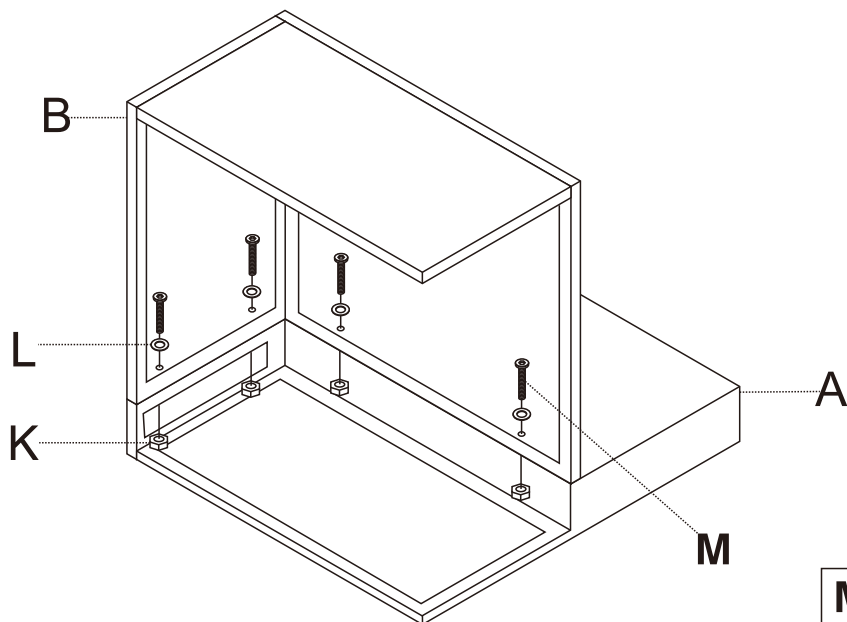
<p>A</p>  <p>x2</p>	<p>B</p>  <p>x2</p>	<p>C</p>  <p>x2</p>	<p>D</p>  <p>x4</p>
<p>E</p>  <p>x4</p>	<p>F</p>  <p>x4</p>	<p>G</p>  <p>x1</p>	<p>H</p>  <p>x1</p>
<p>I</p>  <p>x1</p>	<p>J</p>  <p>x1</p>	<p>K</p>  <p>x44</p>	<p>L</p>  <p>x48</p>
<p>M</p>  <p>M6x50</p> <p>x44</p>	<p>N</p>  <p>Seat Cushion x6</p>	<p>O</p>  <p>Back Cushion x6</p>	<p>P</p>  <p>Armrest Cushion x2</p>
<p>Q</p>  <p>Plastic Clip x10</p>	<p>R</p>  <p>M6x30mm</p> <p>x10</p>		

ASSEMBLY INSTRUCTION

DESCRIPTION:
CORNER SEAT

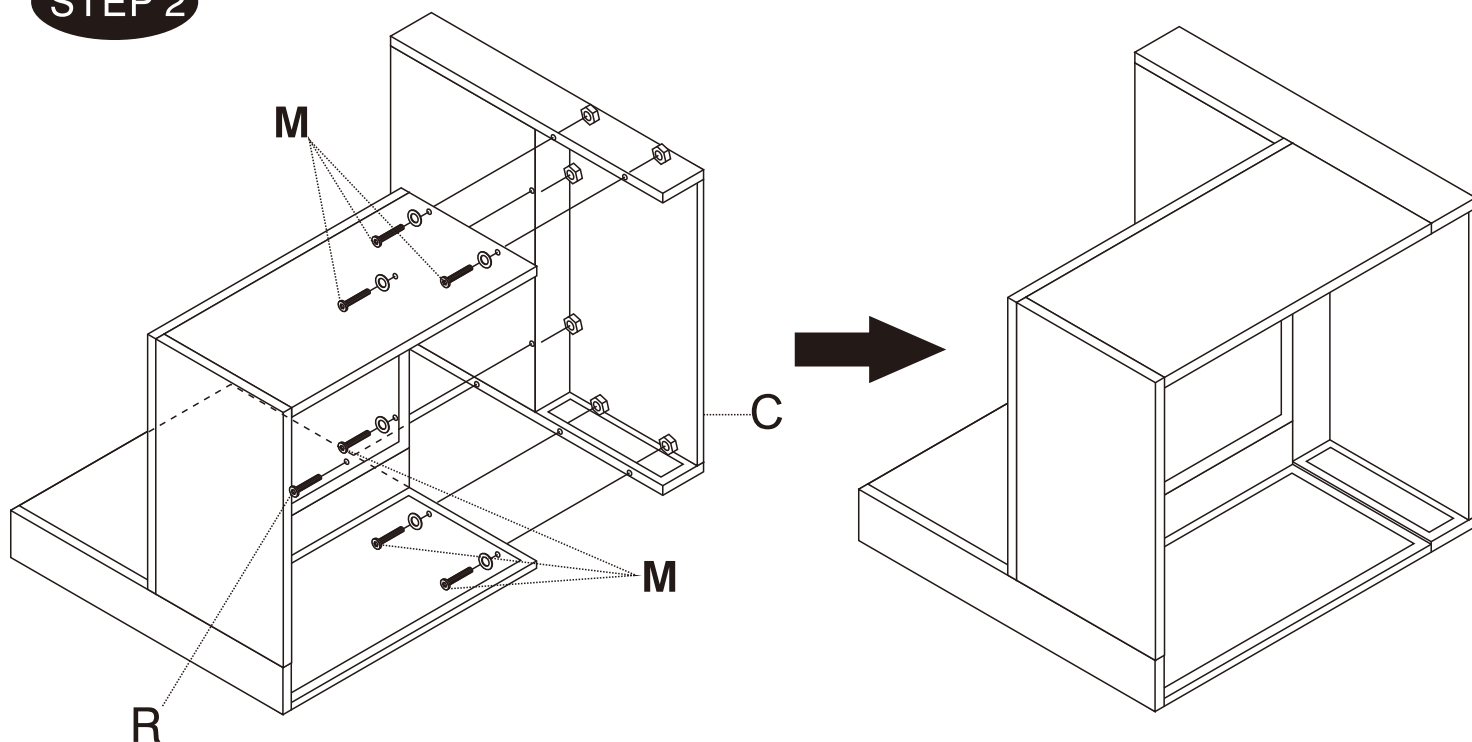
Do this twice

STEP 1



M:  x4 pcs
M6x50mm

STEP 2



R:  x1 pc
M6x30mm

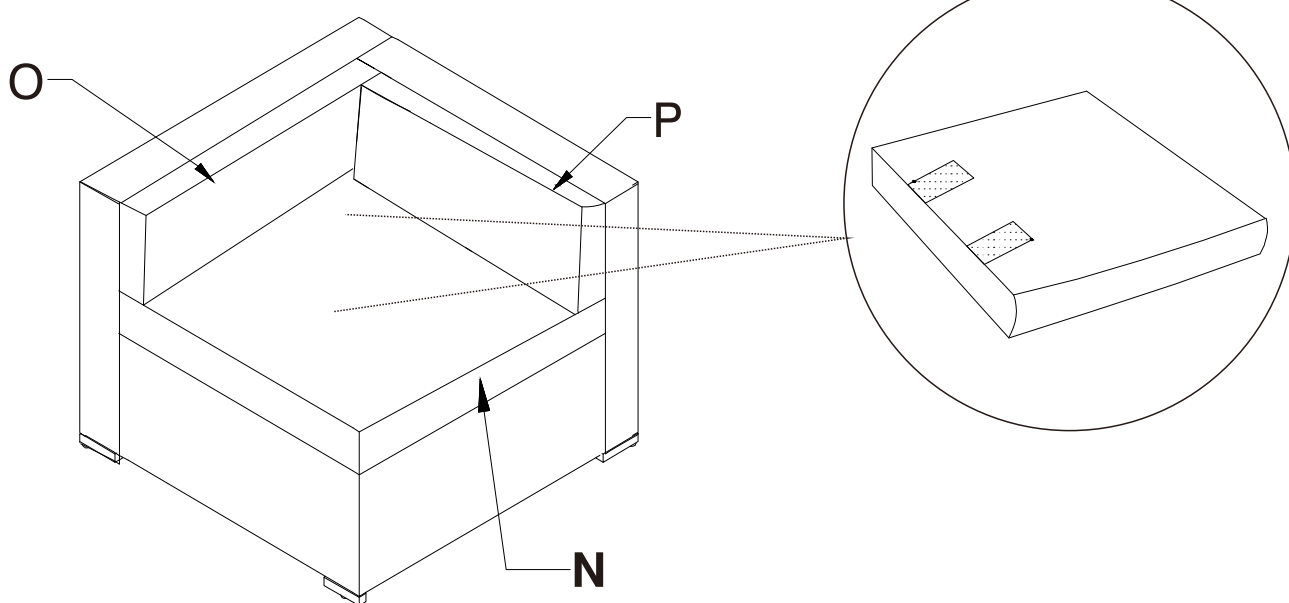
M:  x6 pcs
M6x50mm

**ASSEMBLY
INSTRUCTION**

DESCRIPTION:
CORNER SEAT

Do this twice

STEP 3

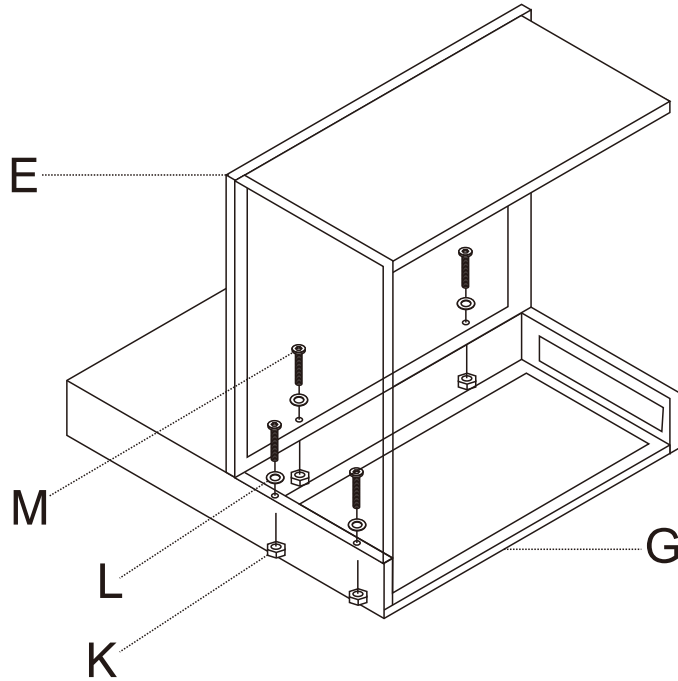


ASSEMBLY INSTRUCTION

DESCRIPTION:
ARMLESS CHAIR

Do this four times

STEP 1

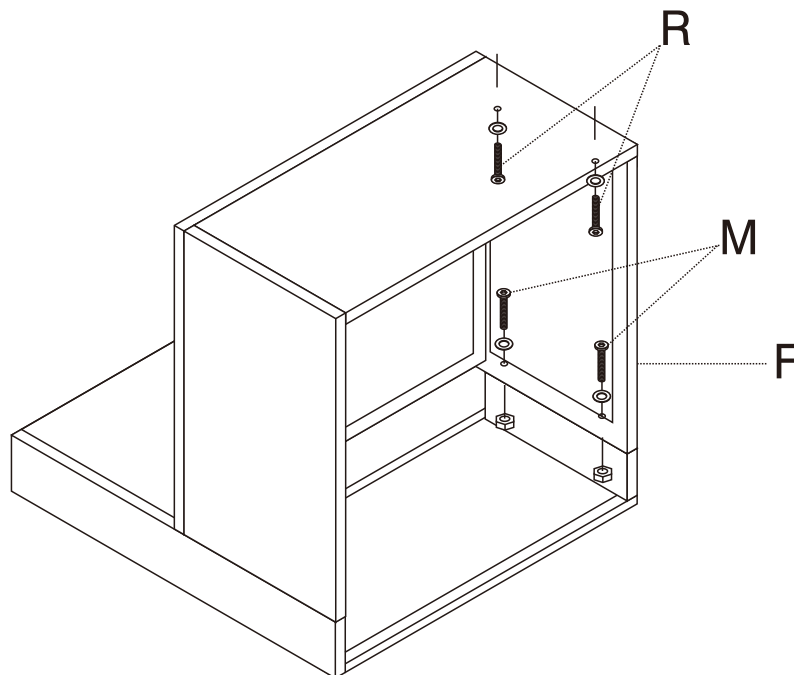


M:  x4 pcs
M6x50mm

Tips:

Do not tighten all screws fully until the item is well assembled.

STEP 2



R:  x2 pcs
M6x30mm

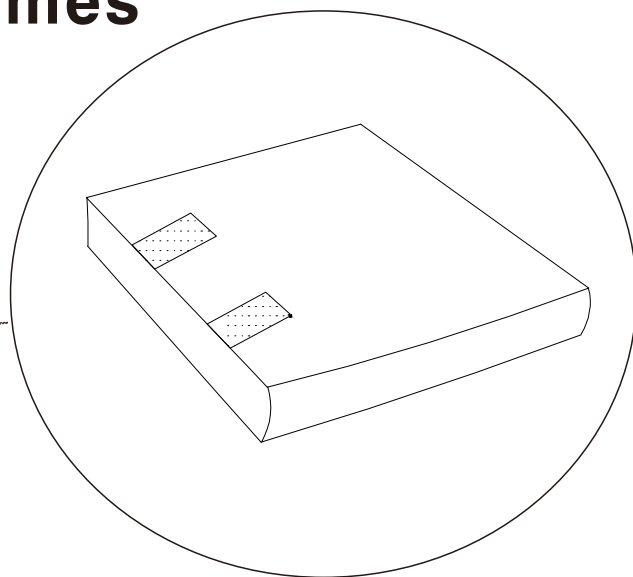
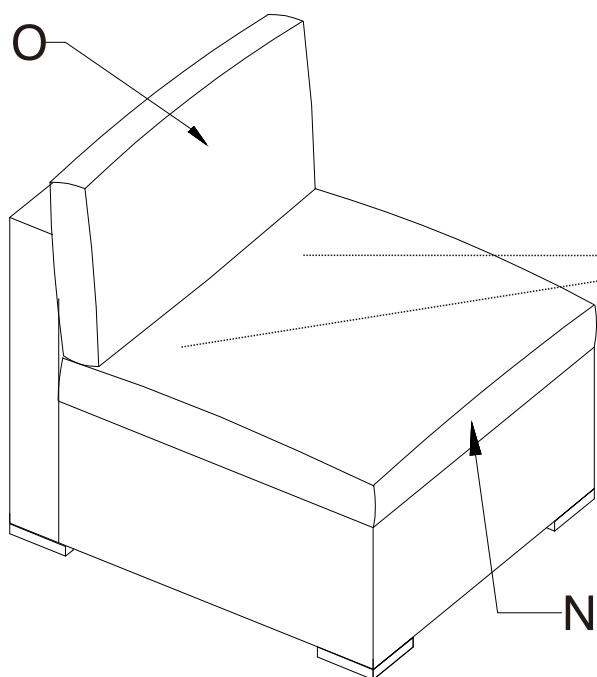
M:  x2 pcs
M6x50mm

**ASSEMBLY
INSTRUCTION**

DESCRIPTION:
ARMLESS CHAIR

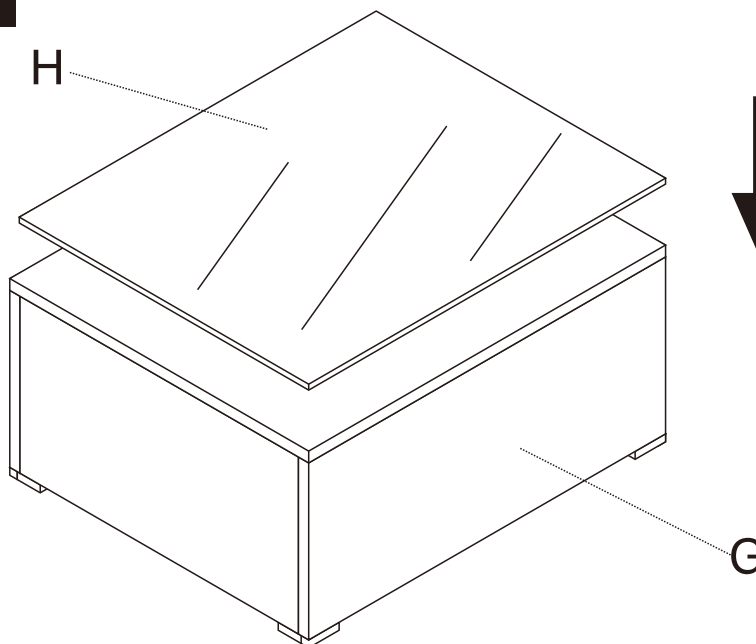
STEP 3

Do this four times




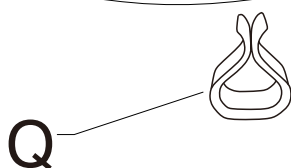
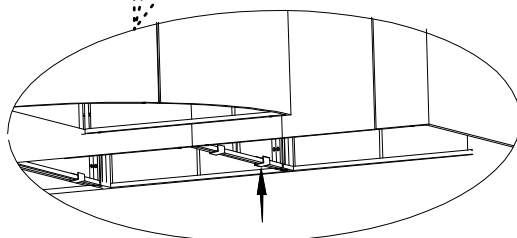
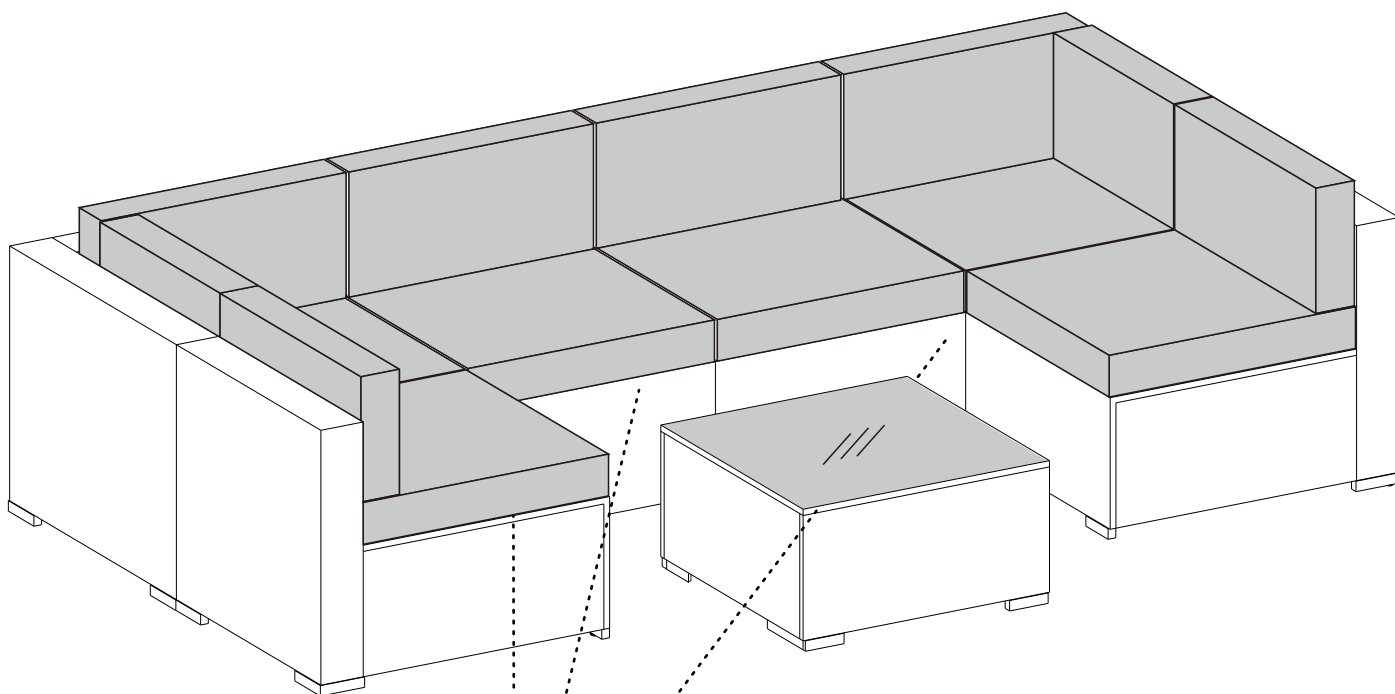
**ASSEMBLY
INSTRUCTION**

DESCRIPTION:
COFFEE TABLE



ASSEMBLY INSTRUCTION

IteQ RS.	RefereRce IQage	DescriptiSR	Qty.
Q		Plastic Clip	10



After finishing all assembling, please use plastic clips to connect each sofa.