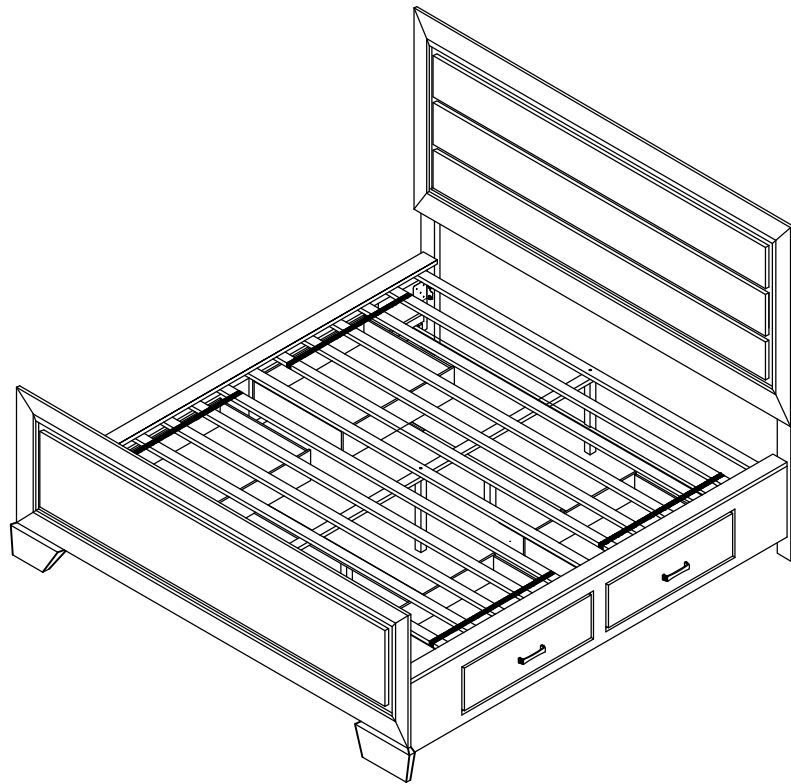


# ASSEMBLY INSTRUCTIONS



*Fine Furniture for every stage of life*

## **California King Storage Bed**

REVISION 0 : 11/14/2016  
REVISION 1 : 01/21/2020

# ASSEMBLY INSTRUCTIONS

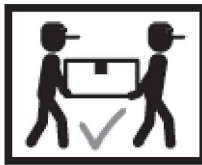
## ASSEMBLY TIPS:

- 1 . Remove hardware from box and sort by size.
- 2 . Please check to see that all hardware and parts are present prior to start of assembly.
- 3 . Please follow attached instructions in the same sequence as numbered to assure fast & easy assembly.



### WARNING !

- 1 . Don't attempt to repair or modify parts that are broken or defective. Please contact the store immediately.
- 2 . This product is for home use only and not intended for commercial establishment.

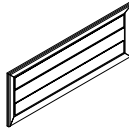
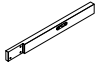
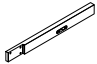
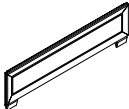


ASSEMBLY TIME


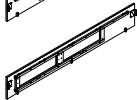
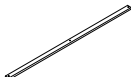

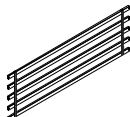

30 MINUTES

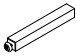



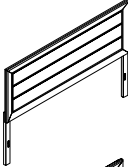
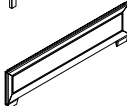
## PARTS IDENTIFICATION

### B1 (BOX 1)

A	HEADBOARD PANEL		1PC
B	LEFT HEADBOARD LEG		1PC
C	RIGHT HEADBOARD LEG		1PC
D	FOOTBOARD		1PC

### B2 (BOX 2)

E	LEFT BED RAIL		1PC
F	RIGHT BED RAIL		1PC
G	BED SLAT WITH 3 HOLES		3PCS
H	DRAWER SLAT		2PCS
I	ROLL SLAT (5PCS)		2SETS
J	STORAGE FOOTBOARD SUPPORT LEG		2PCS

K	CENTER RAIL SUPPORT WITH LEVELER		3PCS
L	CENTER RAIL		1PC
M	BOTTOM CROSS BAR		3PCS
N	RAIL TOP		2PCS
	FROM BOX 1 HEADBOARD COMPLETE		1PC
D	FROM BOX 1 FOOTBOARD		1PC

### B3 (BOX 3)

O	DRAWER BOX		2PCS
---	------------	---	------

### B4 (BOX 4)

P	DRAWER BOX		2PCS
---	------------	---	------

# ASSEMBLY INSTRUCTIONS

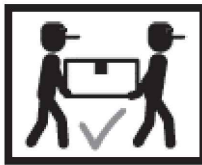
## ASSEMBLY TIPS:

- 1 . Remove hardware from box and sort by size.
- 2 . Please check to see that all hardware and parts are present prior to start of assembly.
- 3 . Please follow attached instructions in the same sequence as numbered to assure fast & easy assembly.



### WARNING !

- 1 . Don't attempt to repair or modify parts that are broken or defective. Please contact the store immediately.
- 2 . This product is for home use only and not intended for commercial establishment.



ASSEMBLY TIME

30 MINUTES

## HARDWARE IDENTIFICATION

### BOX 1 - HARDWARE PACK

1 BOLT  
(M6 x 30mm - BLK)



6PCS

2 LOCK WASHER  
(1/4" - BLK)



6PCS

3 FLAT WASHER  
(1/4" x 13mm - BLK)



6PCS

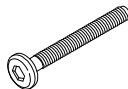
4 ALLEN WRENCH  
(M4 x 65mm - BLK)



1PC

### BOX 2 - HARDWARE PACK

5 LONG BOLT  
(M6 x 50mm - BLK)



5PCS

6 SHORT BOLT  
(M6 x 35mm - BLK)



8PCS

7 LOCK WASHER  
(1/4" - BLK)



8PCS

8 FLAT WASHER  
(1/4" x 20mm - BLK)



8PCS

9 LONG FLAT HEAD  
SCREW  
(M4 x 32mm - RBW)



43PCS

10 SHORT FLAT HEAD  
SCREW  
(M4 x 16mm - RBW)



4PCS

11 SMALL ALLEN  
WRENCH  
(M4 x 100mm - BLK)



1PC

12 BIG ALLEN  
WRENCH  
(M5 x 65mm - BLK)



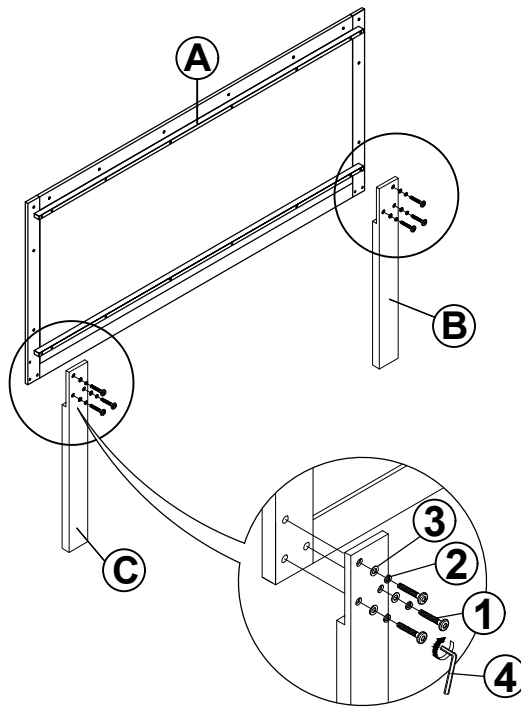
1PC

### NOTE:

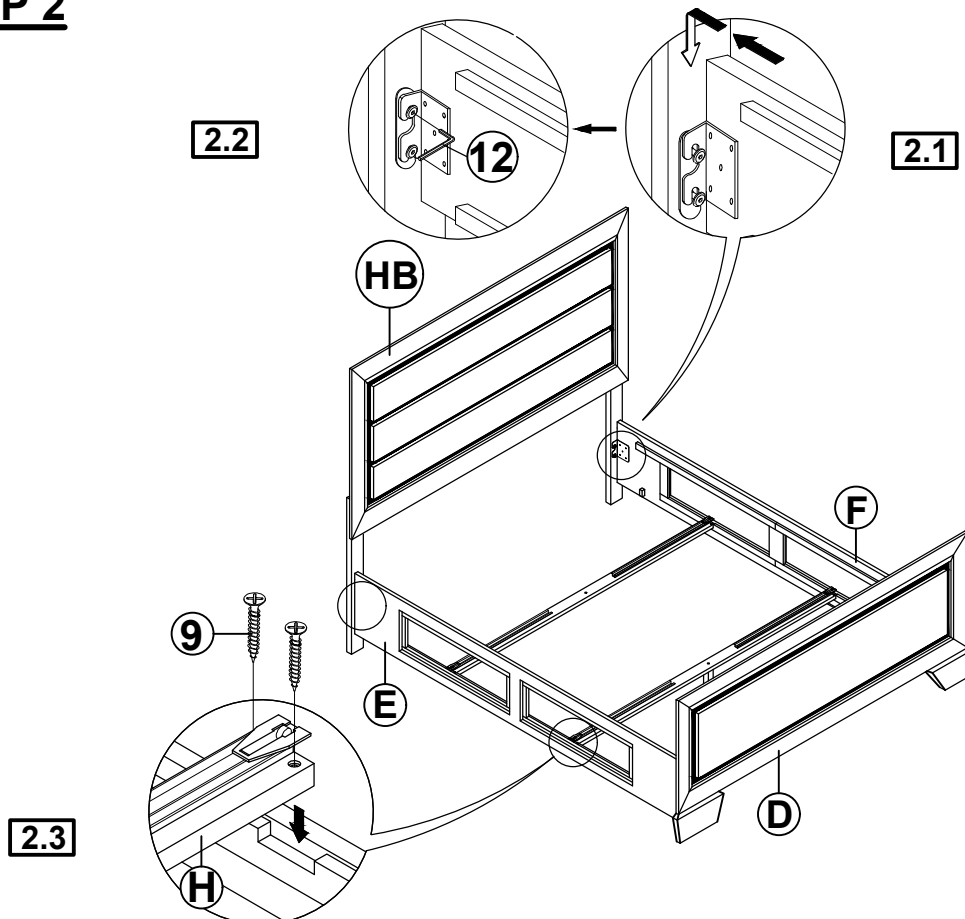
Philips head screw driver in the assembly process ; however, manufacturer does not provide the item

# ASSEMBLY INSTRUCTIONS

## STEP 1

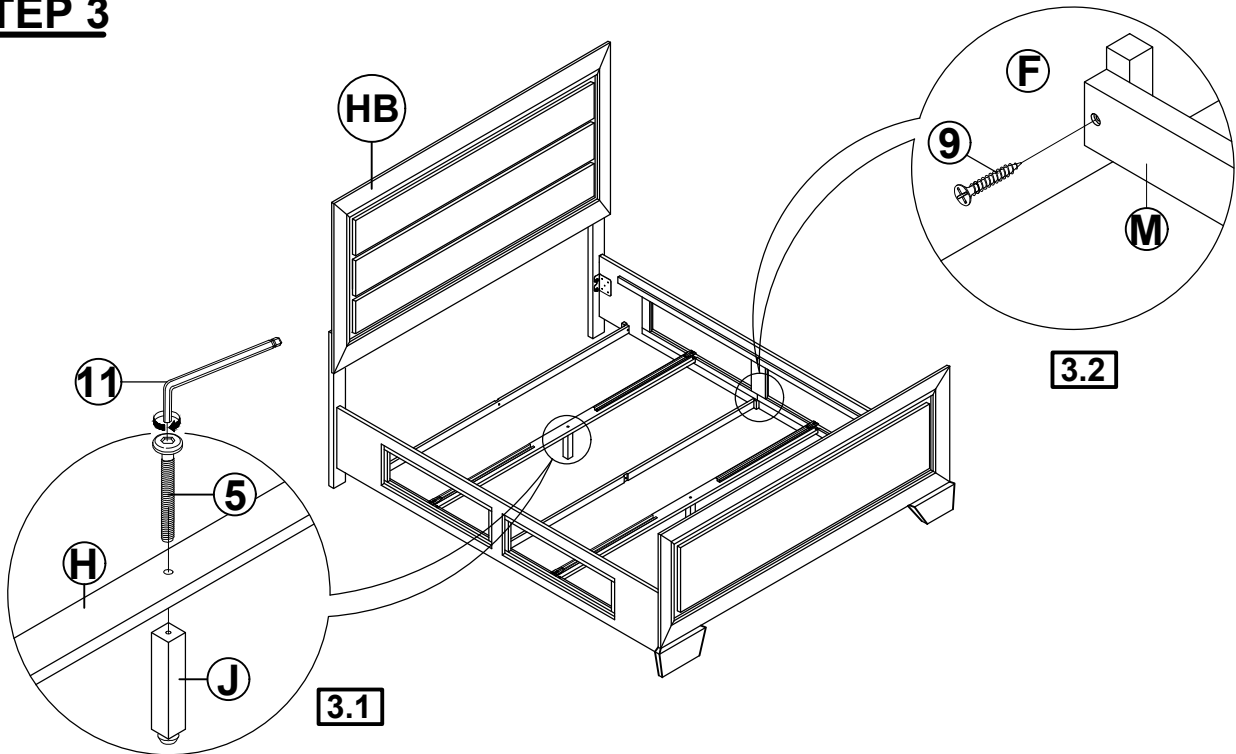


## STEP 2

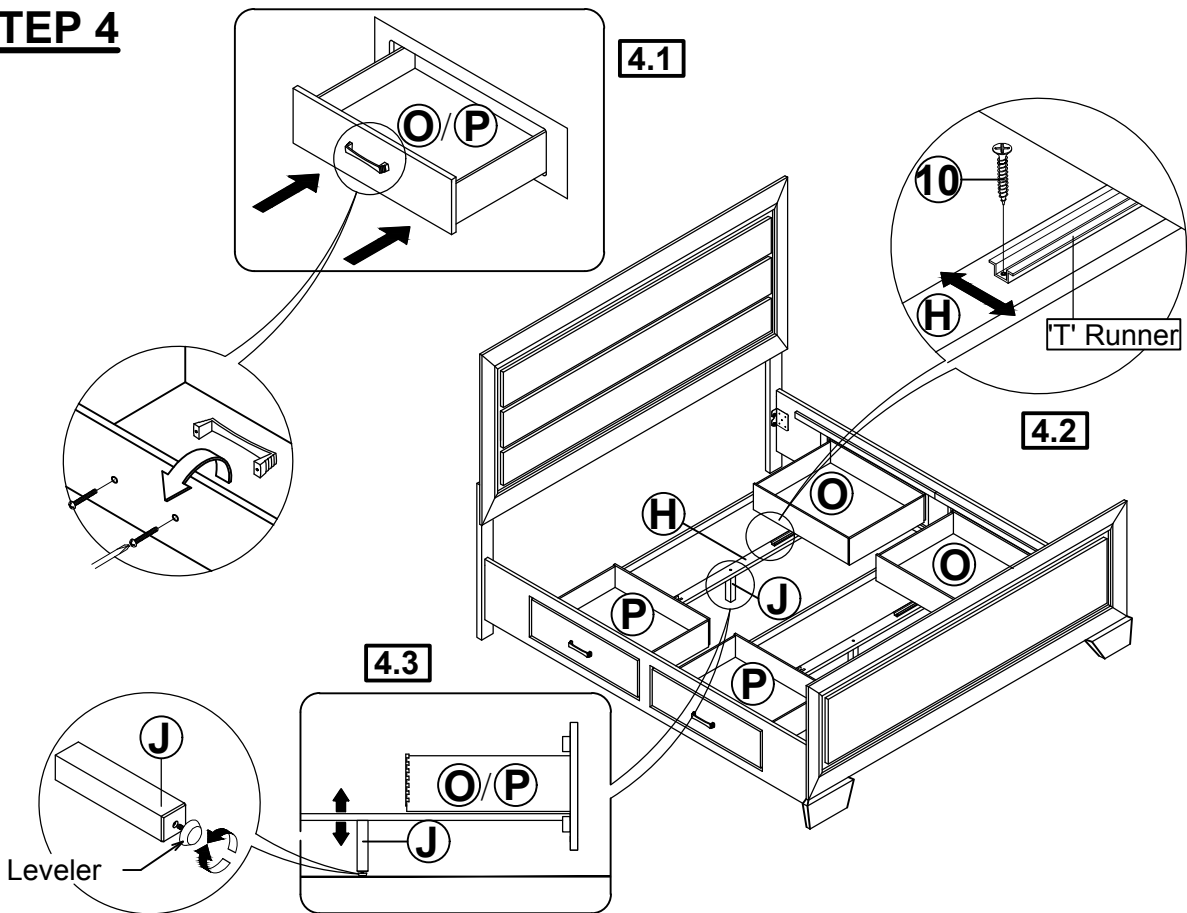


# ASSEMBLY INSTRUCTIONS

## STEP 3

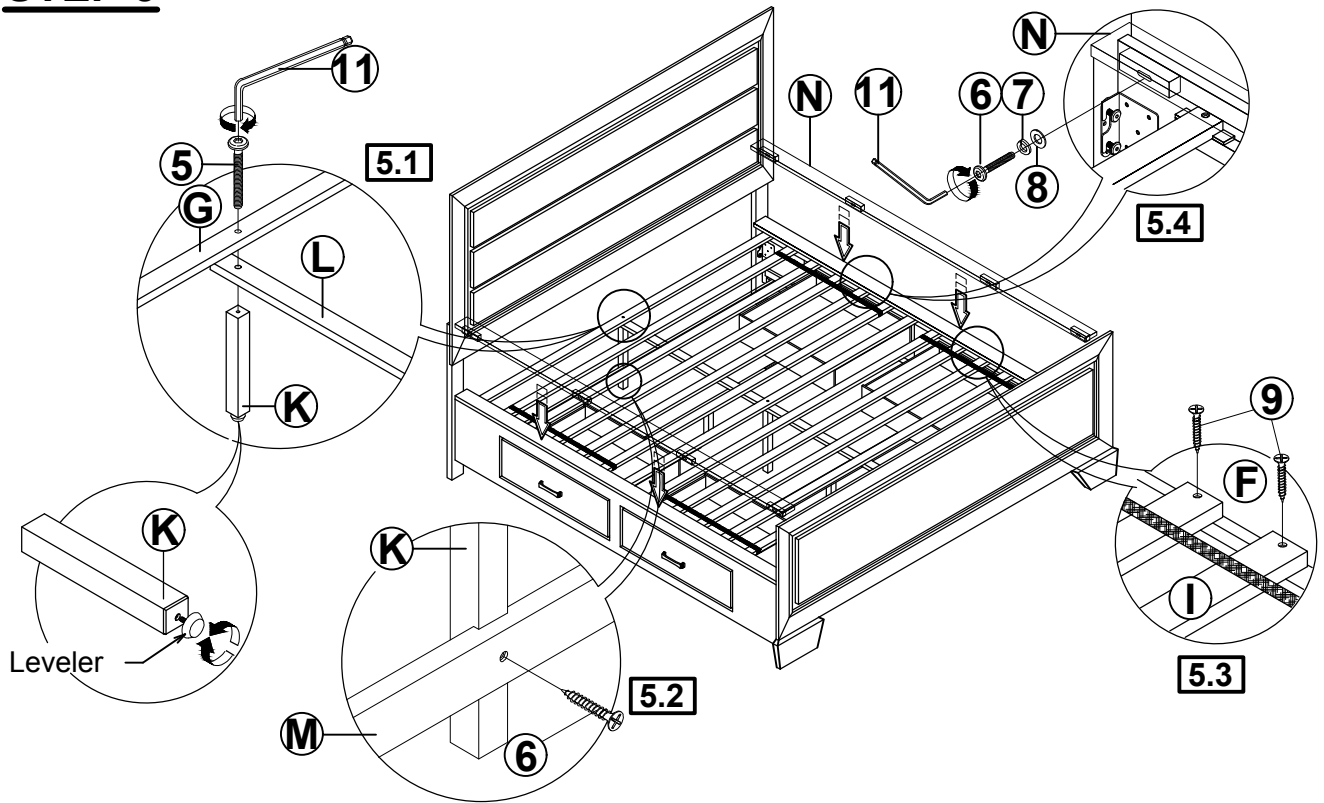


## STEP 4

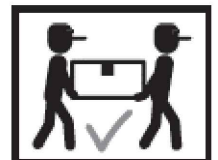
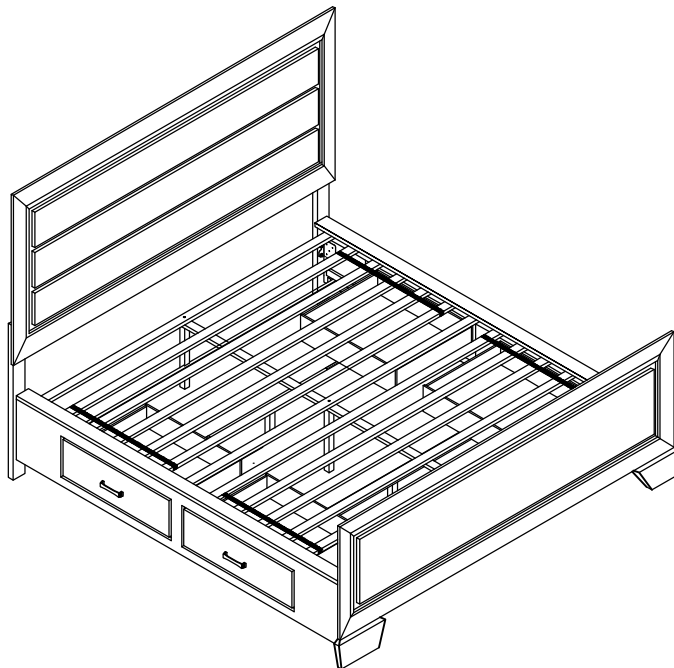


# ASSEMBLY INSTRUCTIONS

## STEP 5

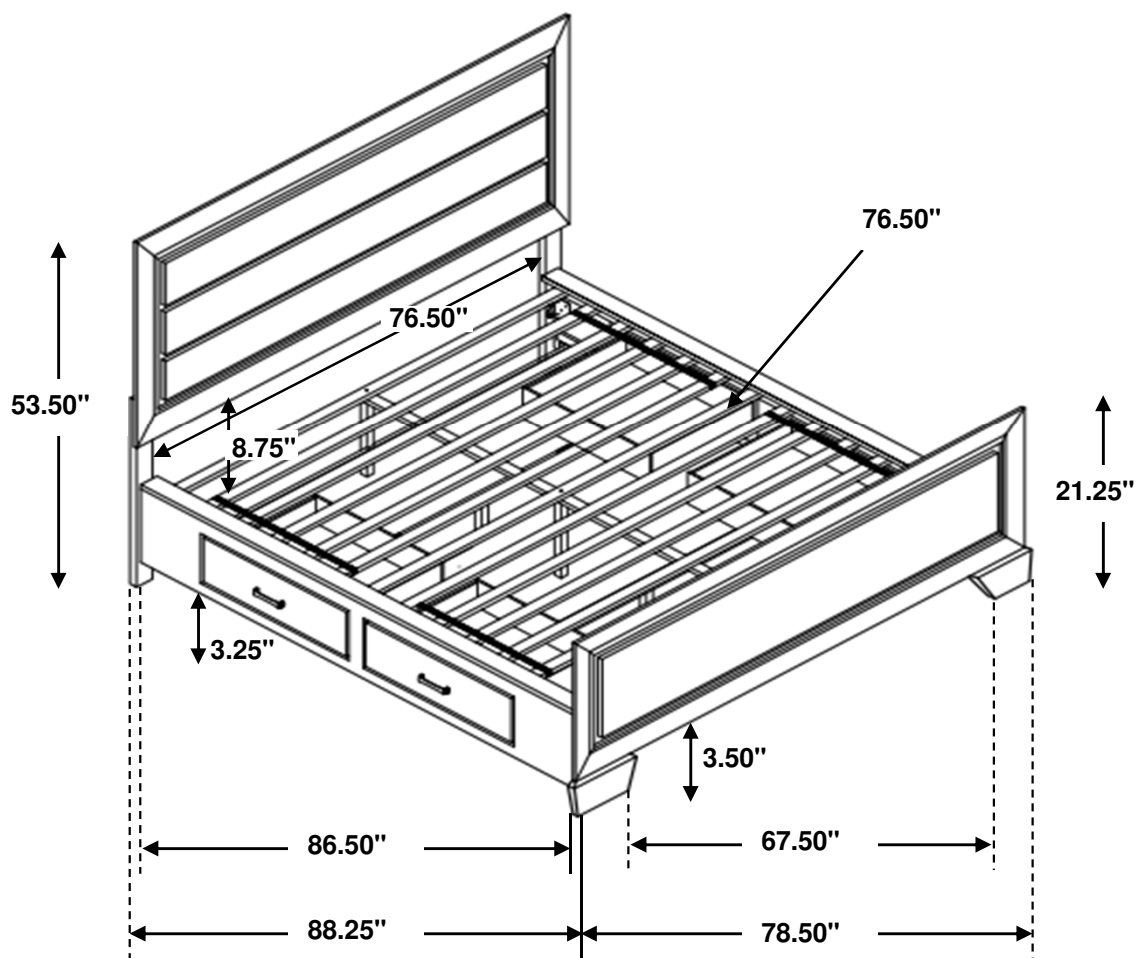


## STEP 6 COMPLETE



Inner Size : 76.50"W X 86.50"D

Inner Size of Drawer : 5.75"W X 17.75"D X 24.00"H X 0.50"T



Note : Dimension tolerance  $\pm 5\%$

# ASSEMBLY INSTRUCTIONS



*Fine Furniture for every stage of life*

**Nightstand**

REVISION 0 : 10/30/2015  
REVISION 1 : 01/21/2020  
REVISION 2 : 11/17/2025

# ASSEMBLY INSTRUCTIONS

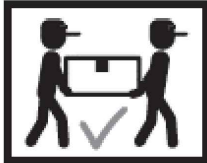
## ASSEMBLY TIPS:

- 1 . Remove hardware from box and sort by size.
- 2 . Please check to see that all hardware and parts are present prior to start of assembly.
- 3 . Please follow attached instructions in the same sequence as numbered to assure fast & easy assembly.



### WARNING !




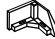

- 1 . Don't attempt to repair or modify parts that are broken or defective. Please contact the store immediately.
- 2 . This product is for home use only and not intended for commercial establishment.







ASSEMBLY TIME

20 MINUTES

## PARTS IDENTIFICATION

A	NIGHTSTAND		1PC	D	RIGHT BACK LEG (WITH BR LABEL)		1PC
B	RIGHT FRONT LEG (WITH FR LABEL)		1PC	E	LEFT BACK LEG (WITH BL LABEL)		1PC
C	LEFT FRONT LEG (WITH FL LABEL)		1PC				

## HARDWARE IDENTIFICATION

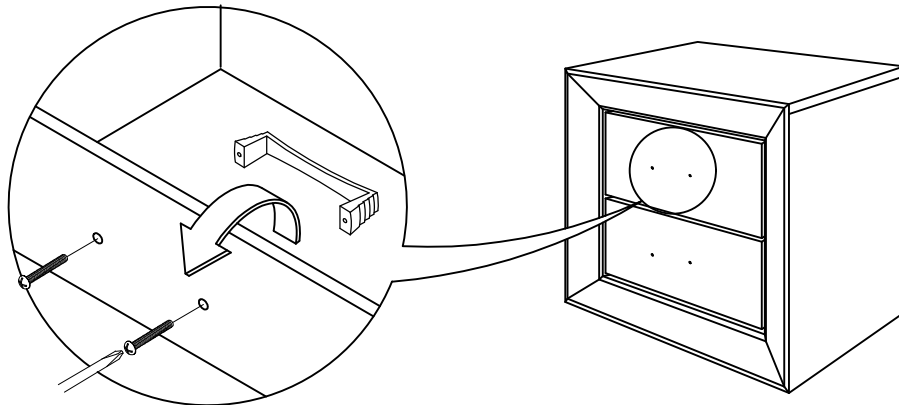
1	BOLT (M6 x 35mm - BLK)		8PCS	3	FLAT WASHER (1/4" x 20mm - BLK)		8PCS
2	LOCK WASHER (1/4" - BLK)		8PCS	4	ALLEN WRENCH (M4 x 100mm - BLK)		1PC

### NOTE:

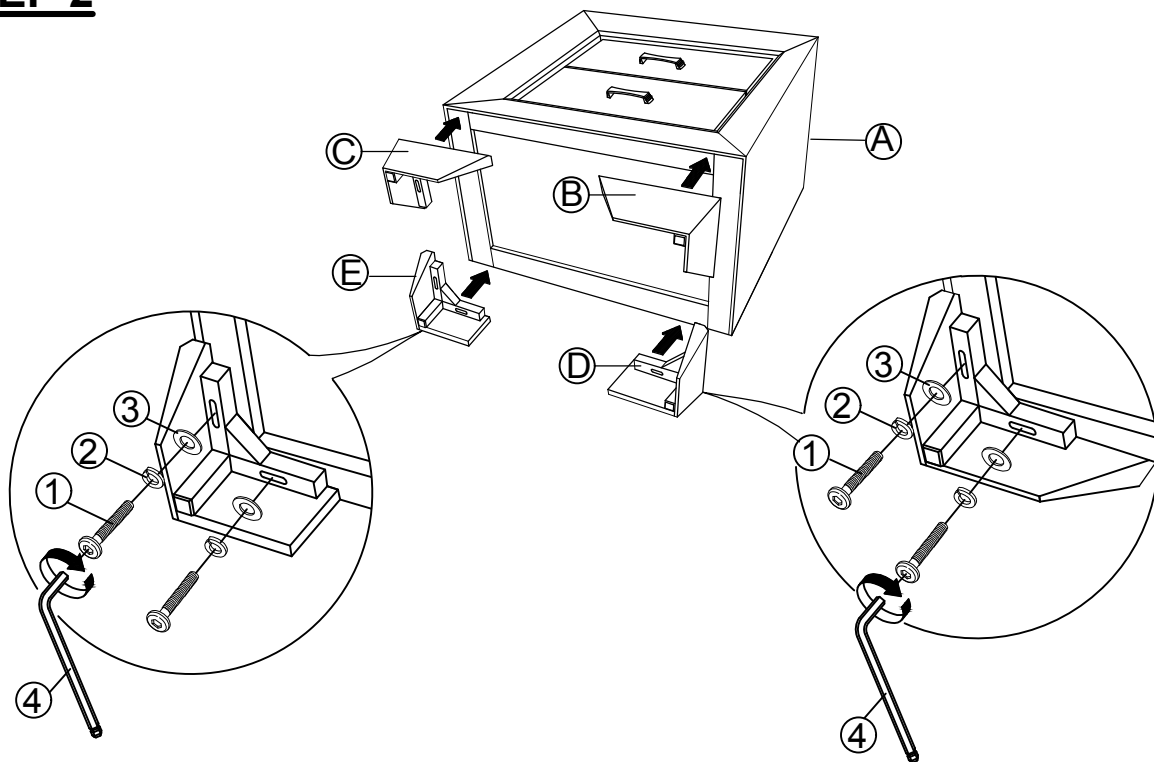
Philips head screw driver in the assembly process ; however, manufacturer does not provide the item

# ASSEMBLY INSTRUCTIONS

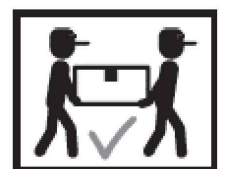
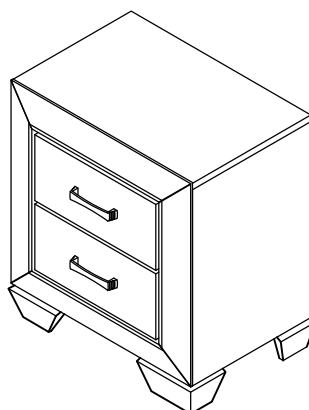
## STEP 1



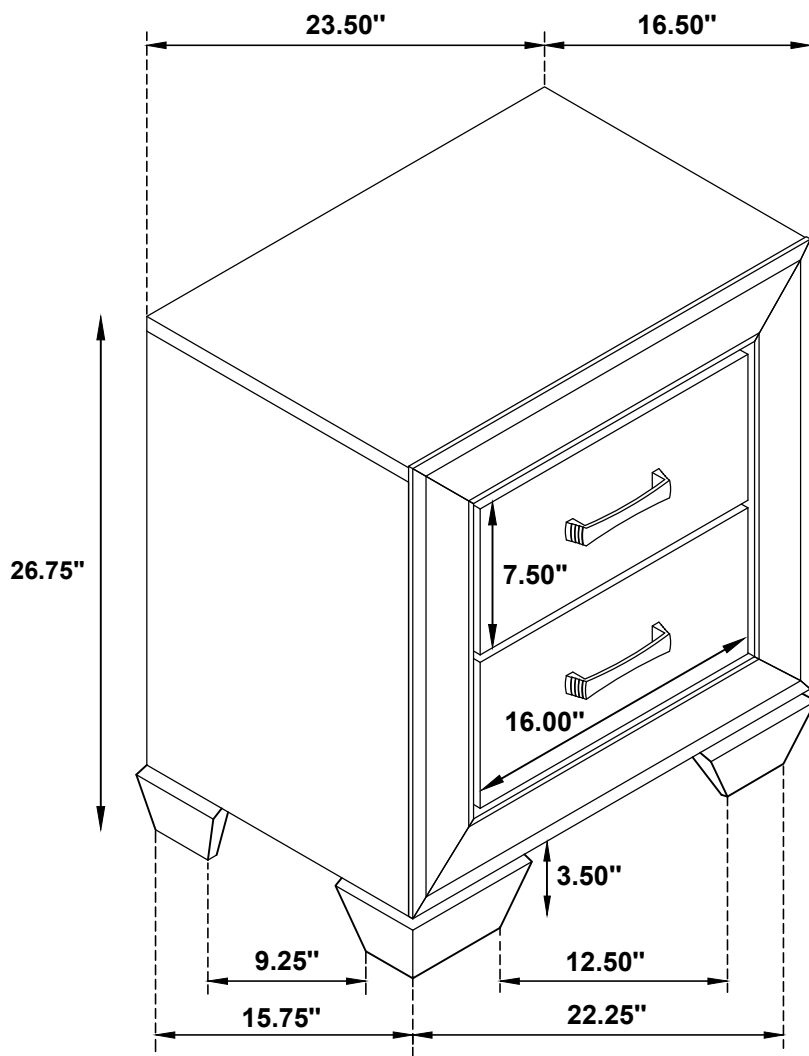
## STEP 2



## STEP 3 COMPLETE



**Inner Size Of Drawer : 12.75"W X 12.75"D X 5.00"H X 0.25"T**



**Note : Dimension tolerance  $\pm 5\%$**

# ASSEMBLY INSTRUCTIONS



*Fine Furniture for every stage of life*

***Dresser***

REVISION 0 : 10/30/2015  
REVISION 1 : 01/21/2020  
REVISION 2 : 09/14/2024  
REVISION 3 : 11/17/2025

PAGE 1 OF 6

# ASSEMBLY INSTRUCTIONS

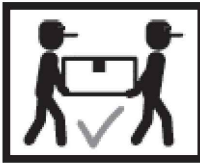
## ASSEMBLY TIPS:

- 1 . Remove hardware from box and sort by size.
- 2 . Please check to see that all hardware and parts are present prior to start of assembly.
- 3 . Please follow attached instructions in the same sequence as numbered to assure fast & easy assembly.



### WARNING !

- 1 . Don't attempt to repair or modify parts that are broken or defective. Please contact the store immediately.
- 2 . This product is for home use only and not intended for commercial establishment.



ASSEMBLY TIME

20 MINUTES

## PARTS IDENTIFICATION

A DRESSER		1PC	D RIGHT BACK LEG (WITH BR LABEL)		1PC
B RIGHT FRONT LEG (WITH FR LABEL)		1PC	E LEFT BACK LEG (WITH BL LABEL)		1PC
C LEFT FRONT LEG (WITH FL LABEL)		1PC	F SUPPORT LEG		1PC

## HARDWARE IDENTIFICATION

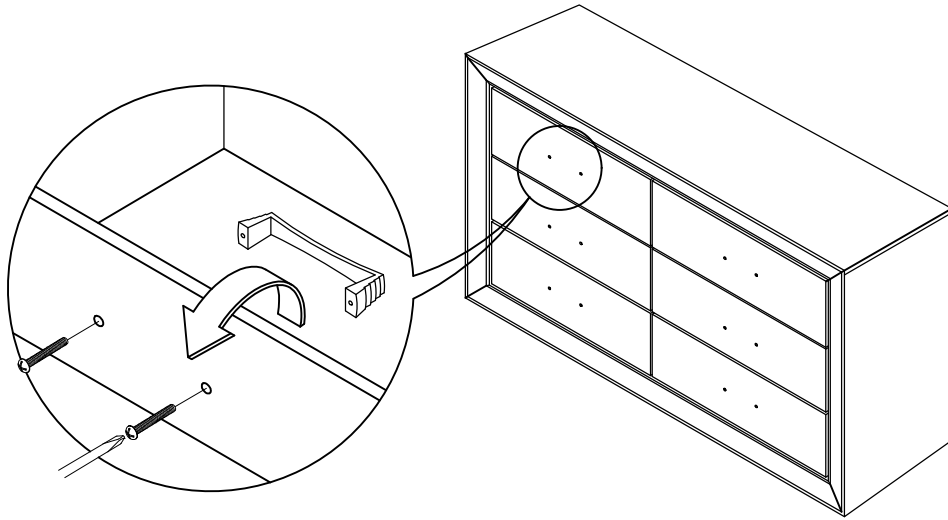
1 BOLT (M6 x 35mm - BLK)		8PCS	3 FLAT WASHER (1/4" x 20mm - BLK)		8PCS
2 LOCK WASHER (1/4" - BLK)		8PCS	4 ALLEN WRENCH (M4 x 100mm - BLK)		1PC

### NOTE:

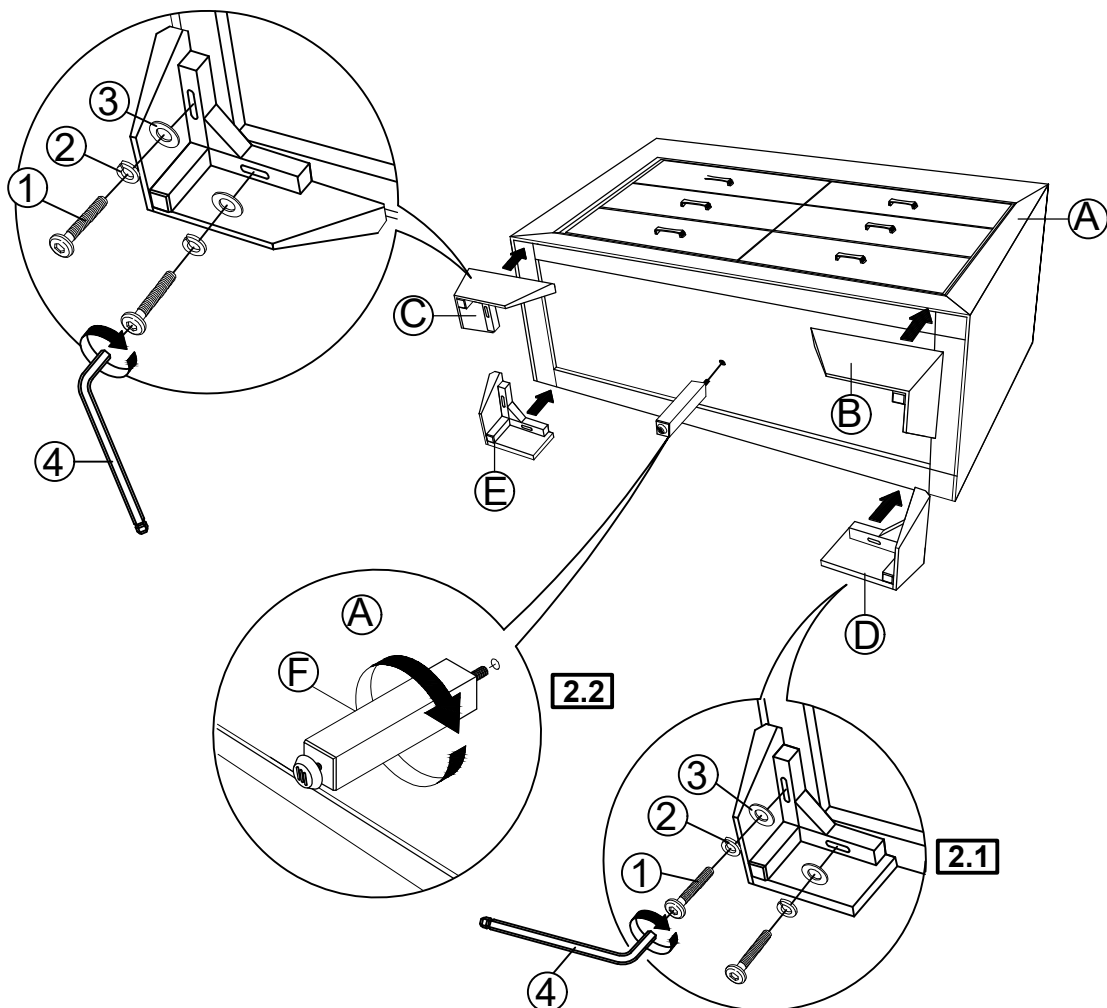
Philips head screw driver in the assembly process ; however, manufacturer does not provide the item

# ASSEMBLY INSTRUCTIONS

## STEP 1

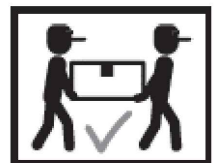
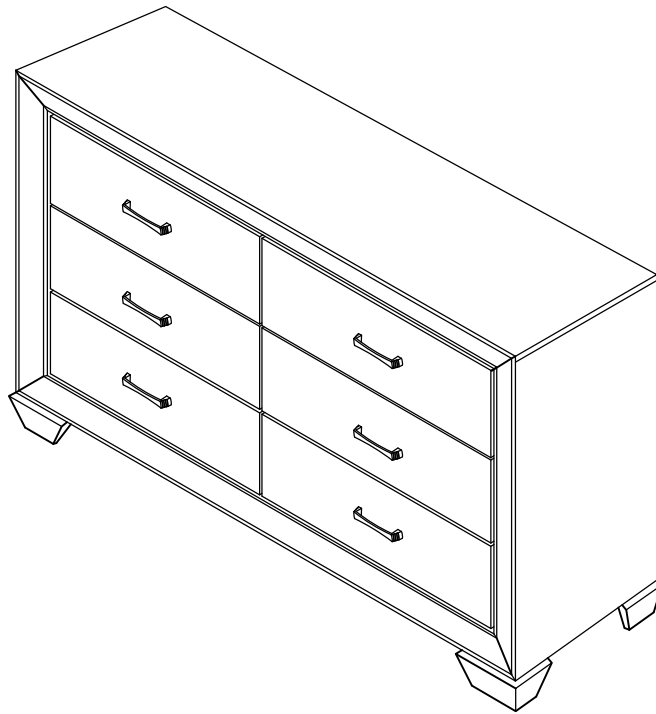


## STEP 2



# ASSEMBLY INSTRUCTIONS

## STEP 3 COMPLETE



## ANTI-TIPPING INSTALLATION INSTRUCTIONS

### FURNITURE TIPPING RESTRAINT

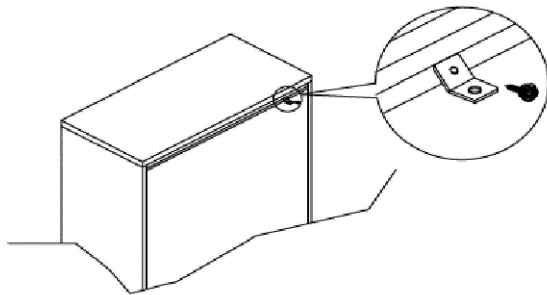
#### WARNING

Injury may result from tipping furniture.  
This restraint may protect against tipping furniture.  
Do not allow children to climb on furniture.  
This restraint is not a substitute for proper adult supervision.  
Failure to detach this restraint before moving the furniture may result in injury and damage.

This restraint must be screwed to a wood stud on the wall, using the long screw provided.

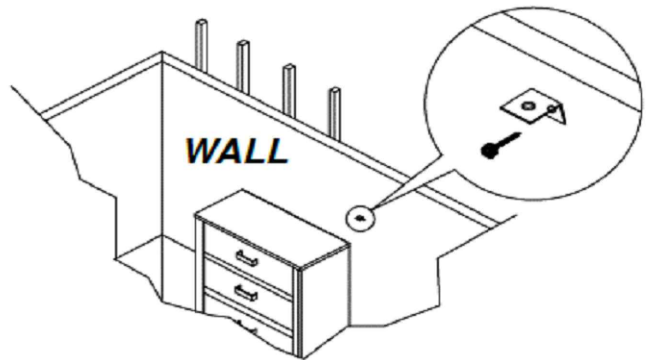
#### STEP 1

Secure the bracket to the back top of the unit, using the short screw provided, as shown in the drawing.



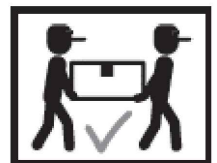
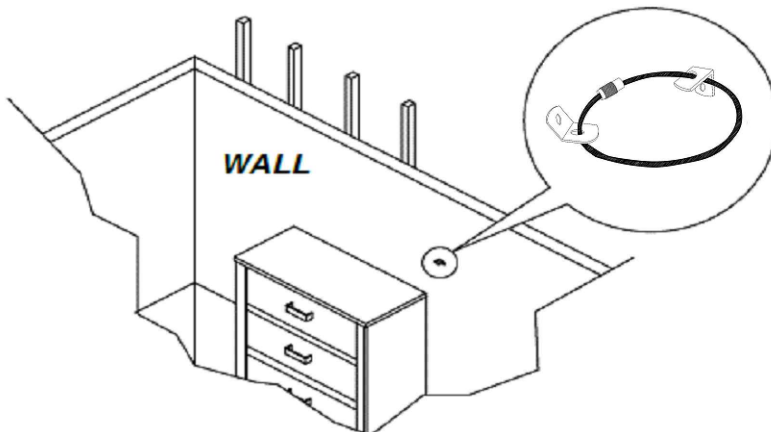
#### STEP 2

Locate the wood stud on the wall and secure the other bracket 2 inches below the back of the unit, using the long screw.

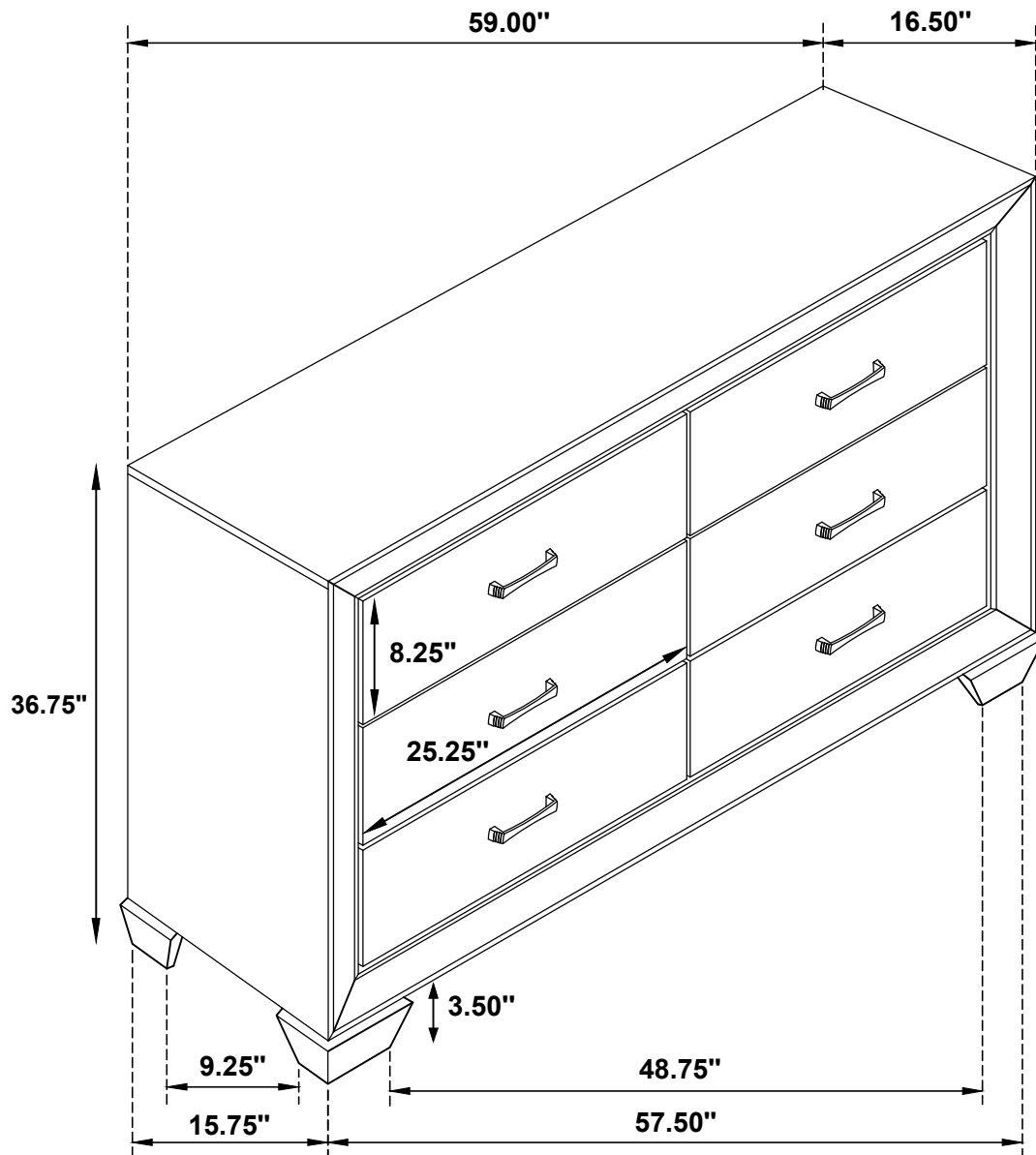


#### STEP 3

Place the furniture into position so both mounting brackets are vertically in line. Lace the threaded end of the restraint strap through the hole in each mounting bracket. Bring both ends together and rotate the thumb nut onto the threaded end until tight. Ensure that the restraint strap is securely laced and locked.



**Inner Size Of Drawer : 23.25"W X 12.75"D X 5.00"H X 0.25"T**



**Note : Dimension tolerance  $\pm 5\%$**

# ASSEMBLY INSTRUCTIONS



*Fine Furniture for every stage of life*

**Mirror**

REVISION 0 : 06/17/2015  
REVISION 1 : 06/24/2016  
REVISION 2 : 01/21/2020

# ASSEMBLY INSTRUCTIONS

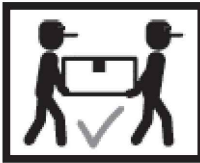
## ASSEMBLY TIPS:

- 1 . Remove hardware from box and sort by size.
- 2 . Please check to see that all hardware and parts are present prior to start of assembly.
- 3 . Please follow attached instructions in the same sequence as numbered to assure fast & easy assembly.

### WARNING !



- 1 . Don't attempt to repair or modify parts that are broken or defective. Please contact the store immediately.
- 2 . This product is for home use only and not intended for commercial establishment.

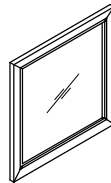


ASSEMBLY TIME

20 MINUTES

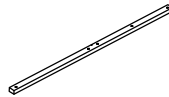
## PARTS IDENTIFICATION

A MIRROR



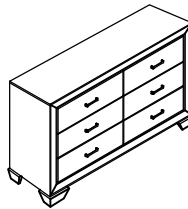
1PC

B MIRROR SUPPORT  
(PACKAGED WITH DRESSER)



2PCS

C DRESSER



1PC

## HARDWARE IDENTIFICATION

1 PAN HEAD SCREW  
(M4 X32mm - BLK)



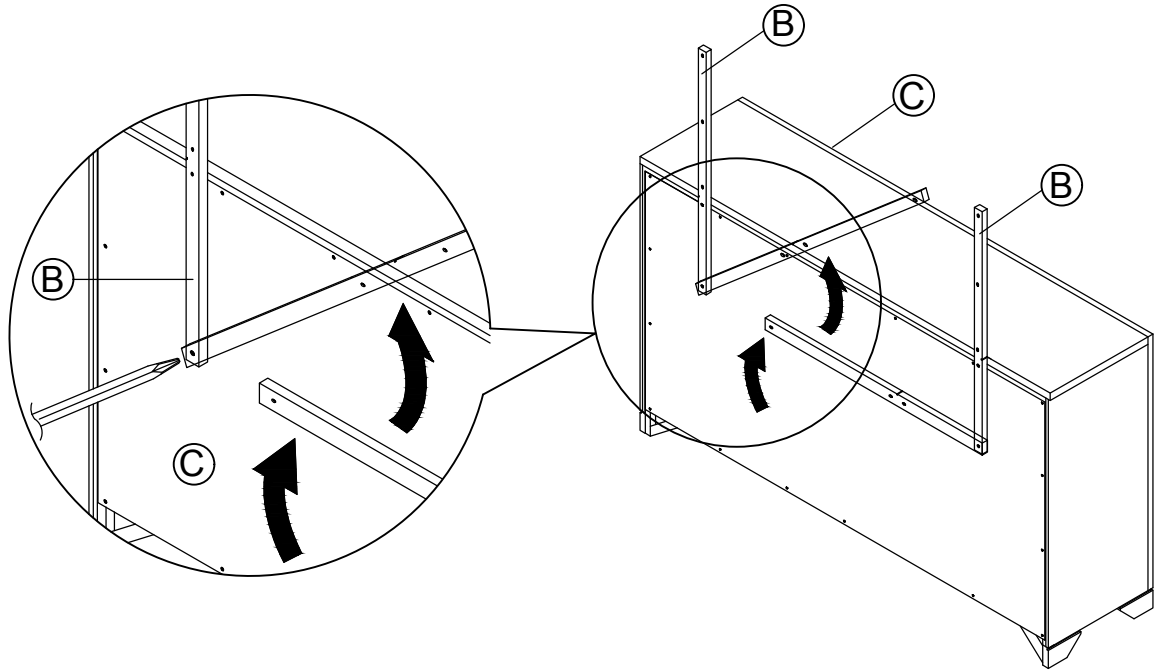
8PCS

### NOTE:

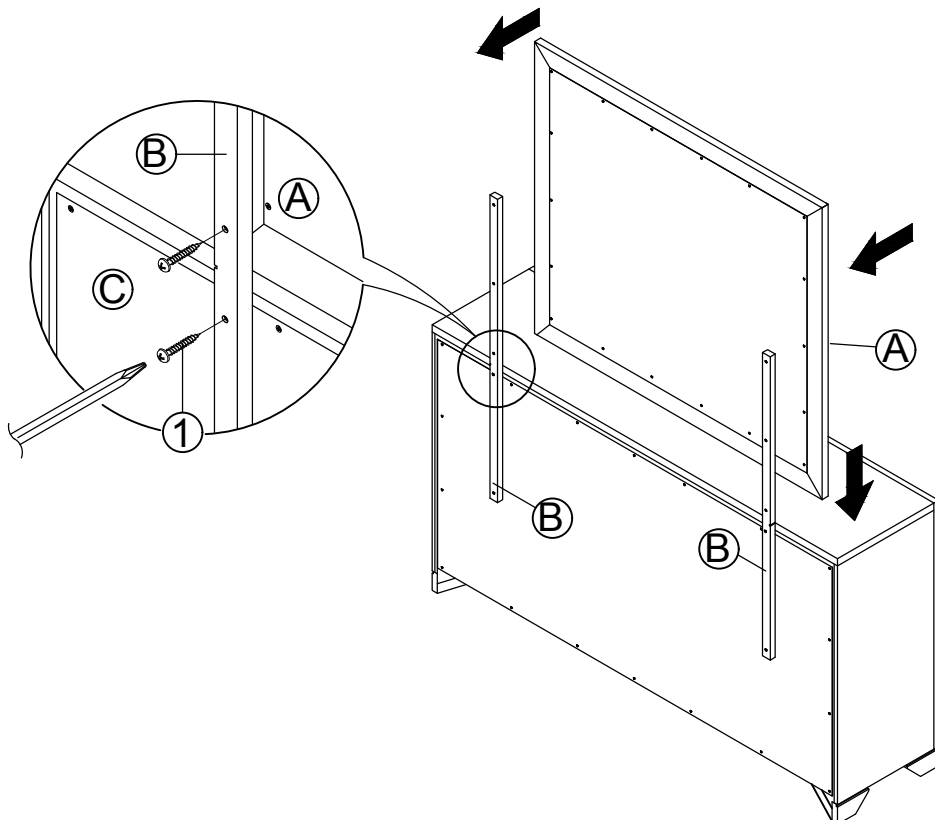
Philips head screw driver in the assembly process ; however, manufacturer does not provide the item

# ASSEMBLY INSTRUCTIONS

## STEP 1



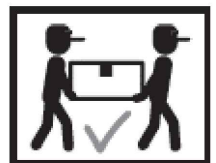
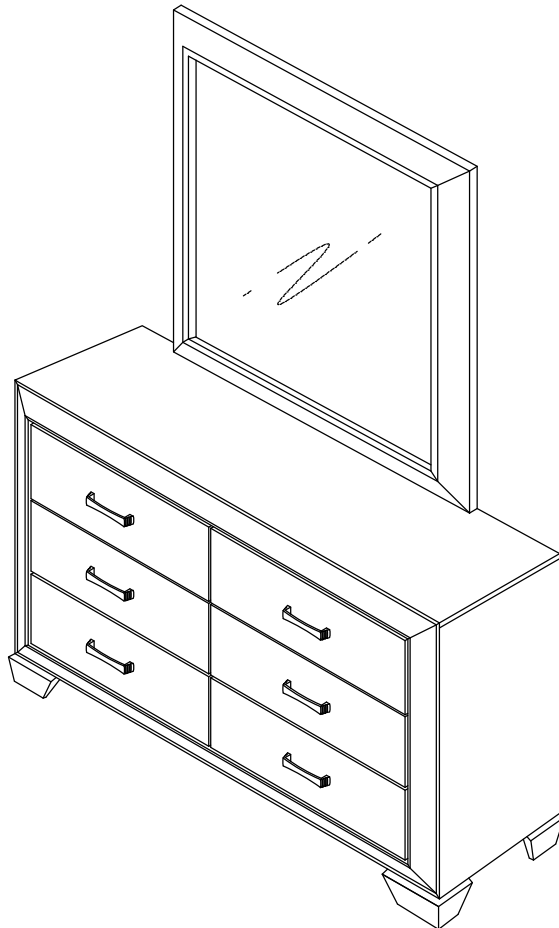
## STEP 2

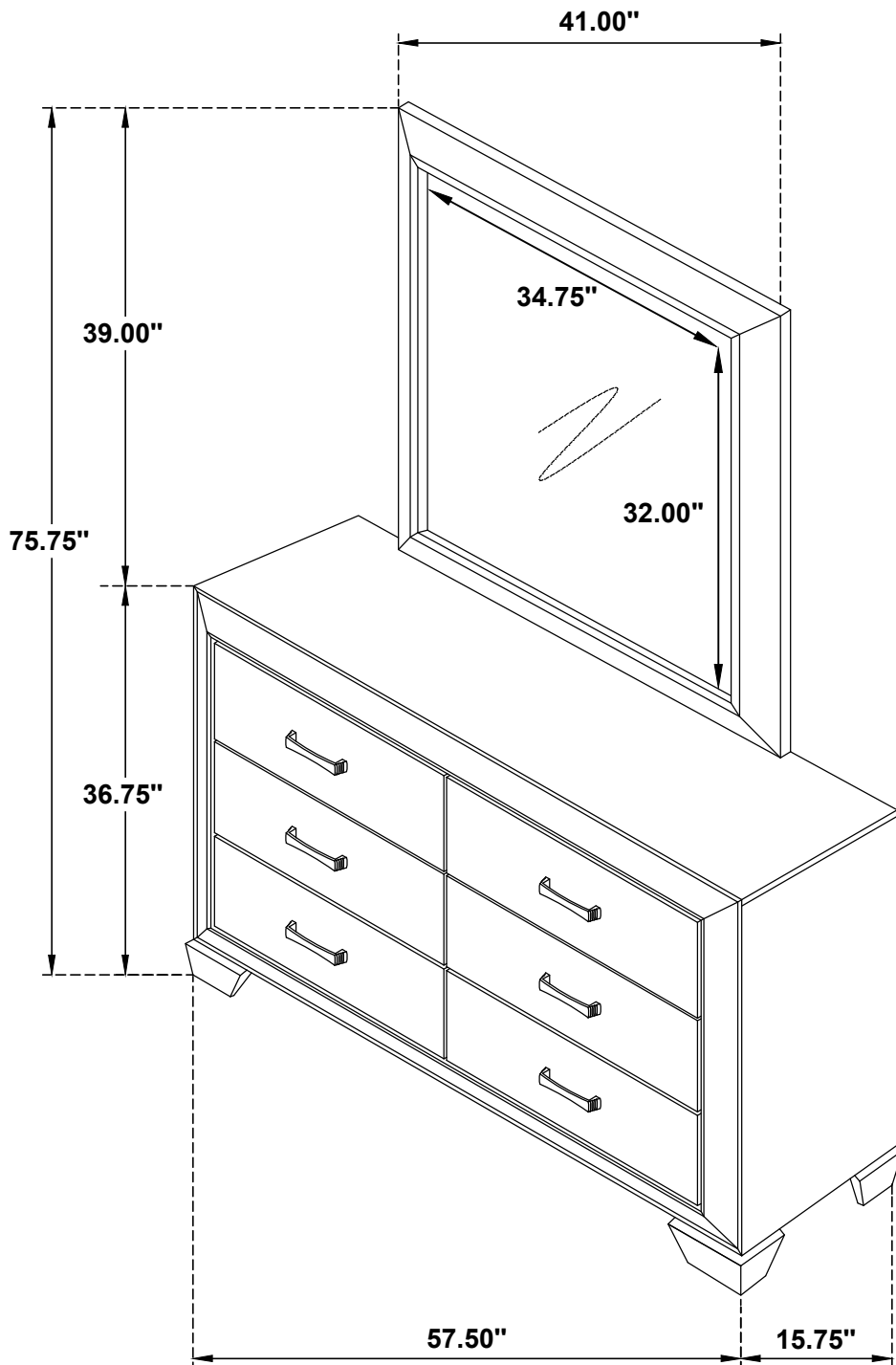


# ASSEMBLY INSTRUCTIONS

## STEP 3

COMPLETE





**Note: Dimension tolerance  $\pm 5\%$**

# ASSEMBLY INSTRUCTIONS



*Fine Furniture for every stage of life*

**Chest**

REVISION 0 : 10/30/2015  
REVISION 1 : 01/21/2020  
REVISION 2 : 09/14/2024  
REVISION 3 : 11/17/2025

PAGE 1 OF 6

# ASSEMBLY INSTRUCTIONS

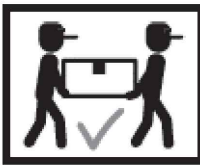
## ASSEMBLY TIPS:

- 1 . Remove hardware from box and sort by size.
- 2 . Please check to see that all hardware and parts are present prior to start of assembly.
- 3 . Please follow attached instructions in the same sequence as numbered to assure fast & easy assembly.



### WARNING !

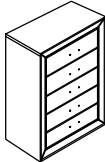
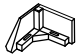

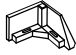
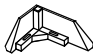
- 1 . Don't attempt to repair or modify parts that are broken or defective. Please contact the store immediately.
- 2 . This product is for home use only and not intended for commercial establishment.



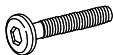



ASSEMBLY TIME

20 MINUTES

## PARTS IDENTIFICATION

A	CHEST		1PC	D	RIGHT BACK LEG (WITH BR LABEL)		1PC
B	RIGHT FRONT LEG (WITH FR LABEL)		1PC	E	LEFT BACK LEG (WITH BL LABEL)		1PC
C	LEFT FRONT LEG (WITH FL LABEL)		1PC				

## HARDWARE IDENTIFICATION

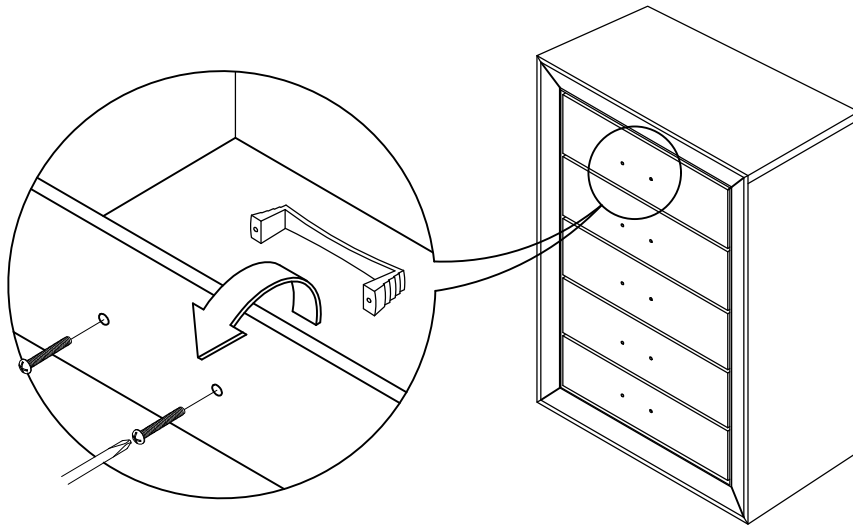
1	BOLT (M6 x 35mm - BLK)		8PCS	3	FLAT WASHER (1/4" x 20mm - BLK)		8PCS
2	LOCK WASHER (1/4" - BLK)		8PCS	4	ALLEN WRENCH (M4 x 100mm - BLK)		1PC

### NOTE:

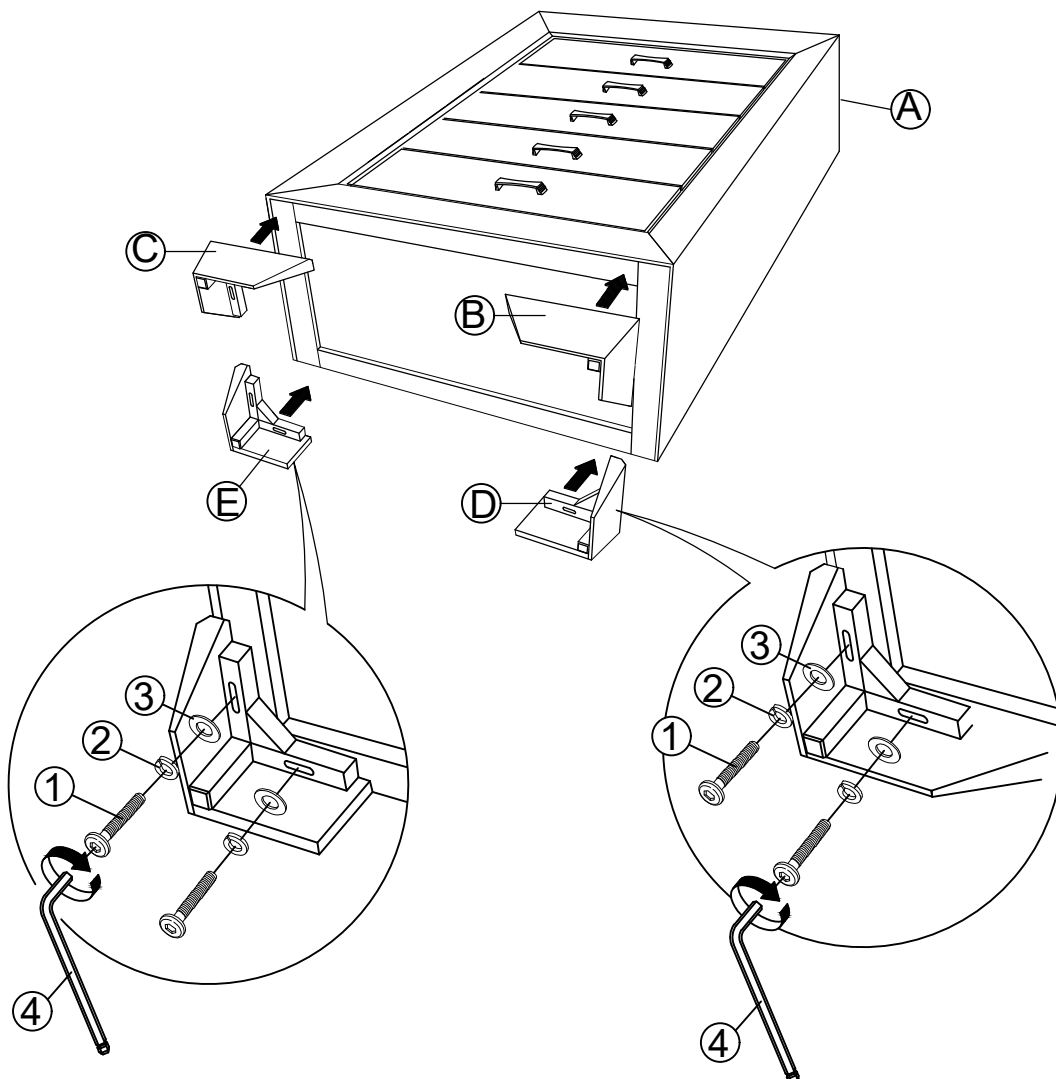
Philips head screw driver in the assembly process ; however, manufacturer does not provide the item

# ASSEMBLY INSTRUCTIONS

## STEP 1

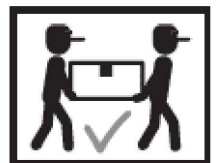
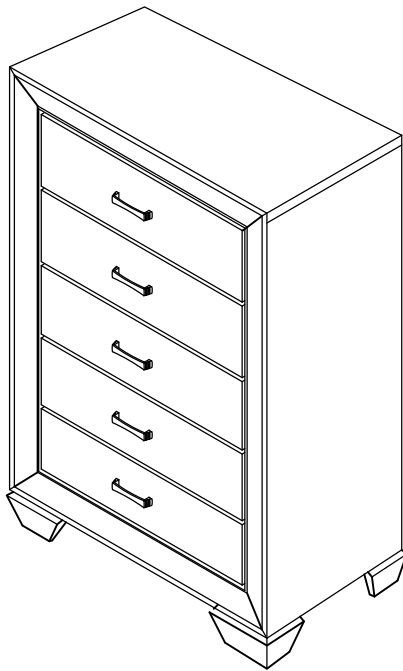


## STEP 2



# ASSEMBLY INSTRUCTIONS

## STEP 3 COMPLETE



## ANTI-TIPPING INSTALLATION INSTRUCTIONS

### FURNITURE TIPPING RESTRAINT

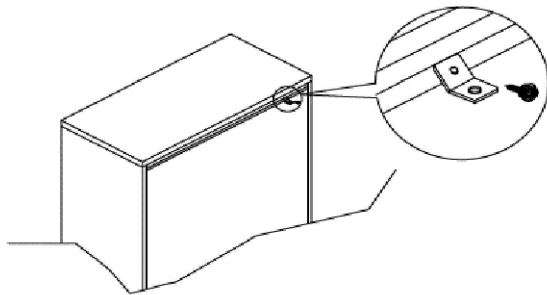
#### WARNING

Injury may result from tipping furniture.  
This restraint may protect against tipping furniture.  
Do not allow children to climb on furniture.  
This restraint is not a substitute for proper adult supervision.  
Failure to detach this restraint before moving the furniture may result in injury and damage.

This restraint must be screwed to a wood stud on the wall, using the long screw provided.

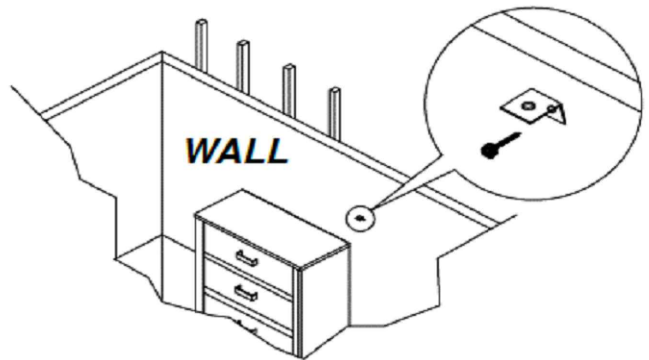
#### STEP 1

Secure the bracket to the back top of the unit, using the short screw provided, as shown in the drawing.



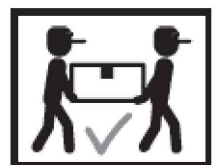
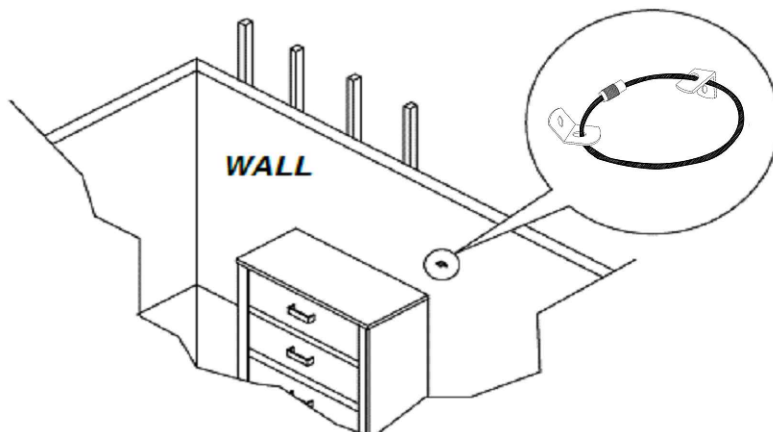
#### STEP 2

Locate the wood stud on the wall and secure the other bracket 2 inches below the back of the unit, using the long screw.

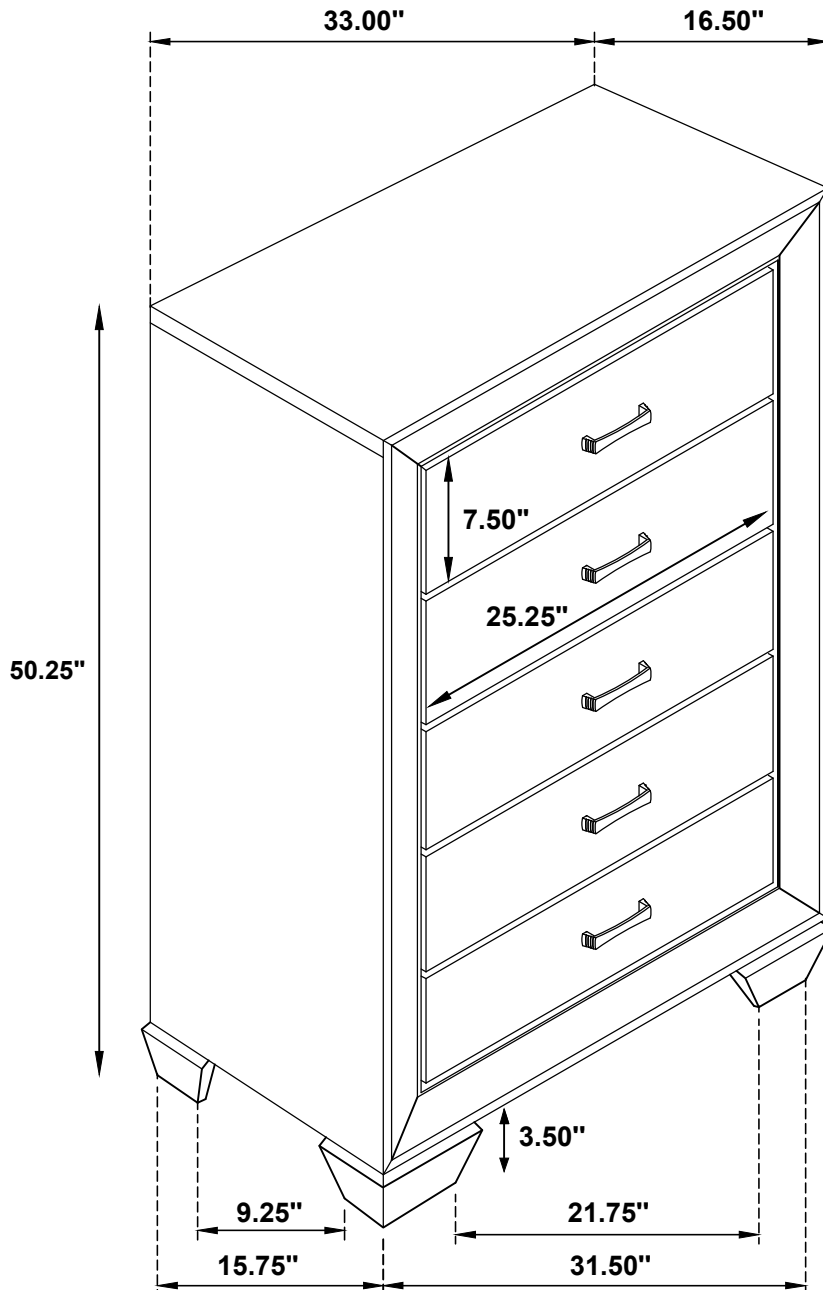


#### STEP 3

Place the furniture into position so both mounting brackets are vertically in line. Lace the threaded end of the restraint strap through the hole in each mounting bracket. Bring both ends together and rotate the thumb nut onto the threaded end until tight. Ensure that the restraint strap is securely laced and locked.



**Inner Size Of Drawer : 23.25"W X 12.75"D X 5.00"H X 0.25"T**



**Note : Dimension tolerance  $\pm 5\%$**