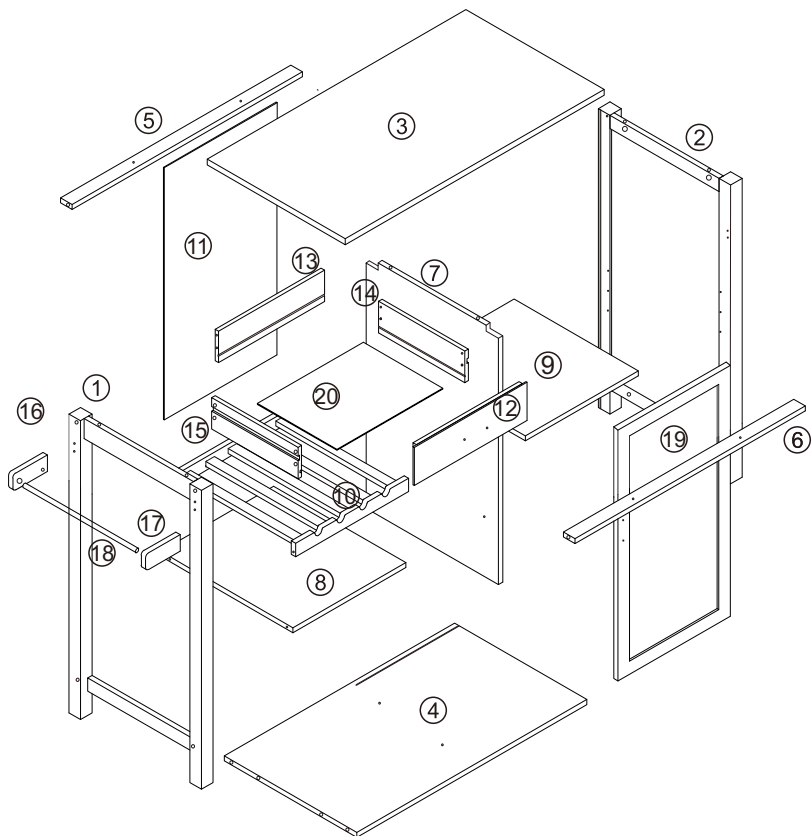
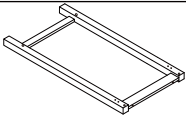
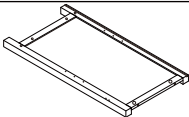
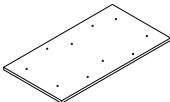
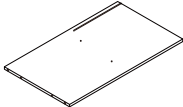
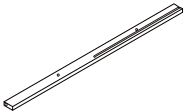
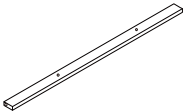
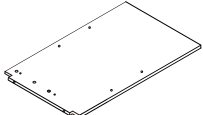
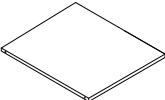


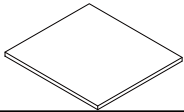
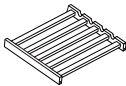
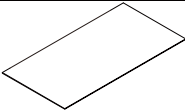
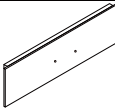
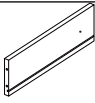
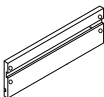
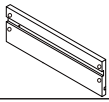
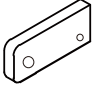
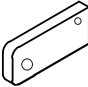
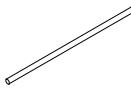
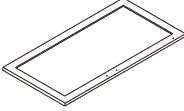
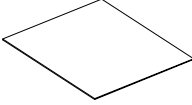
**USER'S MANUAL**  
**Kitchen Cart**

# PRODUCT ASSEMBLY

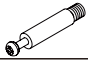







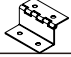
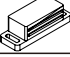

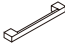


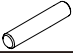



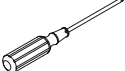


ITEM	PART	QTY	ITEM	PART	QTY
①		1PC	②		1PC
③		1PC	④		1PC
⑤		1PC	⑥		1PC
⑦		1PC	⑧		1PC

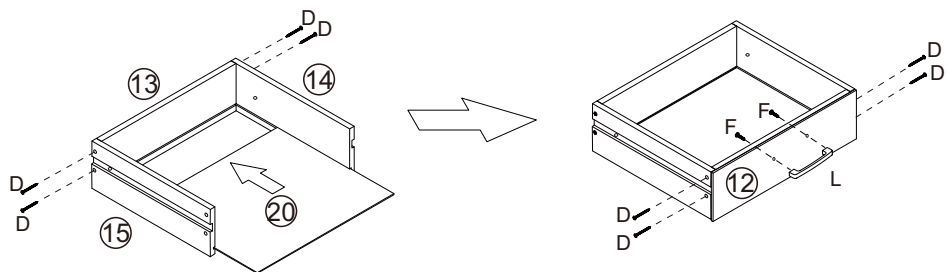
**PRODUCT ASSEMBLY**

ITEM	PART	QTY	ITEM	PART	QTY
⑨		1PC	⑩		1PC
⑪		1PC	⑫		1PC
⑬		1PC	⑭		1PCS
⑮		1PC	⑯		1PC
⑰		1PC	⑱		1PC
⑲		1PC	⑳		1PC

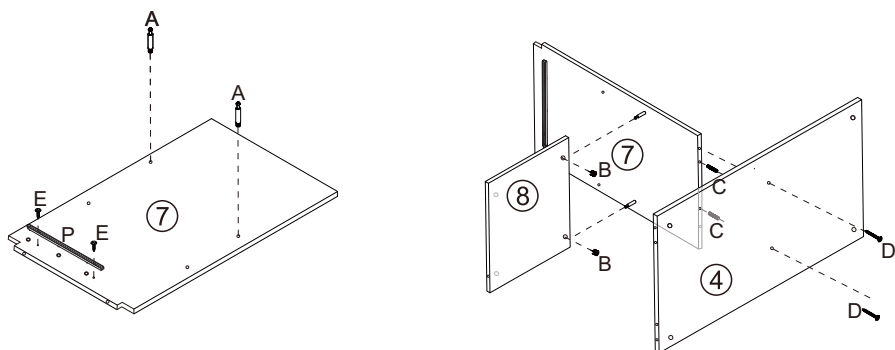
**Hardware List**

ITEM	PART	QTY	ITEM	PART	QTY
A		10PCS	B		10PCS
C		12PCS	D	 $\phi 4 \times 30$	14PCS
E	 $\phi 3 \times 12$	13PCS	F	 $\phi 4 \times 20$	4PCS
G		10PCS	H	 $\phi 6 \times 60$	10PCS
I		2PCS	J		1PC
K		1PC	L		2PCS
M		2PCS	N		2PCS
O		4PCS	P		2PCS
Q		2PCS	R	 $\phi 3 \times 16$	2PCS
ADDITIONAL TOOLS (NOT INCLUDED)					

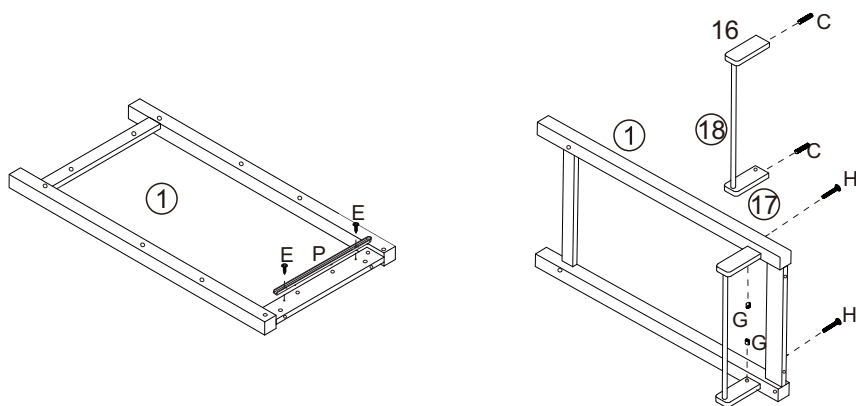
1



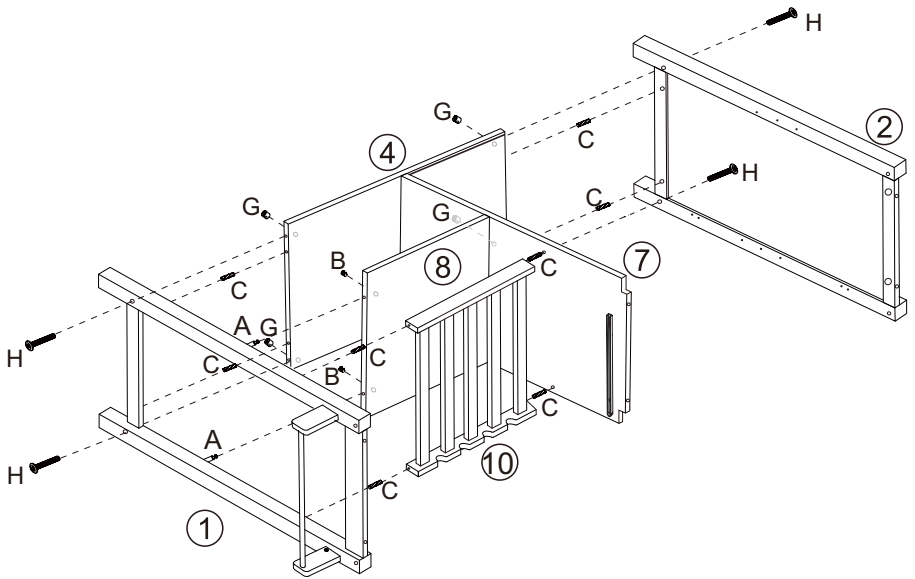
2



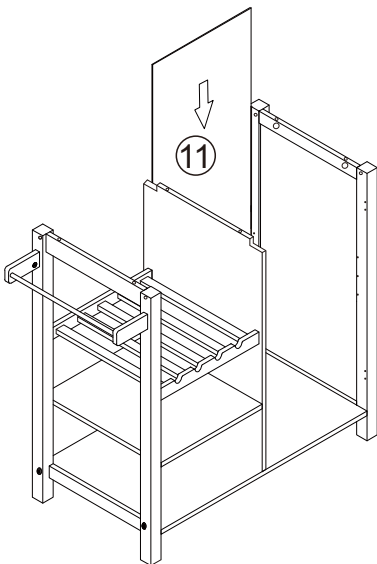
3



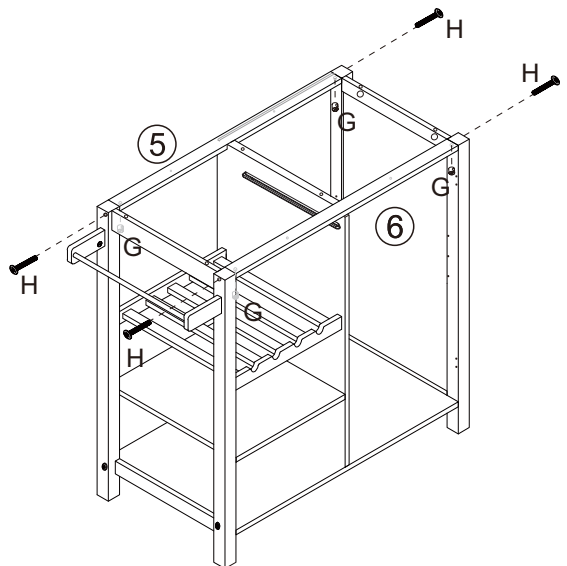
4



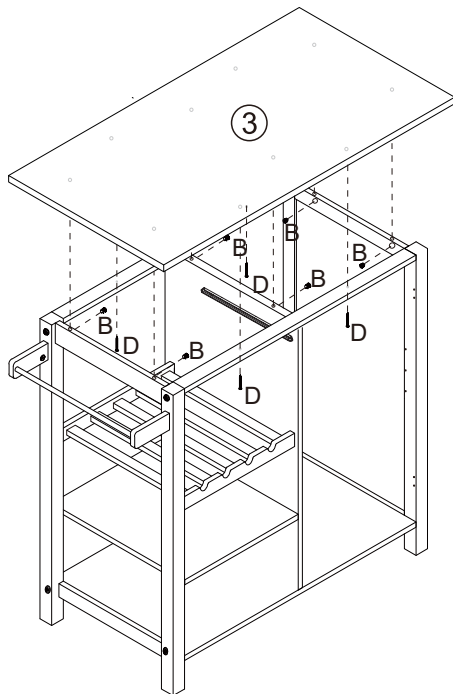
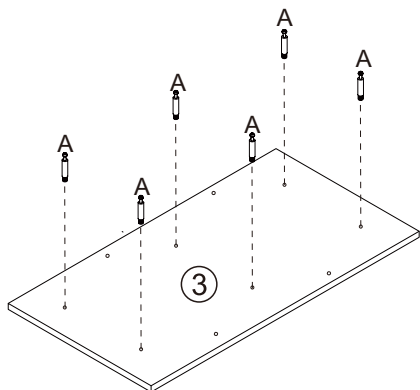
5



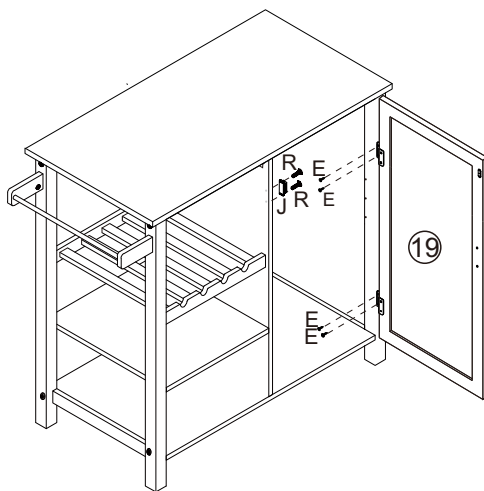
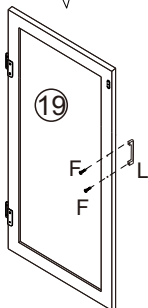
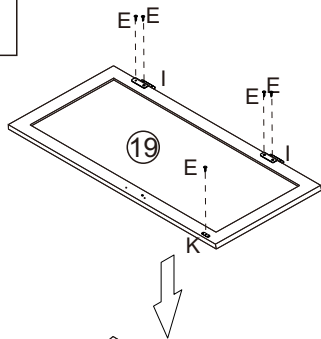
6



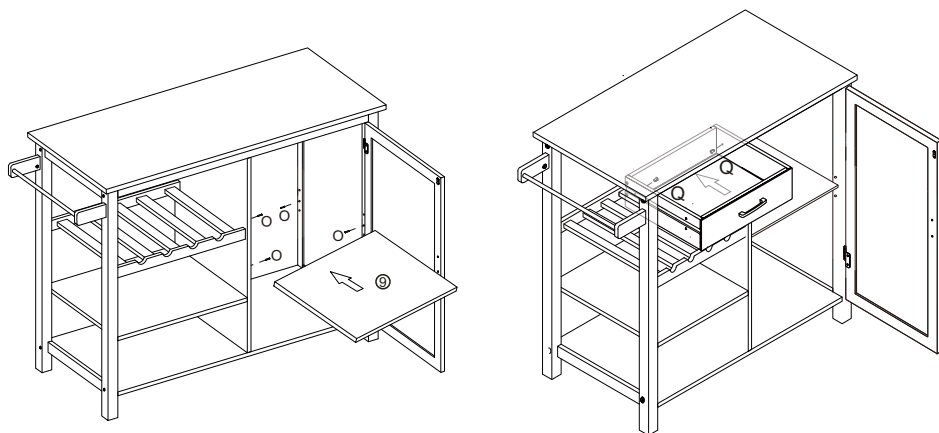
7



8



9



10

