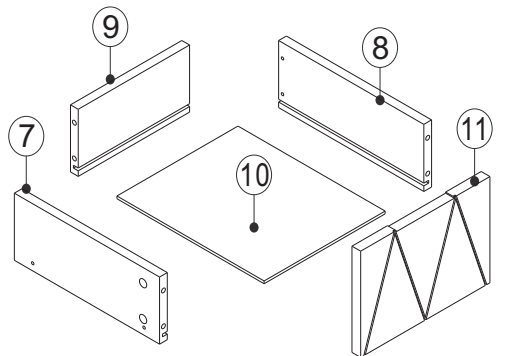
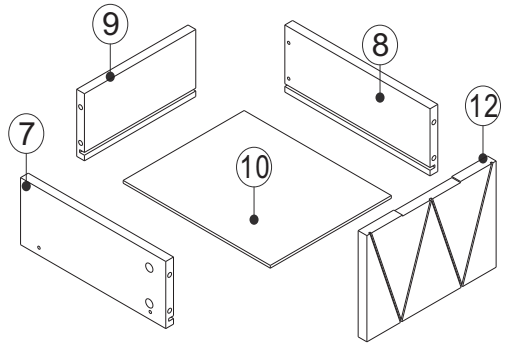
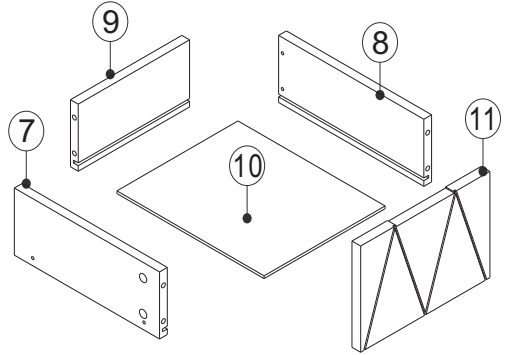
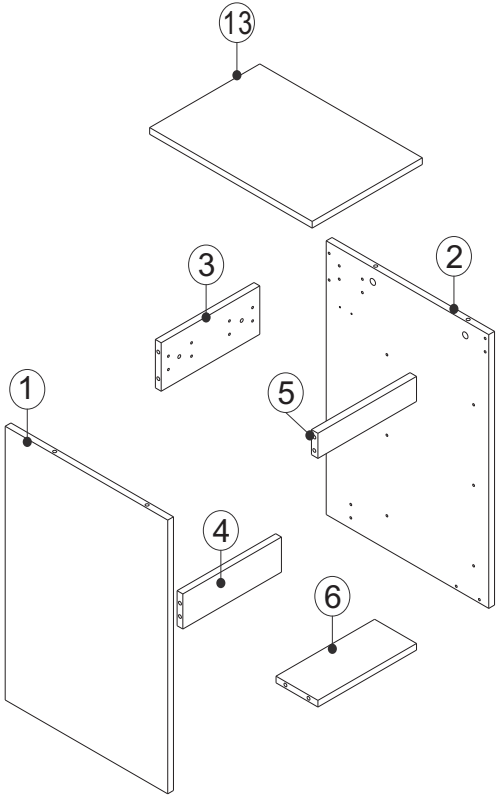




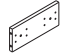

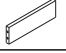

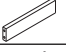


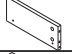

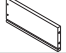

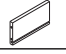
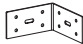


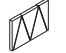

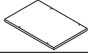


INSTALLATION INSTRUCTIONS

ASSEMBLY DIAGRAM

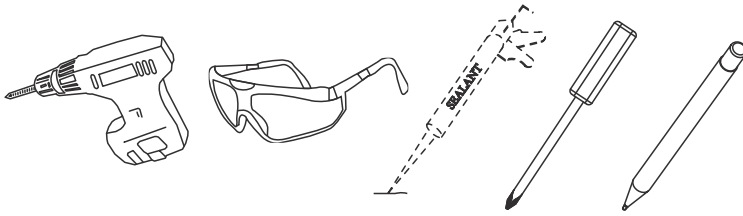


PARTS LIST

PARTS LIST			HARDWARE LIST		
No.	Description	QTY	No.	Description	QTY
1		1	14	 Three-in-one Connector	44
2		1	15	 Screws	40
3		1	16	 Handle	3
4		1	17	 Slider	6
5		1			
6		1	18	 Hanger	2
7		3		 ST4×30 Screws	4
8		3		 ST4×50 Screws	6
9		3		19	 Bracket
10		3	20	 Screws For Fix On The Wall	2
11		2			
12		1			
13		1			

CAUTION: Please confirm the parts list before installation

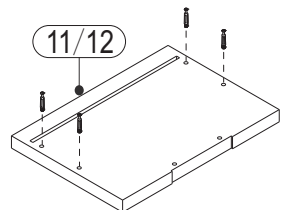
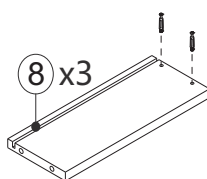
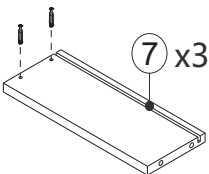
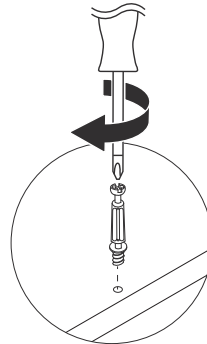
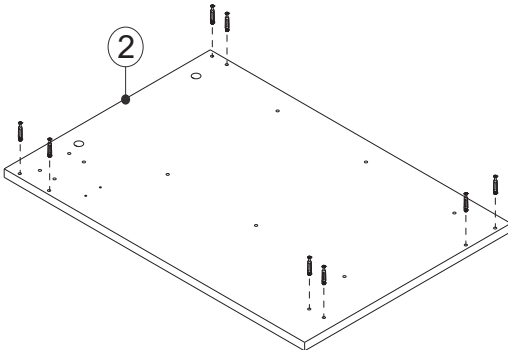
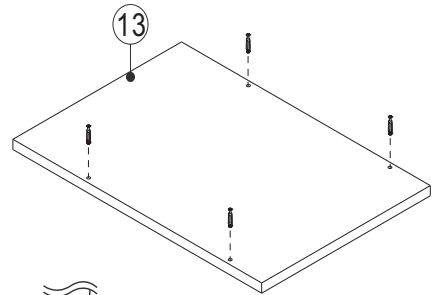
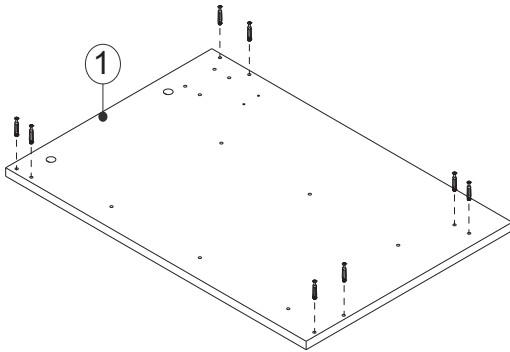
YOU MAY NEED (NOT SUPPLIED)



INSTALLATIONS

STEP 1

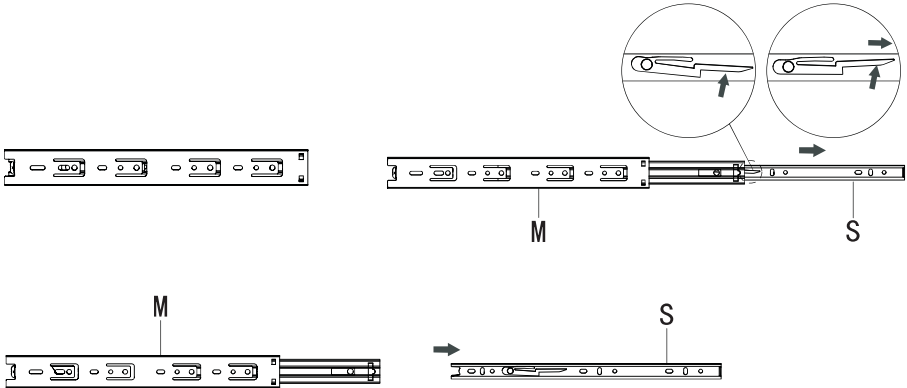
HARDWARE LIST	
⑭	44 PCS
	



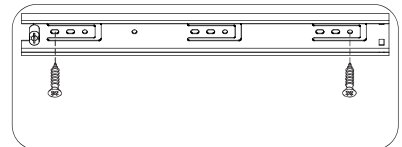
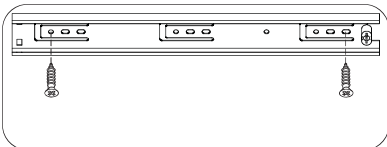
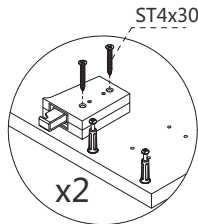
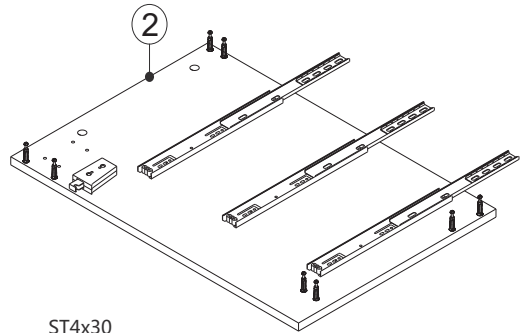
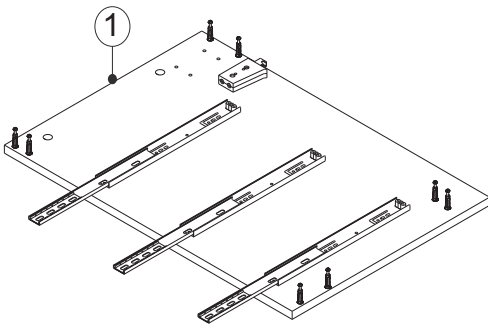
● Insert the Cam Screw into the shelves above.

STEP 2

HARDWARE LIST	
15	12PCS
17	6PCS
18	2PCS
18	4PCS



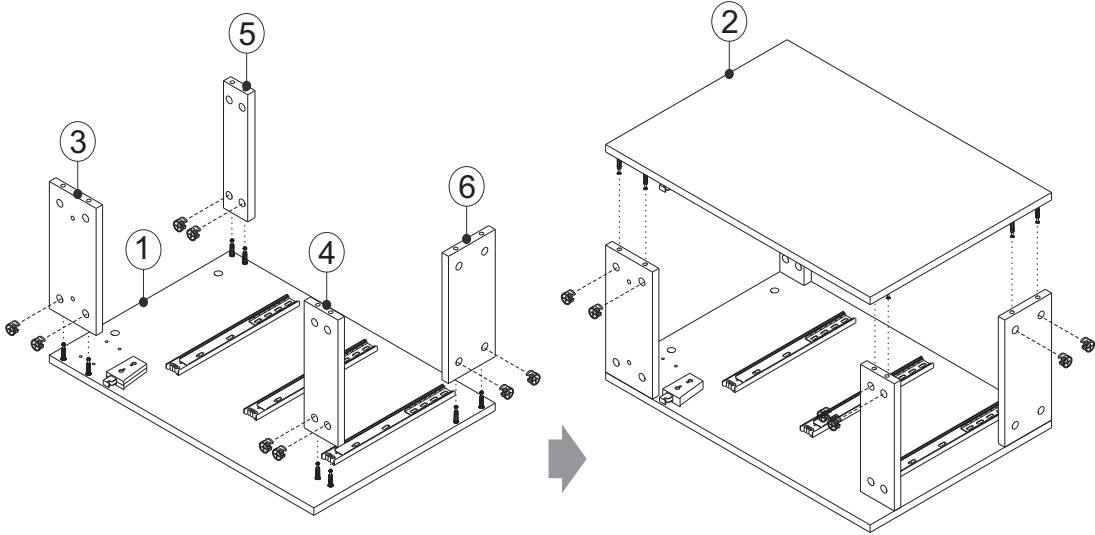
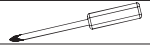
● Keep pressing here, then pull out to devide the slide.



STEP 2

HARDWARE LIST

14  16PCS

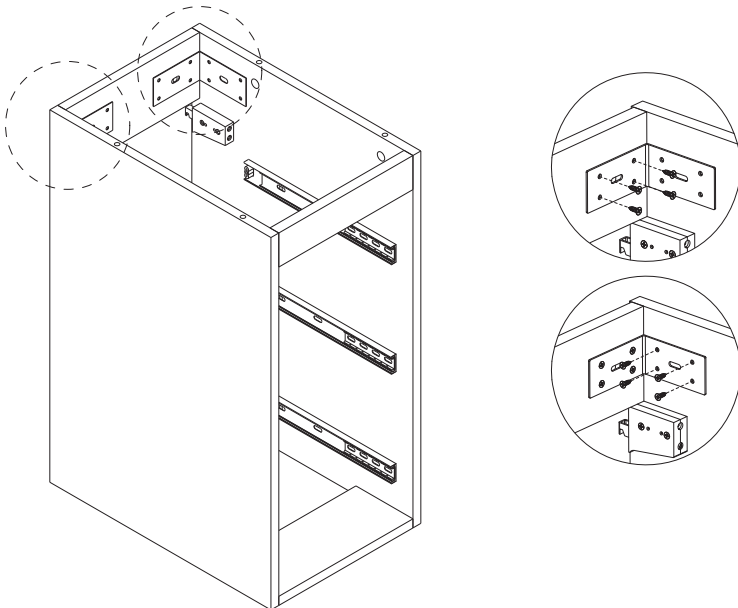
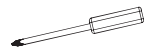


STEP 3

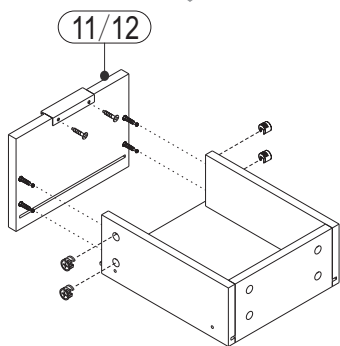
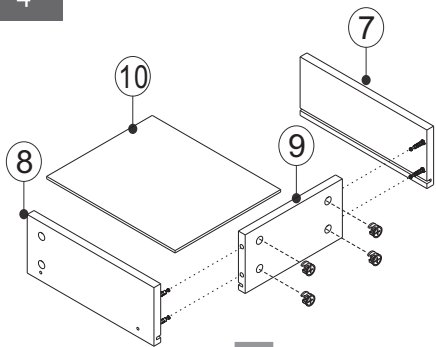
HARDWARE LIST

15  16PCS

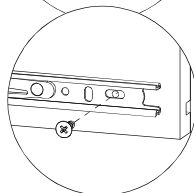
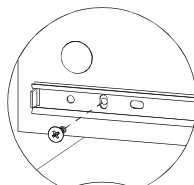
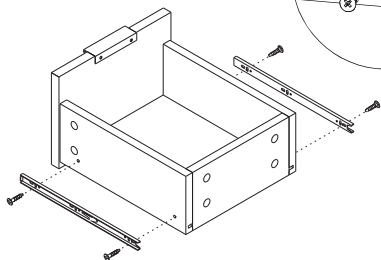
19  2PCS



STEP 4

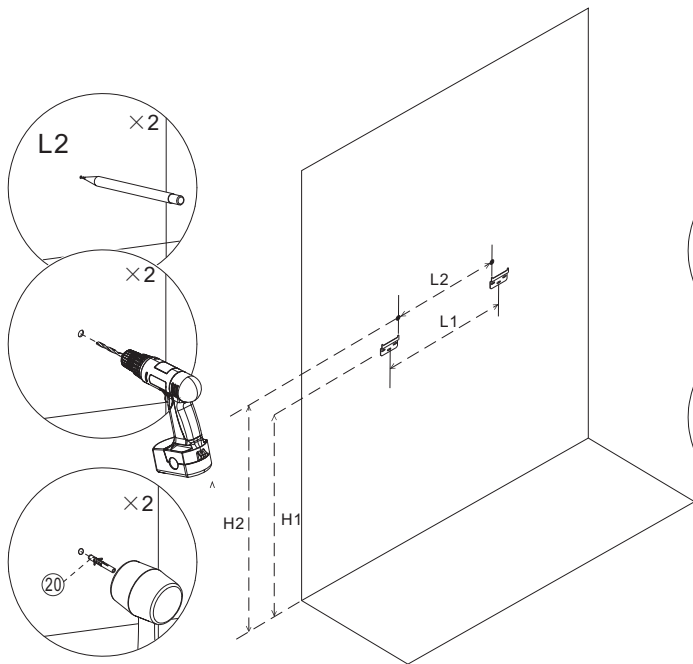


x3

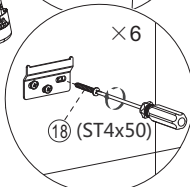
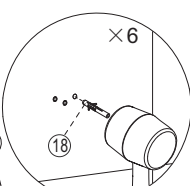
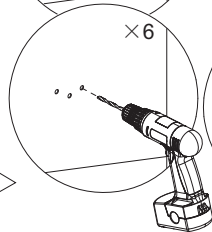
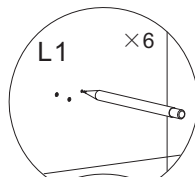


HARDWARE LIST	
⑭	24PCS
⑮	12PCS
⑯	3PCS
⑰	6PCS

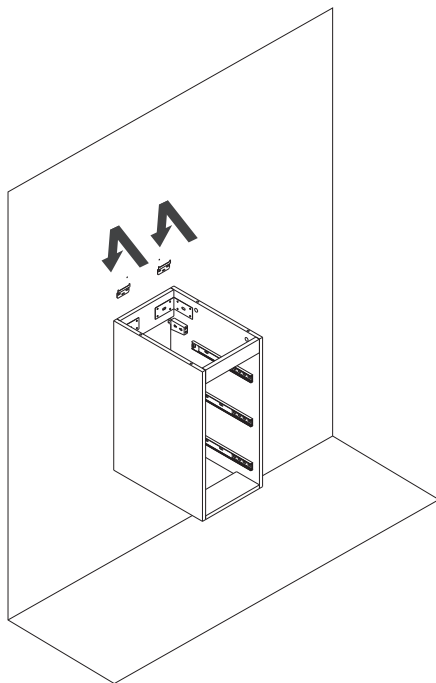
STEP 5



HARDWARE LIST	
⑱	2PCS
⑱ (ST4x50)	6PCS
⑱	6PCS
⑳	2PCS

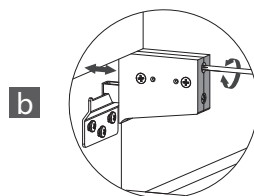
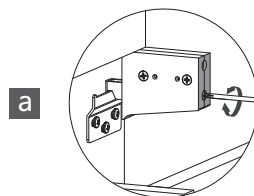
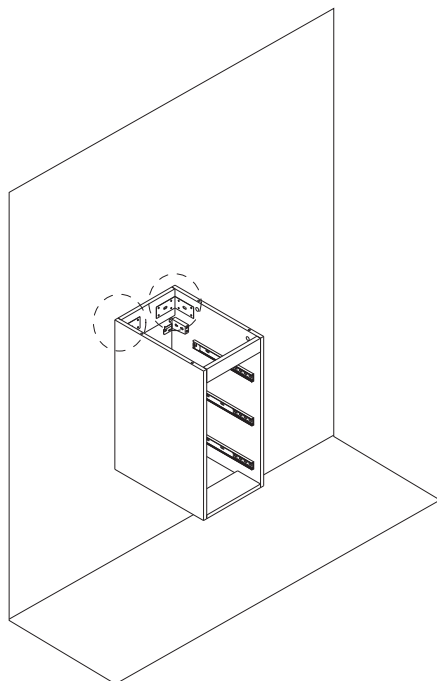
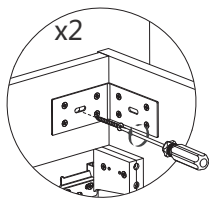


STEP 6



STEP 7

HARDWARE LIST	
⑳	2 PCS


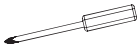


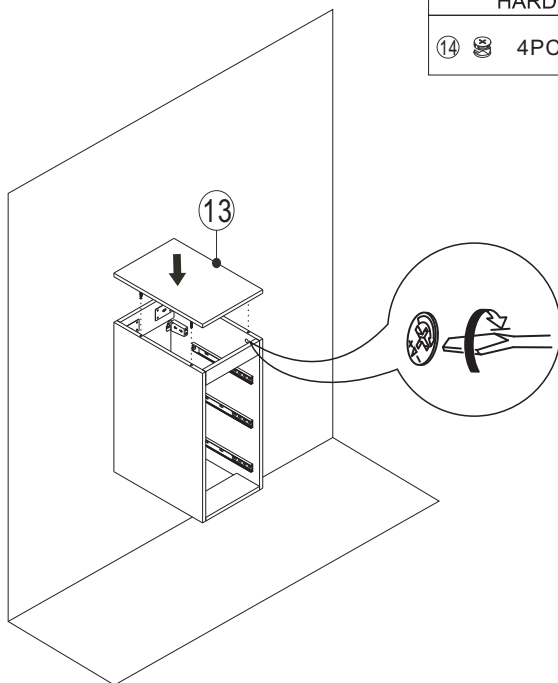
● Through the screw to adjust position of the hange

a up and down

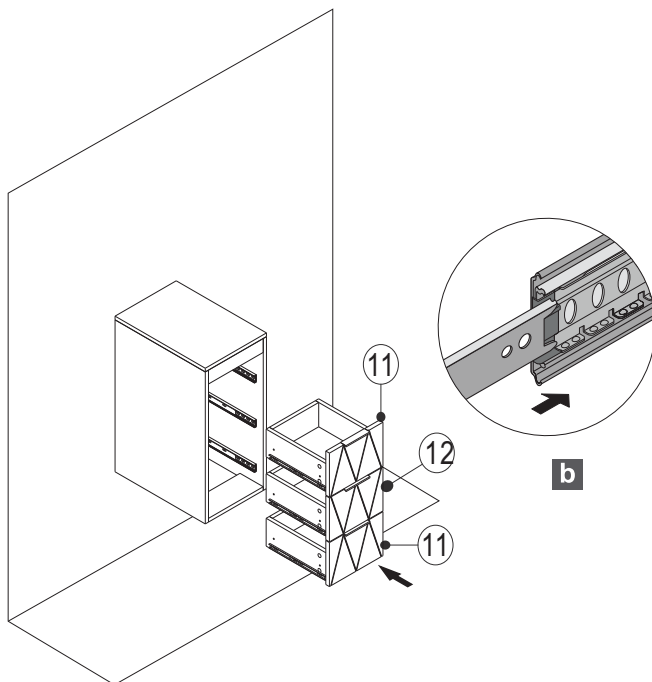
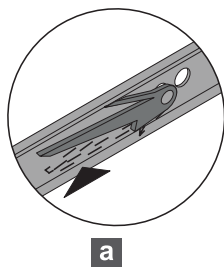
b front and back

STEP 8

HARDWARE LIST		
⑭		4PCS
		



STEP 9



CARE AND CLEANING

1. Many cleansers contain abrasive and chemical substance which is not suitable for cleaning stainless steel, enamel, plating or plastic products. You may use mild cleansers or soaps to clean the surfaces. Wipe any splashes of cleaner solutions from the surface with a clean soft cloth.
2. Maintain ventilation in the bathroom and separate the dry area from the damp one if conditions permit. Try to open the door and windows of the bathroom to maintain adequate ventilation.
3. This cabinet is built to withstand normal bathroom humidity. For best results, keep this vanity dry and take necessary steps to minimize bathroom humidity by opening windows and doors and using the exhaust fan (if available).
4. To maintain the cabinet door, clean and wipe the door regularly with a soft cloth. Wipe condensation with a dry, soft cloth. Keep away from high temperatures.
5. Please do not sit, lean or step on the basin cabinet.



Thank you very much for purchasing from us.

We have always been trying to provide the best service and reliable products for every customer.

We sincerely hope you will be satisfied with our products and leave us FIVE STARS and POSITIVE feedback/ review in our page.

However, accident may happen sometimes, please contact us to resolve any issue before leaving a negative feedback.

Many thanks and welcome to our shop again!