



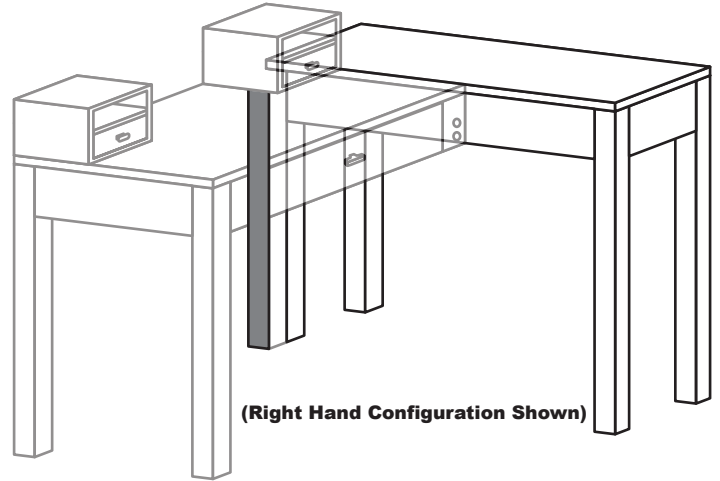
Modeno Side Return Desk / Corner Desk

5305: PM-SR-DE-ES

Congratulations on the purchase of your Side Return Desk. This desk has been crafted to the highest standards of quality and safety and will give you many years of enjoyment and practical use.

You may assemble this desk as an individual desk or in combination with a 5304 to make corner desk.

Since this desk is a natural wood product, there will be variations in color and grain, and minor checking may occur. This is normal and does not compromise the integrity of your desk. In fact, variation in character of solid hardwood is integral to the beauty and appeal of hardwood furniture and distinguishes it from prefabricated, synthetic and composite materials.



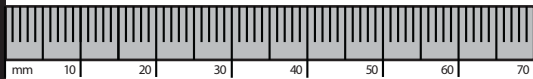
(Right Hand Configuration Shown)

On this insert you will find a list of the hardware and parts included as well as detailed assembly instructions. Assembly is quite simple and requires only a Phillips head screwdriver. Assembly will be most easily accomplished if you take the time to carefully sort the hardware and familiarize yourself with the function of each piece.

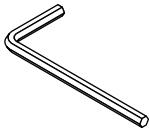
If you need assistance with assembly, part replacement or any other matter, please contact the toll-free Epoch Design Customer Service Team from Monday through Friday, 9 AM-6PM PST at 1 (800) 589-7990. You may also email your request or comments to info@epochbydesign.com and a customer service representative will respond.

Thank you and Enjoy

Guide



HARDWARE LIST



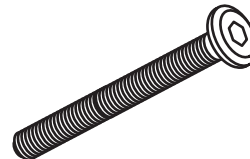
1x Hex key



8x Lock Washers



8x Washers

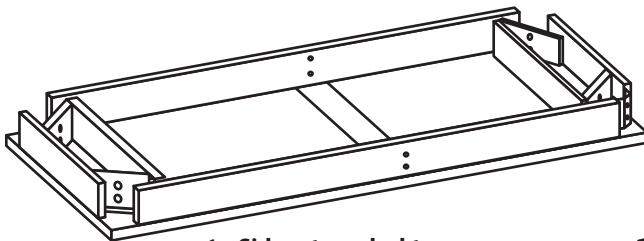


8x 70mm Allen bolts

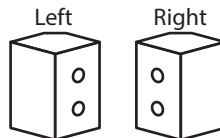


2x 40mm Allen bolts

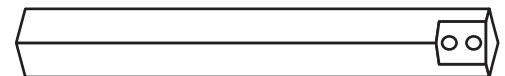
PARTS LIST



1x Side return desktop



2x Corner blocks



4x Desk legs

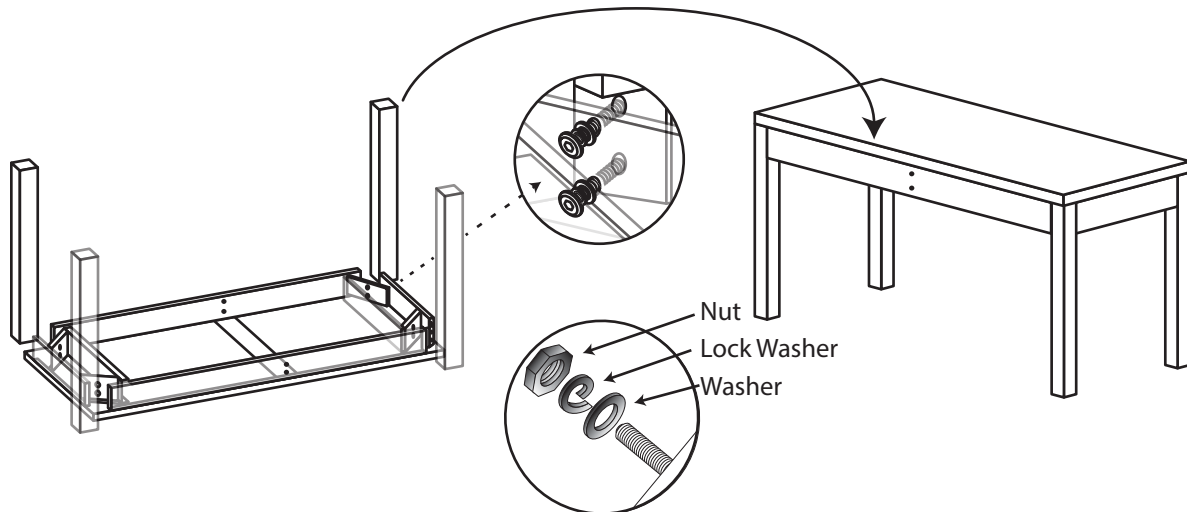


4x Stained Dowels
Used to cover holes on Side Return Desk when not attached to the main desk.

HAVE QUESTIONS OR CONCERNS? CALL US FIRST: 1-800-589-7990

Copyright © 2018 Epoch Design™ All rights reserved

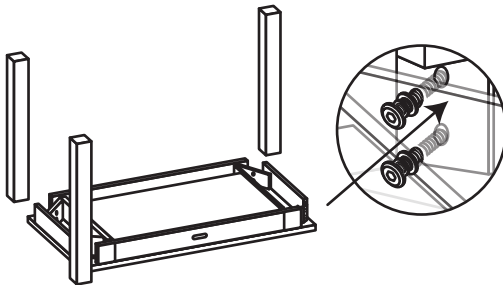
To assemble side return as an individual desk



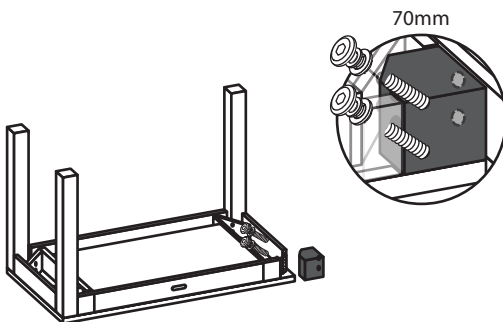
- 1) Locate a clean smooth area (preferably a carpet or cloth) for assembly. This will prevent scratching the desk. Attach each leg with two 70mm bolts, two flat washers and two lock washers.

To assemble side return desk and desk making a corner desk

For Left Hand Configuration

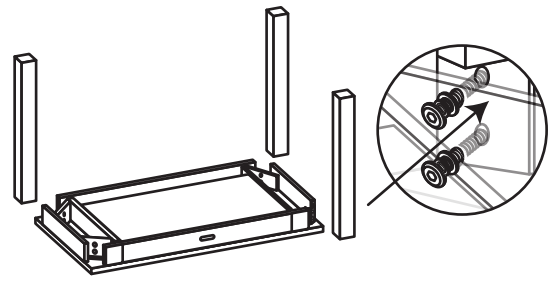


- 1) Attach 3 legs to your Desk as shown with six 70mm bolts, six flat washers, and six lock washers

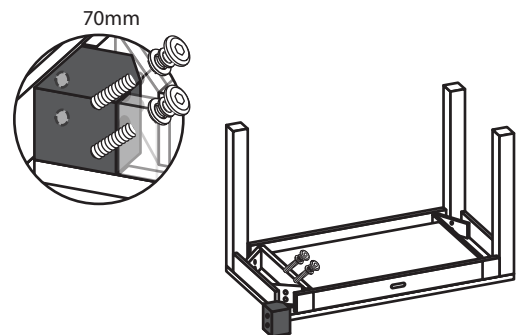


- 2-L) Locate the left hand corner block. Attach the corner block with two 70mm bolts.

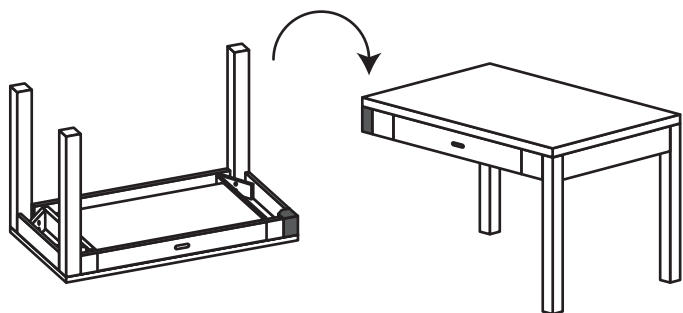
For Right Hand Configuration



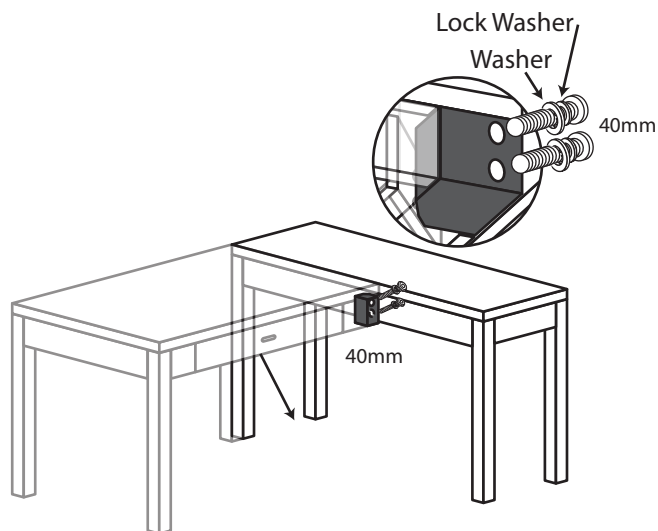
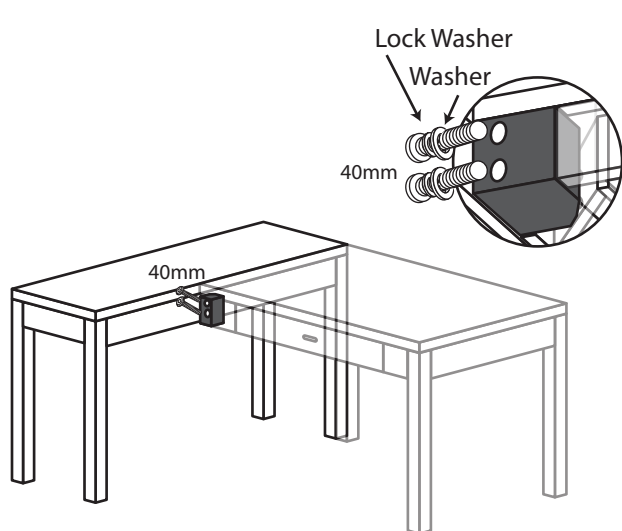
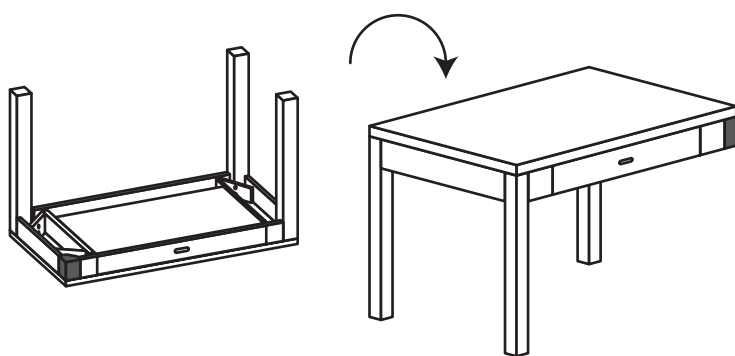
- 1) Attach 3 legs to your Desk as shown with six 70mm bolts, six flat washers, and six lock washers



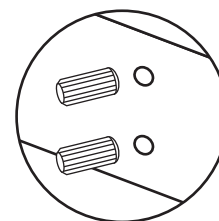
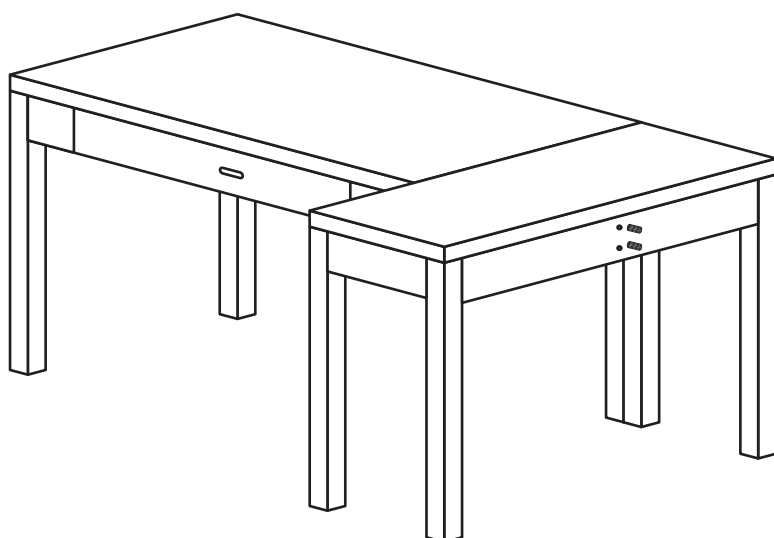
- 2-R) Locate the right hand corner block. Attach the corner block with two 70mm bolts.



3) Gently flip the desk over.



4) Attach the corner block to the Side Return Desk with two 40mm bolts, two flat washers and two lock washers.



5) Cover open holes on back side of desk with stained dowels.