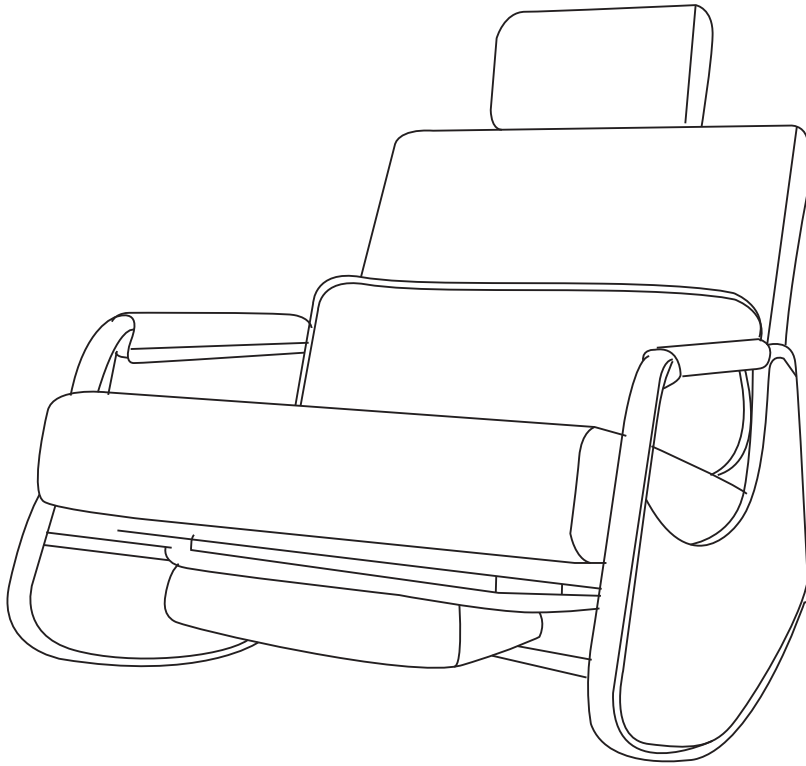


ASSEMBLY INSTRUCTION SS13142

—— Reclining Chair ——



ATTENTION

1. The reclining chair is shipped in 1 box.

And the package comes with some cardboard that you can unfold before installing and then put the chair on the cardboard for assembly to prevent the fabric from wearing out.

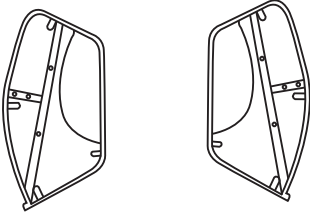
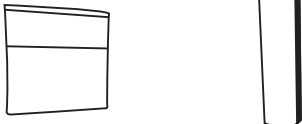
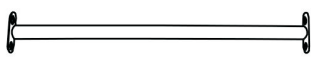
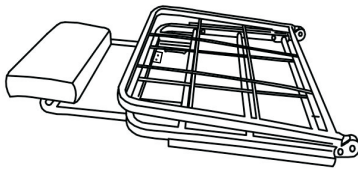










2. If there is any damage, please send us clear photos of the damaged parts as attachments. We will check and offer you the best solution soon. If there are any missing items or other issues, please feel free to contact our customer service team for assistance.

! CAUTIONS

1. Leave enough 12~14 inches between sofa back and wall avoid damaging the backrest due to violent tilting.
2. Don't use the sofa in direct sunlight for a long time to avoid material damage.
3. Keep all flame and heat sources away from this massage sofa , avoid the sofa burning by accidental contact.
4. Never stand or sit on the edge of the footrest or backrest when the chair is tilted, avoid safety accidents caused by sofa rollover.

Assembly Instruction

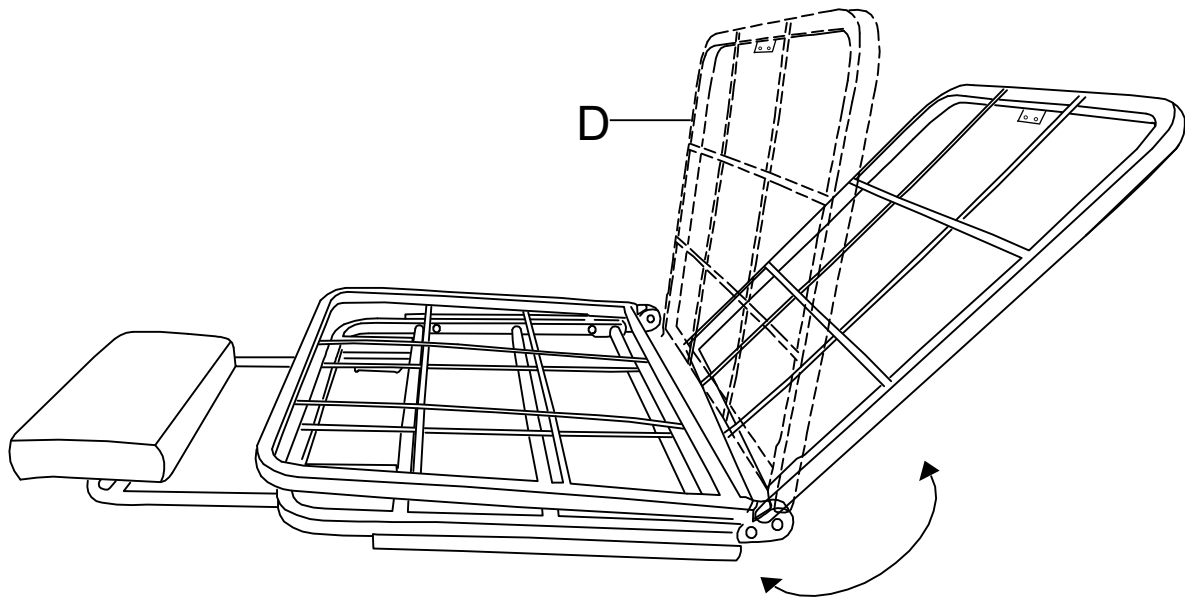
PART LIST

Ax1  L R		Bx2  L R		Cx1 	
Dx1 		Ex1 	Fx1 	Gx1 	Hx1 
Ix4  M8*20mm	Jx4  M8*55mm	Kx2  M6*12mm	Lx2  M6*25mm	Mx1 	Nx1 

Please note that the E/F/H component is compressed and packaged. Please open the packaging bag before installing it.

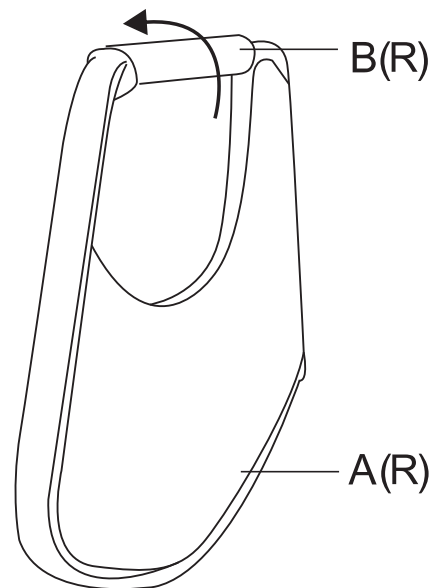
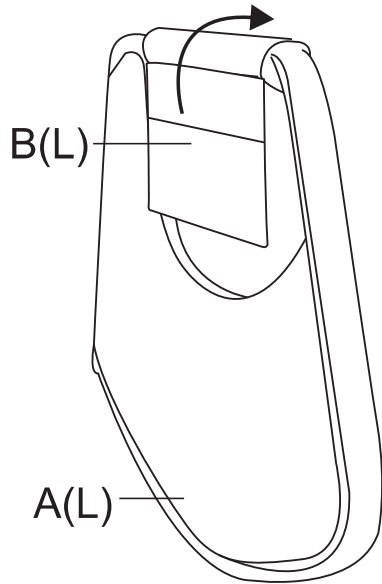
step 1

Take out the frame and open.



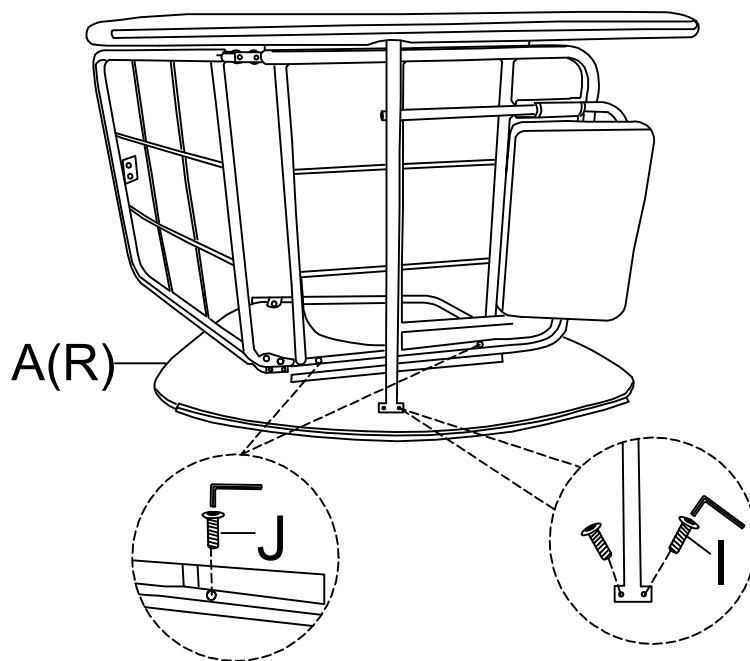
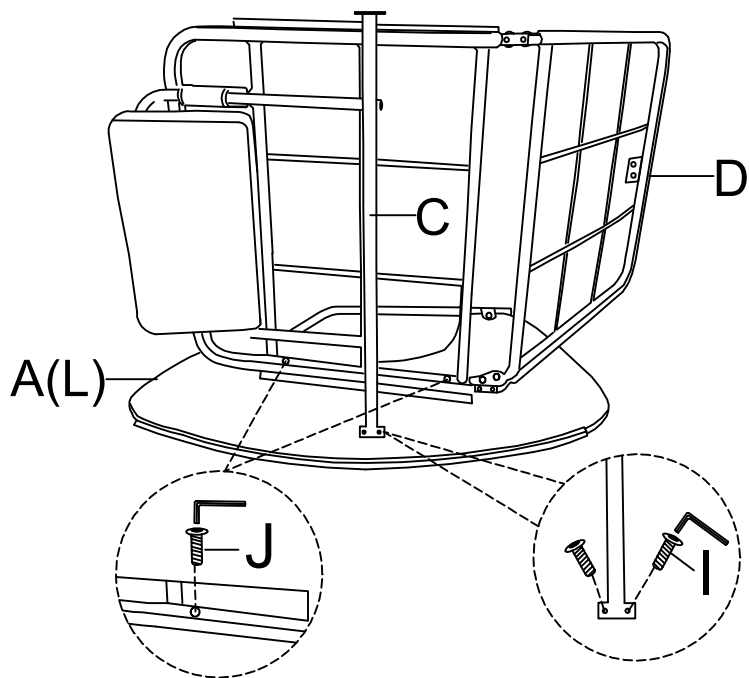
step2

Install armrest bracket.



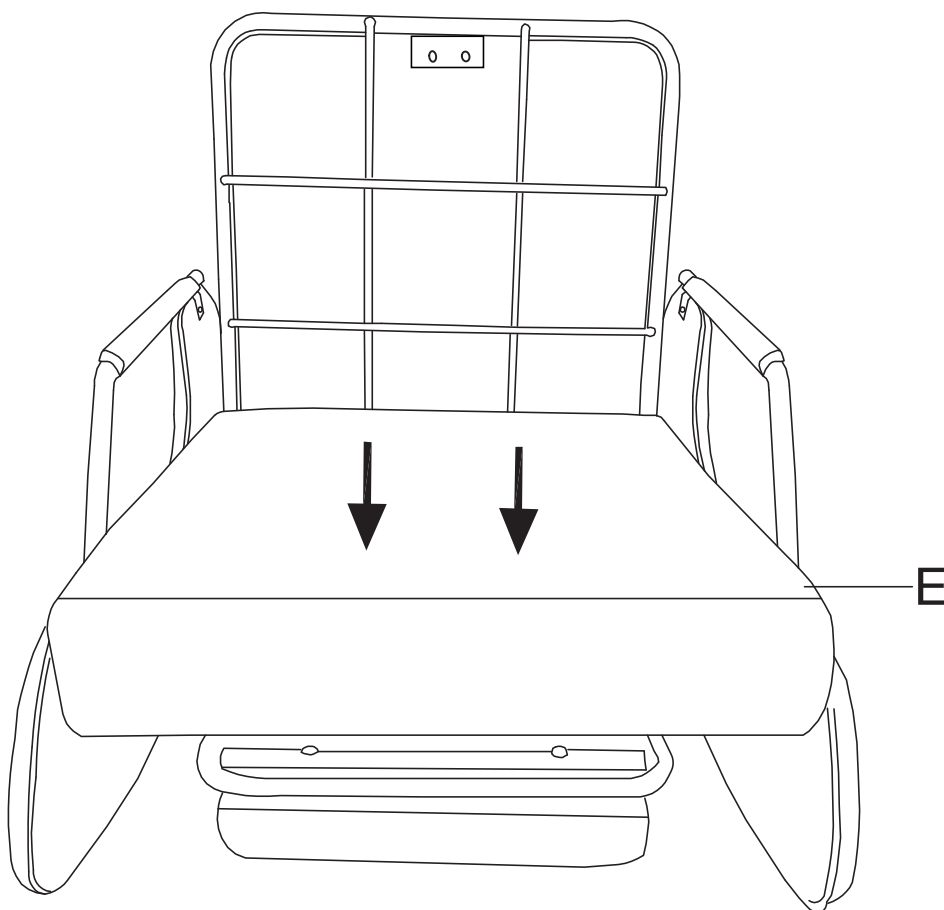
step3

Install the armrest screws on both sides.



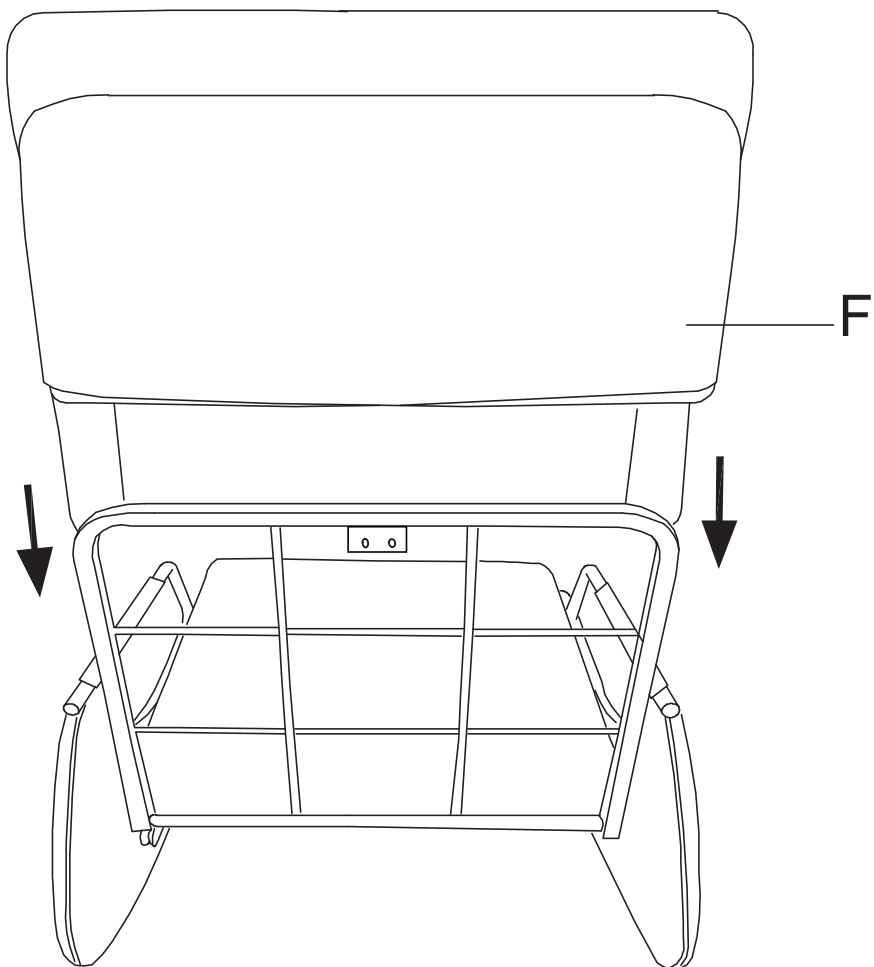
step4

Place seat cushions.



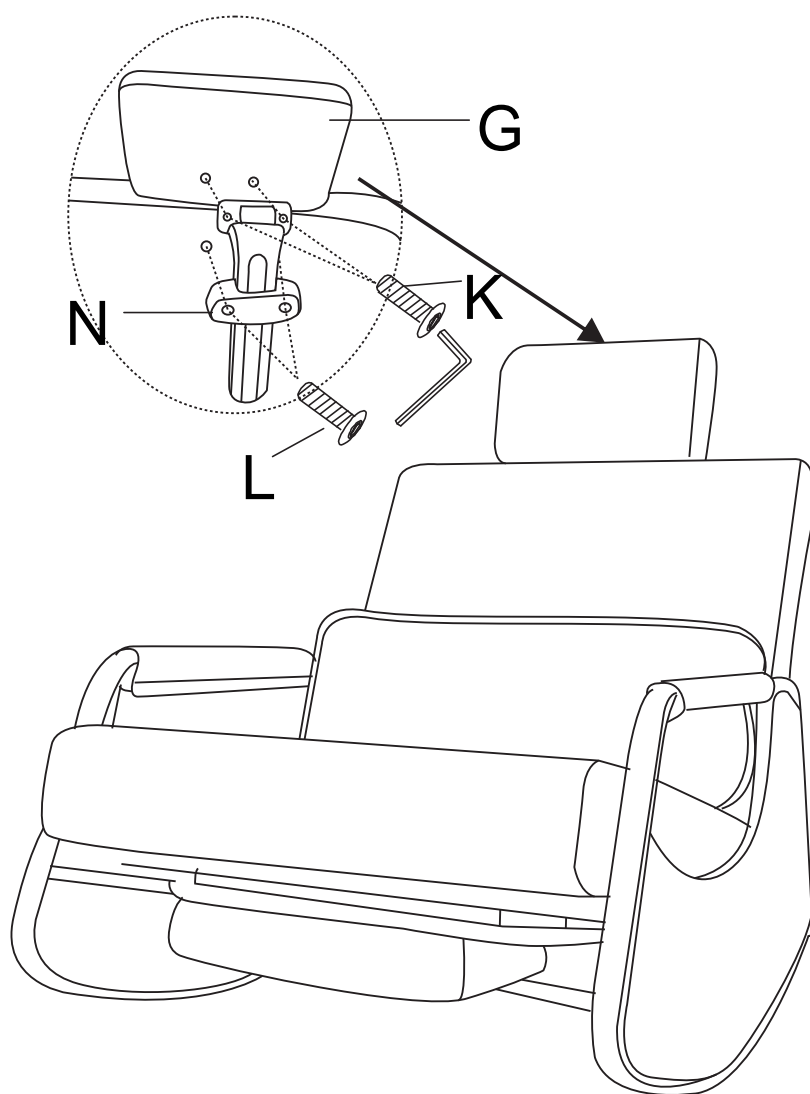
step5

Place seat backrest.



step 6

Install the headrest.



step7

