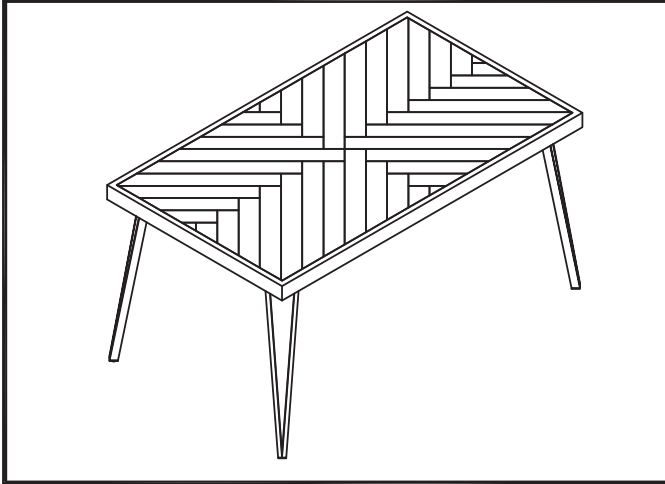






ASSEMBLY INSTRUCTION

DESCRIPTION Rect. Leg Table



Thank you for purchasing this quality product. Be sure to check all packing material carefully for small parts which may have come loose inside the carton during shipment. Identify and count all parts and compare with the parts list below:



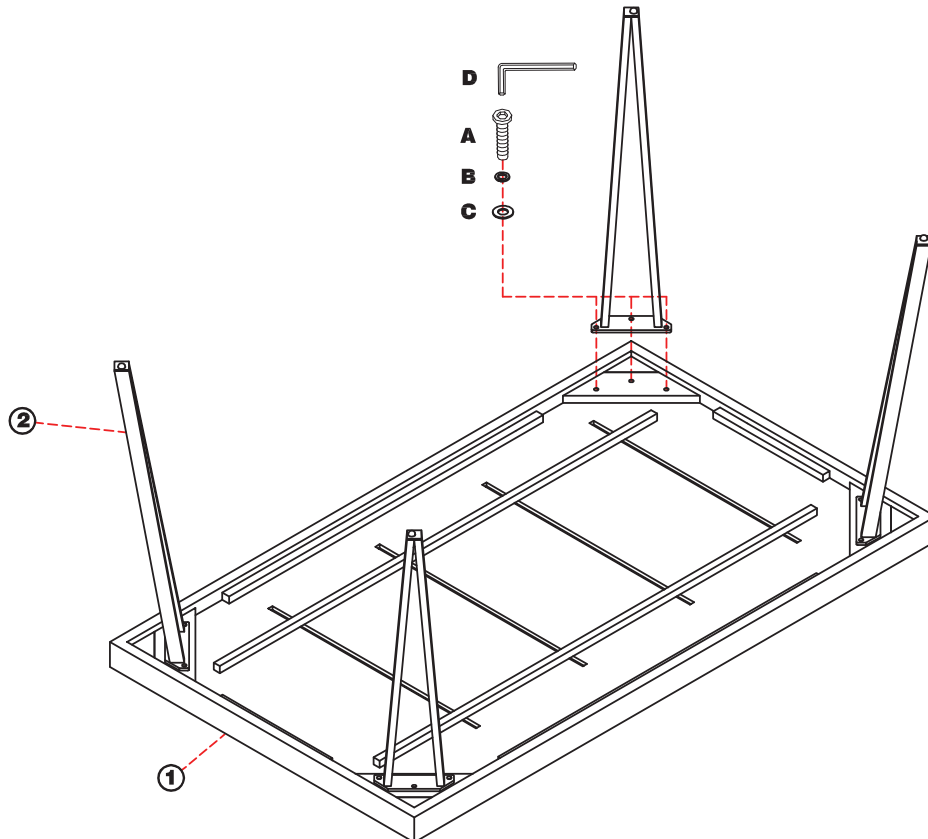
HARDWARE LIST

| NO. | SKETCH | HARDWARE | QTY |
|-----|------------------------------------------------------------------------------------|--------------------|--------|
| A |  | Bolt 5/16" x 3/4" | 12 pcs |
| B |  | Spring Washer | 12 pcs |
| C |  | Flat Washer(1.5mm) | 12 pcs |
| D |  | Allen Wrench 5mm | 1 pc |

PARTS LIST

| NO. | SKETCH | PART | QTY |
|-----|------------------------------------------------------------------------------------|------|-------|
| ① |  | Top | 1 pc |
| ② |  | Leg | 4 pcs |

STEP 1



NOTE: DO NOT TIGHTEN ALL THE BOLTS UNTIL THEY ARE INSTALLED IN CORRESPONDING HOLES!