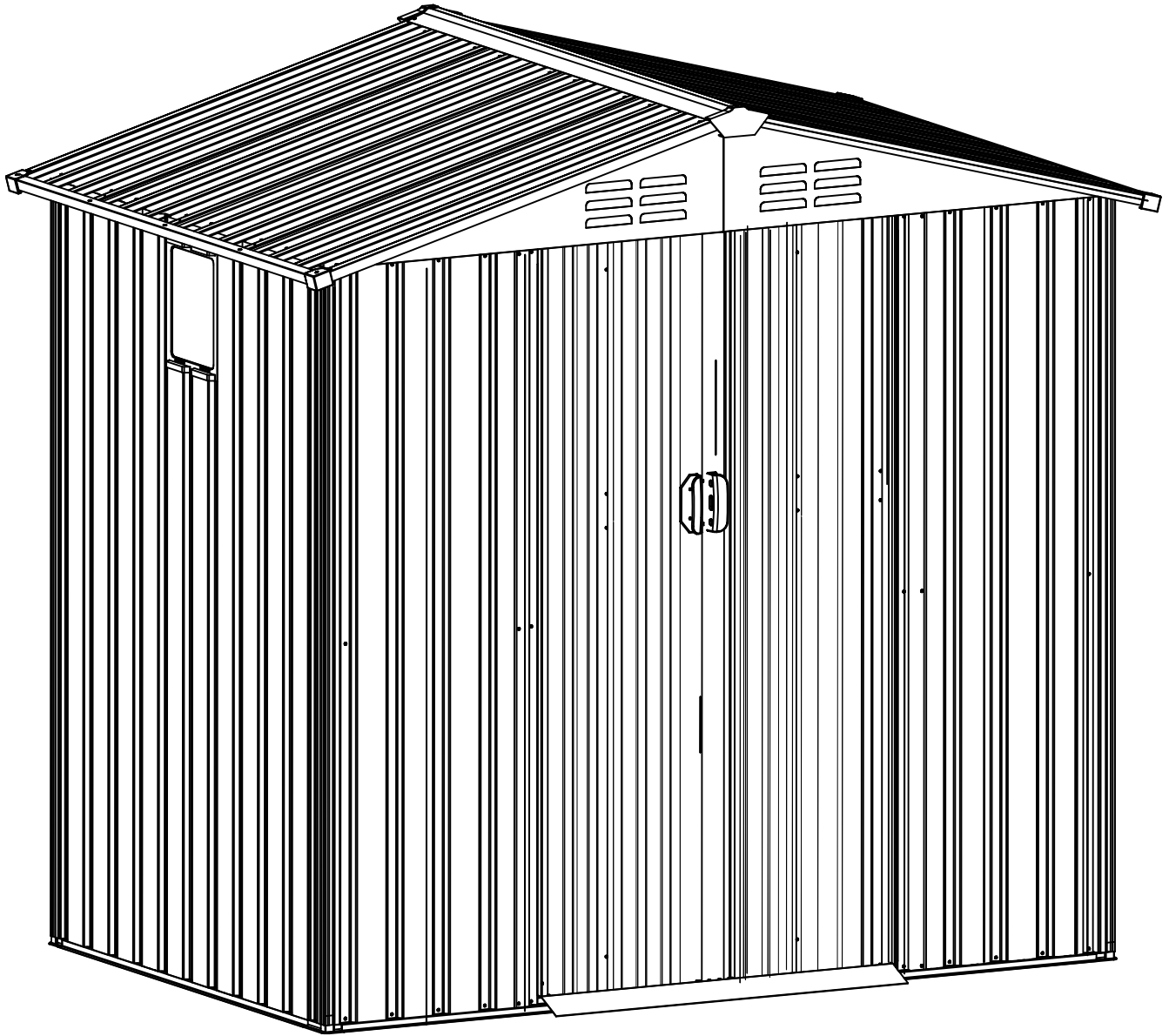


6*4 Storage Shed Installation_ITRMWIN-GRAY-L



Thank you for shopping with us!

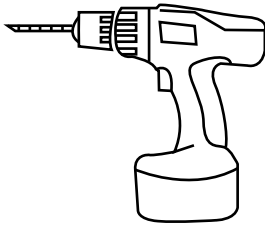

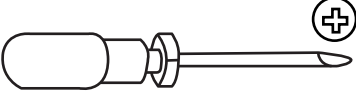

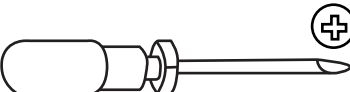
We appreciate your purchase and are ready to be at your service!

If you find parts missing, broken, or hard to put together or when you are not satisfied or have any valuable suggestions, please do not hesitate to contact us first!

We will definitely give you a satisfactory solution or answer then!

Contact us at our after-sales service email: **CSsince1987@hotmail.com**

Please prepare below tools before installation.

 Electric Screwdriver	 Ladder	Not Included
Package included Tools	 Gloves x 2 Pair	 Screwdriver x 1
 + Manual Screwdriver		

ATTENTION:

Please read this instruction carefully before installation and follow it strictly during installation. Ensure that there are no problems later due to installation errors.

Installation Notes

Please check the quantity of all parts before installation (Please refer to the Parts Lists) and the appearance of the products. Please make sure the product is correct before installation. If there is any problem, please contact us directly.

Make sure the colored panels are facing outwards and all the holes match. The panels are textured, please install the panels in the order specified in the instructions. All lines and holes must be accurately matched to make the storage shed more stable. Please ensure that all screws are tightened to prevent the product from falling apart.

There is a protective film on the surface to protect the product, please tear it off after installation to get the final presentation. If you do not damage the film during installation, it can also remain on the product to protect the product.

Please place the product on a flat ground to prevent leaning and collapse. If the ground is uneven, the door may can't be closed.

Safety Precautions

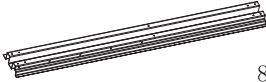
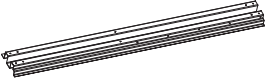
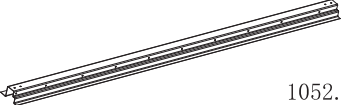
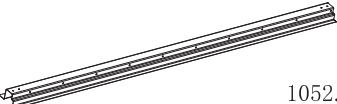
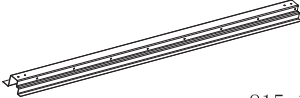
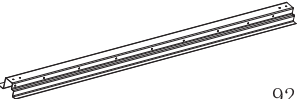
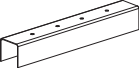
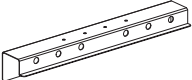

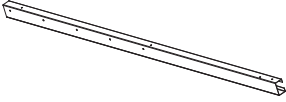
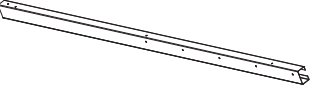
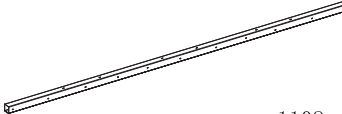
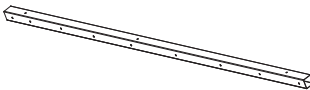
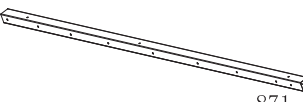
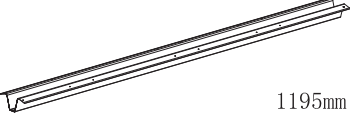
We recommend two adults to complete the installation. Two adults installed together will make the installation process easier and safer.

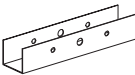
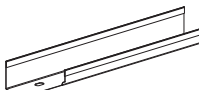

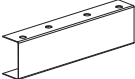
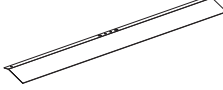
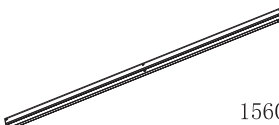
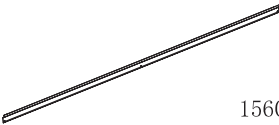
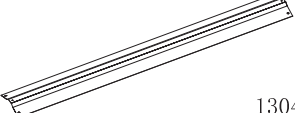




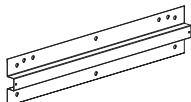
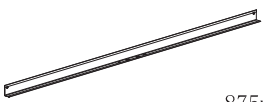

The gloves must be carried to prevent hand cuts during installation.

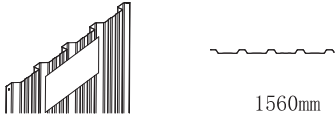
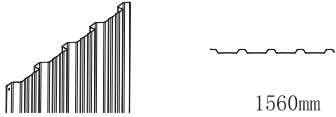
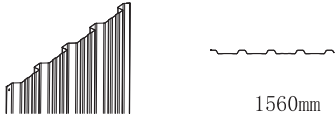


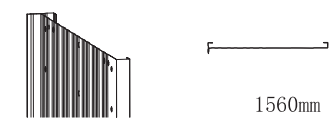
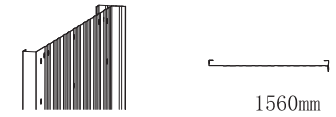
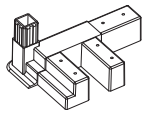
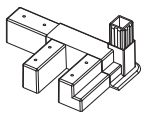
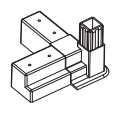
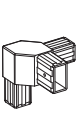
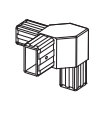

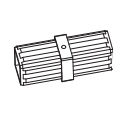
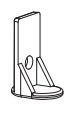
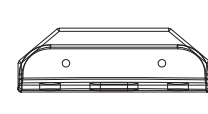
Take care when using power tools near water the use of a residual current device(RCD) is advised. Please use the electric driver carefully during screwing to prevent the screw from slipping and hurting your hand.(We recommend that beginners use a manual screwdriver for installation.)

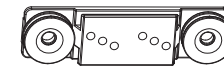
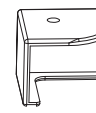
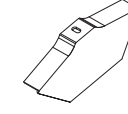

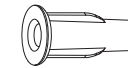

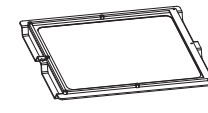
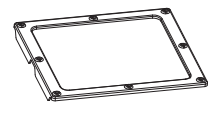
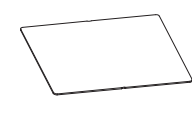
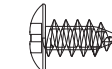
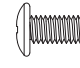
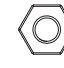
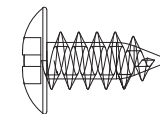

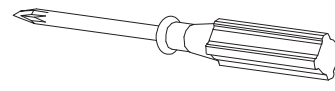
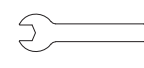
Be careful not to fall when installing the roof. Please steady the ladder and make sure the product placed on a flat ground.

PLEASE KEEP THIS INSTRUCTION FOR FUTURE REFERENCE.





NO.	PART.	Qty.
1L	 868.6mm	1
1R	 868.6mm	1
2L	 1052.4mm	1
2R	 1052.4mm	1
3L	 815.1mm	1
3R	 922.1mm	1
4F	 120mm	2
4B	 200mm	1
5	 1510mm	4
6L	 875.2mm	1
6R	 875.2mm	1
7	 1108.4mm	2
8L	 871.7mm	1
8R	 871.7mm	1
9	 1195mm	1

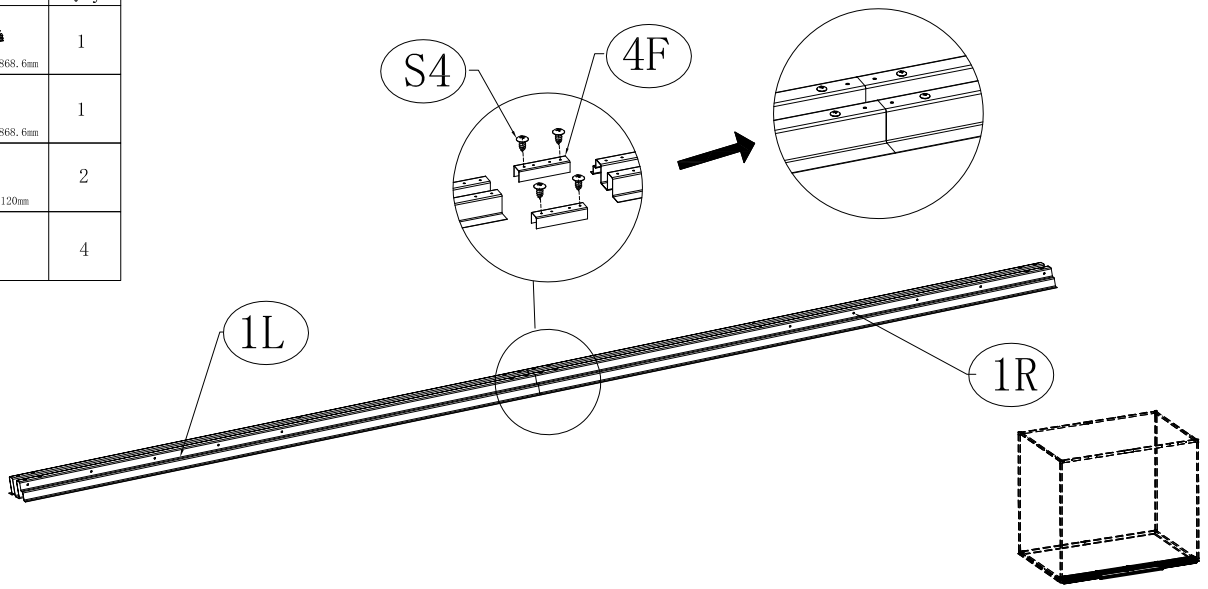
NO.	PART.	Qty.
10	 100mm	1
11L	 230mm	2
11R	 230mm	2
12	 120mm	1
15	 810mm	2
17L	 1560mm	1
17R	 1560mm	1
18	 1304mm	1
19	 1304mm	2
20	 1000mm	4
21L	 2	
21R	 2	
22	 432mm	6
23	 875mm	1
W3	 1560mm	4

NO.	PART.	Qty.
C1		1
W5		5
W6		2
W7		4
W12		8
M1		1
M2		1
A		1
B		1
C		2
D		1
E		1
F		2
I		1
F1		4
F2		2



NO.	PART.	Qty.
F3		4
F4		4
F5		2
F7		231
F8		36
F9		2
F15		1
F16		1
F17		1
S4		252
S6		55
S7		55
S8		12
S9		4
S12		1
S15		1

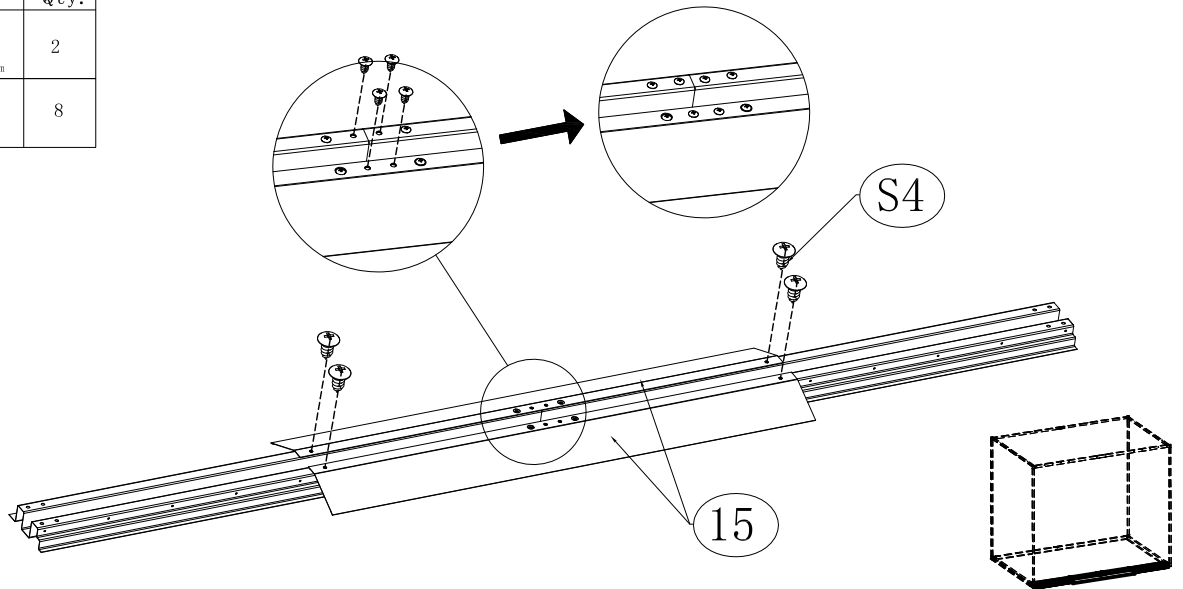
STEP 1

NO.	PART.	Qty.
1L	 868, 6mm	1
1R	 868, 6mm	1
4F	 120mm	2
S4		4







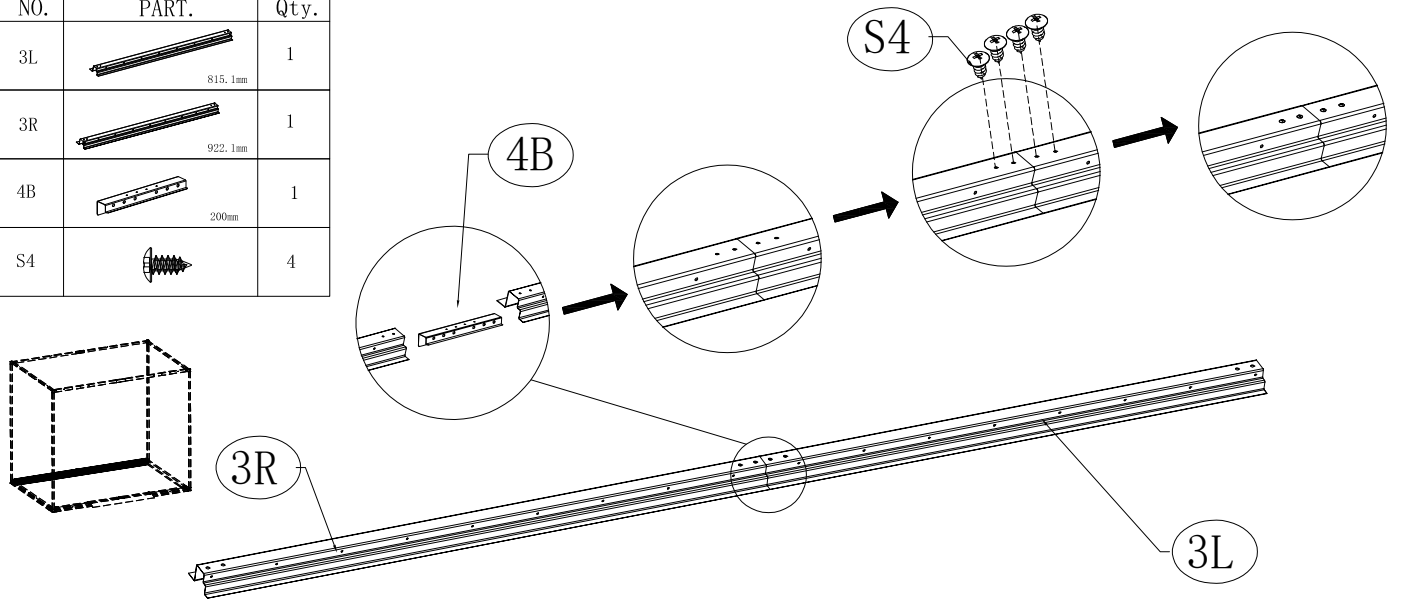
STEP 2

NO.	PART.	Qty.
15	 810mm	2
S4		8



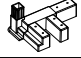
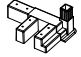




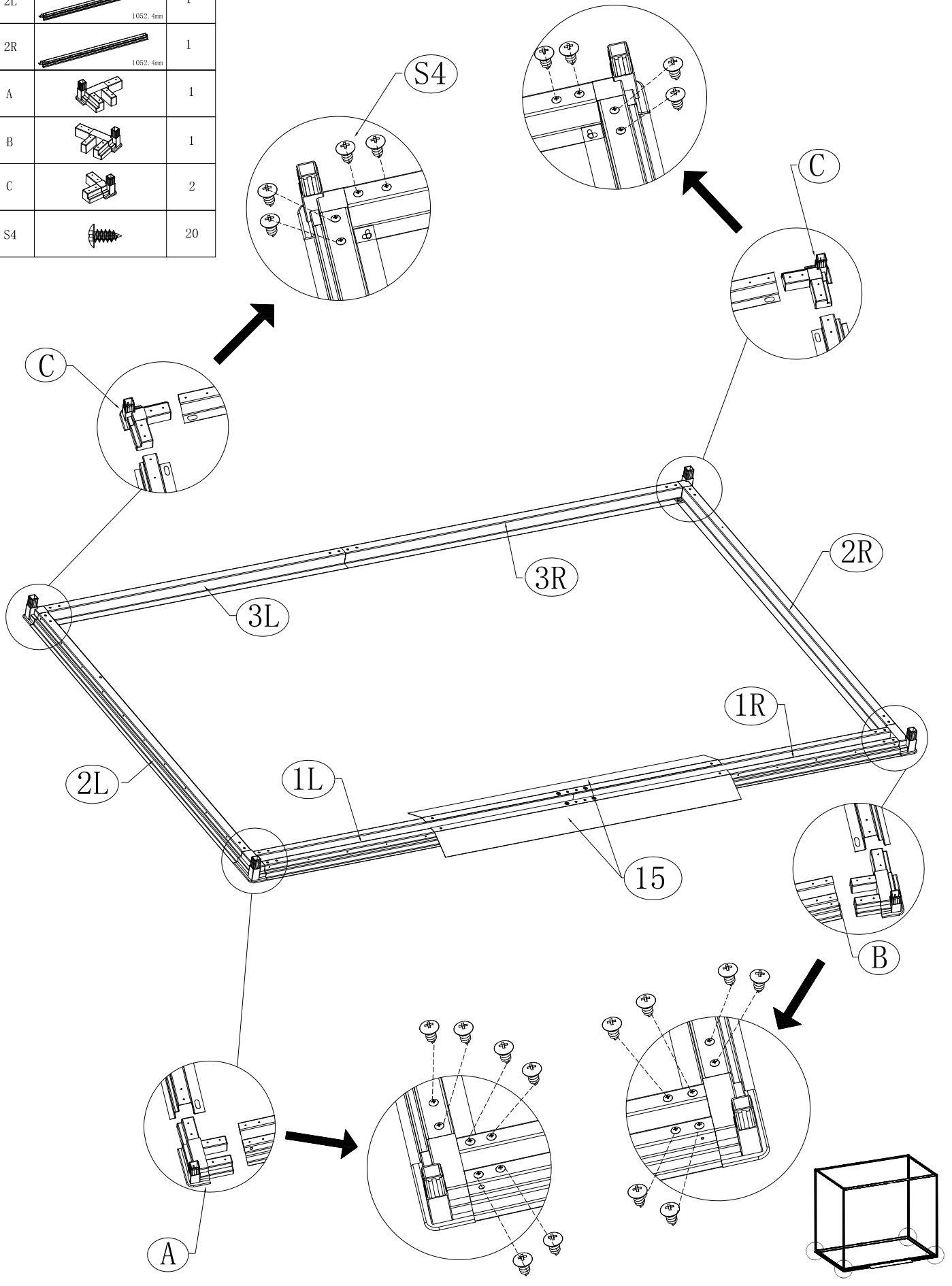
STEP 3

NO.	PART.	Qty.
3L	 815, 1mm	1
3R	 922, 1mm	1
4B	 200mm	1
S4		4




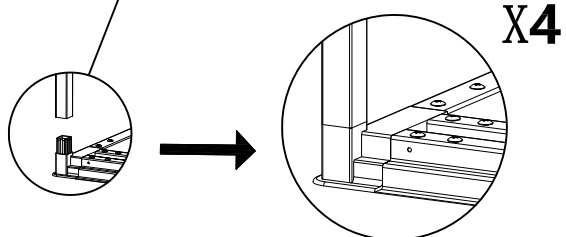
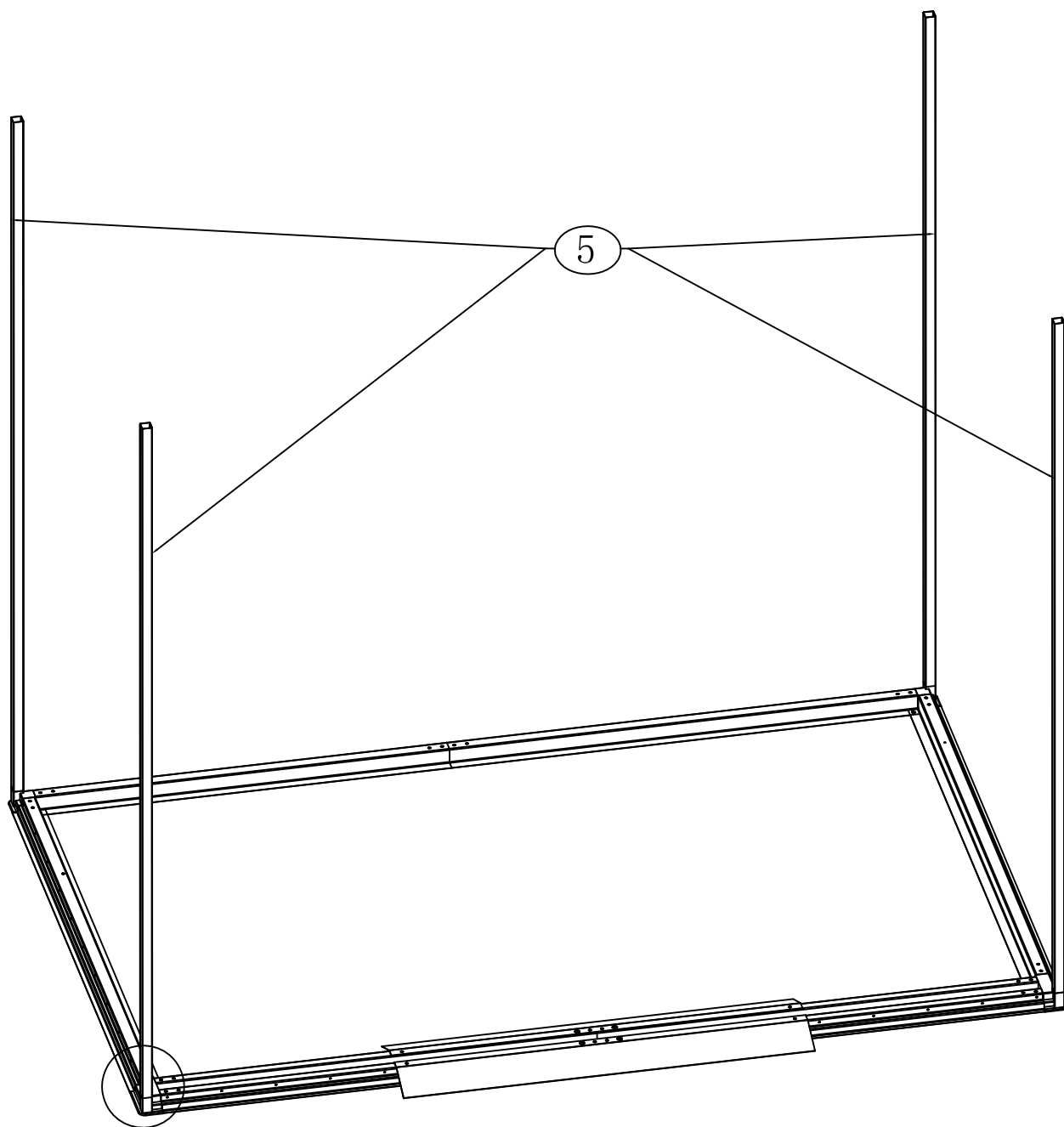
STEP 4

NO.	PART.	Qty.
2L	 1052.4mm	1
2R	 1052.4mm	1
A		1
B		1
C		2
S4		20

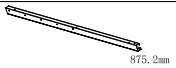

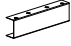
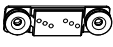



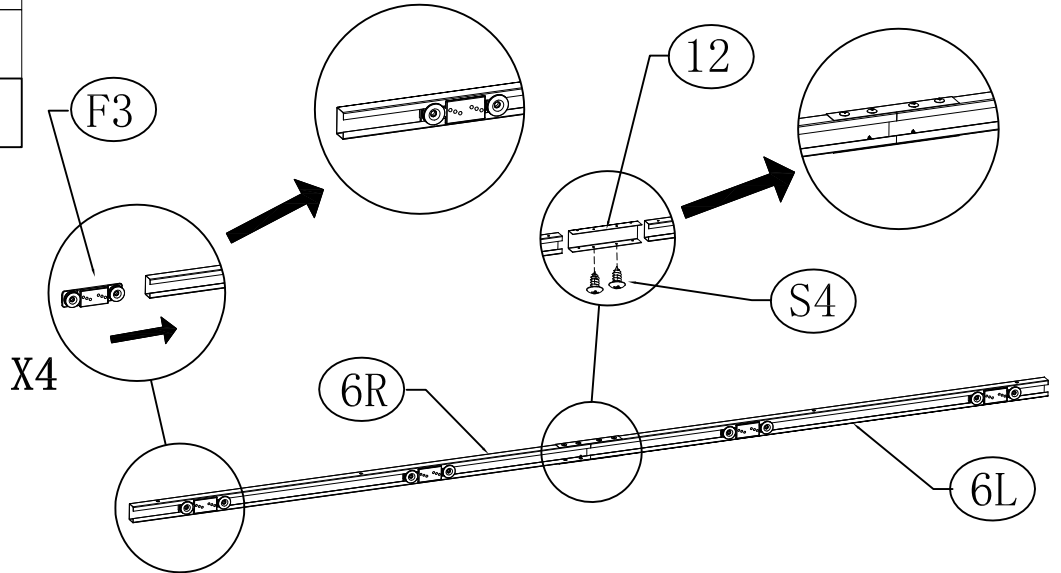
STEP 5

NO.	PART.	Qty.
5	 1510mm	4



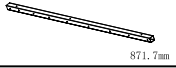
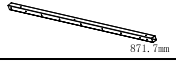



STEP 6

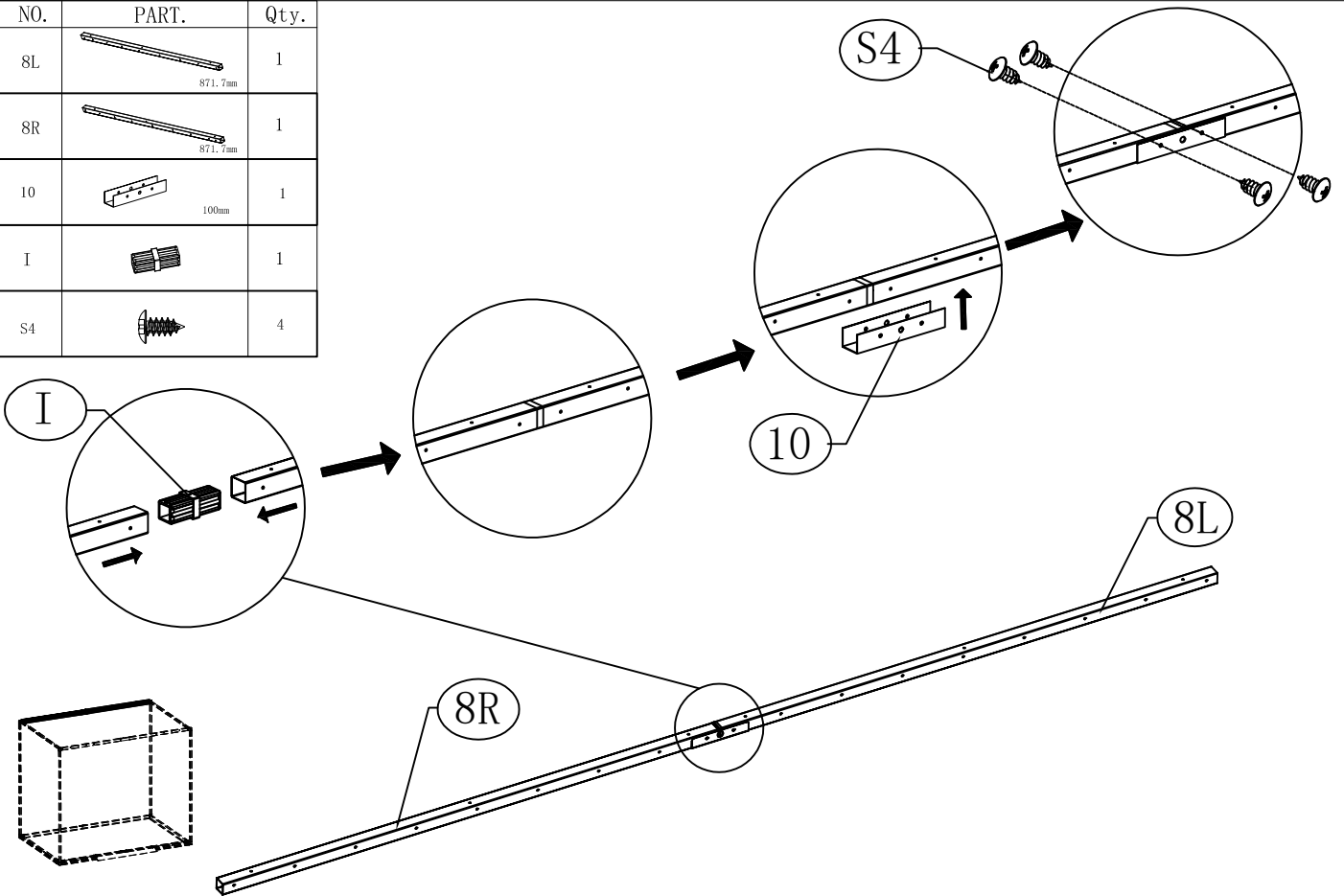
NO.	PART.	Qty.
6L	 875.2mm	1
6R	 875.2mm	1
12	 120mm	1
F3		4
S4		2








* Make sure to install [F3] to [6R] and [6L].

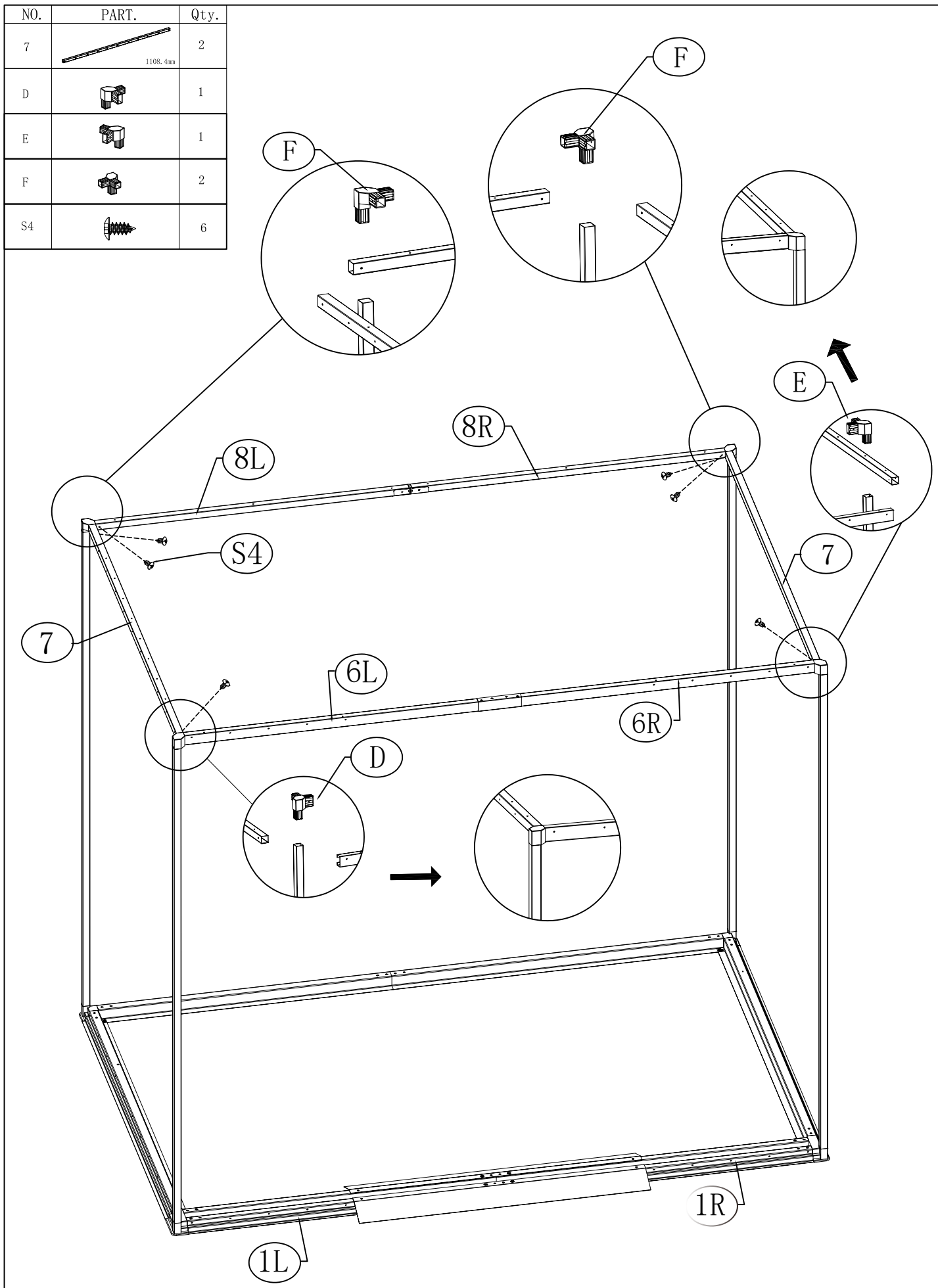
STEP 7

NO.	PART.	Qty.
8L	 871.7mm	1
8R	 871.7mm	1
10	 100mm	1
I		1
S4		4










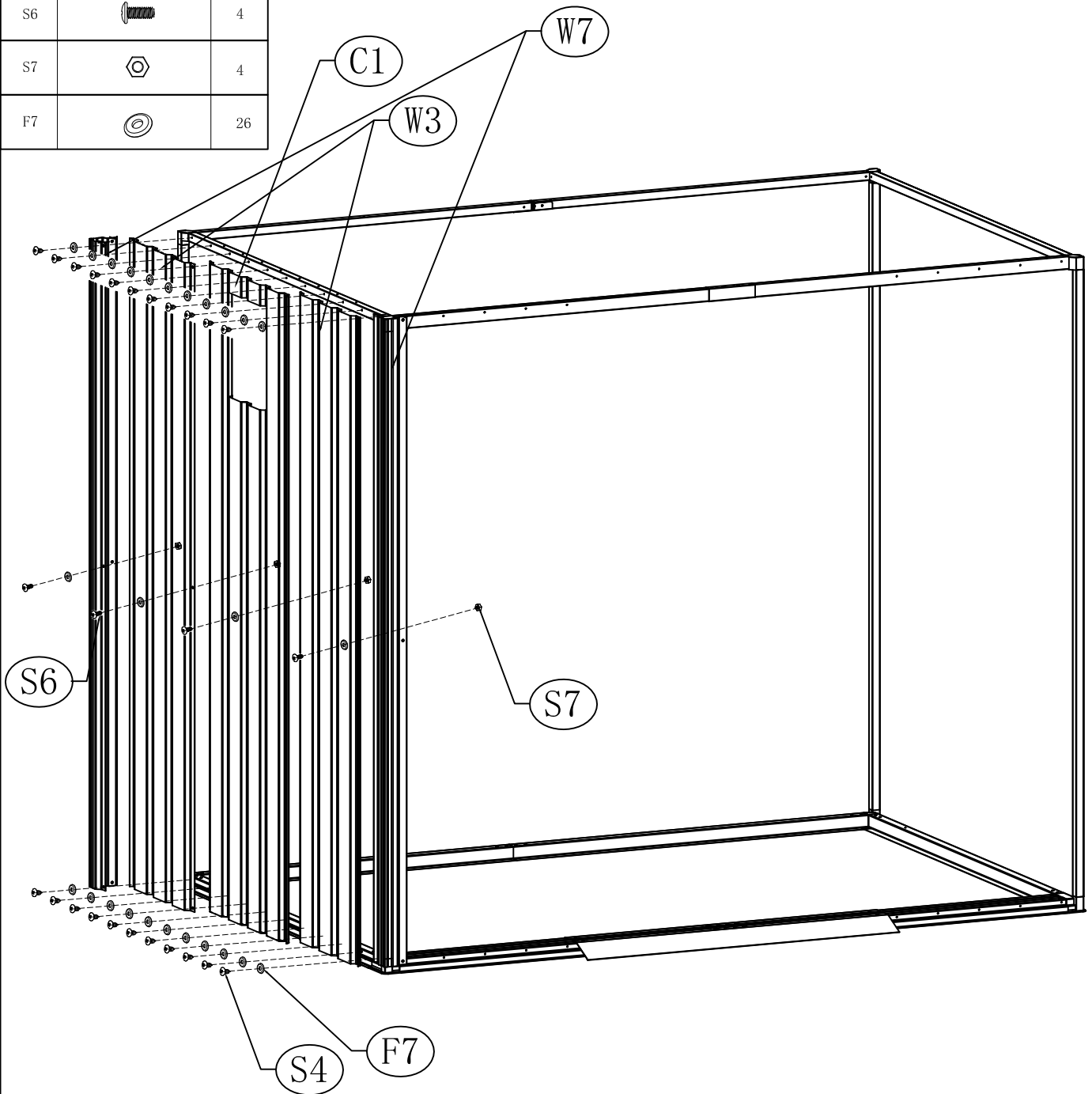
STEP 8

NO.	PART.	Qty.
7	 1108.4mm	2
D		1
E		1
F		2
S4		6










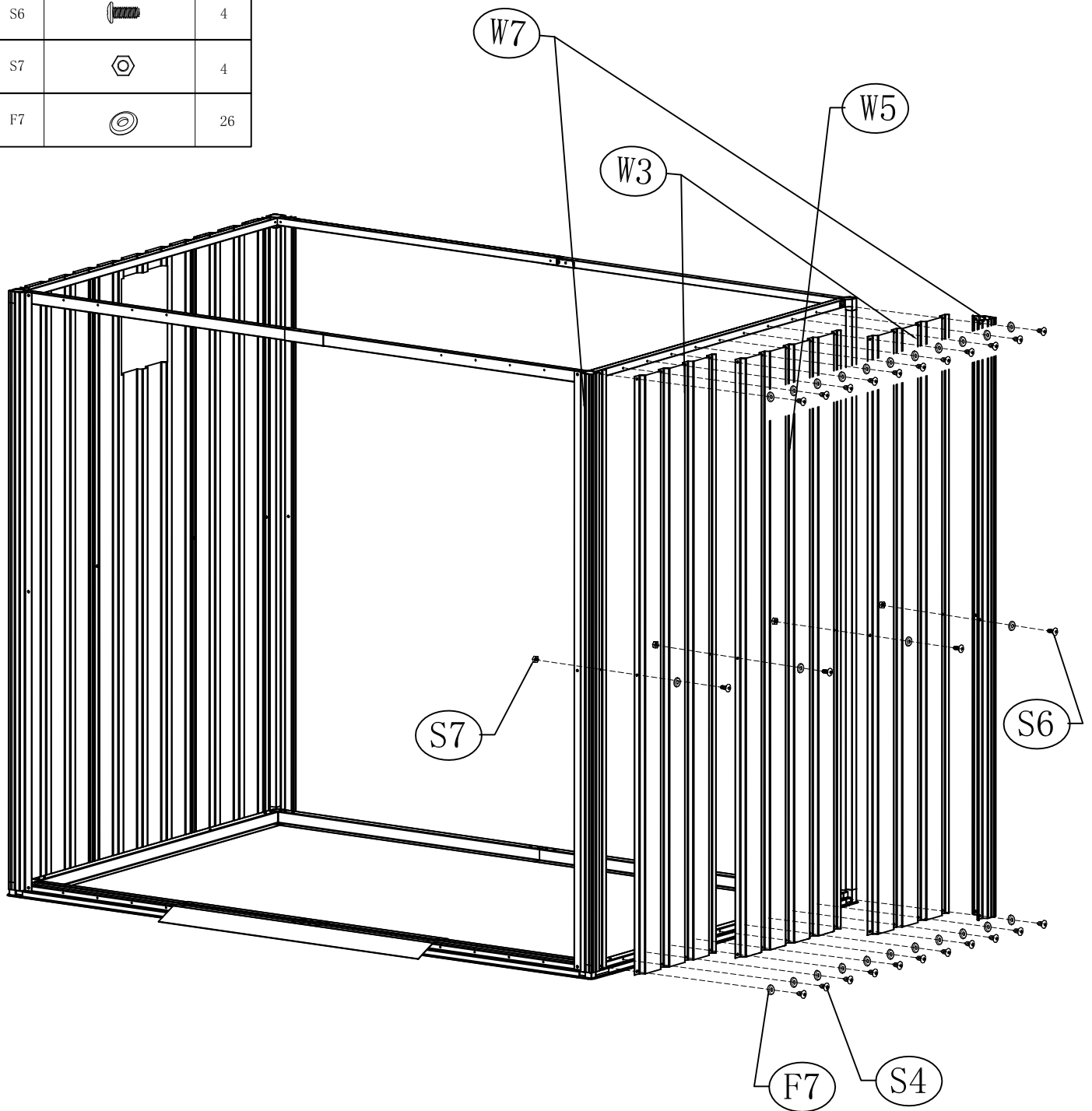
STEP 9

NO.	PART.	Qty.
W7	 1560mm	2
W3	 1560mm	2
C1	 1560mm	1
S4		22
S6		4
S7		4
F7		26

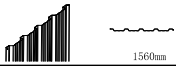






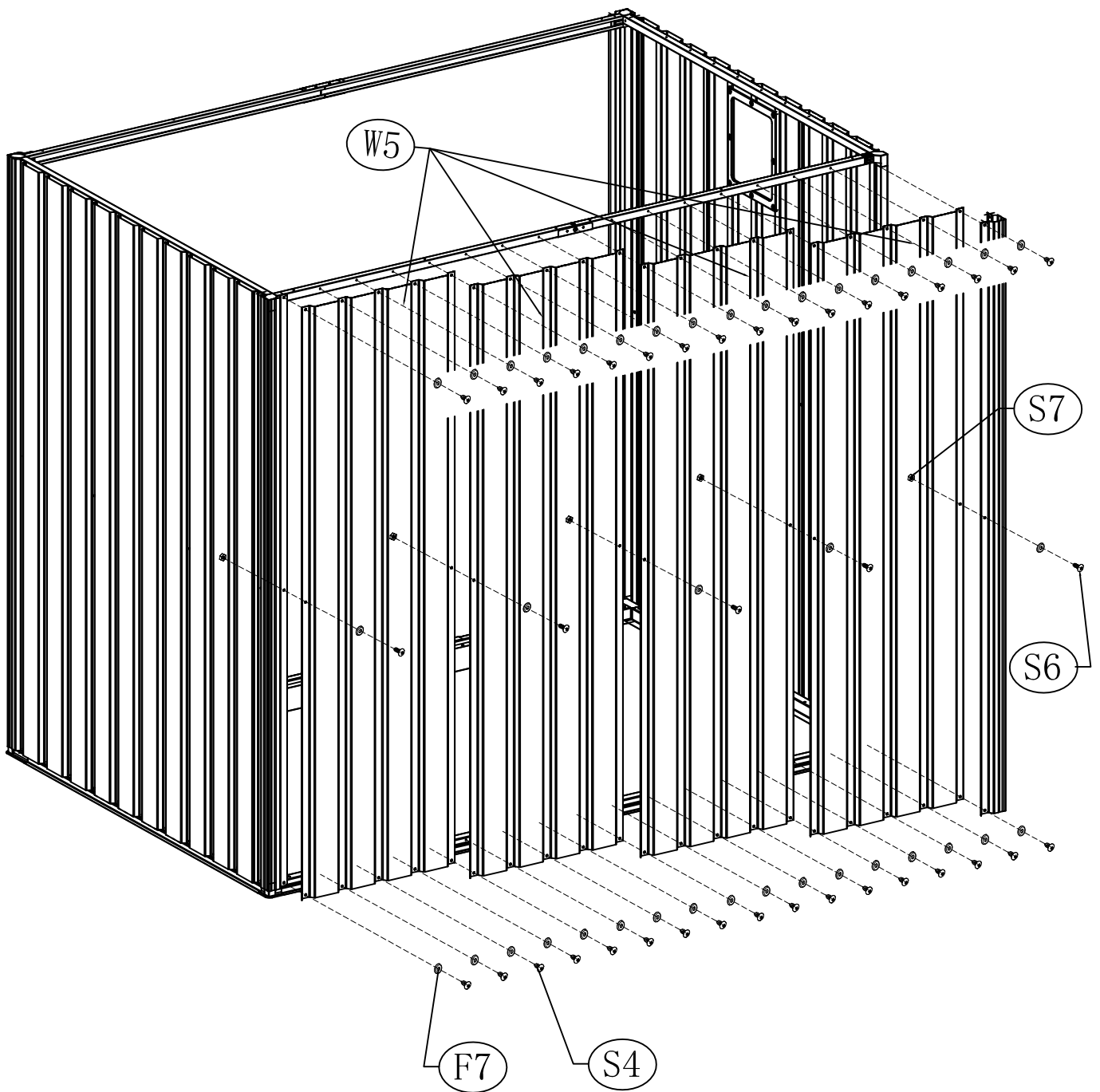
STEP 10

NO.	PART.	Qty.
W7	 2	2
W3	 2	2
W5	 1	1
S4	 22	22
S6	 4	4
S7	 4	4
F7	 26	26







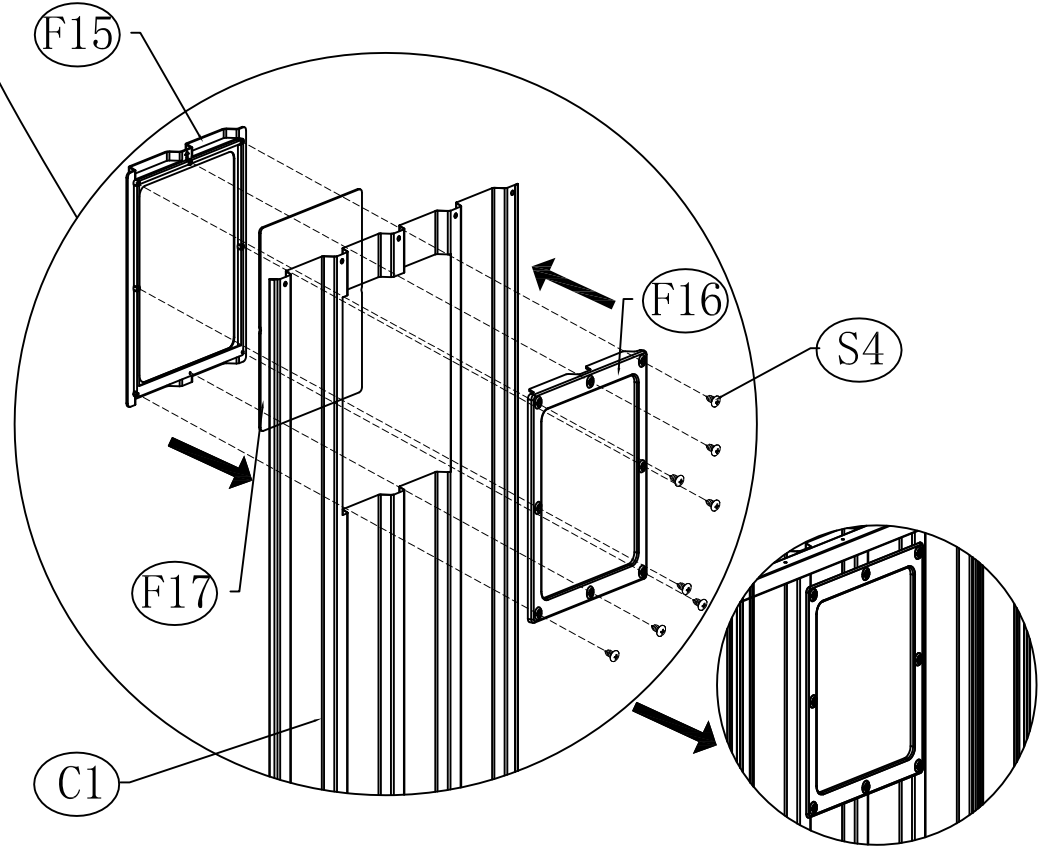
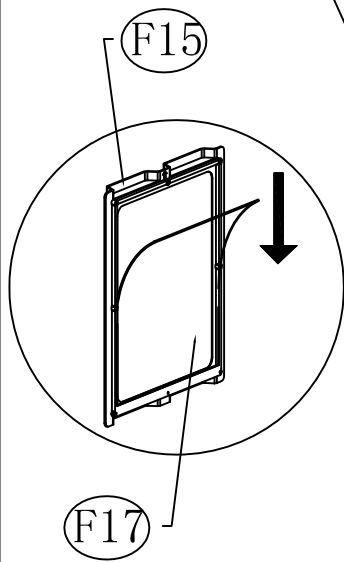
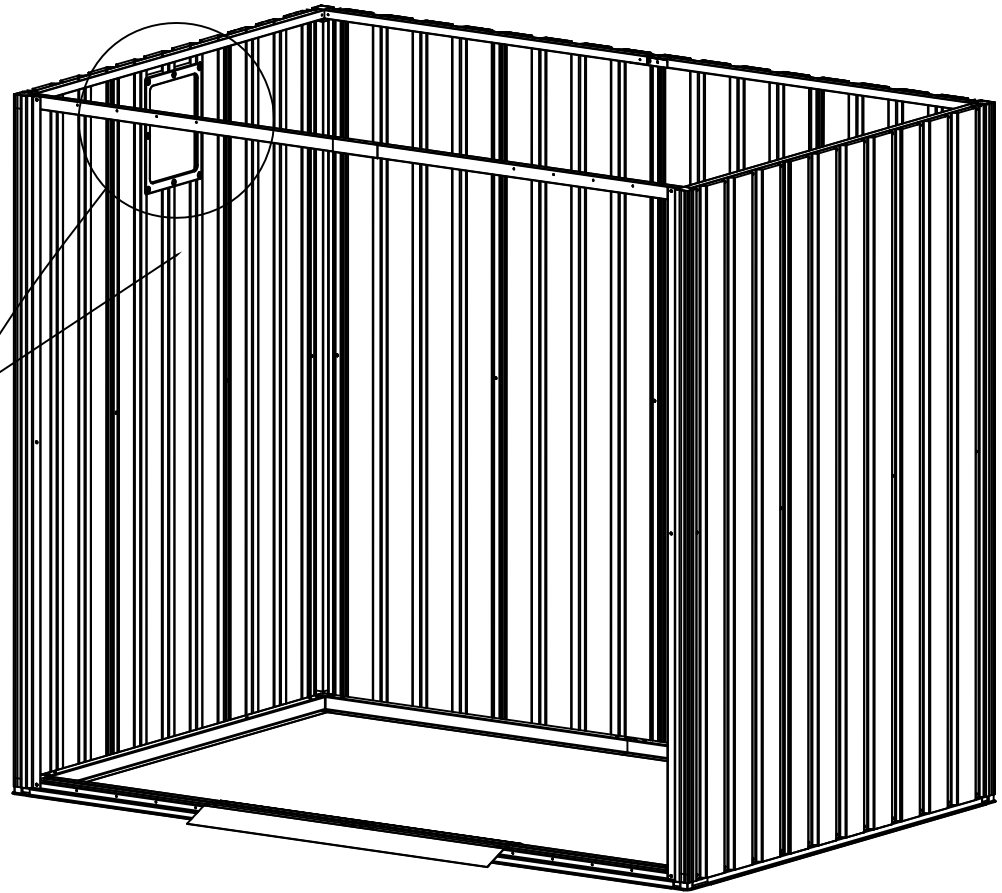
STEP 11

NO.	PART.	Qty.
W5	 1560mm	4
S4		34
S6		5
S7		5
F7		39

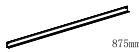



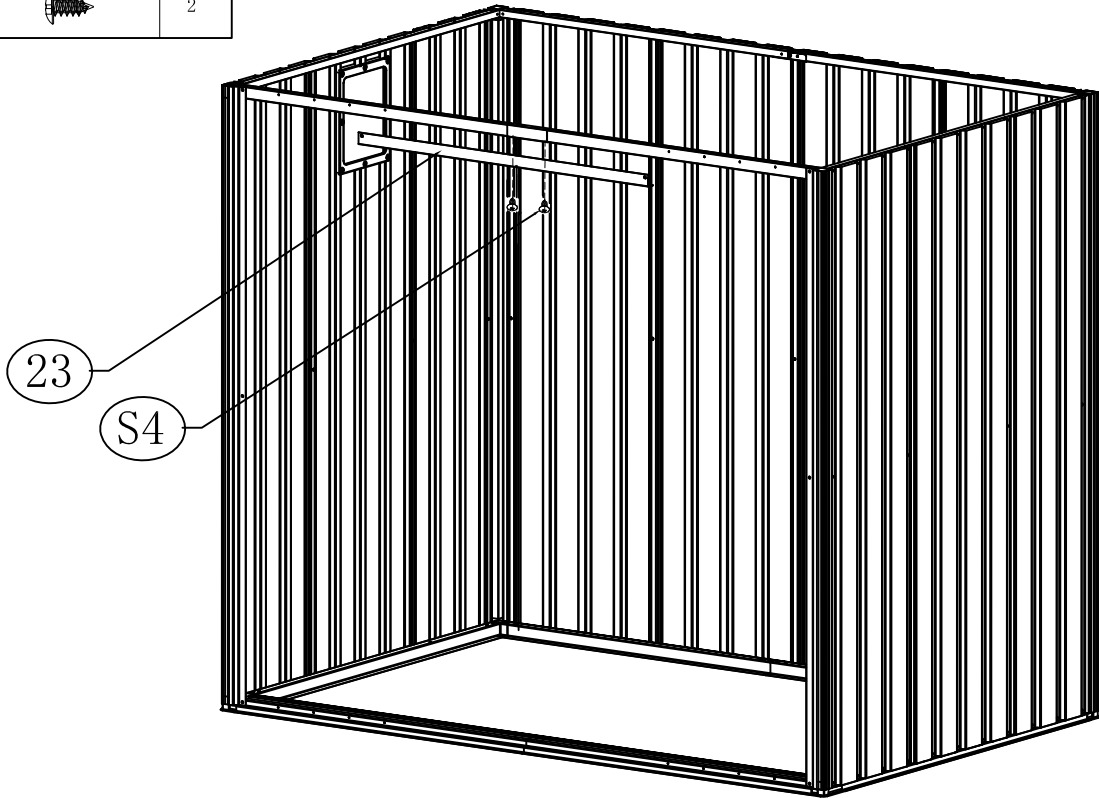
STEP 12

NO.	PART.	Qty.
F15		1
F16		1
F17		1
S4		8










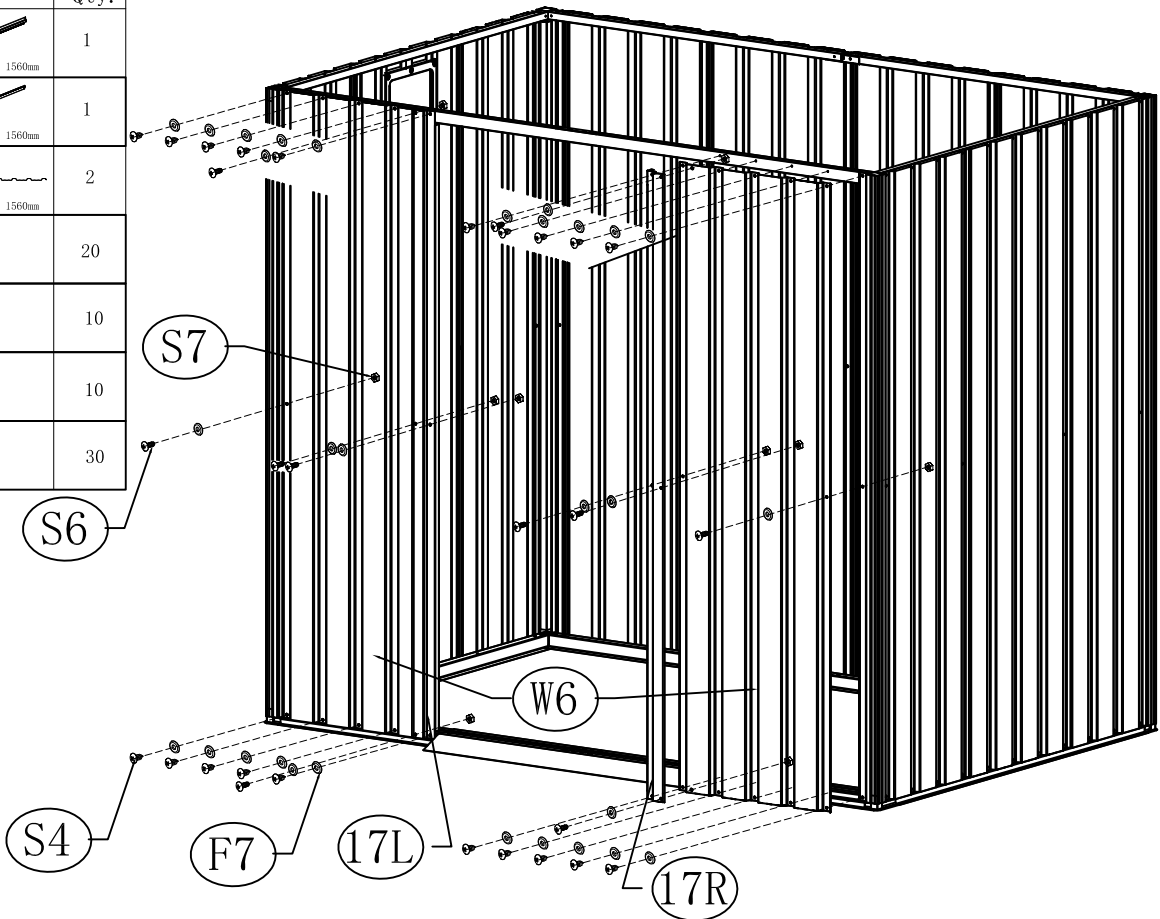
STEP 13

NO.	PART.	Qty.
23	 875mm	1
S4		2



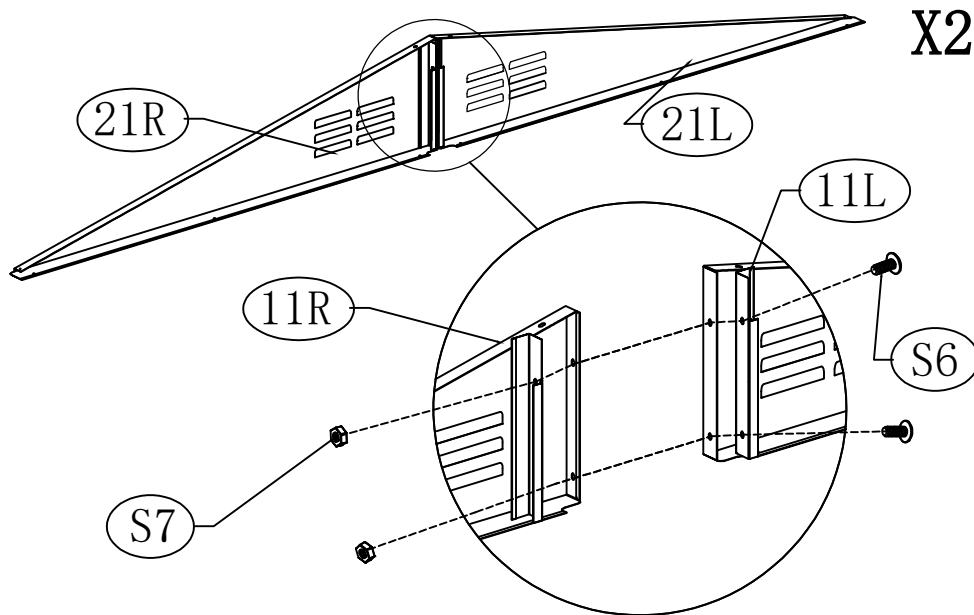
STEP 14

NO.	PART.	Qty.
17L	 1560mm	1
17R	 1560mm	1
W6	 1560mm	2
S4		20
S6		10
S7		10
F7		30



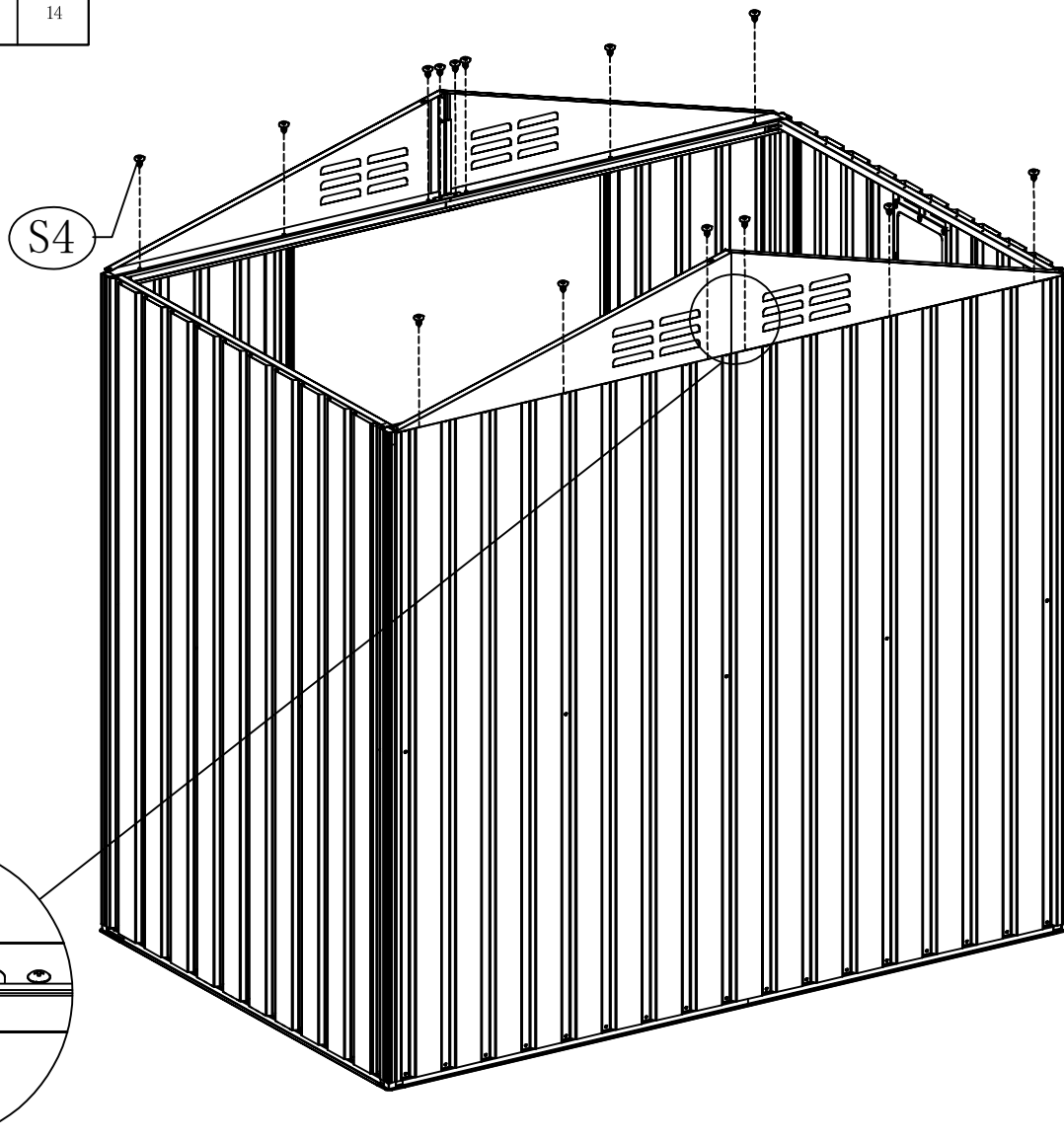
STEP 15

NO.	PART.	Qty.
21L		2
21R		2
11L		2
11R		2
S6		4
S7		4




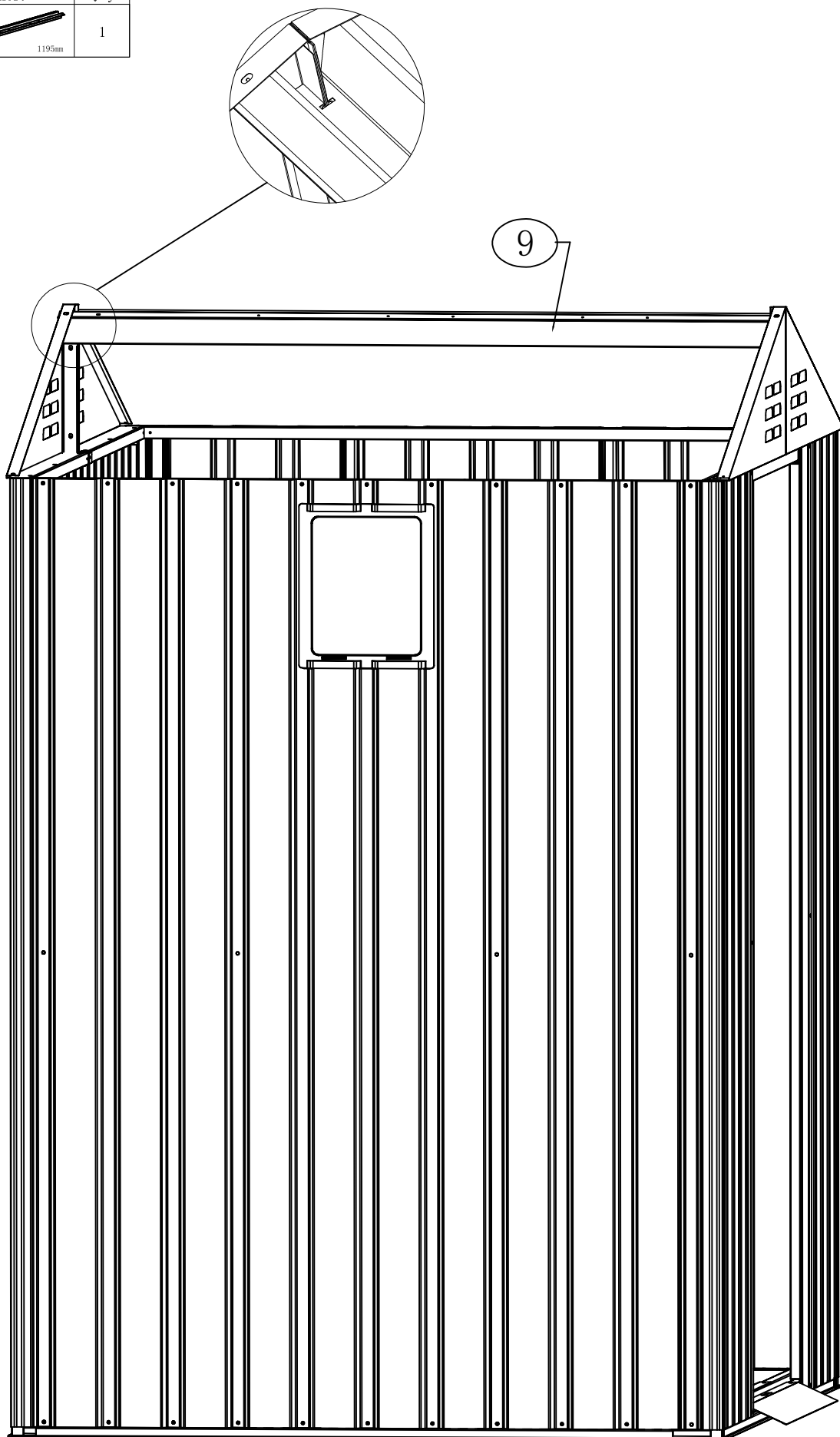
STEP 16

NO.	PART.	Qty.
S4		14






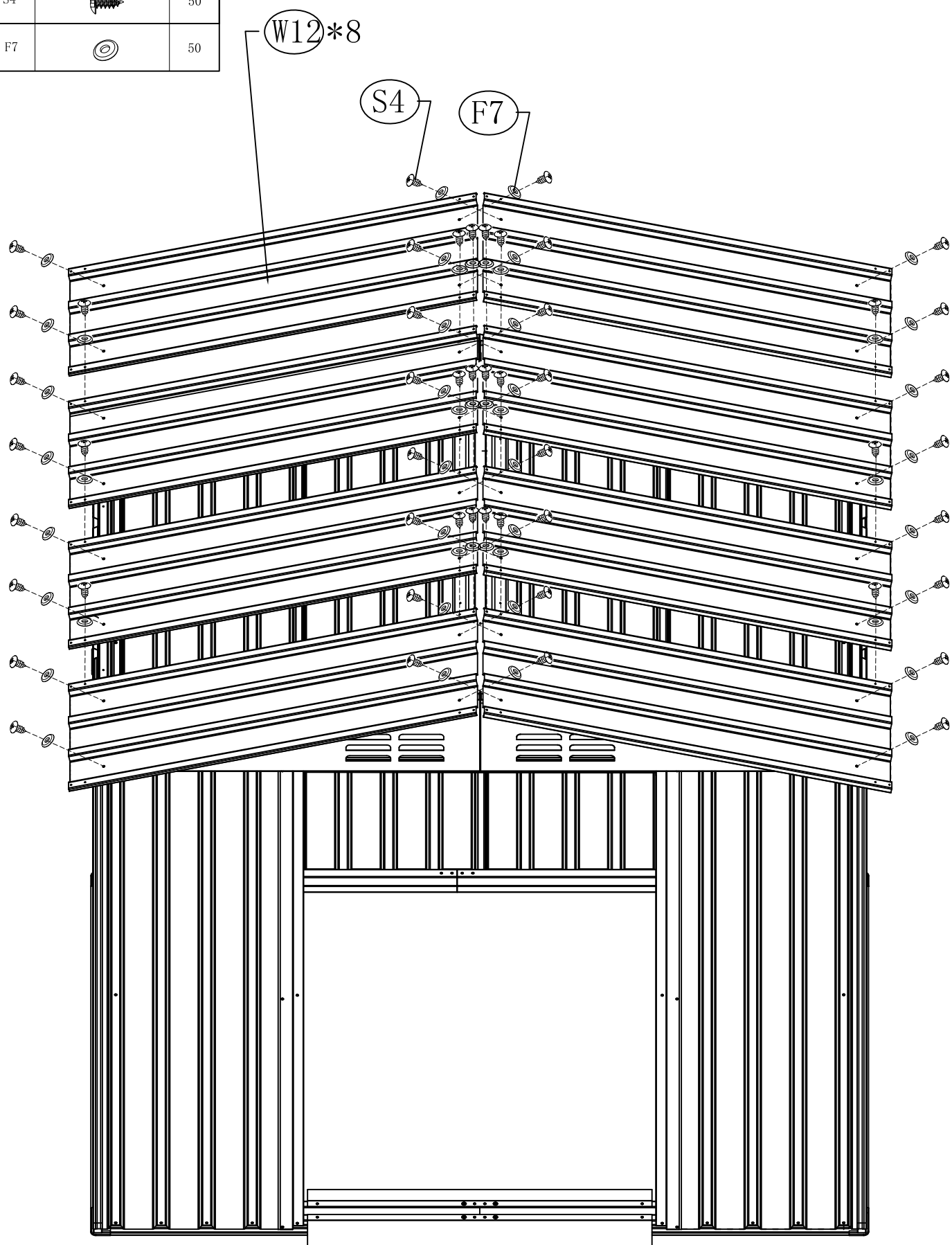
STEP 17

NO.	PART.	Qty.
9	 1195mm	1






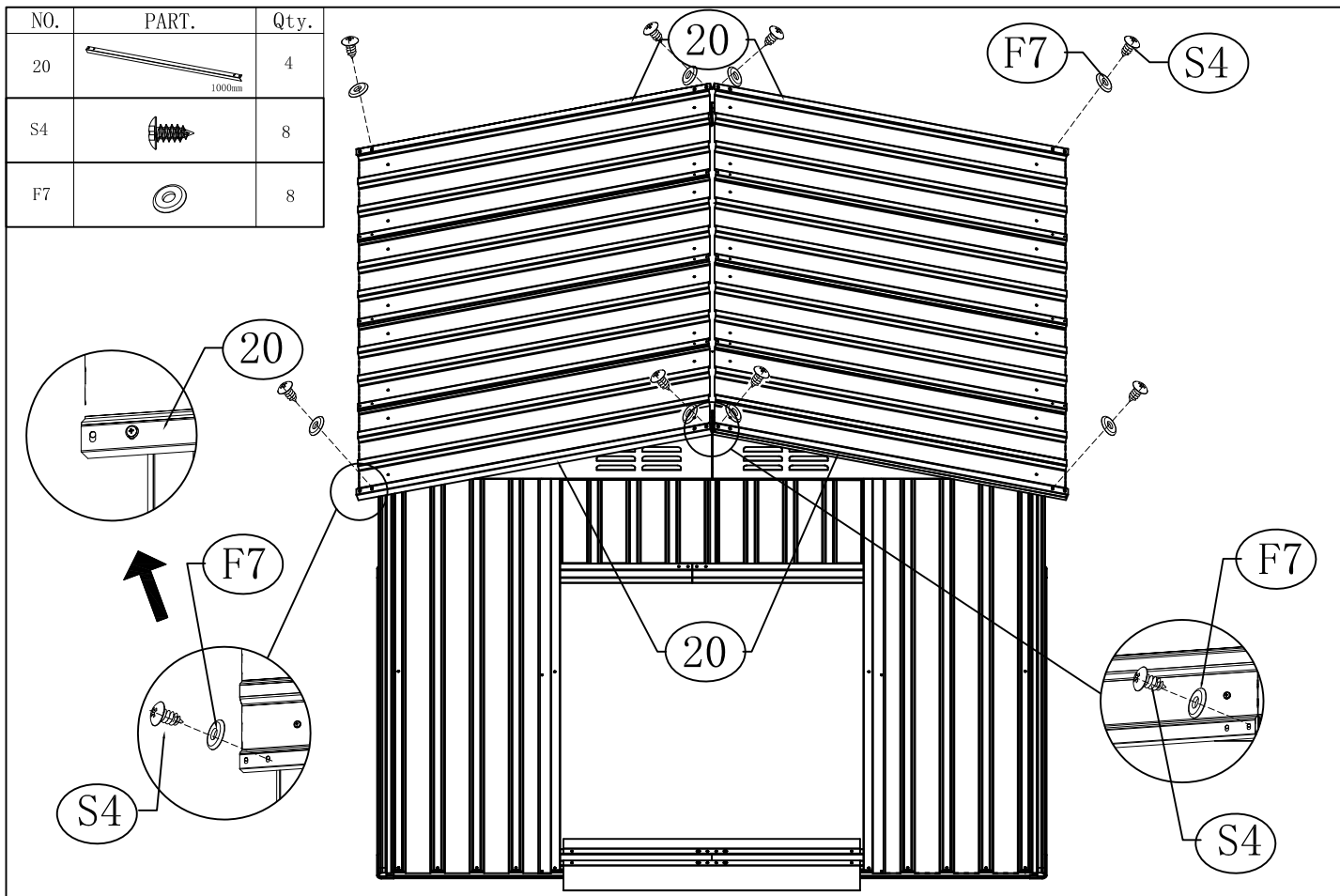
STEP 18

NO.	PART.	Qty.
W12	 992mm	8
S4		50
F7		50








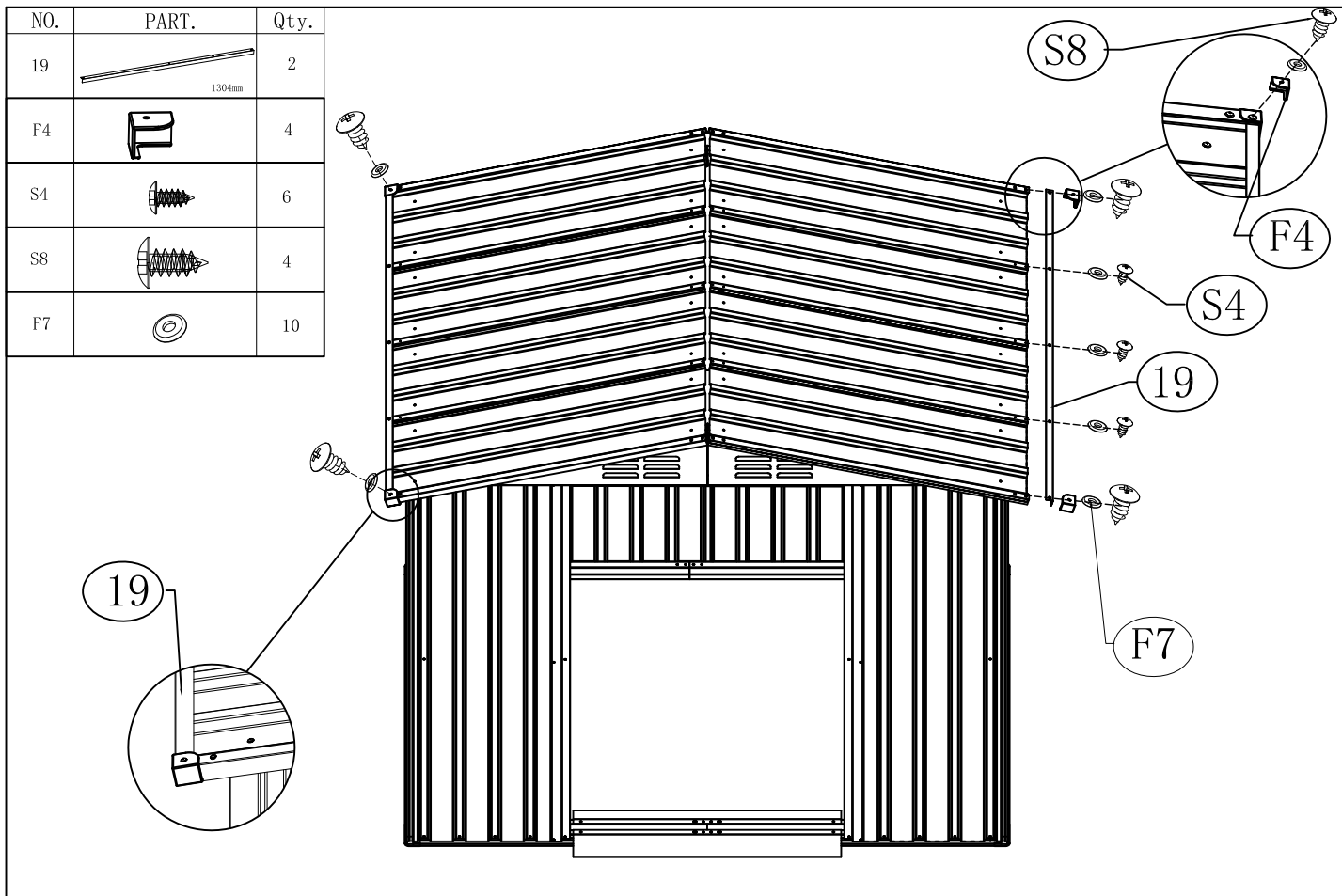
STEP 19

NO.	PART.	Qty.
20	 1000mm	4
S4		8
F7		8




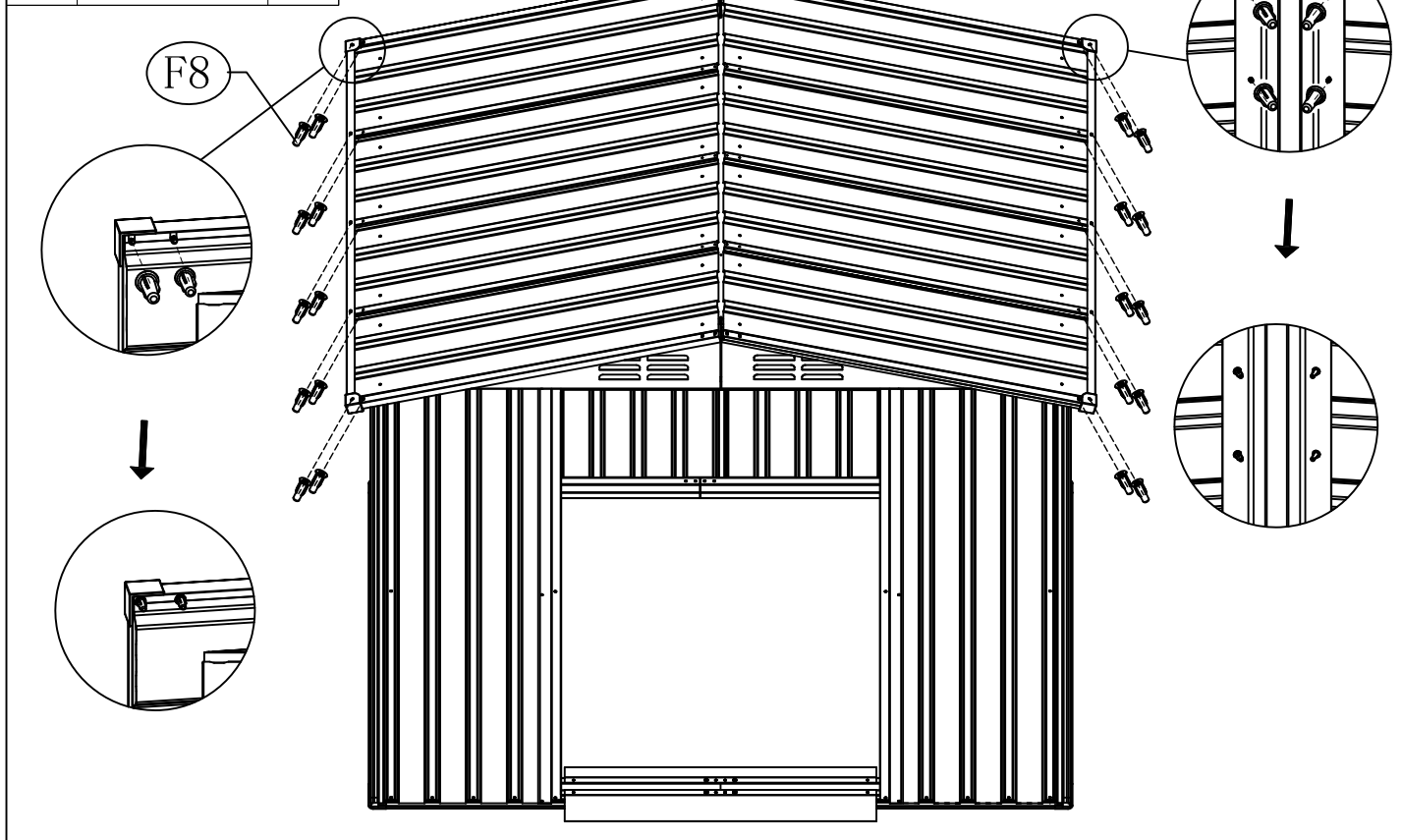
STEP 20

NO.	PART.	Qty.
19	 1304mm	2
F4		4
S4		6
S8		4
F7		10

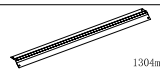





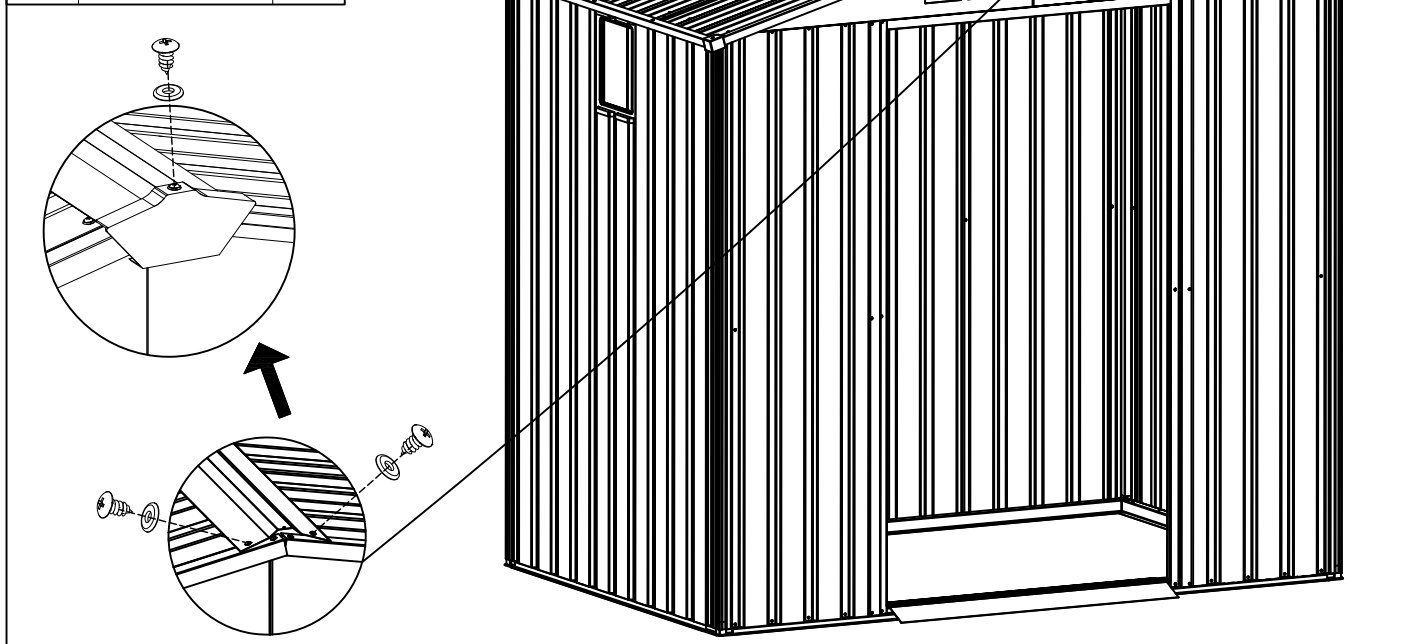
STEP 21

NO.	PART.	Qty.
F8		36

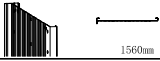
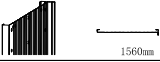
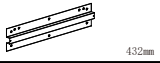







STEP 22

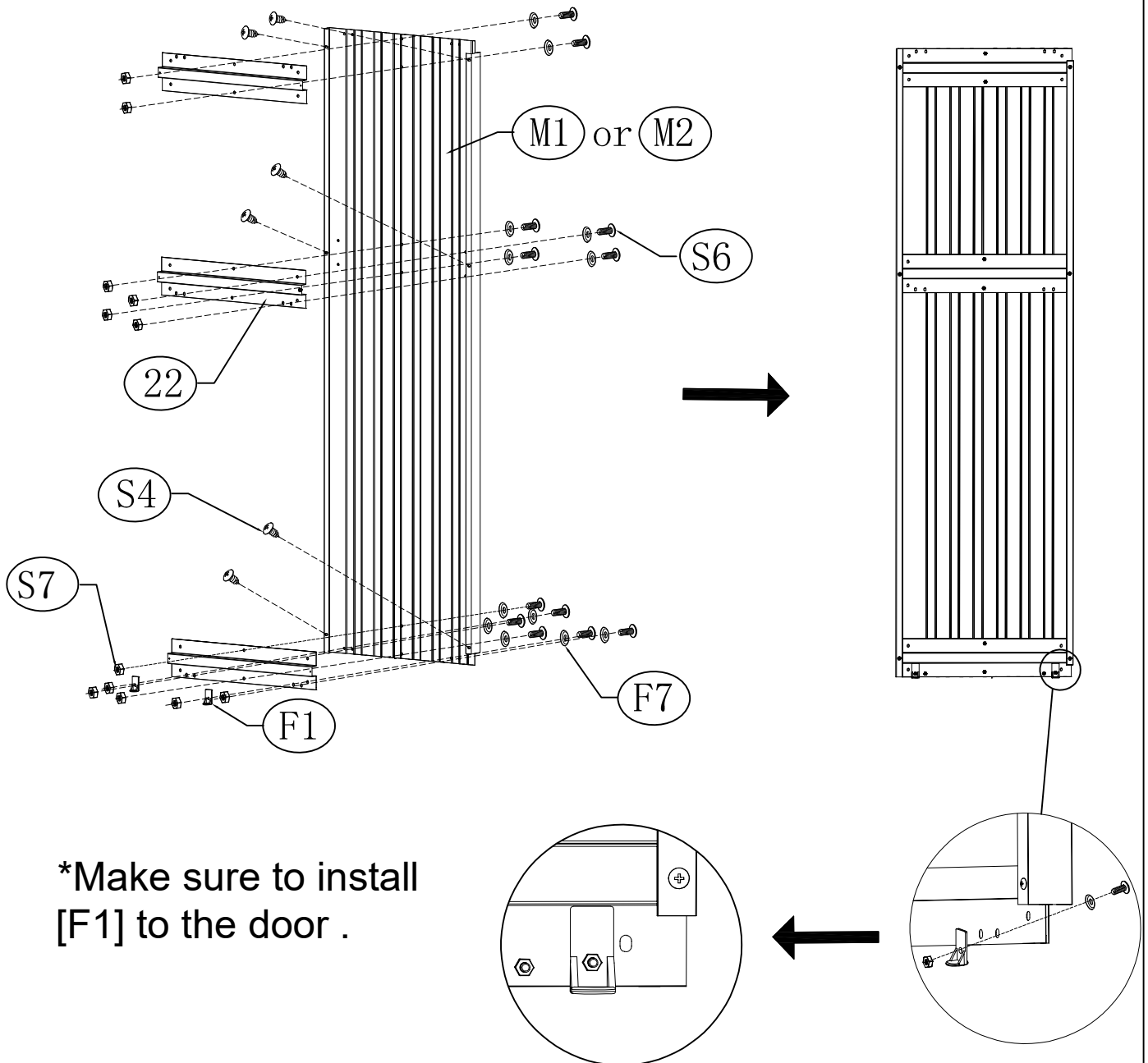
NO.	PART.	Qty.
18	 1304mm	1
F5		2
S4		6
F7		6



STEP 23

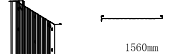
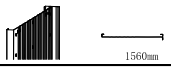



NO.	PART.	Qty.
M1	 1560mm	1
M2	 1560mm	1
22	 432mm	6
F1		4
S4		12
S6		24
S7		24
F7		36

X2

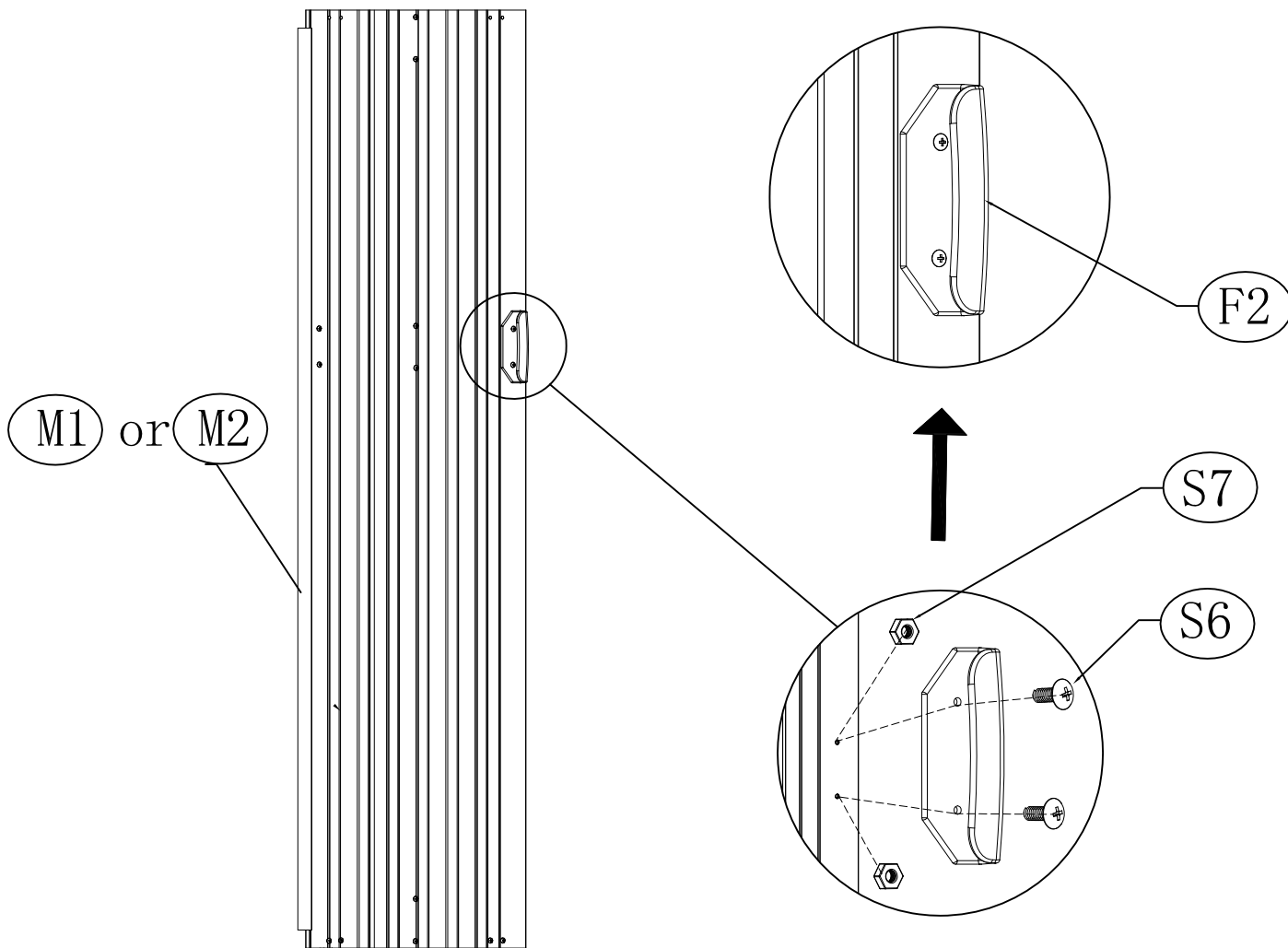


***Make sure to install [F1] to the door .**

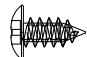
STEP 24

NO.	PART.	Qty.
M1		1
M2		1
S6		4
S7		4
F2		2

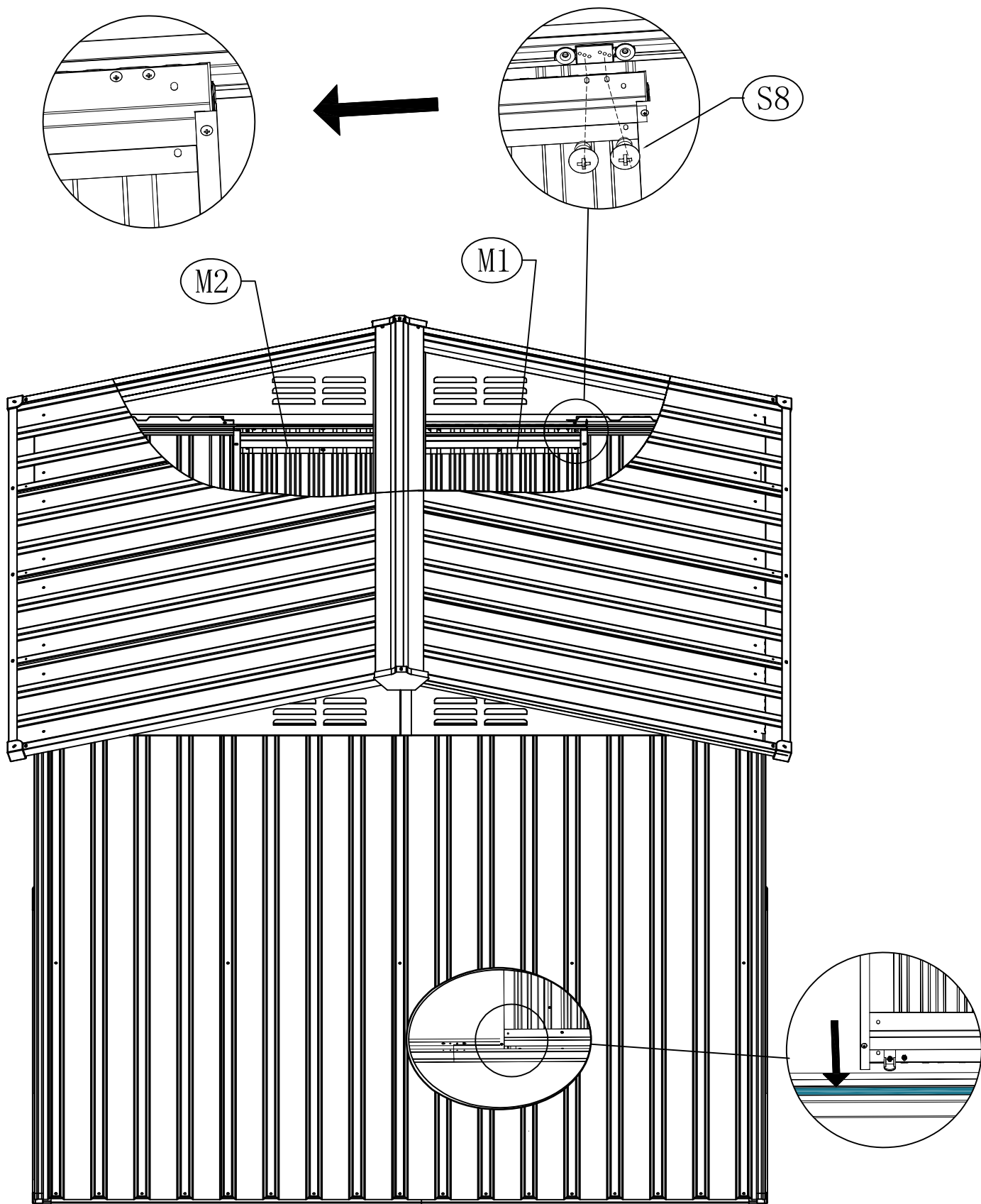
X2




STEP 25

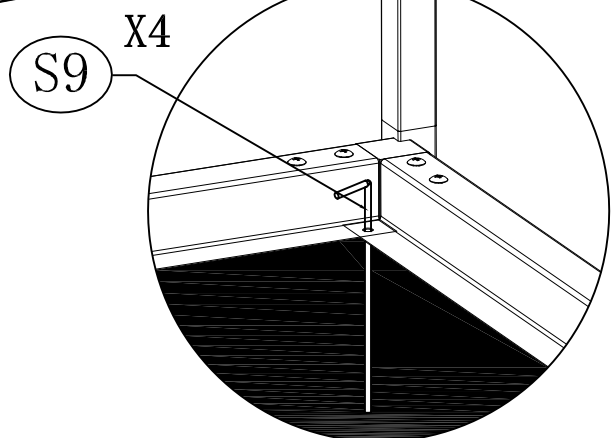
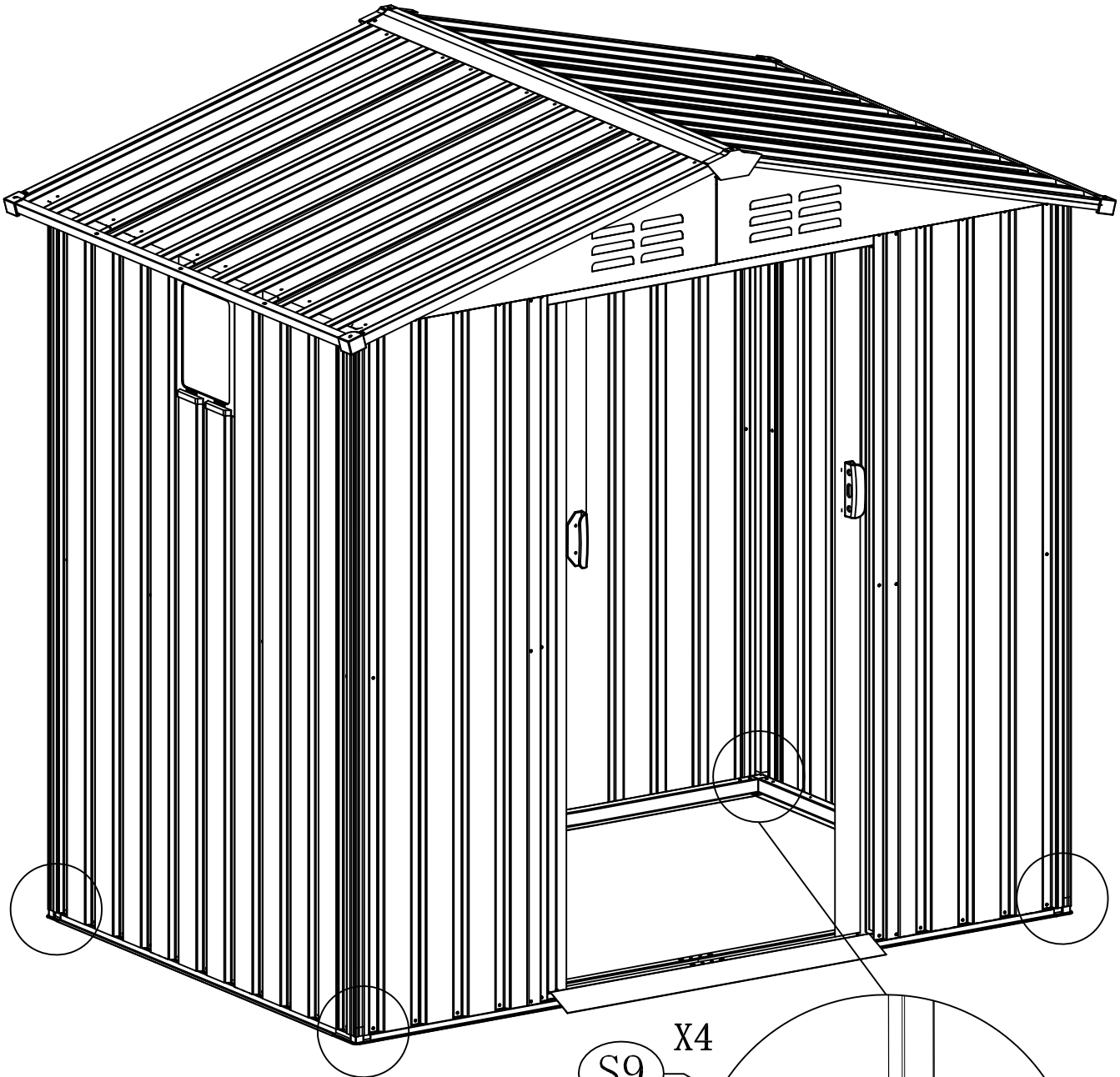
NO.	PART.	Qty.
S8		8

X4



STEP 26

NO.	PART.	Qty.
S9		4



If the shed is installed on grass, the [S9] can be used to increase the stability of the shed.