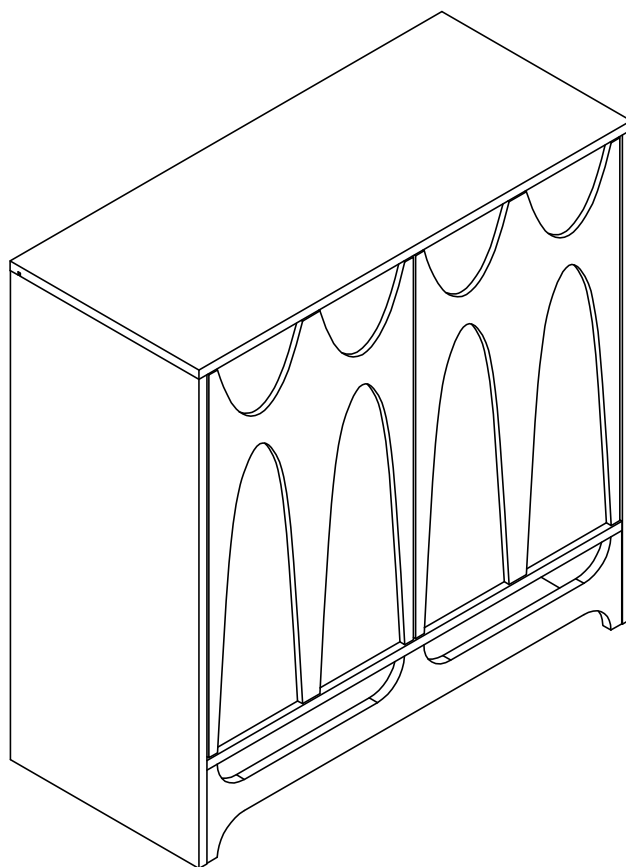


Installation Instruction



Assembling

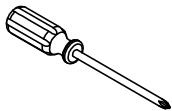
Estimated time for assembly



45 : 00

What you need

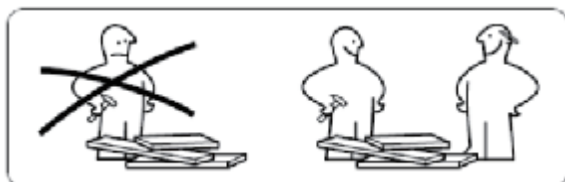
- Use the packaging carton as a working surface to prevent product damage during assembly
- Phillips head screwdriver



Weight Limitation



100 | **35**
lbs table top lbs per

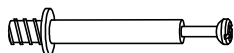


What' included

Code	Description	Qty
A	Cam Bolt M6X35MM	15
B	Cam Lock 15X12MM	15
C	Wooden Dowel M8X30MM	4
D	Screw M4X40MM	2
E	Screw M3.5X14MM	2
F	Anchor	2
G	L-shaped metal sheet	2
H	Screw M3.0X14MM	18
I	The back button	12
J	Foot nail	4
K	Circular hole Decals	8
L	Door Rebound Device	2
M	Door Rebound Device Holder	2
N	Ring washer	2
O	Door latch	4
P	Shelf Holder	4

The Hardwares

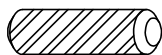
(A)



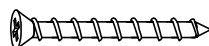
(B)



(C)



(D)



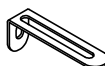
(E)



(F)



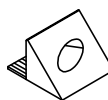
(G)



(H)



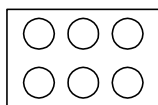
(I)



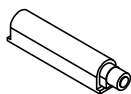
(J)



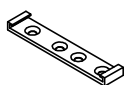
(K)



(L)



(M)



(N)



(O)



(P)



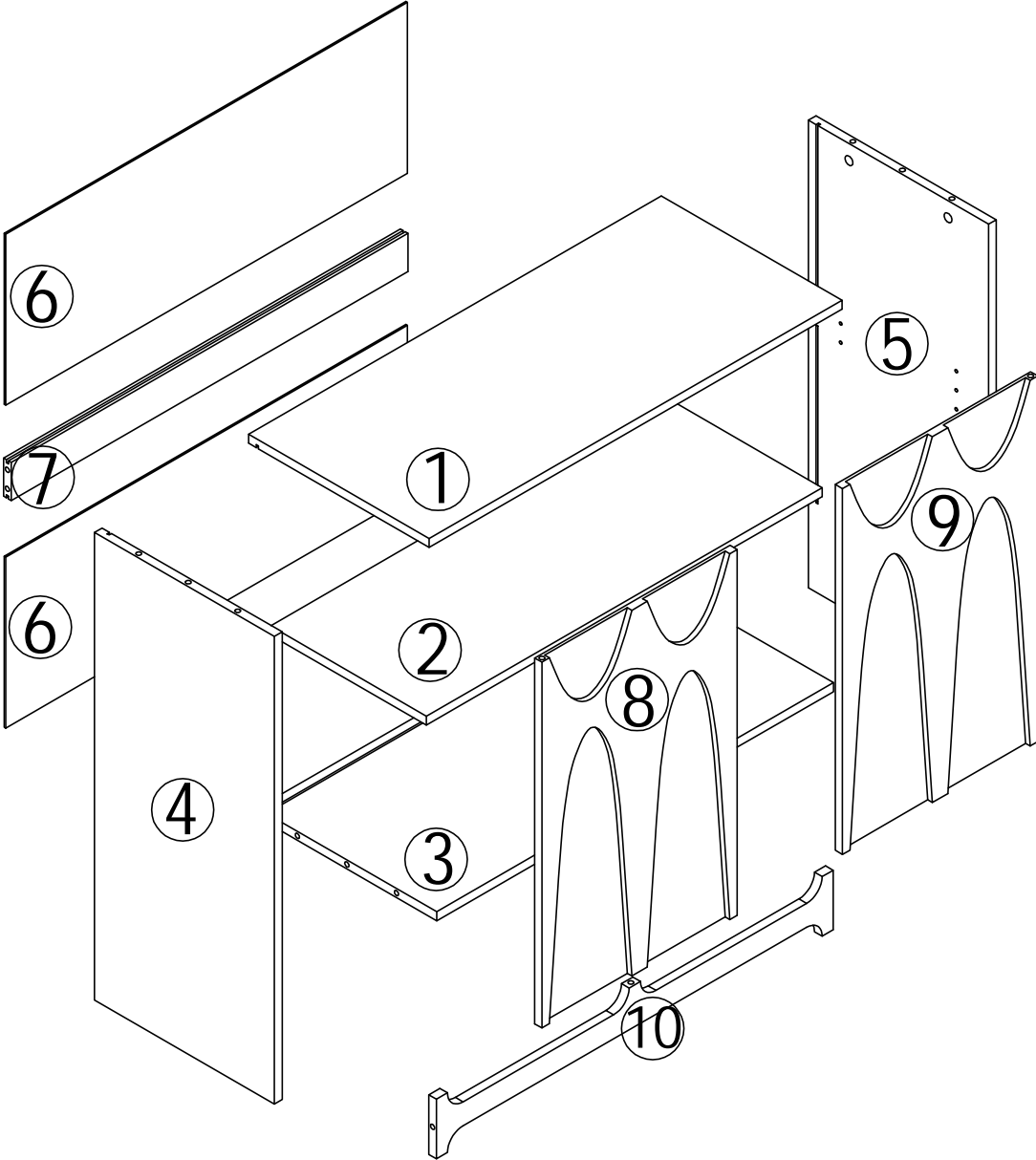
IMPORTANT:

1. Do not tighten bolts / screws completely until all bolts / screws are lined up and inserted into holes.
2. Do not over tighten screws and bolts to avoid stripping
3. Please use hand tools to assemble this product. Do not use power tools.

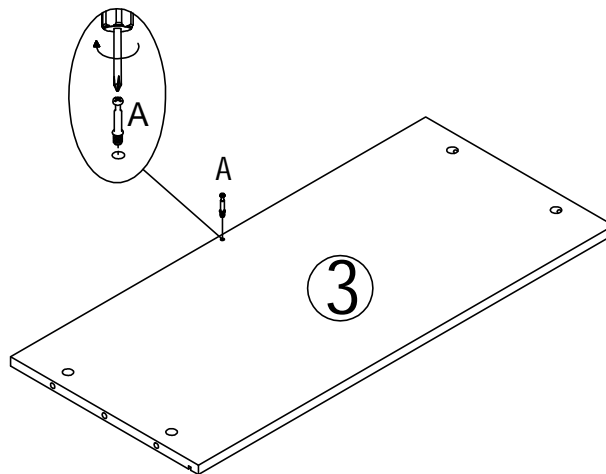
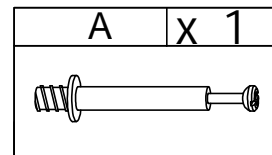
Included Accessories

Code	Description	Qty
1	Cabinet Top	1
2	Laminated plate	1
3	Bottom Panel	1
4	Left Side Panel	1
5	Right Side Panel	1
6	Backboard	2
7	Back tie	1
8	Left Door	1
9	Right Door	1
10	Decorative strip	1

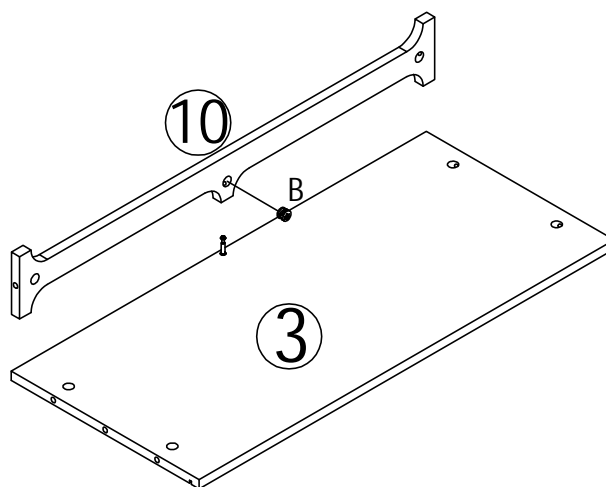
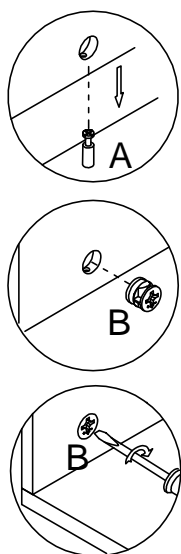
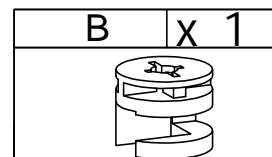
The Accessoriess




Step 1

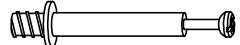


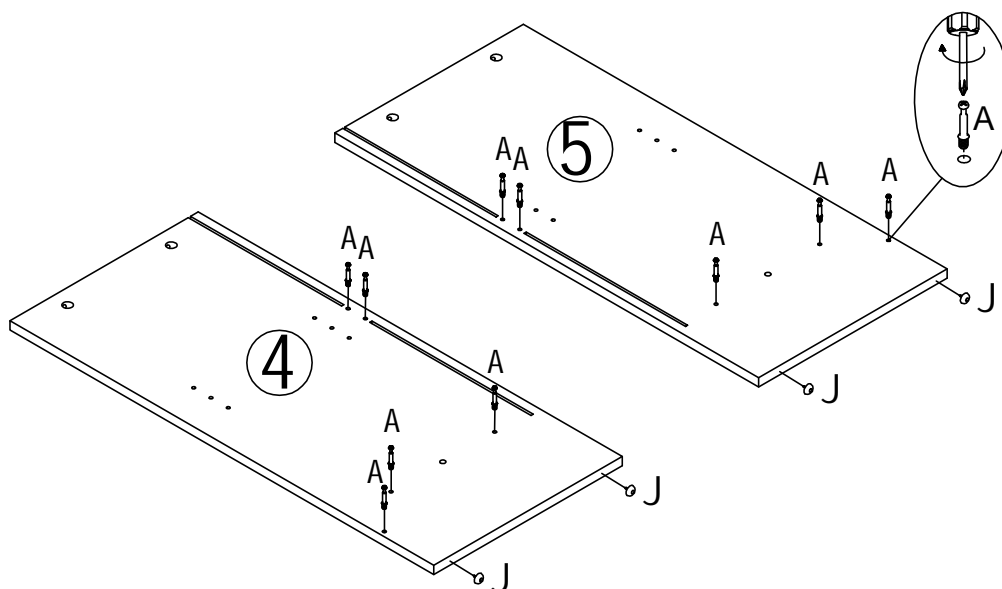
Step 2



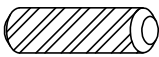
Step 3

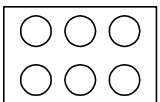
J	X 4
	


A	X 10
	

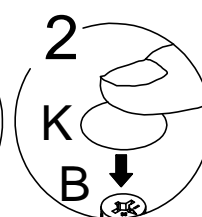
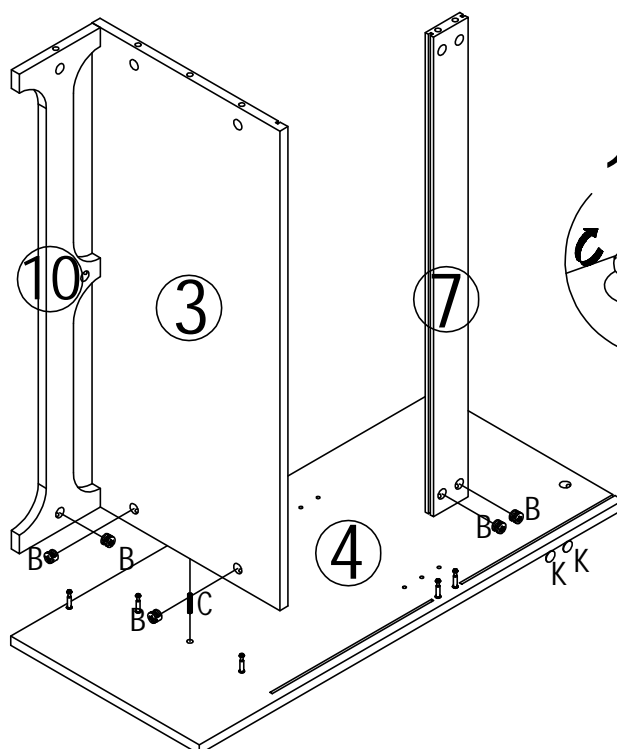
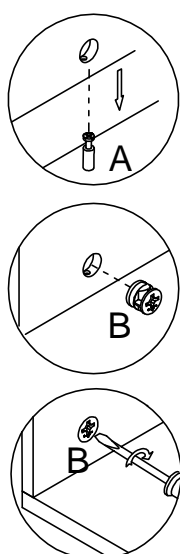


Step 4

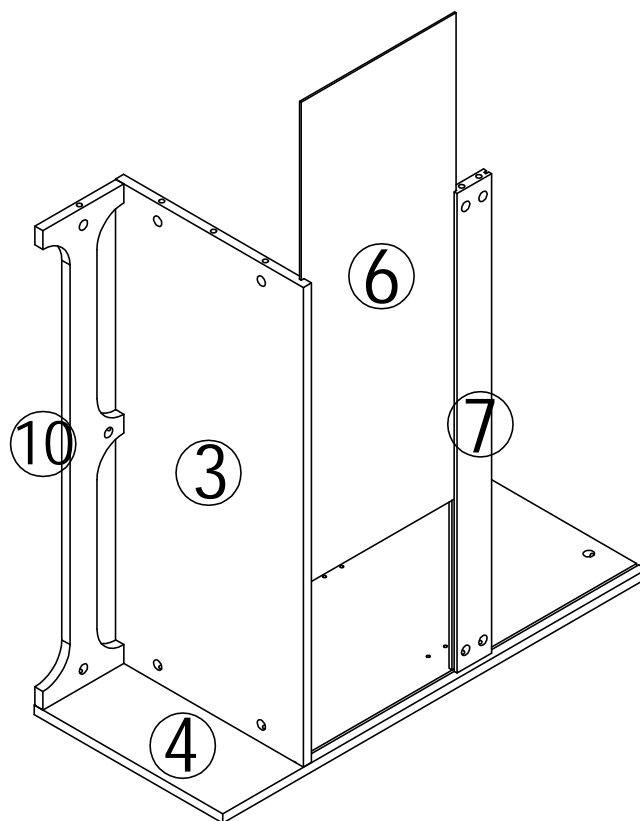
C	X 1
	

K	X 2
	

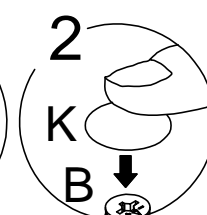
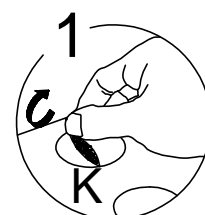
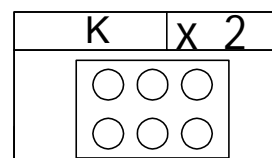
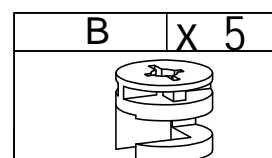
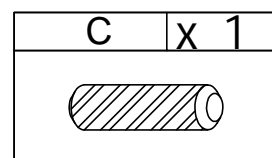
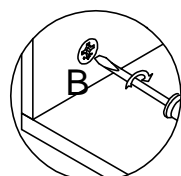
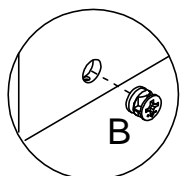
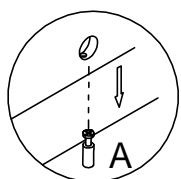
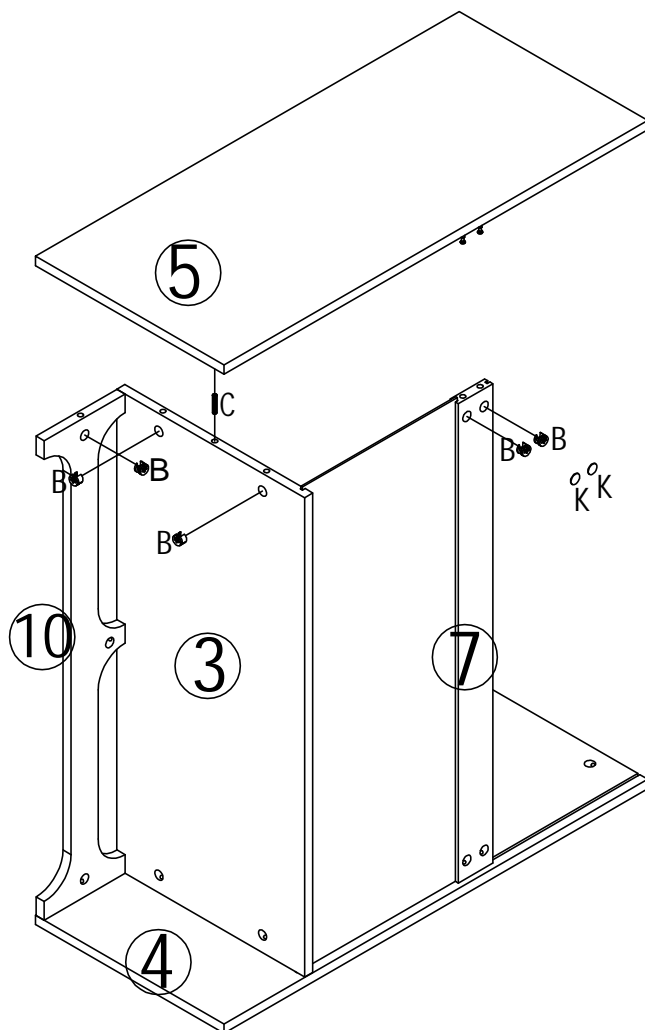
B	X 5
	



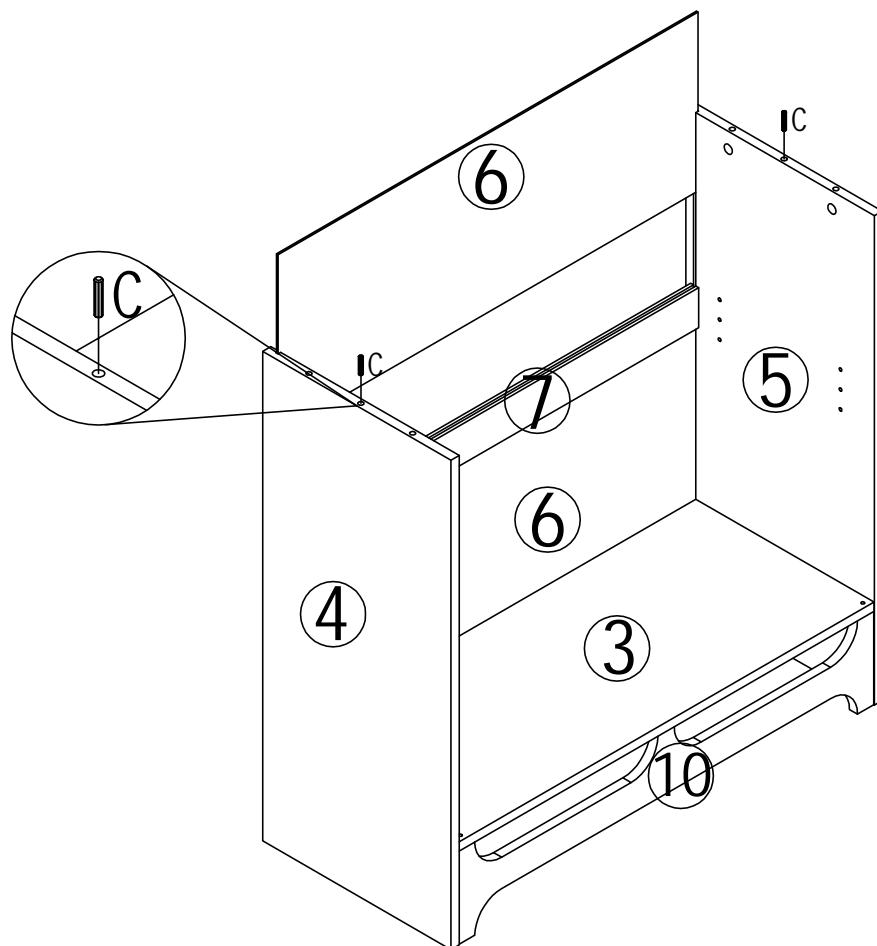
Step 5



Step 6

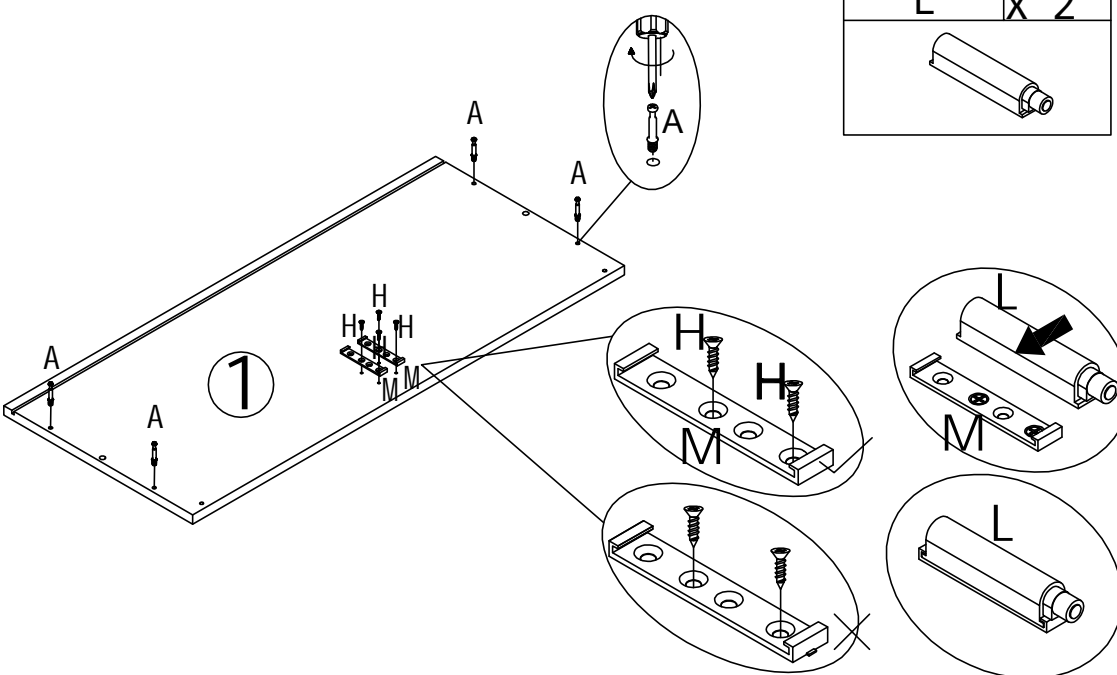


Step 7



C	x 2

Step 8



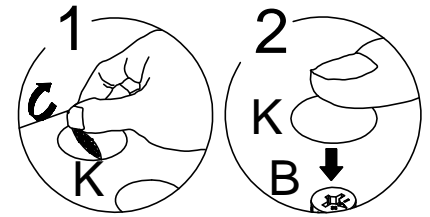
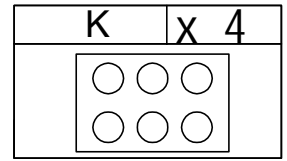
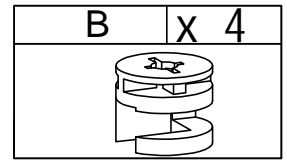
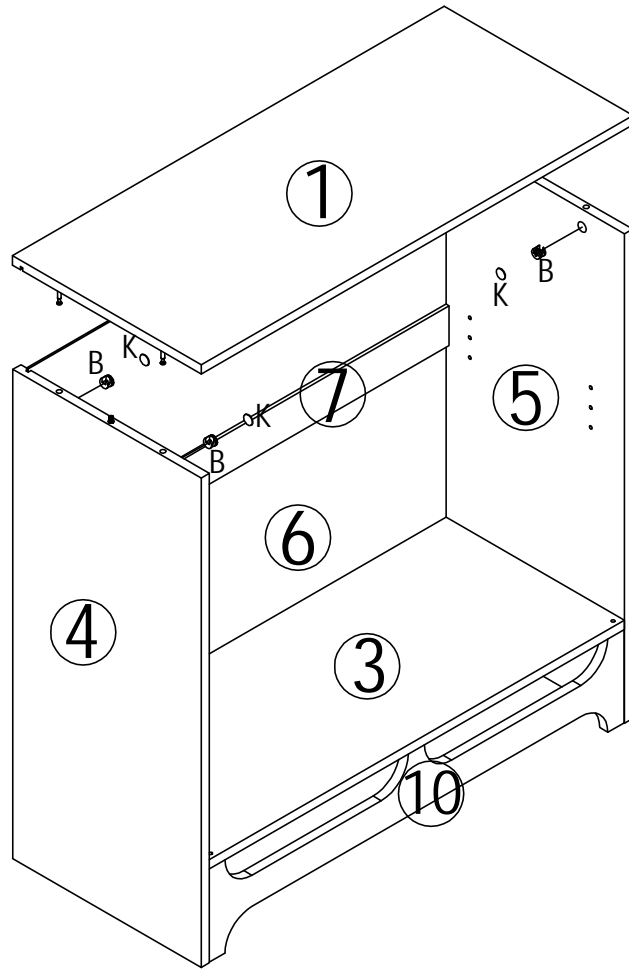
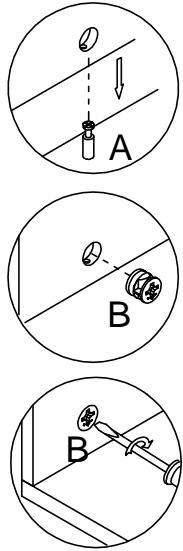
M	x 2

A	x 4

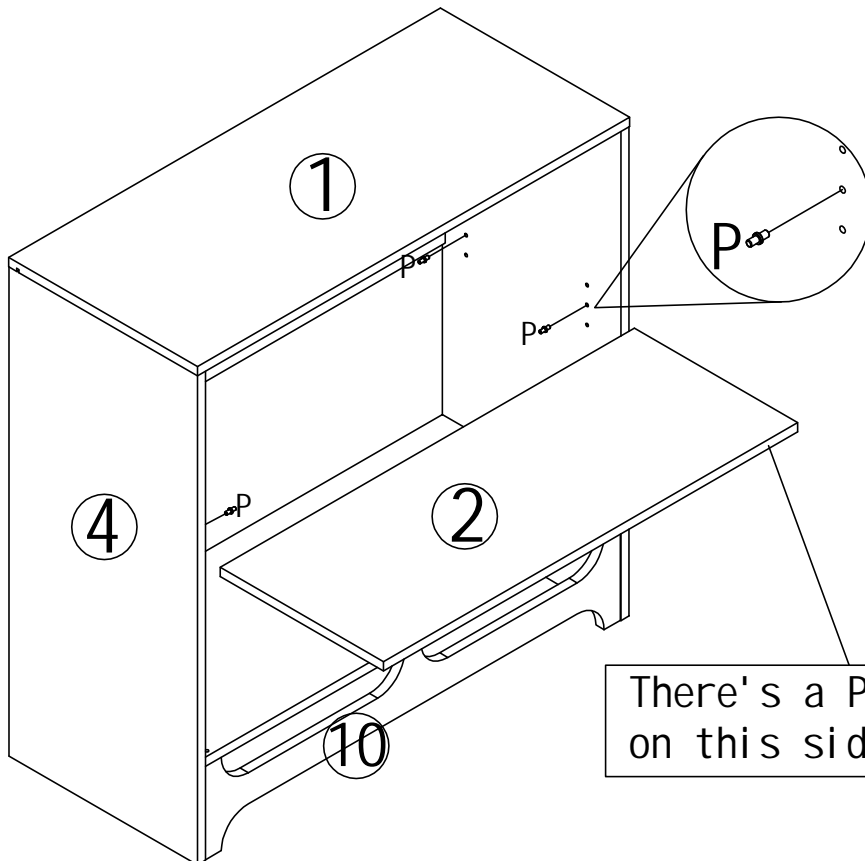
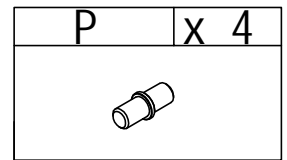
L	x 2

H	x 4

Step 9

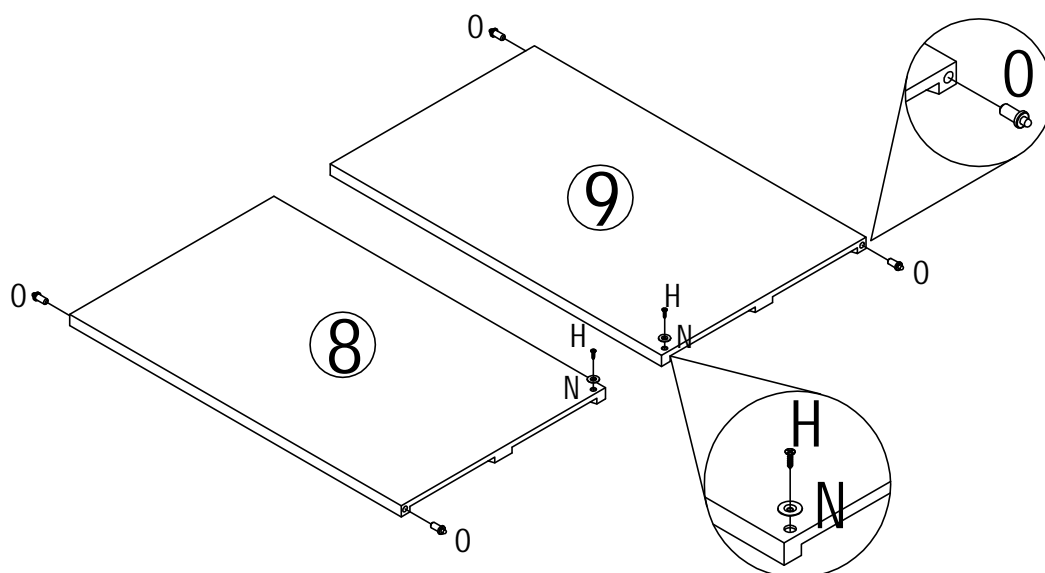
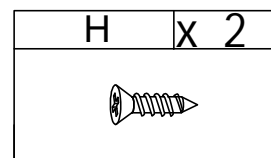
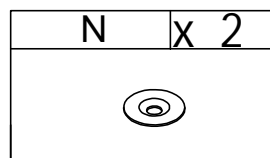
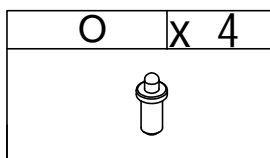


Step 10

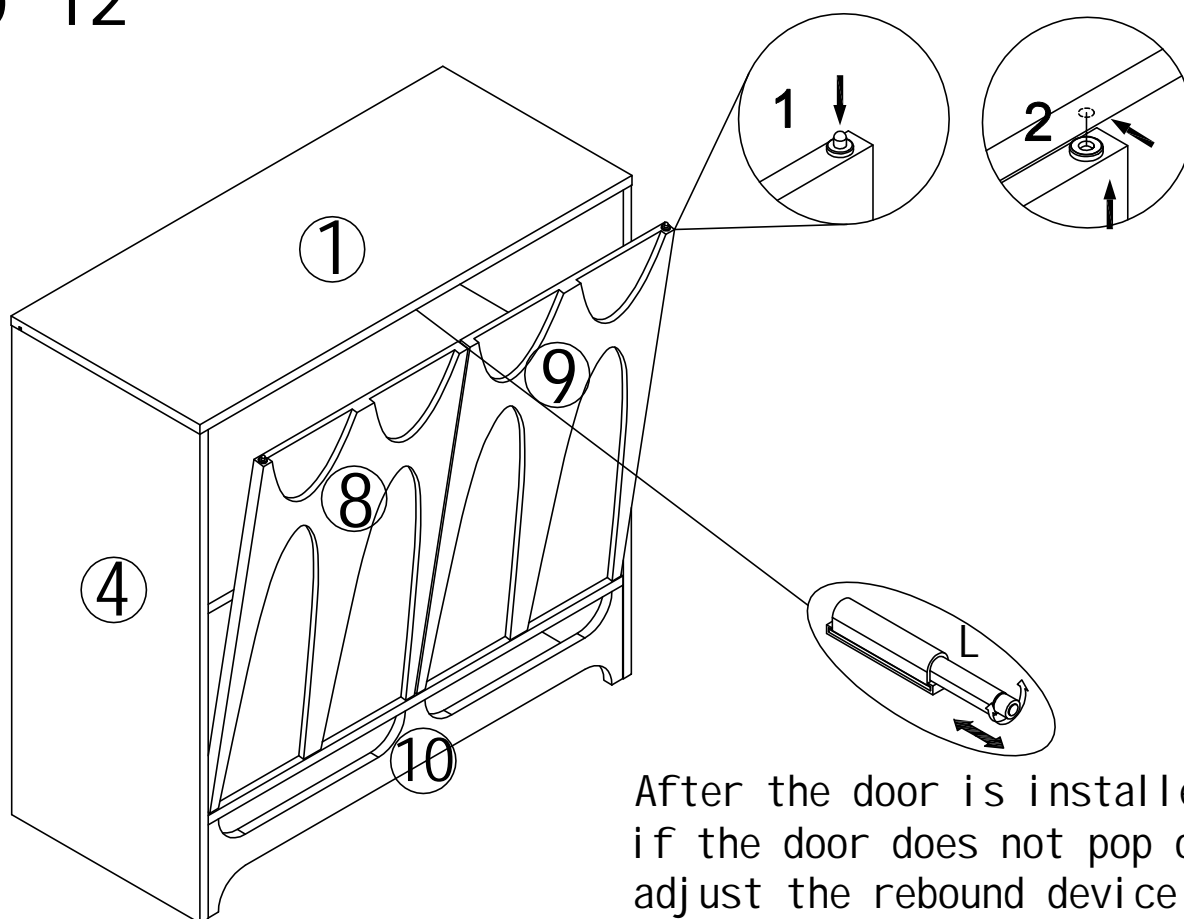


There's a PVC border on this side

Step 11

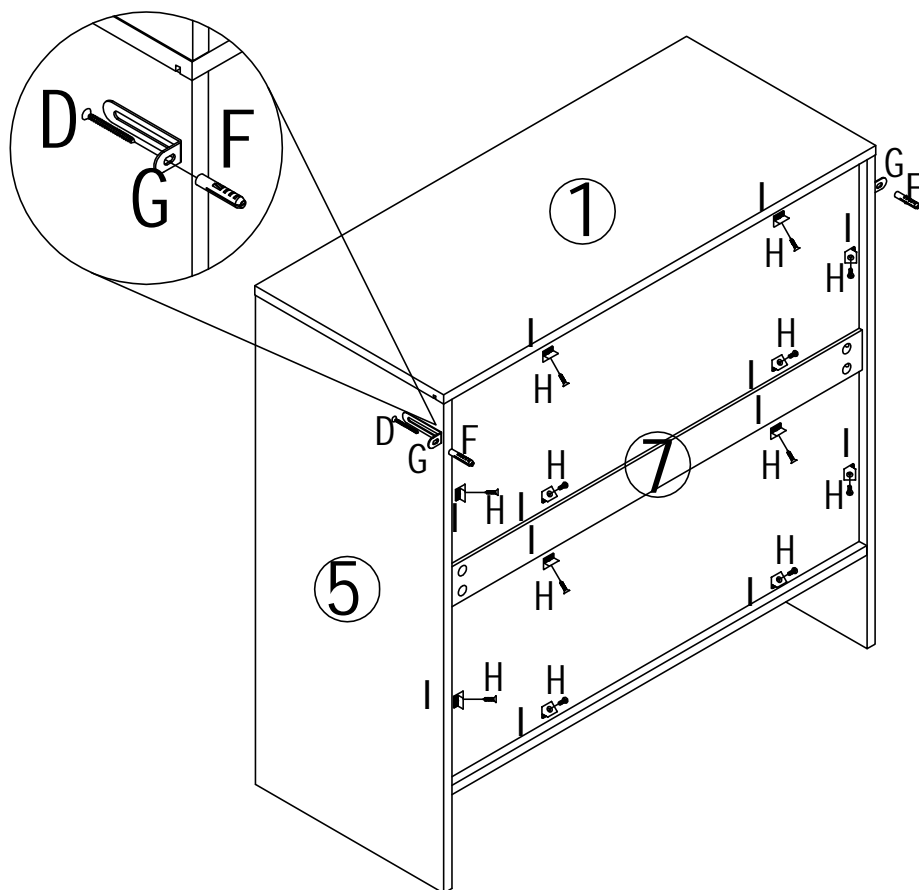
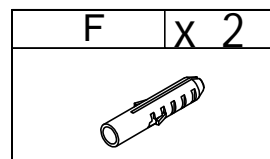
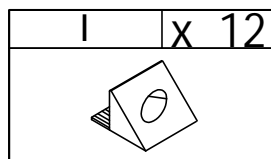
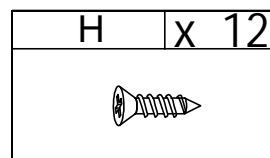
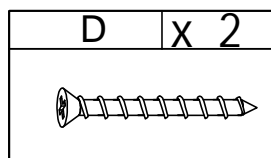
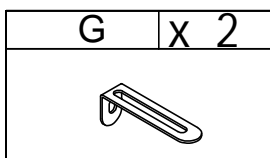


Step 12

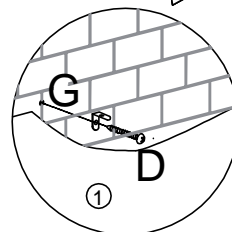
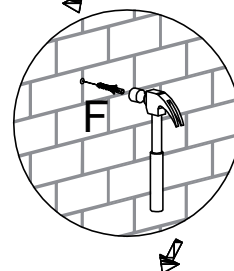
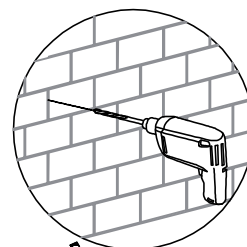


After the door is installed, if the door does not pop out, adjust the rebound device according to the figure

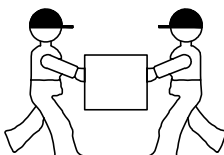
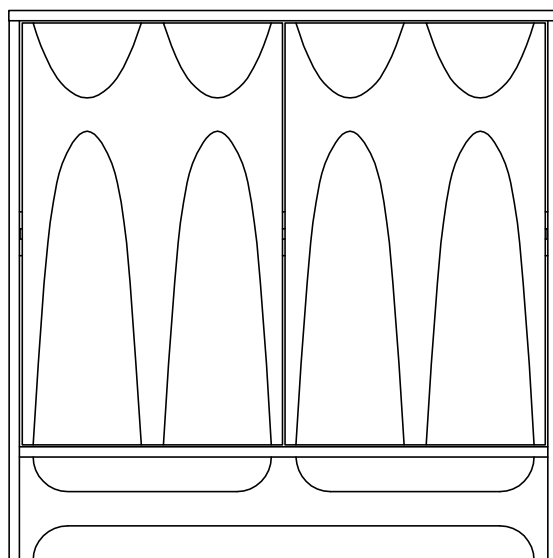
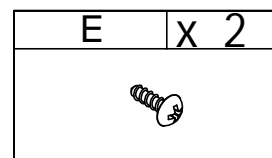
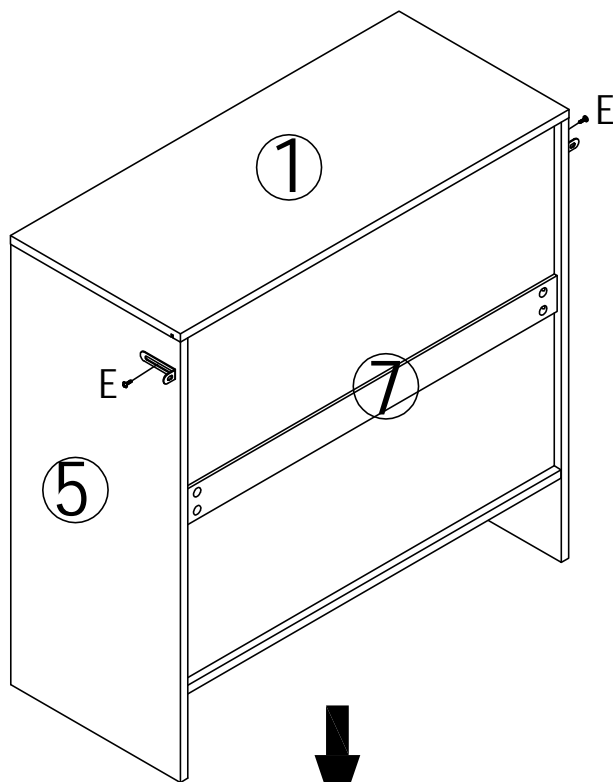
Step 13



drill hole in wall



Step 14



Two people work together to move the cabinet. Make sure you lift it off the ground. Don't push and pull.