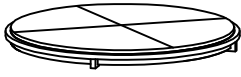


ASSEMBLY INSTRUCTION

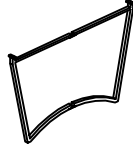
DINING TABLE

A Top Panel



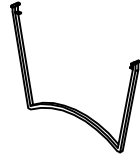
1 PC

B Support Frame



1 PC

C Side Frame



1 PC

D Rail



1 PC

E Bolt
1/4"*5/8"



12 PCS

F Spring Washer
1/4"



12 PCS

G Flat Washer
1/4"

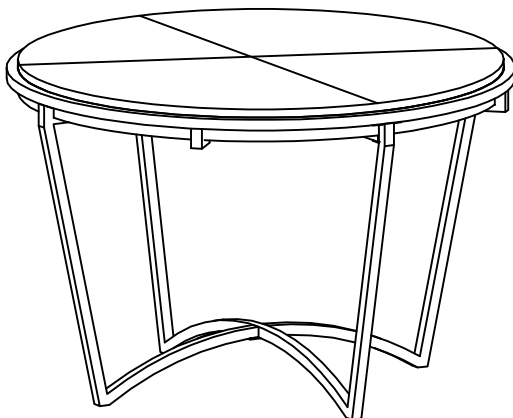


12 PCS

H Allen Key
M4



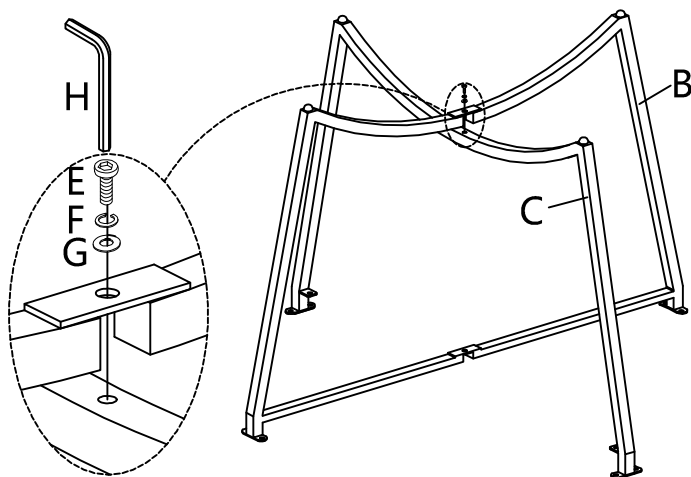
1 PC



This page lists all the contents included in the box. Please take the time to identify the hardware as well as the individual components to this product. As you unpack and prepare for assembly, place the contents on a carpeted or padded area to protect them from damage.

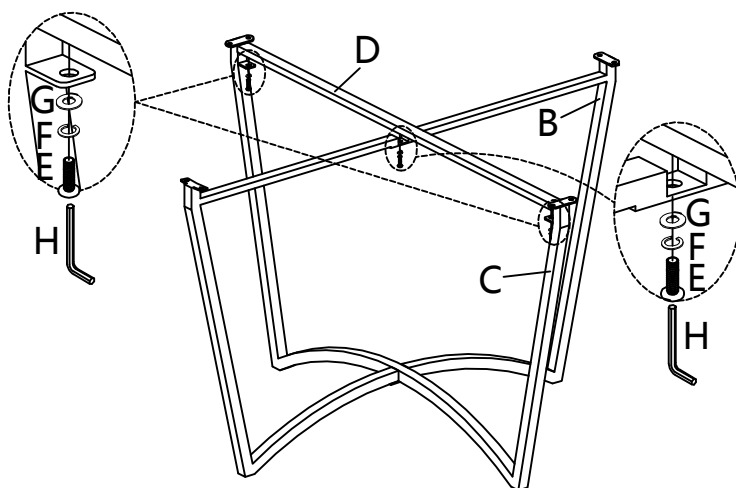
1 Attach Side Frame (C) to Support Frame (B) using Bolt (E), Spring Washer (F), Flat Washer (G) with Allen Key (H).

Note: At this stage, do not fully tighten the Bolts.



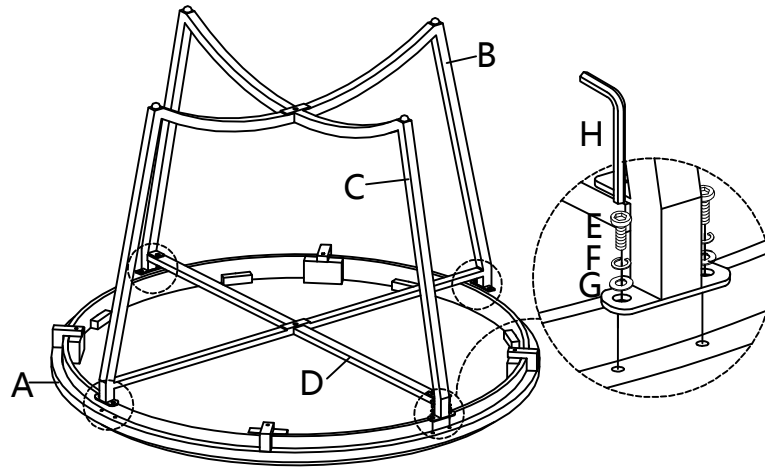
2 Stand the base frame up. Using Bolt (E), Spring Washer (F), Flat Washer (G) with Allen Key (H) to fix Rail (D) to Side Frame (C) and Support Frame (B).

Note: At this stage, do not fully tighten the Bolts.

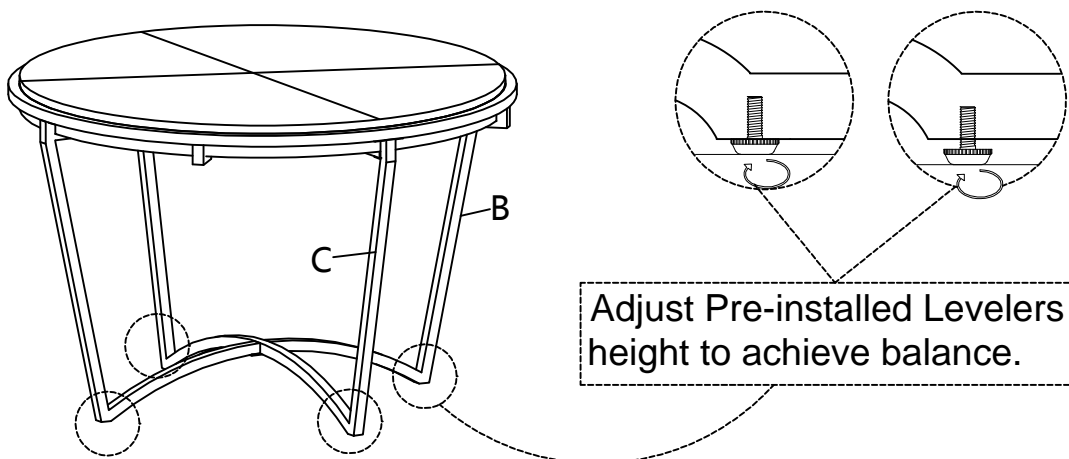


- 3** Attach table base frame to bottom of Top Panel (A) using Bolt (E), Spring Washer (F), Flat Washer (G) with Allen Key (H).

Note: At this stage, tighten all Bolts at all joints fully in a sequential manner.



- 4** Adjust the pre-installed levelers at the bottom of Support Frame (B) and Side Frame (C) until the Dining Table is level with the ground.



Cleaning & Care

Treat surface with care. Surface is resistant to scratches but is not scratch resistant. Clean surfaces with a dry or damp soft cloth. Do not use abrasive cleaners. Hardware may loosen over time. Periodically check that all connections are tight.

ASSEMBLY INSTRUCTION

DINING CHAIR

A Chair Seat



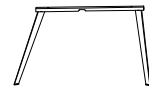
1 PC

B Lower Leg Frame



1 PC

C Upper Leg Frame



1 PC

D Bolt
1/4 " * 1-1/4 "



5 PCS

E Spring Washer
1/4 "



5 PCS

F Flat Washer
1/4 "

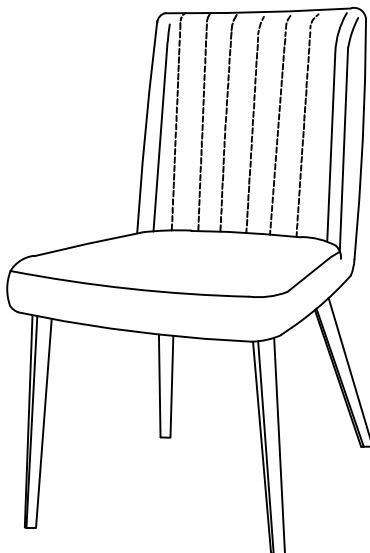


5 PCS

G Allen Key
M4



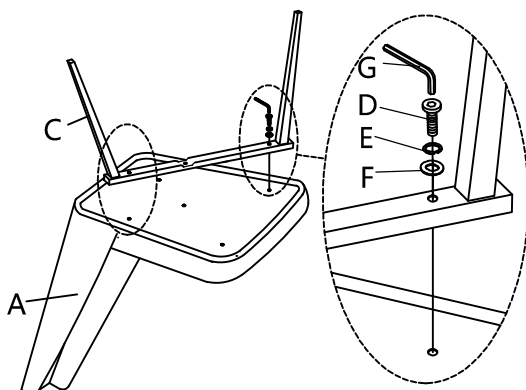
1 PC



This page lists all the contents included in the box. Please take the time to identify the hardware as well as the individual components to this product. As you unpack and prepare for assembly, place the contents on a carpeted or padded area to protect them from damage.

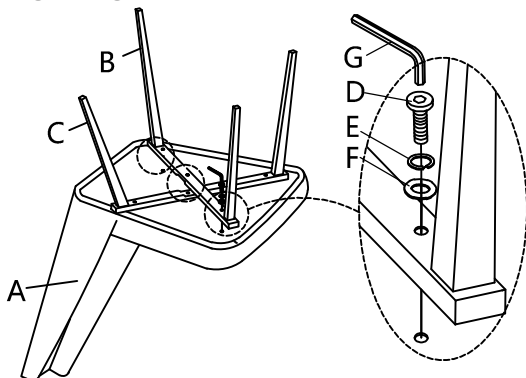
-
- 1** Attach Upper Leg Frame (C) to Chair Seat (A) using Bolt (D), Spring Washer (E), Flat Washer (F) with Allen Key (G).

Note: At this stage, do not fully tighten the Bolts.

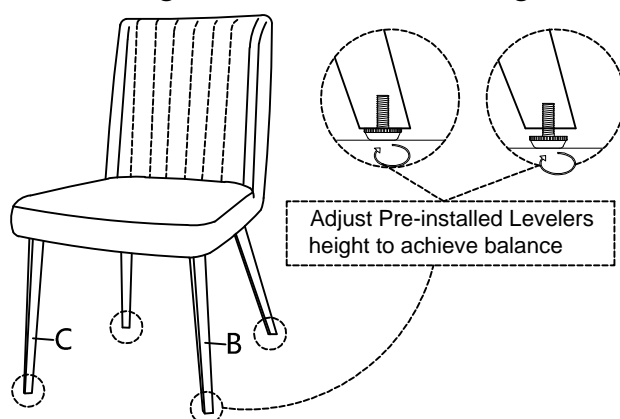


-
- 2** Attach Lower Leg Frame (B) to Upper Leg Frame (C) using Bolt (D), Spring Washer (E), Flat Washer (F) with Allen Key (G).

Note: At this stage, tighten all Bolts at all joints fully in a sequential manner.



-
- 3** Adjust the pre-installed levelers at the bottom of Lower Leg Frame (B) and Upper Leg Frame (C) until the Dining Chair is level with the ground.



Cleaning & Care

Treat surface with care. Surface is resistant to scratches but is not scratch resistant. Clean surfaces with a dry or damp soft cloth. Do not use abrasive cleaners. Hardware may loosen over time. Periodically check that all connections are tight.