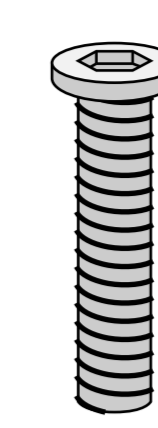
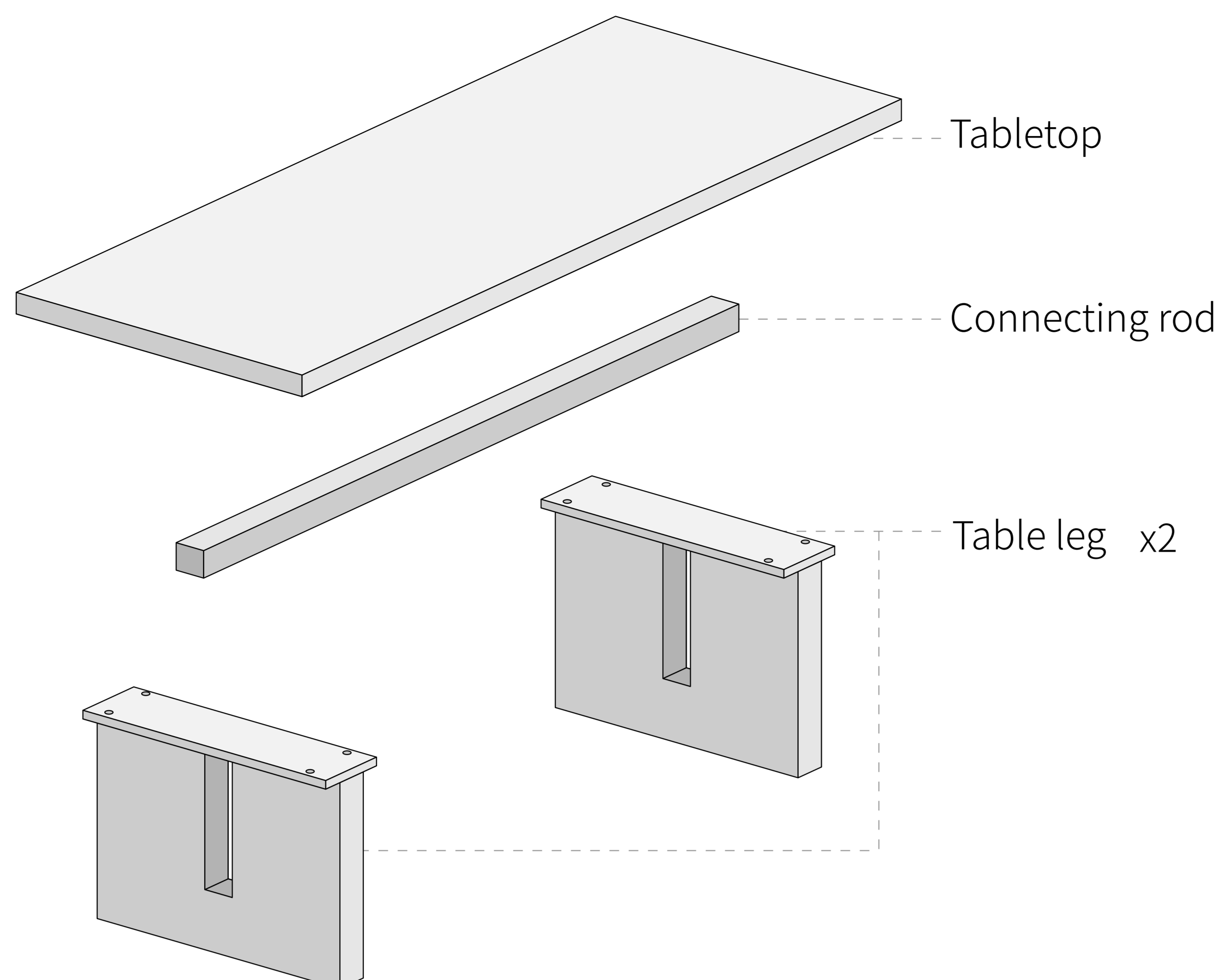


WOODEN TABLE INSTALLATION TUTORIAL

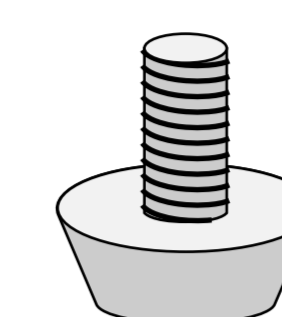
PARTS LIST



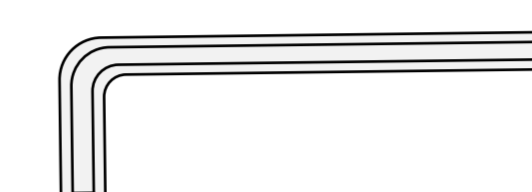
Screw x8



Gasket x8



Non-slip rubber pad x4

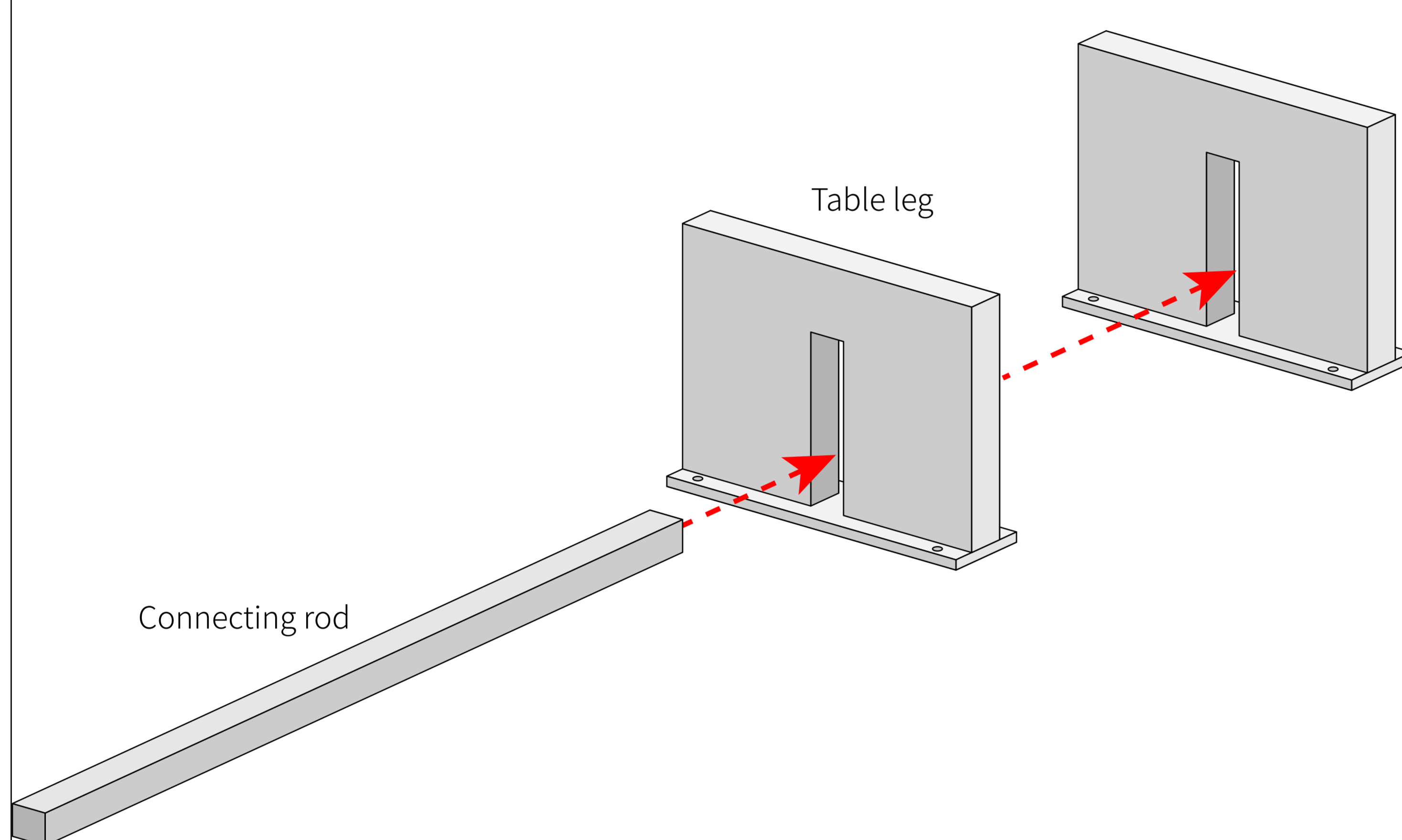


Hex key

The extra parts are for spare

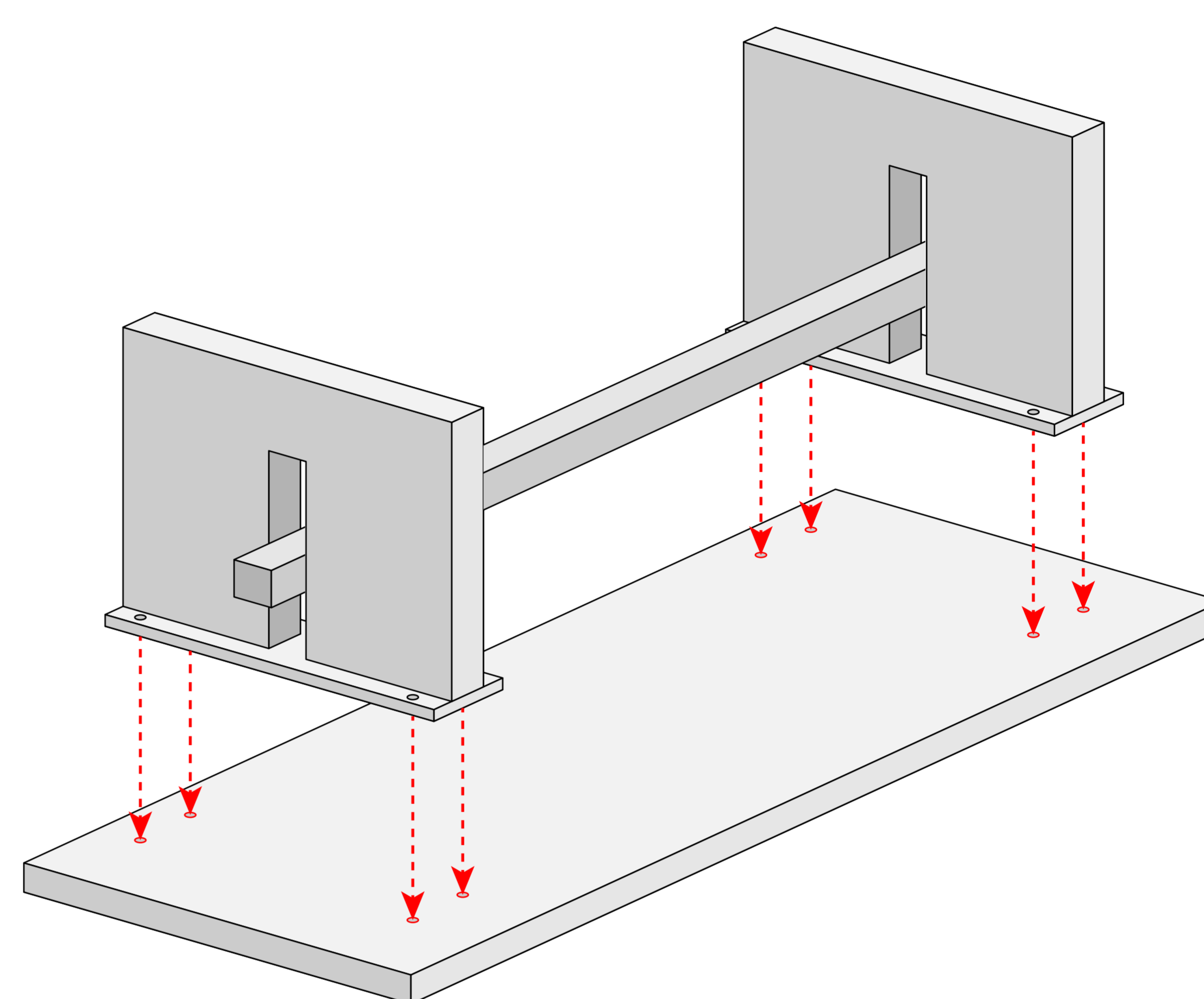
STEP 1

Pass the "connecting rod" through the hole in the middle of the "table leg"



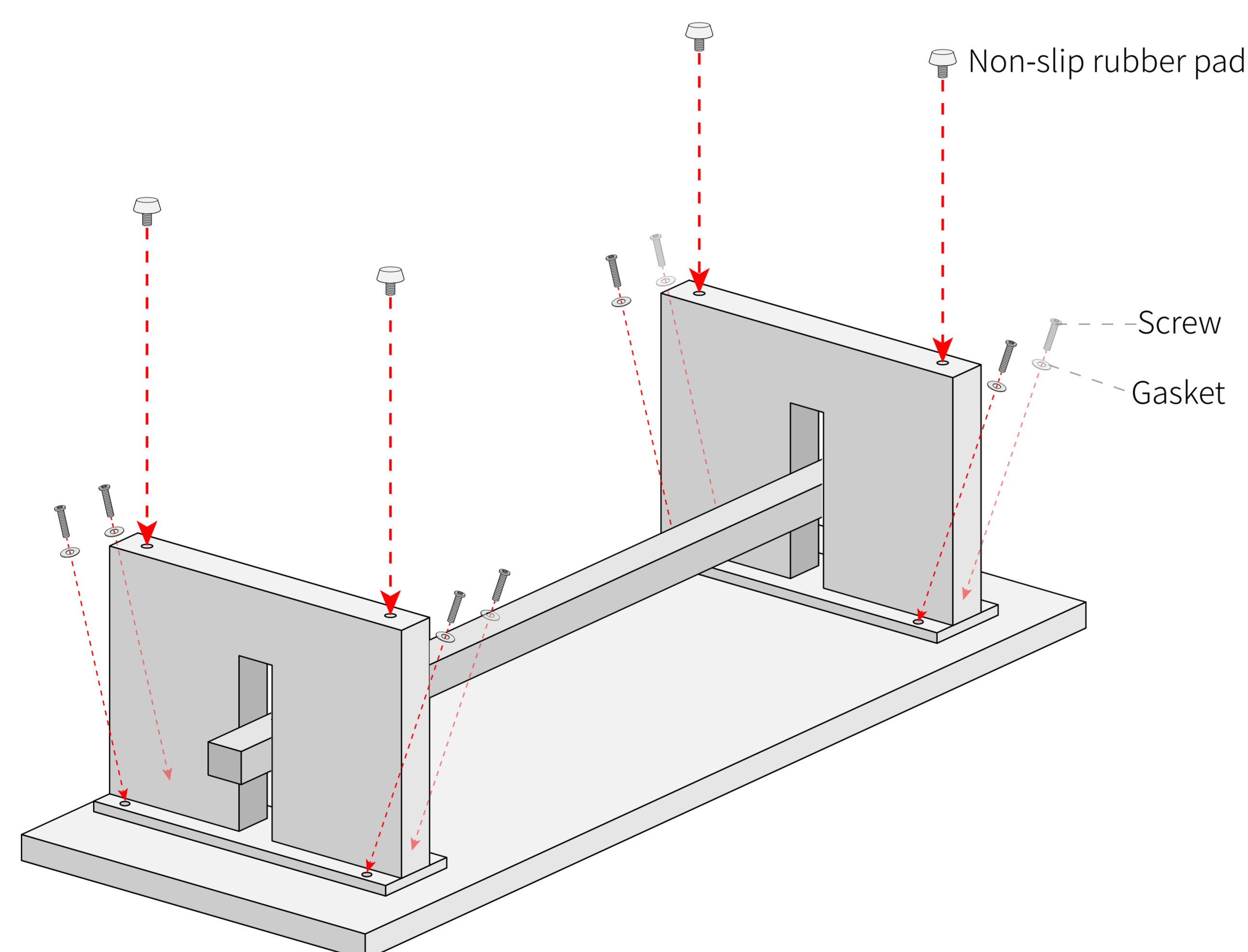
STEP 2

Place the "Table leg" on the back of the "Tabletop", aligned with the holes

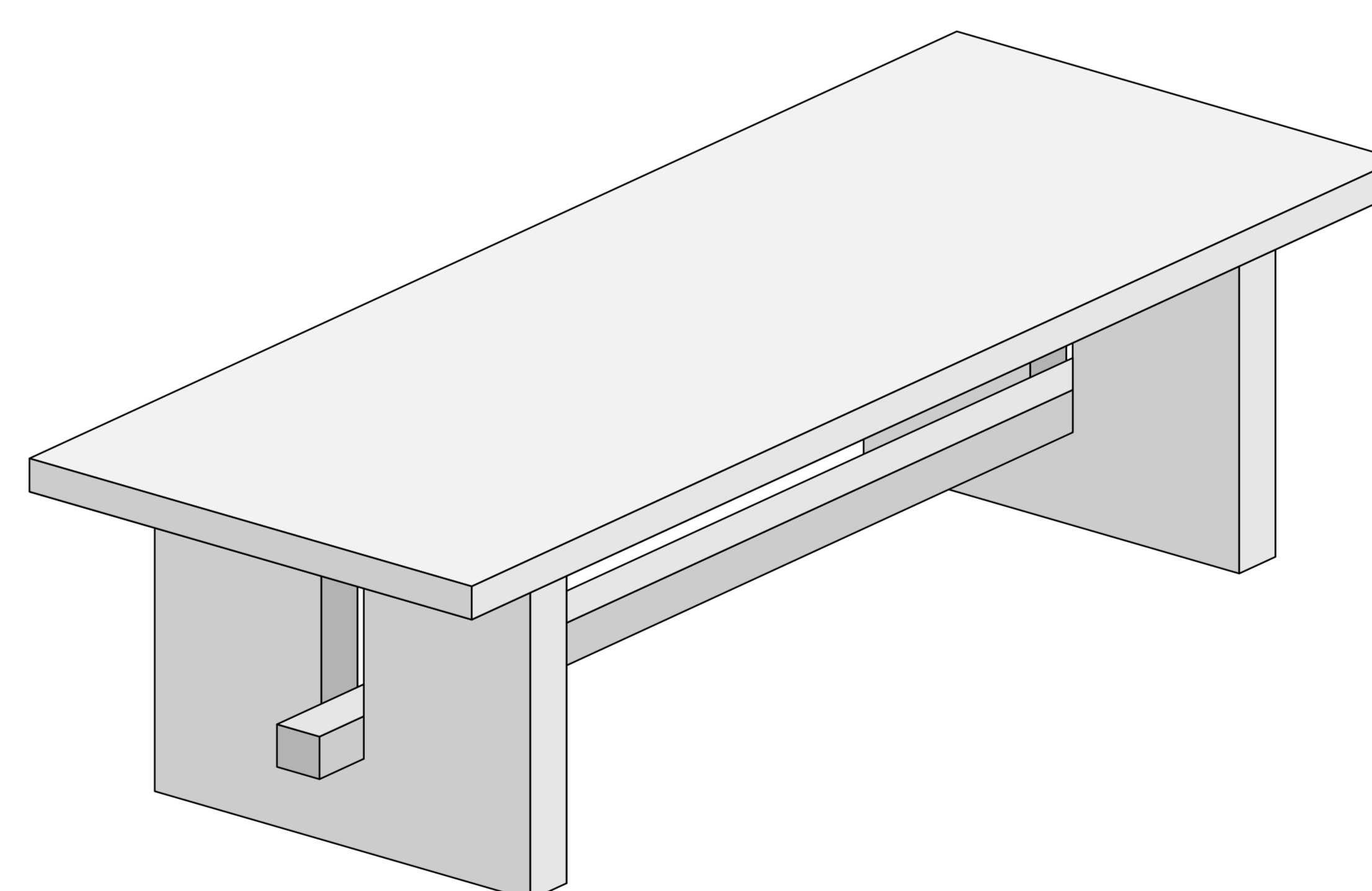


STEP 3

Use "screws" and "gaskets" to secure the "Table leg", each "Table leg" needs four "screws"
Install two "Adjustable foot pads" on each "Table leg"



Installation complete



MAINTENANCE OF FURNITURE

Solid wood furniture is derived from nature and requires proper maintenance methods

1. Avoid prolonged exposure to strong sunlight
2. Avoid placing it at the air conditioning outlet or near the heater, at least 1.5 meters apart
3. Keep the indoor dry humidity stable, do not dry today wet tomorrow
4. Do not contact high-temperature items directly
5. The water stains on the surface of the furniture should be dried as soon as possible
6. Do not place any corrosive objects on the surface
(such as alcohol/aromatherapy/nail polish remover/soft rubber and other products)