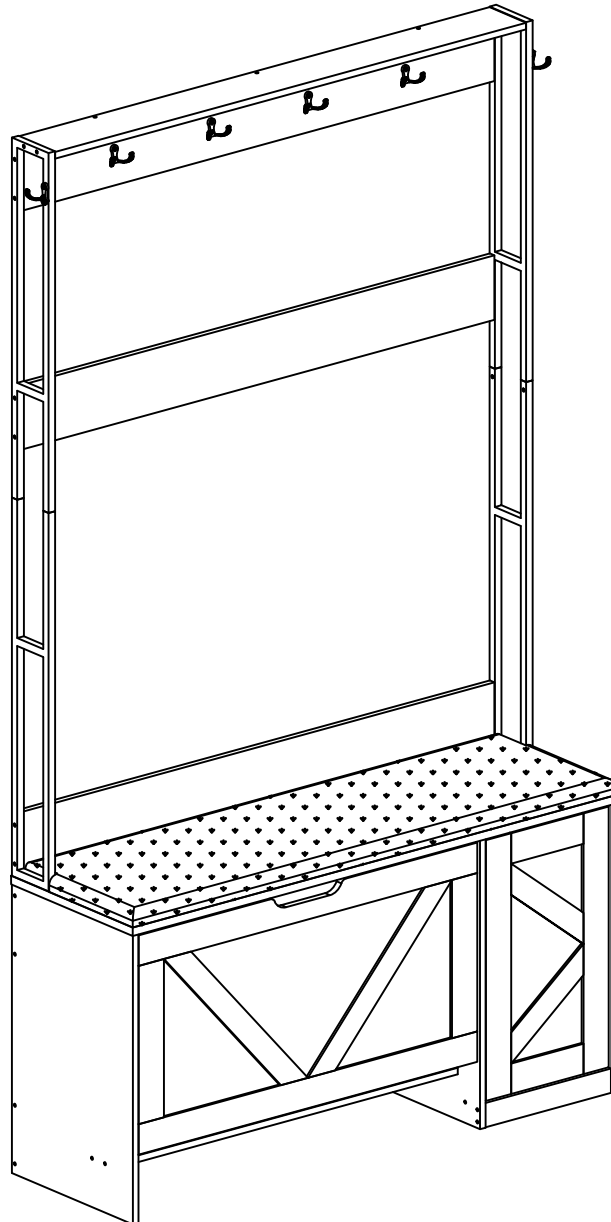


Shoe Storage Cabinet with Coat Rack

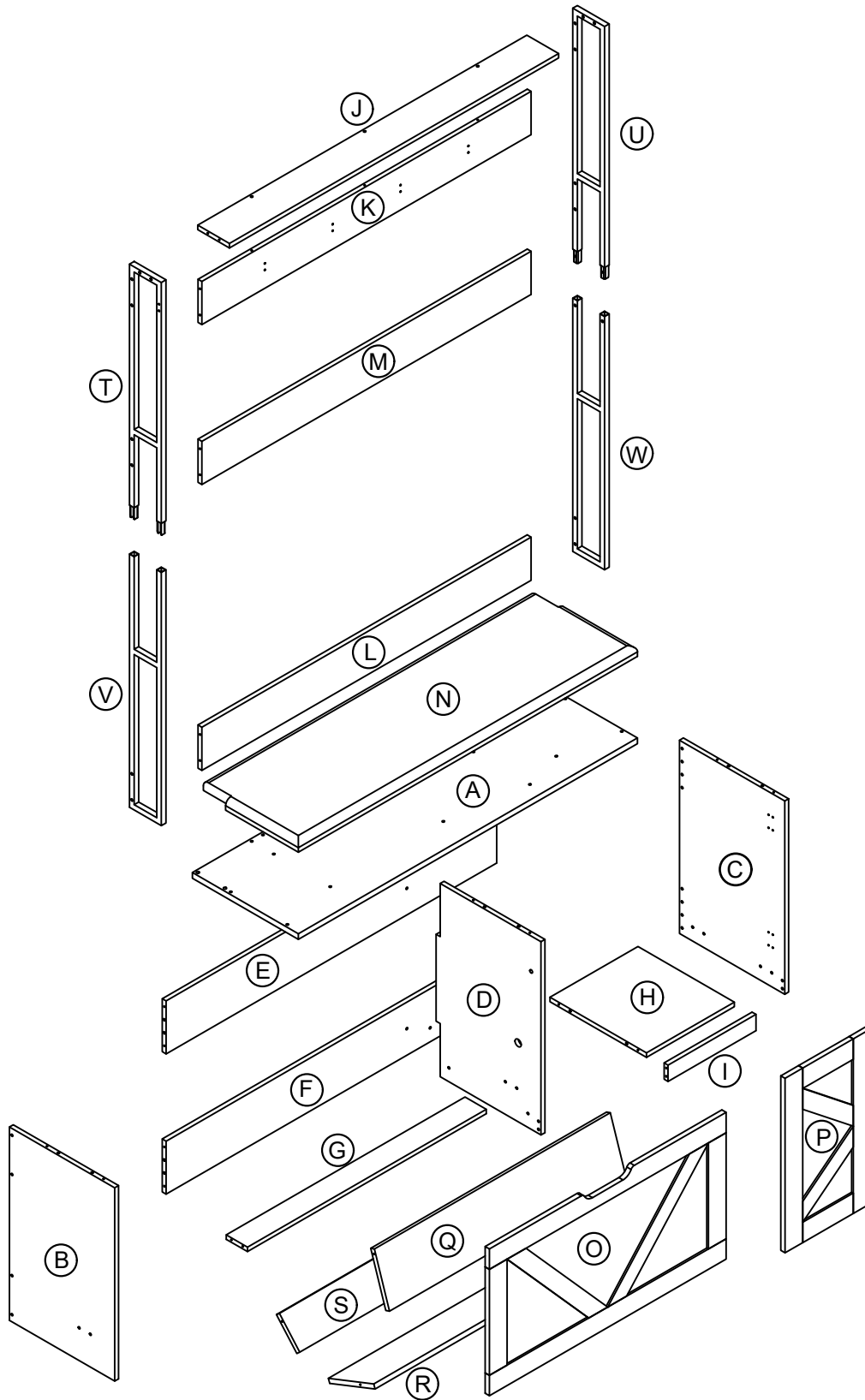
INSTRUCTION



 Part of the steps suggest
two people install

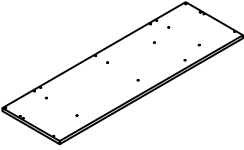
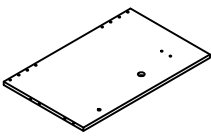
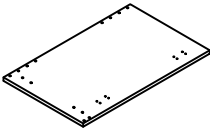
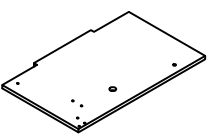
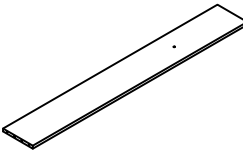
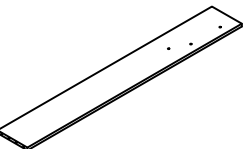
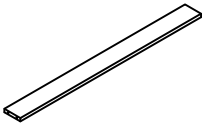
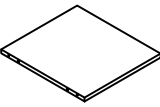

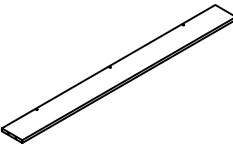
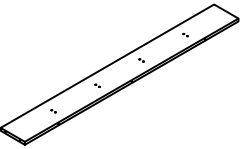
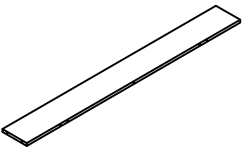
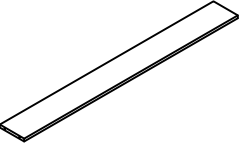
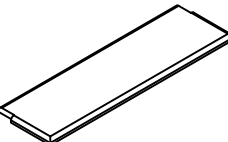
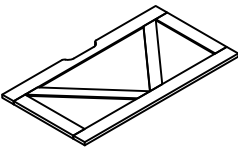
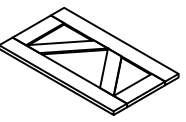
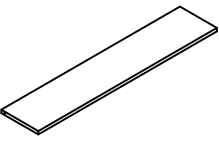
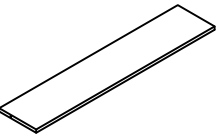
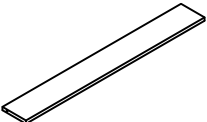
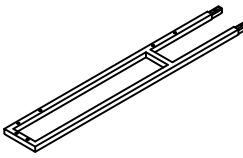
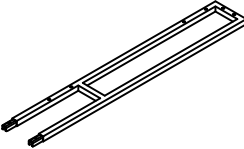
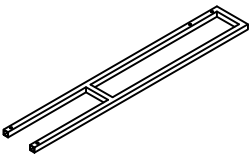
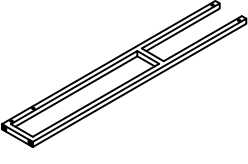
Main Components

Please check you have all the parts listed below



Component Panels & Part List

Please check you have all the panels are listed below.

<p>Ⓐ</p>  <p>Qty1</p>	<p>Ⓑ</p>  <p>Qty1</p>	<p>Ⓒ</p>  <p>Qty1</p>	<p>Ⓓ</p>  <p>Qty1</p>	<p>Ⓔ</p>  <p>Qty1</p>
<p>Ⓕ</p>  <p>Qty1</p>	<p>Ⓖ</p>  <p>Qty1</p>	<p>Ⓗ</p>  <p>Qty1</p>	<p>Ⓘ</p>  <p>Qty1</p>	<p>Ⓙ</p>  <p>Qty1</p>
<p>Ⓚ</p>  <p>Qty1</p>	<p>Ⓛ</p>  <p>Qty1</p>	<p>Ⓜ</p>  <p>Qty1</p>	<p>Ⓝ</p>  <p>Qty1</p>	<p>Ⓞ</p>  <p>Qty1</p>
<p>Ⓟ</p>  <p>Qty1</p>	<p>Ⓠ</p>  <p>Qty1</p>	<p>Ⓡ</p>  <p>Qty1</p>	<p>Ⓢ</p>  <p>Qty1</p>	<p>Ⓣ</p>  <p>Qty1</p>
<p>Ⓤ</p>  <p>Qty1</p>	<p>Ⓡ</p>  <p>Qty1</p>	<p>Ⓦ</p>  <p>Qty1</p>		

Fixings, Fittings And Tools

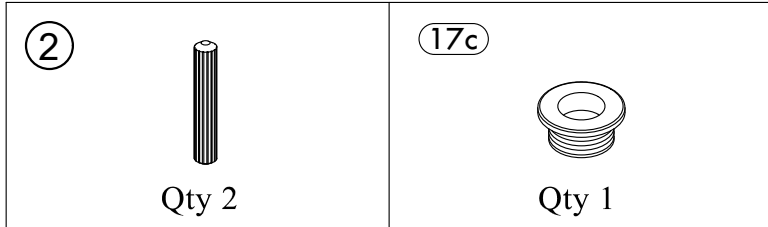
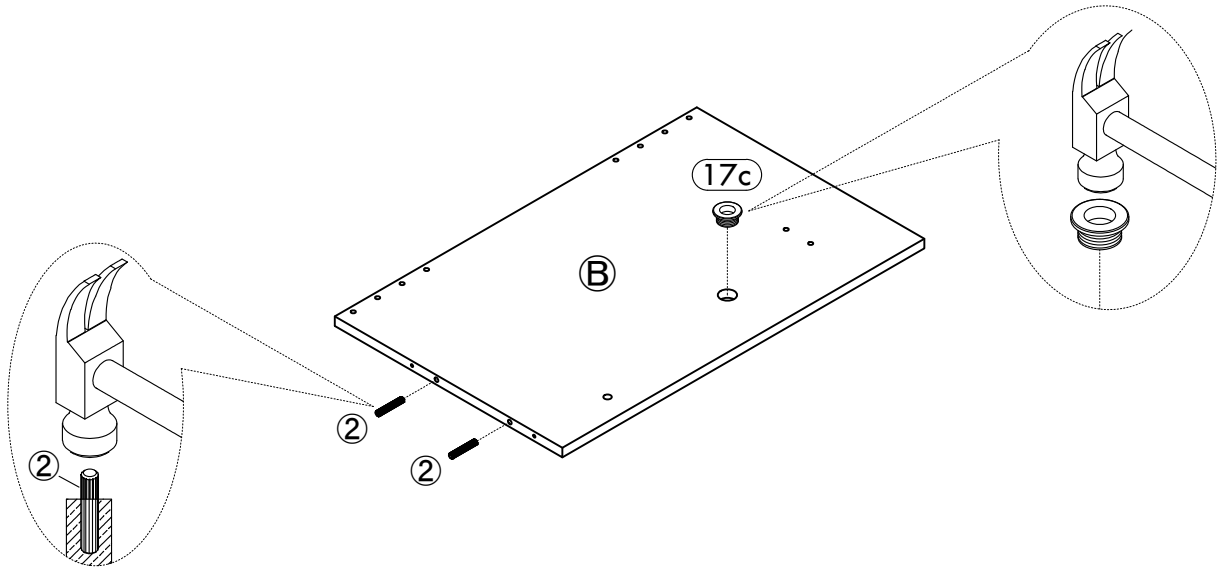
Please check all the fittings listed below

Note: The quantities below are the correct amount to complete the assembly. In some case more fittings may be supplied than be required.

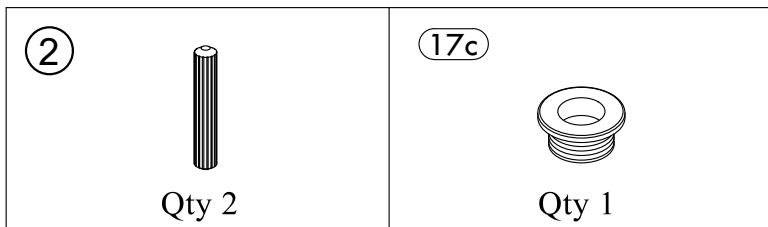
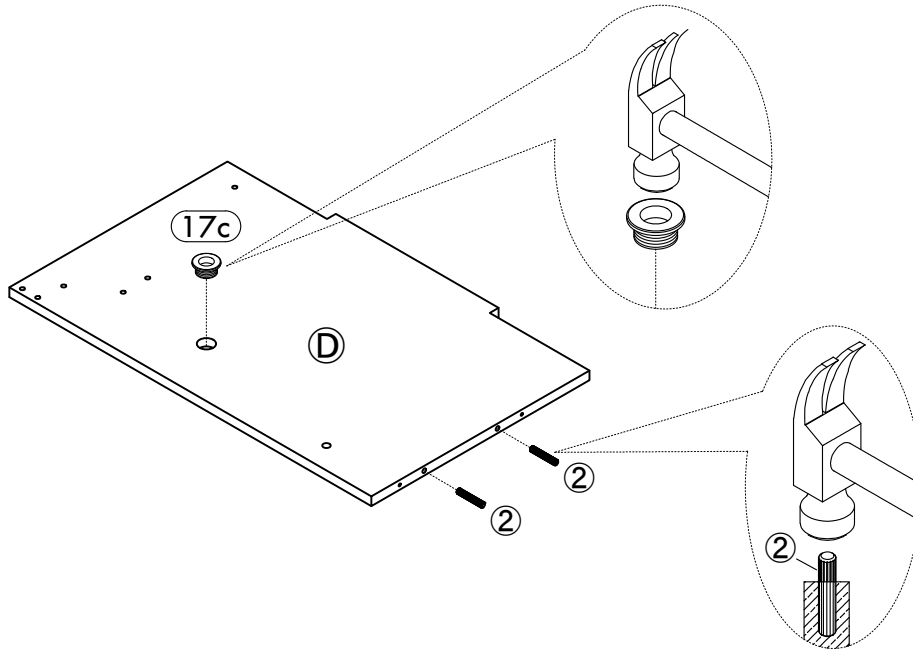
 <p>1 Ø4*38mm Qty52+1</p>	 <p>2 Ø5*30mm Qty20+1</p>	 <p>3 Ø4*12mm Qty12</p>	 <p>4 Ø4*8mm Qty2</p>
 <p>5 Ø4*14mm Qty6</p>	 <p>6 Ø3.5*15mm Qty14+1</p>	 <p>7 Ø3.5*11mm Qty2+1</p>	 <p>8 Ø4*20mm Qty6</p>
 <p>9 M4*8mm Qty4</p>	 <p>10 M3*10mm Qty4</p>	 <p>11 1/4"*25mm Qty4</p>	 <p>12 M4*21*57mm Qty1</p>
 <p>13 Ø12*3.9mm Qty18+1</p>	 <p>14 Qty1 Set</p>	 <p>15 Qty6</p>	 <p>16 Ø26mm Qty2 Sets</p>
 <p>17a 17b</p> <p>17 Qty1 Set</p>	 <p>17c 17d 17e</p>		

Assembly Step

Step 1

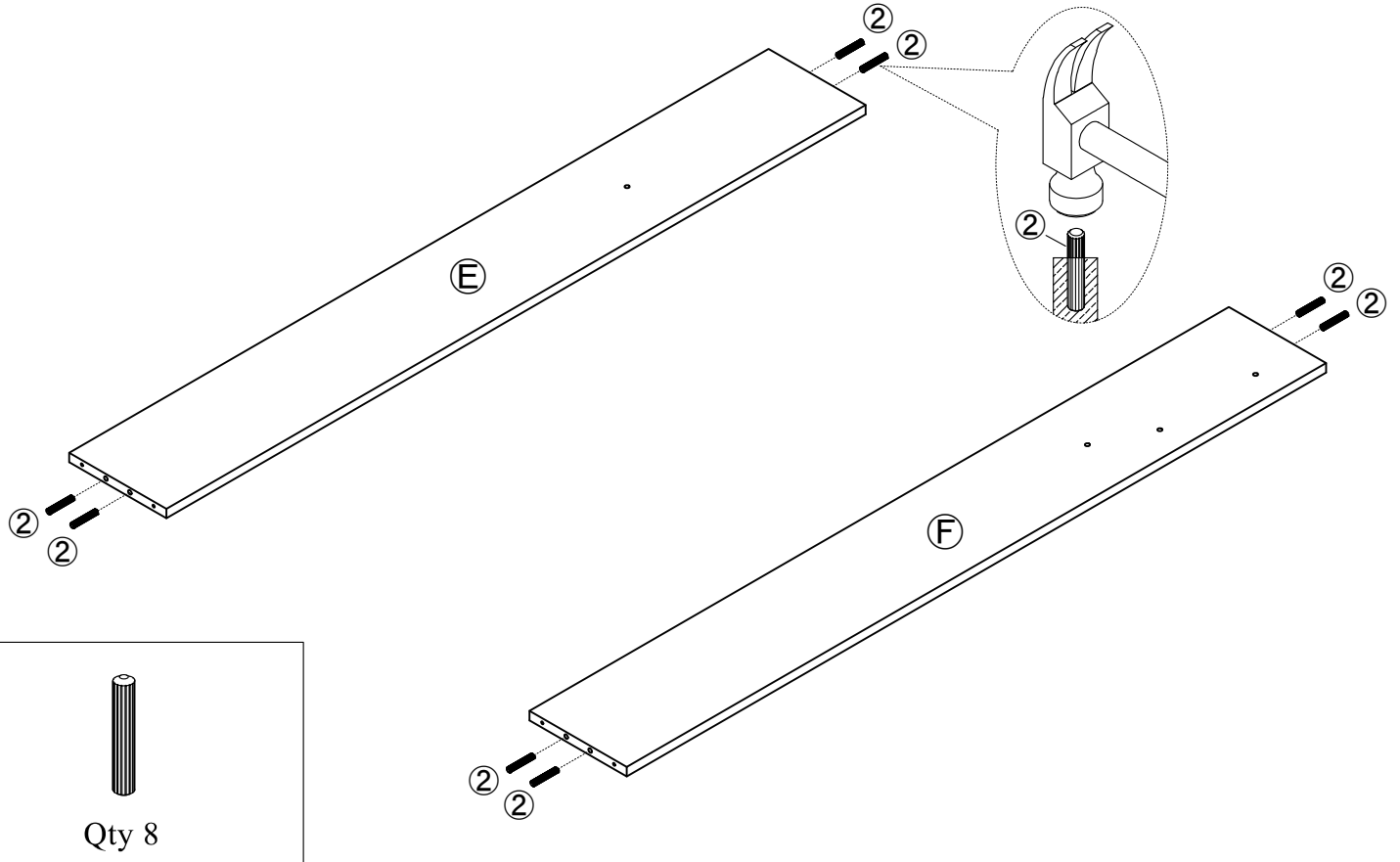


Step 2

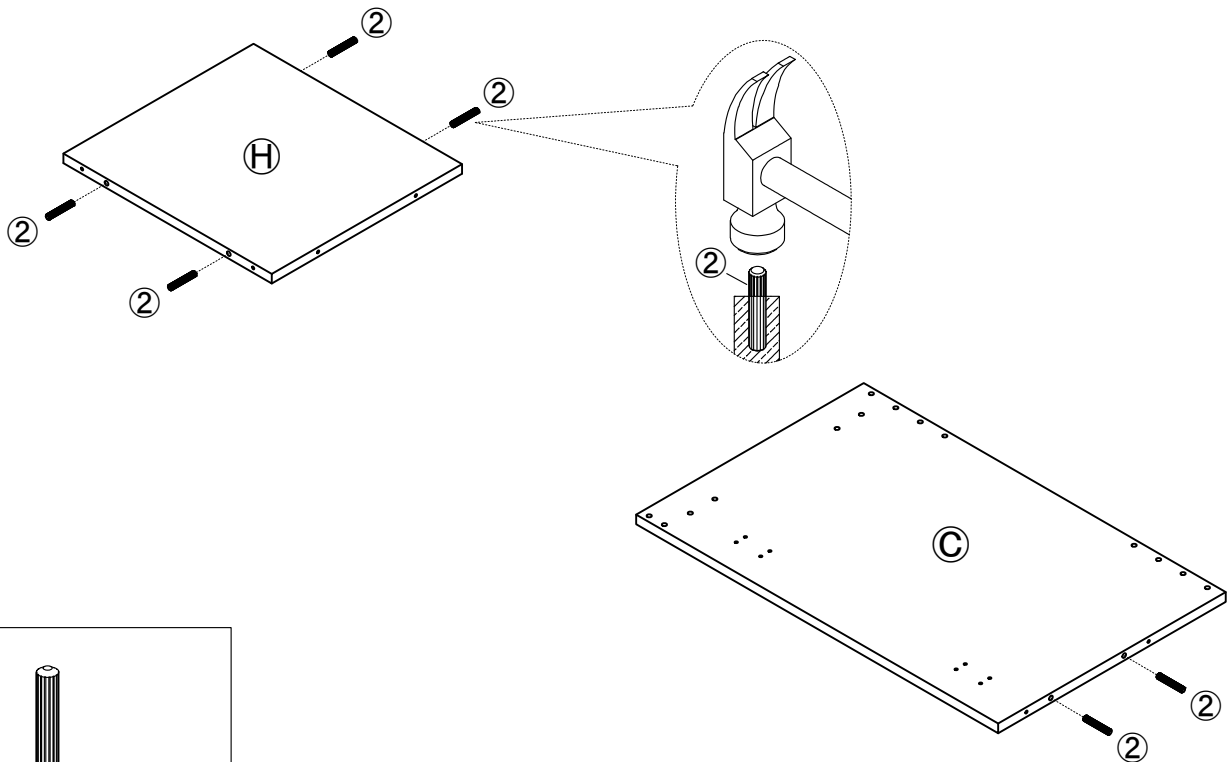


Assembly Step

Step 3

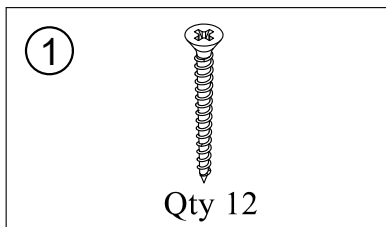
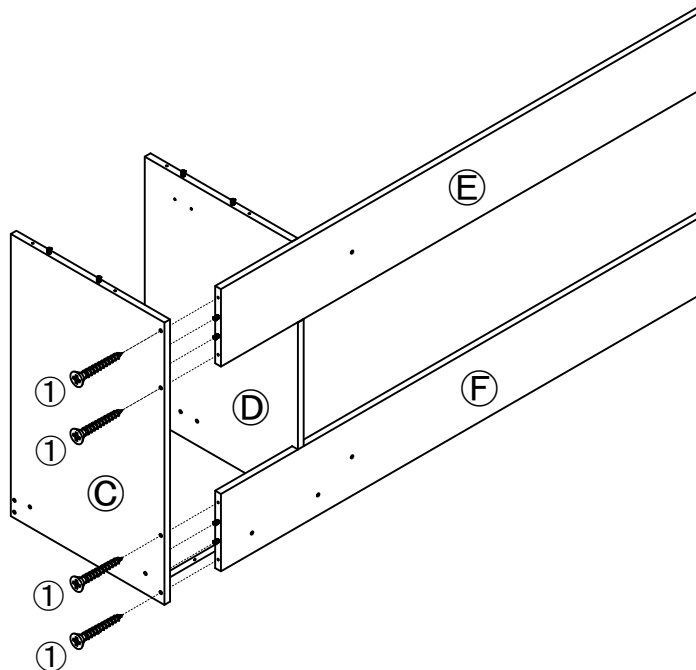
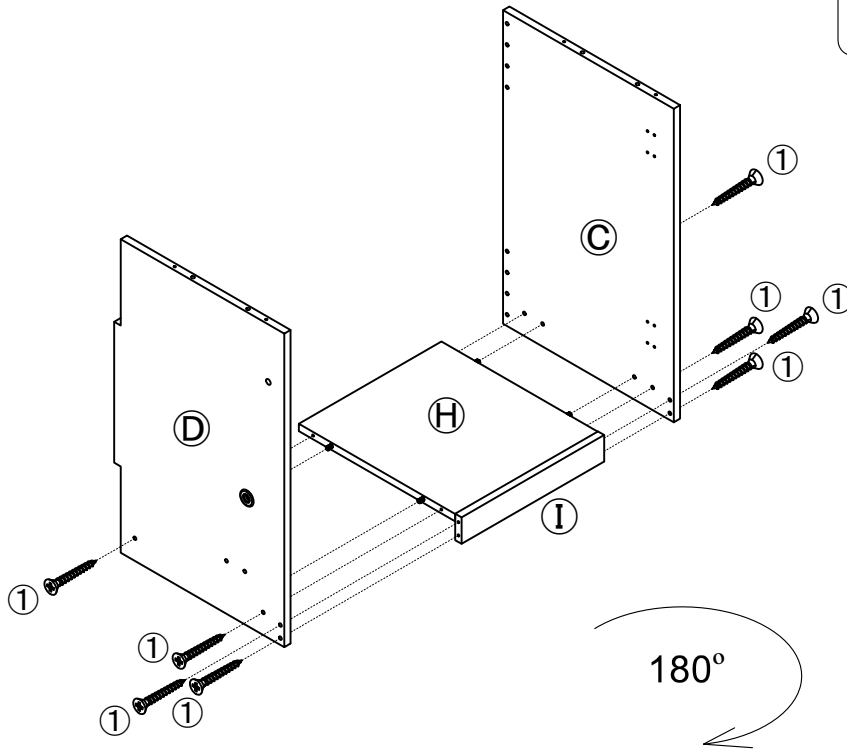
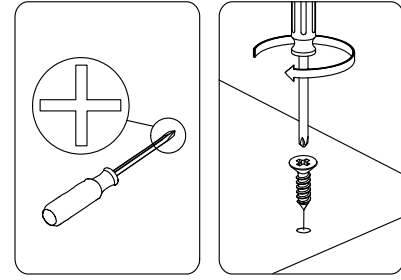


Step 4



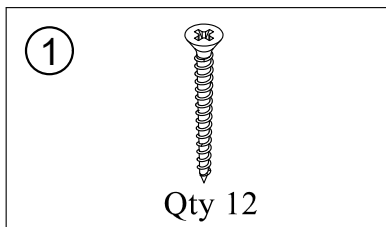
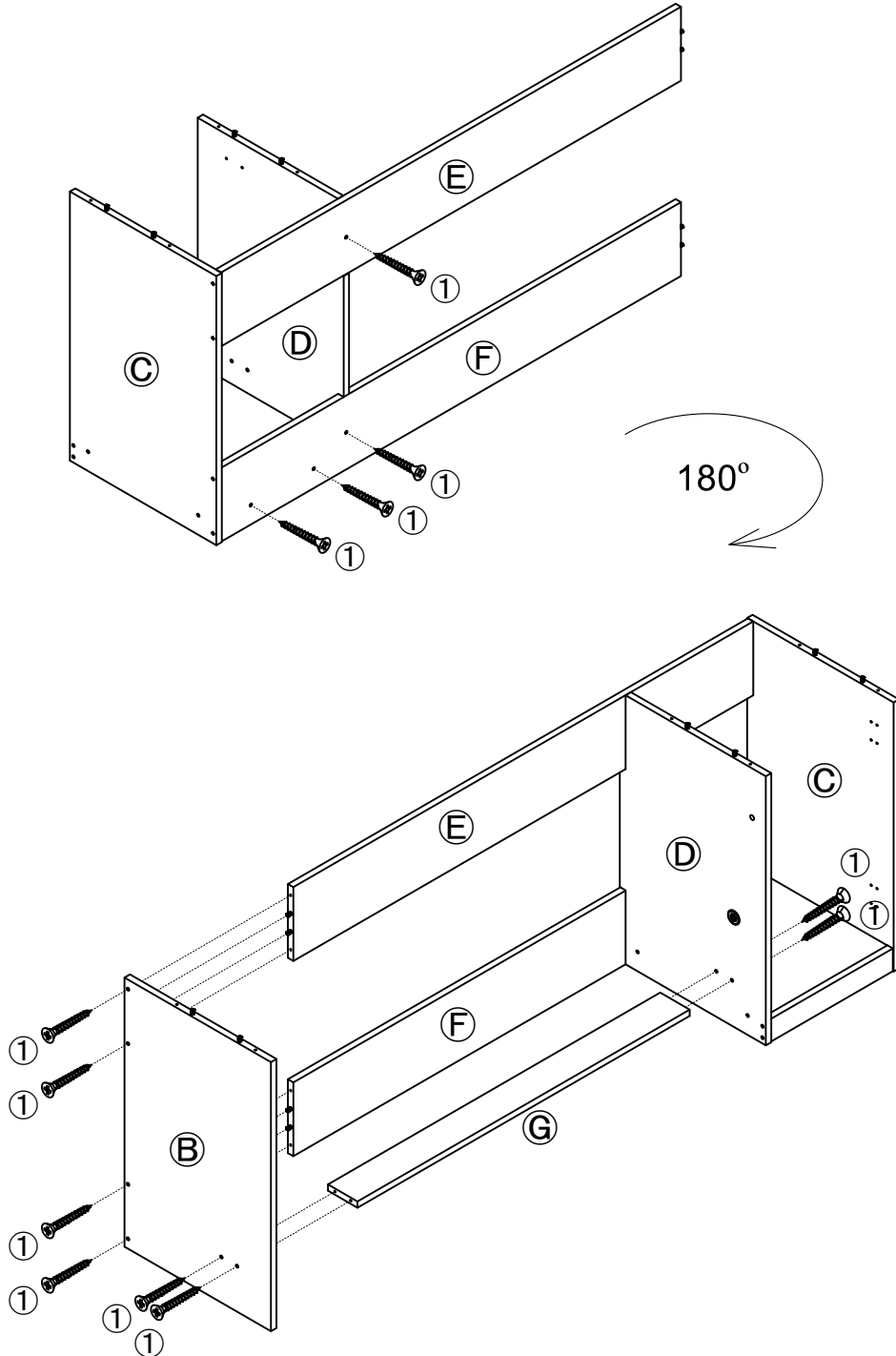
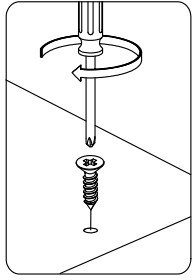
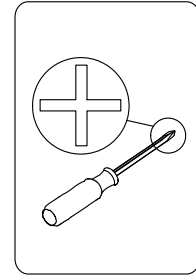
Assembly Step

Step 5



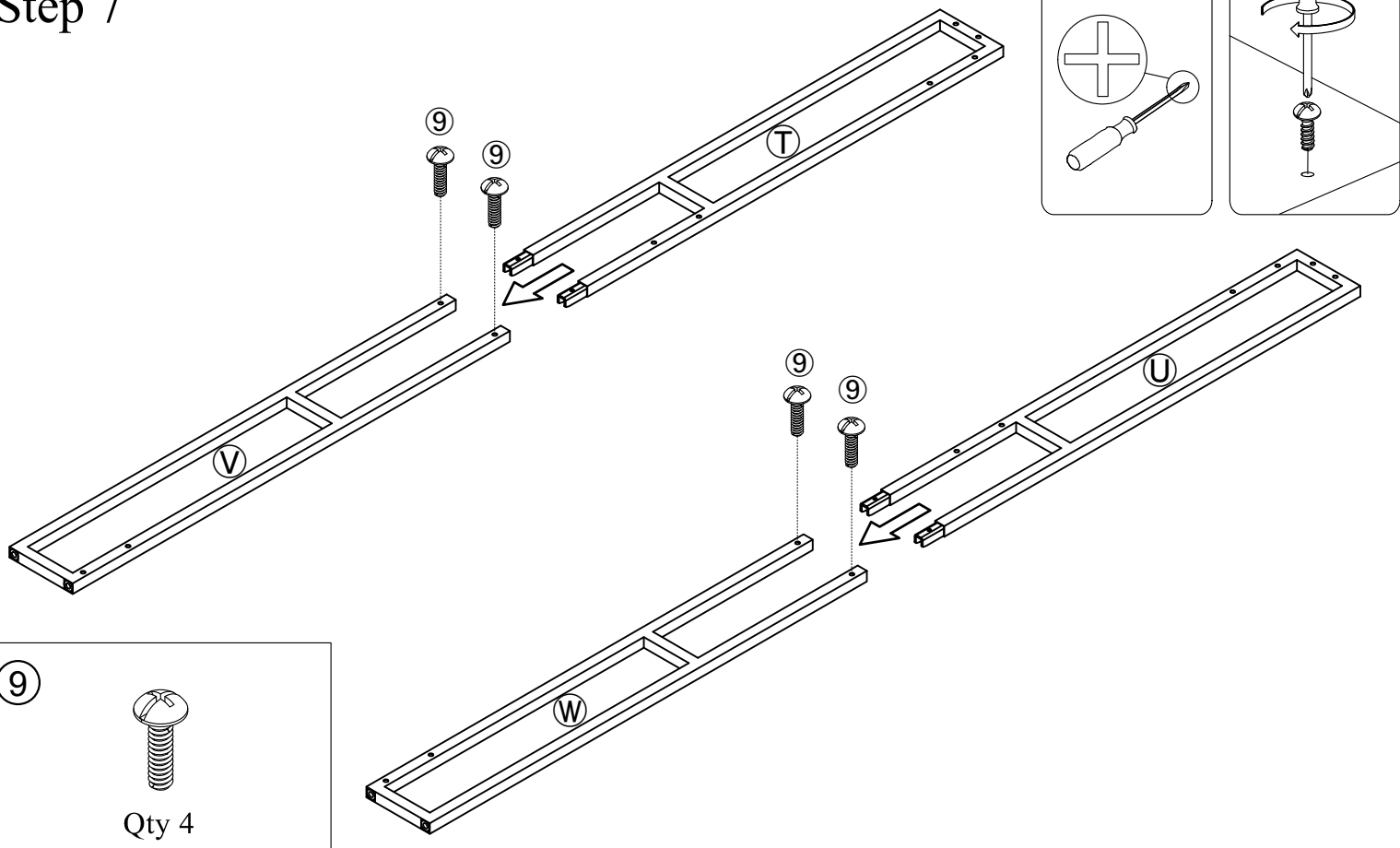
Assembly Step

Step 6

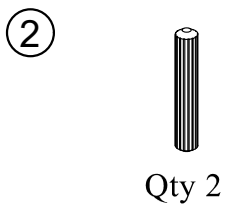
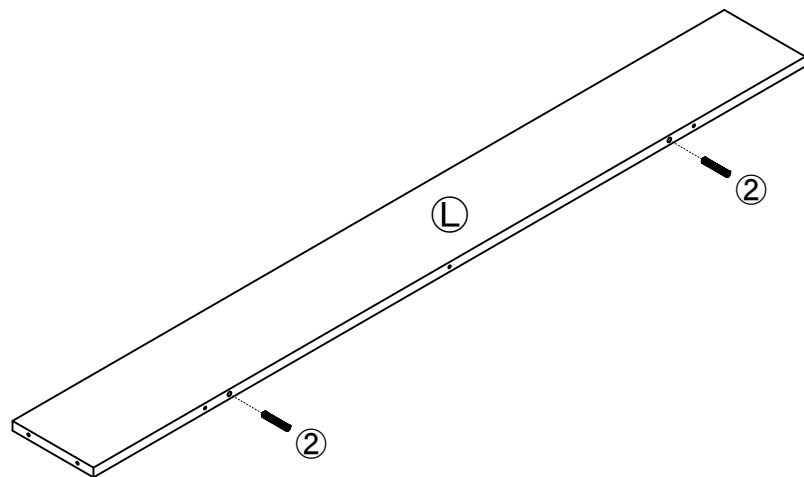


Assembly Step

Step 7

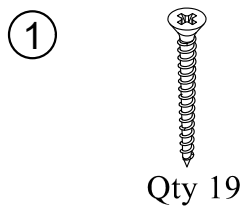
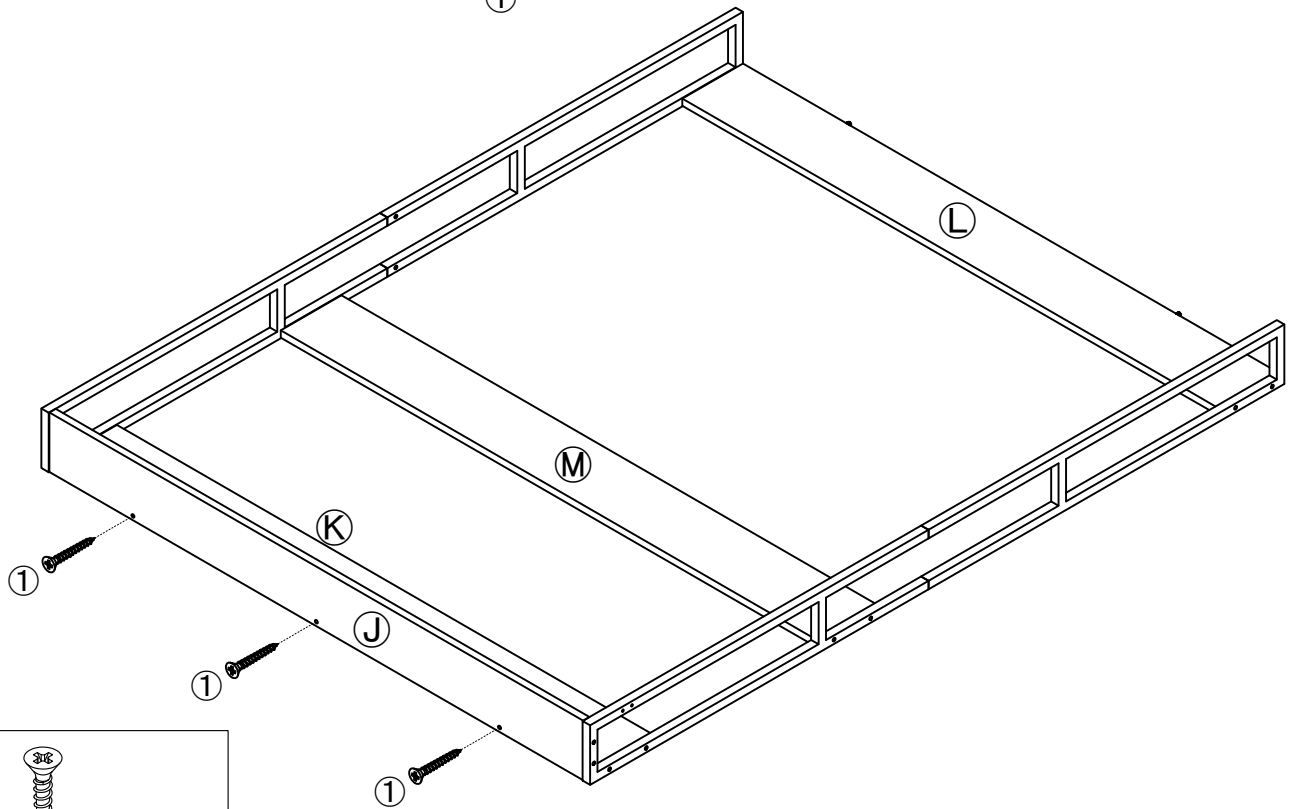
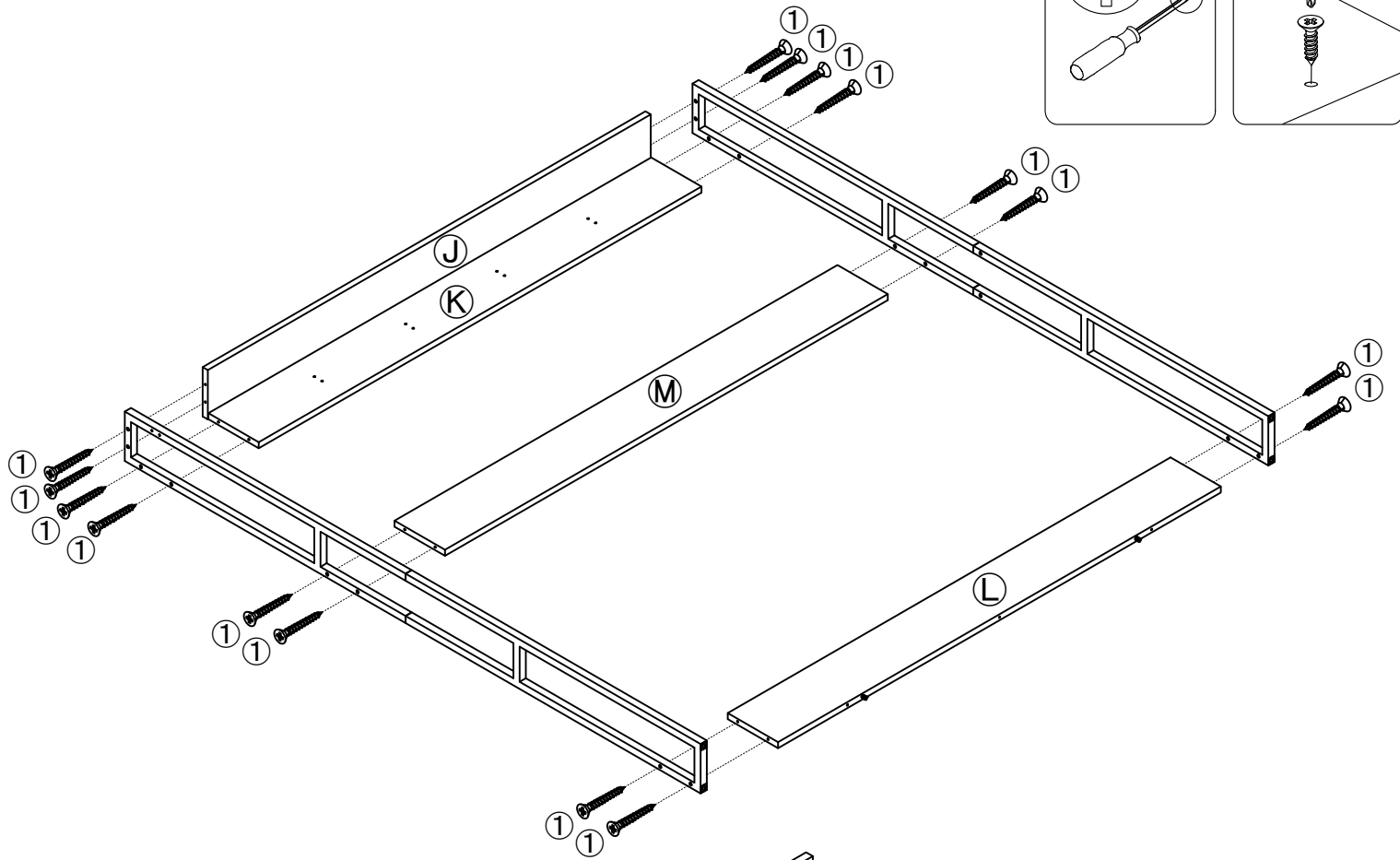


Step 8



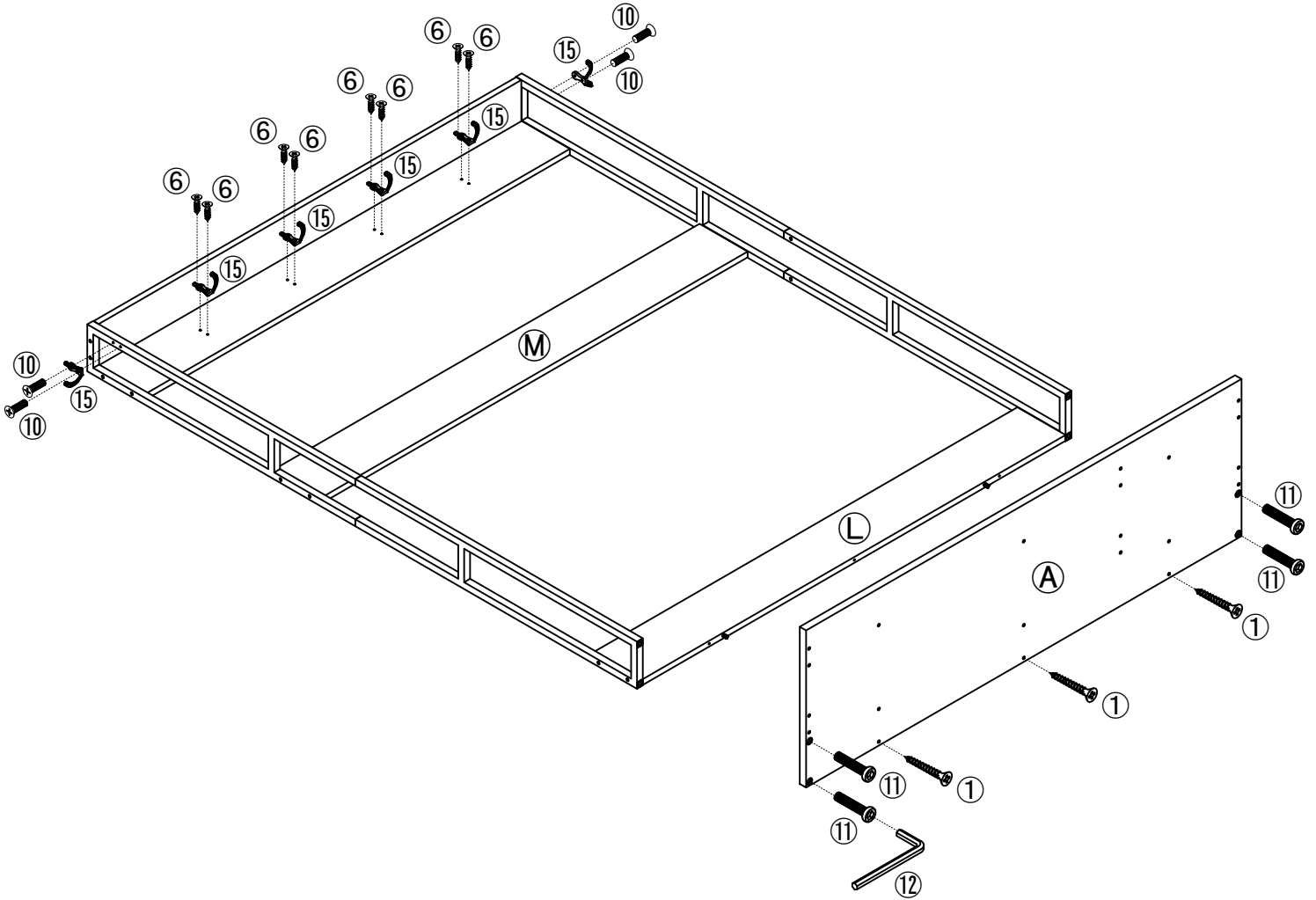
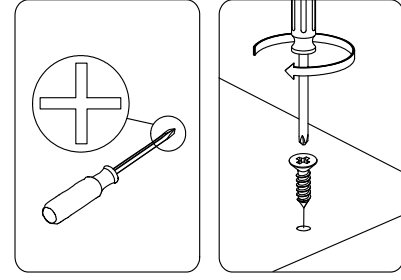
Assembly Step


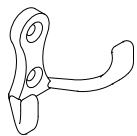
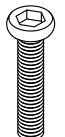
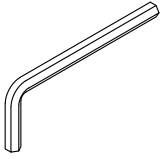

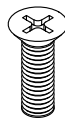
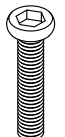
Step 9



Assembly Step

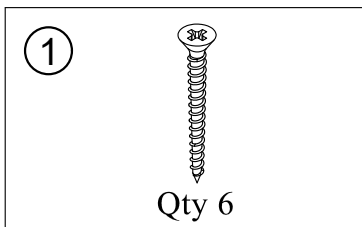
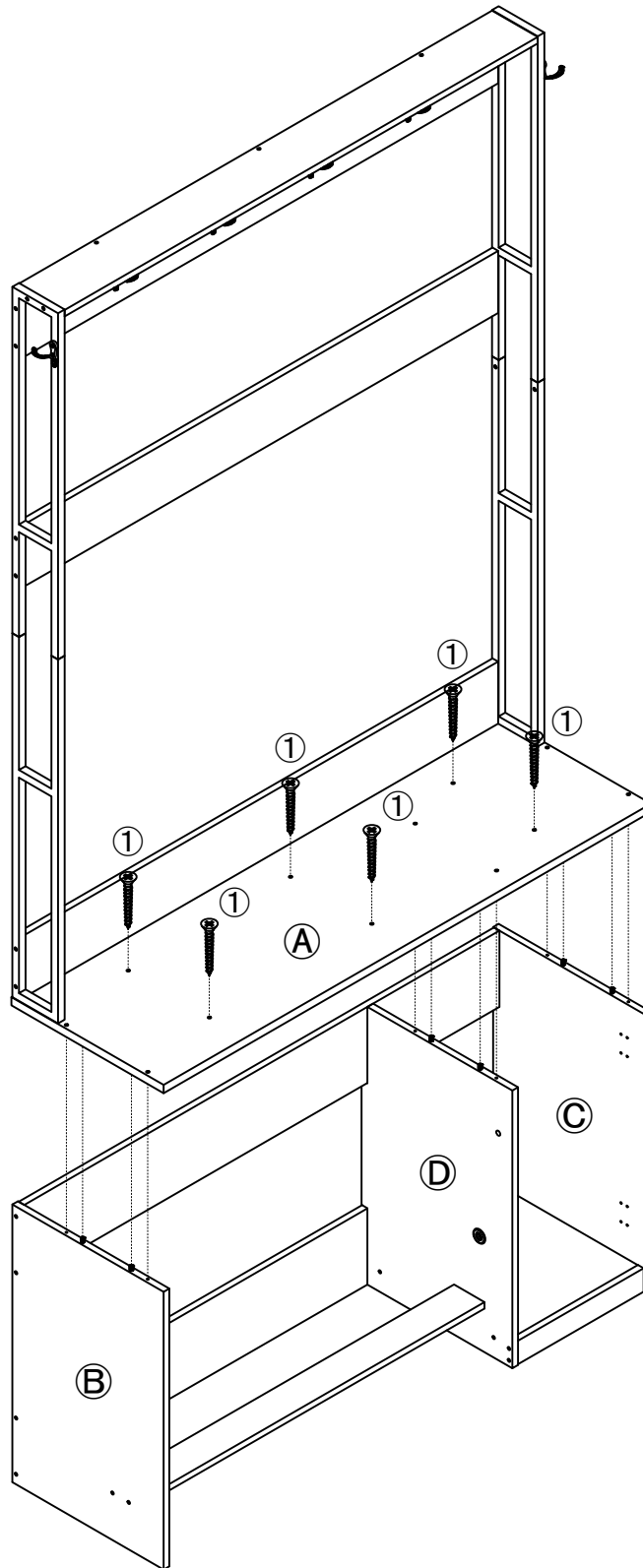
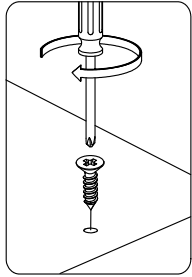
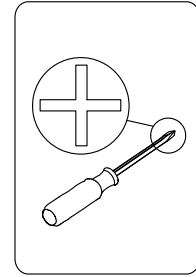
Step 10



<p>6</p>  <p>Qty 8</p>	<p>15</p>  <p>Qty 6</p>	<p>11</p>  <p>Qty 4</p>	<p>12</p>  <p>Qty 1</p>
<p>1</p>  <p>Qty 3</p>	<p>10</p>  <p>Qty 4</p>	<p>11</p>  <p>Qty 4</p>	

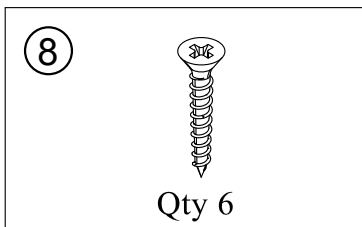
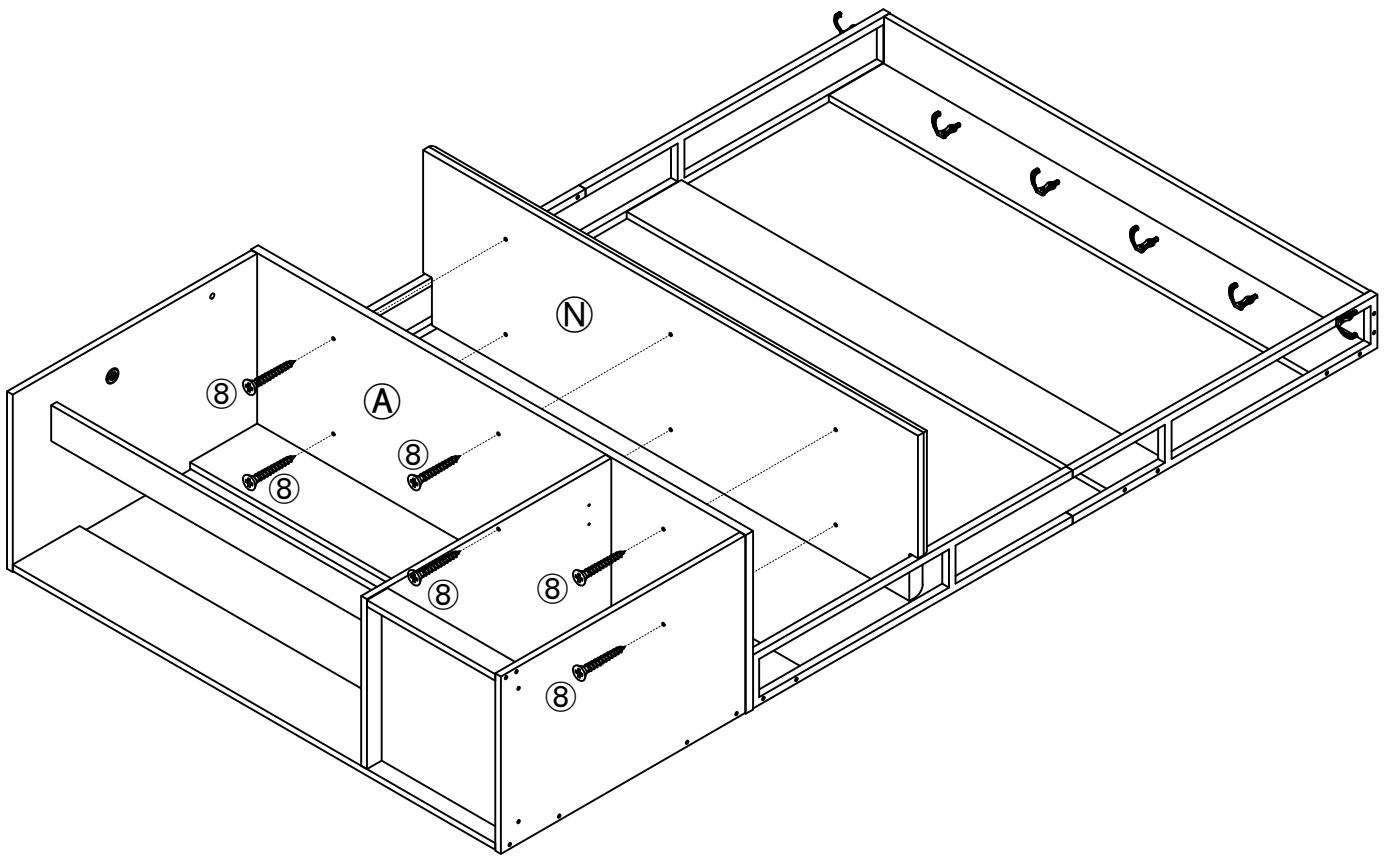
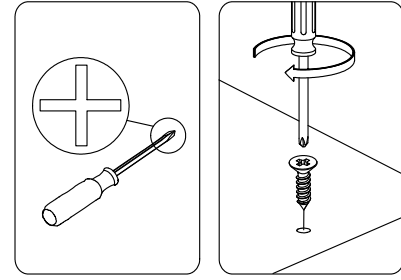
Assembly Step

Step 11



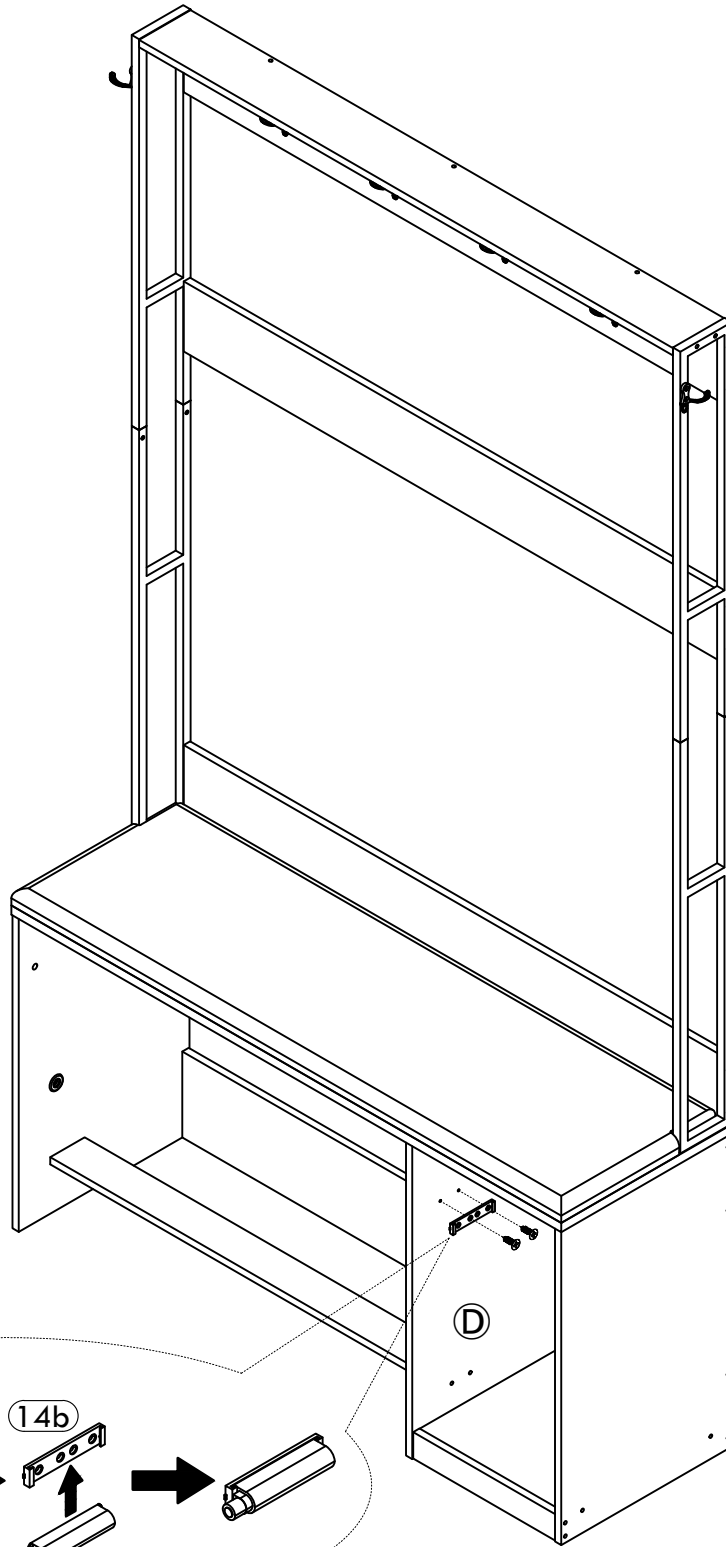
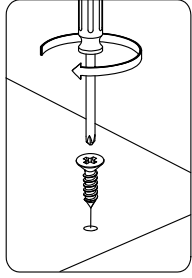
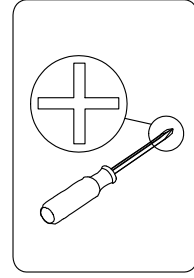
Assembly Step

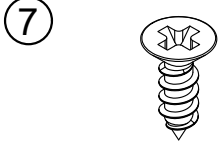
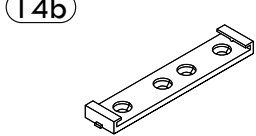
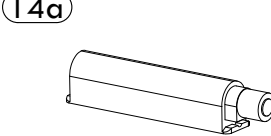
Step 12



Assembly Step

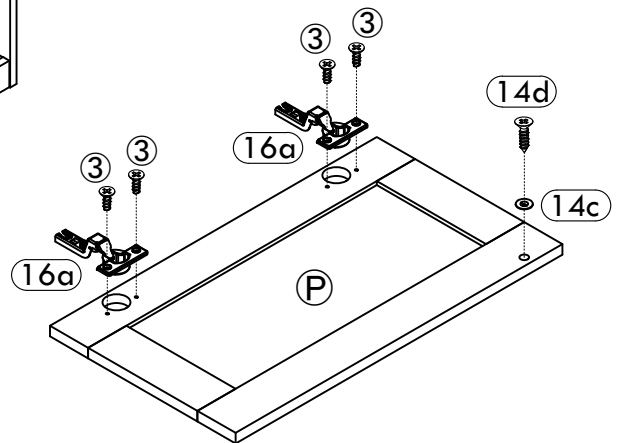
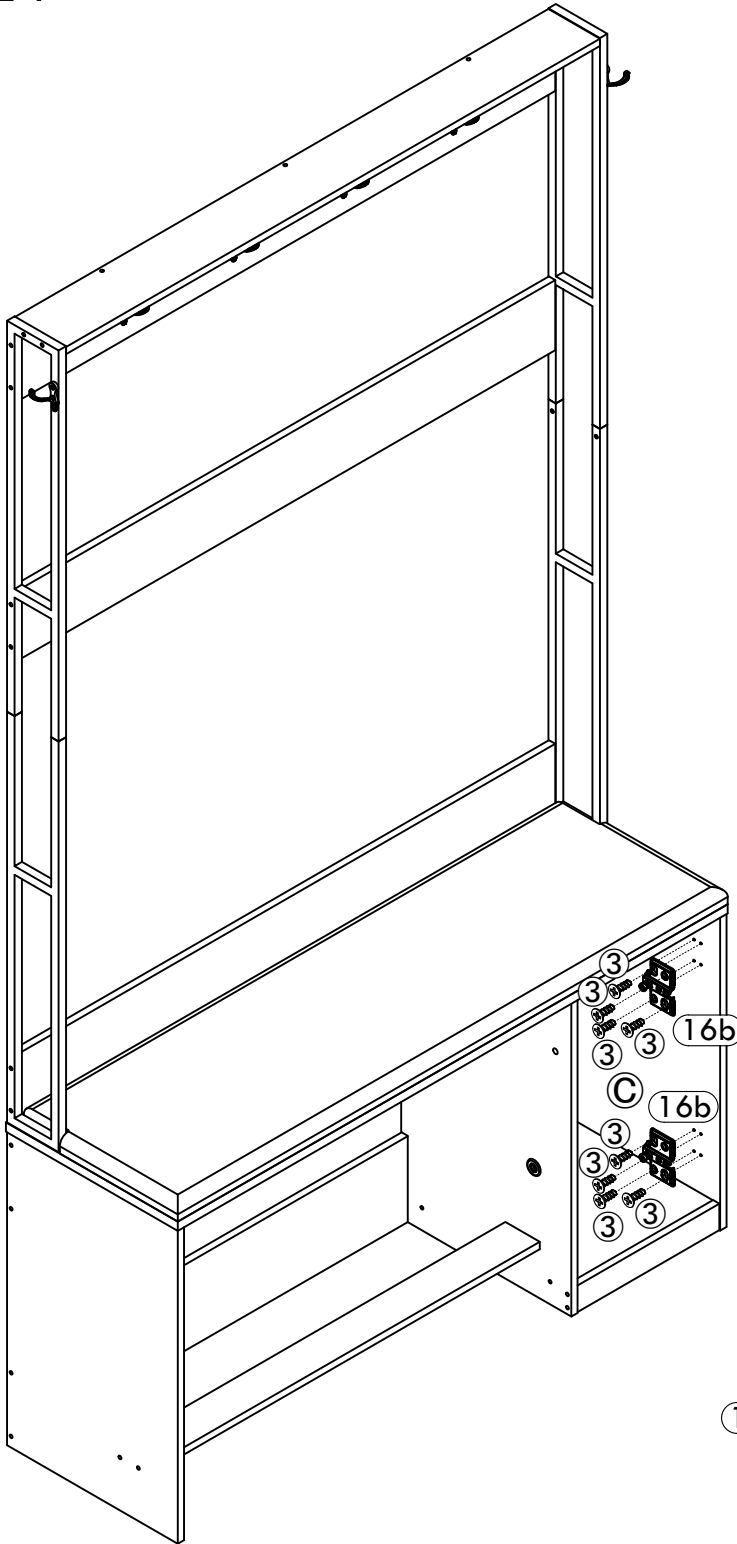
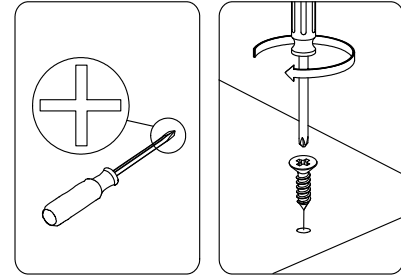
Step 13



 <p>Qty 2</p>	 <p>Qty 1</p>	 <p>Qty 1</p>
---	--	---

Assembly Step

Step 14

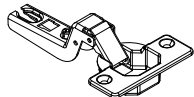


3



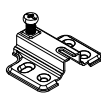
Qty 12

16a



Qty 2

16b



14c



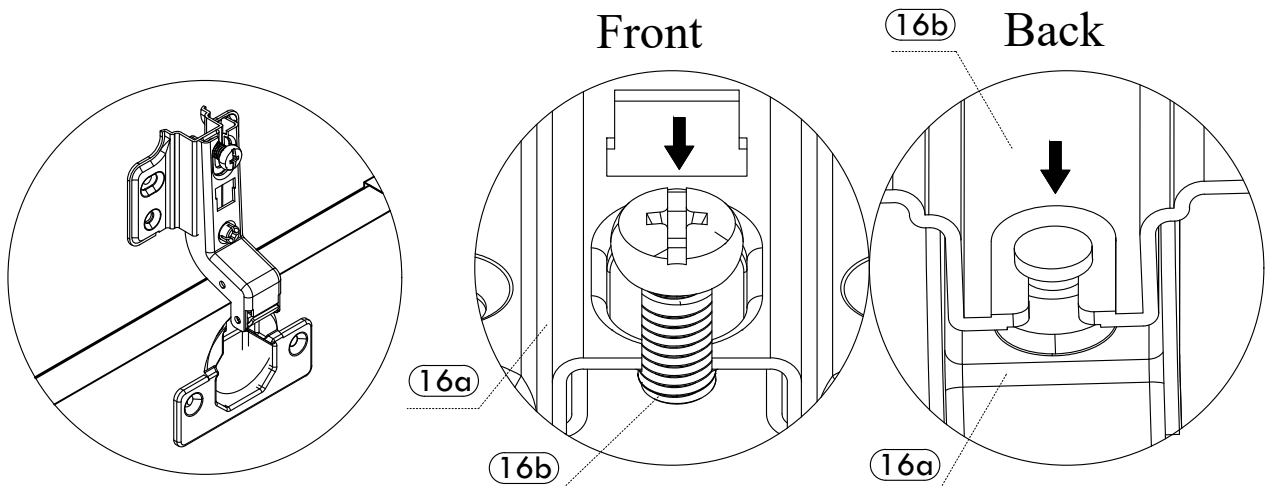
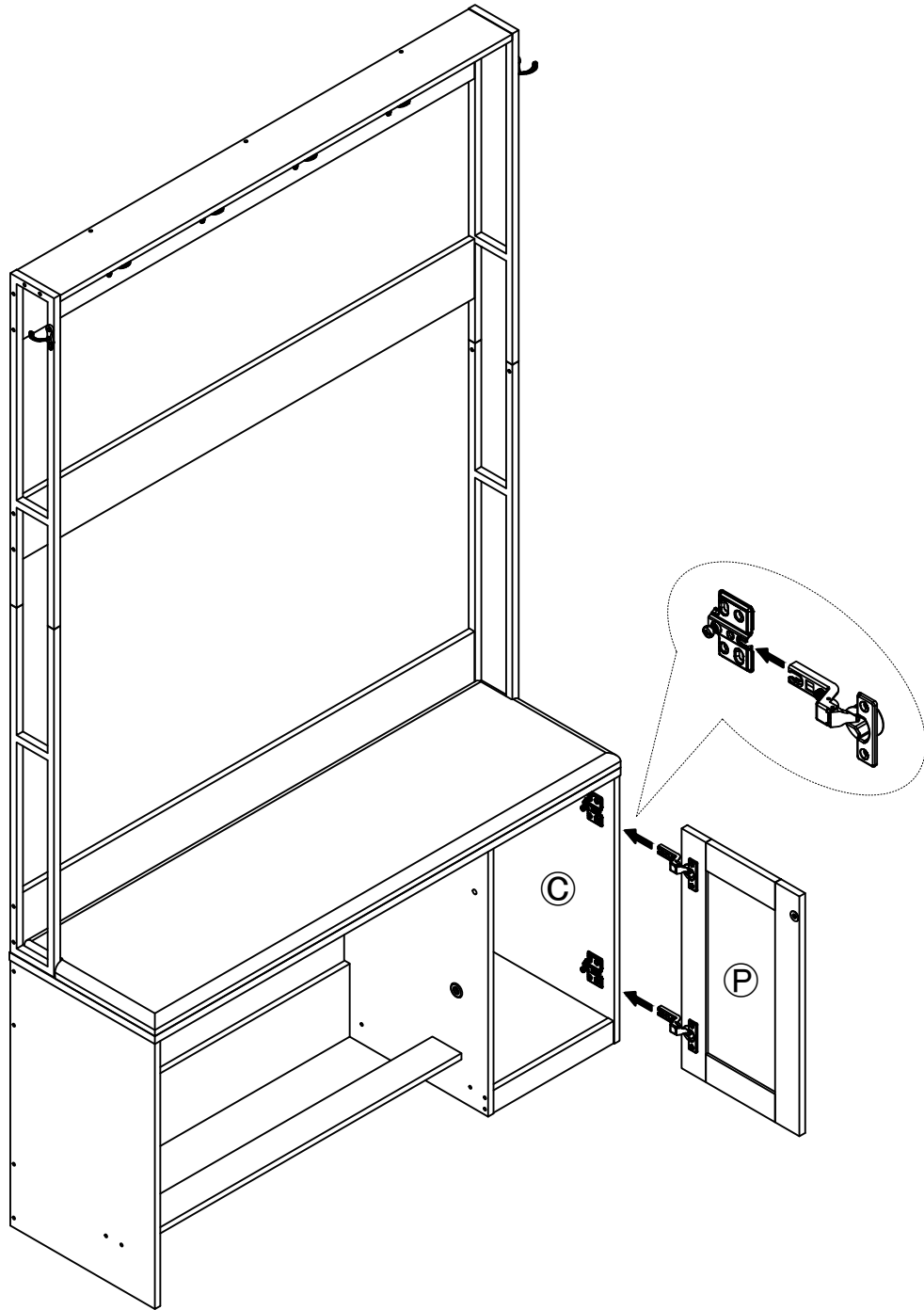
14d



Qty 1

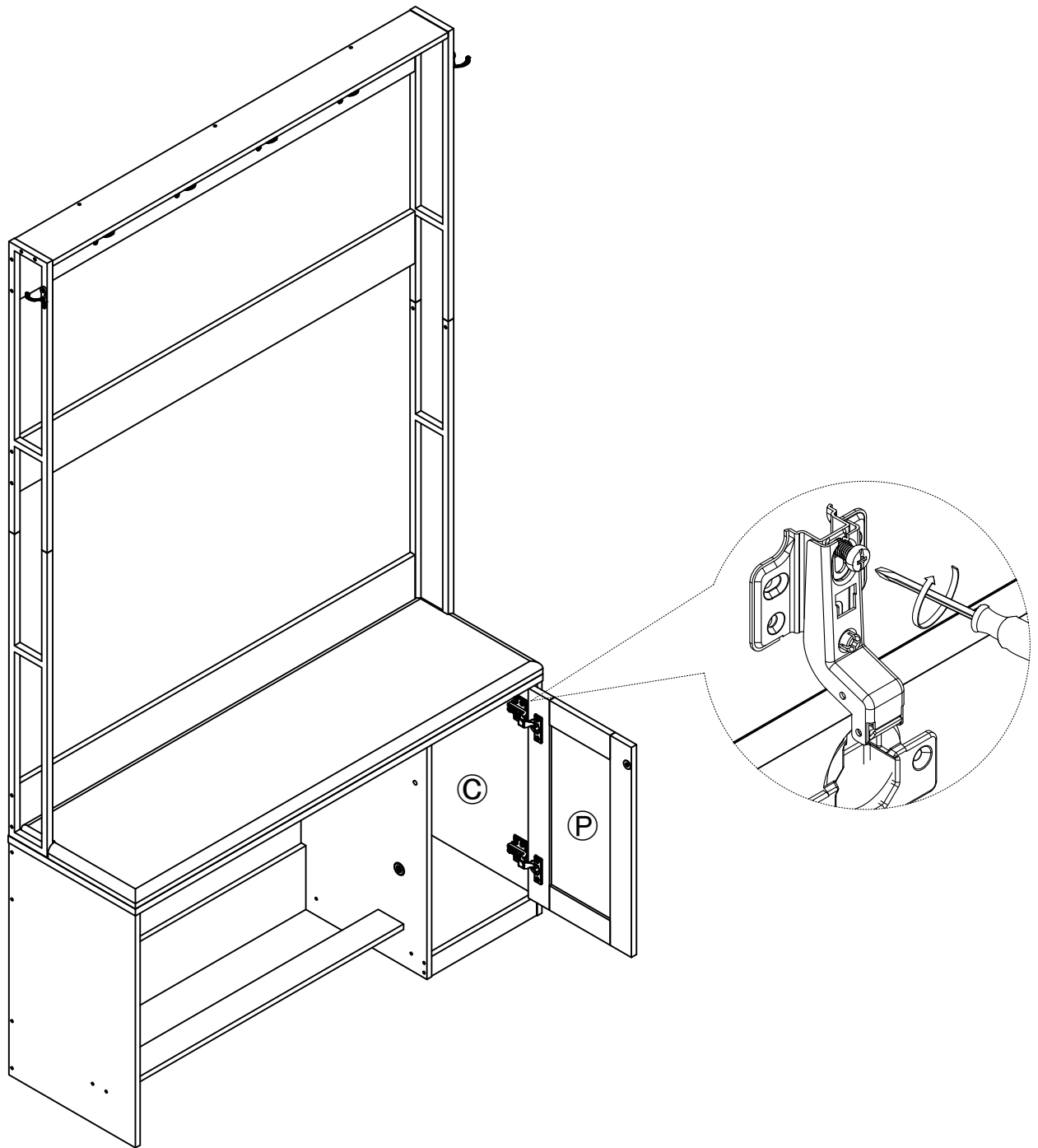
Assembly Step

Step 15

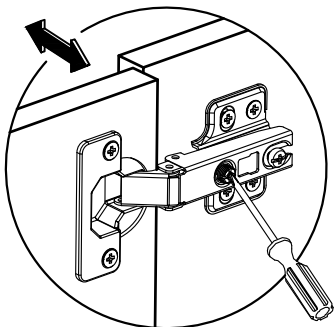


Assembly Step

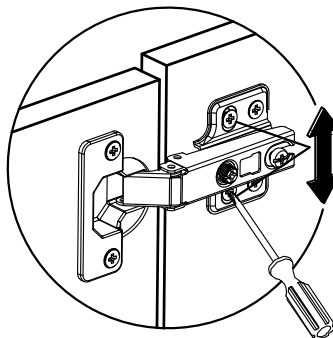
Step 16



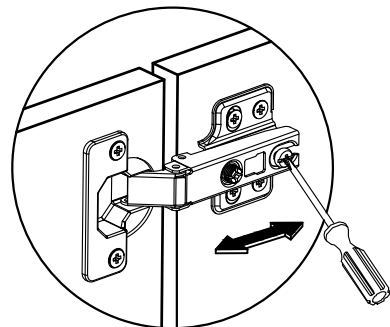
If necessary, adjust hinges to properly align doors as shown below.



Lateral Adjustment



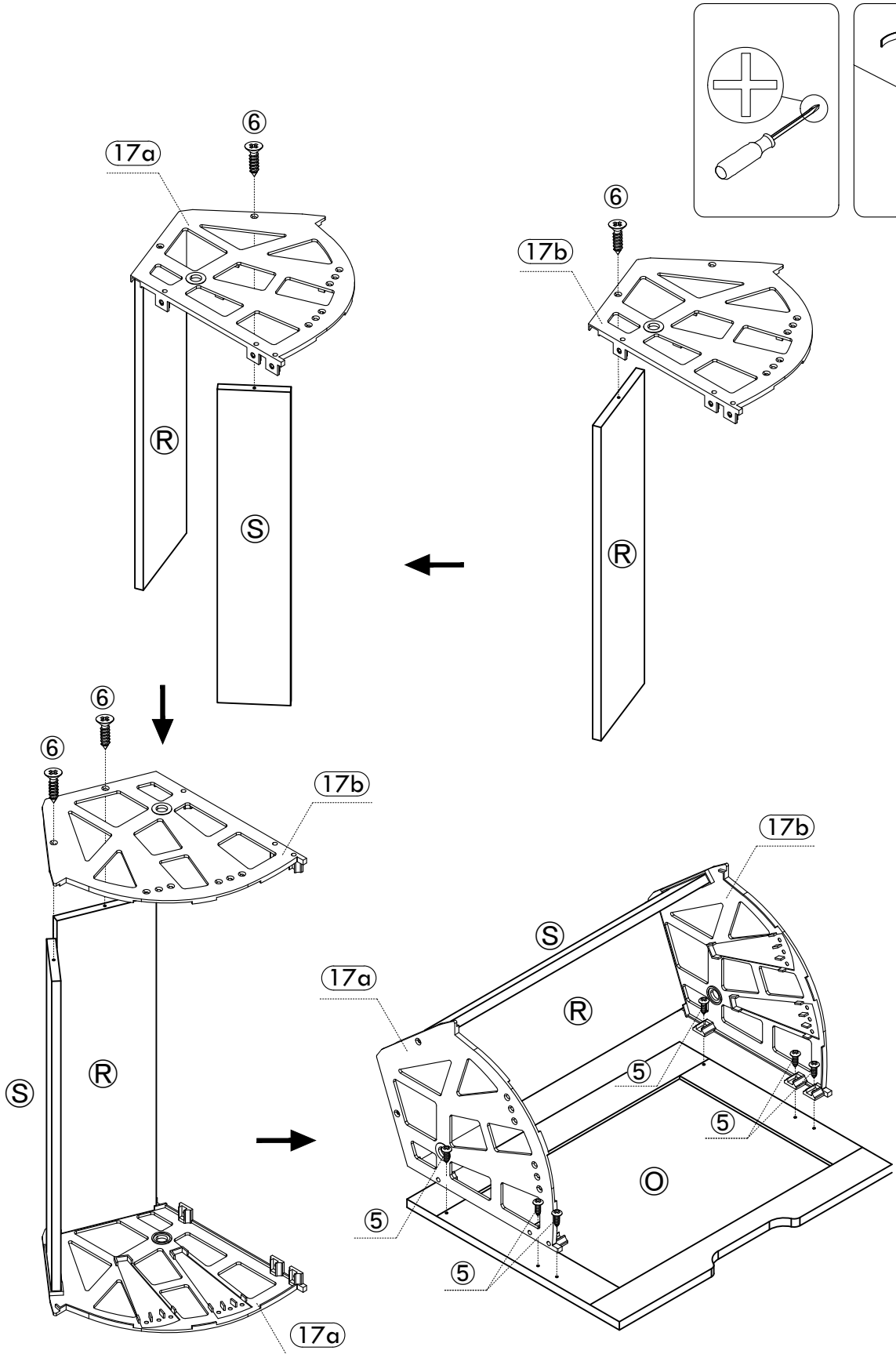
Vertical adjustment



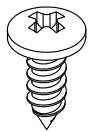
Forward/backwards
adjustment

Assembly Step

Step 17

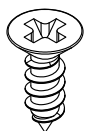


5



Qty 6

6



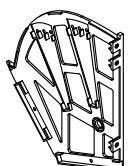
Qty 4

17a



Qty 1

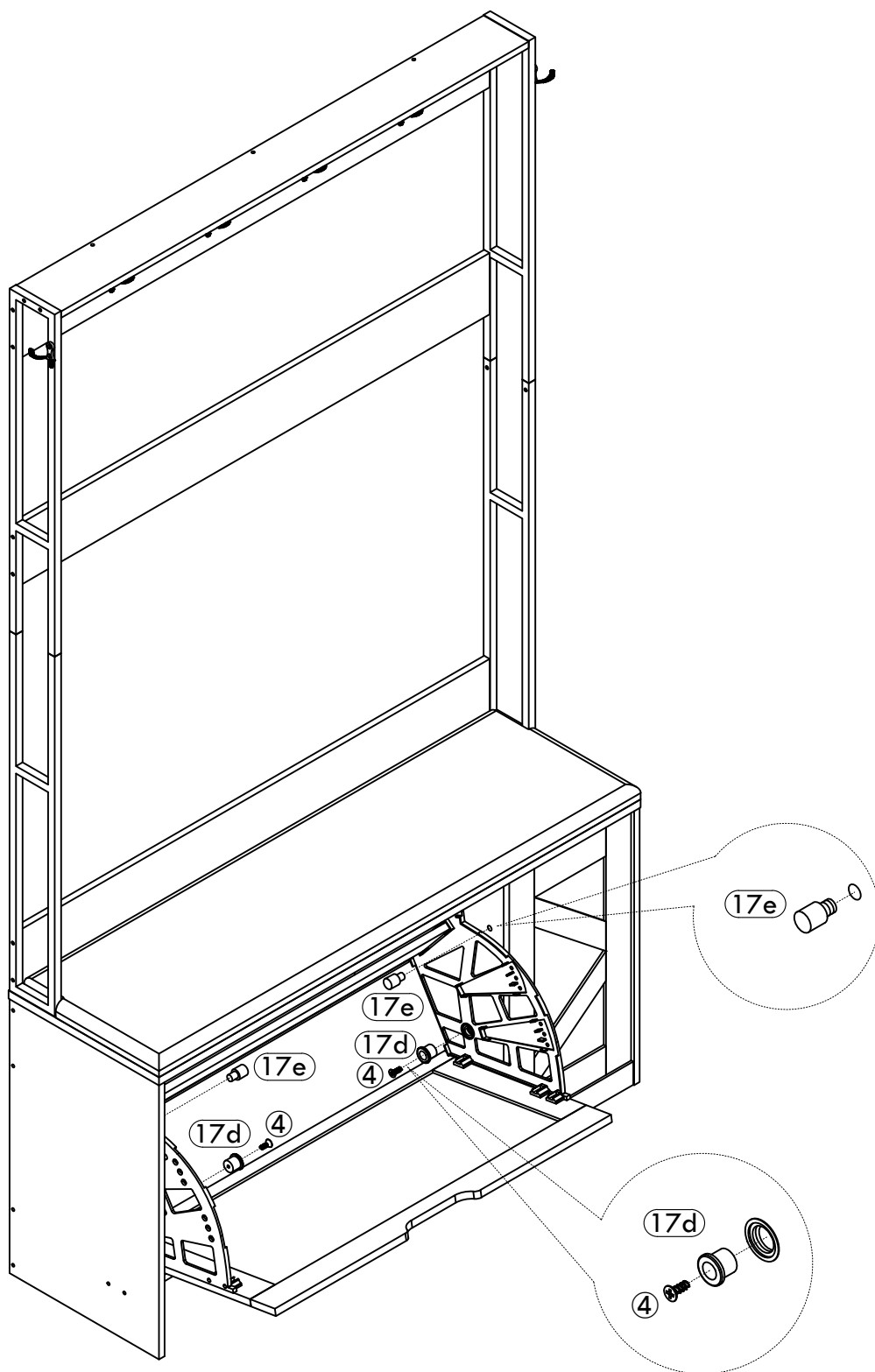
17b



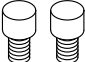


Qty 1

Assembly Step

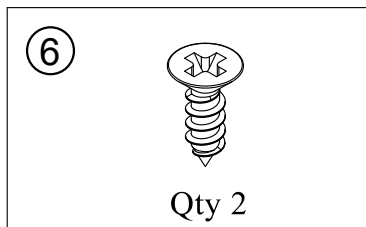
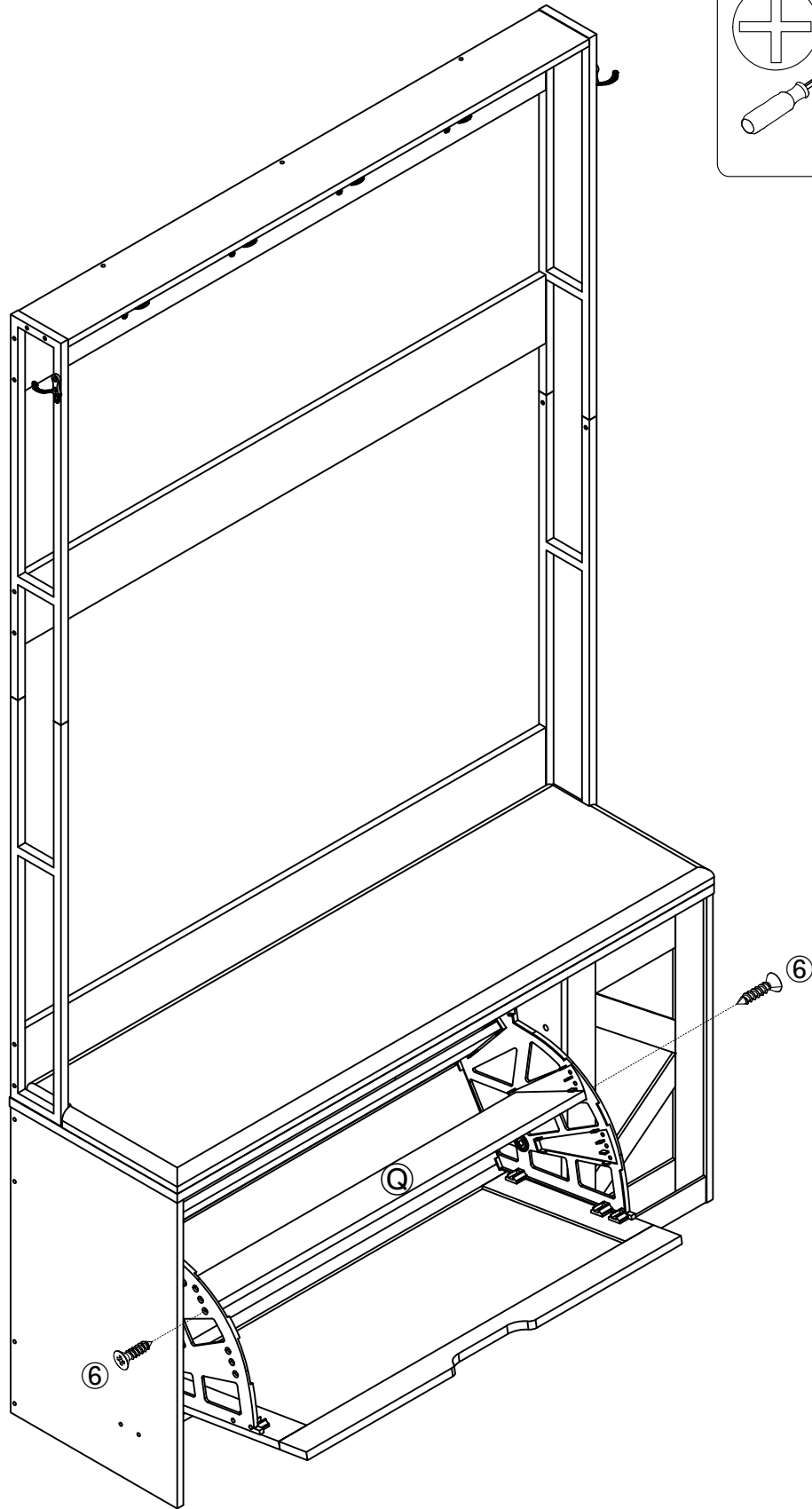
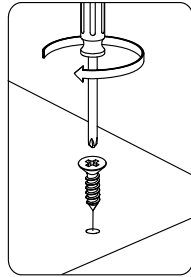
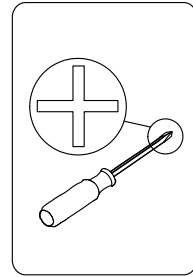
Step 18



<p>④</p>  <p>Qty 2</p>	<p>①7d</p>  <p>Qty 2</p>	<p>①7e</p>  <p>Qty 2</p>
---	---	--

Assembly Step

Step 19



Assembly Step

Step 20

