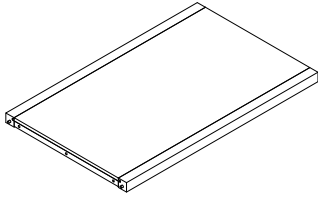
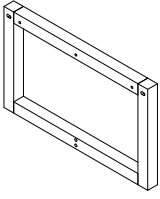
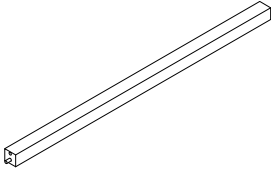
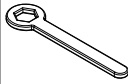





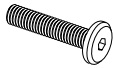




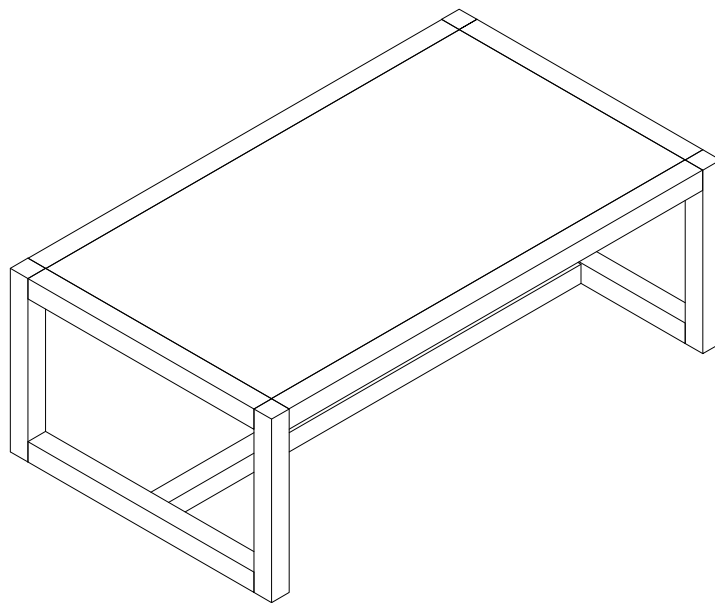
Assembly Instructions

FENMORE COFFEE TABLE

Parts and Tools

A			X 1	<p>Before beginning</p> <p>1) Carefully unpack and position the item on a clean, non-marring surface to assemble.</p> <p>2) Read this Assembly Instructions from beginning to end before starting to assemble.</p> <p>3) Take an inventory of the required parts to ensure all are available.</p> <p>4) To prevent accidental choking hazards, keep all packing materials away from small children.</p> <p>5) Only tighten hardware until ALL hardware are fully engaged on their locations. Overtighten bolts will damage the bolt threads.</p> <p>6) Use only factory provided hardware to assemble. Unapproved hardware can damage product or jeopardize the structural integrity of the product.</p> <p>7) The use of power tool to assemble is not recommended due to high risk of over-torque, which can damage the product.</p>
B			X 2	
C			X 1	

		Z1	Z2	Z3	Z4	Z5	Z6	Z7	Z8	Z9
Z		 13 mm x1	 4 mm x1	 8x100 mm x2	 8 mm x2	 8 mm x2	 8 mm x2	 6x35 mm x6	 6 mm x6	 6 mm x6



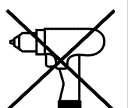
ASSEMBLY REQUIRES
TWO PEOPLE



15 MINUTE
ASSEMBLY TIME



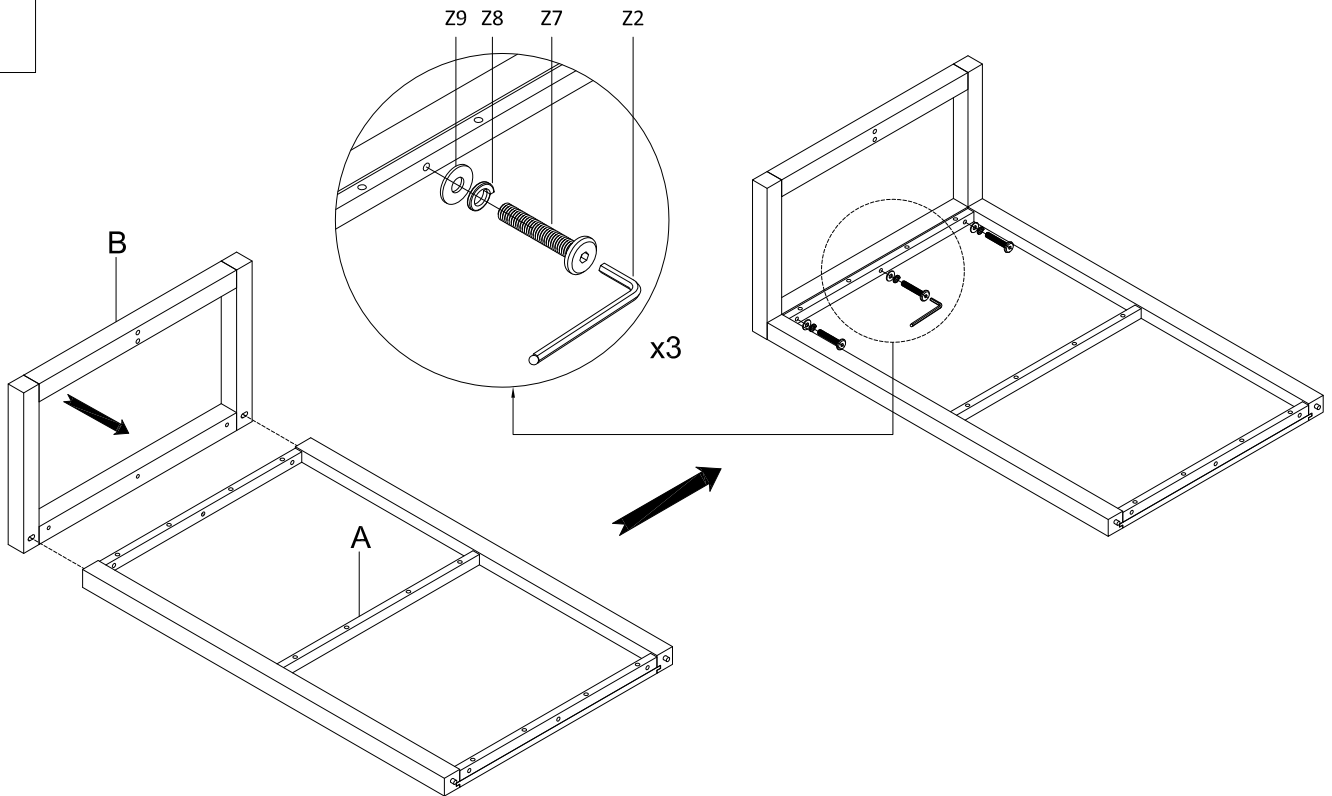
KEEP INSTRUCTIONS
FOR FUTURE USE



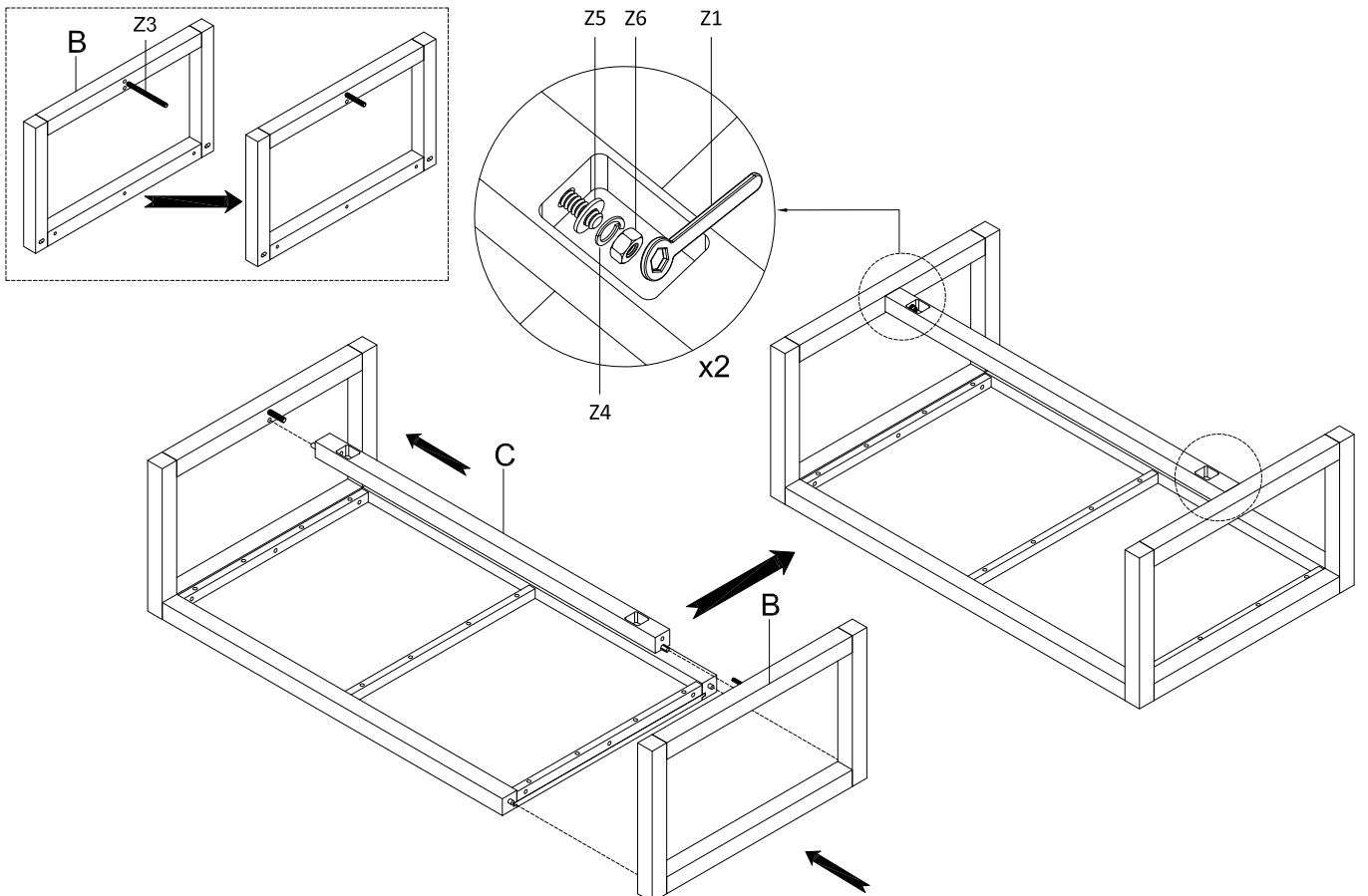
Assembly Instructions

FENMORE COFFEE TABLE

1



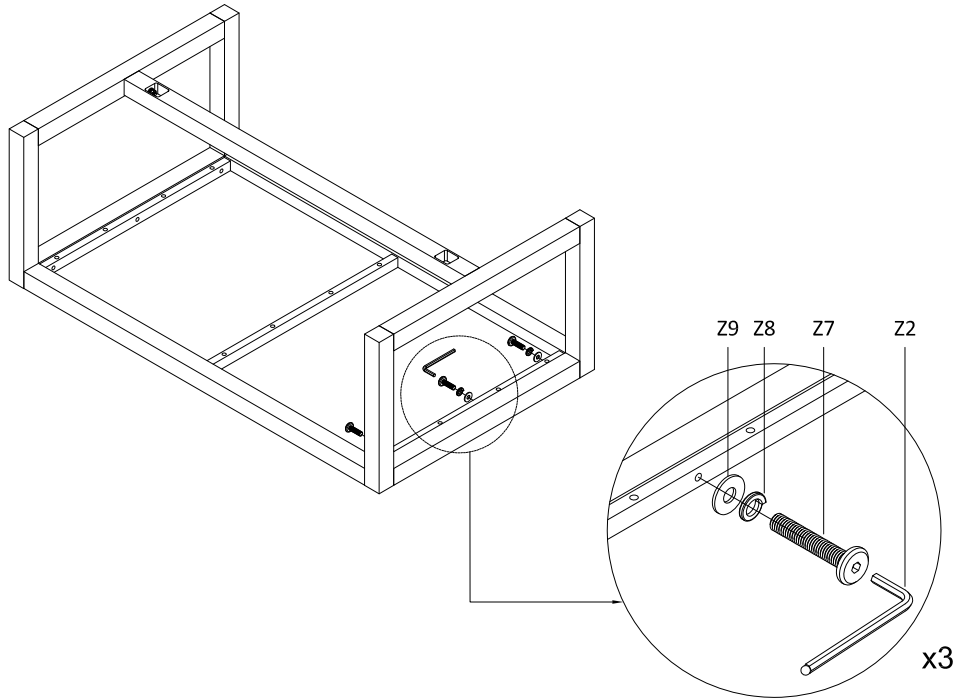
2



Assembly Instructions

FENMORE COFFEE TABLE

3



4

