

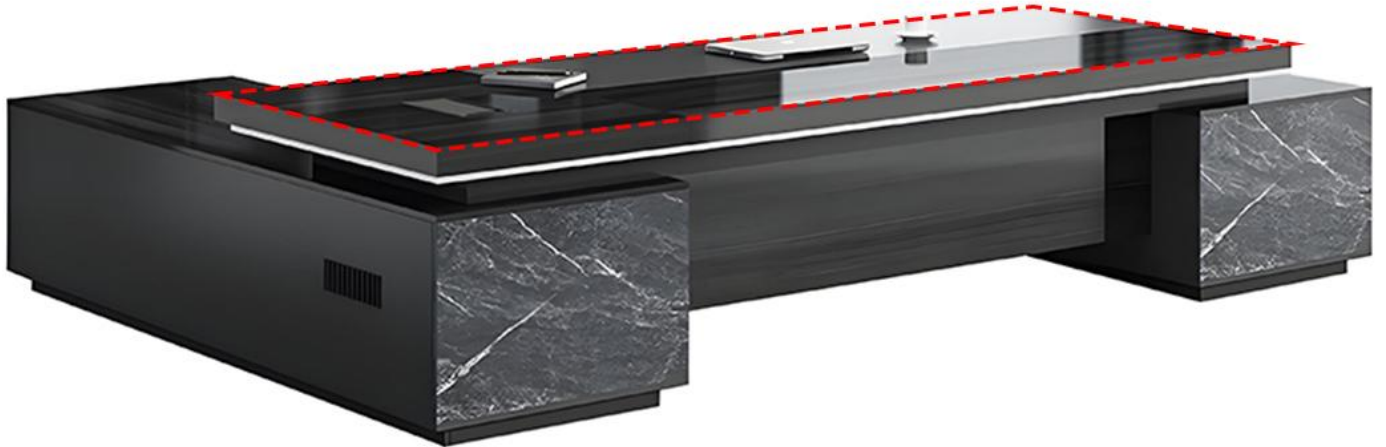
Installation Instructions



Assembly instructions

Step 1: Desktop Installation

Position the desktop at the fixed location,
join the pieces together, and secure them in place



Assembly instructions

Step 2: Baffle Panel Installation Attach the side baffle panels, align with the left and right cabinets, and lock them in place.

Installation Complete

