

NOTICE

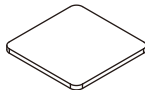
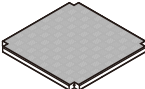




- * Please make sure that you have all parts indicated and they are in good condition before you begin assembly of this item. Refer to part list and hardware list below for guidance.
- * This item should be assembled on a soft surface to prevent scratching the finish during assembly.
- * This item may require periodic tightening.

PREPARATION

- * Before beginning assembly of product, make sure all parts are present. Compare parts with part contents list and hardware contents list.
- * If any part is missing or damaged, do not attempt to assemble the product.
- * Estimated Assembly Time: 15 minutes.
- * Tools Required for Assembly (included): Allen key.

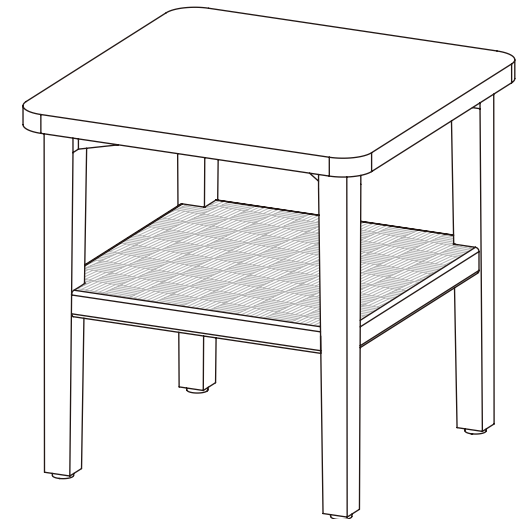
CARE AND MAINTENANCE

* Always use felt pads under all articles to prevent discoloration or softening of the lacquer. Plastic and rubber bases on items can discolor wood. Wipe up spills immediately and avoid common hazards such as hot dishes, harsh solvents and abrasives. Cleaning should be done with a soft lint free cotton cloth dampened with water or furniture polish. On highly used surfaces we recommend applying a quality paste wax which should be used on a regular basis to provide additional protection from scratches and spills. How often you apply the wax depends on how much wear the furniture receives.

Part List and Hardware List			
PIECE	DESCRIPTION	PICTURE	QUANTITY
A	Top		1X
B	Shelf		1X
C	Leg		4X
HW1	Bolt(M8x0.5x55MM)		12X
HW2	Flat Washer		12X
HW3	Allen key		1X

Owner Manual

Product Dimensions: 19.1"W X19.1"D X 19.1"H

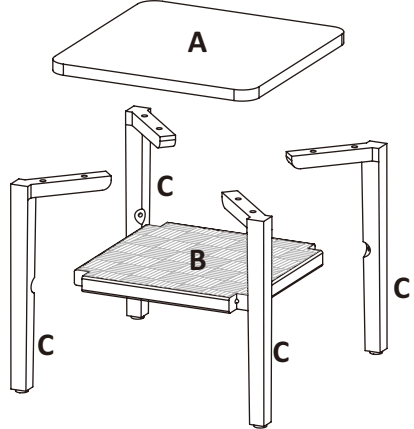
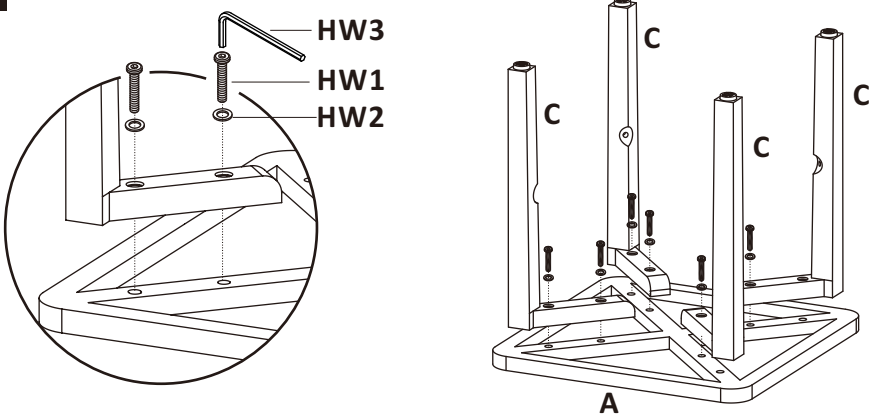
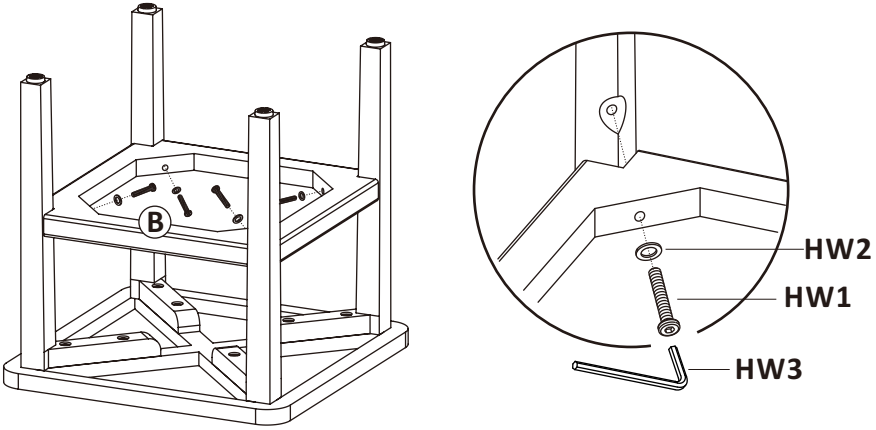
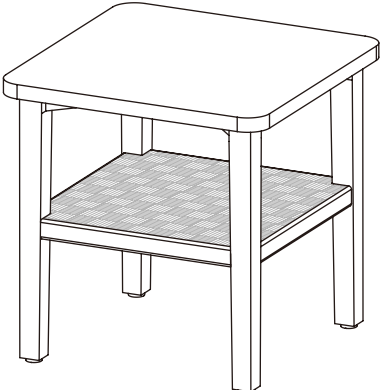


WARNING

Weight Capacity - 50 lbs of each shelf.
Warning: Do not stand on product.
Warning: Do not over torque bolts.

PREPARATION

- * Before beginning assembly of product, make sure all parts are present. Compare parts with part contents list and hardware contents list.
- * If any part is missing or damaged, do not attempt to assemble the product.
- * Estimated Assembly Time: 15 minutes.
- * Tools Required for Assembly (included): Allen Key.

<p>1</p> 	<p>2</p> 
<p>Step1:Take all parts out.</p>	<p>Step2:Attach legs on table top, tighten all bolts</p>
<p>3</p> 	<p>4</p> 
<p>Step3:Attach Shelf to Legs, tighten all bolts</p>	<p>Step4:Enjoy your new table</p>