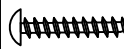





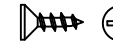




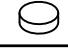

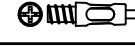





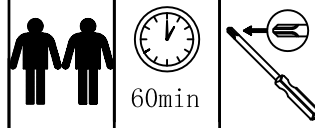


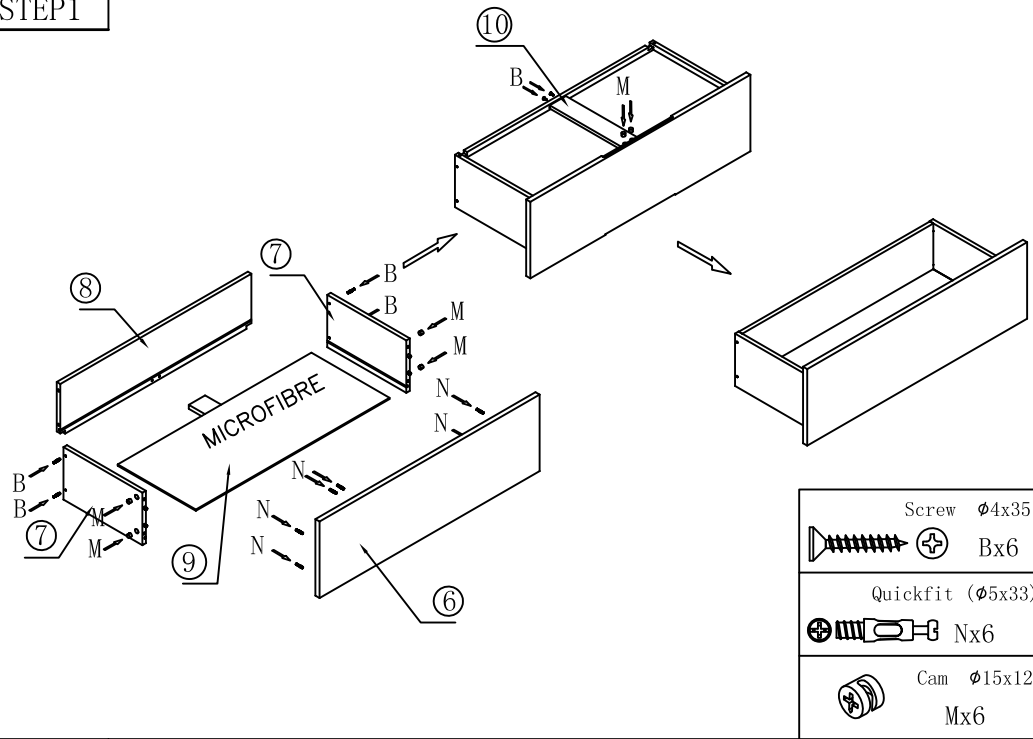
No	Part	Qty
1	Top panel	1
2	Pedestal	1
3	Shelf	1
4	Side panel	2
5	Back panel	1
6	Drawer front panel	1
7	Drawer side panel	2
8	Drawer back panel	1
9	Drawer bottom panel	1
10	Support for bottom panel	1
11	Glass Door	2
12	Glass shelf	2

No	Part	Qty
A	 Screw $\phi 4 \times 40$	4
B	 Screw $\phi 4 \times 35$	6
C	 Gasket M5	2
D	 Handles	2
E	 Drawer Slides 14"	1
F	 Shelf support	2
G	 Screw $\phi 4 \times 12$	4
H	 Screw $\phi 6 \times 10$	6
I	 Angle iron	8
J	 Screw $\phi 4 \times 16$	44
K	 Screw M4x12	2
L	 No-bump plastic 2MM	2
M	 Cam $\phi 15 \times 12$	28
N	 Quickfit ($\phi 5 \times 33$)	28
O	 Shelf support for glass	8
P	 Concealed lamp	1
Q	 Spring hinge ($\phi 26$)	6
R	 Screw $\phi 4 \times 20$	6
S	 Plastic Cushion	2

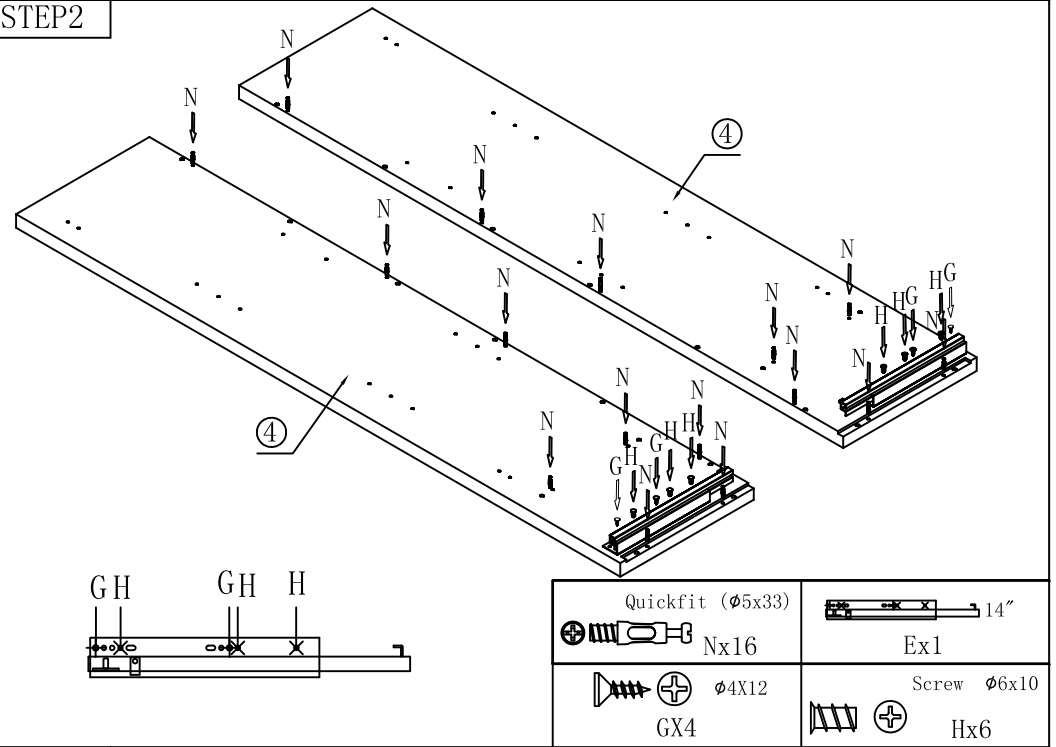
- Please check contents and read instructions before commencing assembly.
- Please use a soft mat to avoid damaging during assembly
- Assemble this article following the enclosed instructions carefully.



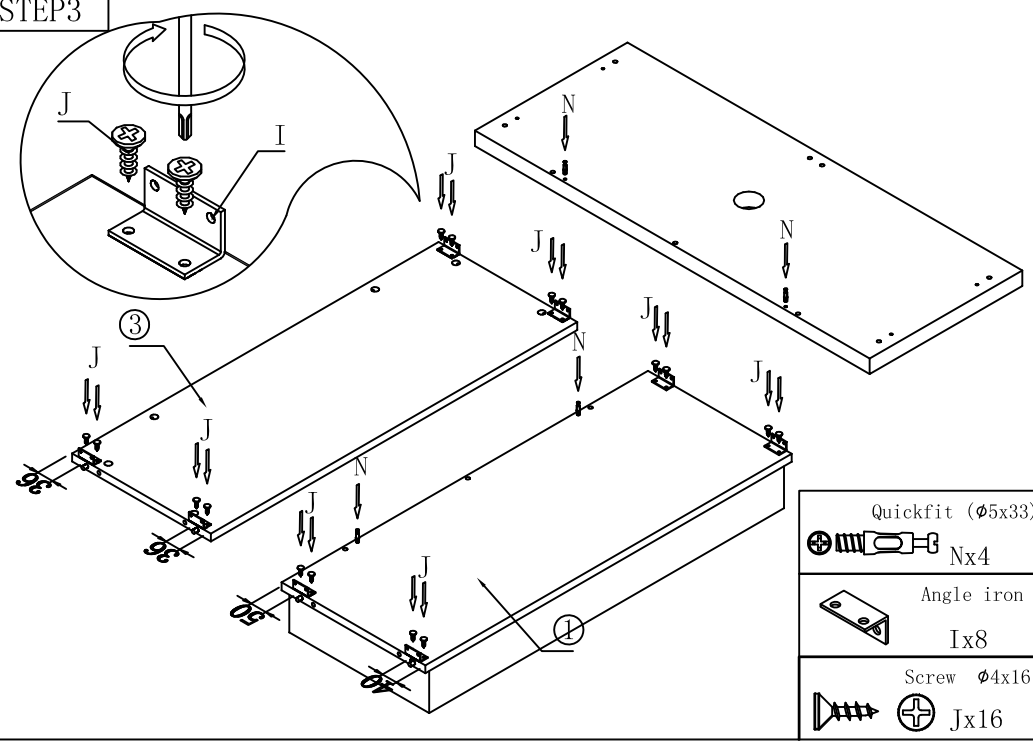
STEP1



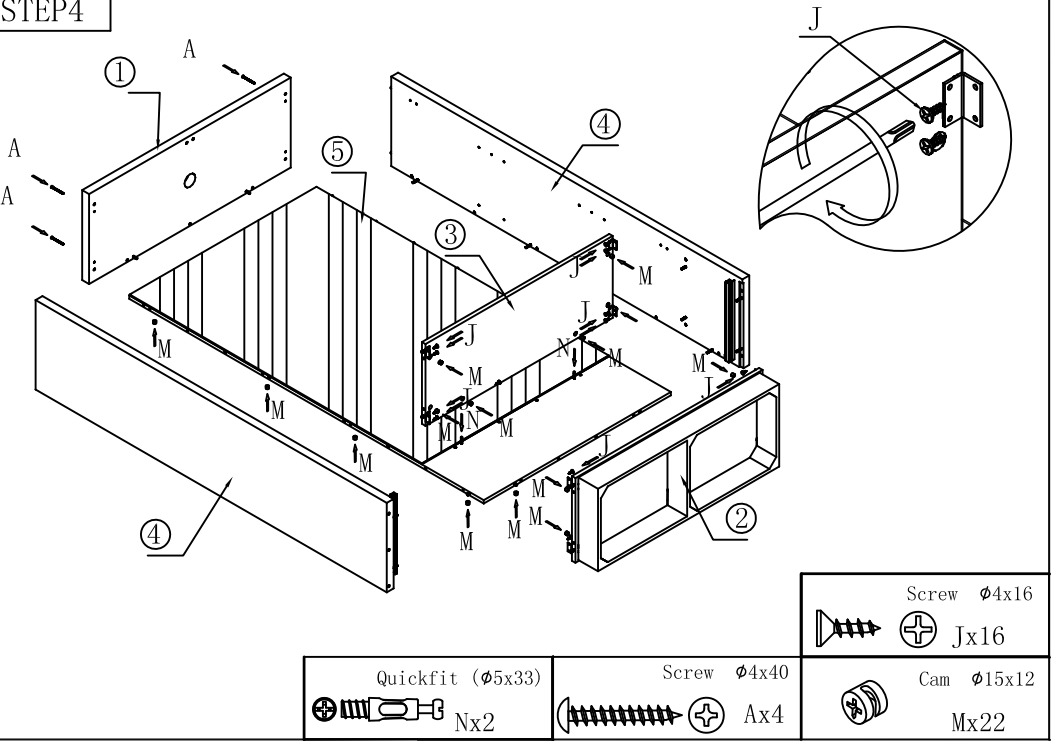
STEP2



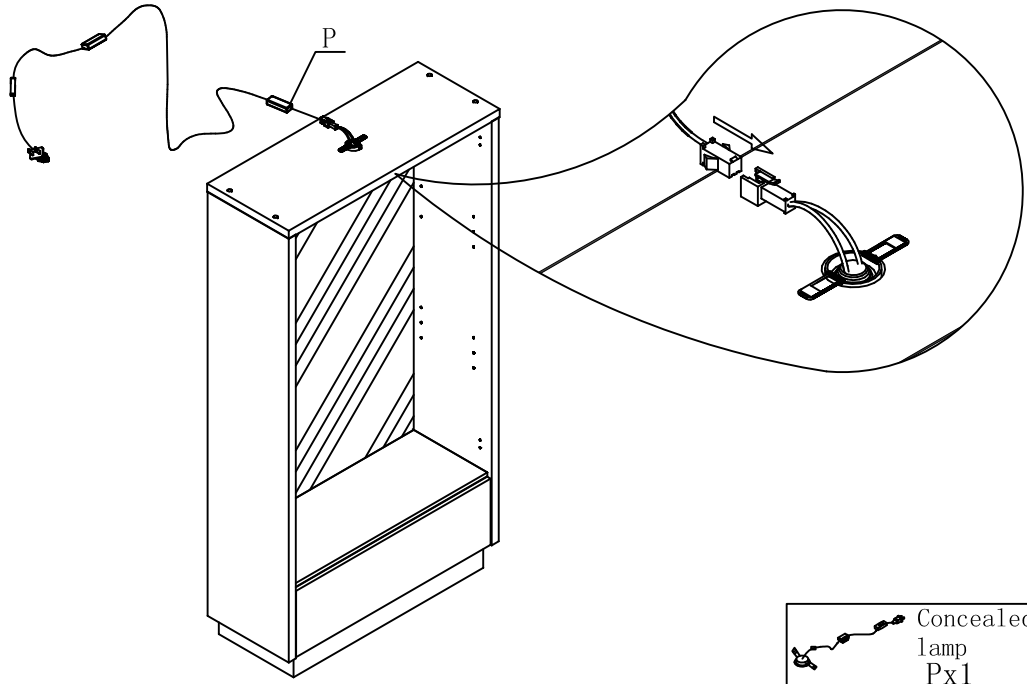
STEP3



STEP4

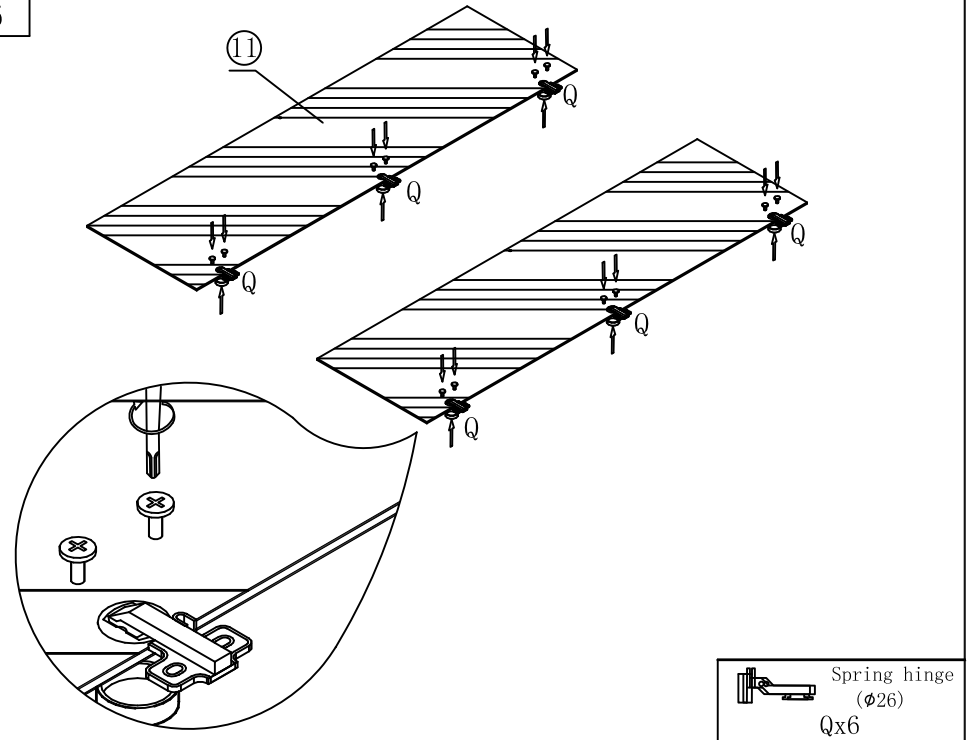


STEP5



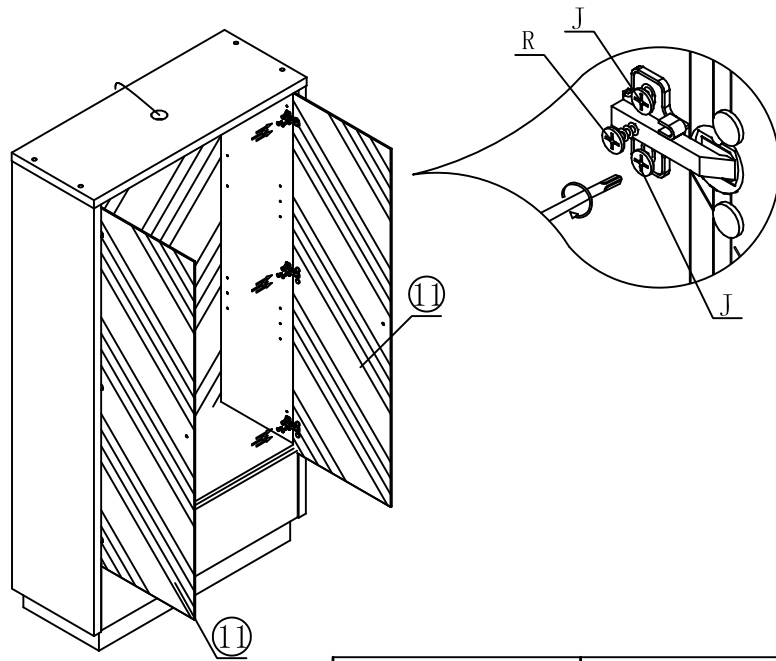
Concealed lamp Px1

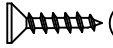
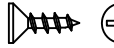
STEP6



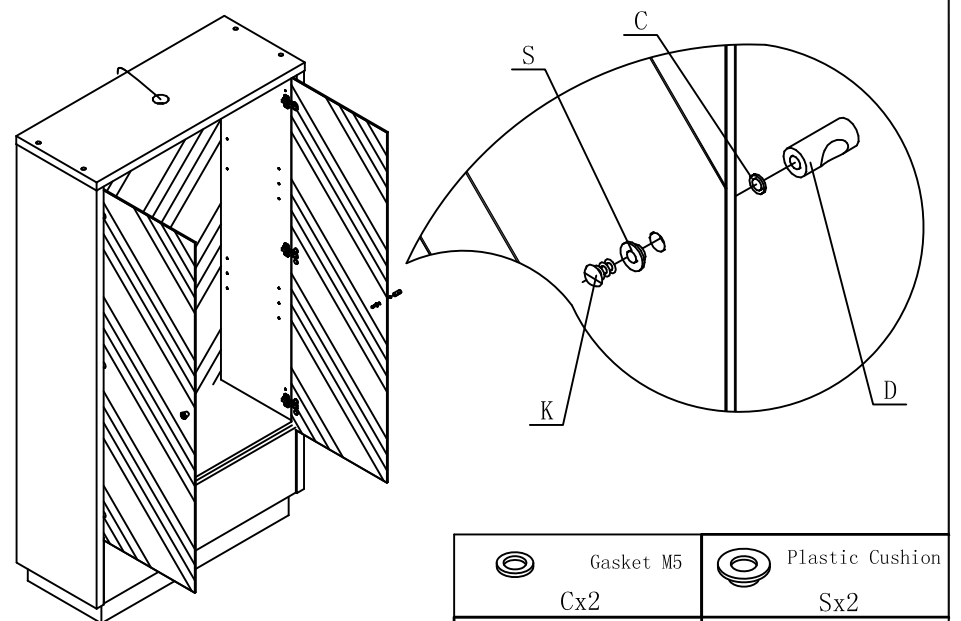
Spring hinge (Ø26) Qx6




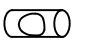
STEP7



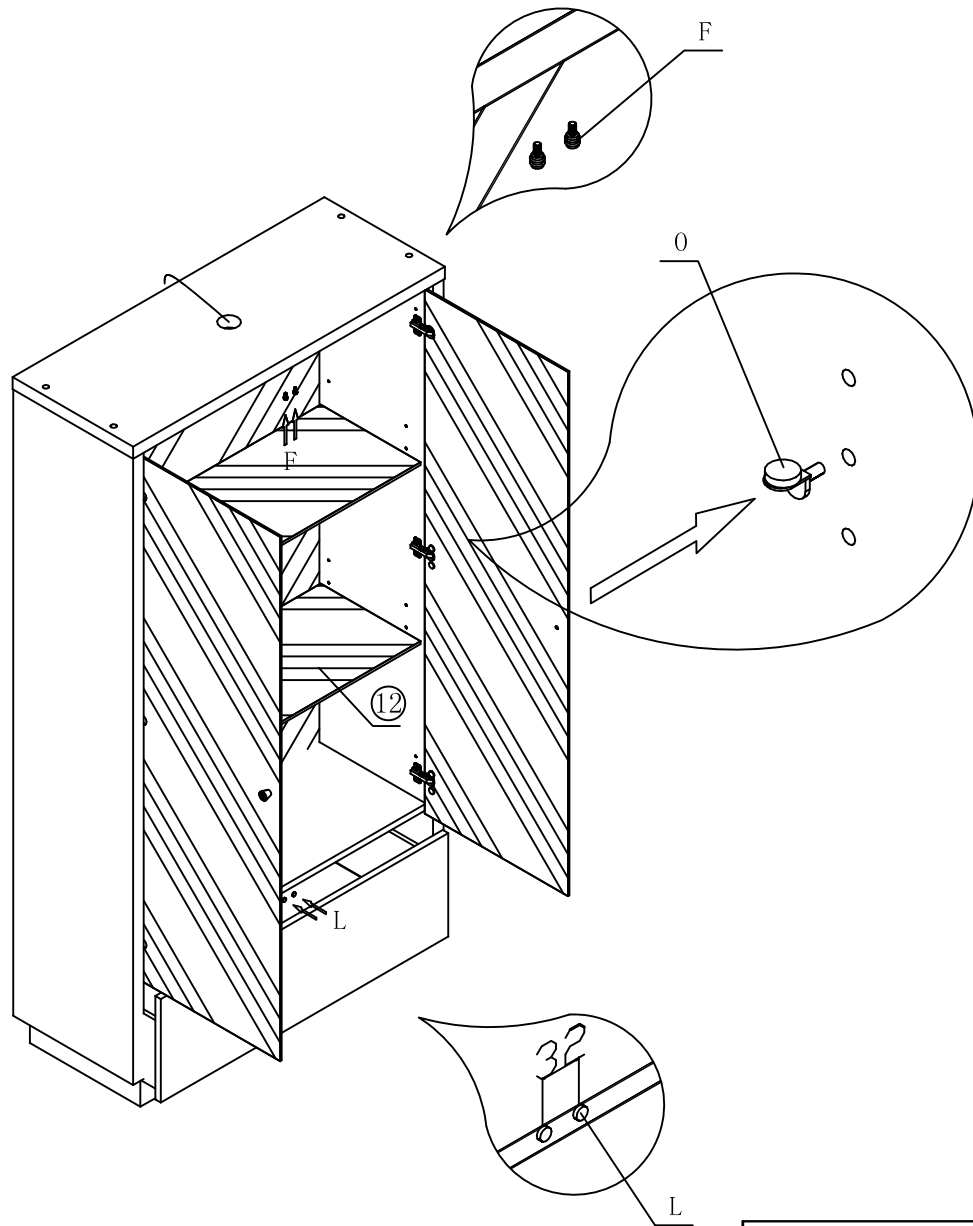
 \oplus $\phi 4 \times 20$ Rx6
 \oplus $\phi 4 \times 16$ Jx12

STEP8

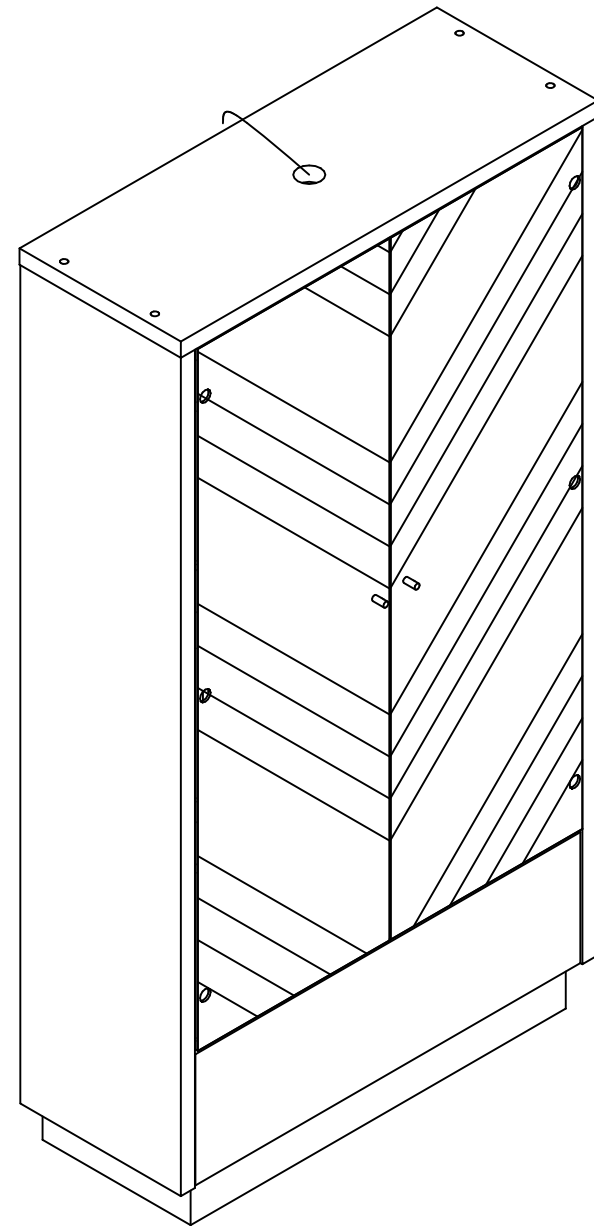






	Gasket M5 Cx2		Plastic Cushion Sx2
	M4x12 Kx2		Handles Dx2

STEP9



STEP10



	No-bump plastic 2MM
	Lx2
	Shelf support for glass Ox8
	Fx2