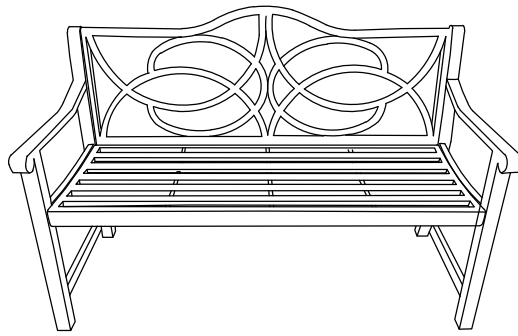
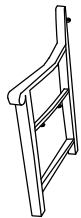


# ASSEMBLY INSTRUCTION



## PARTS LIST



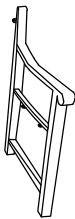
L ARM(1 PC)



SOFA BASE(1 PC)



BACKREST (1 PCS )



R ARM(1 PC)



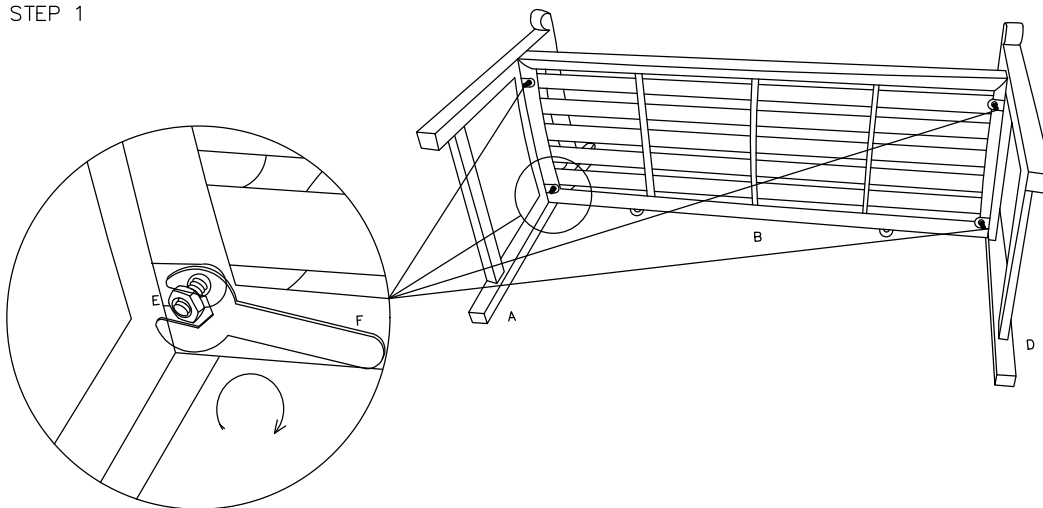
SCREWS (8 PCS)



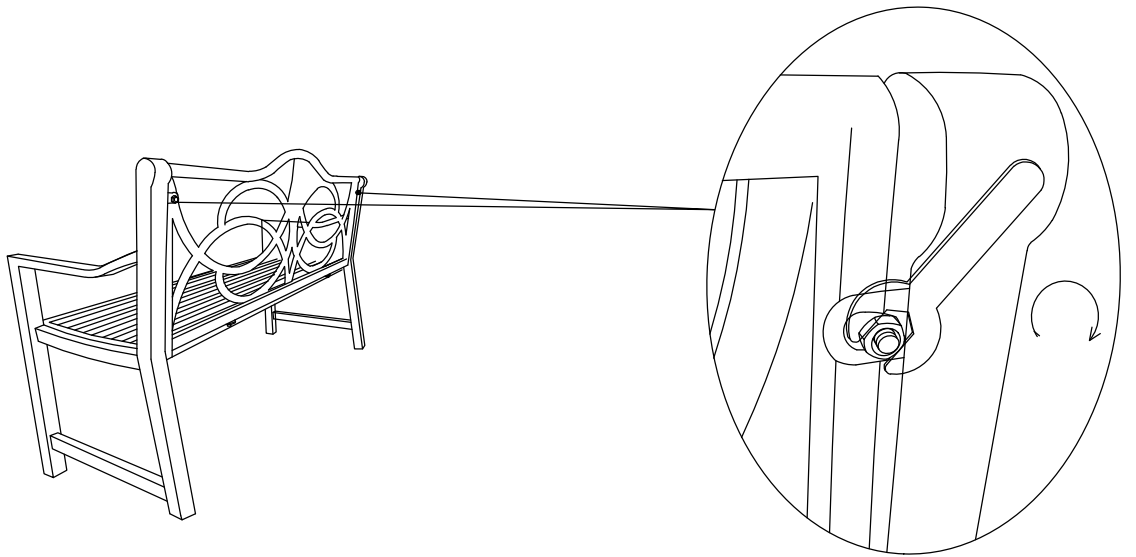
OPEN SPANNER(1 PC)

## ASSEMBLY

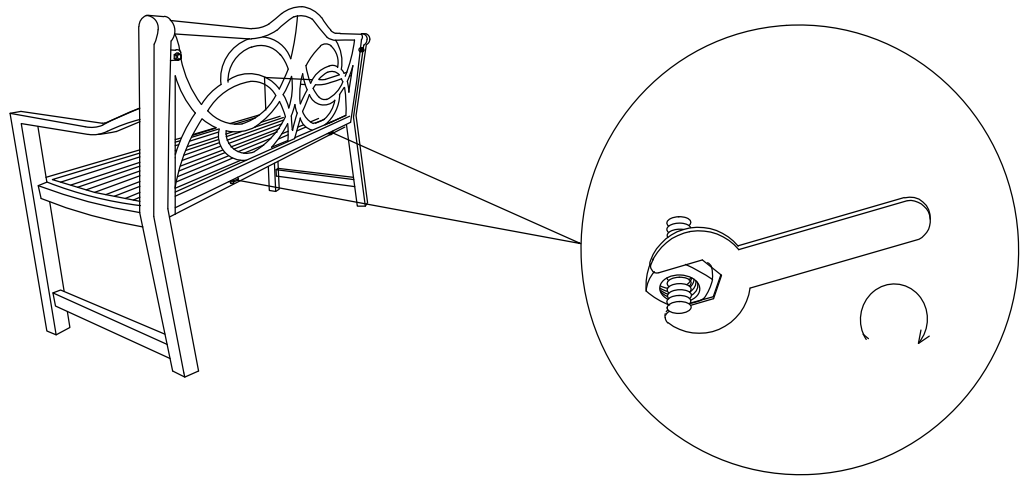
STEP 1



STEP 2



STEP 3



COMPLETE

