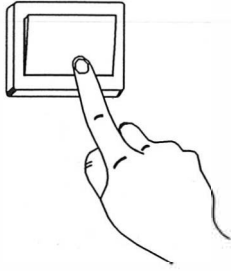
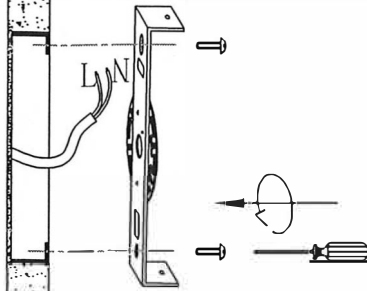


# INSTALLATION INSTRUCTION

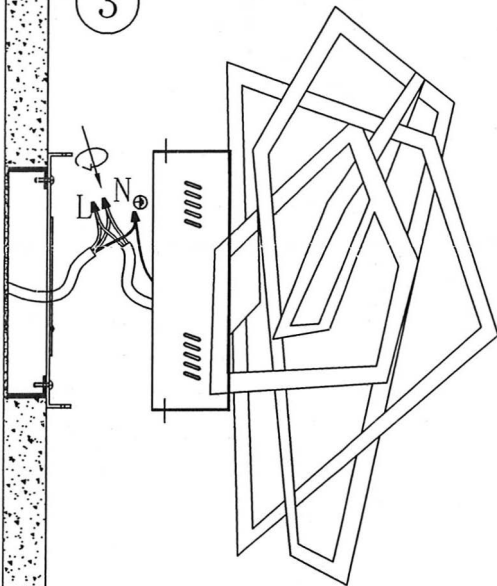
①



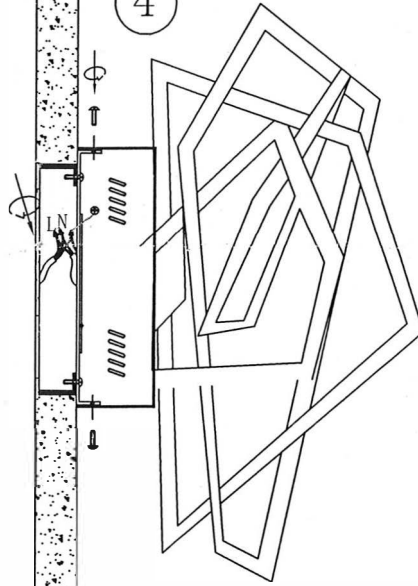
②



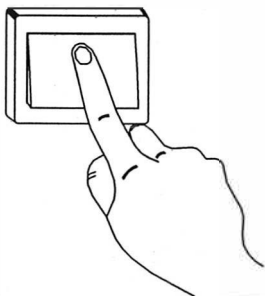
③



④



⑤



① turn off the power

④ Locking Plate screw, fixed lamp body

② Padlock panel

⑤ Connect the power cord

③ Connect the power cord