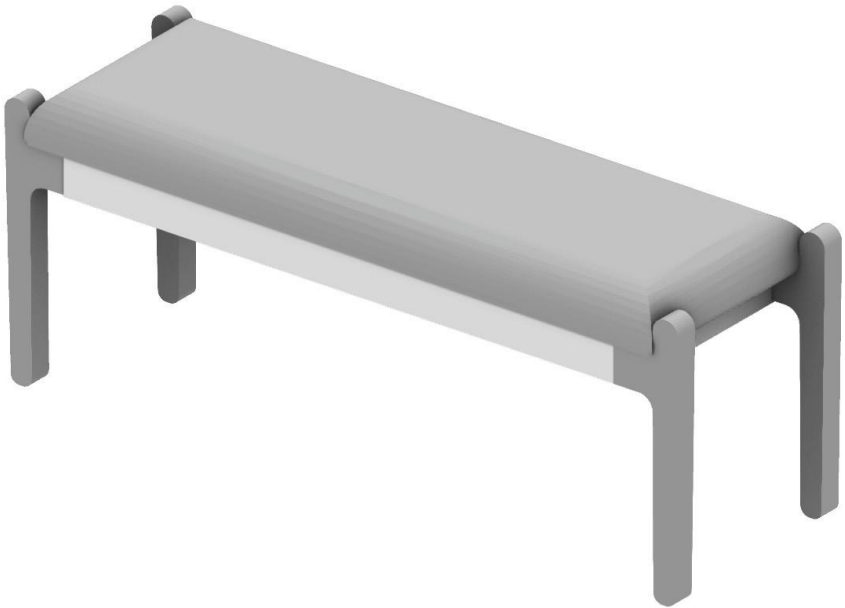


# Owner Manual



10 : 00

---

estimated assembly



2 or more

---

people required

Ok, let's  
get started!



- Put on mood music!
- To prevent damage to product, use the clean side of package carton or rug as working surface.
- In the event of missing or damaged parts, delivery problems etc., please reach out to our team. We will be happy to fix the problem!

# care guide

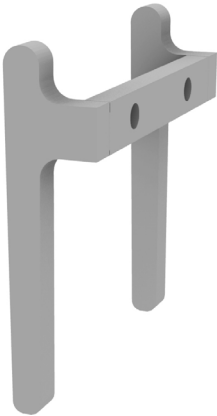
- Clean regularly with a soft and dry cloth.
- To protect finish, avoid use of abrasive cleaners.
- Wipe up spills immediately. Please!



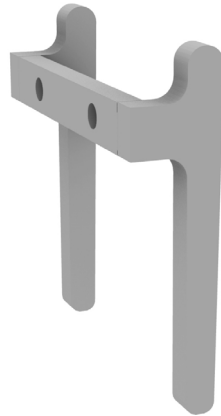
# product parts



A  
Top  
x1



B1



B2

Legs  
x2

# what's included



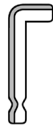
(C)- Plain Washer  
(8x20mm)  
x4



(D)- Lock Washer  
(8x16mm)  
x4



(E)- L Key Bolt  
(8x35mm)  
x4



(F)- Allen Key  
(6mm)  
x1

GS

Green sticker

OS

Orange sticker

## assembly instructions

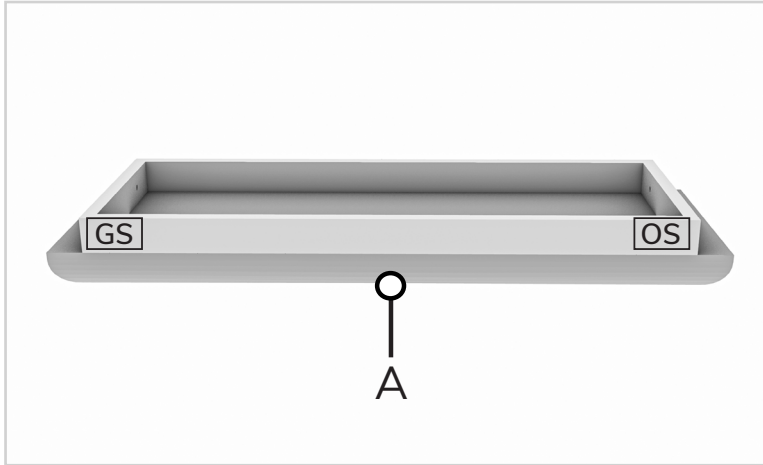
Friendly Tip: Take a deep breath going in. This may be a tricky part, but nothing too overwhelming. Just follow these steps to the T and the outcome will be worth it!



- ⓘ While assembling the product, tighten the bolts up to 50%. Once all parts are in place, only then fully tighten the bolts.

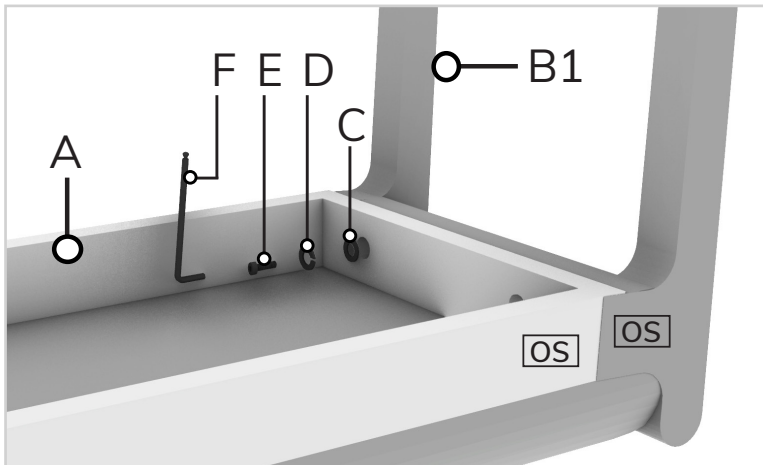
## step 1:

Start by placing the tabletop (A) upside down on a flat surface. Use a rug or clean surface to avoid scratches.



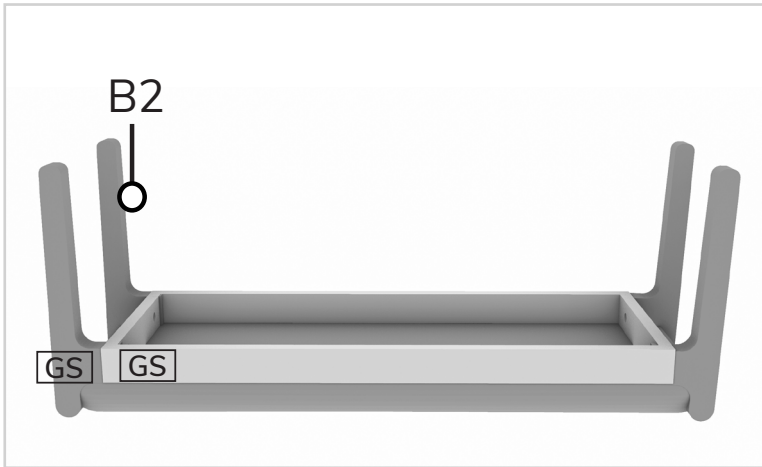
## step 2:

Place leg (B1) next to tabletop (A) and line up the holes with the slots, making sure the stickers on both parts match. Then, put in the plain washer (C), lock washer (D), and bolts (E) into the slots, and tighten them with the allen key (F).



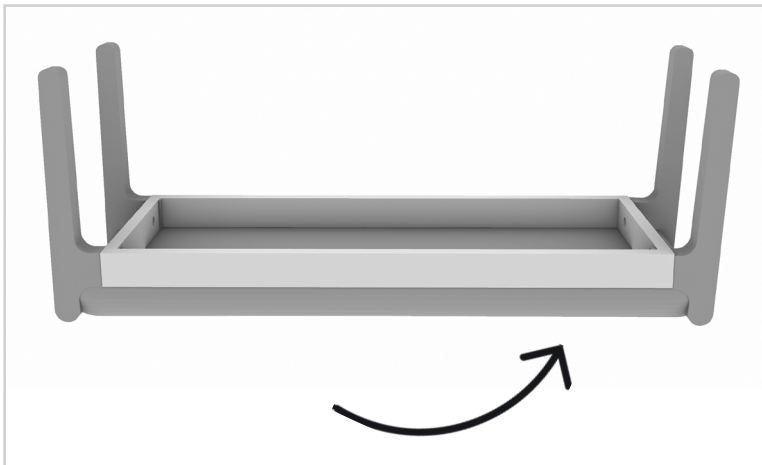
step 3:

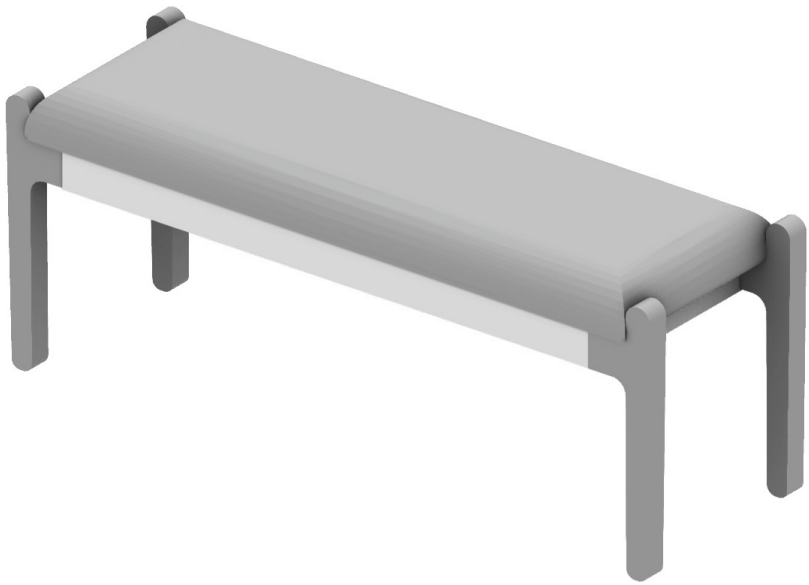
Repeat step 2 with the remaining legs (B2).



step 4:

Now, carefully turn the table upright and ensure it stands straight.





---

**Voila! Your bench is now assembled and secure!**