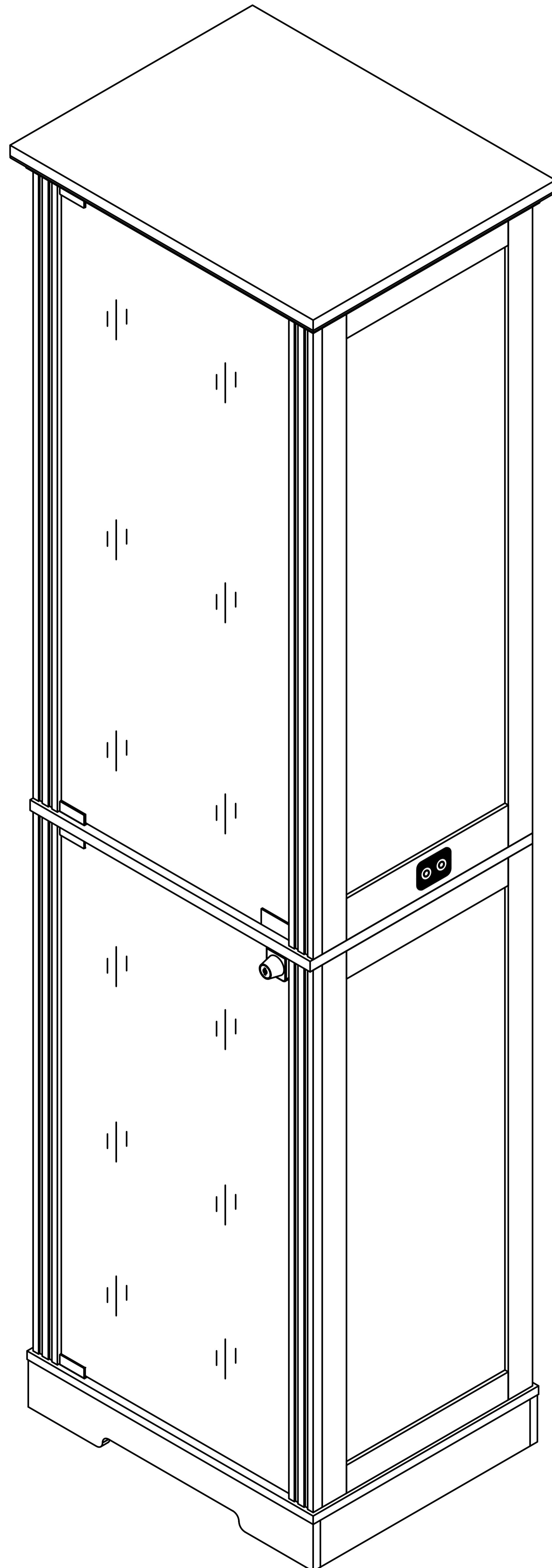
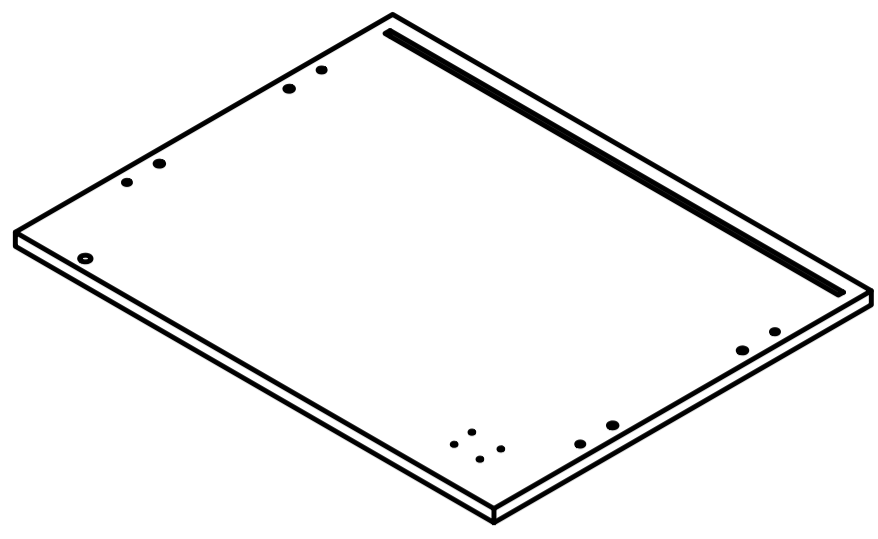
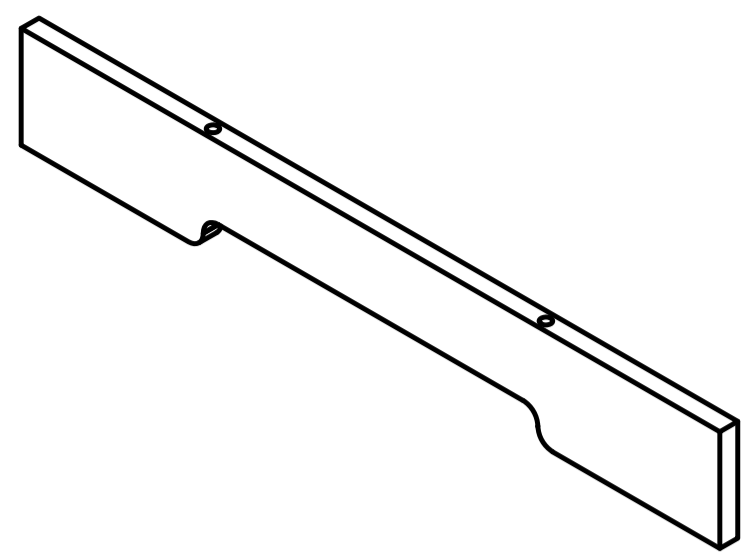


Product Installation Instructions

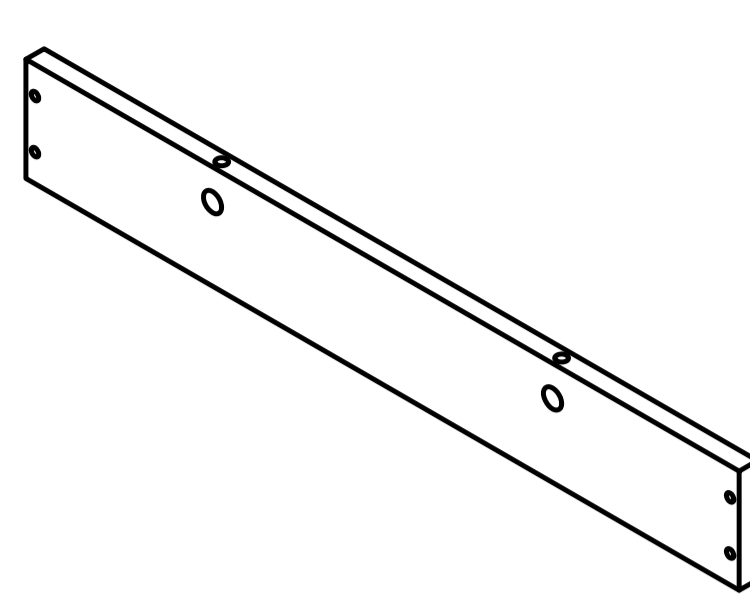




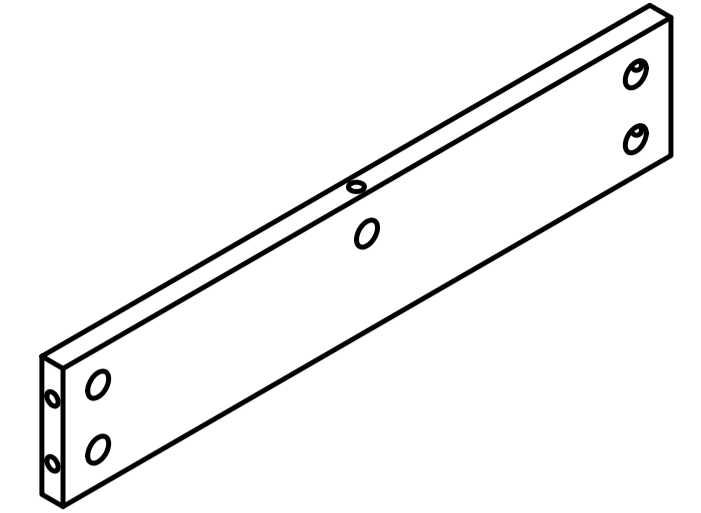
Ax1



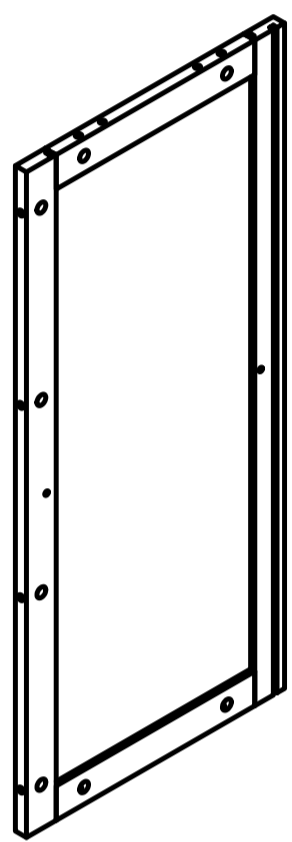
Bx1



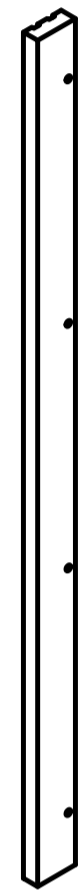
Cx1



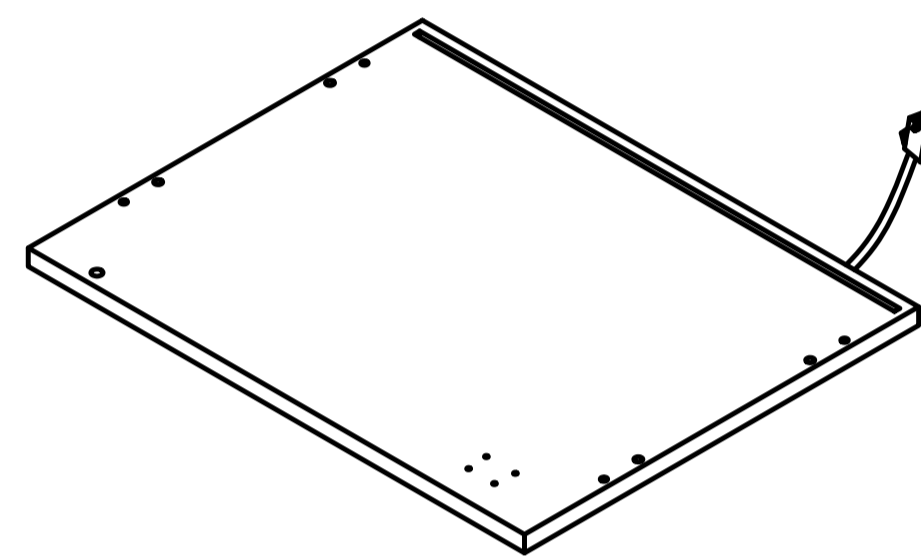
Dx2



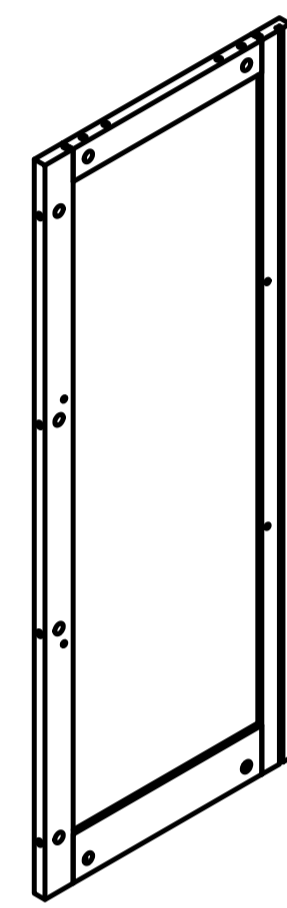
Ex2



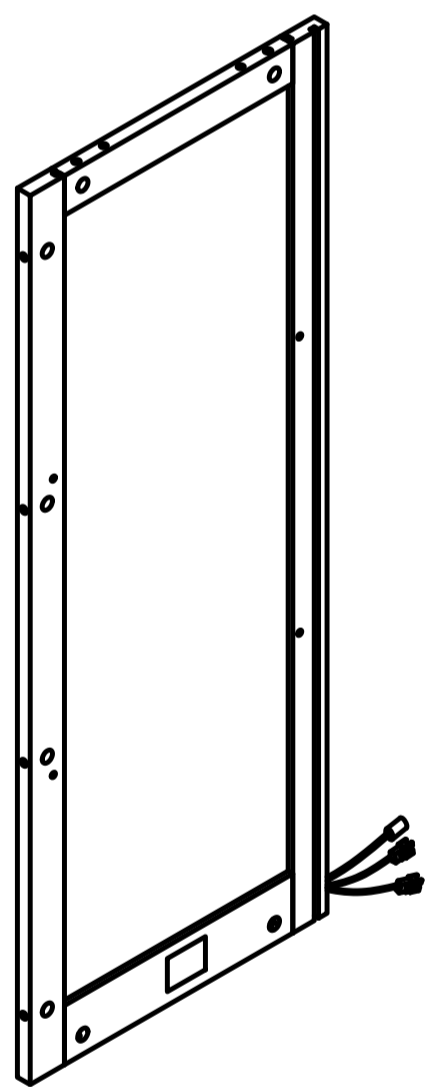
Fx2



Gx1



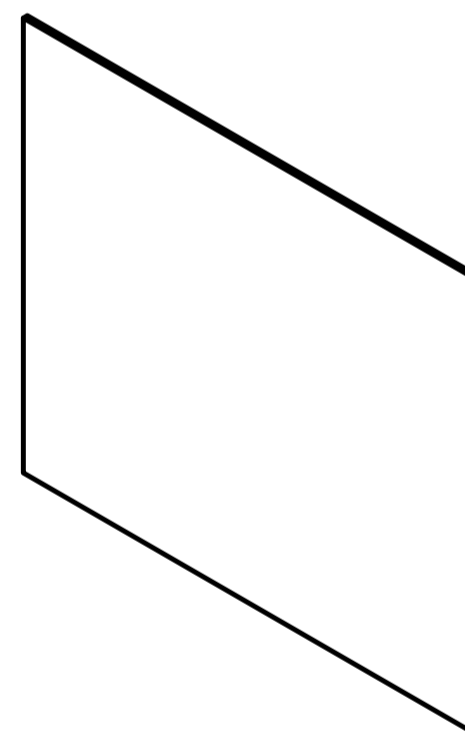
Hx1



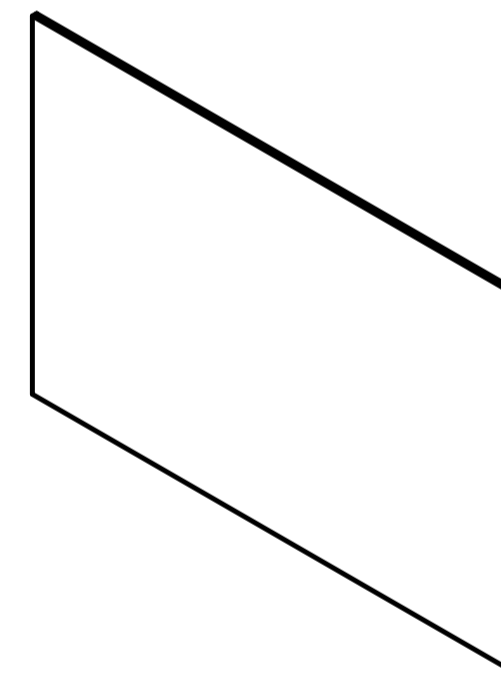
Ix1



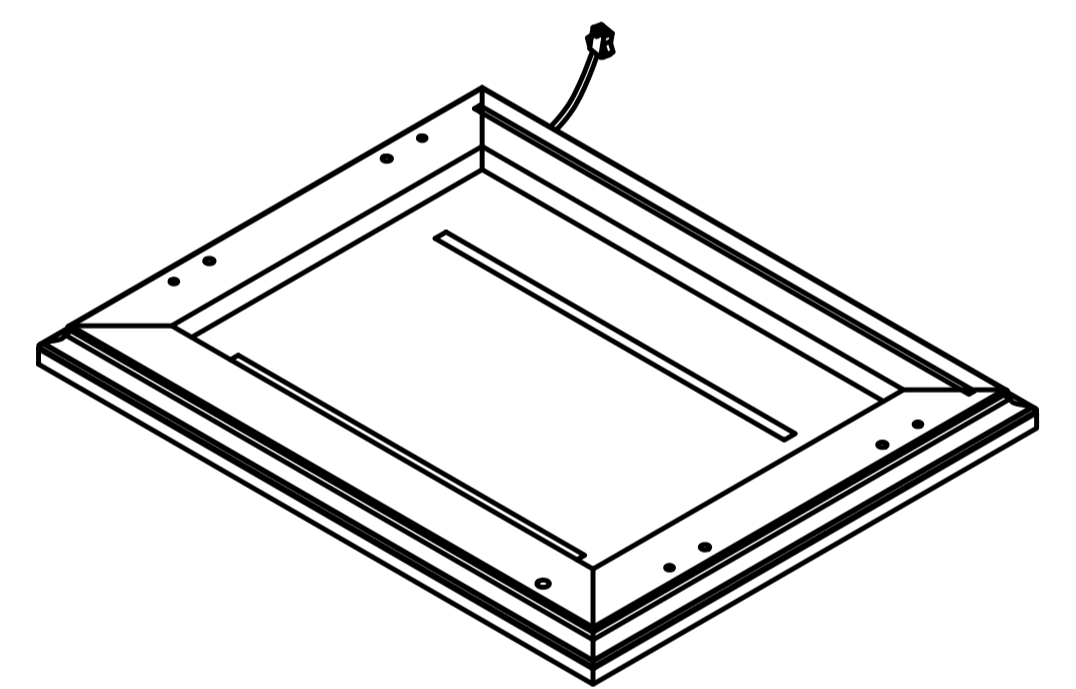
Jx2



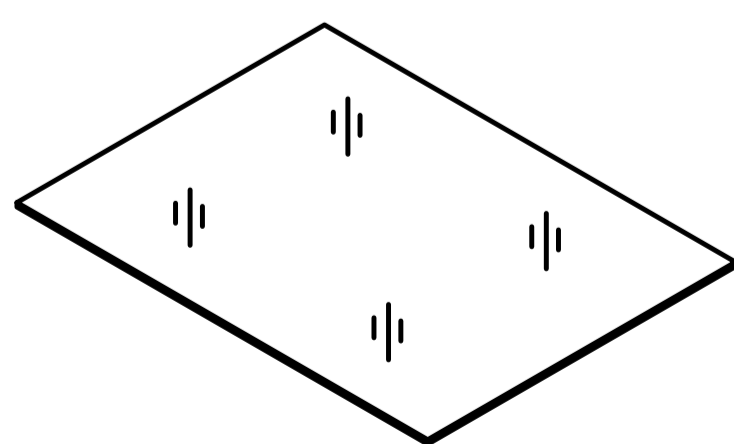
Kx2



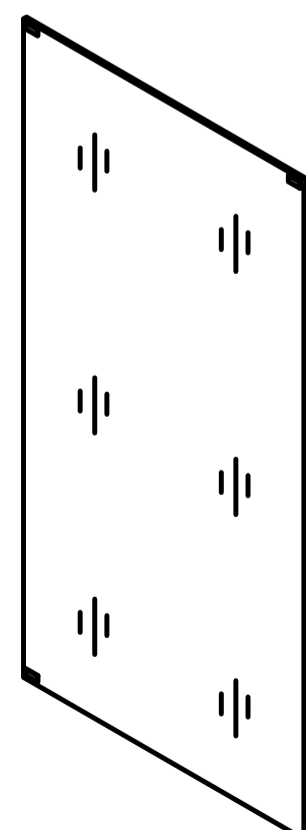
Lx3



Mx1



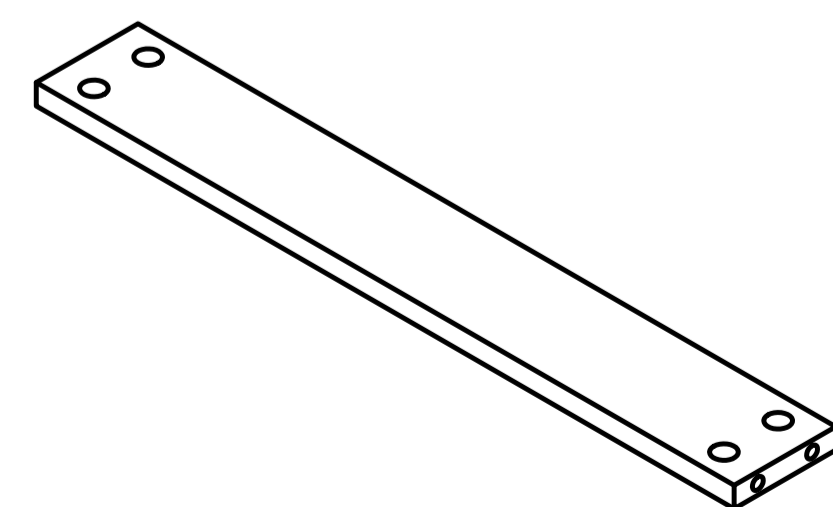
Nx3



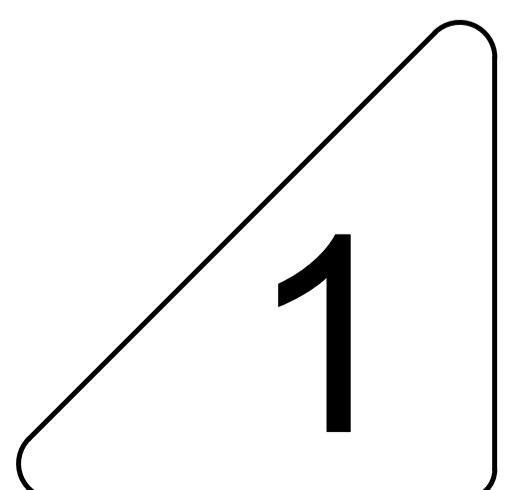
Ox1



Px1

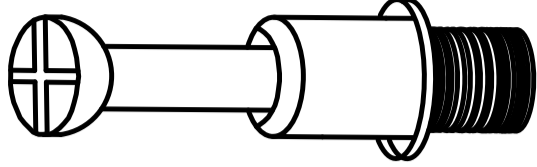
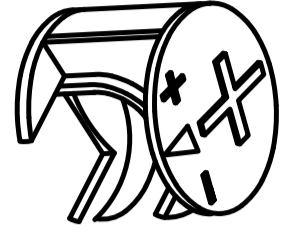


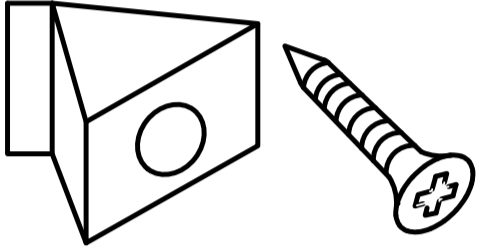
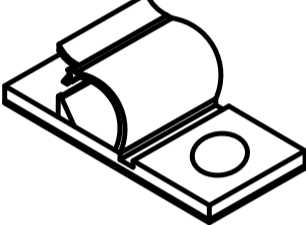
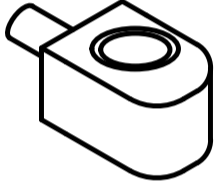
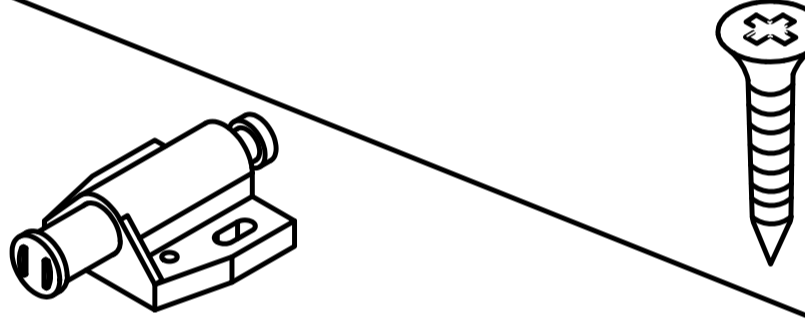
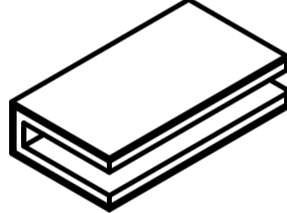

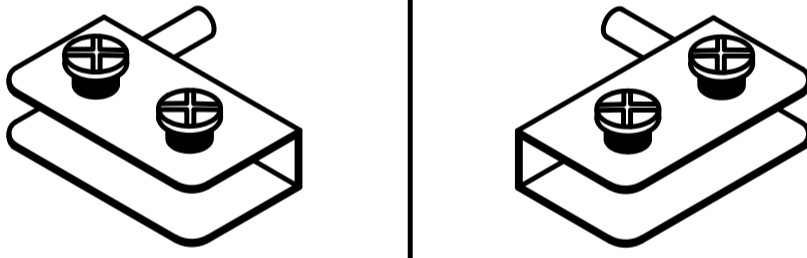
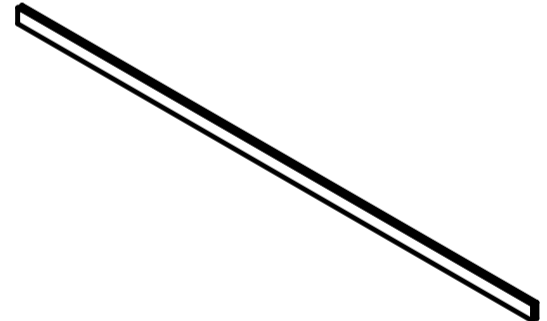
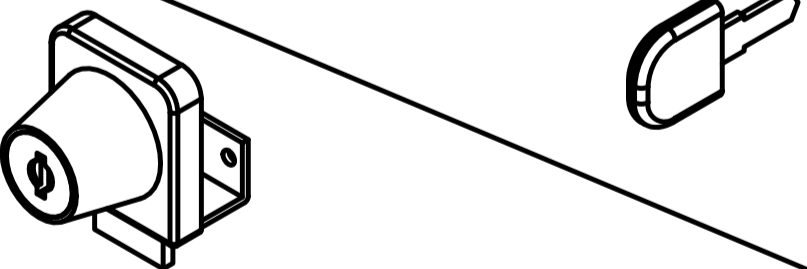
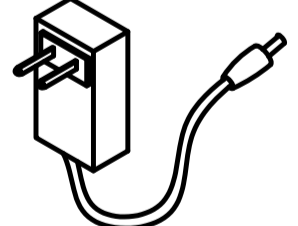
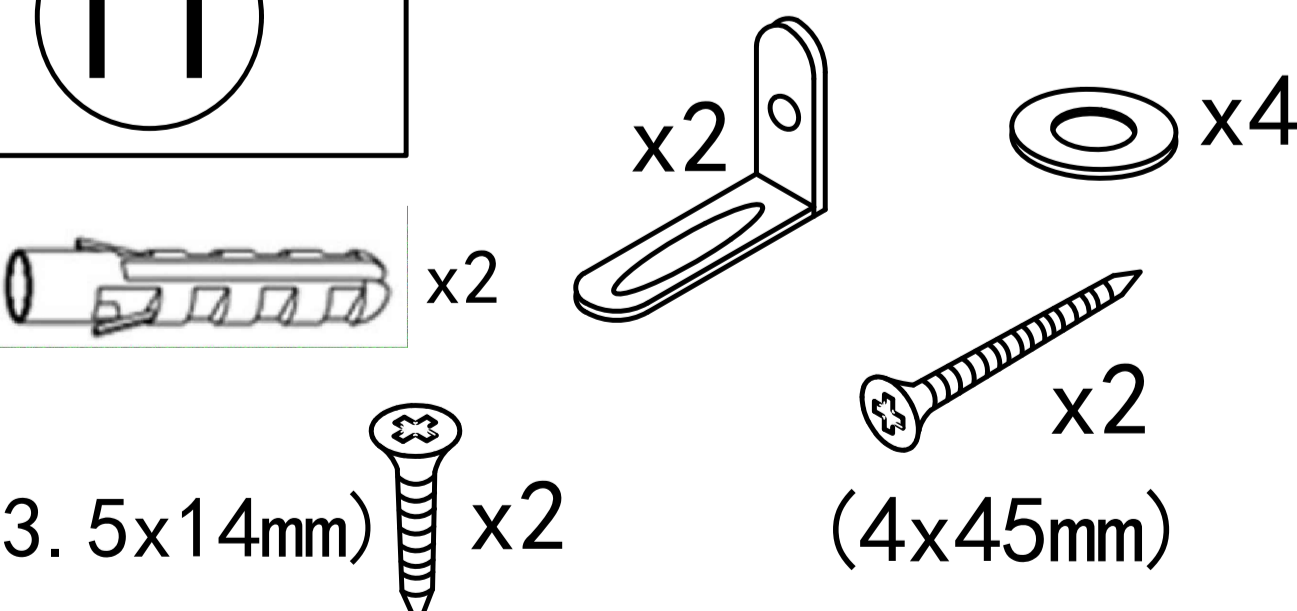
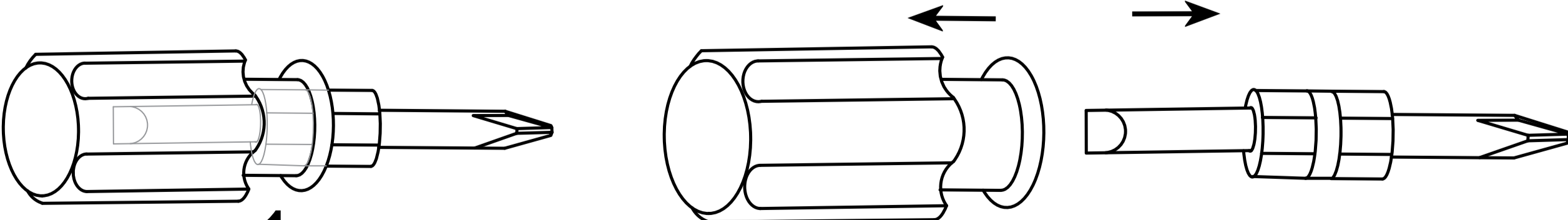



Qx2

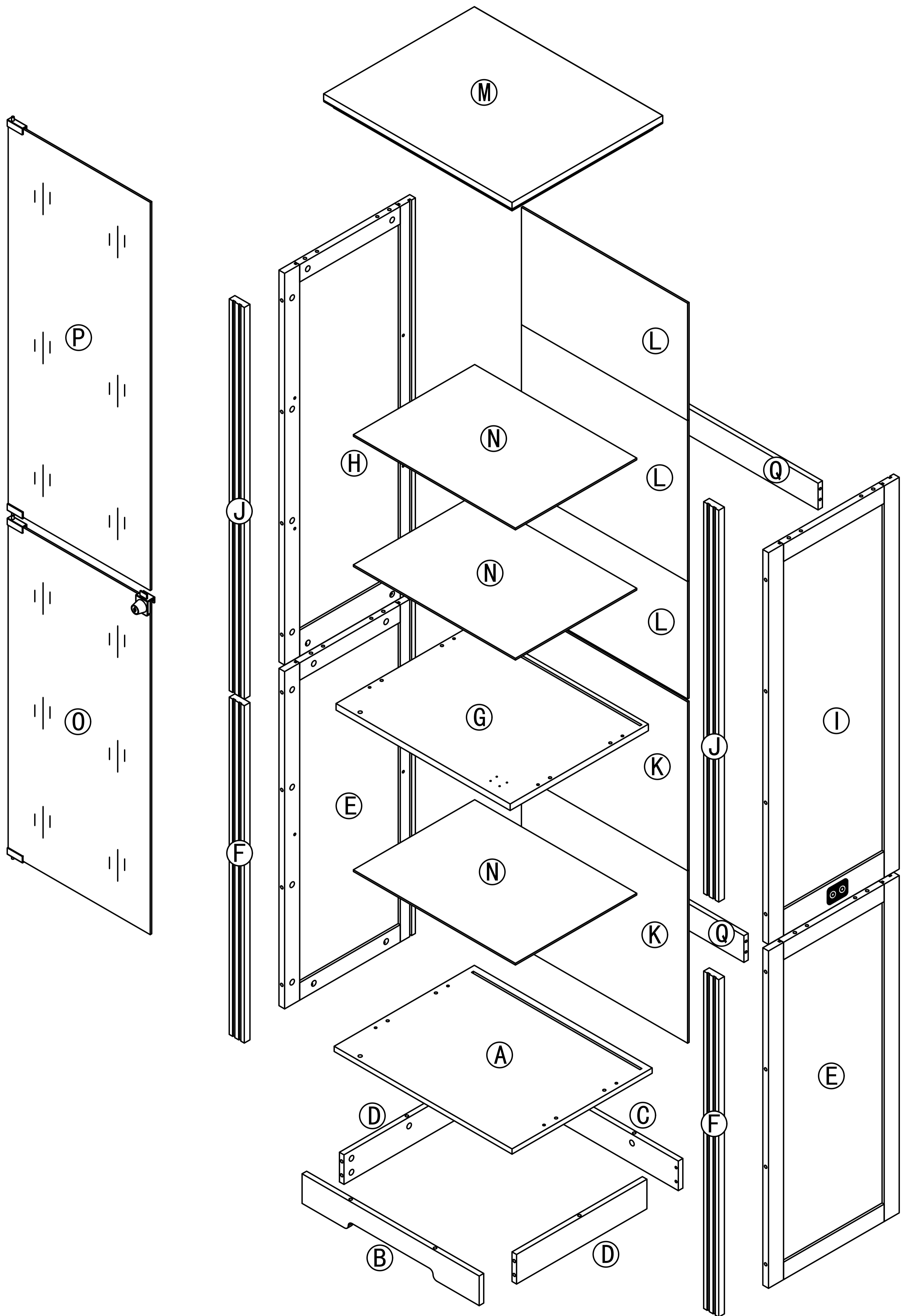


1

Accessories list

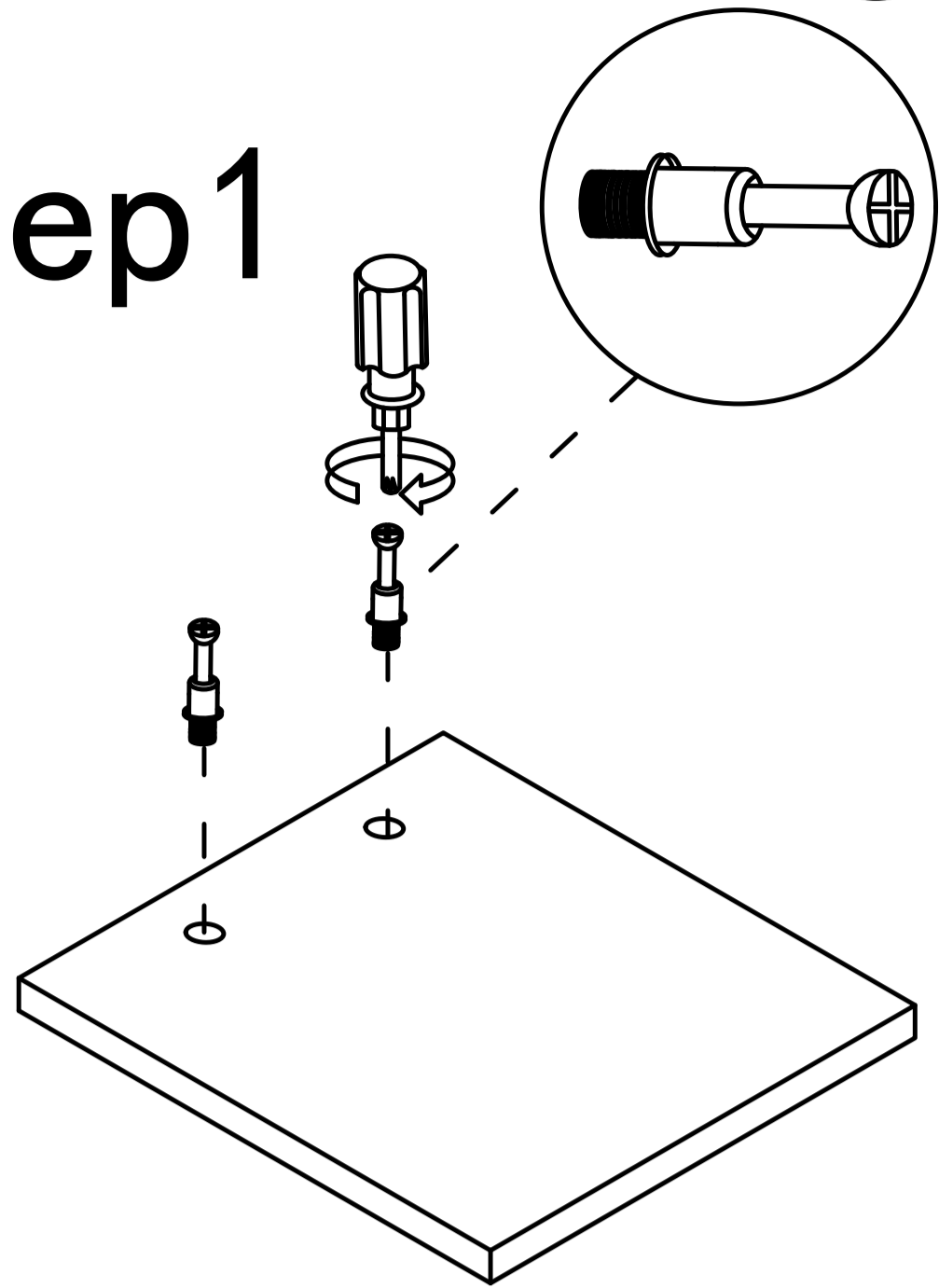
| | | | |
|---|--|--|--|
| ① |  | Two in one screw (6x28mm) | 54pcs +3pcs |
| ② |  | Two in one nut (10x12mm) | 54pcs +3pcs |
| ③ |  | Wood Chipping (6x30mm) | 16pcs +4pcs |
| ④ |  | Non-slip pads | 6pcs |
| ⑤ |  | Fixing clip & screw (3x16mm) | 12pcs +1pcs |
| ⑥ |  | Wire clamp | 3pcs +2pcs |
| ⑦ |  | Laminate Support Nail | 12pcs +2pcs |
| ⑧ |  | Rebound device & Screw (3x16mm) | 8pcs +2pcs 2pcs |
| |  | Iron sheet | 2pcs |
| |  | Rubber ring | 4pcs |
| |  | Hinge | 2pcs 2pcs |
| ⑨ |  | Backboard card strip | 3pcs |
| ⑩ |  | Double door glass lock | 2pcs 1pcs |
| | | Key | |
| ⑪ |  | AC/DC Adapter (12V=2.0A) | 1pcs |
| | <p>Anti Fall Hardware</p>  <p>(3.5x14mm) x2 x2 x2 x4 x2 x2 (4x45mm)</p> | <p>Double-head screwdriver, use as required</p>  <p>1pcs</p> | |
| | | |  <p>2</p> |

Product structure decomposition

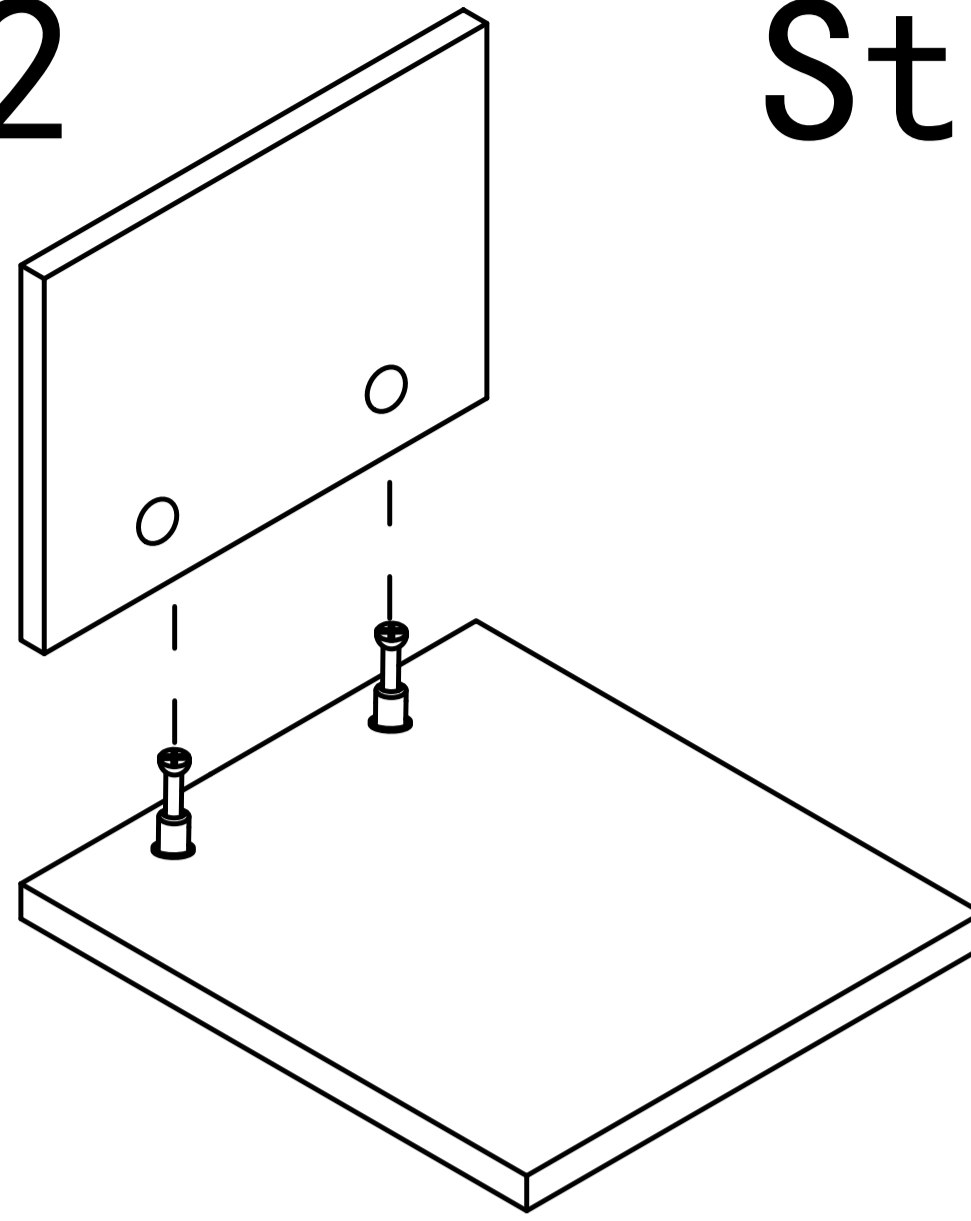


Use parts ① and ②

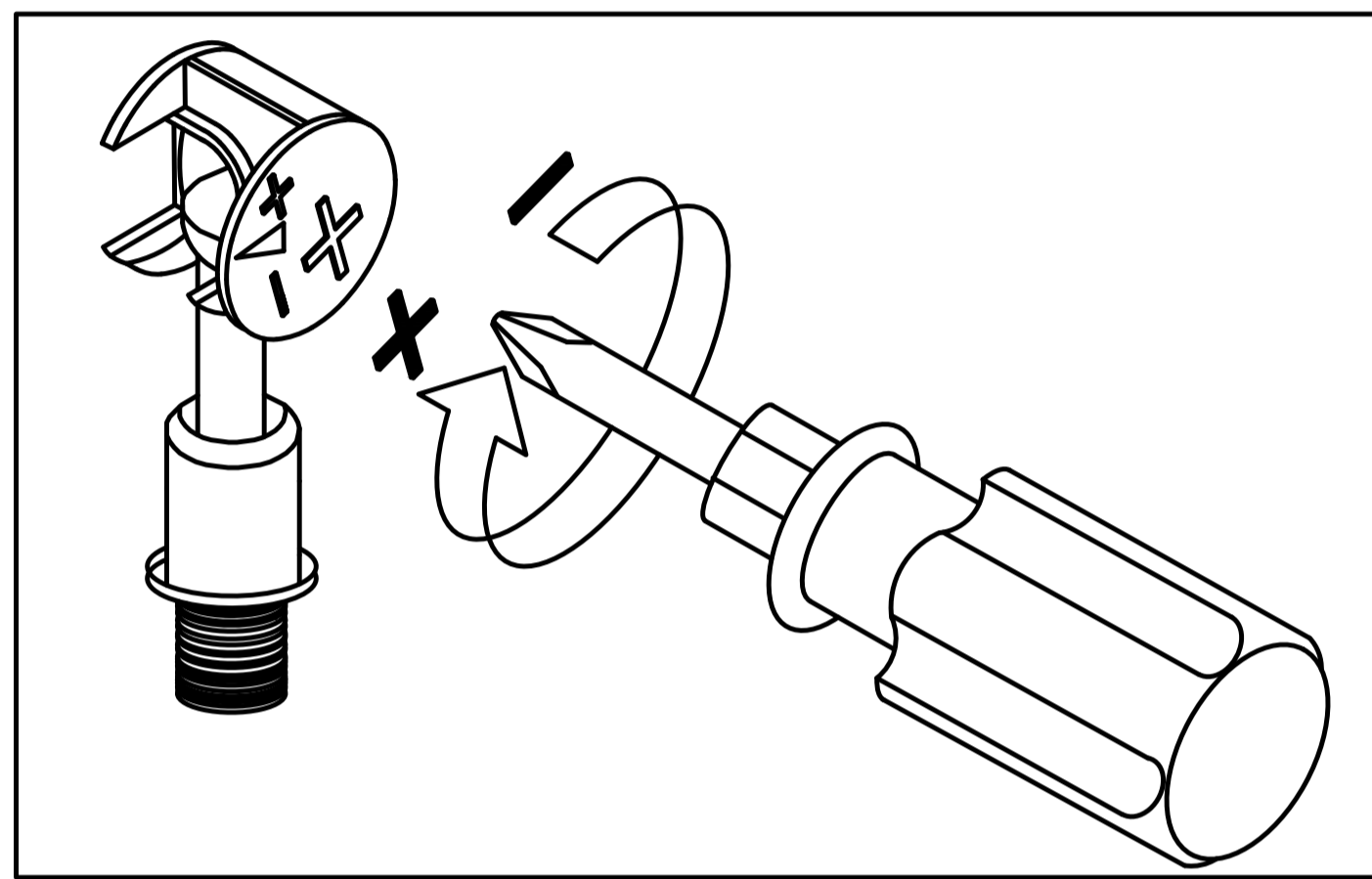
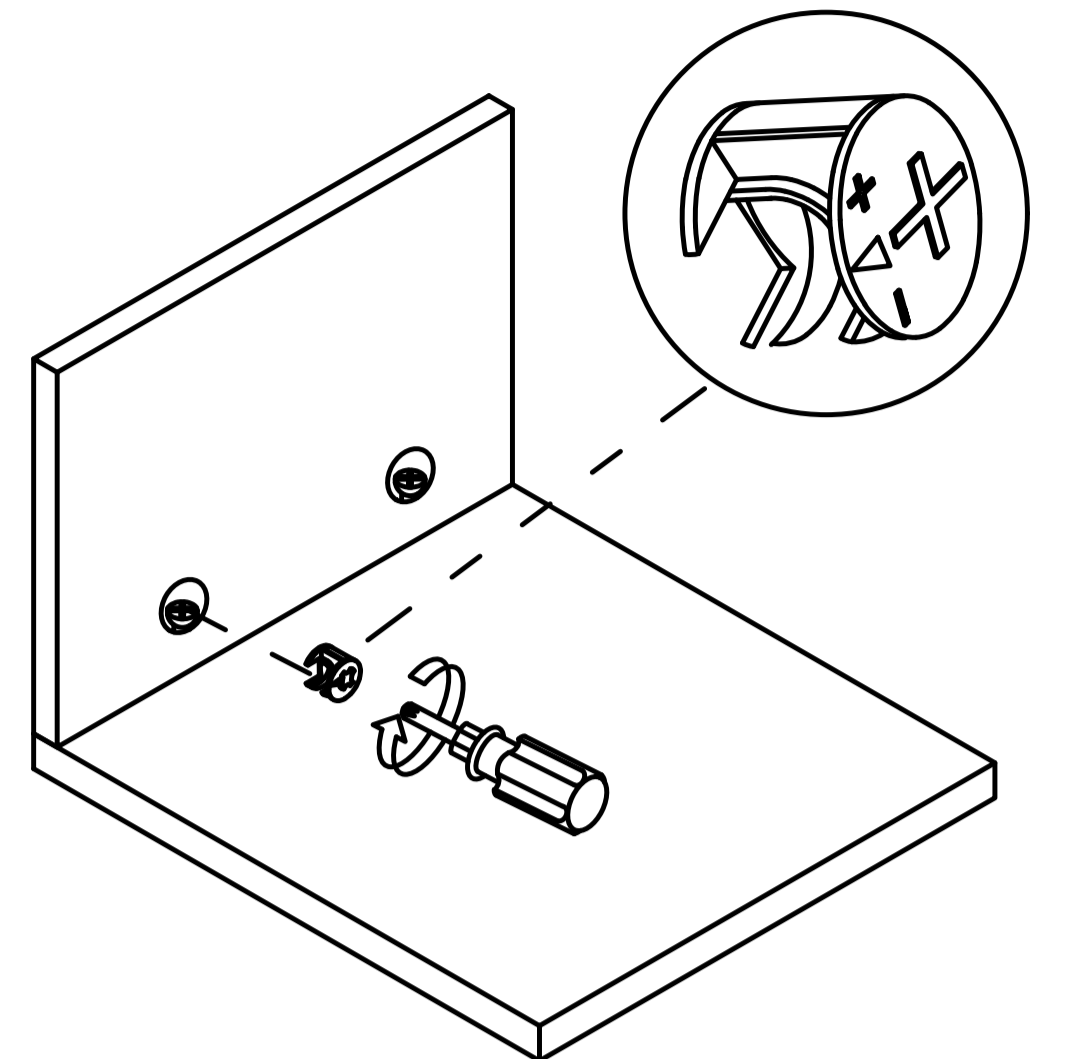
Step1



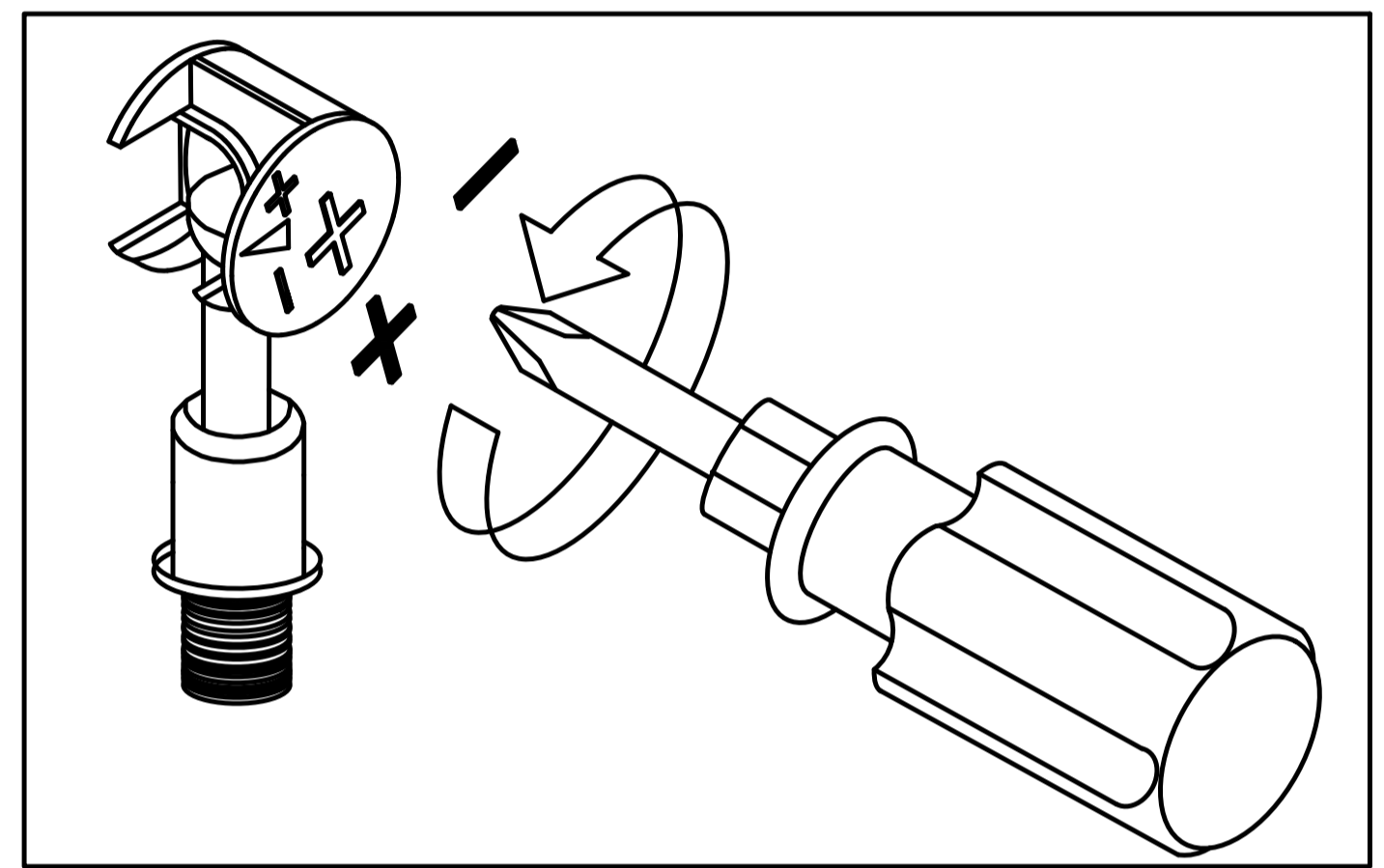
Step2



Step3

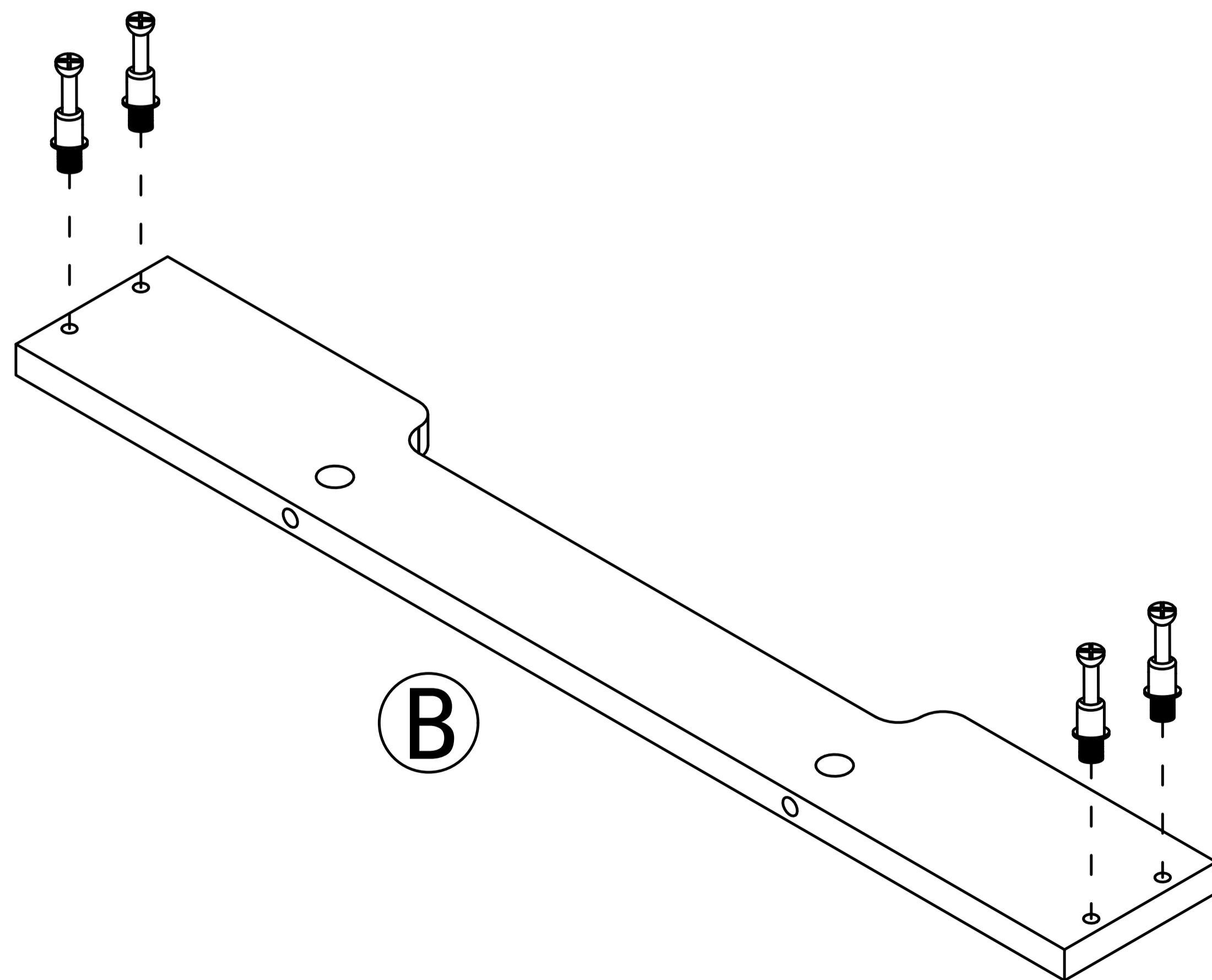
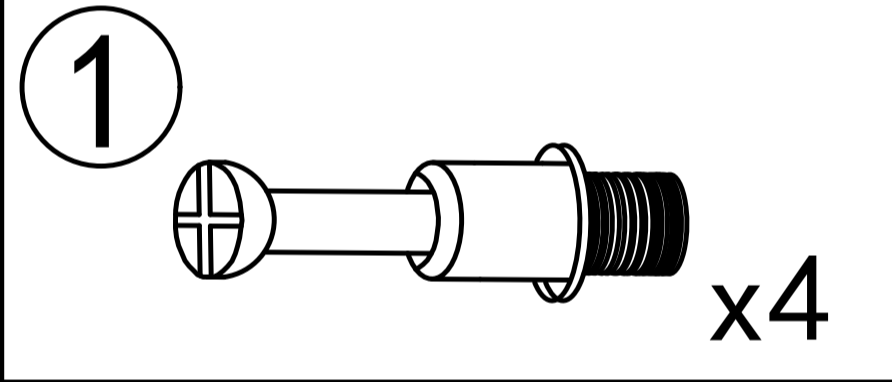


Use a screwdriver to lock in the direction of the "+" sign

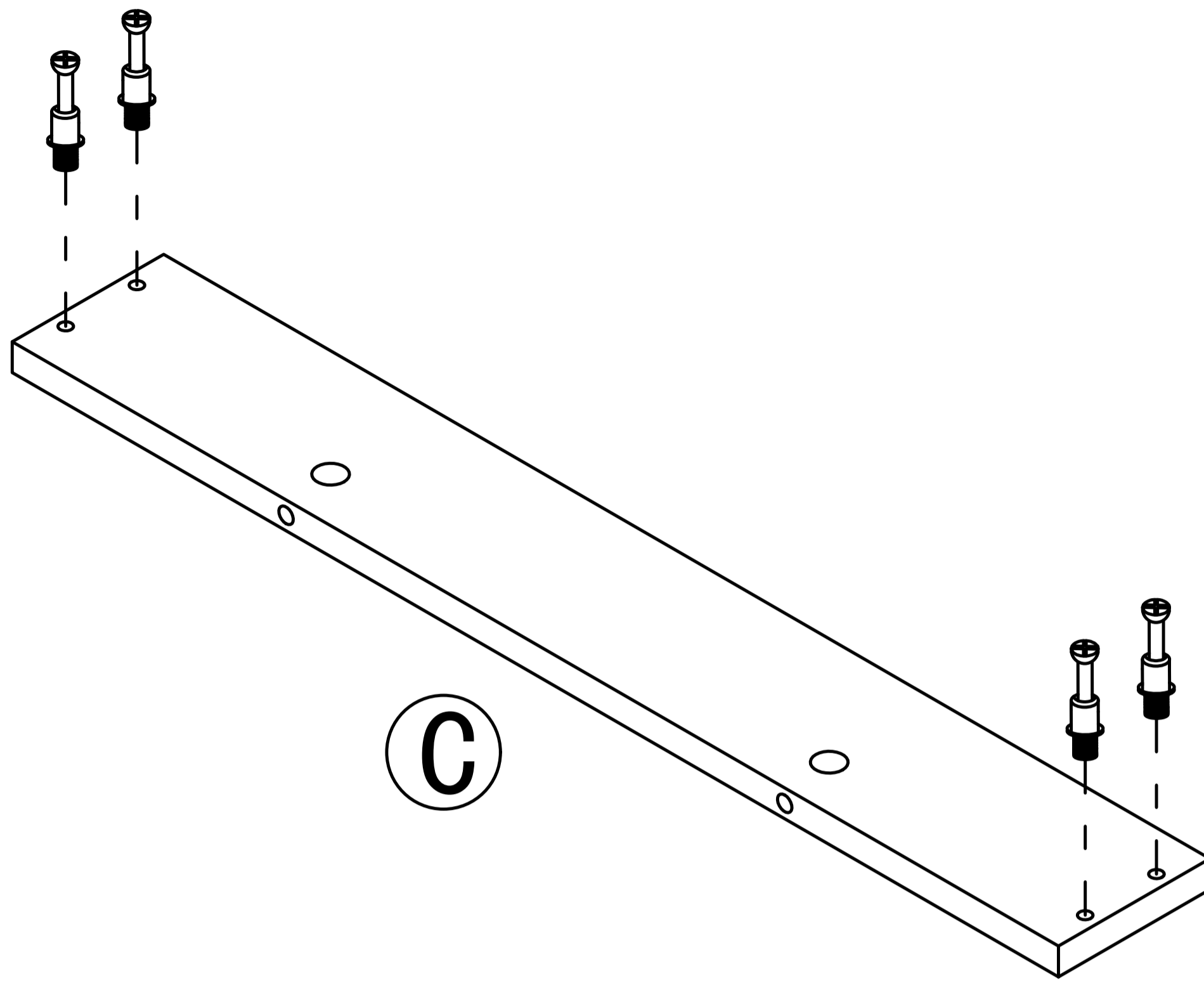
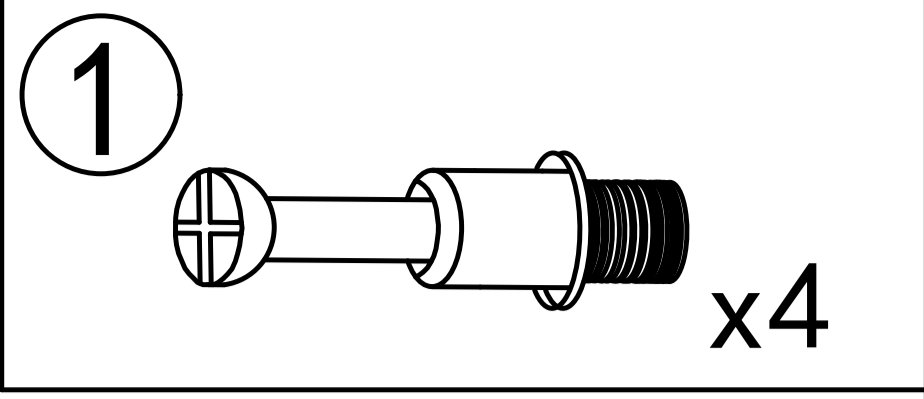


Disassemble along the direction of "-" sign

Step 1

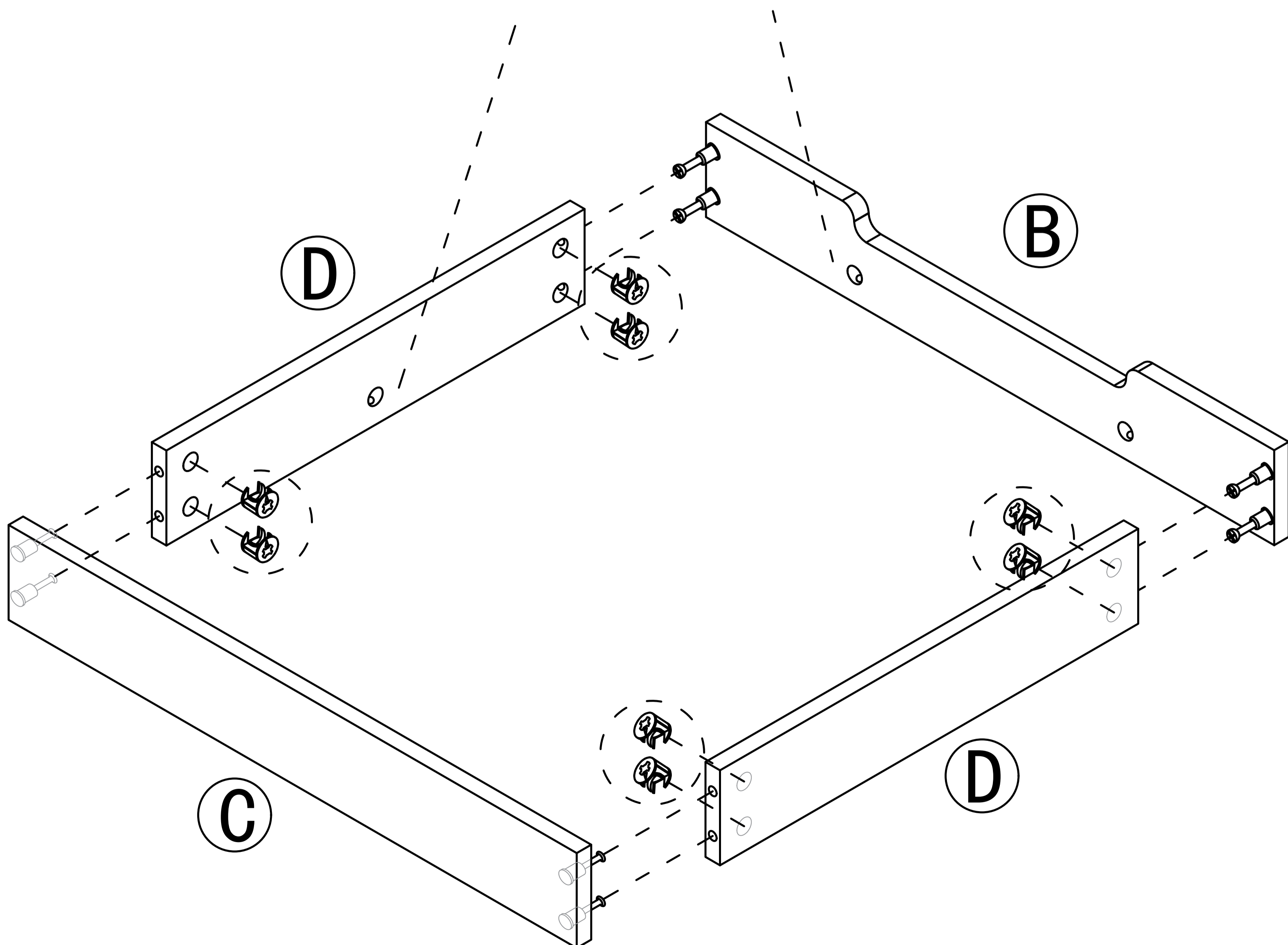
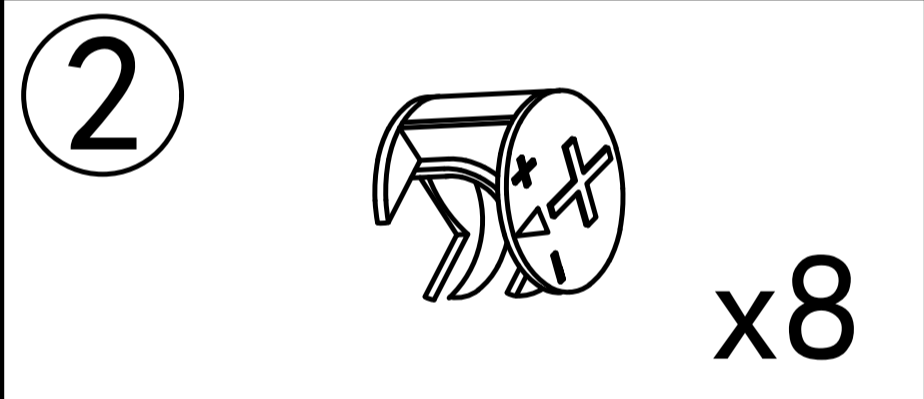


Step 2

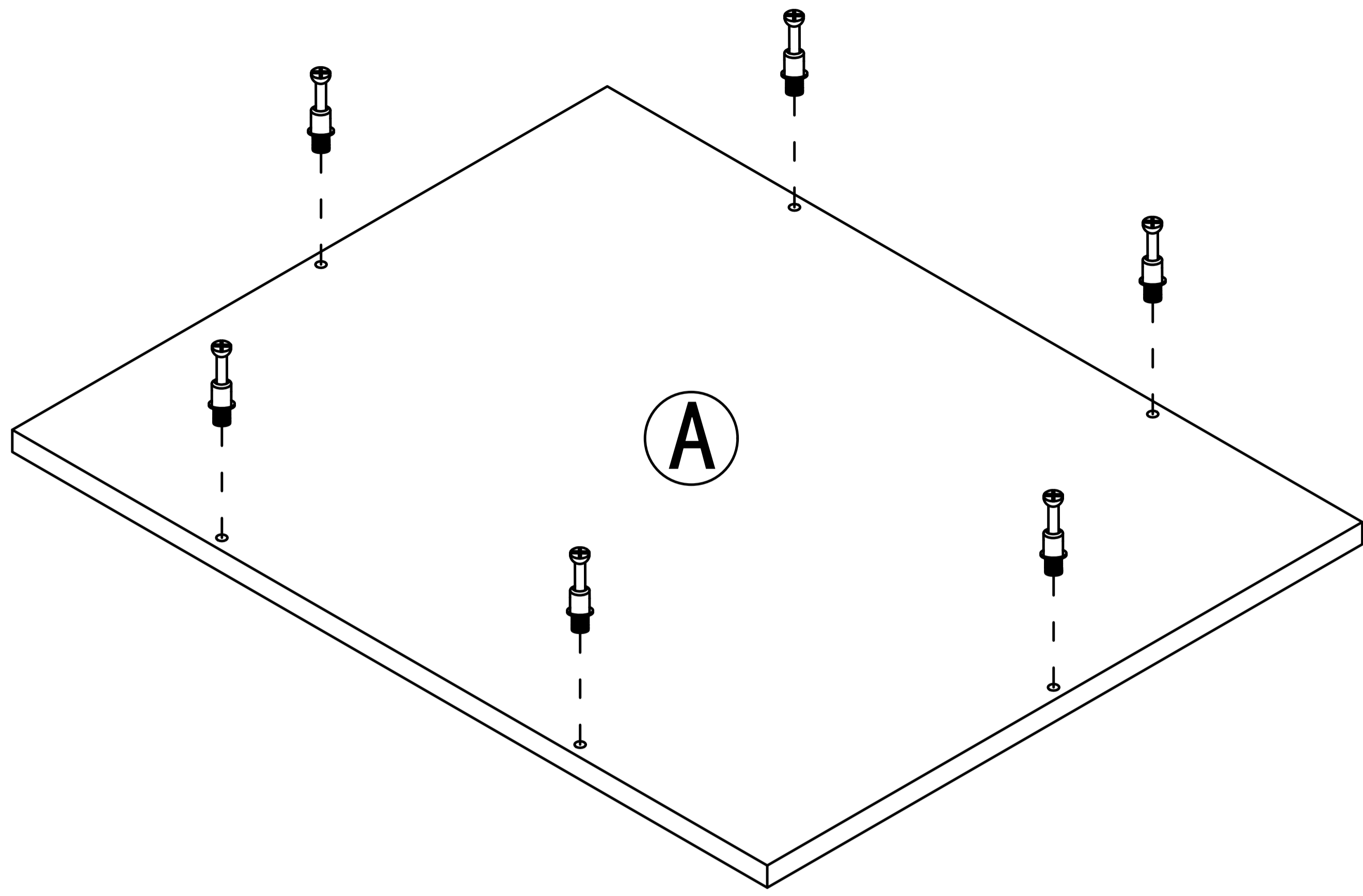
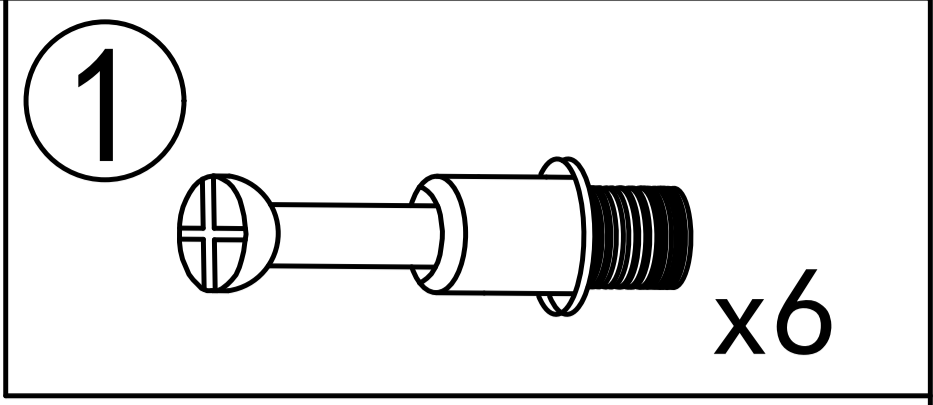


Step 3

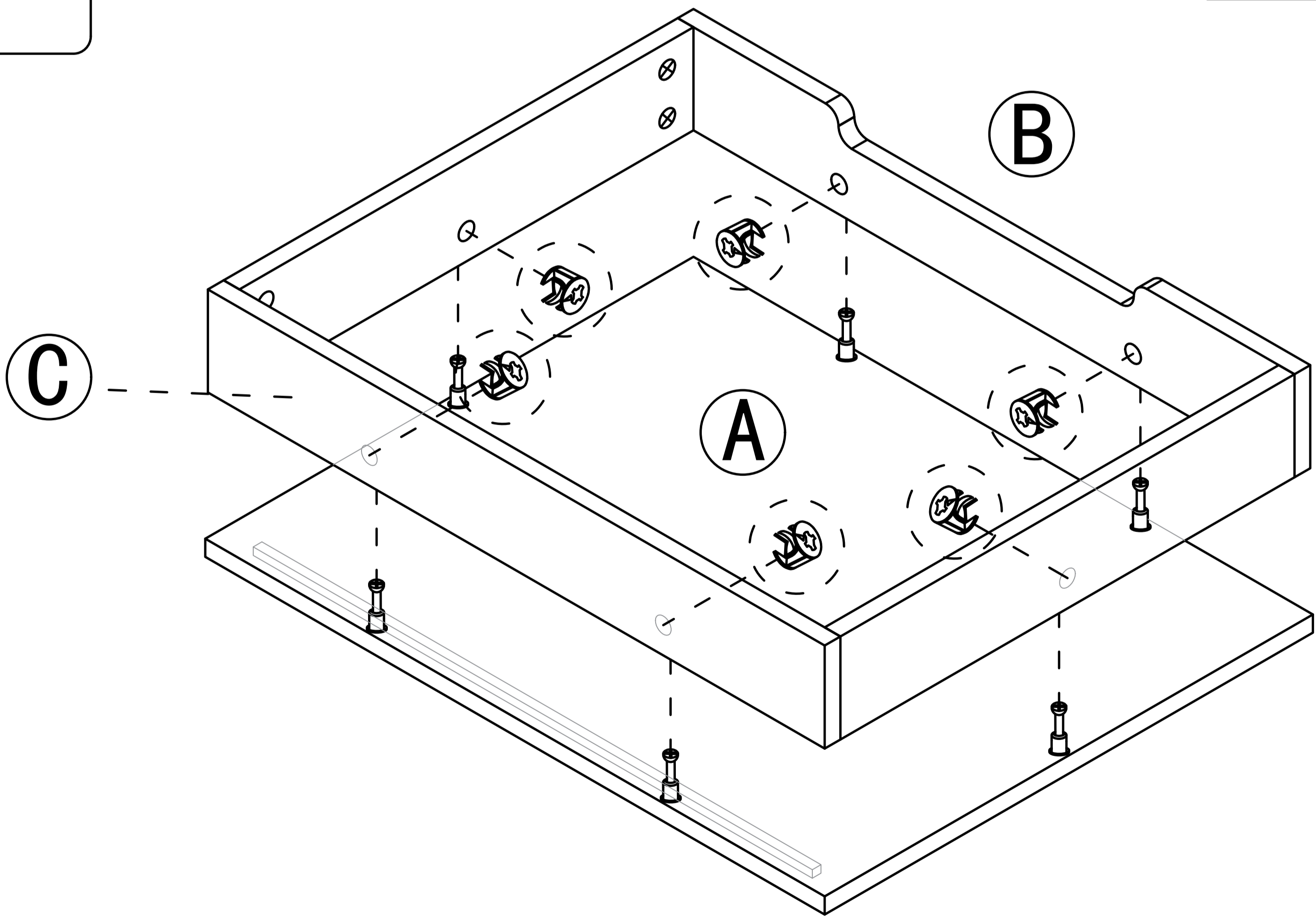
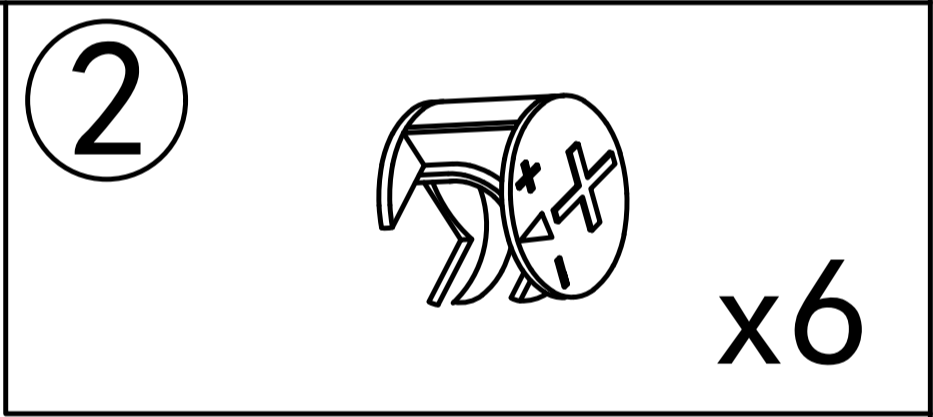
Attention: The holes on all four boards are facing downwards



Step 4

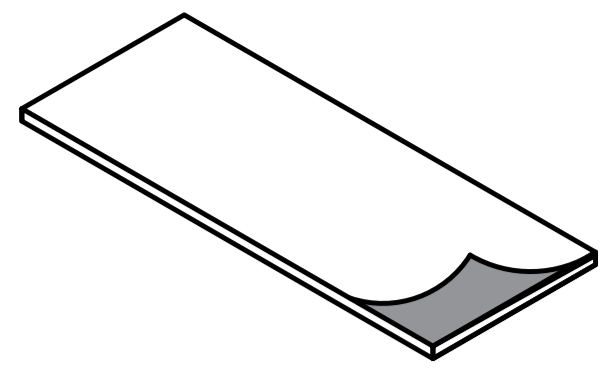


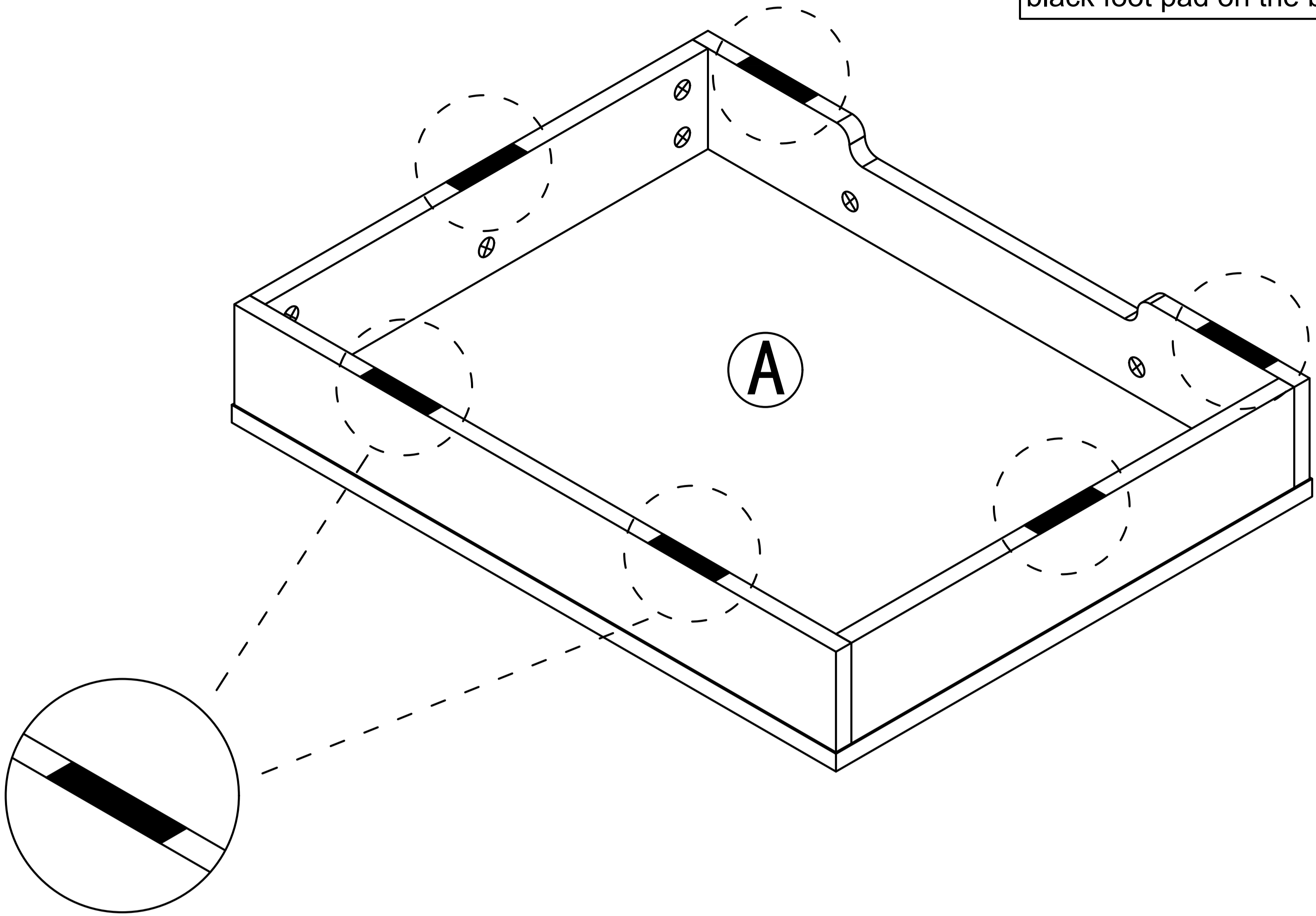
Step 5



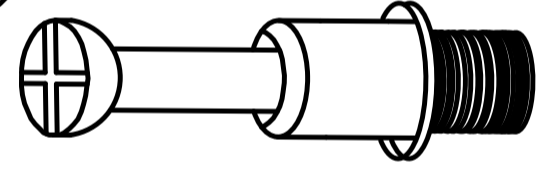

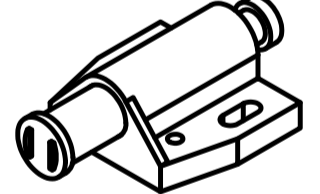
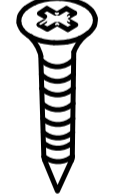
Attention: There is a groove behind the C board in the position where the C board is installed

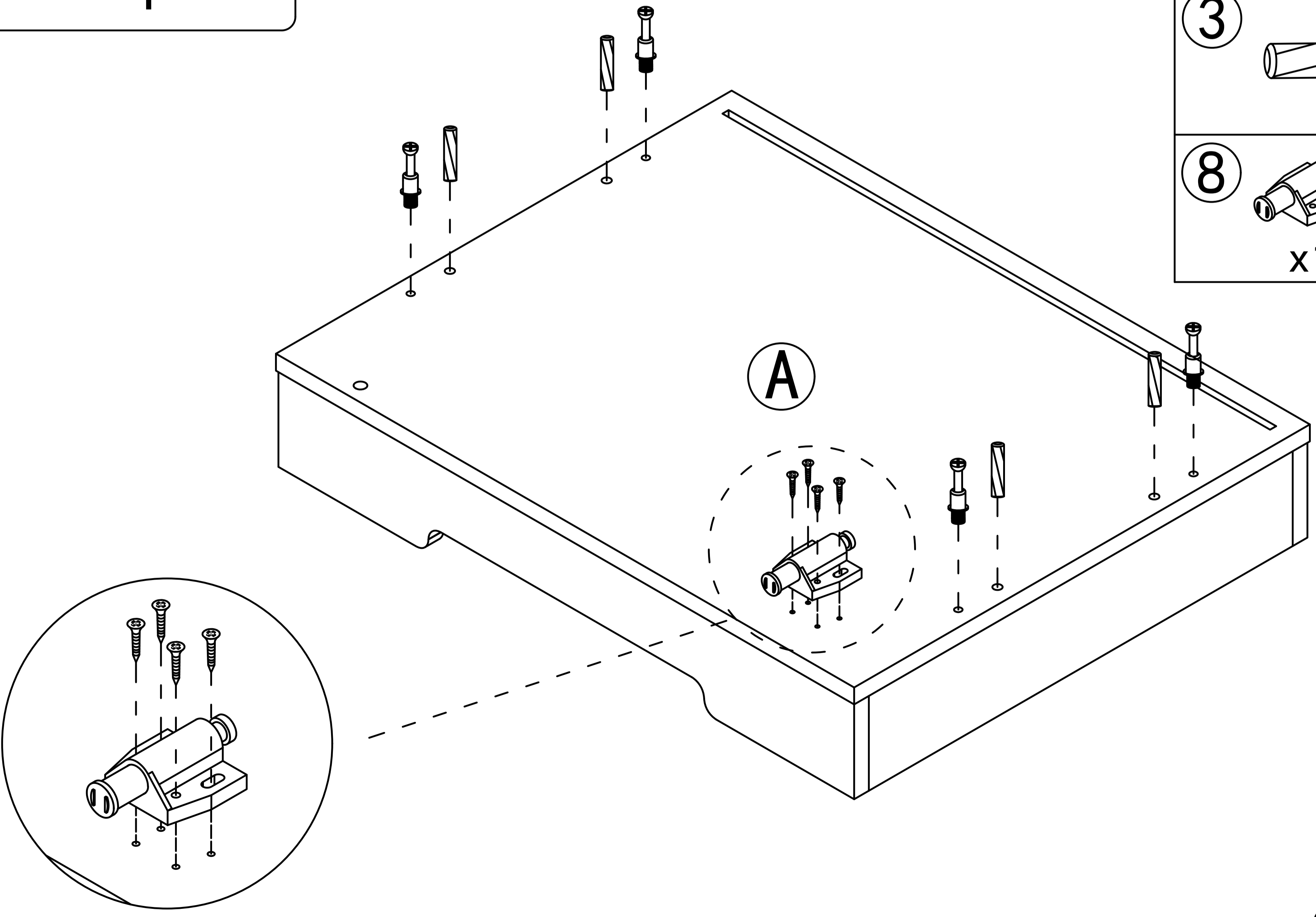
Step 6

4  x6
Tear off release paper and stick the black foot pad on the board

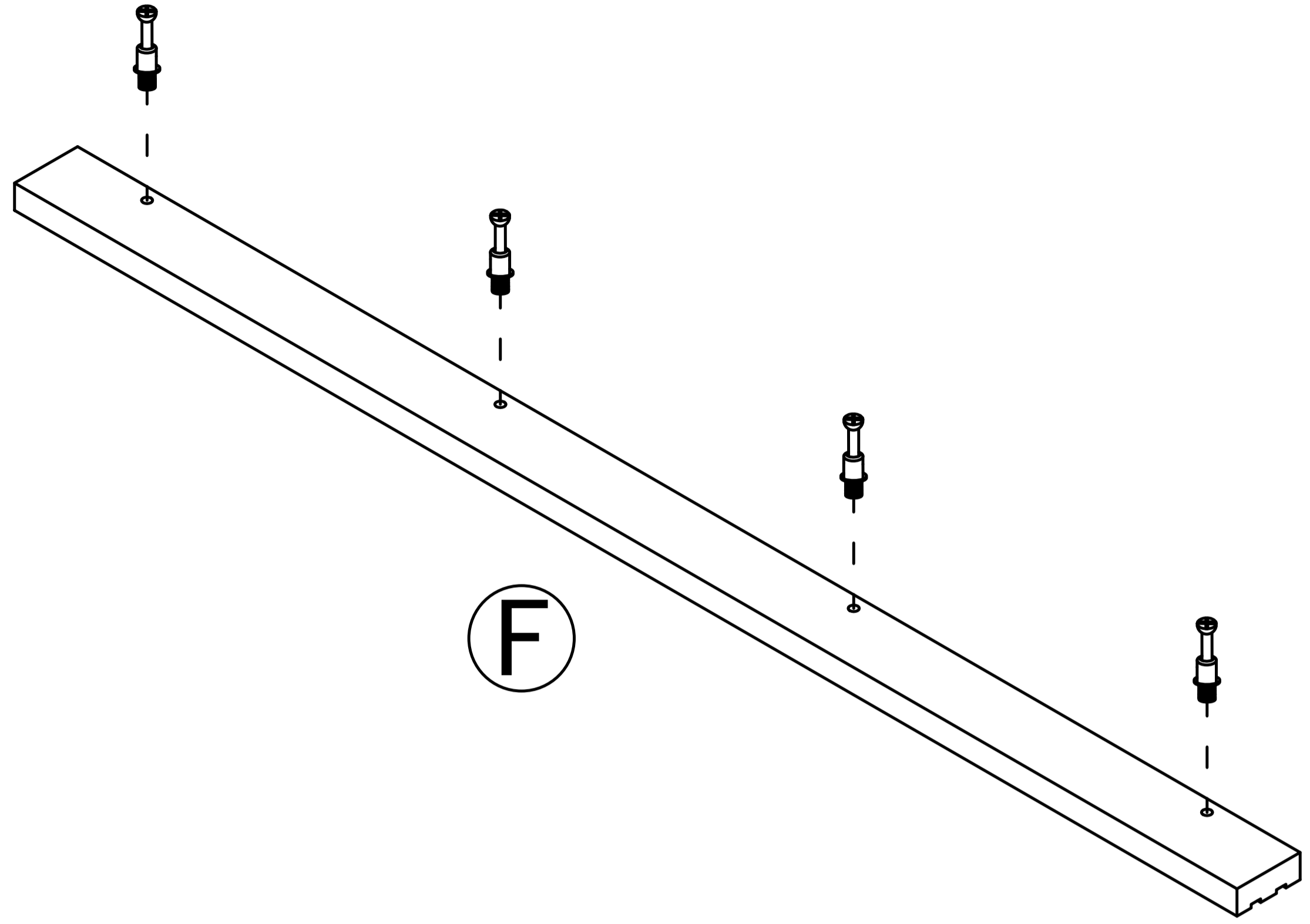
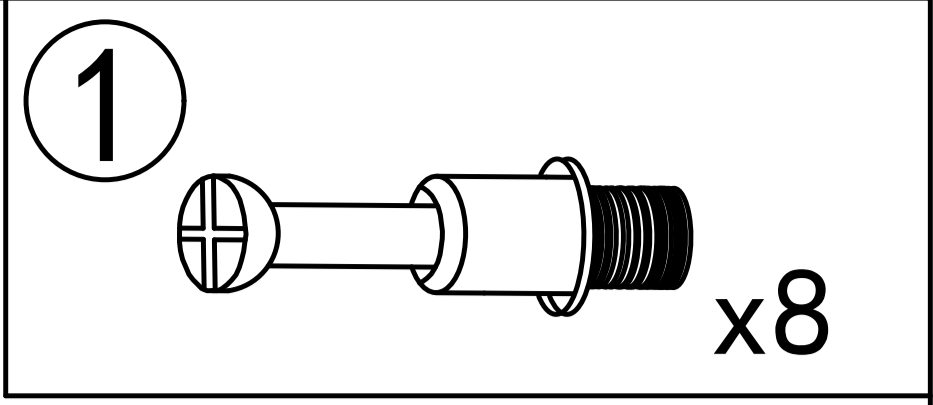


Step 7

1  x4
3  x4
8  x1  x4

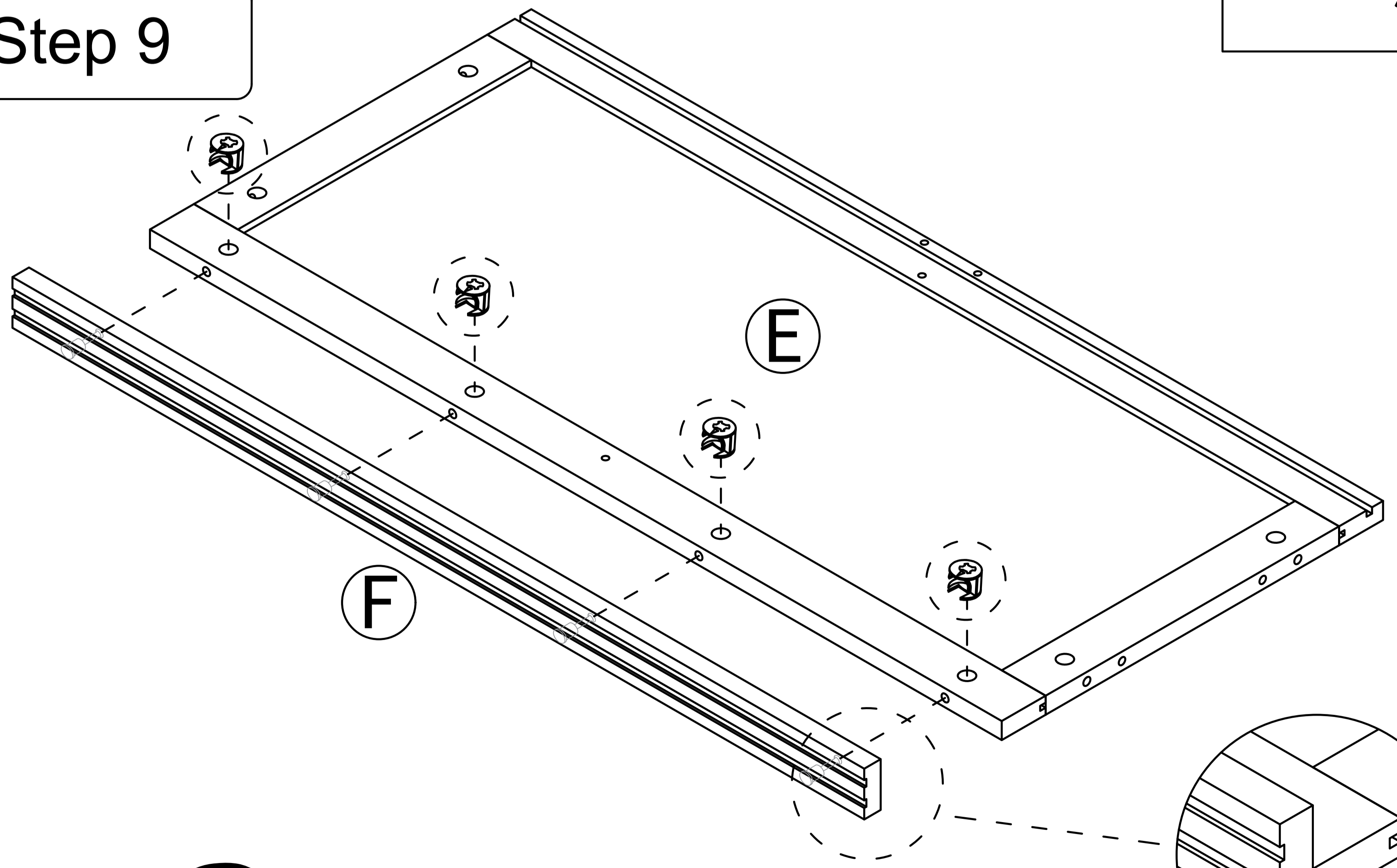
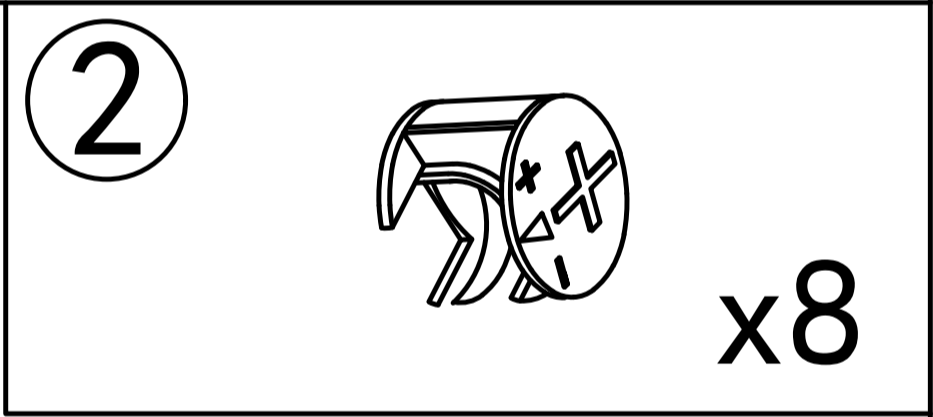


Step 8

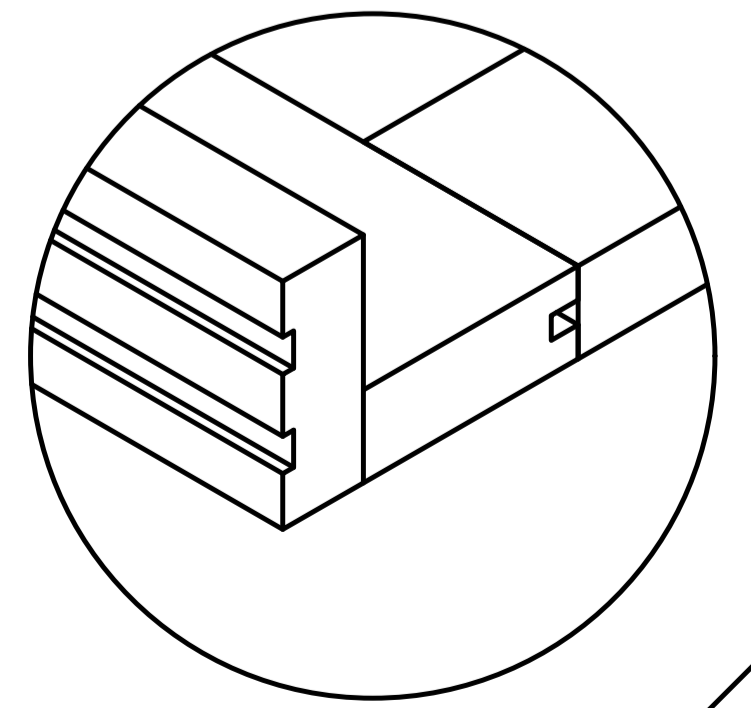


x2

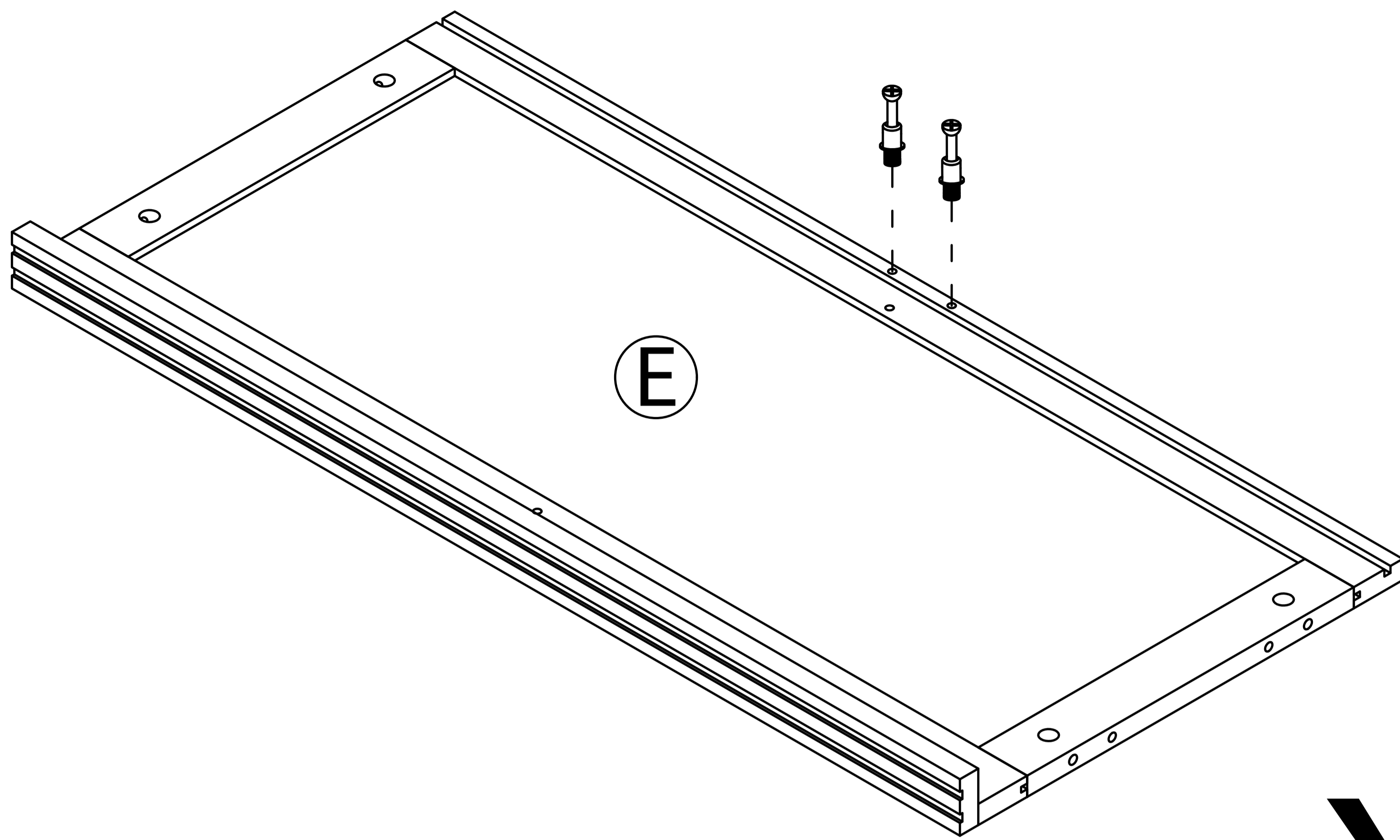
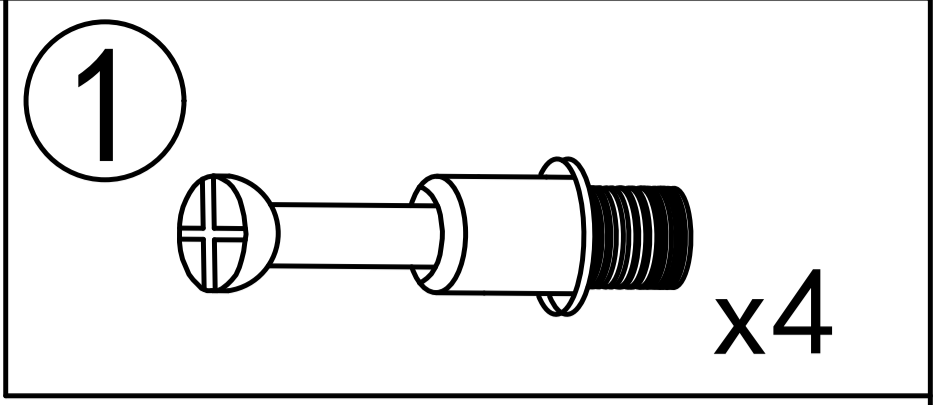
Step 9



x2

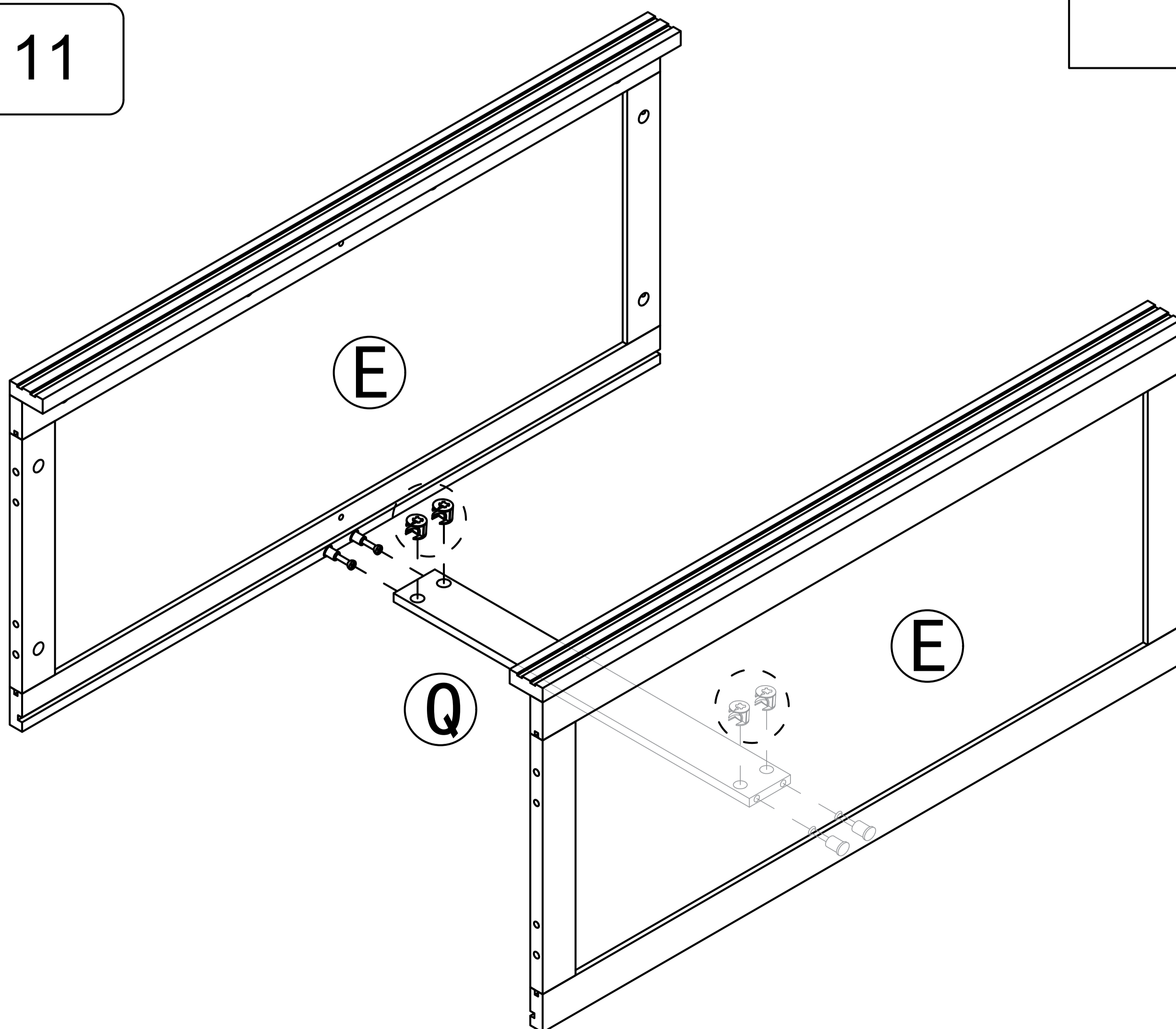
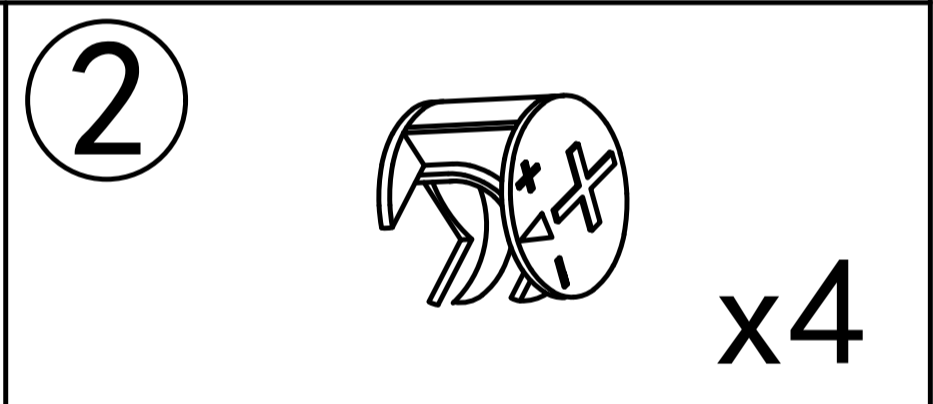


Step 10



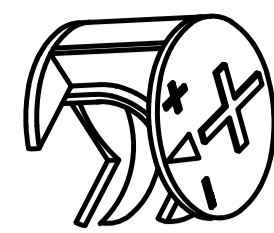
x2

Step 11

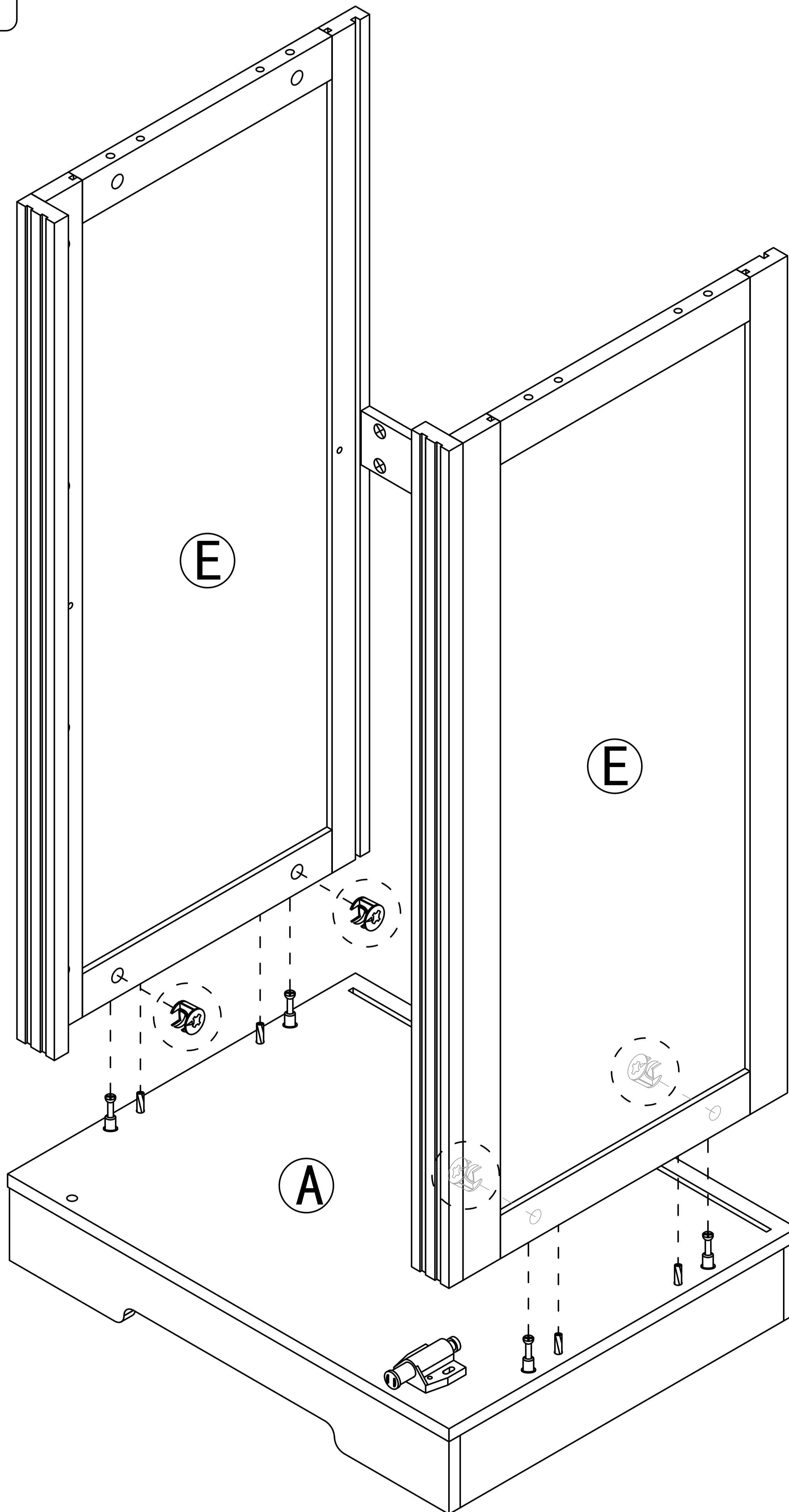


Step 12

2


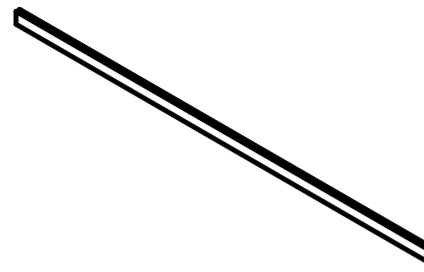


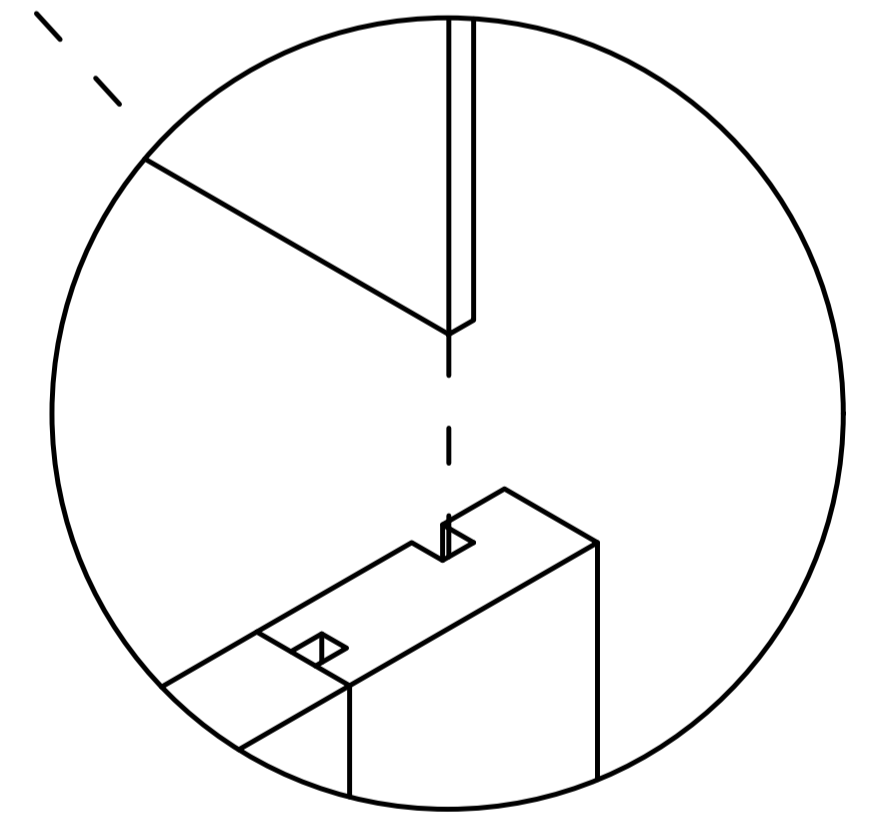
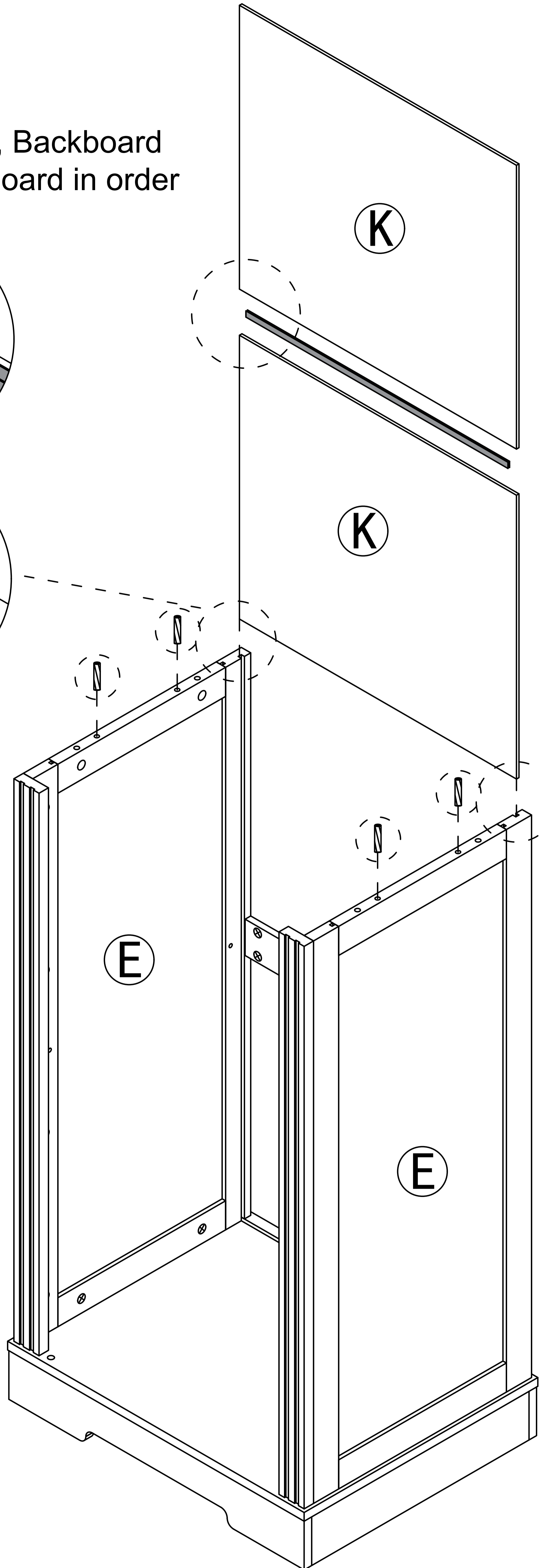
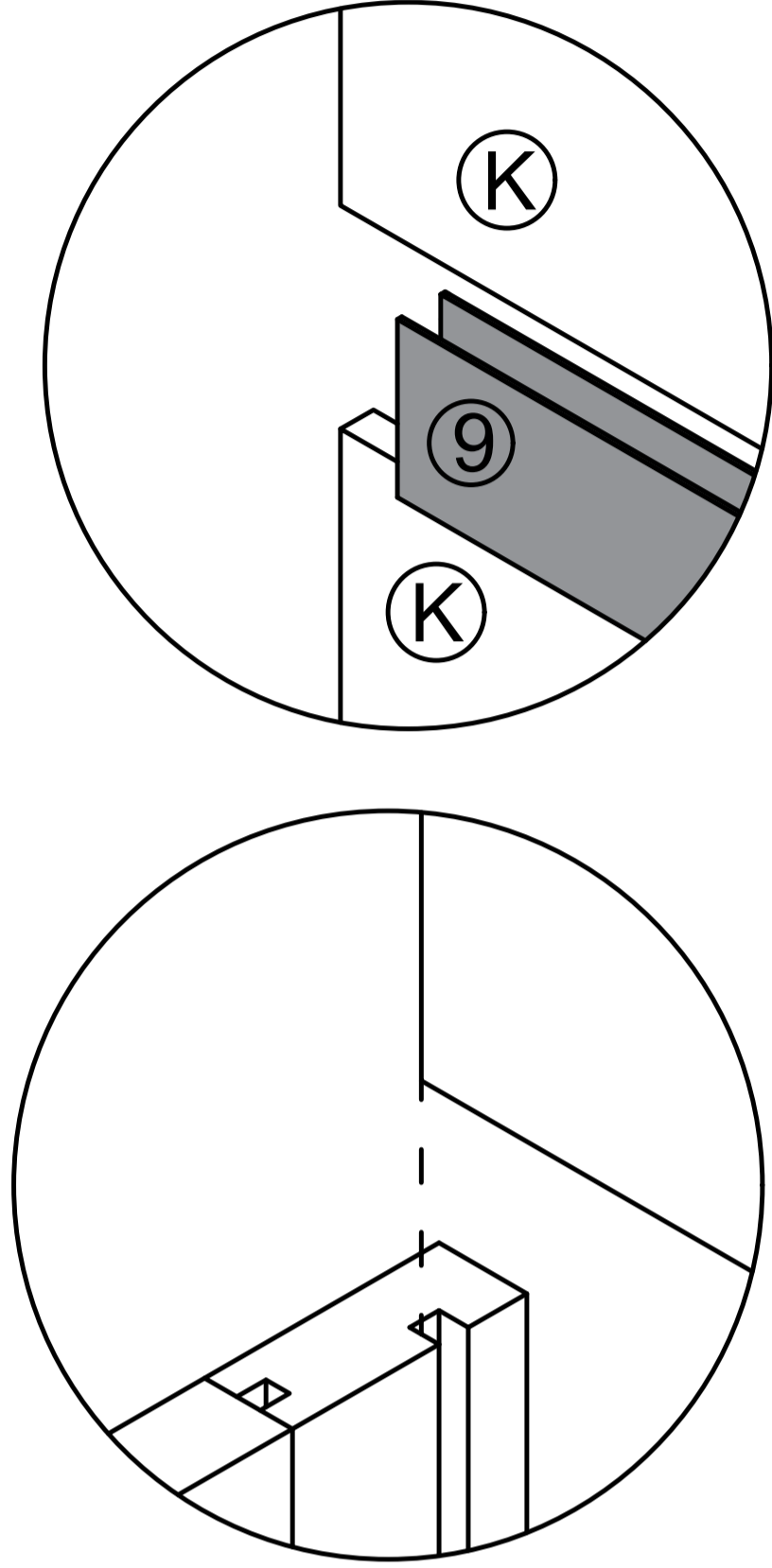
x4



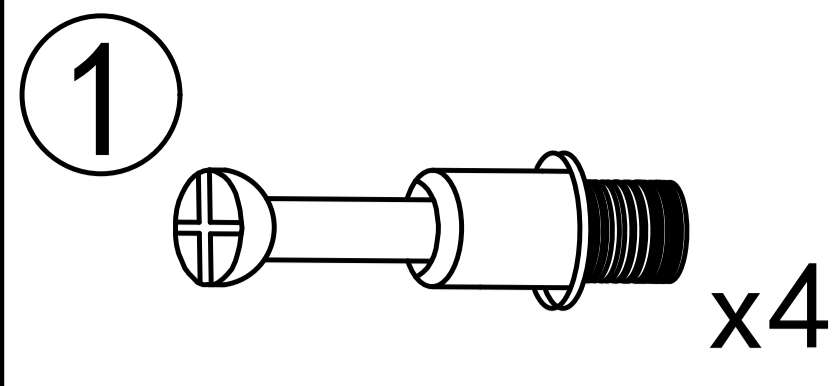
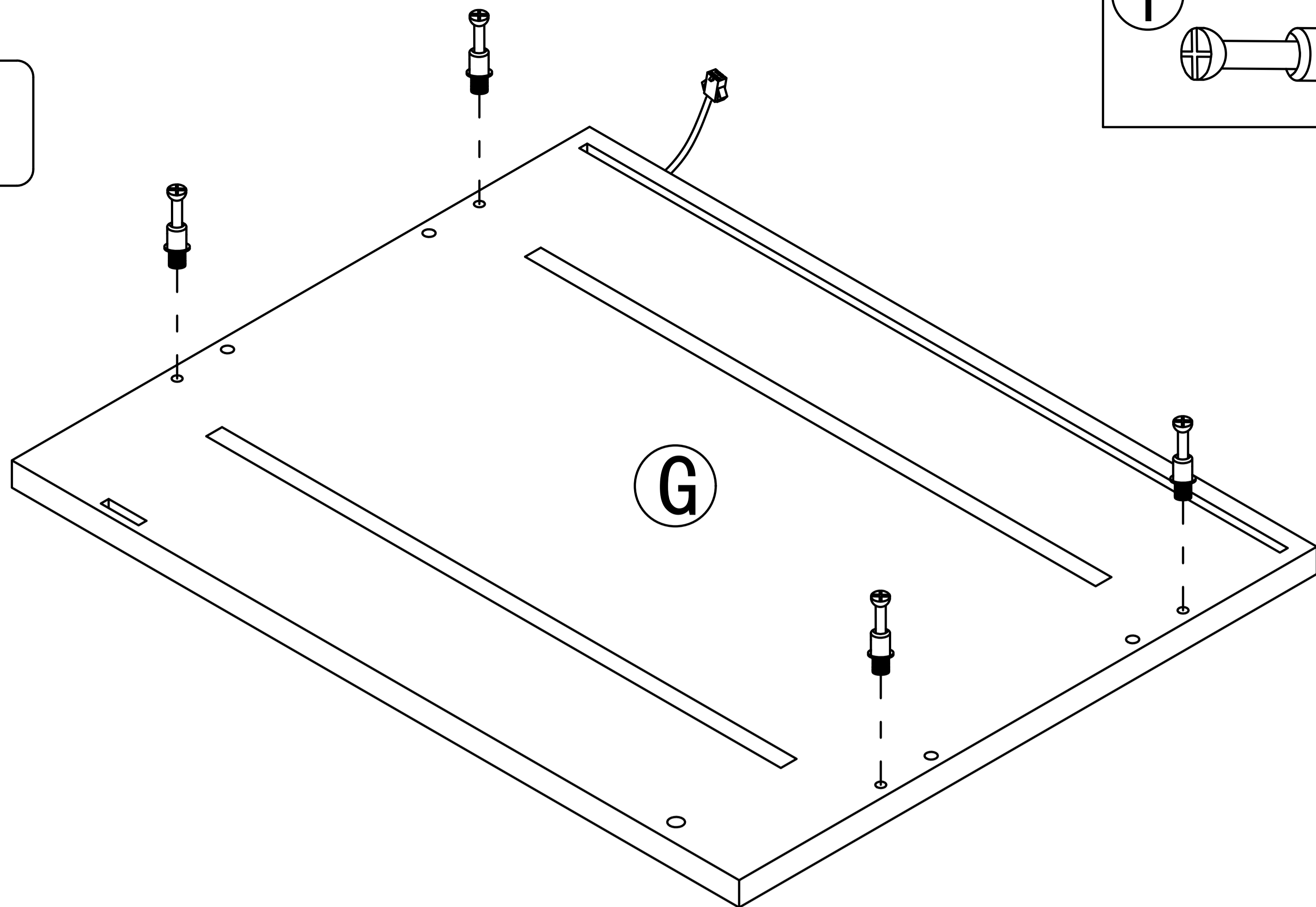
Step 13

Place the "K" board, Backboard card strip, and "K" board in order

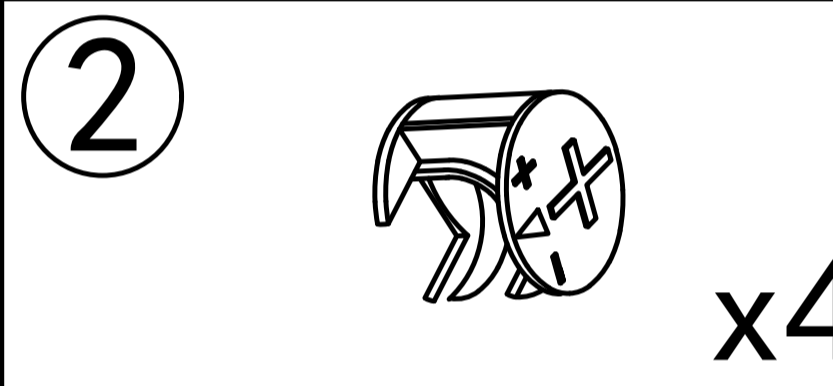
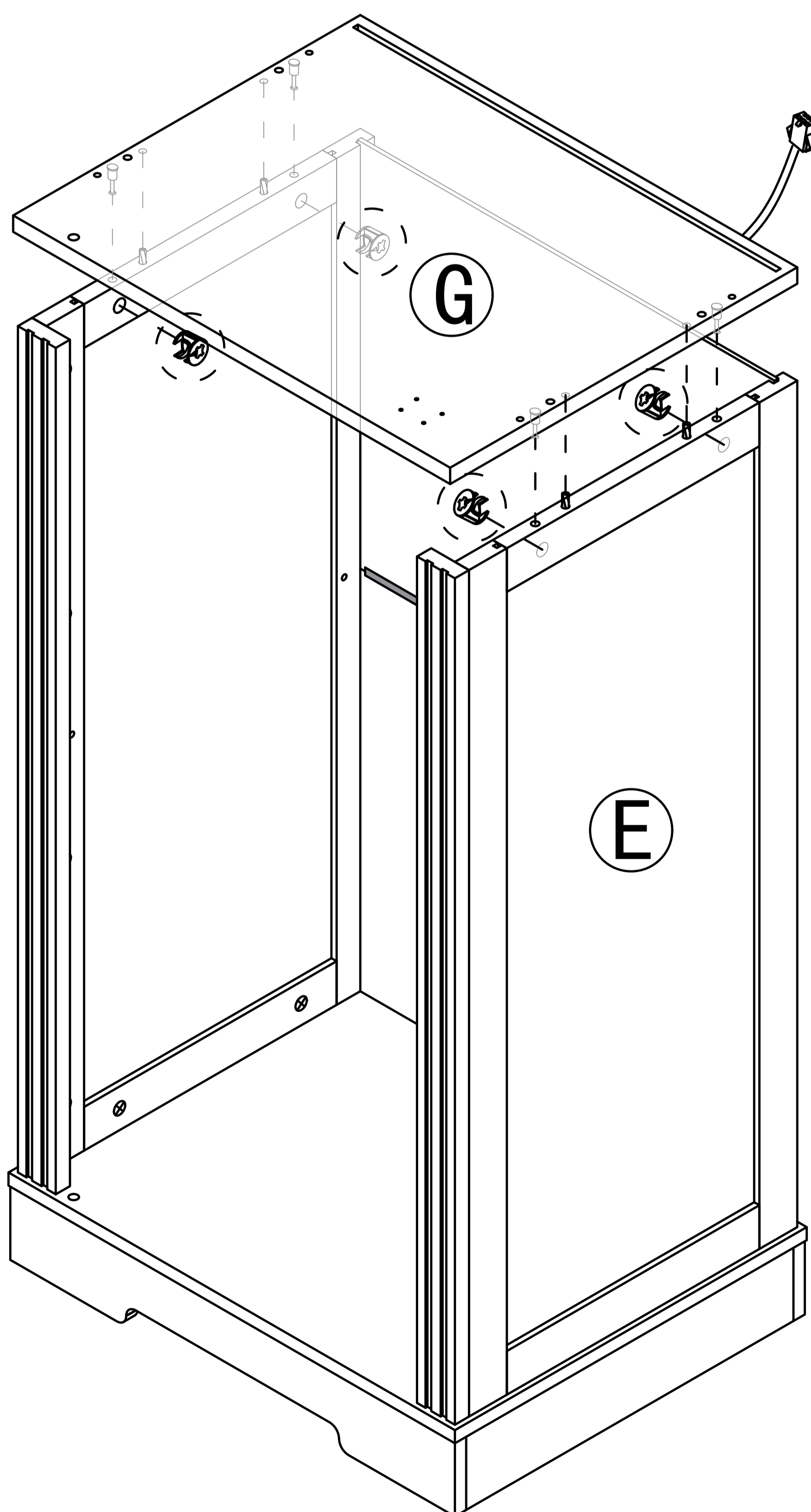
- ③  x4
- ⑨  x1



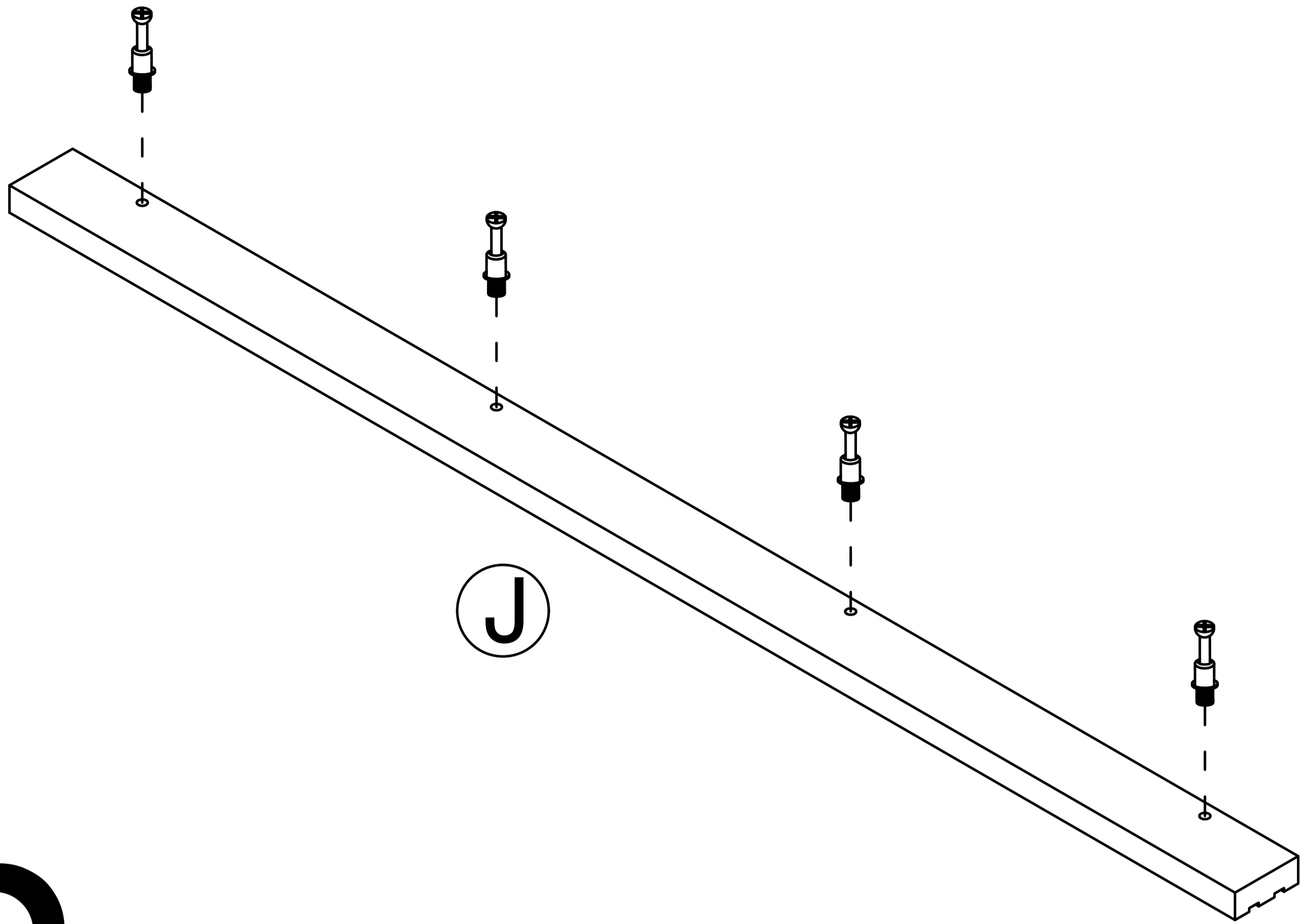
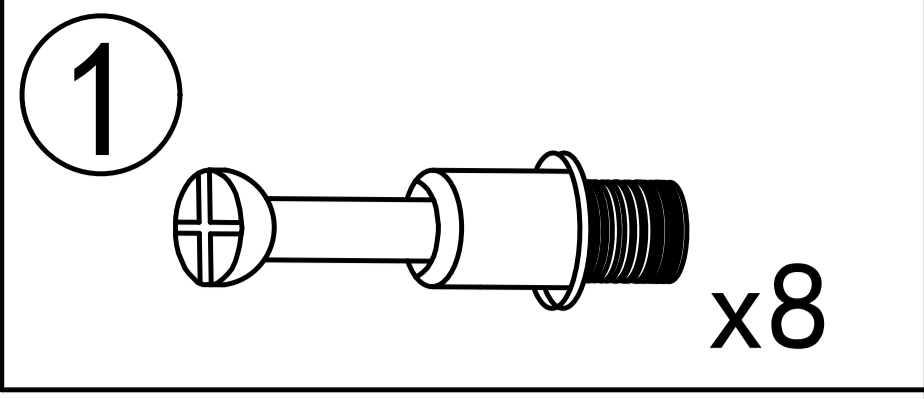
Step 14



Step 15

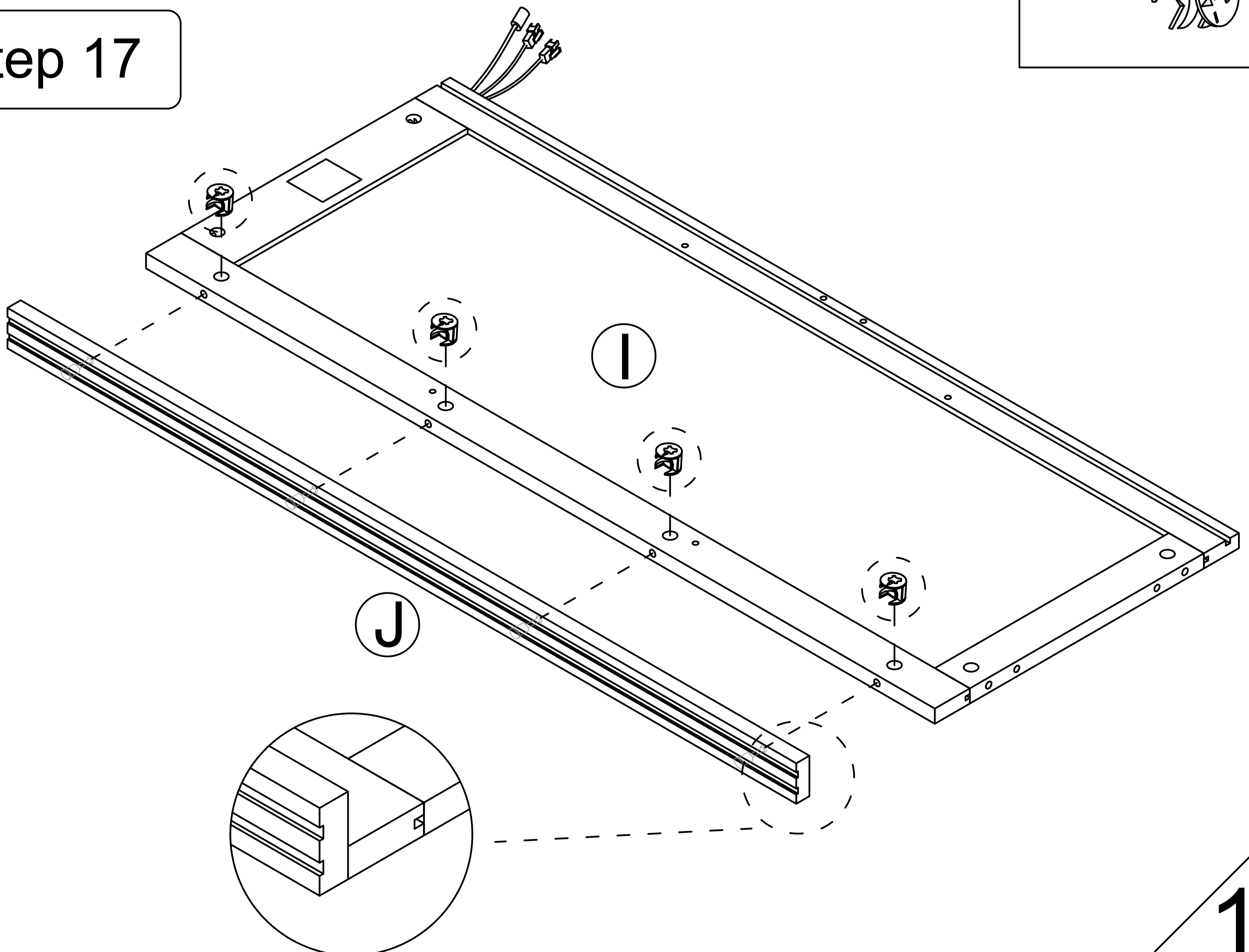
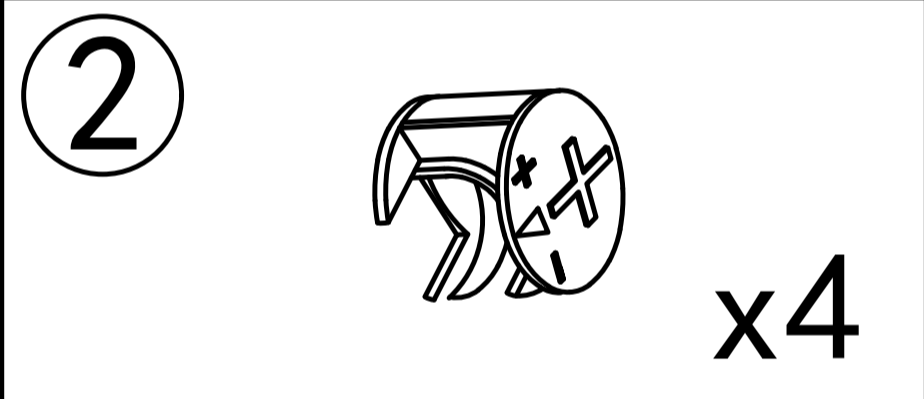


Step 16

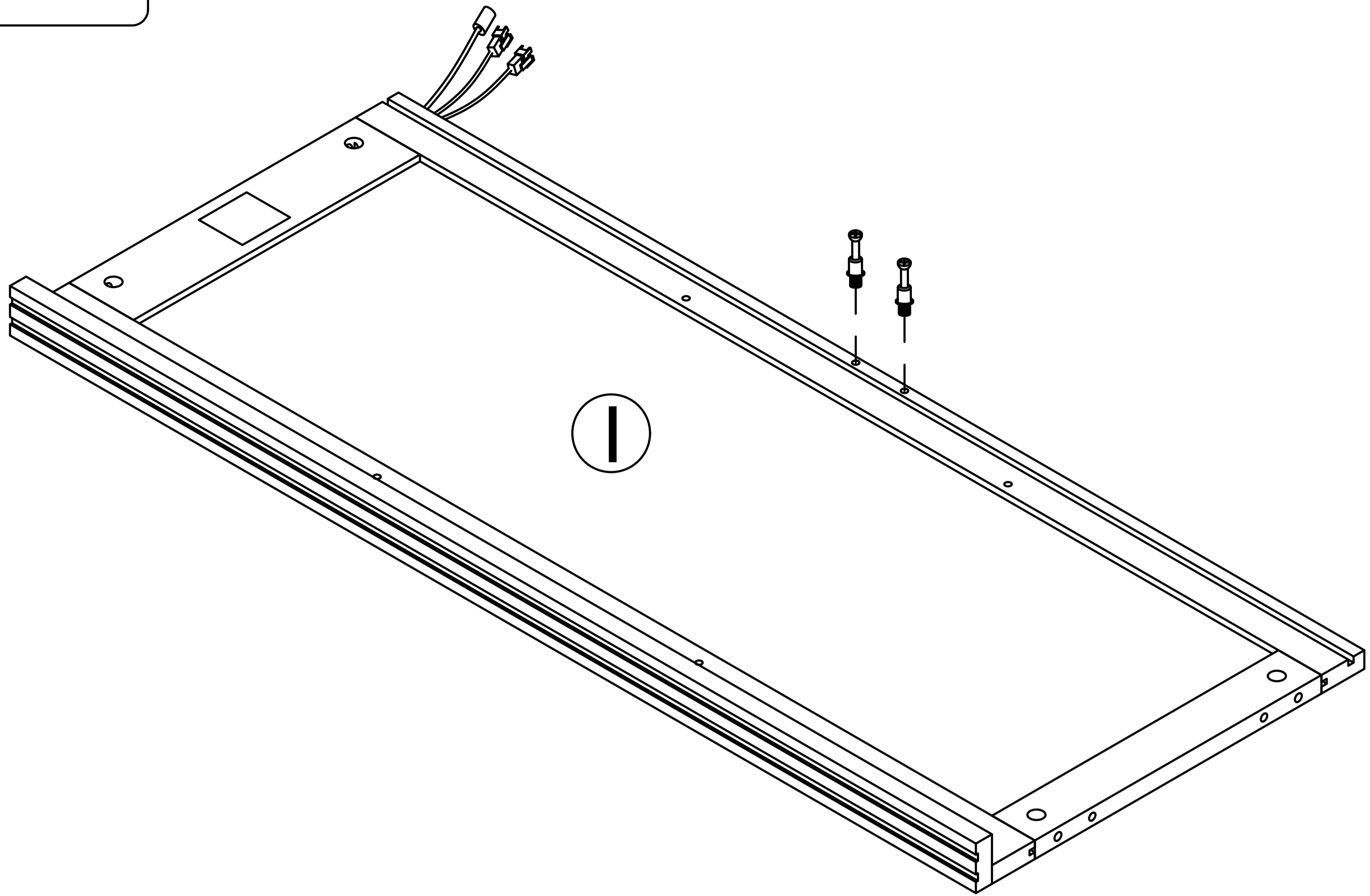
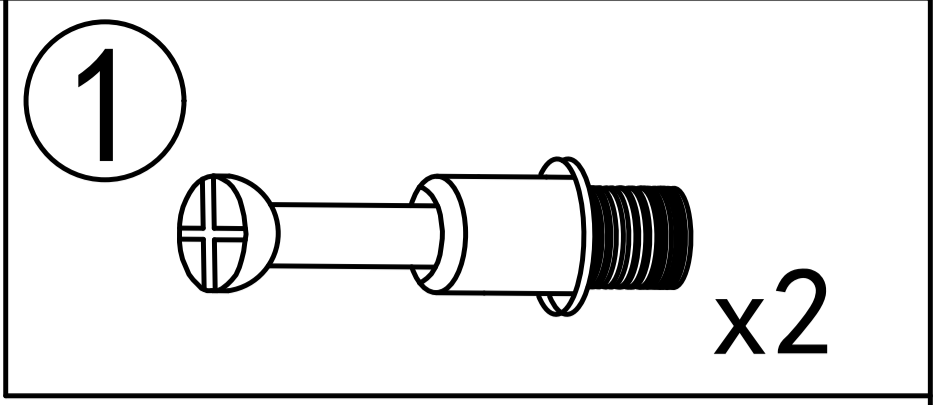


x2

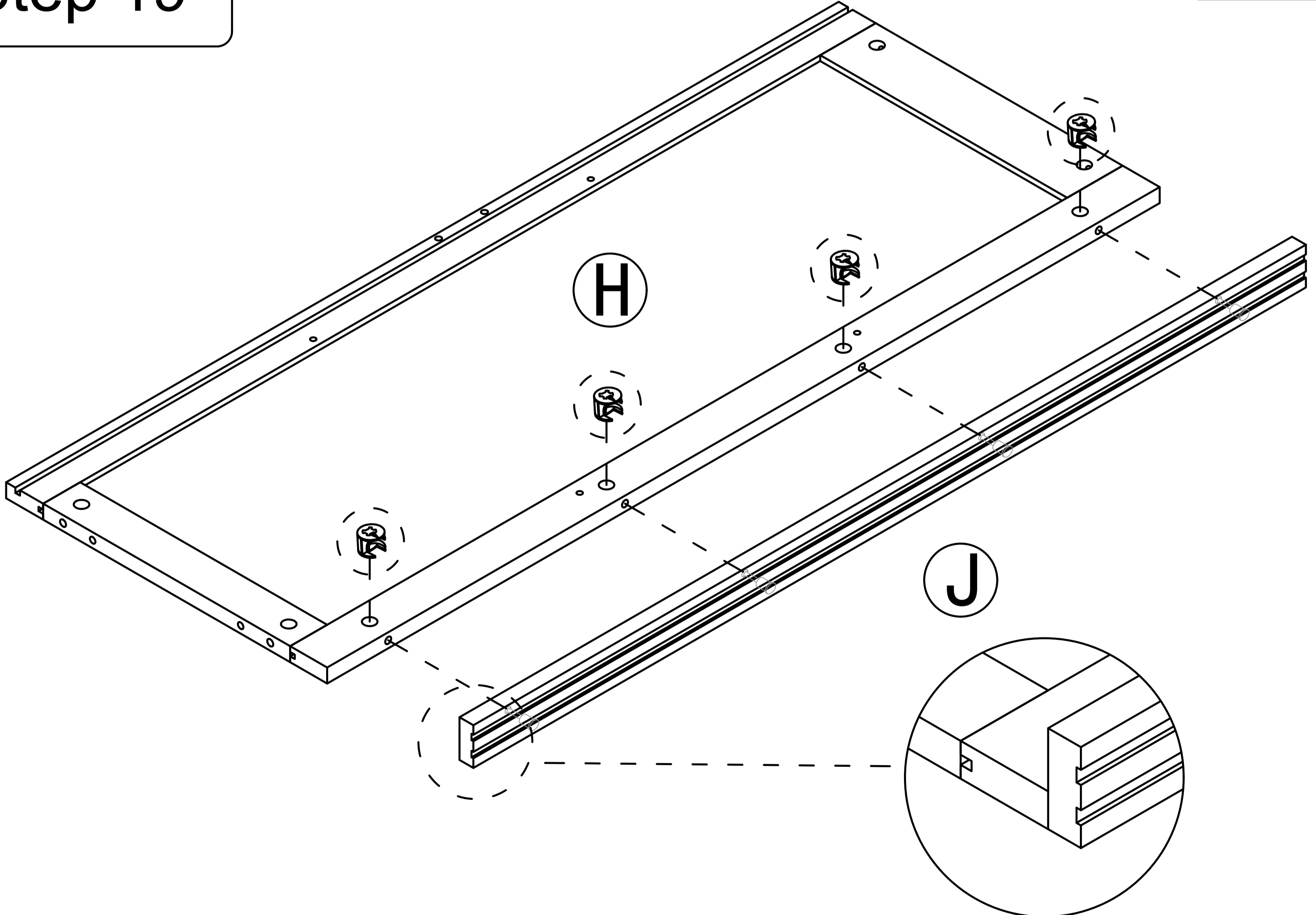
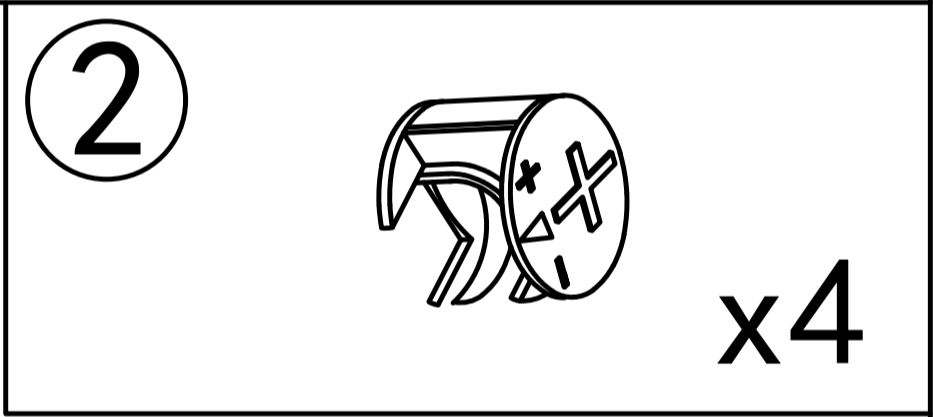
Step 17



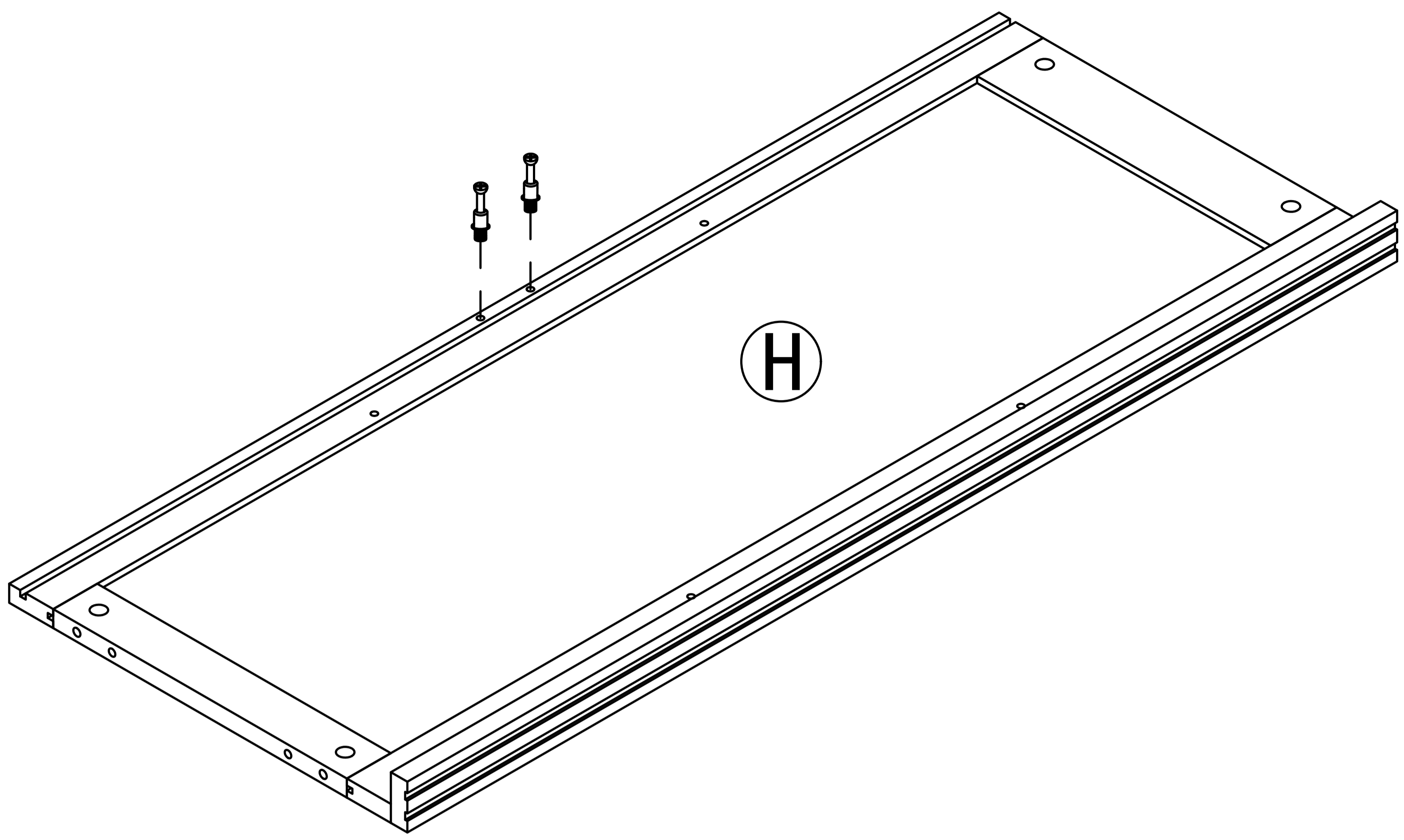
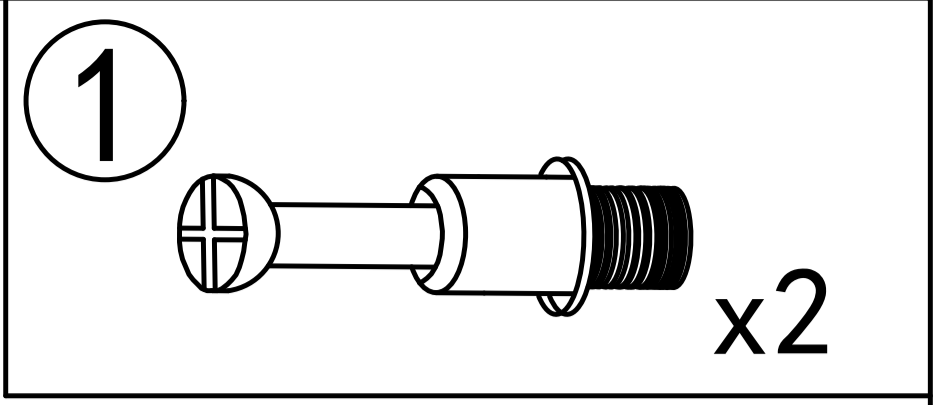
Step 18



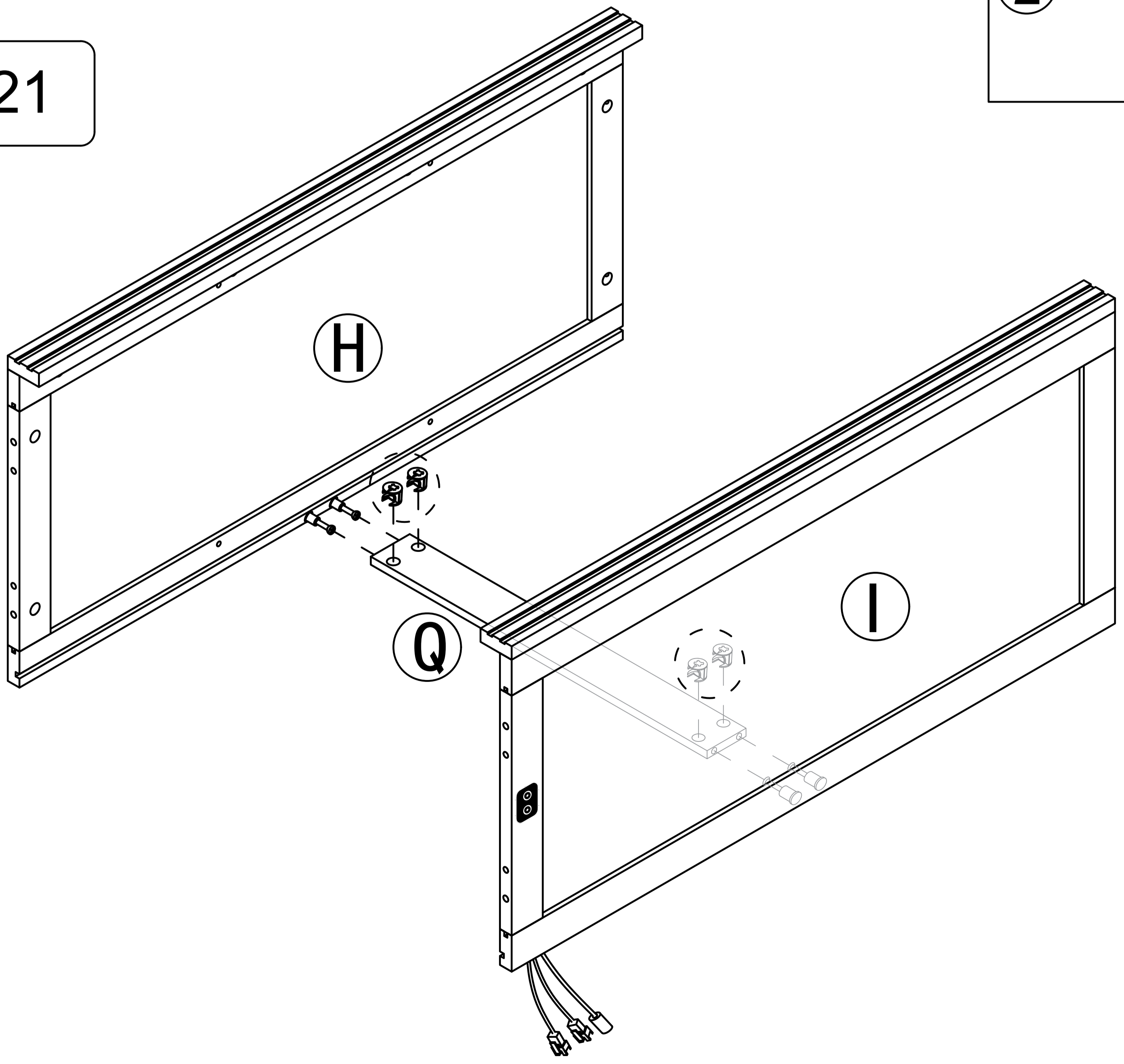
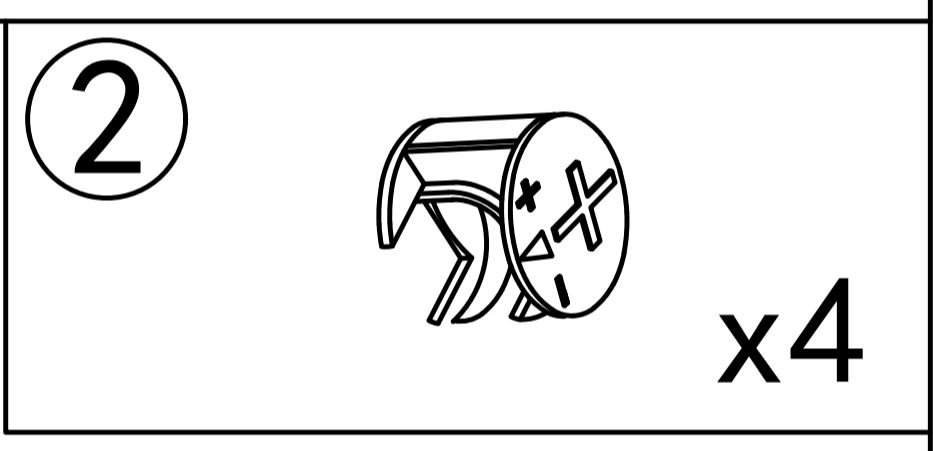
Step 19



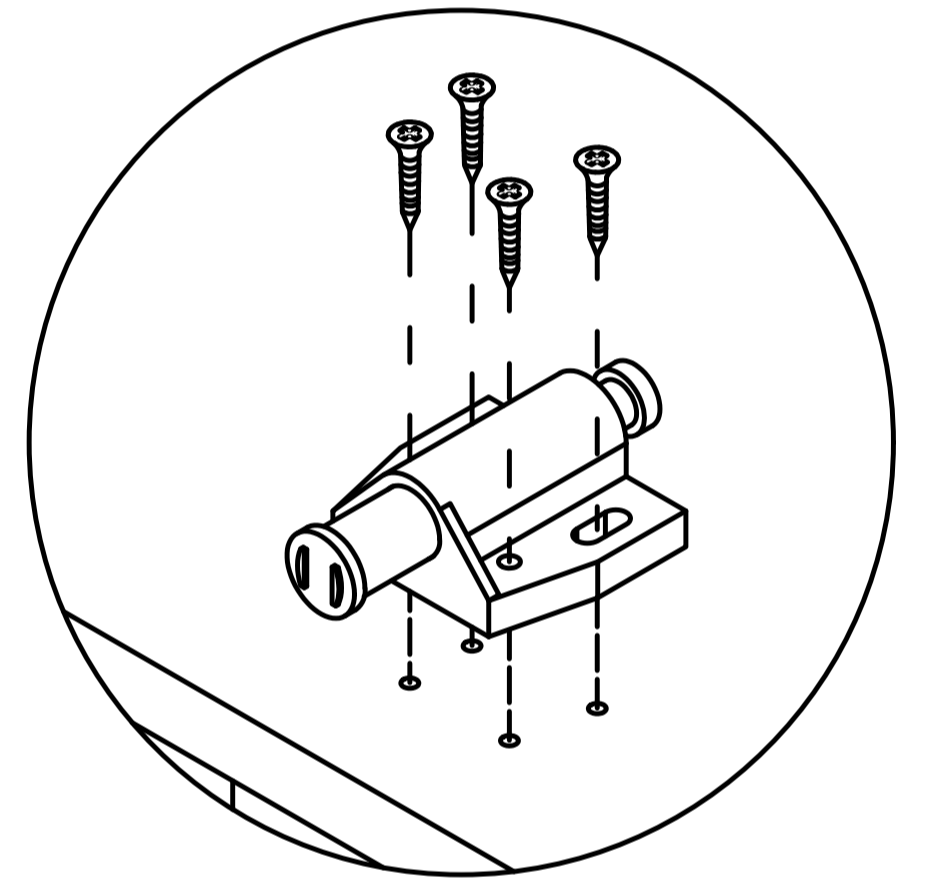
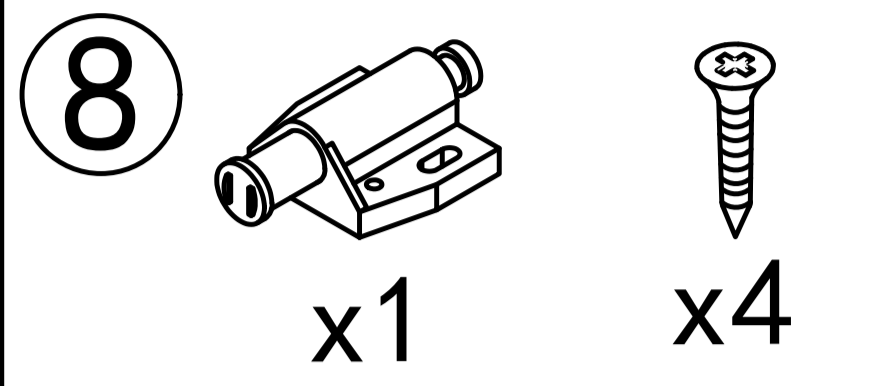
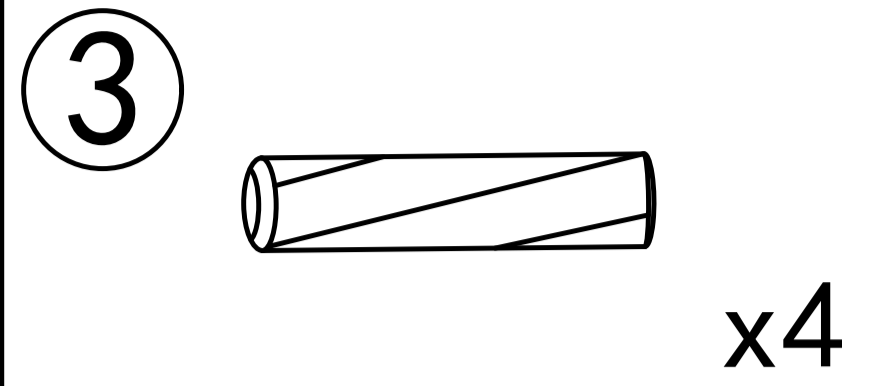
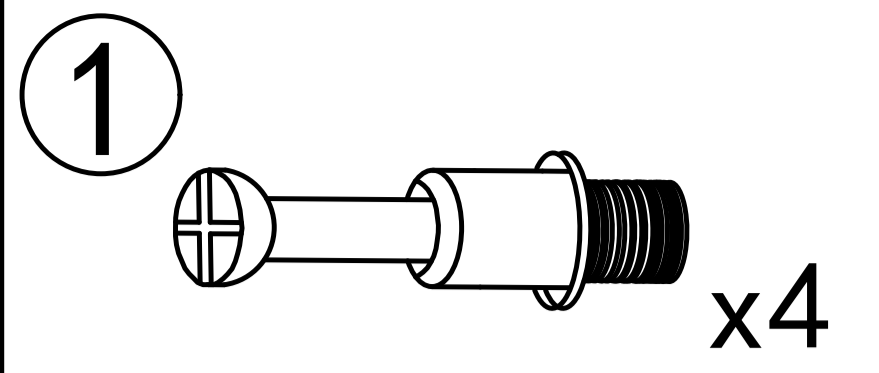
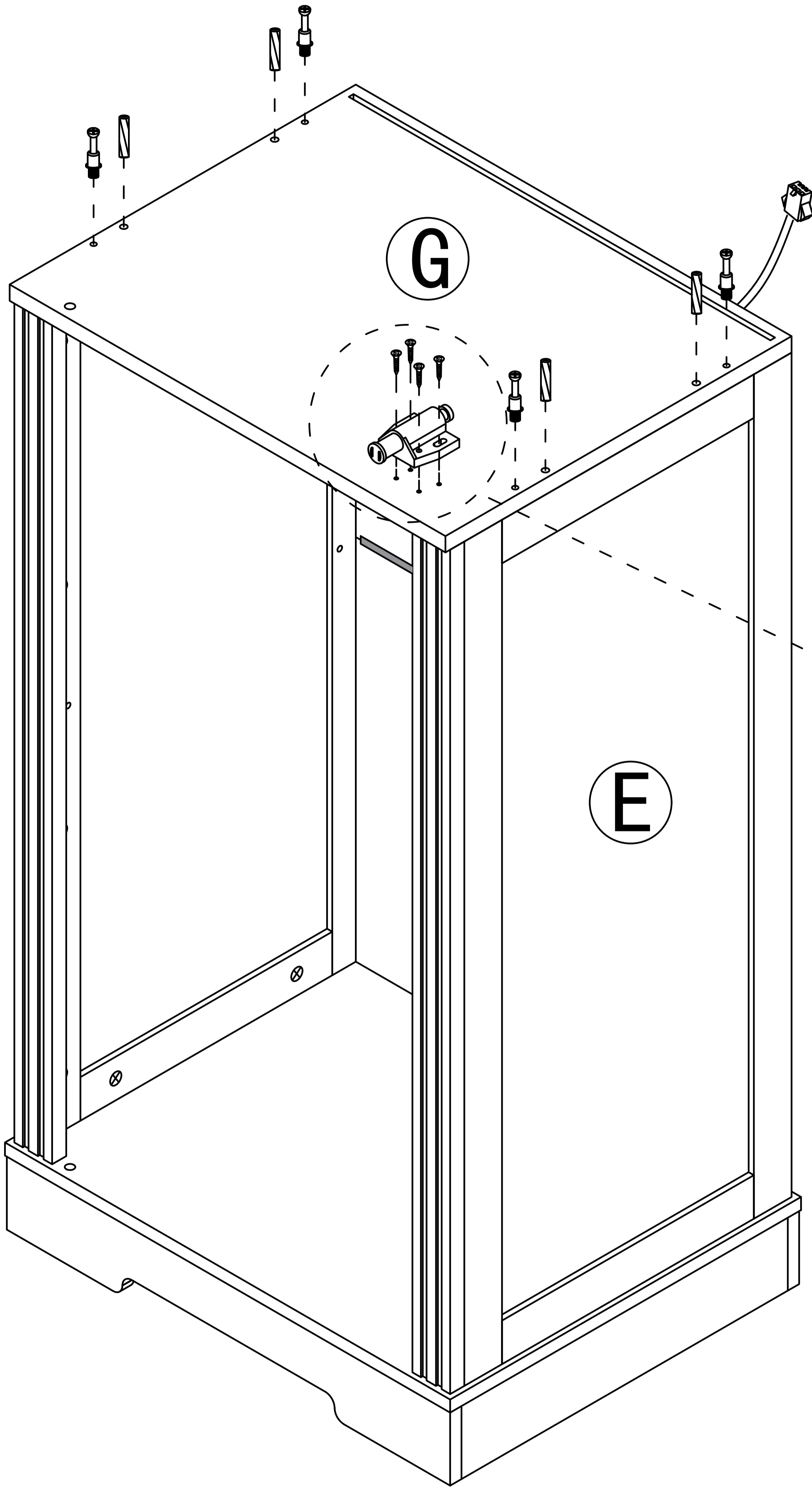
Step 20



Step 21

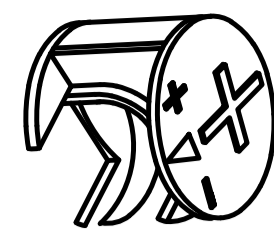


Step 22

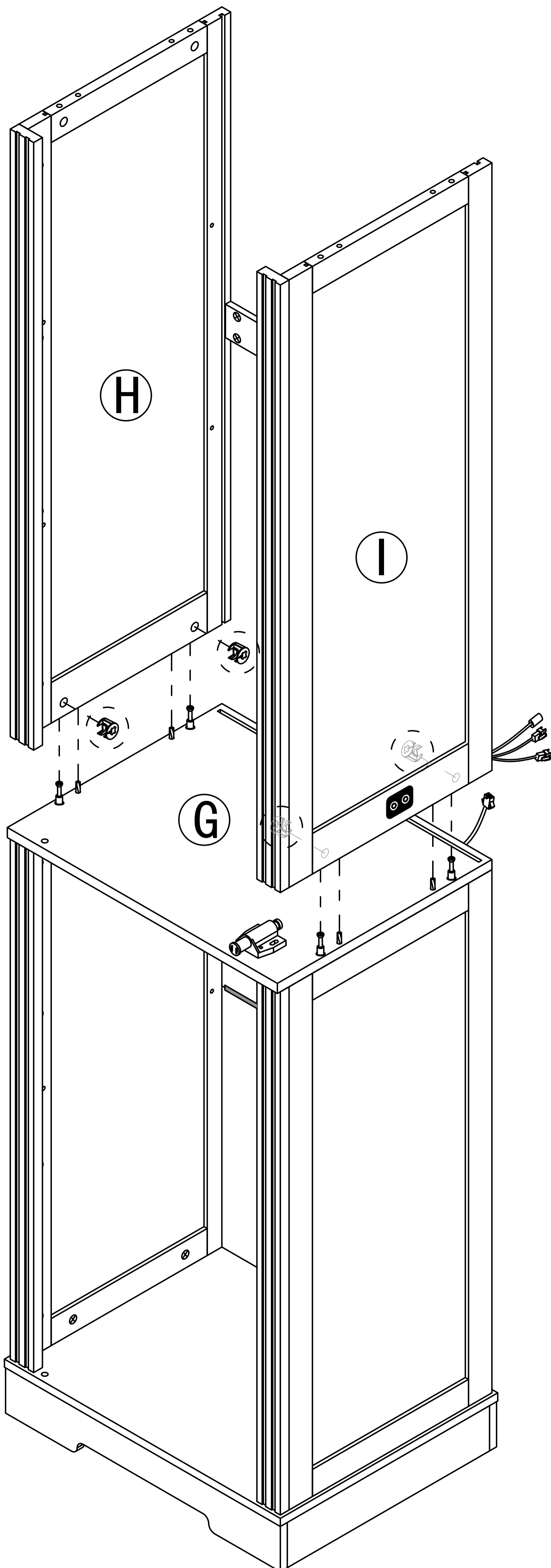


Step 23


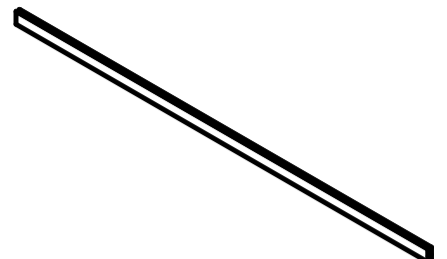
2

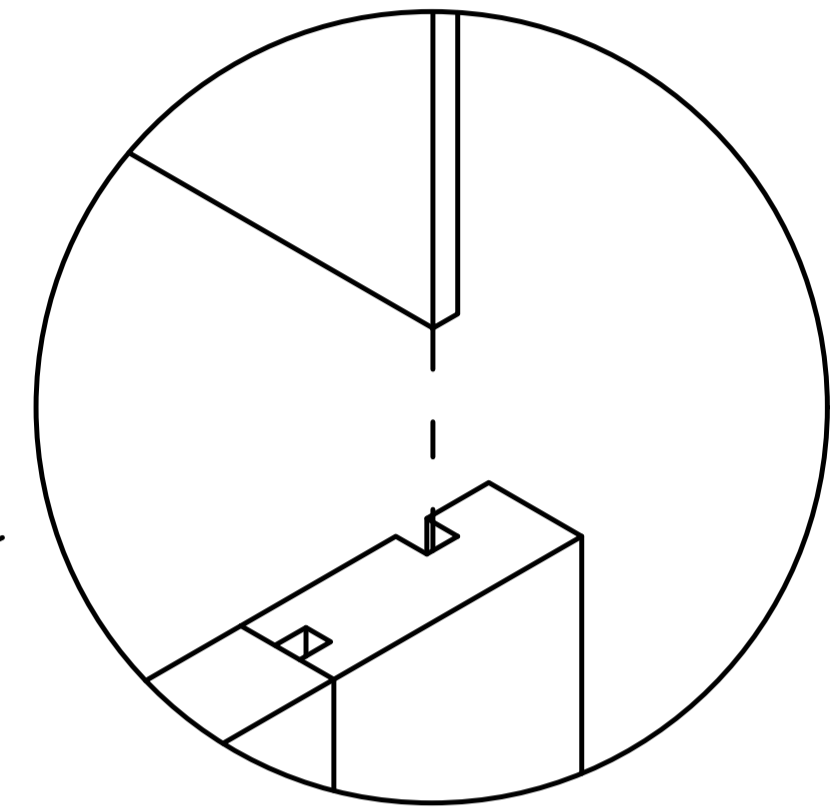
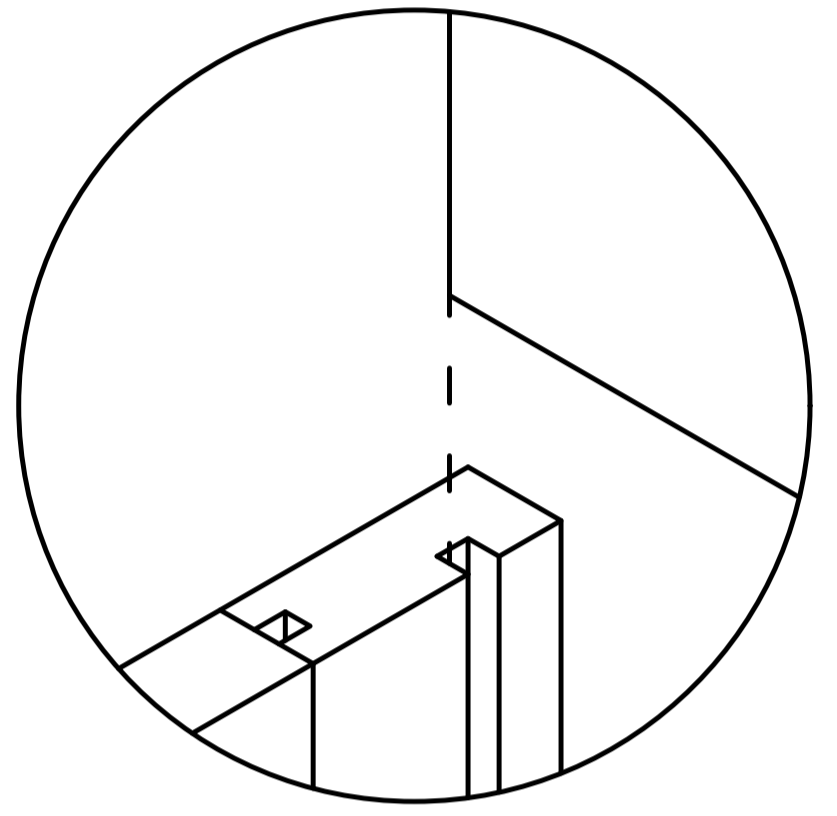
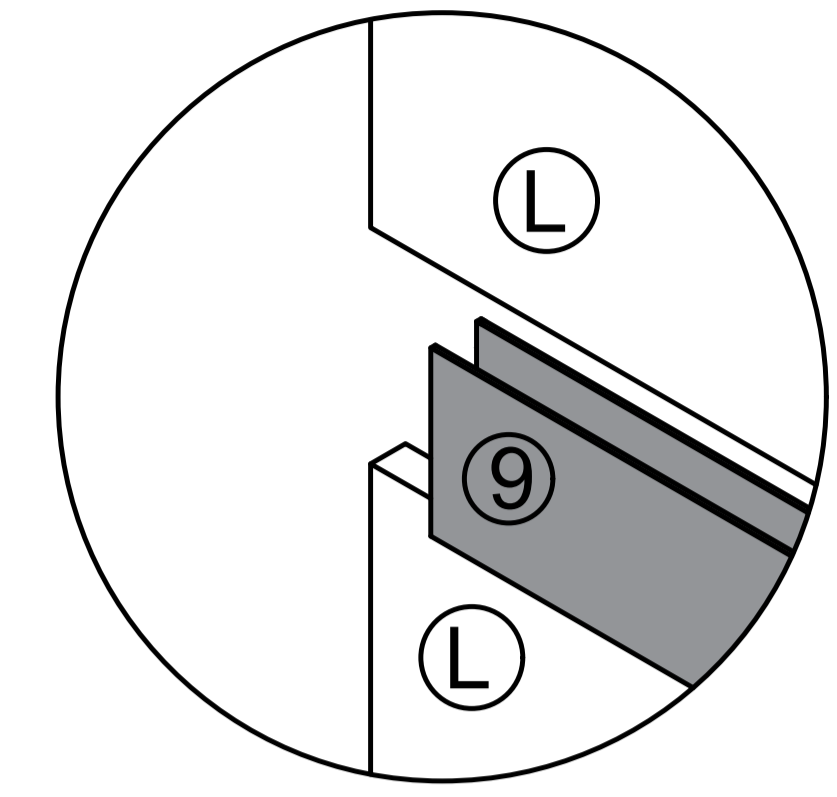


x4

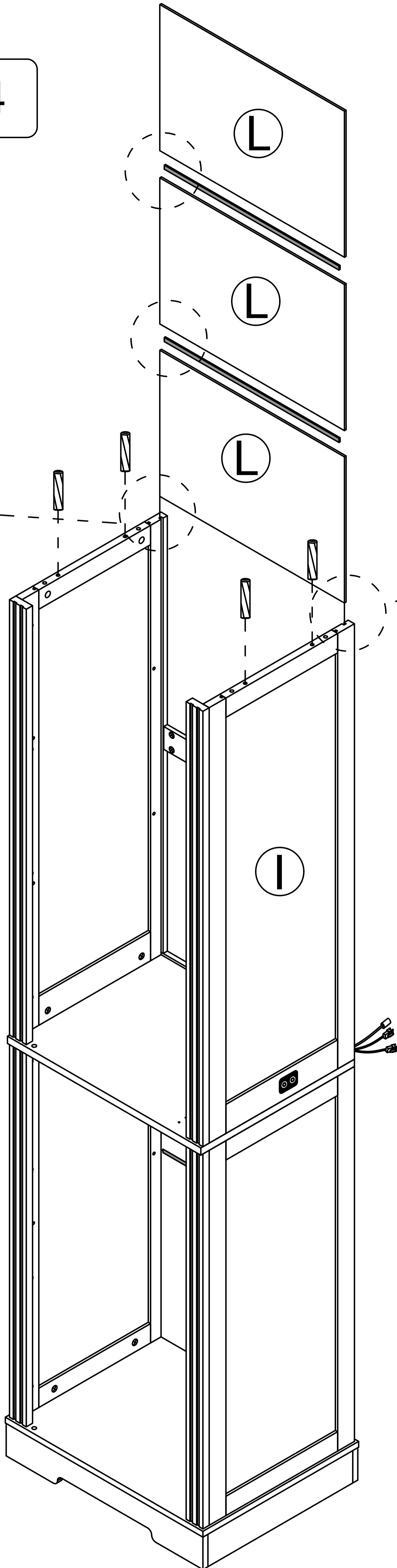


Step 24

- ③  x4
- ⑨  x2

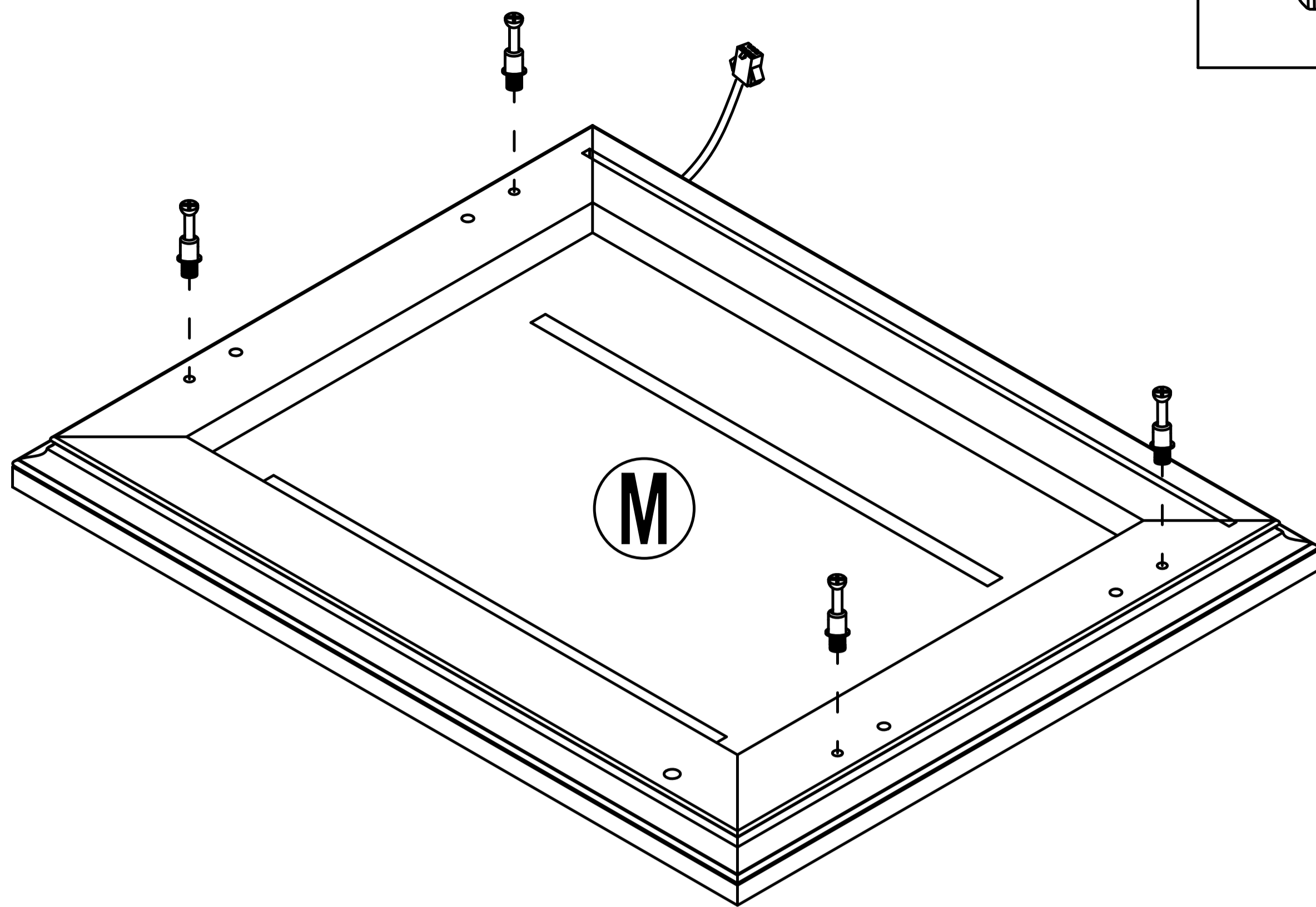
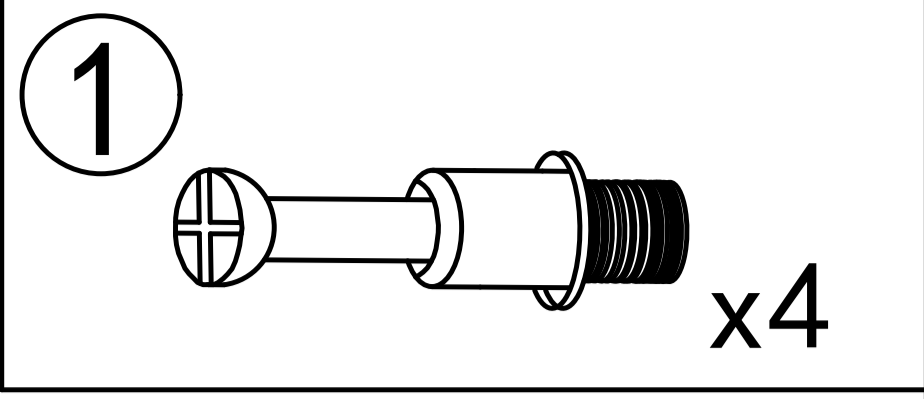


Place the "L" board, Backboard card strip, and "L" board in order

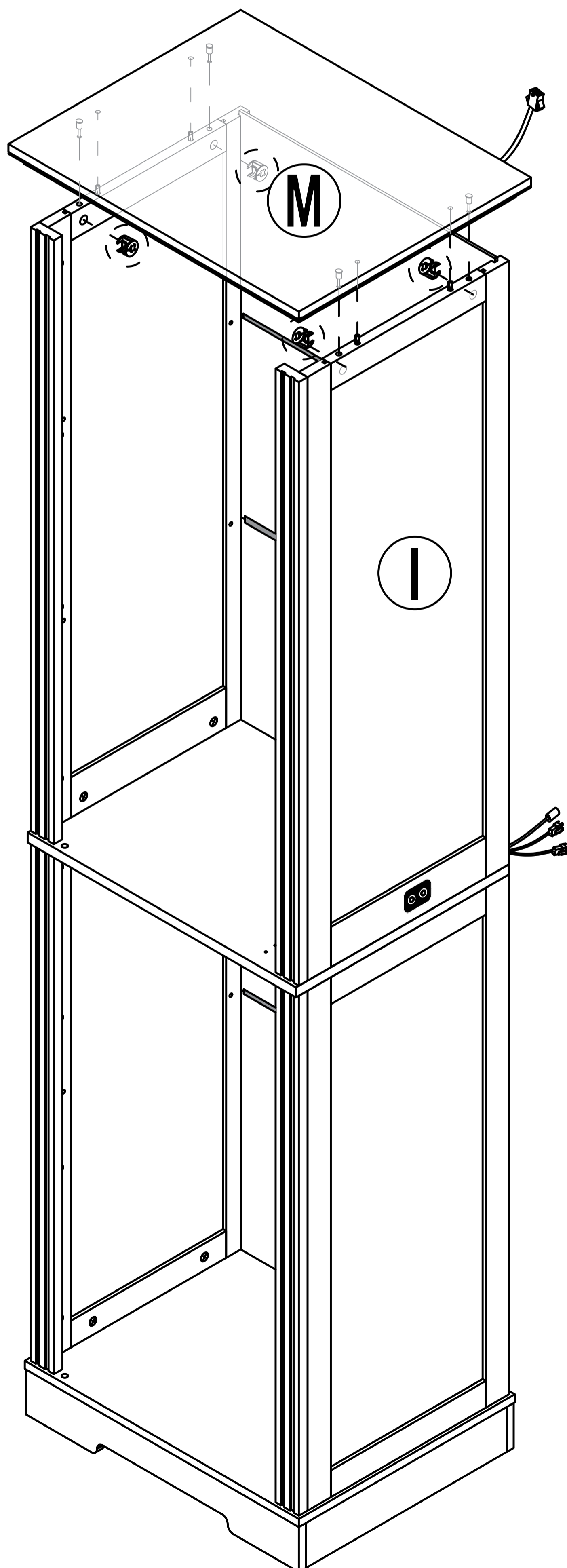
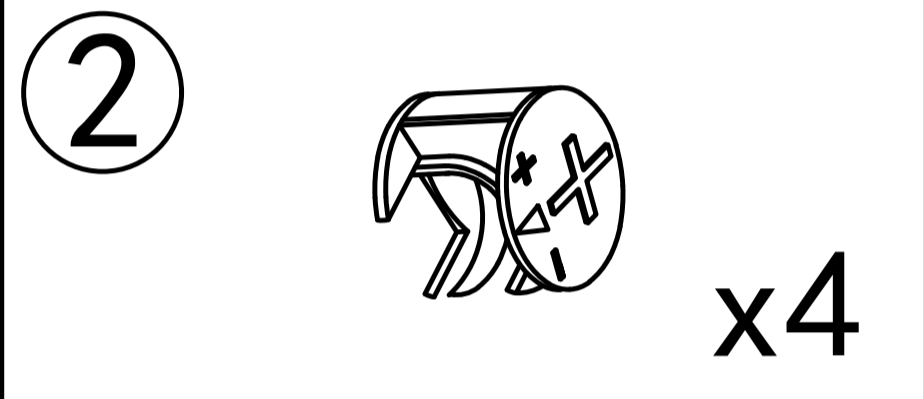


It is recommended that two people work together to install the structural wood panels.

Step 25

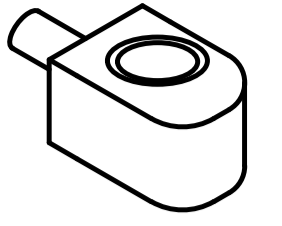


Step 26

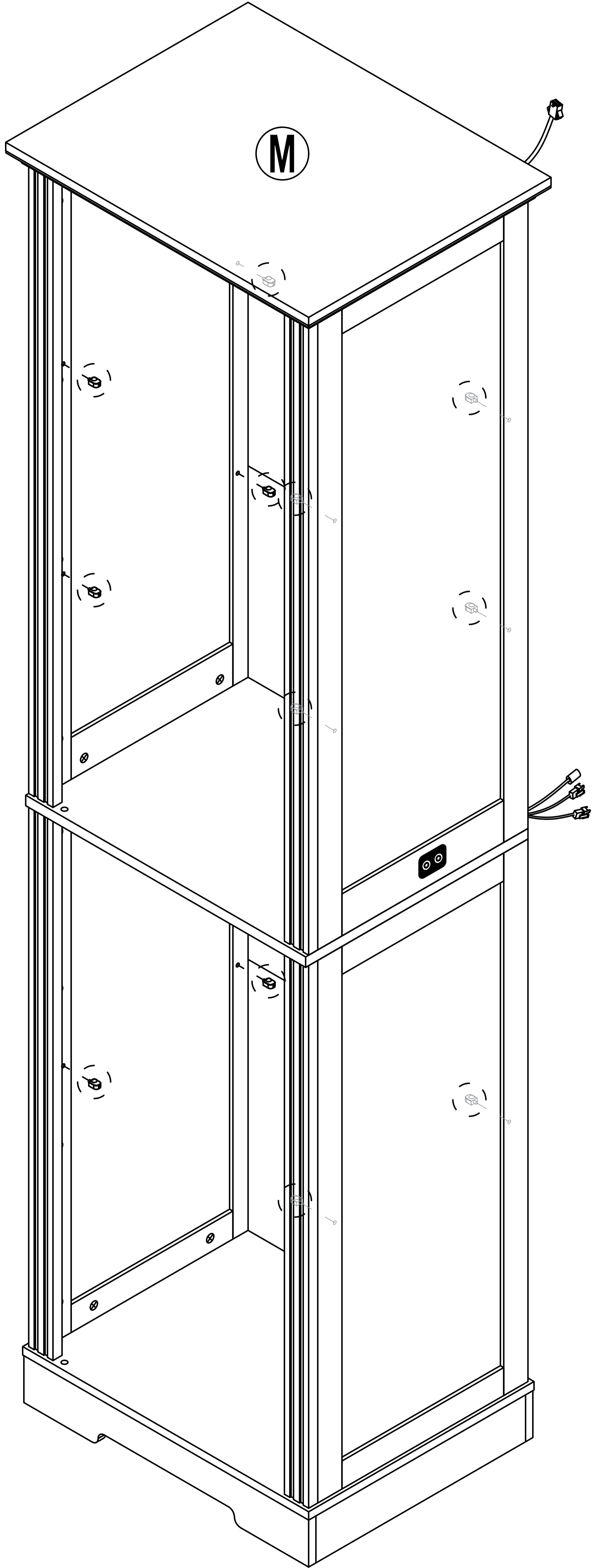
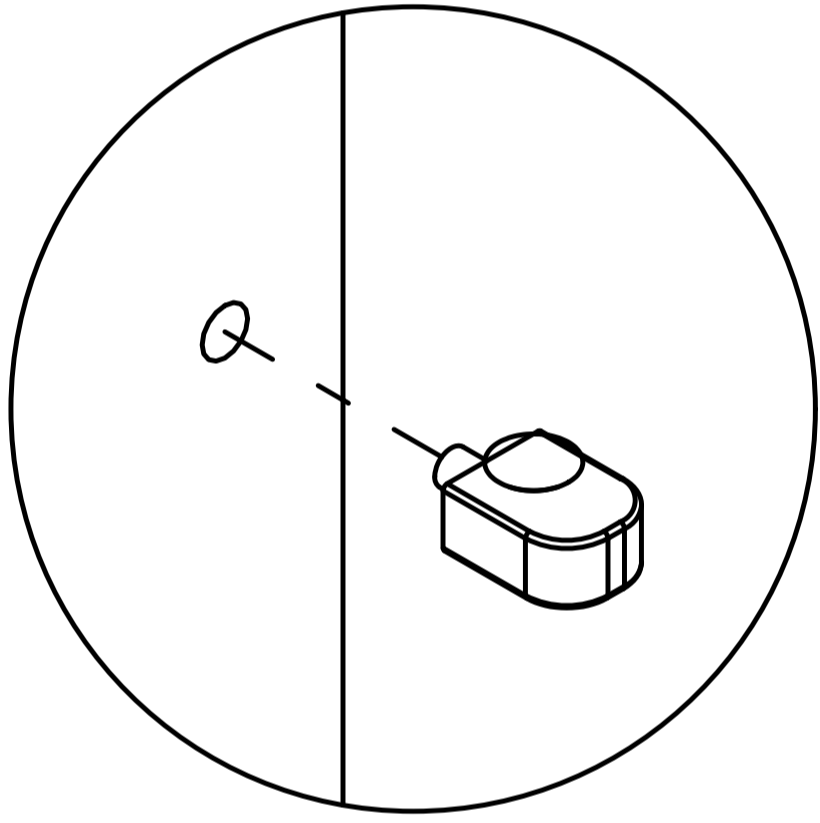


Step 27

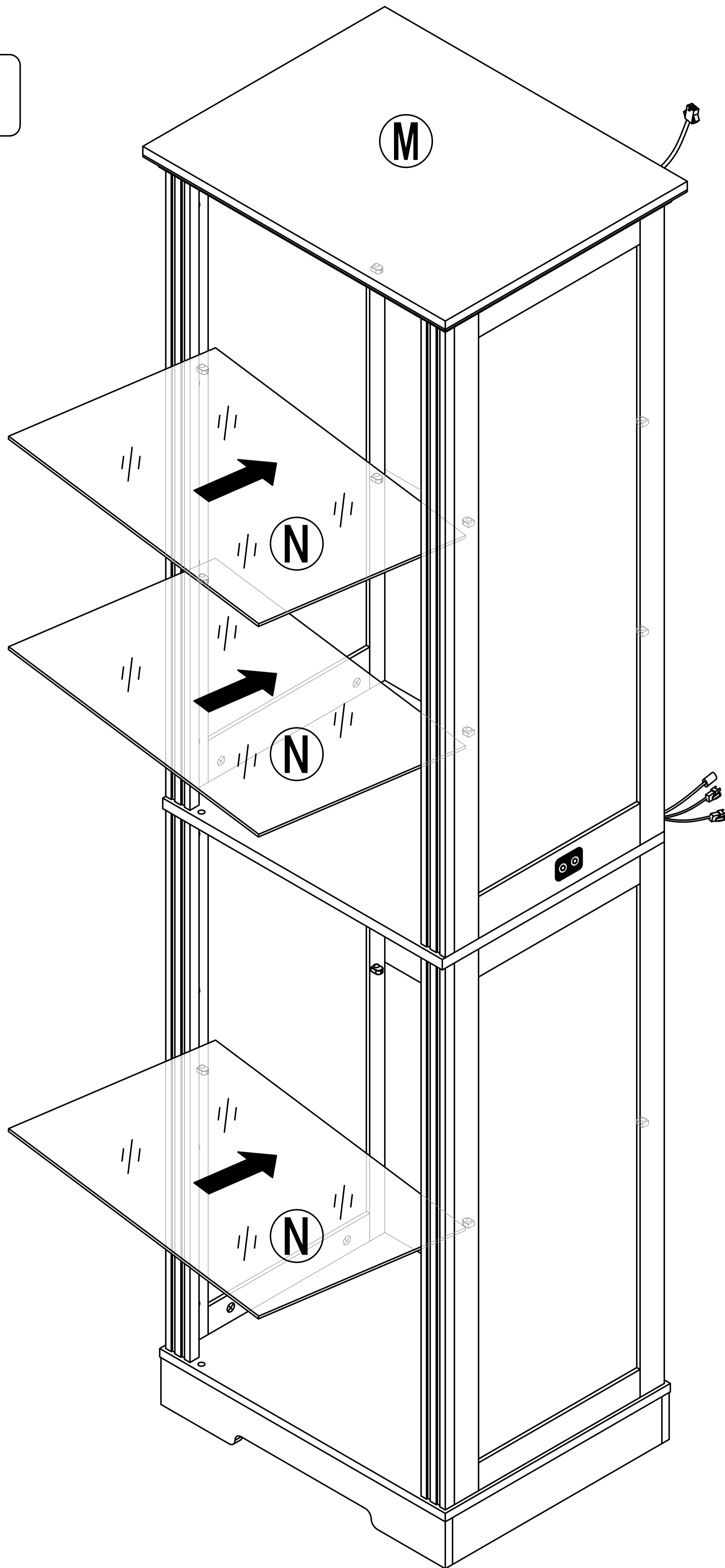
7



x12



Step 28

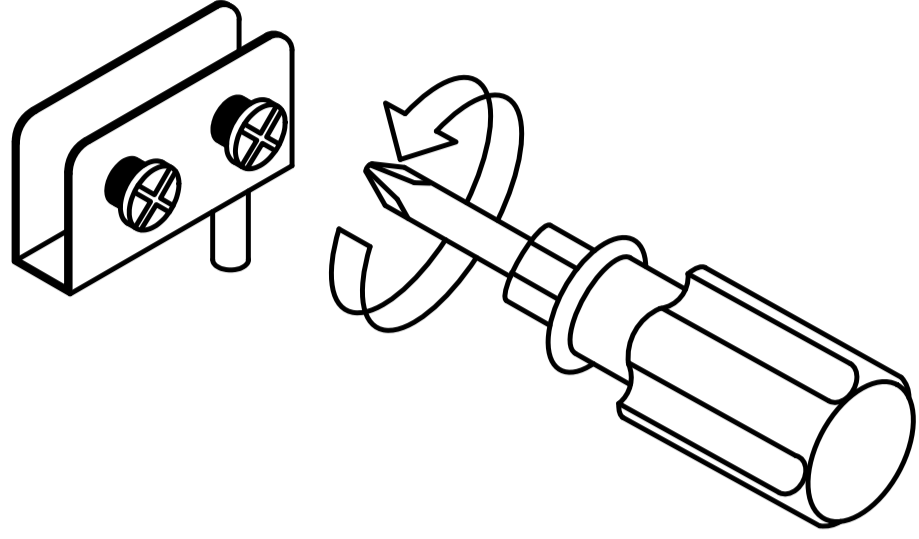


When installing the glass shelf, be sure to insert it into the cabinet at an angle.

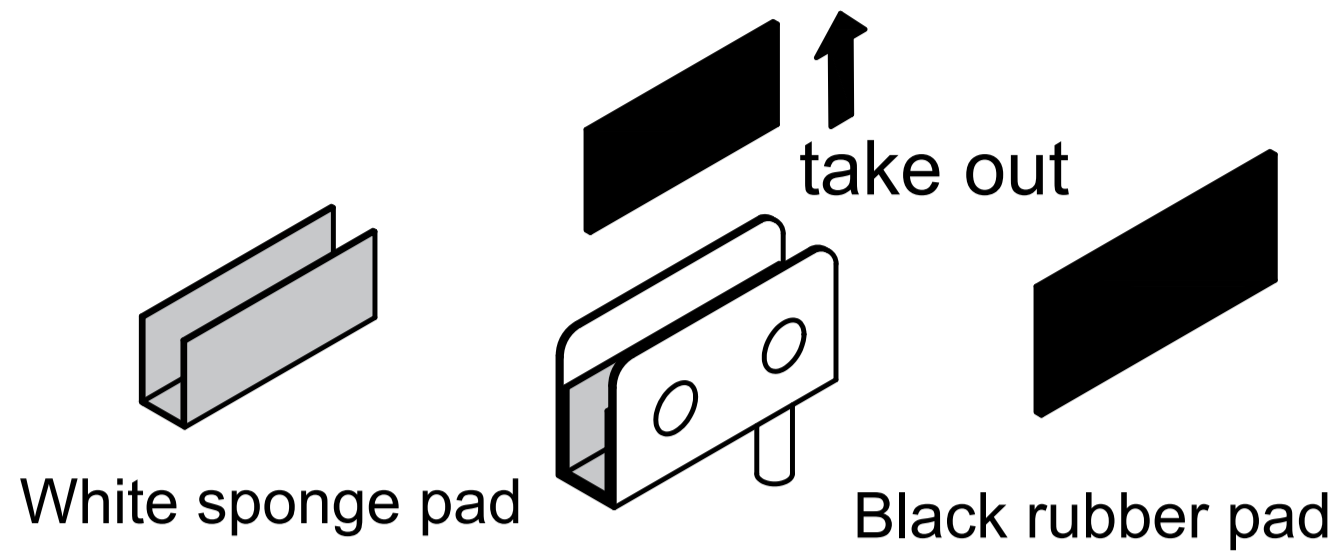
Please handle the glass with care and place it gently.

Step 29

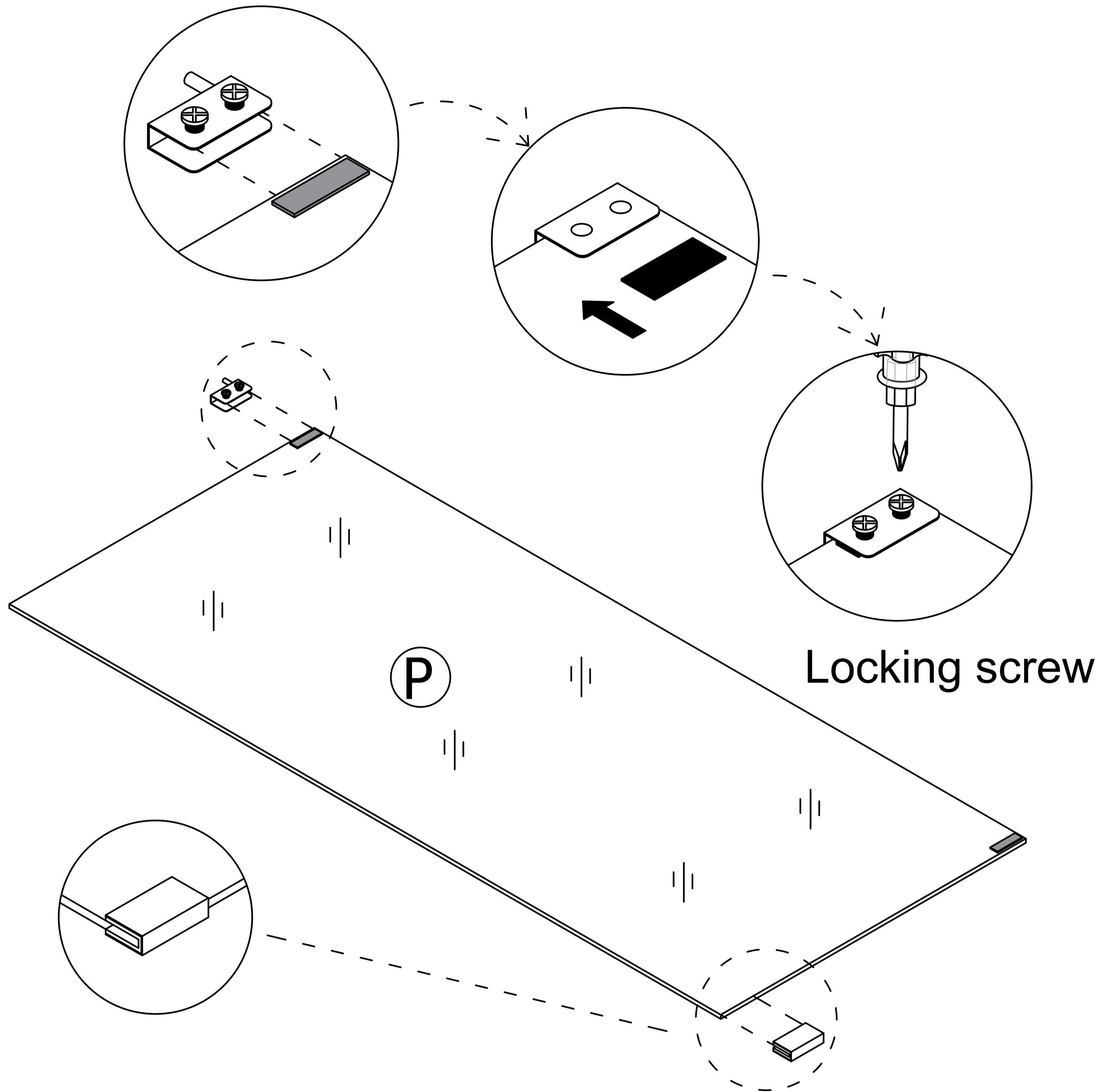
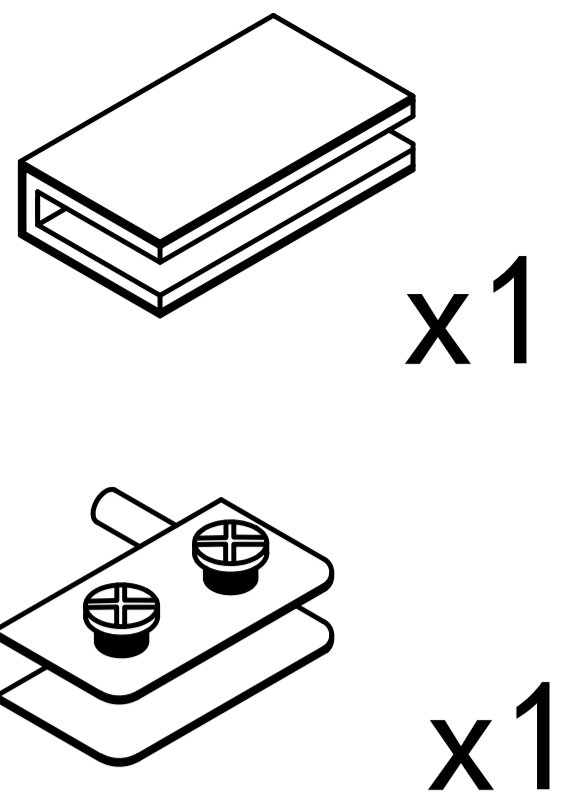
First, completely unscrew the screws on the parts



Then take out the black rubber pad from the inside of the part, and the white sponge remains unchanged inside the part.



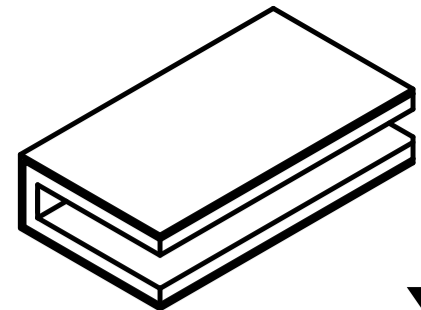
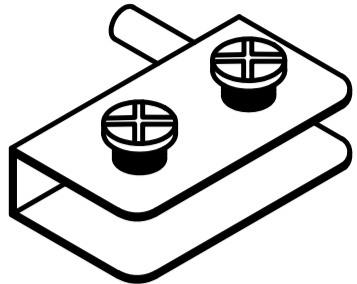
8

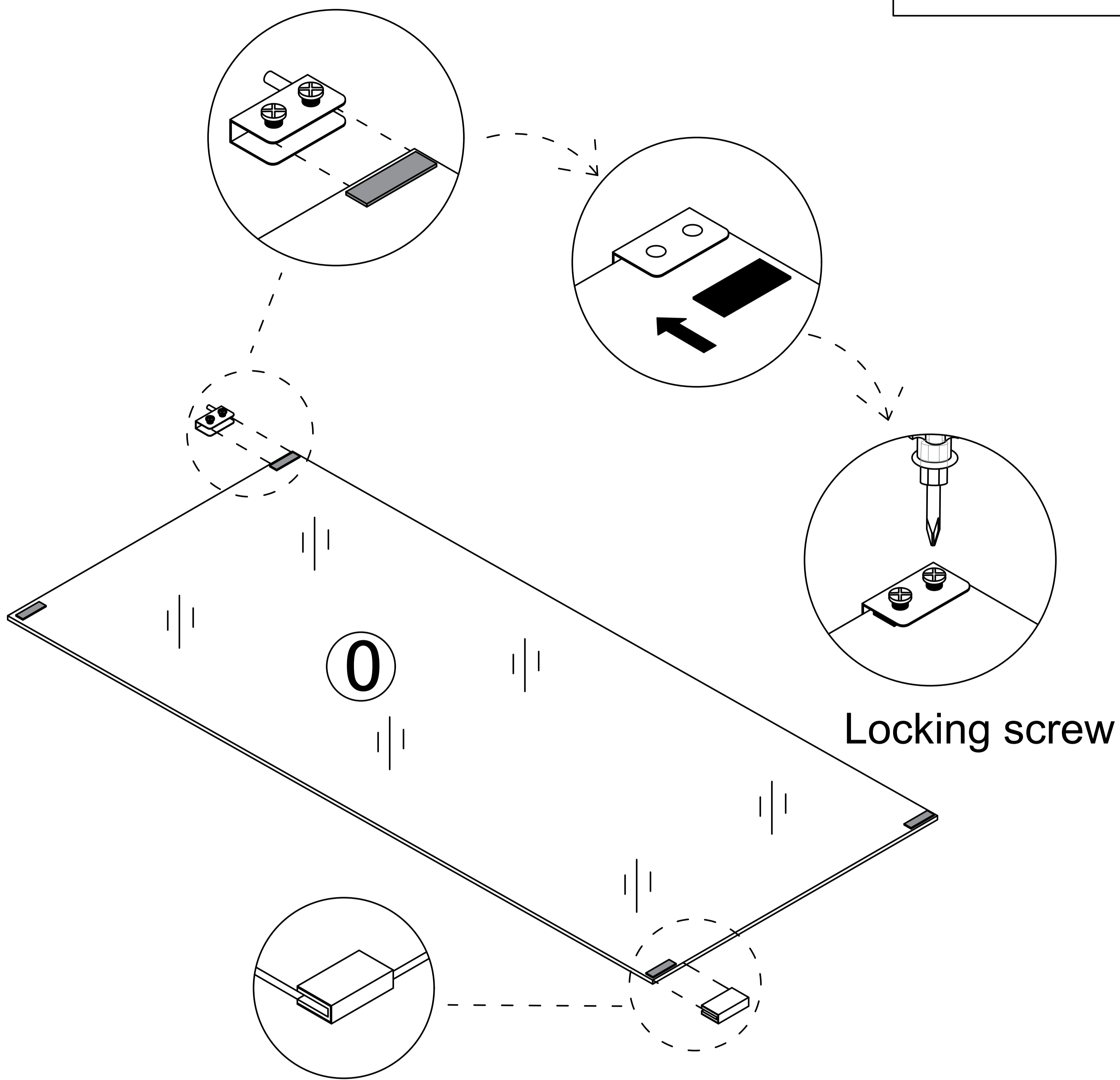


Pay attention to the direction of the door hinge, rotate the screws to compress the black gasket, and do not place it in the opposite direction

Place the black gasket on the side where the screws are installed

Step 30

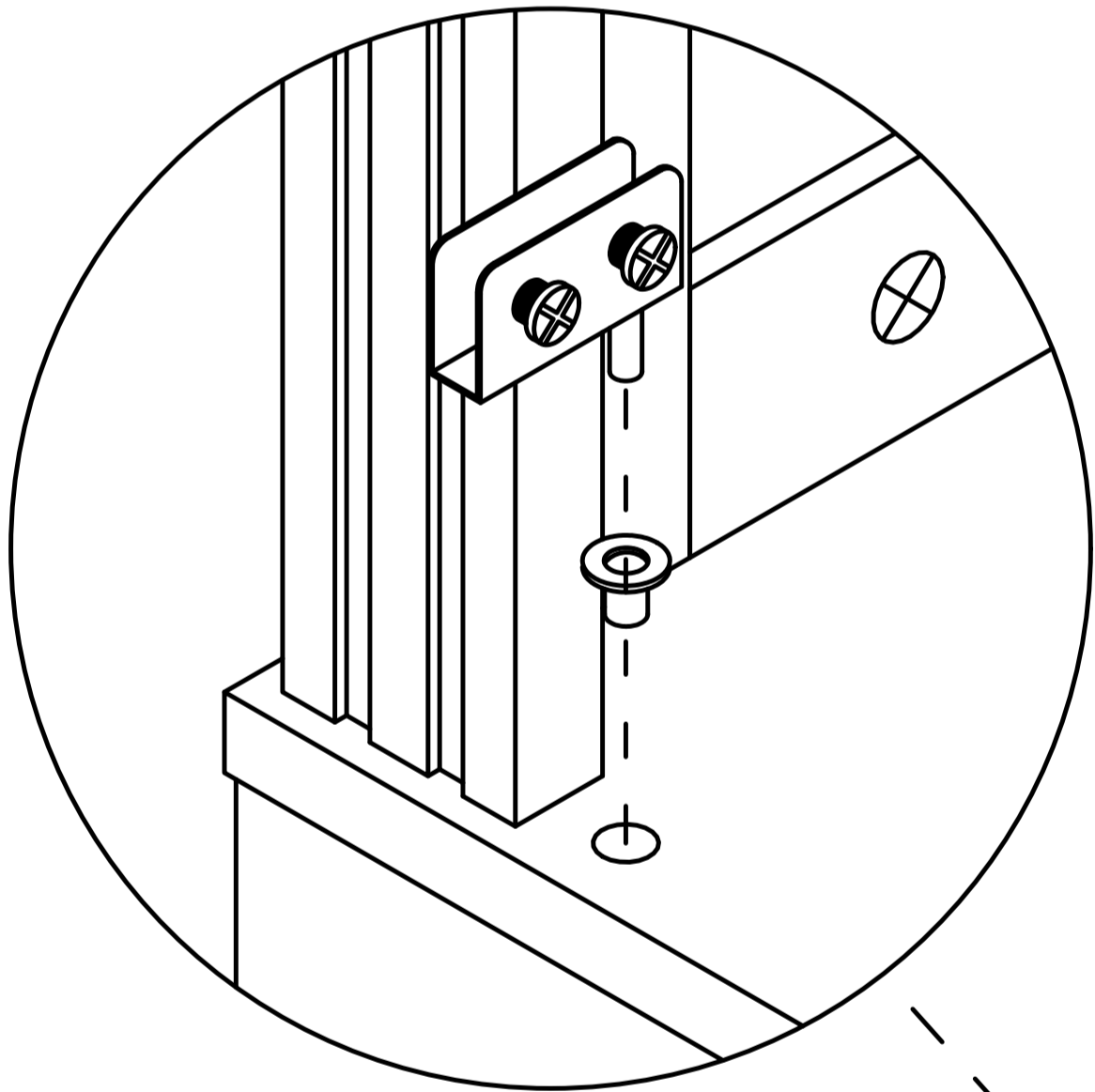
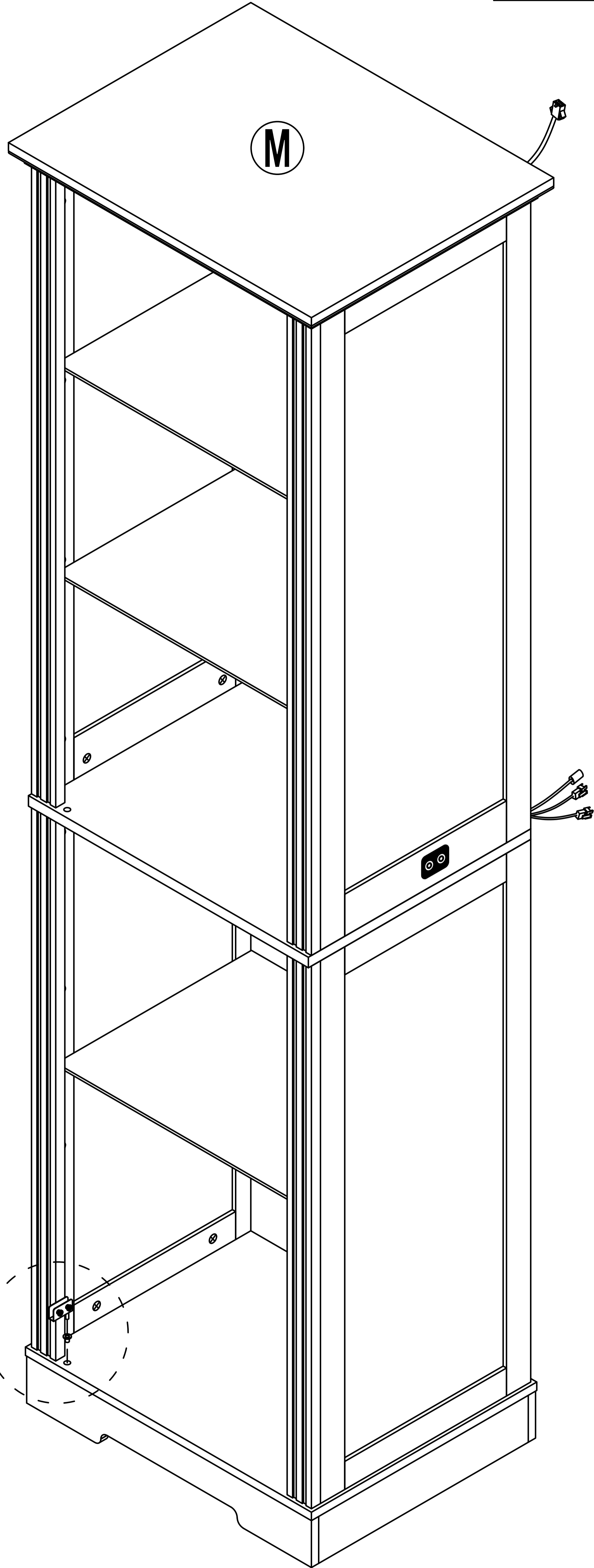
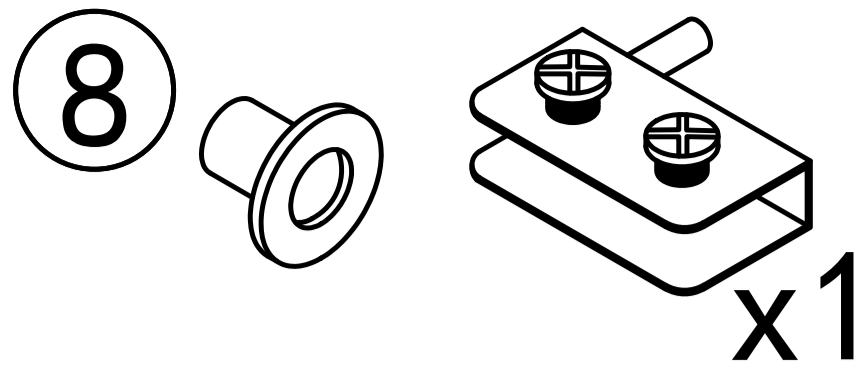
- 8  x1
-  x1



Pay attention to the direction of the door hinge, rotate the screws to compress the black gasket, and do not place it in the opposite direction

Place the black gasket on the side where the screws are installed

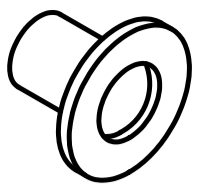
Step 31



Step 32

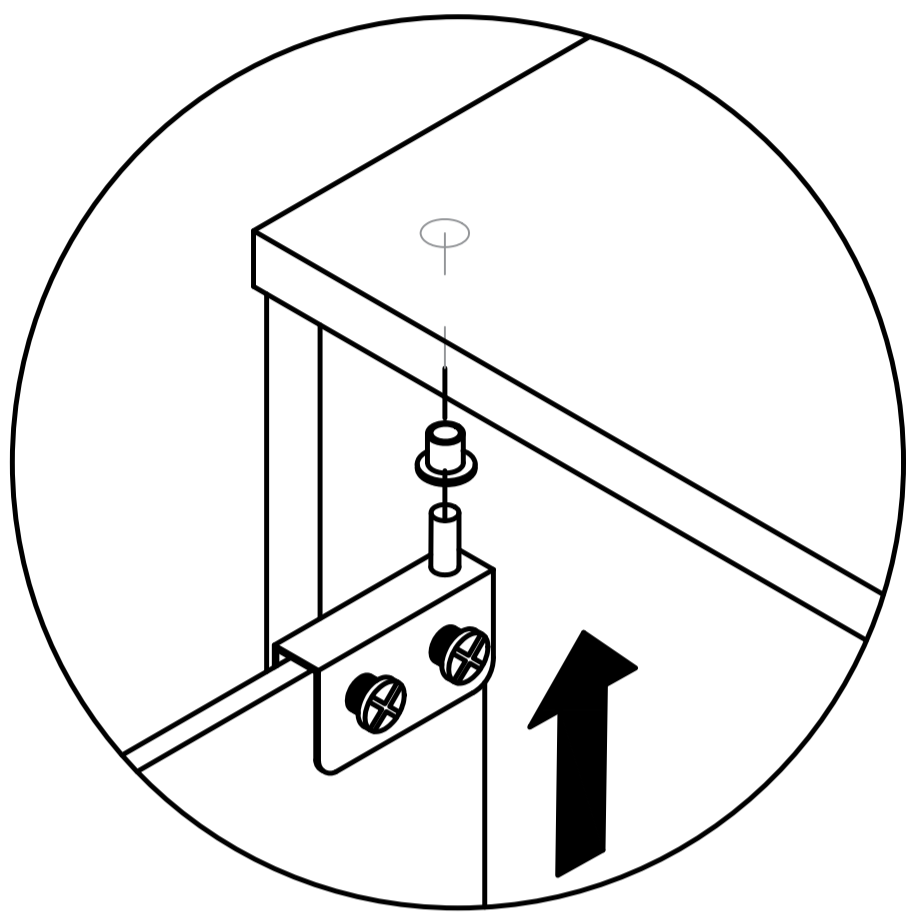
Pay attention to the direction of the door hinge during installation

8

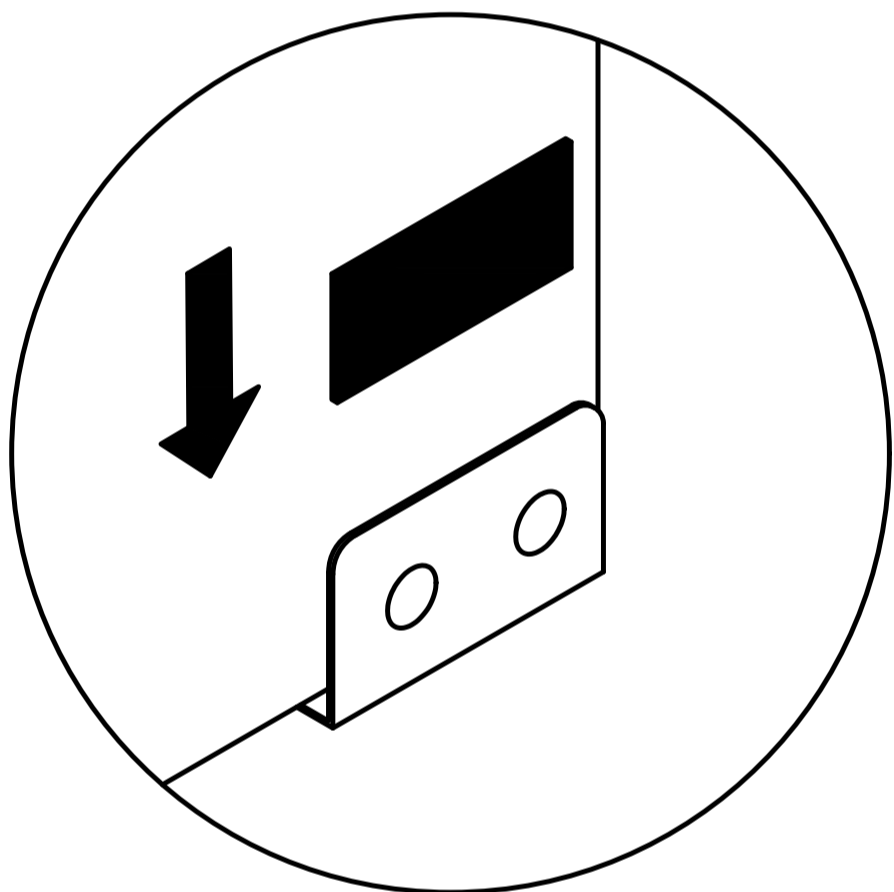


x1

When installing a glass door, it is recommended to have two people install it to avoid the glass door colliding or hitting oneself.

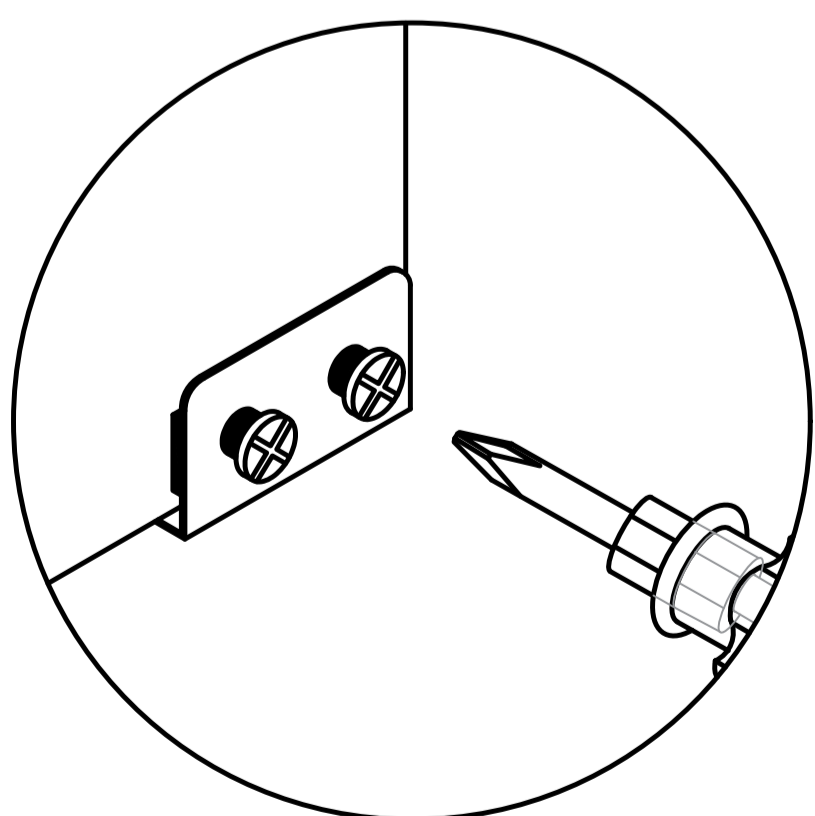


first



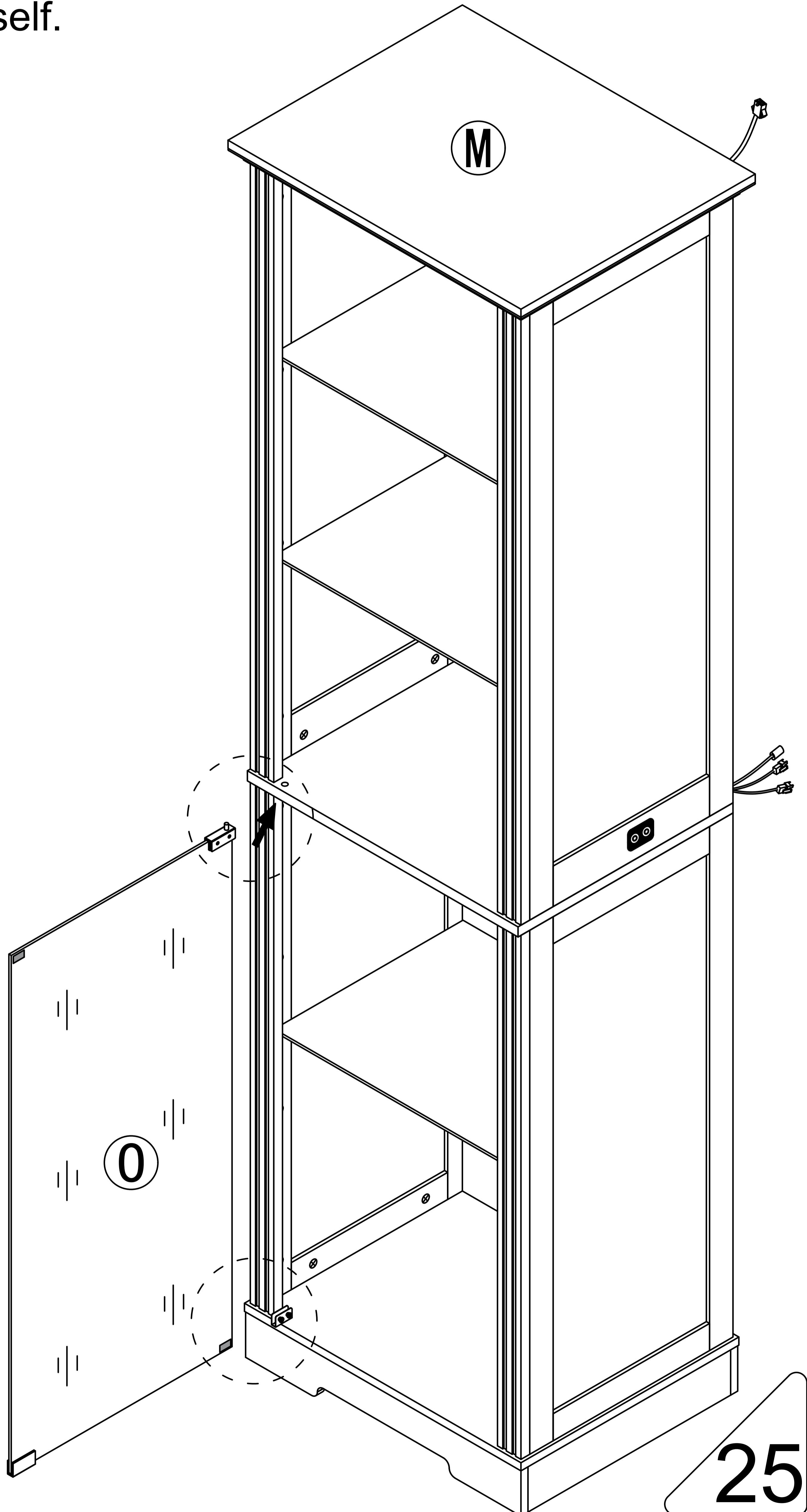
second

After installing the glass door, place the black gasket on the side where the screws are installed



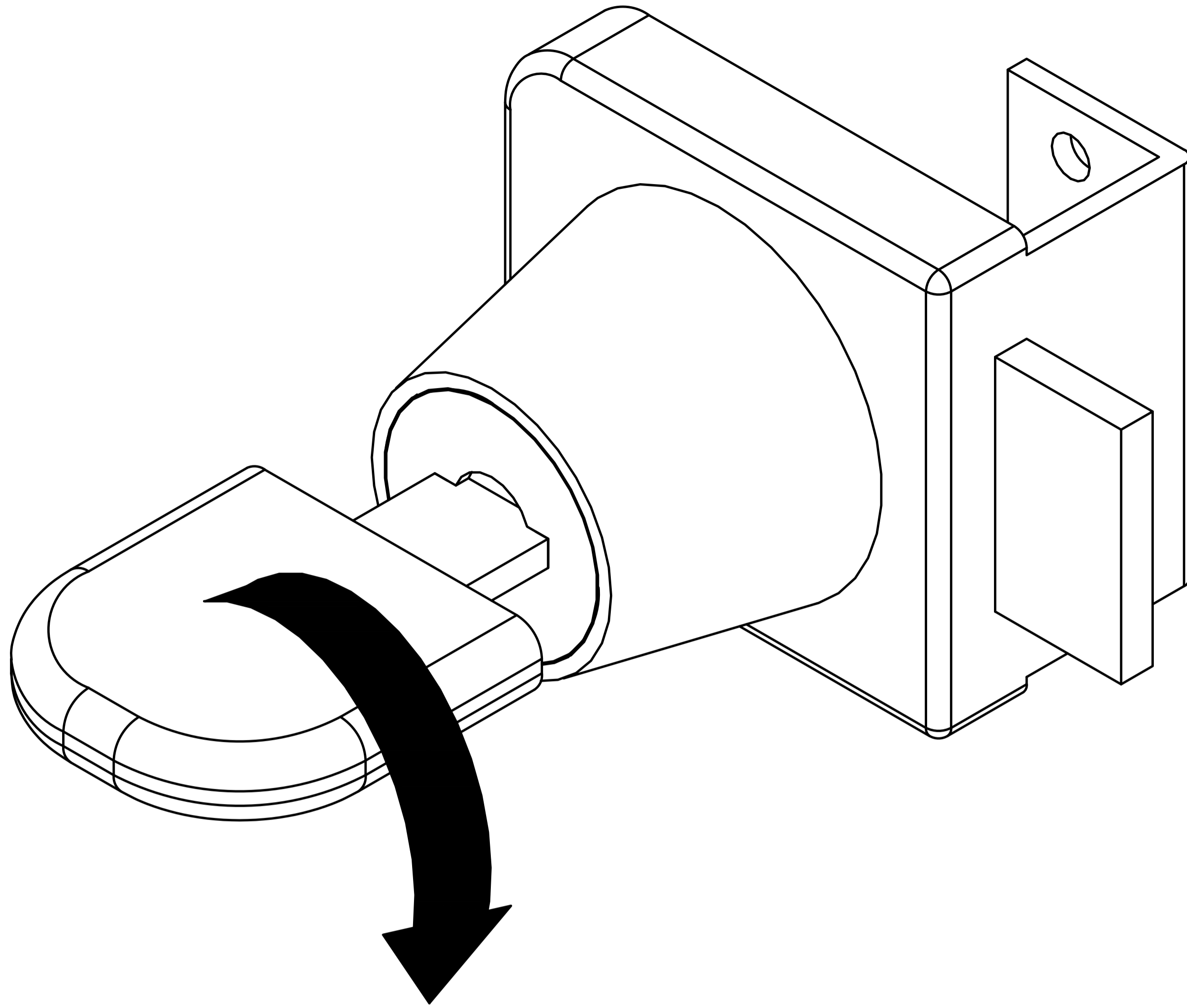
third

Locking screw

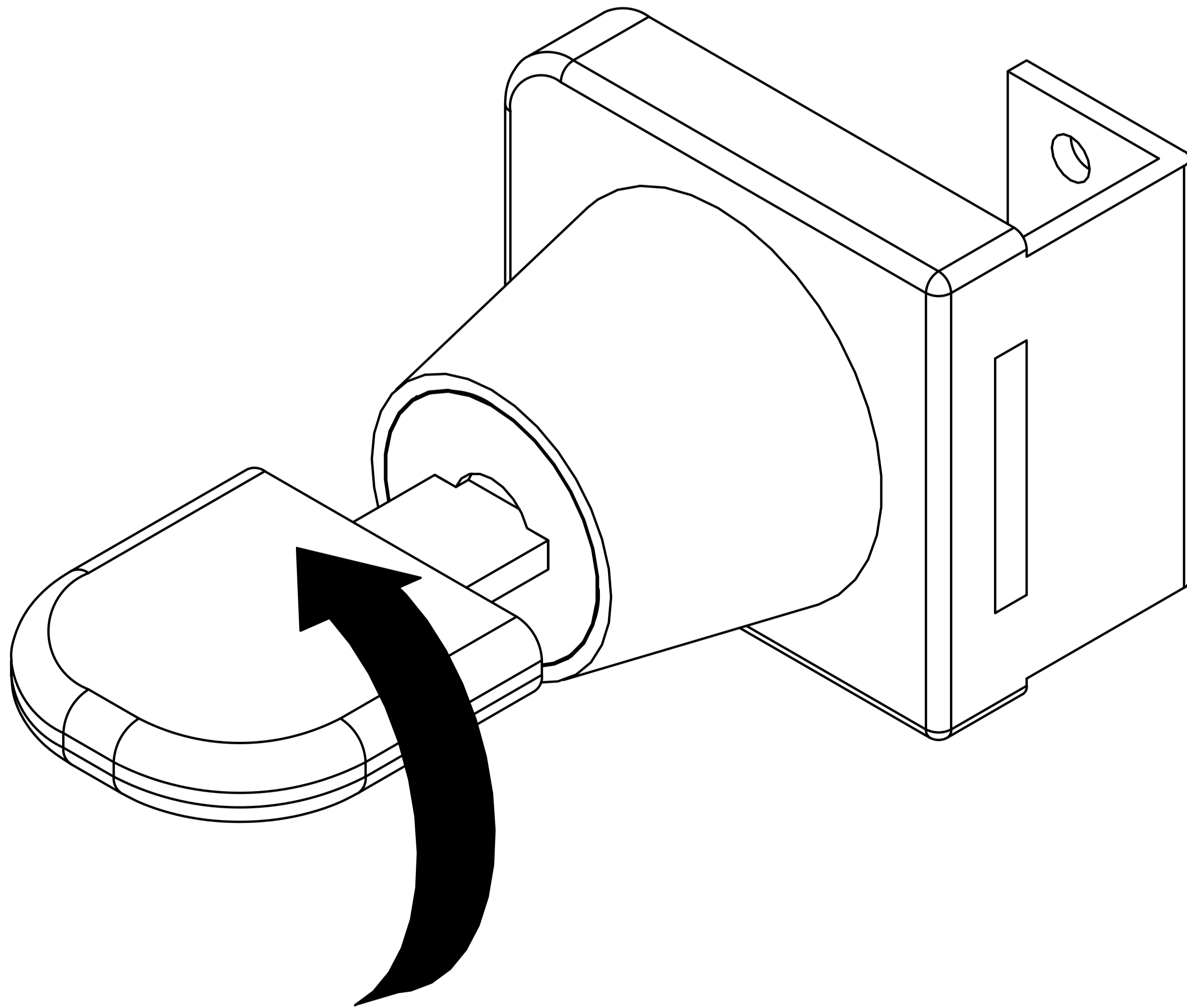


25

Tip: Turning the door lock to the right will close it

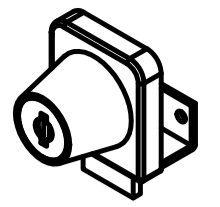


Tip: Turning the door lock to the left opens it



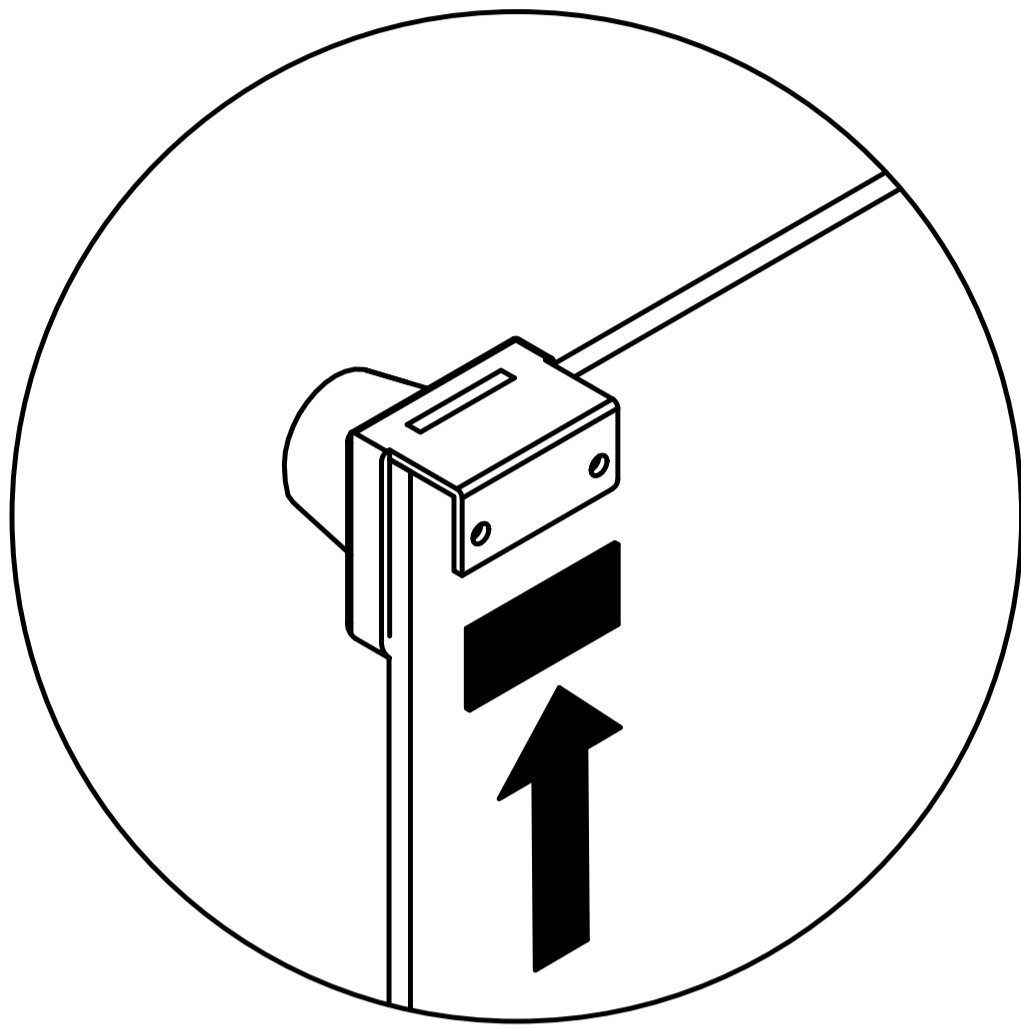
Step 33

10

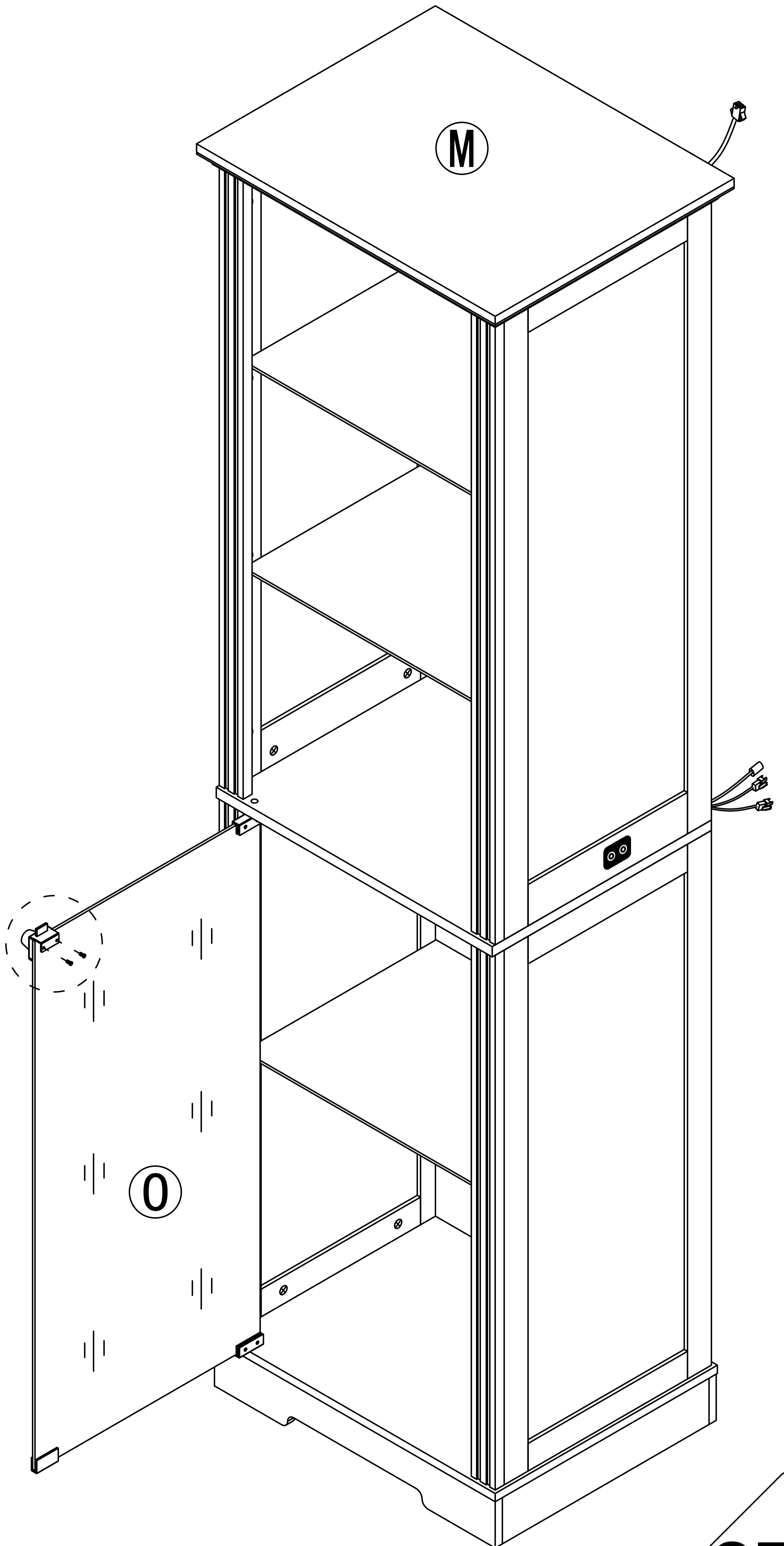
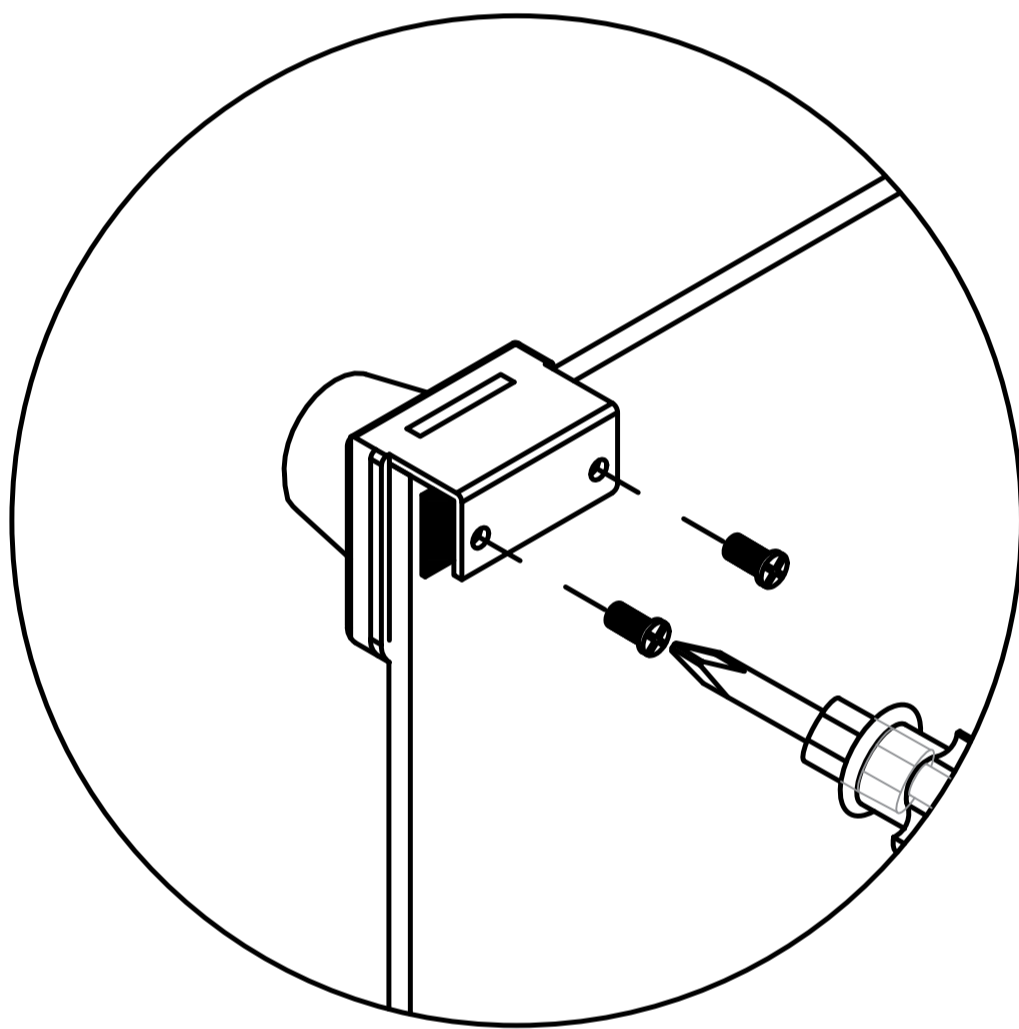


x1

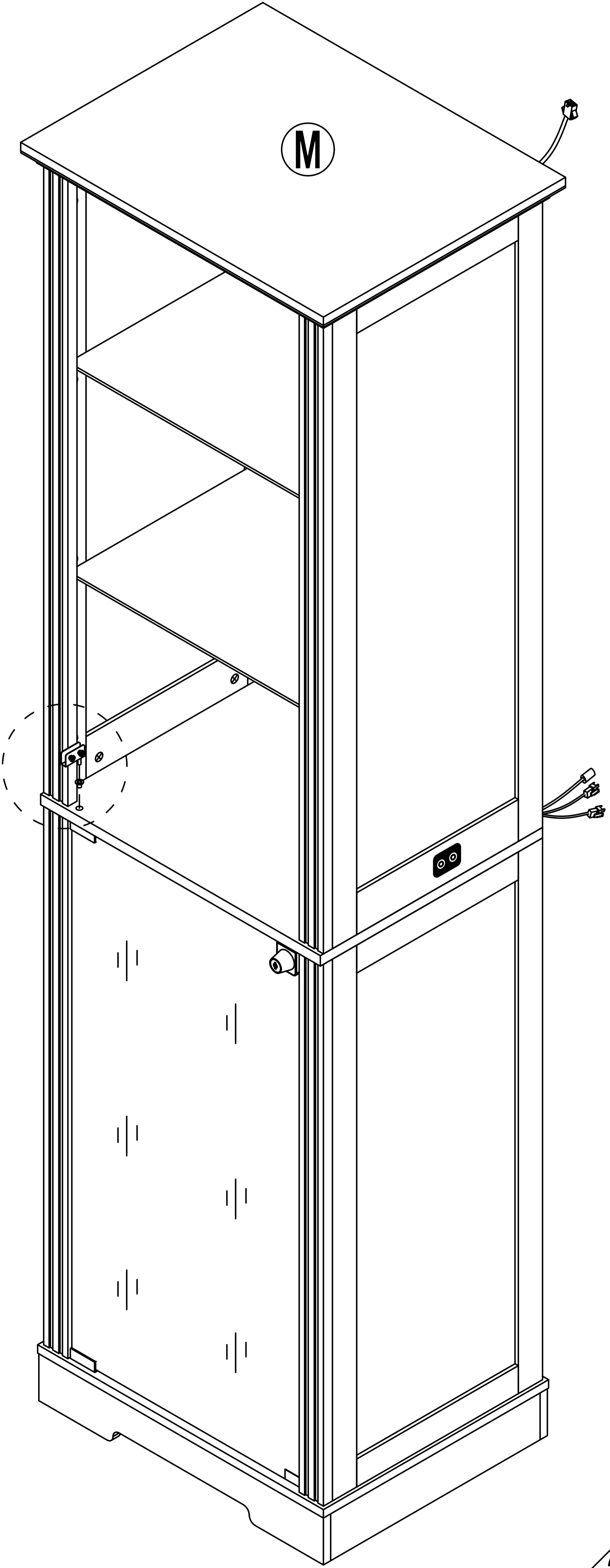
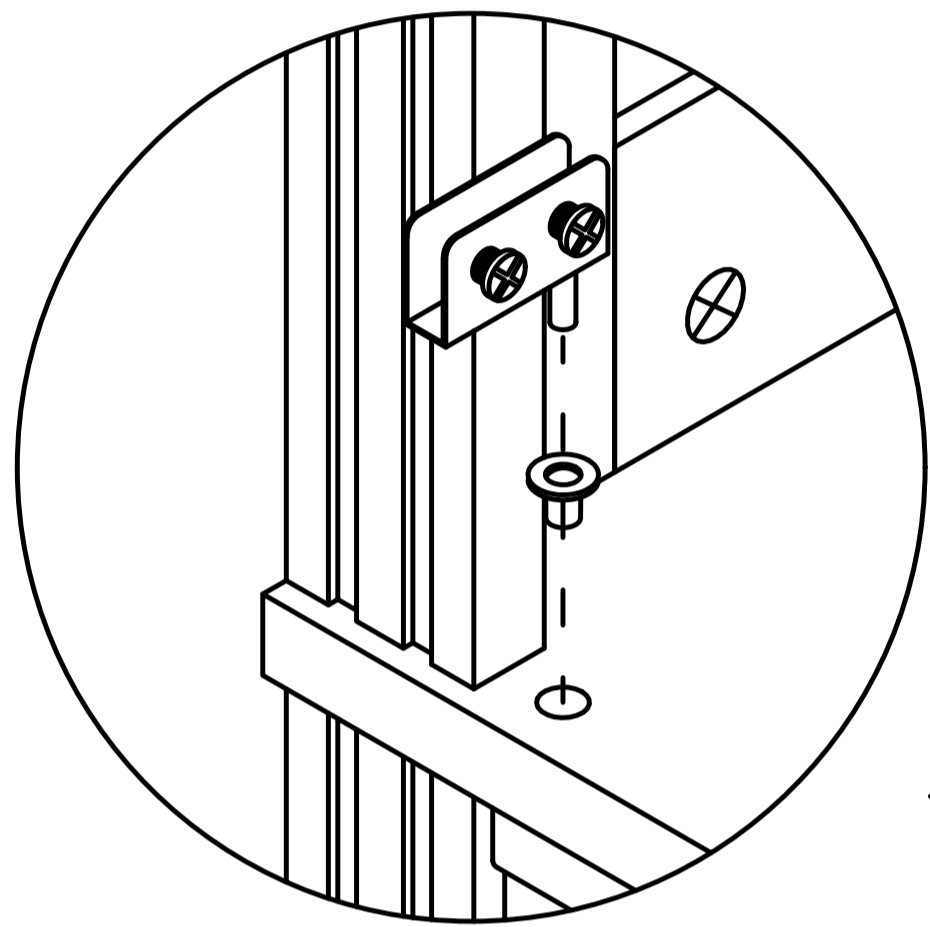
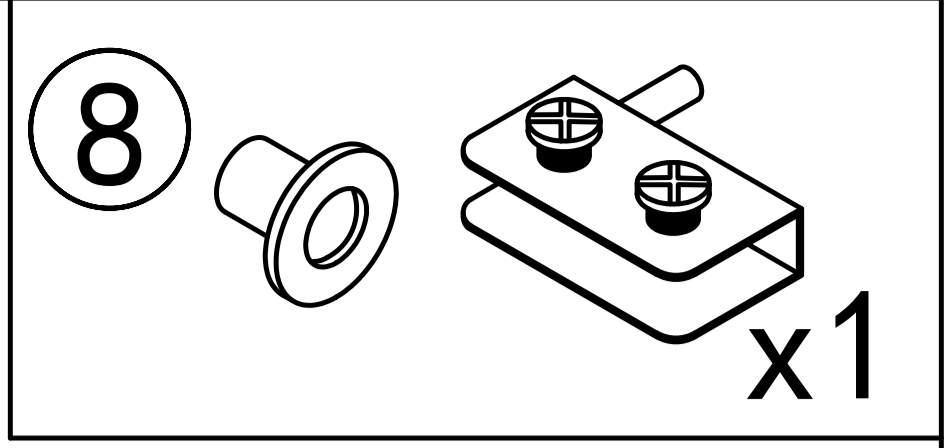
first



second



Step 34



Step 35

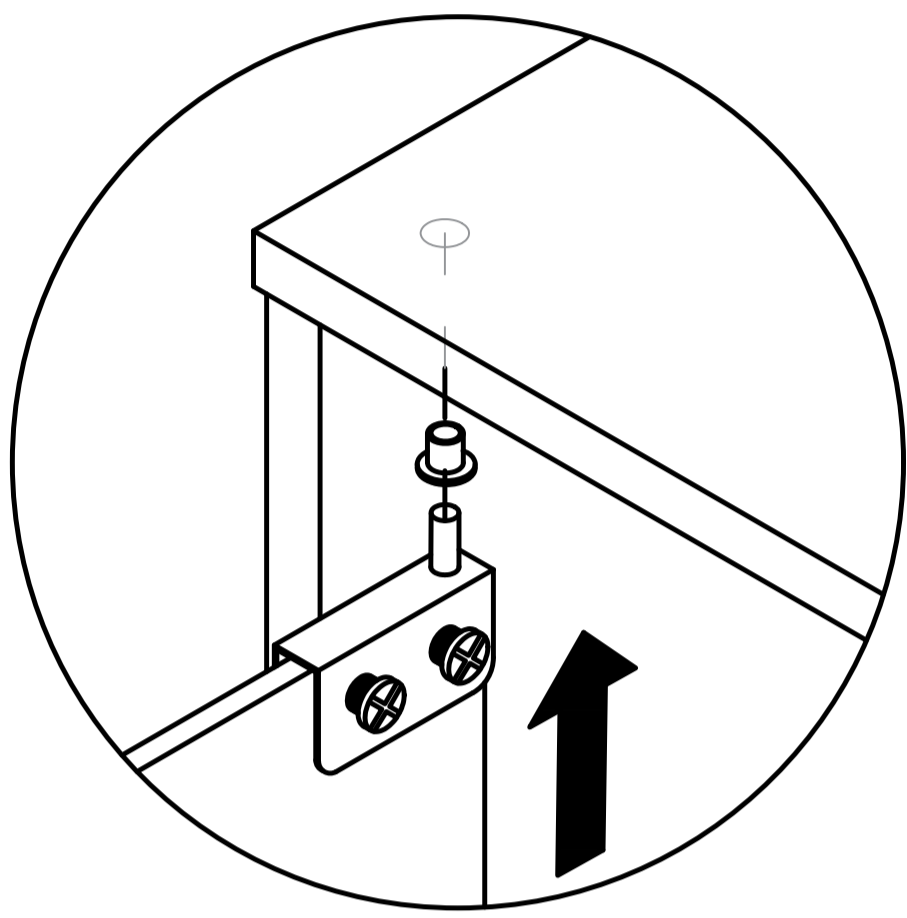
Pay attention to the direction of the door hinge during installation

8

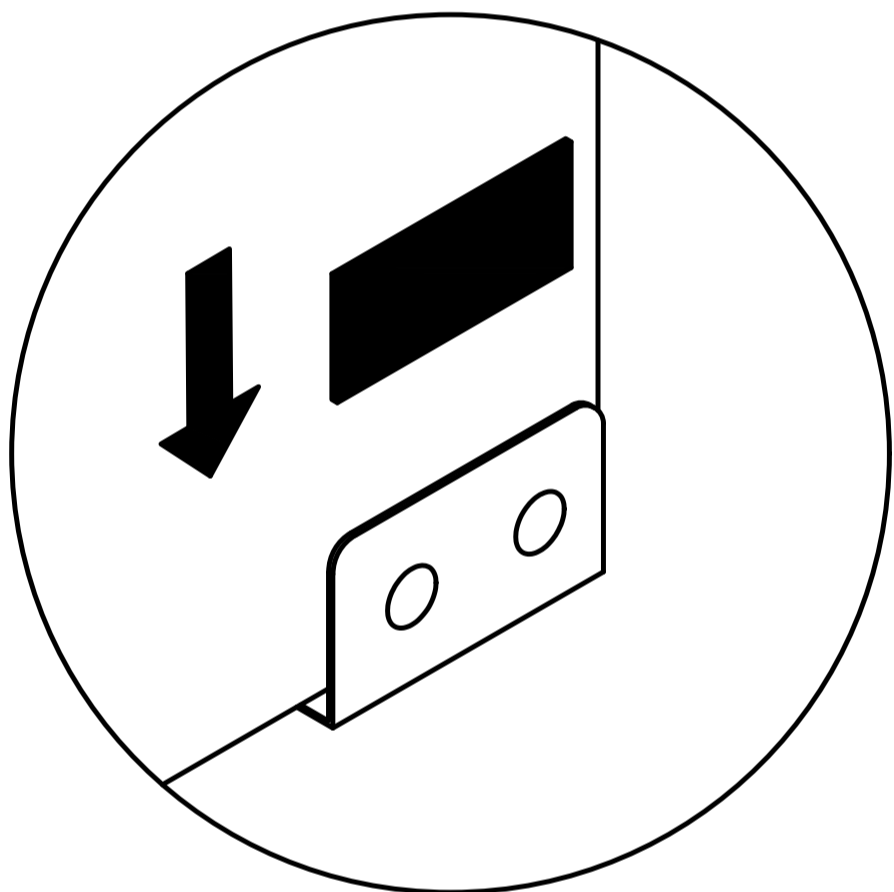


x1

When installing a glass door, it is recommended to have two people install it to avoid the glass door colliding or hitting oneself.

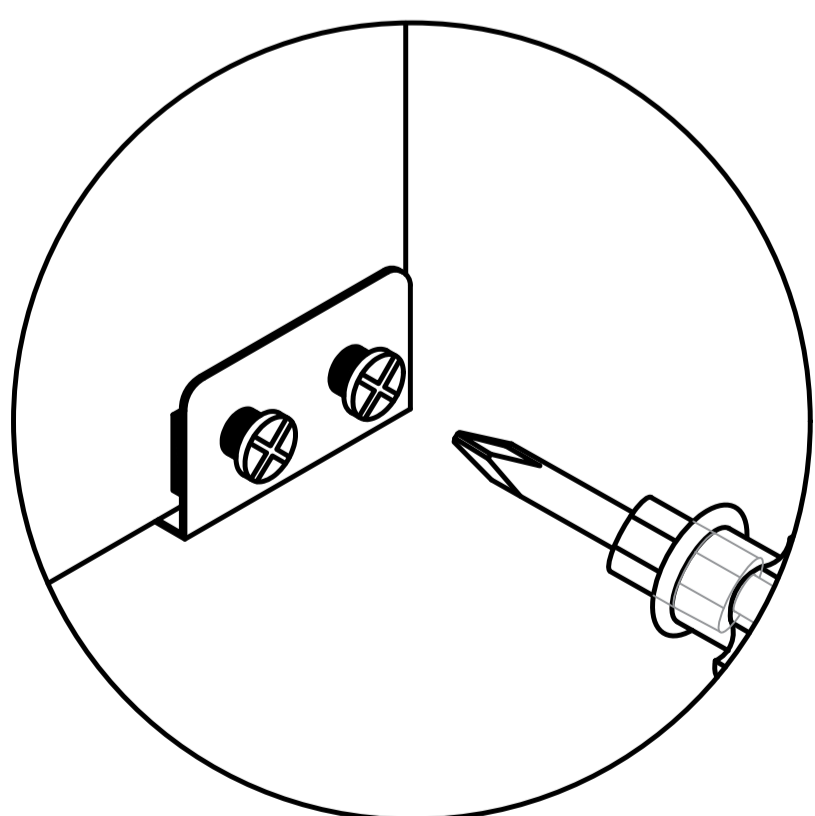


first



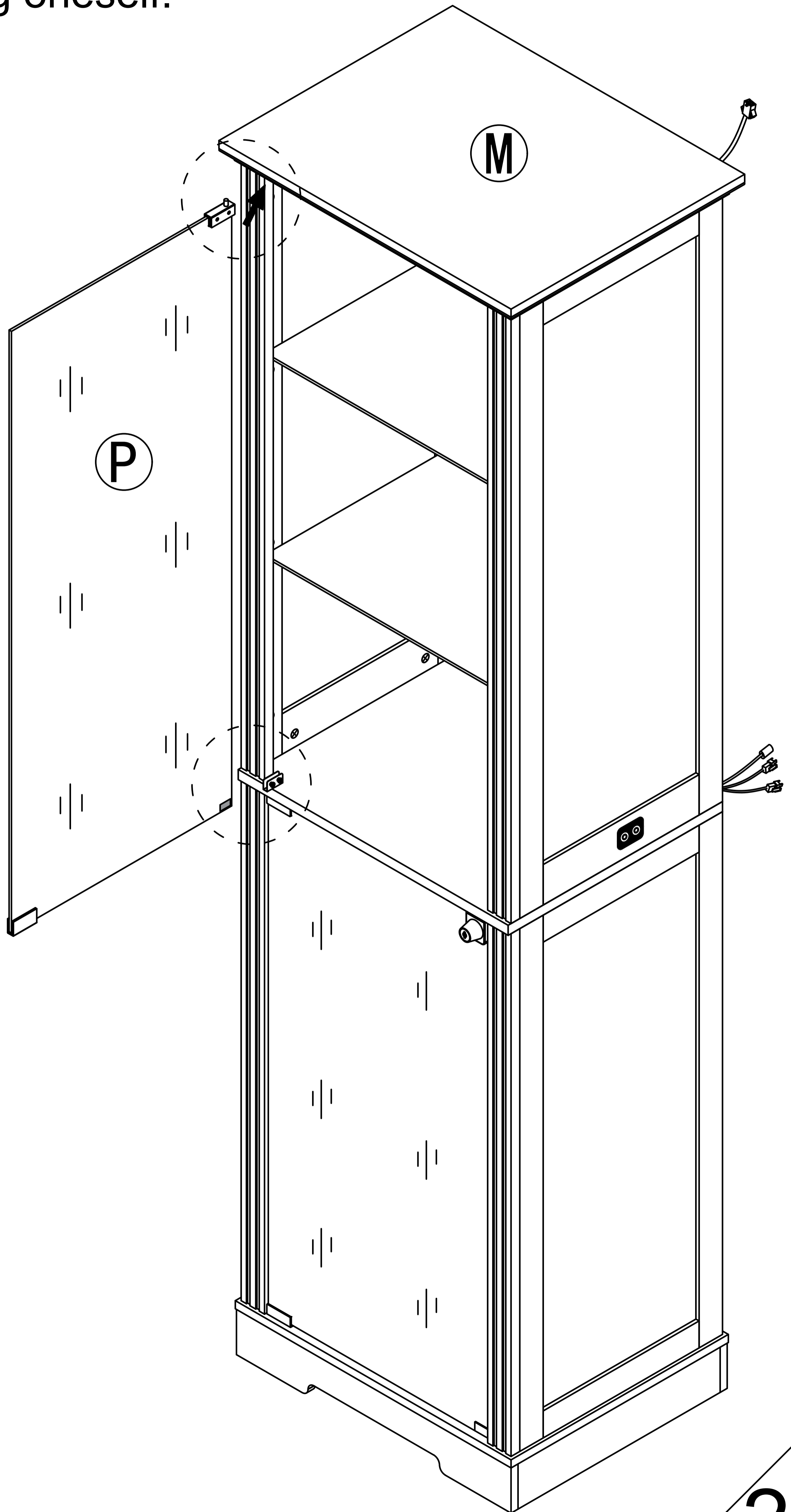
second

After installing the glass door, place the black gasket on the side where the screws are installed



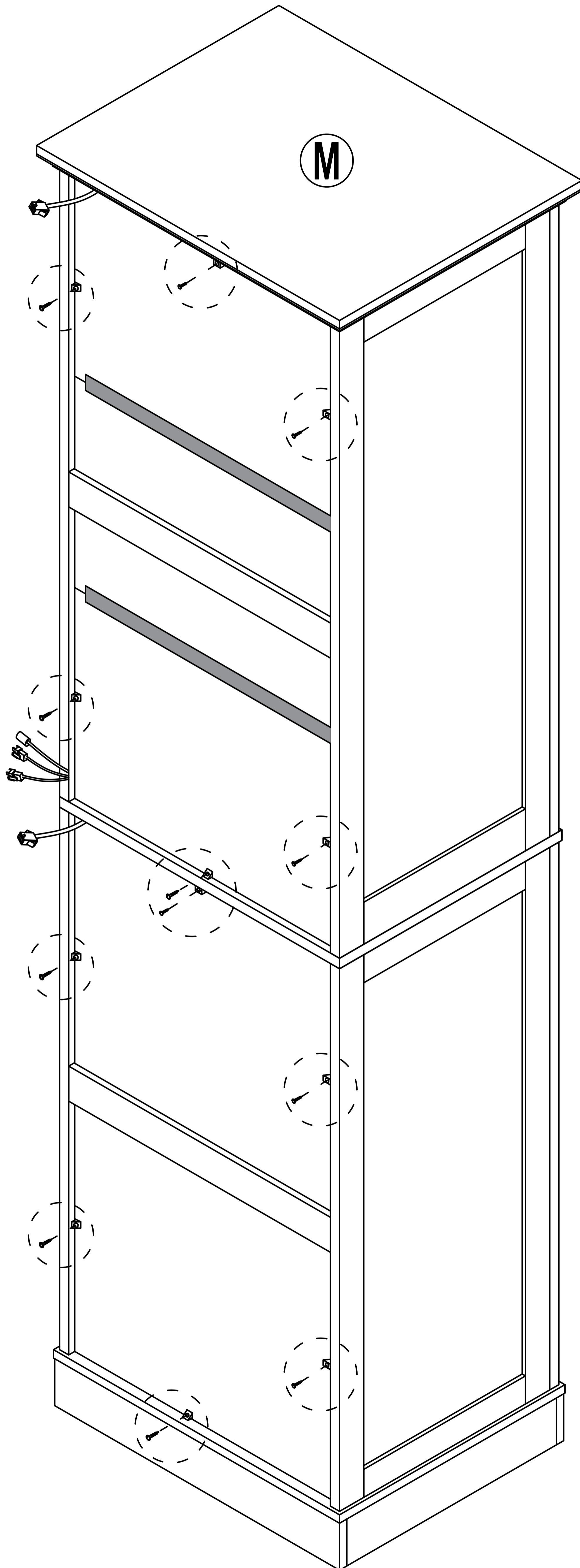
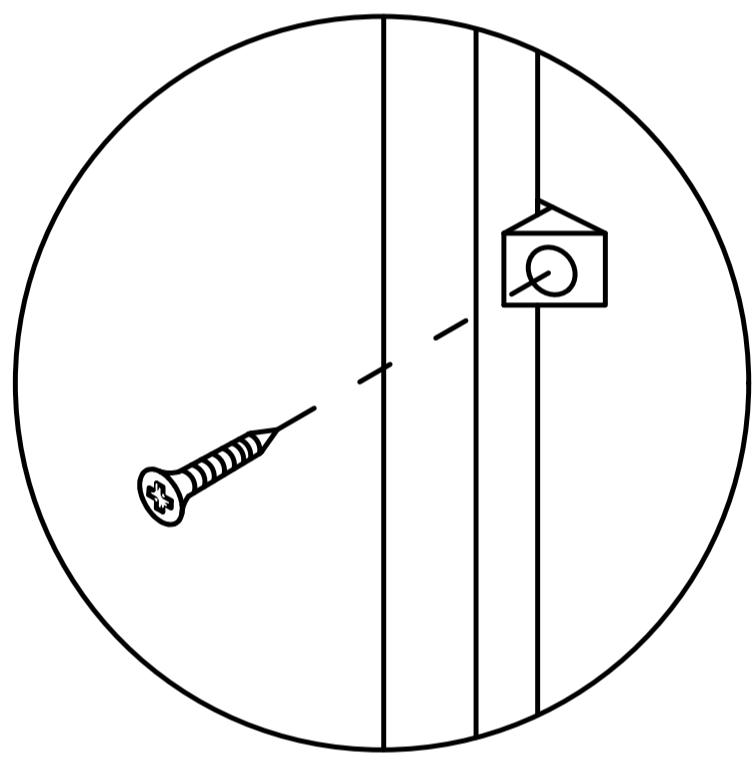
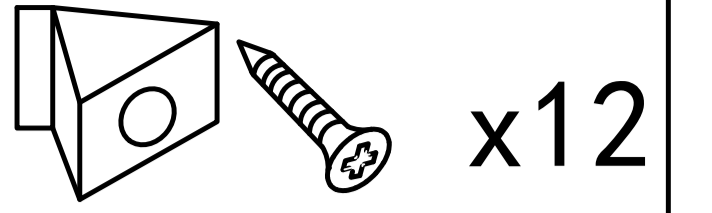
third

Locking screw

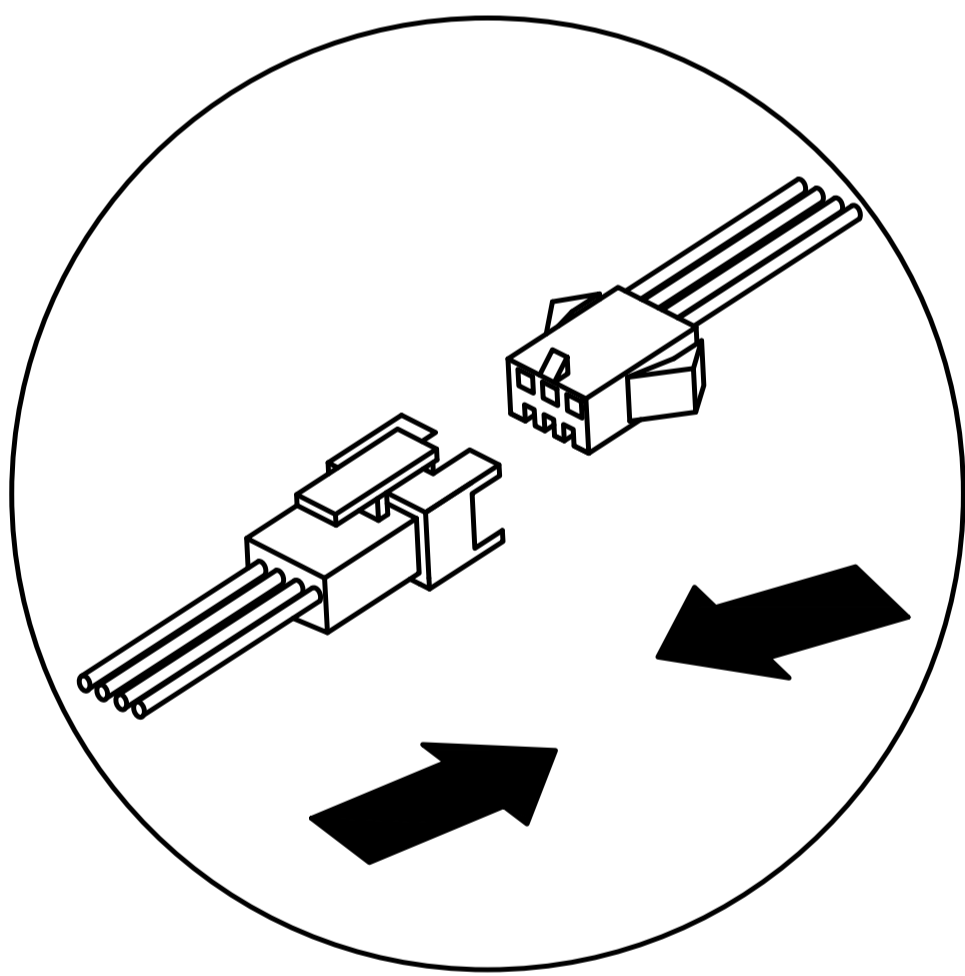
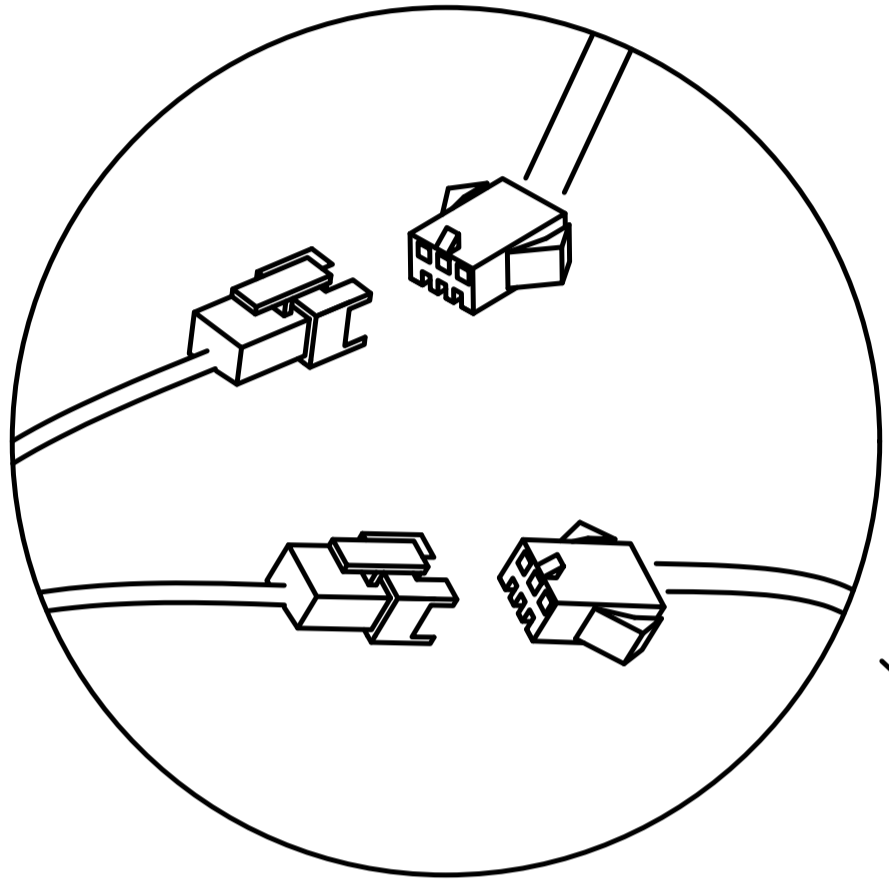
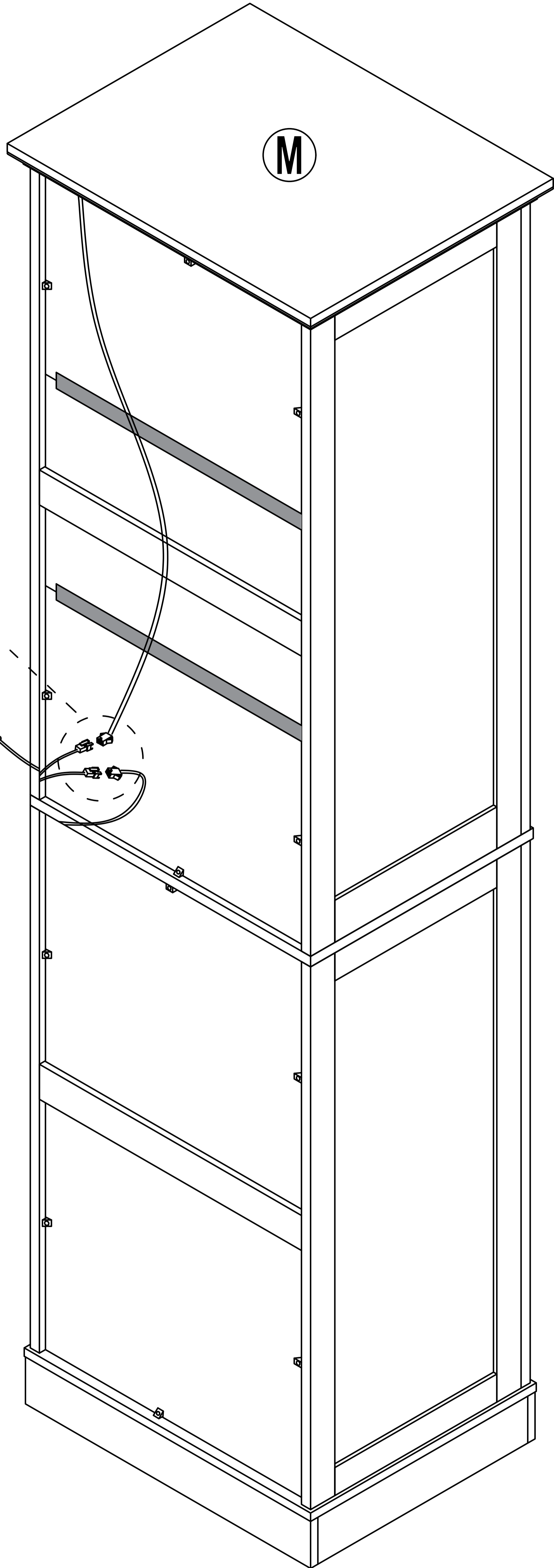


Step 36

5

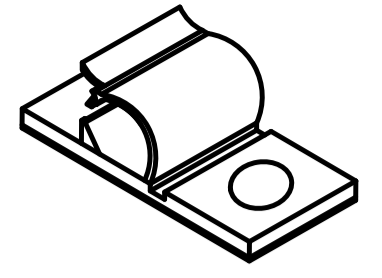


Step 37

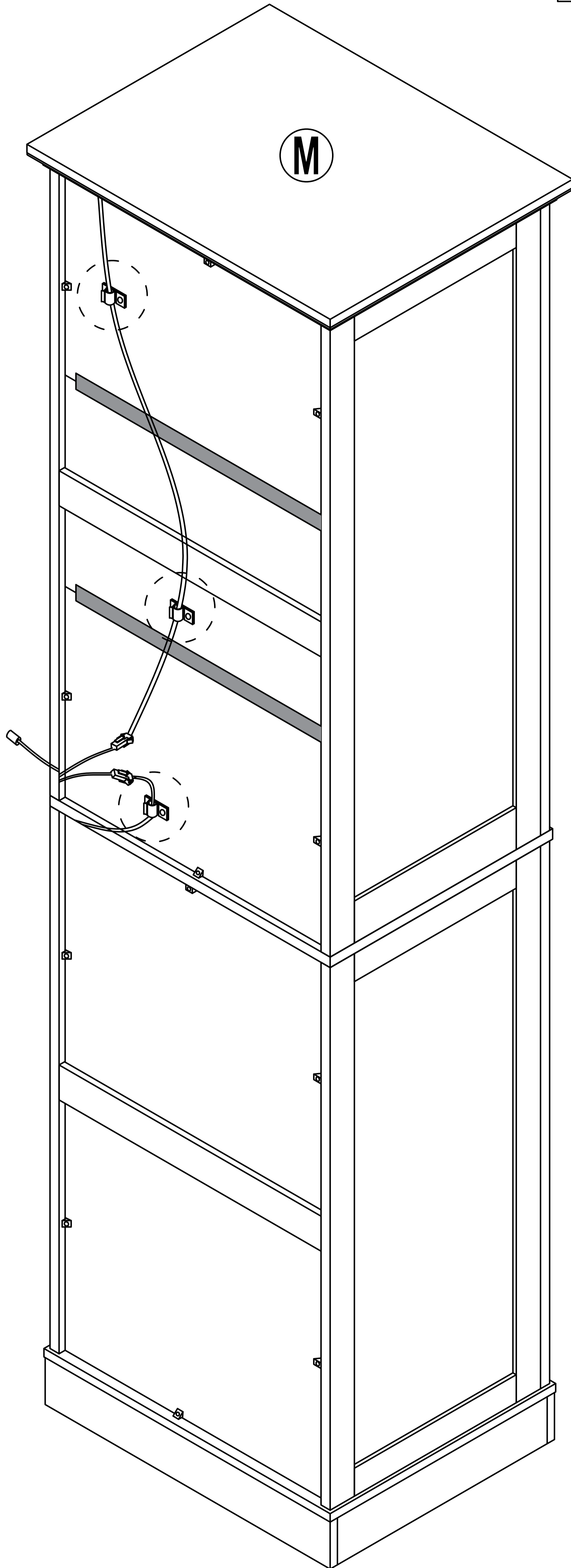
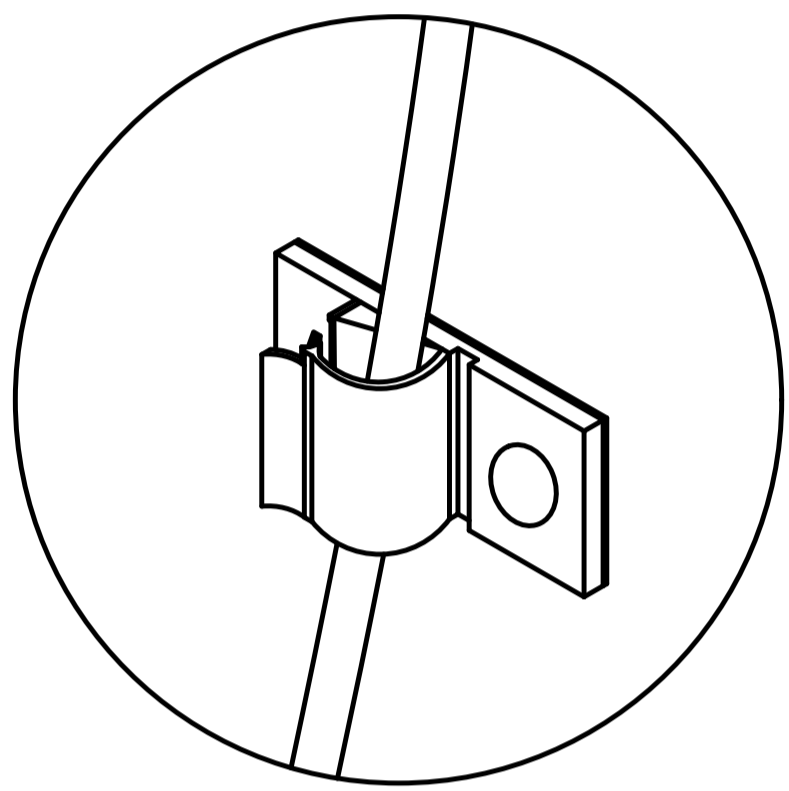


Step 38

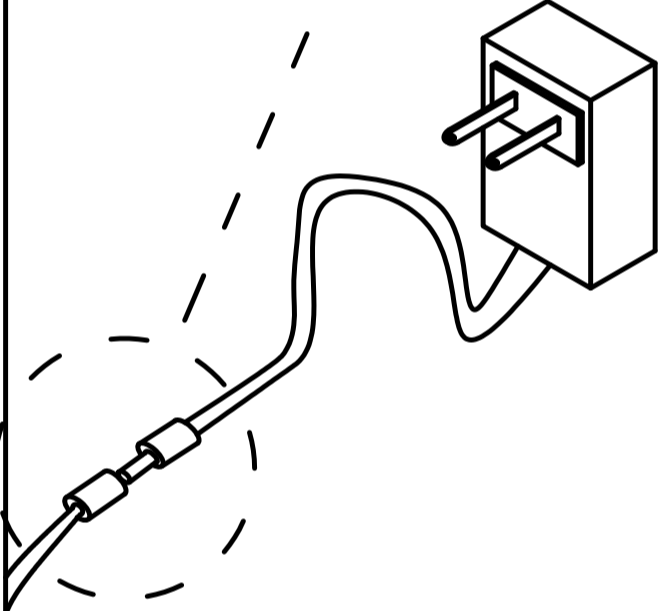
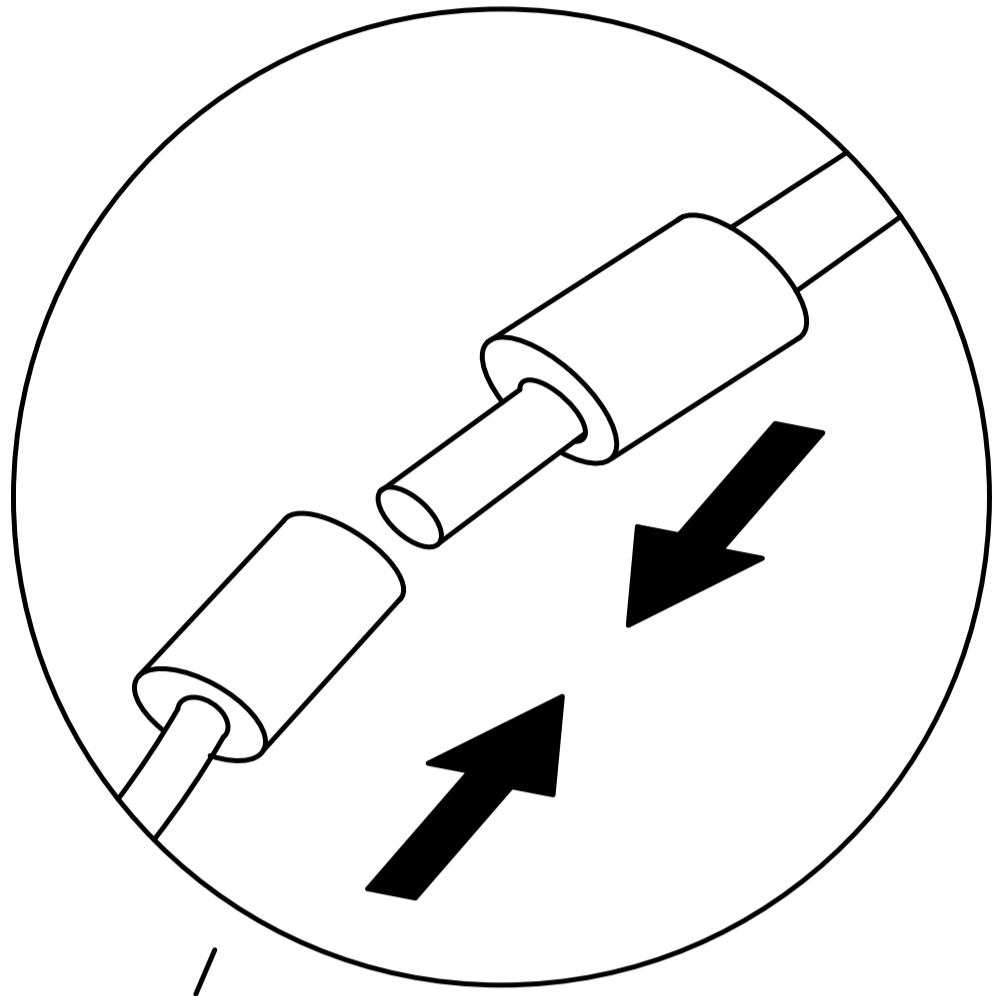
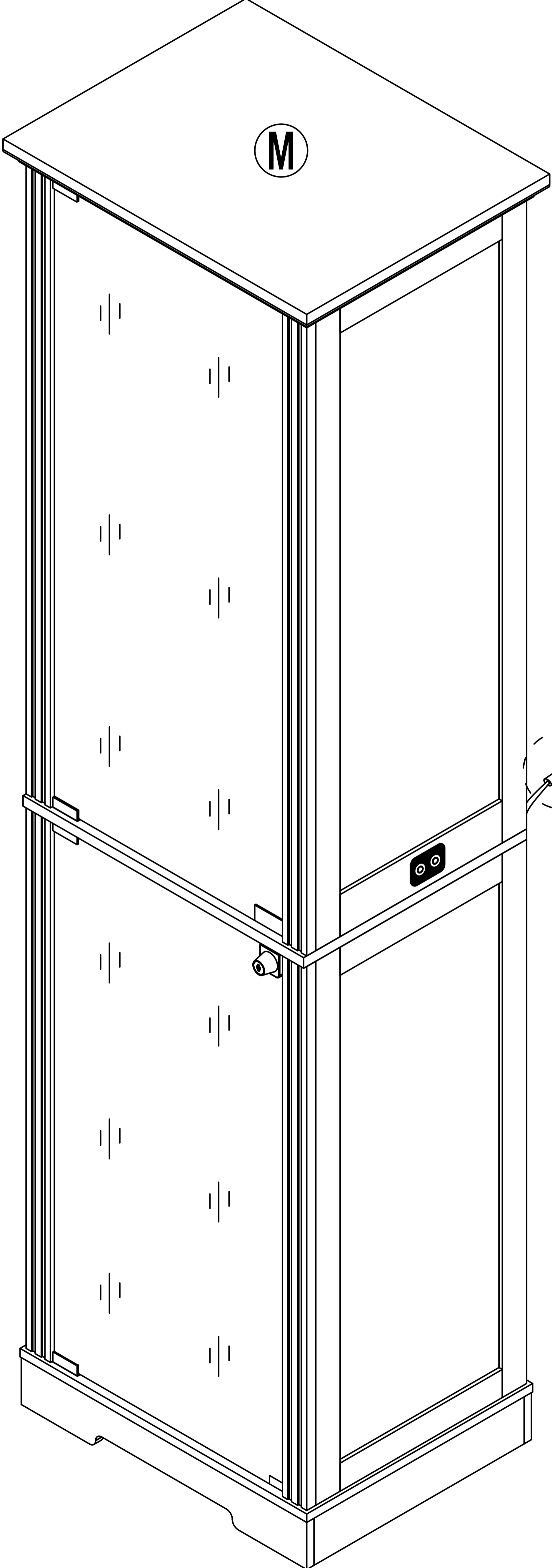
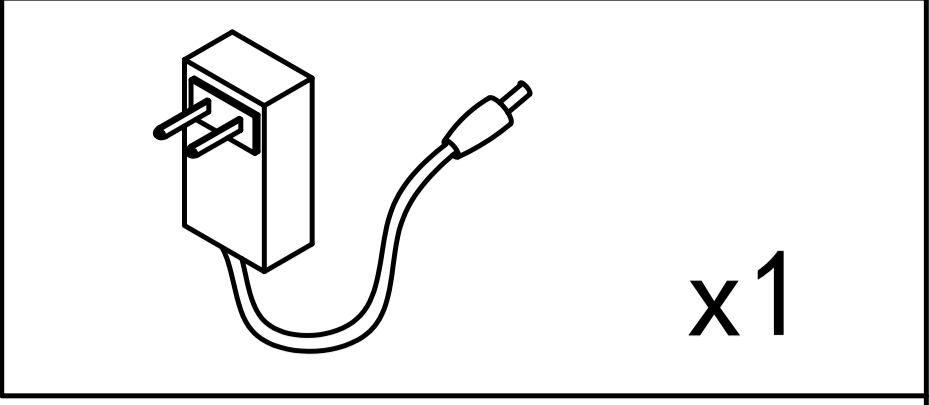
6



x3

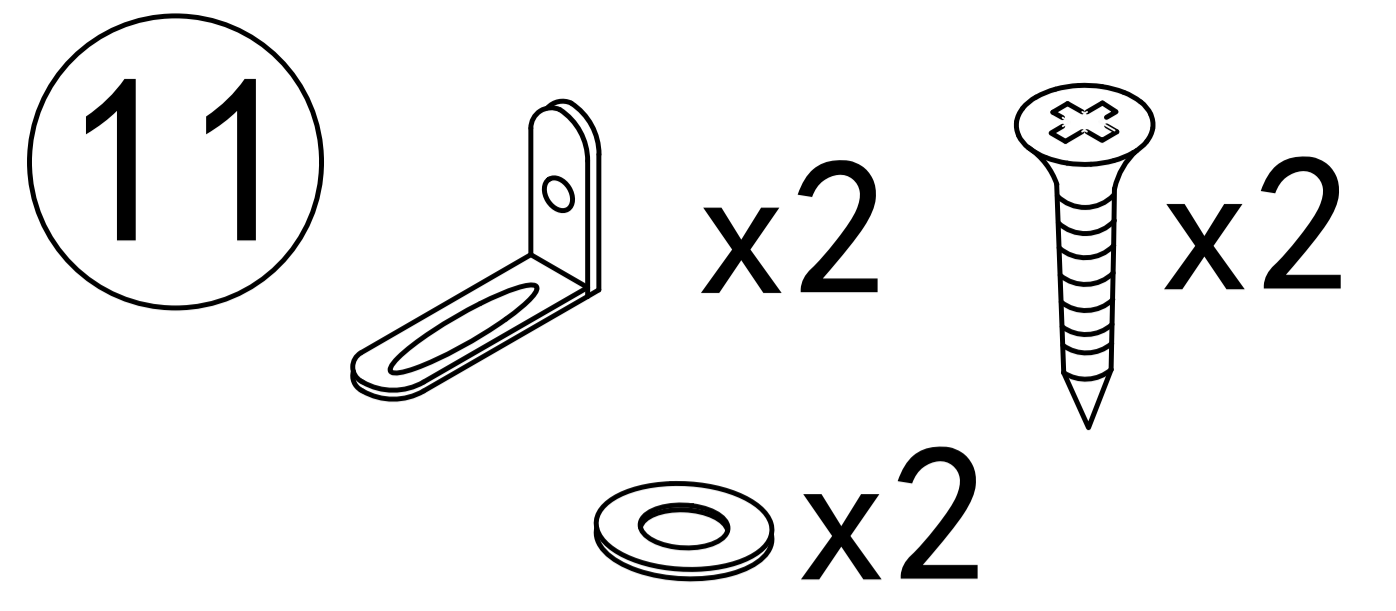


Step 39

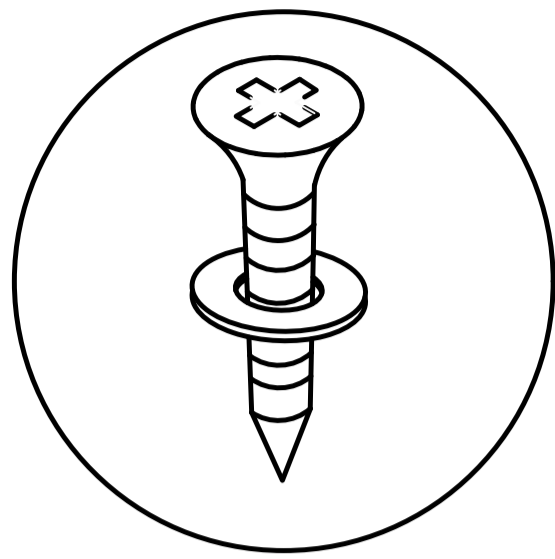


Step 40

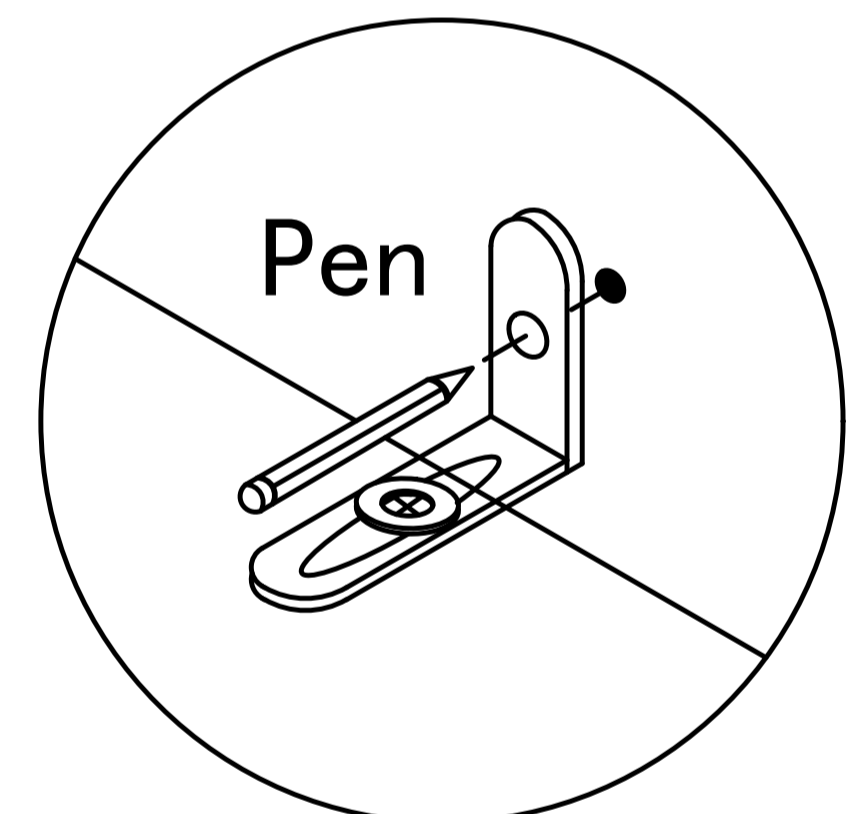
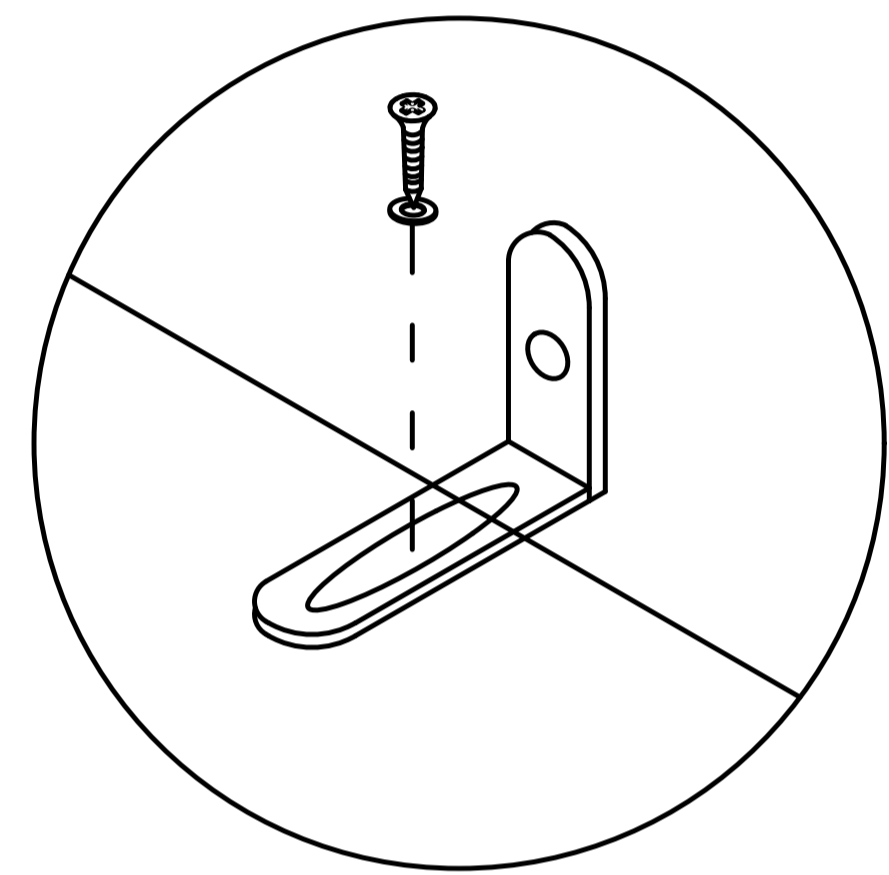
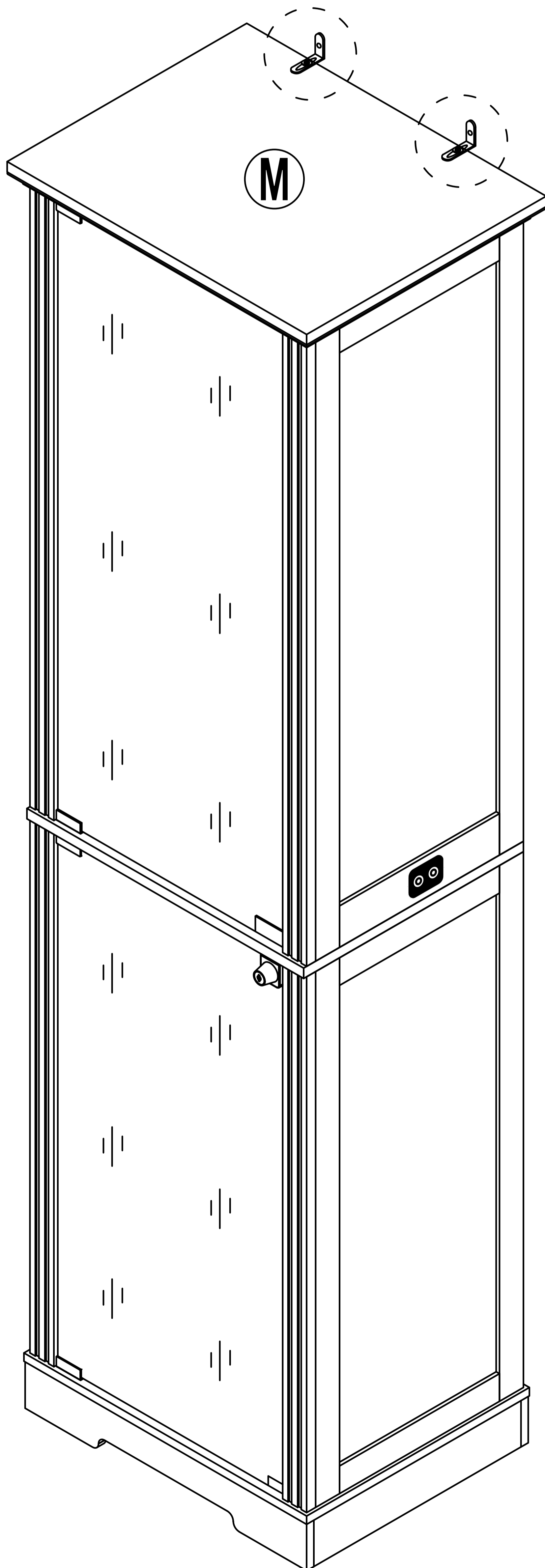
Install as required



3.5x14mm

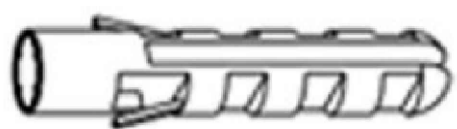
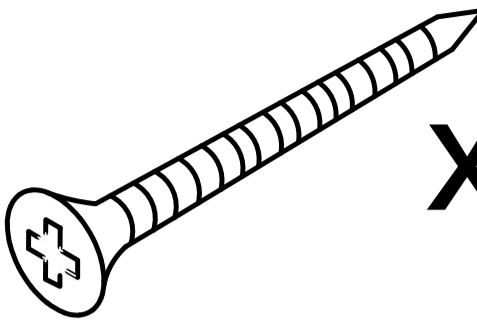



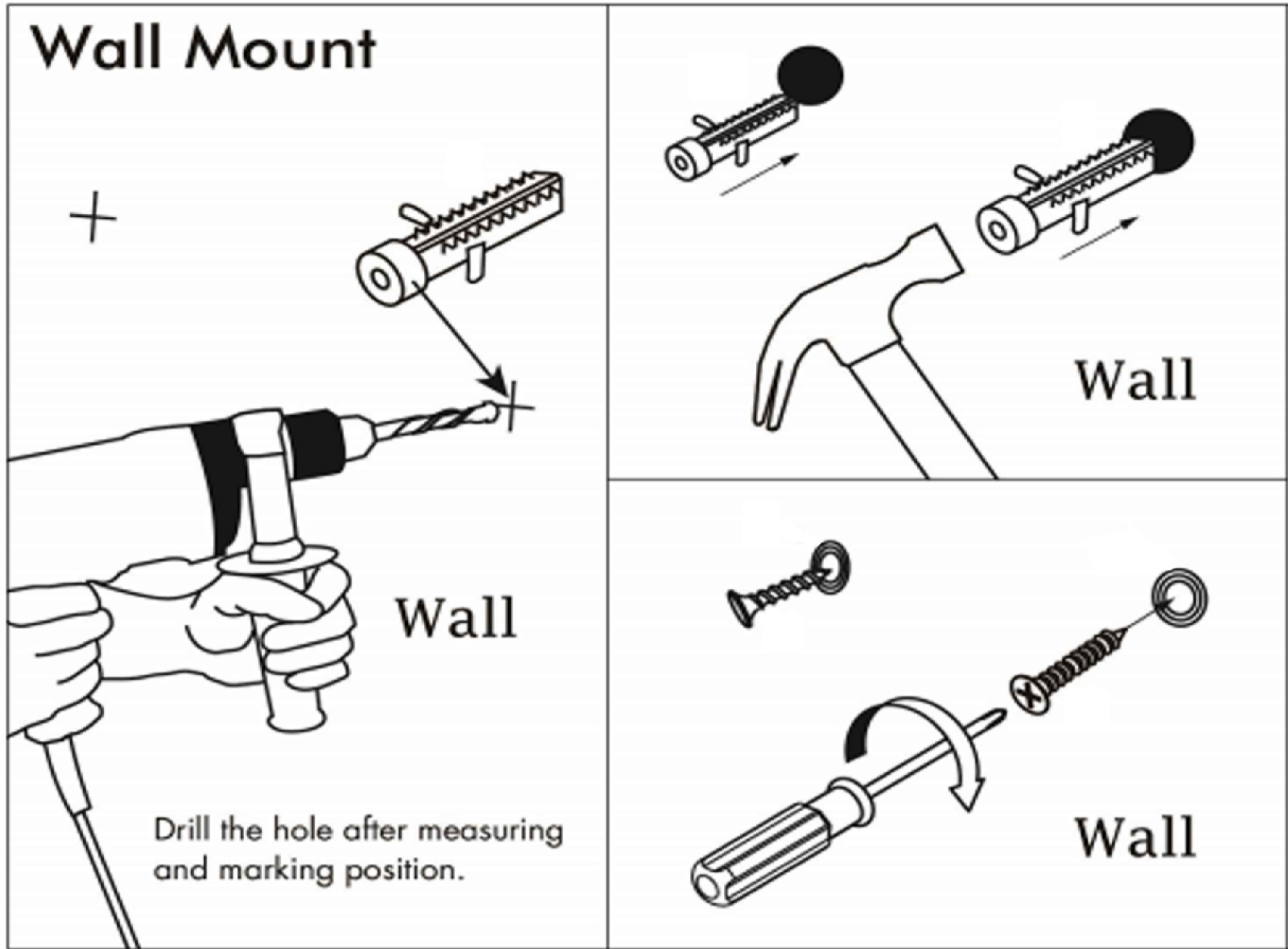
Install the anti fall hardware on the cabinet as shown in the picture first



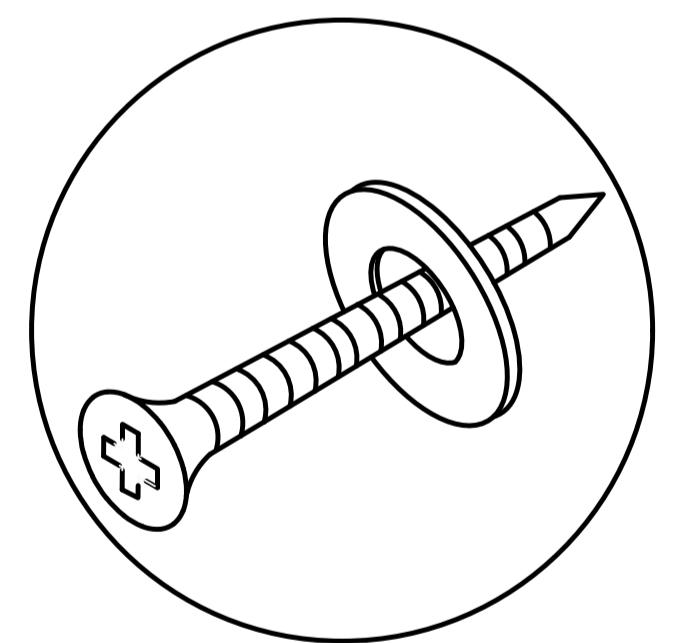
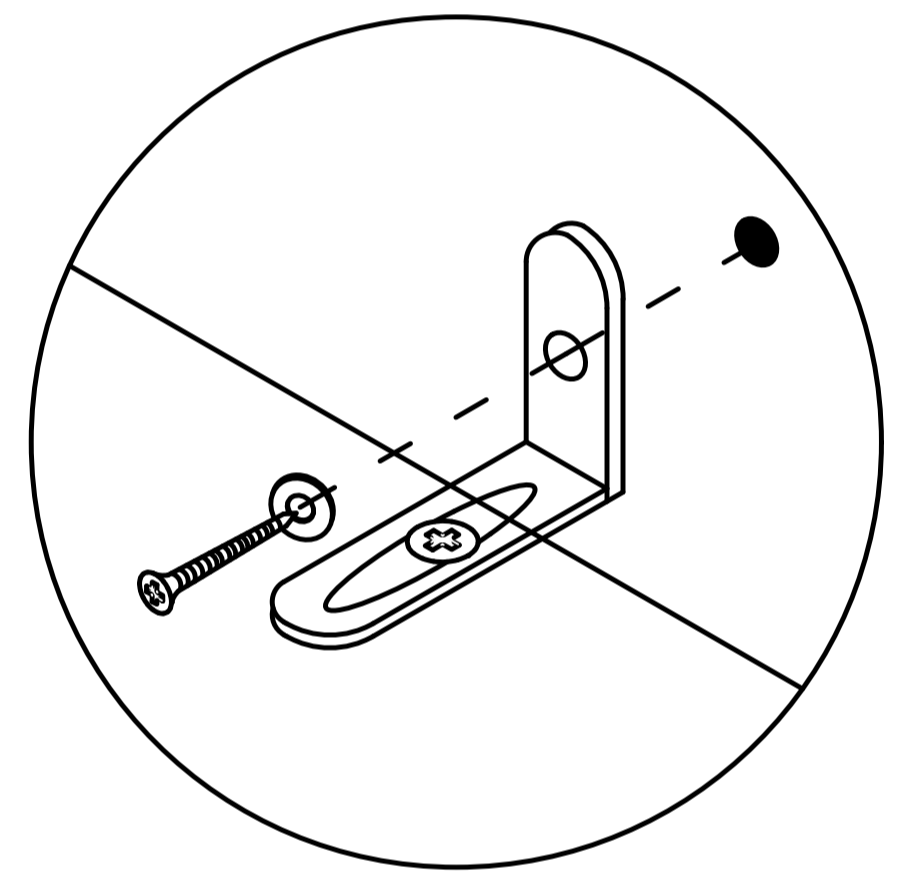
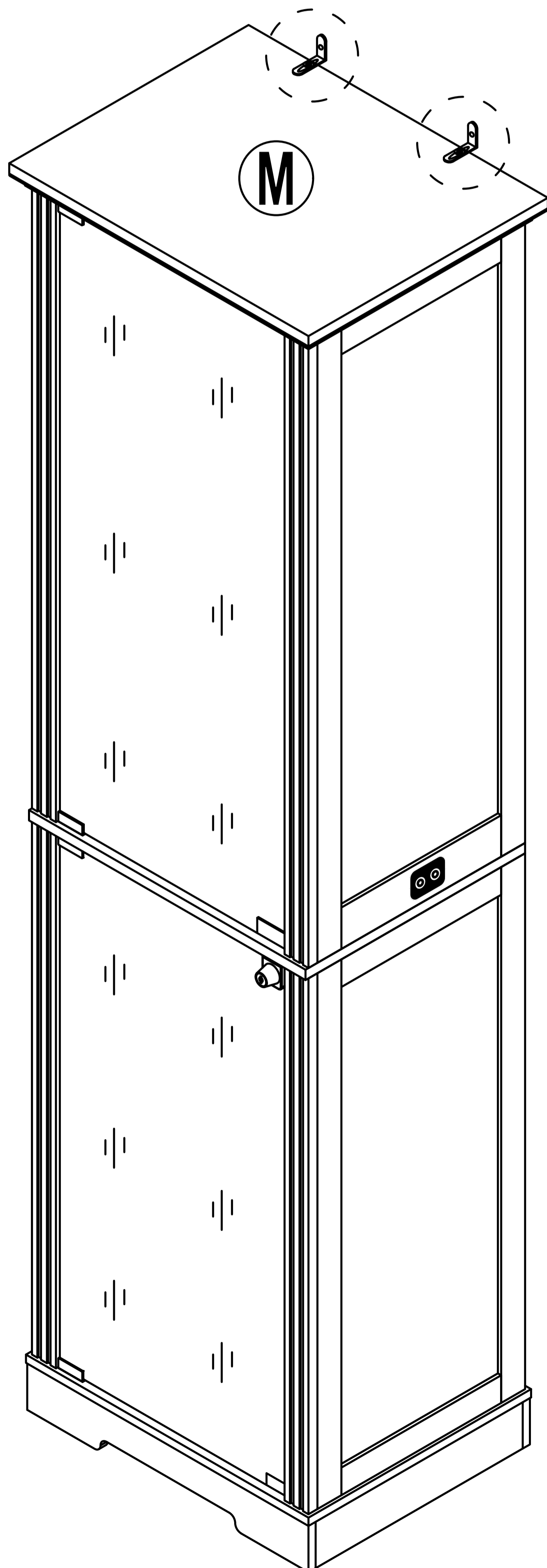
Then mark the wall with a pen through the holes in the anti-fall hardware

Step 41

- 11  x2
-  x2  x2



Drill the hole with an electric drill and punch in the colloidal particles



4x45mm

Fix the dressing table to the wall

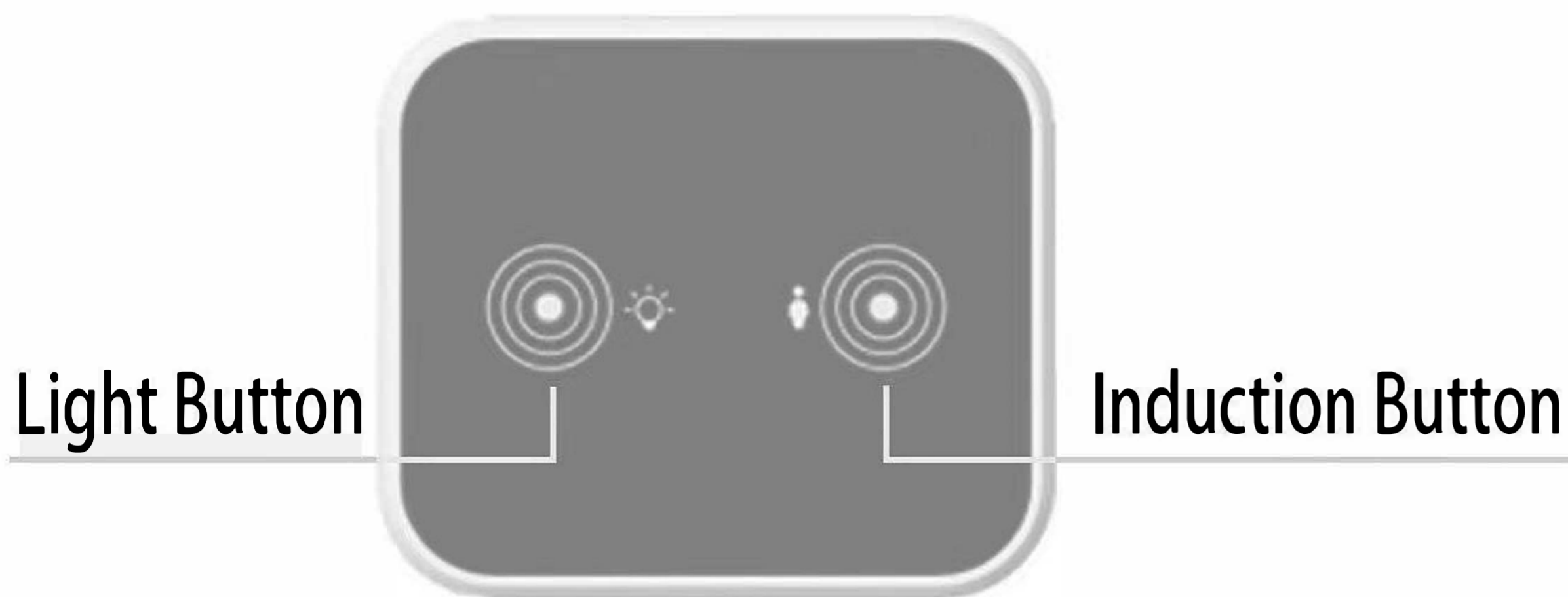
User's Guide

Thank you for purchasing this product. To use this product, please plug it into a 12V DC power supply. Please use if the product works normally after connecting to power.

Introduction

The box is an intelligent controller with 2 touch buttons. It can turn ON/OFF the light, change light colors, and adjust the light luminance.

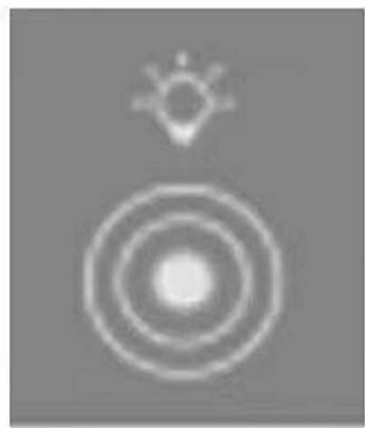
Product Show



ATTENTION PLEASE

1. If there is no touch response suddenly, Re-plug the power to reset the touch static electricity.
2. If bubbles appear on the panel, remove the protective film.

Operation



This touch button is used to turn on/off, change colors, and adjust brightness.

A. Short touch -> lighting on -> short touch -> change light color -> short touch -> change light color -> short touch -> lighting off. B. Long touch -> adjust the luminance



This touch button is used to turn on/off the induction function.

A. Short touch to turn on the induction function. It can auto-turn on the light when people are close to the controller in 1 meters. It can auto power off the light when the body is far away from the controller after 30 seconds.

B. Long touch to turn off the induction function.

C. Note: When you touch the light button to change the light modes, the induction function will automatically turn off. It is best to turn on this function after selecting the light color and adjusting the brightness you want.