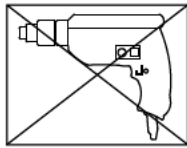


# Assembly Instructions



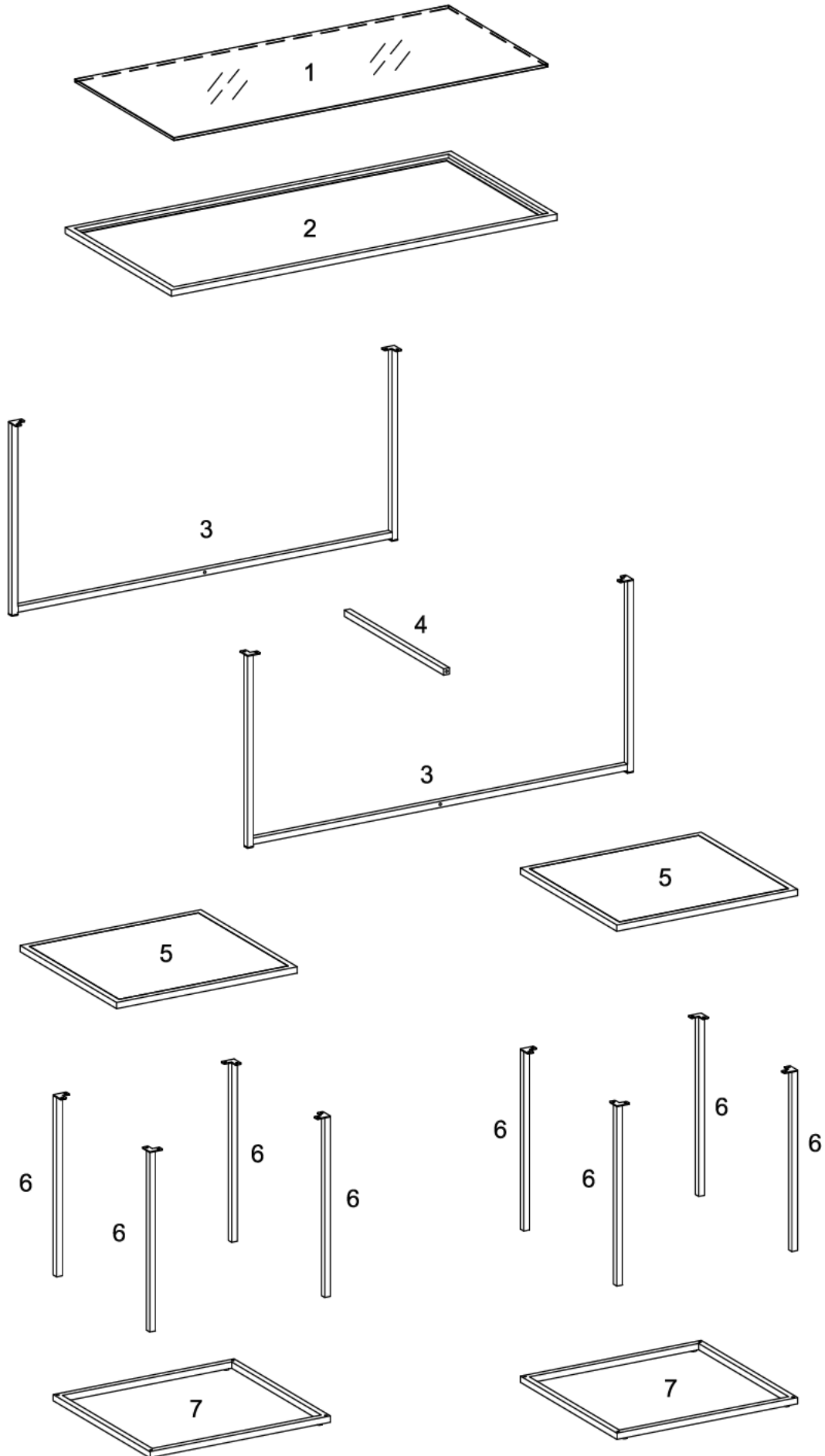
# General Assembly Guidelines

- I. Ensure that all parts and hardware are available before beginning assembly.
- II. Follow each step carefully to ensure the proper assembly of this product.
- III. Two people are recommended for ease in the assembly of this product.
- IV. The main type of hardware used to assemble this product are: bolts and screws.
- V. Power tools should not be used to assemble this product.



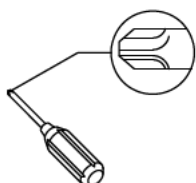
- VI. Drill may be needed for securing product to wall.

# Parts List



# Hardware List

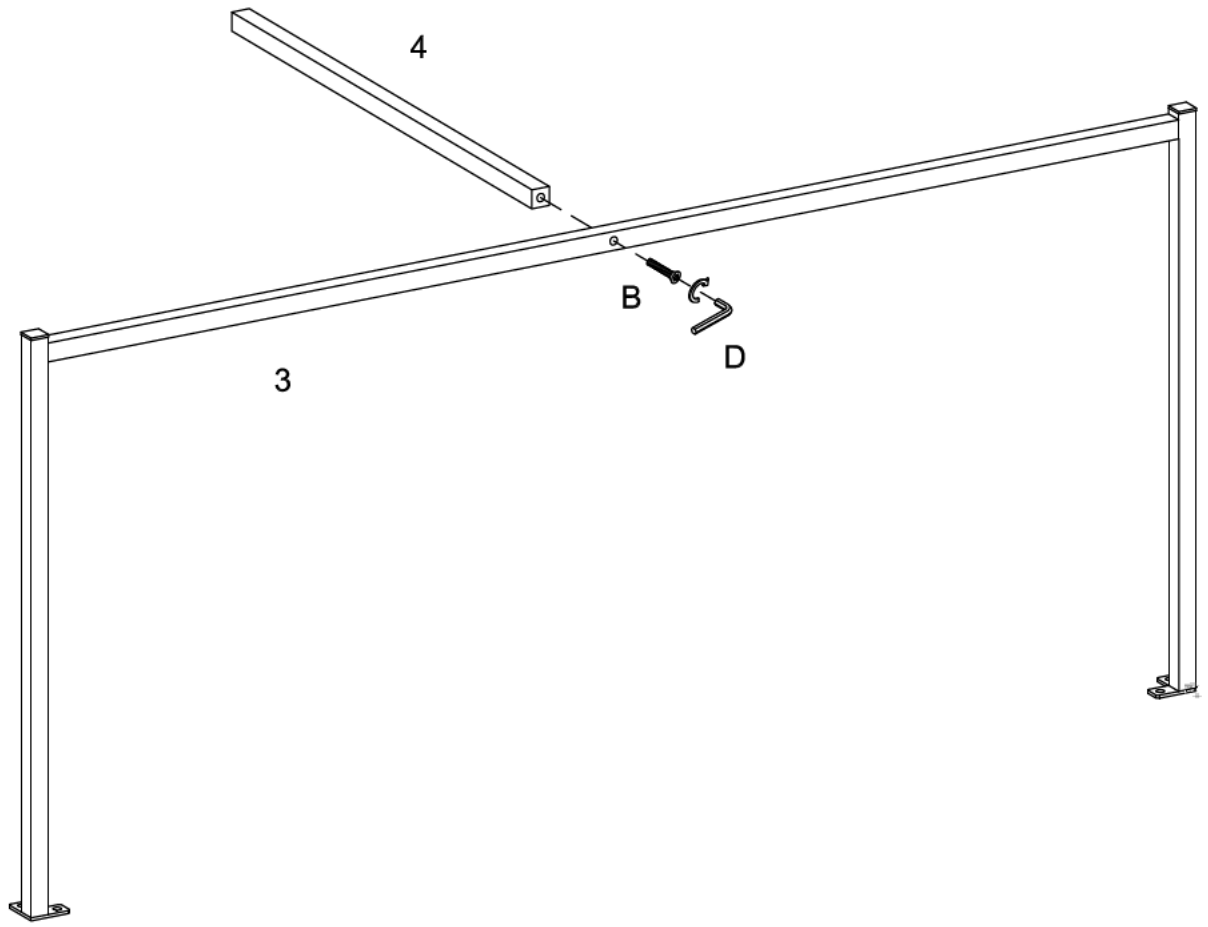
A		M6x12mm	Bolt	24	pcs
B		M6x30mm	Bolt	10	pcs
C			Glass pad	6	pcs
D		M 4	Hex key	1	pc



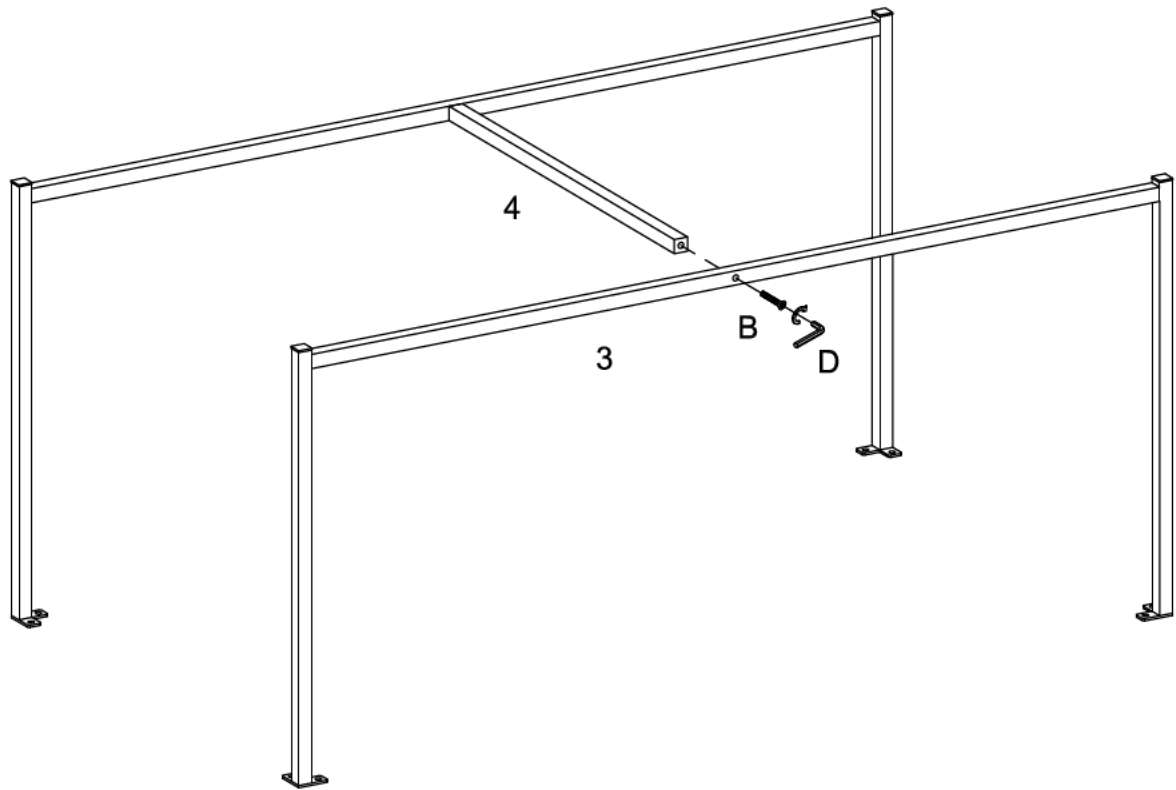
Philips head screwdriver required for assembly  
(not included)

*The hardware quantities listed above are required for proper assembly.  
Some extra hardware may also have been included.*

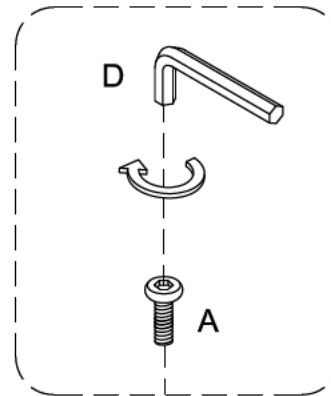
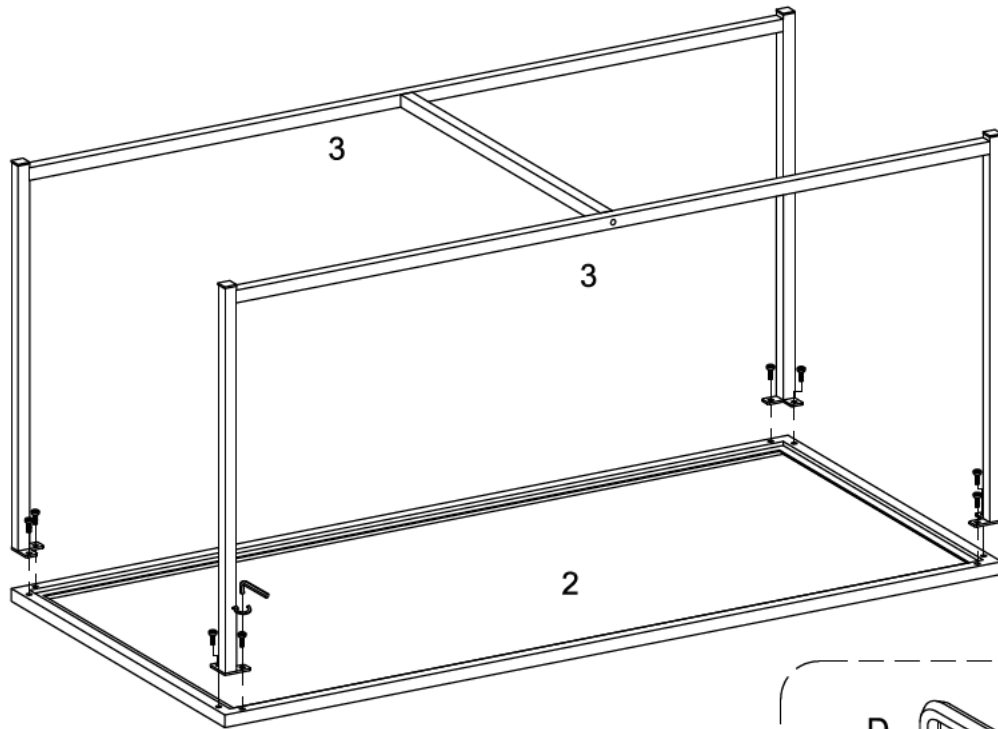
# Step 1



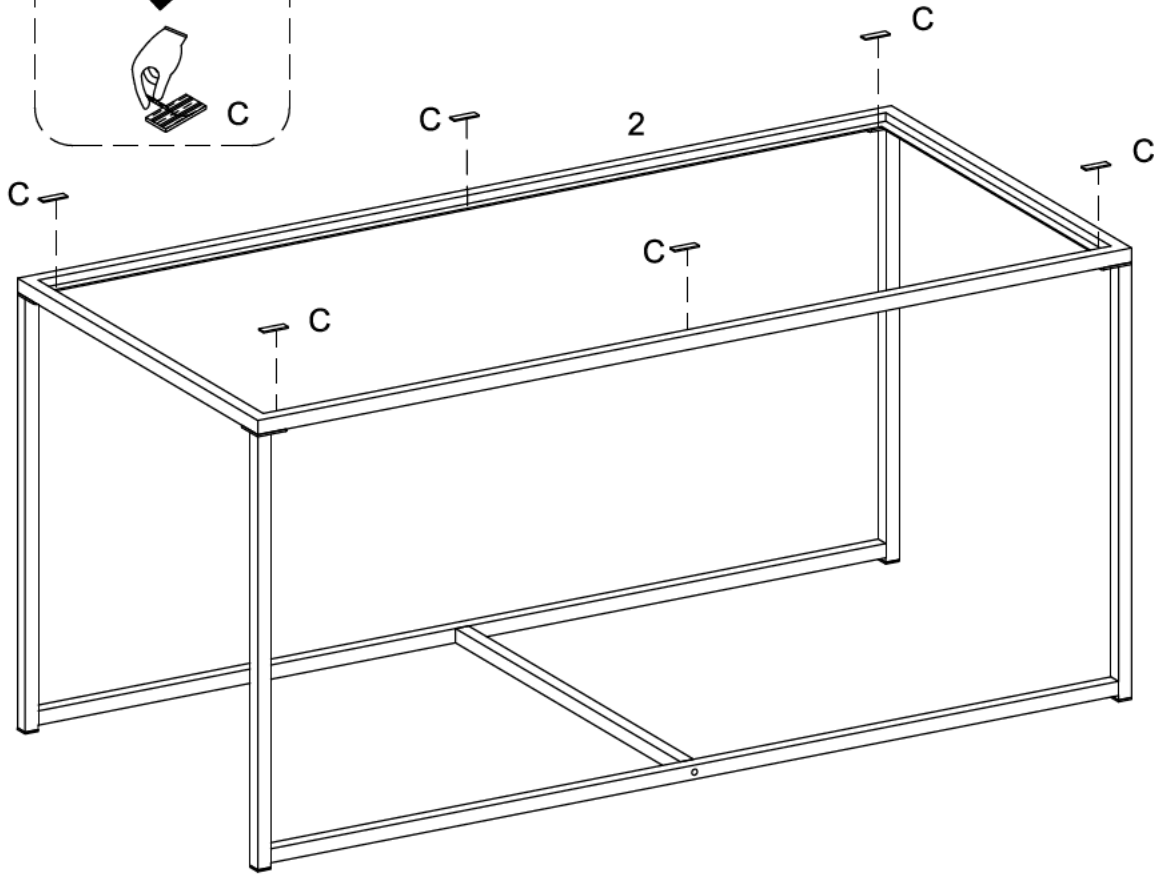
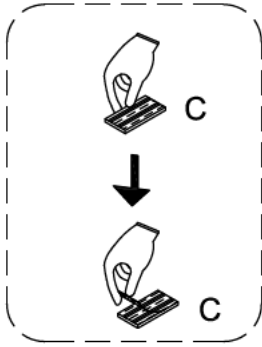
# Step 2



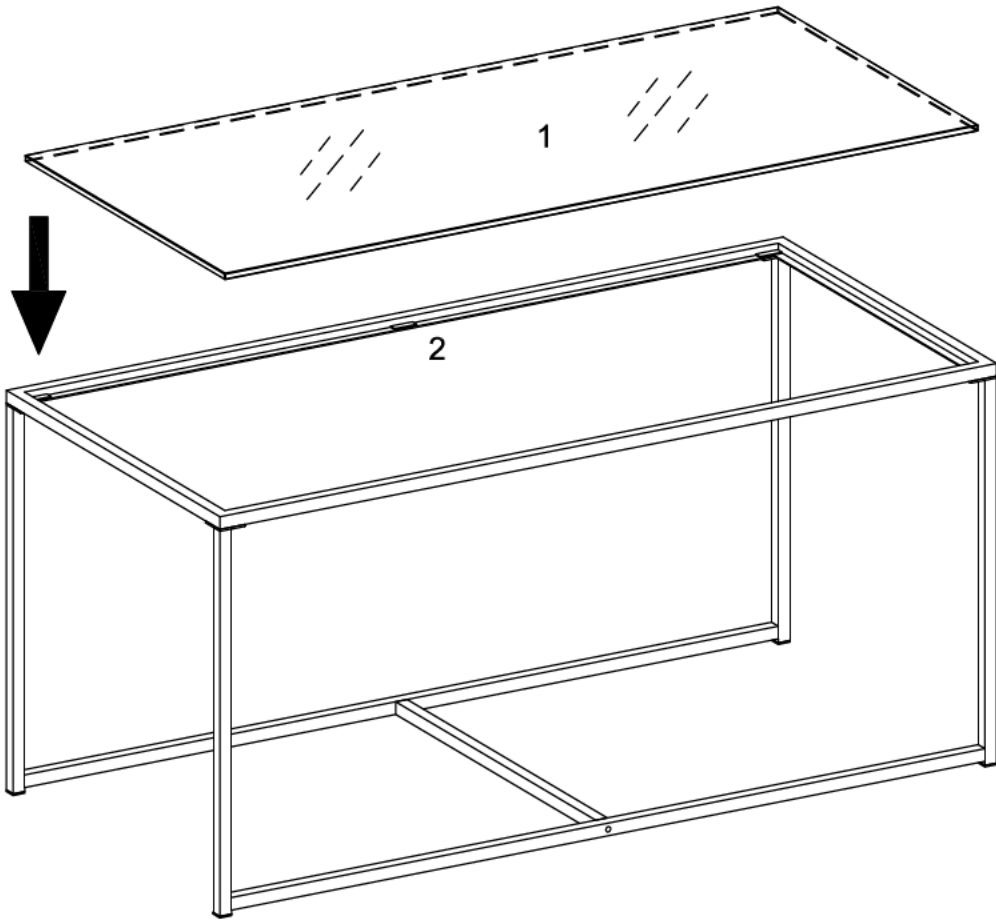
# Step 3



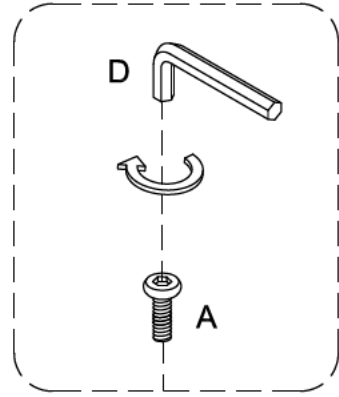
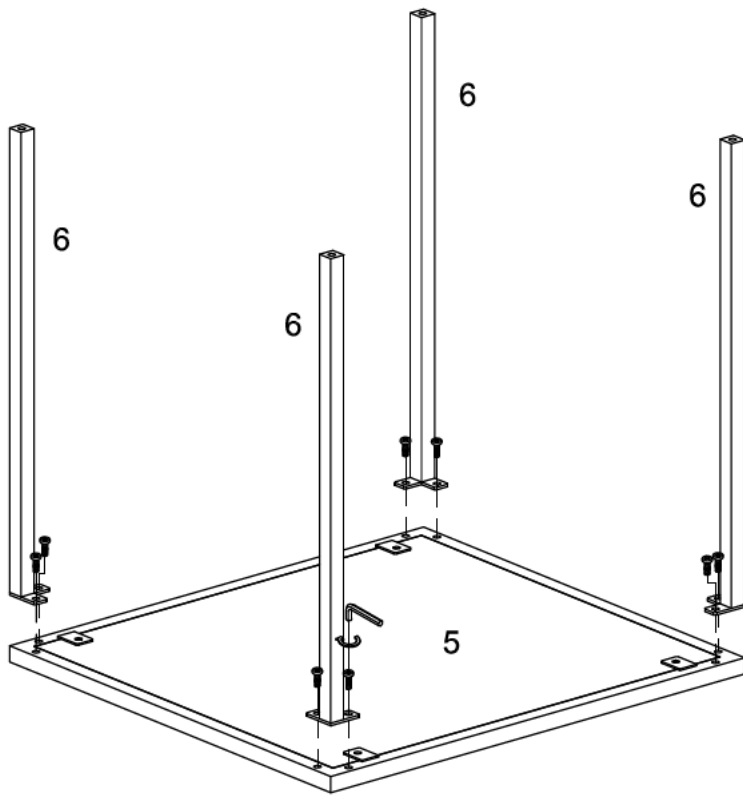
# Step 4



# Step 5

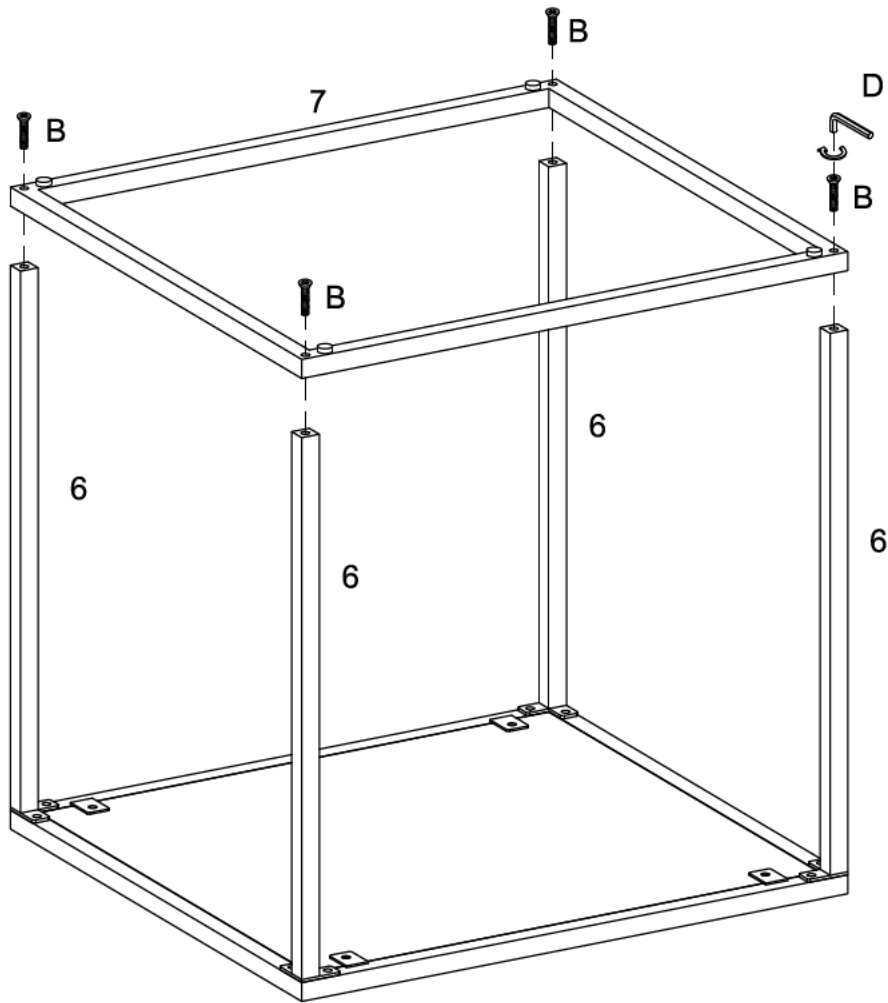


# Step 6



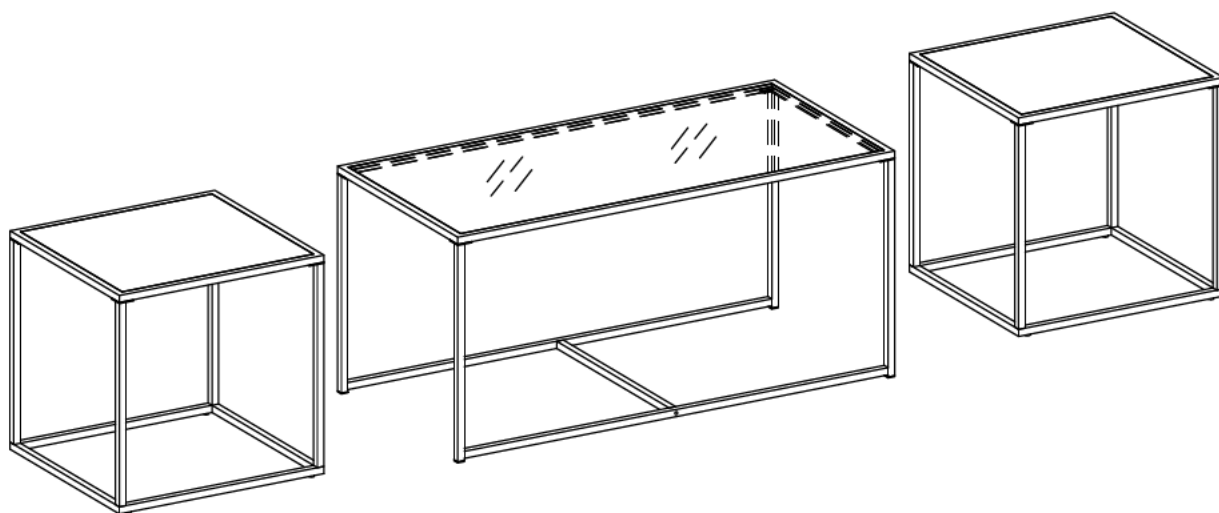
x 2

# Step 7



x 2

# Step 8



**Final Assembly**