

PRESRV™

REFRIGERATOR
FREEZER DRAWERS

DUAL ZONE



With superior versatility and the ability to blend perfectly into your existing cabinetry, these dual zone drawers are ready to chill at freezer, fridge, or pantry temps. Add 3-Color LED lighting and adjustable in-drawer organizers,

and these Full-Extension, Soft-Close Drawers are an organized kitchen's dream sidekick. Drawer handles sold separately; wood panels are customer-provided for a personalized finish.

ZEPHYR

ZEPHYRONLINE.COM



Shown with overlay panel and custom handle (not included)

How Presrv™ Stands Out:

-7°-65°

PreciseTemp™

Multiple internal sensors help maintain accurate temperatures and increase overall performance



Preset Temperature Modes

Each drawer can be converted to a fridge (32°F to 45°F), freezer (-7°F to 7°F), or pantry (46°F to 65°F) for ultimate flexibility



Inverter Compressor

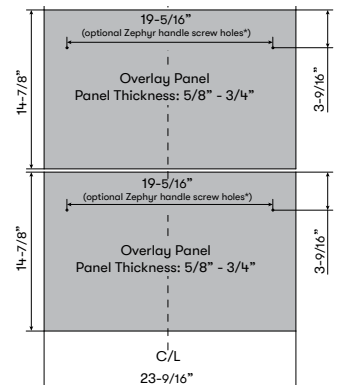
Uses a BLDC motor to achieve lower temperatures while using less energy and performing more quietly than a fixed speed compressor



Soft-Close Drawers

Close more smoothly and quietly to prevent shifting of drawer contents

Overlay Panel Dimensions*



* Hole locations are compatible with Zephyr handle accessory models PRHAN-Cxxx

MODEL

Dual Zone Refrigerator/Freezer Drawers	PRRFD24C2AP
Size	24"
Dimensions	23-7/8"W x 33-7/8"H x 24"D
Weight	124
Installation Type	Compact / Built-in
Refrigerant Type	R600a

FEATURES

Volume	3.9 cu/ft
Temperature Range	-7° - 65° F (each zone)
Sound Level	37 dBA
Exterior Drawer Finish	Panel-Ready no handle
Interior Drawer Finish	Stainless Steel
Exterior Cabinet Finish	Black
Interior Cabinet Finish	Black
Full-Extension Drawers	Yes
Soft-Close Drawers	Yes
Removable Silicone Drawer Mats	Yes
Drawer Organization	Adjustable Bar Dividers + Transparent Drawer Tray
Lighting	3-Color LED Lighting
Controls	Backlit LED Electronic Touch
Preset Temperature Modes	Freezer, Fridge, Pantry
Control Panel Lock	Yes
Door Open Alarm	Yes
Dual Evaporators	Yes
Inverter Compressor*	Yes
Sabbath Mode	Yes
ENERGY STAR® Certified	Yes
PreciseTemp™	Yes
Active Cooling Technology	Yes

AC POWER	115V, 60Hz at Max. 1.5A
-----------------	-------------------------

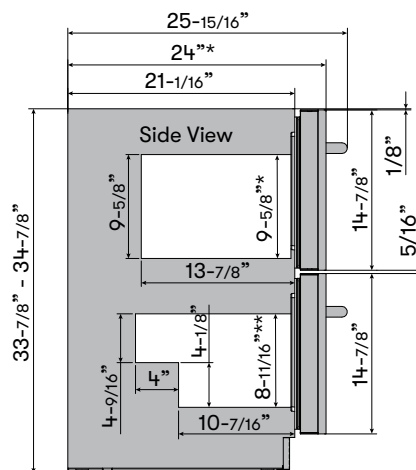
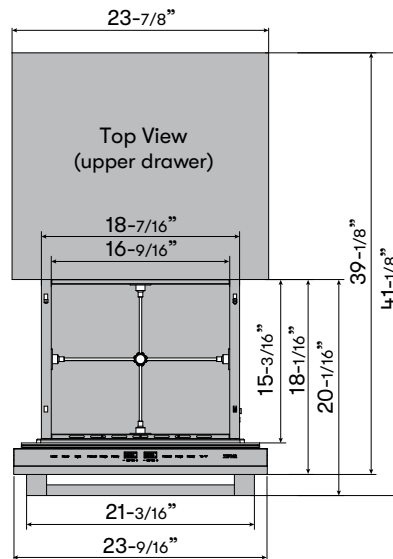
OPTIONAL ACCESSORIES

Contemporary Handle**	PRHAN-C101 (Stainless Steel, x1)
Contemporary Handle**	PRHAN-C102 (Brushed Gold, x1)
Contemporary Handle**	PRHAN-C104 (Matte Black, x1)
Pro Handle**	PRHAN-C001 (Stainless Steel, x1)
Pro Handle**	PRHAN-C003 (Brushed Gold, x1)
Pro Handle**	PRHAN-C004 (Matte Black, x1)

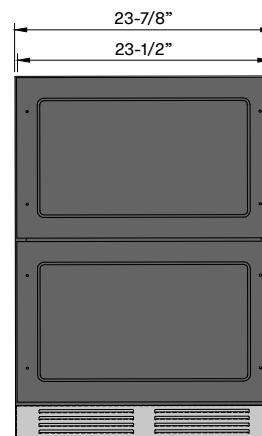
WARRANTY	2 years parts, 2 years labor 5 years compressor
-----------------	--

*An inverter compressor uses a BLDC motor to achieve lower temperatures while using less energy and performing more quietly than a fixed speed compressor

**1 handle included, 2 handles needed



*Depth with 3/4" thick overlay panel
**Maximum clearance height inside drawers is 12"



Transforming the Kitchen through Design, Discovery, and Care

Specifications subject to change, check zephyronline.com for up-to-date information.
Zephyr | 2277 Harbor Bay Parkway, Alameda, CA 94502 | 888.880.8368