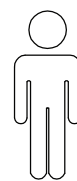
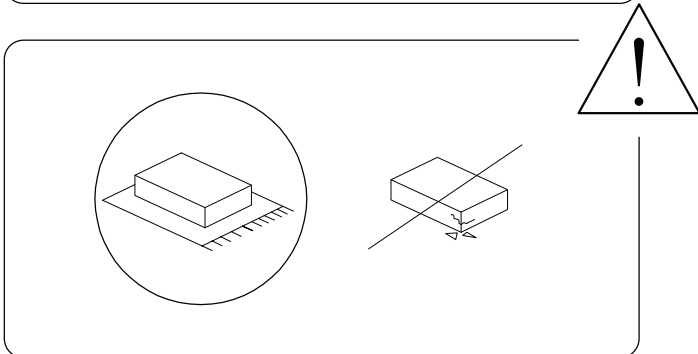
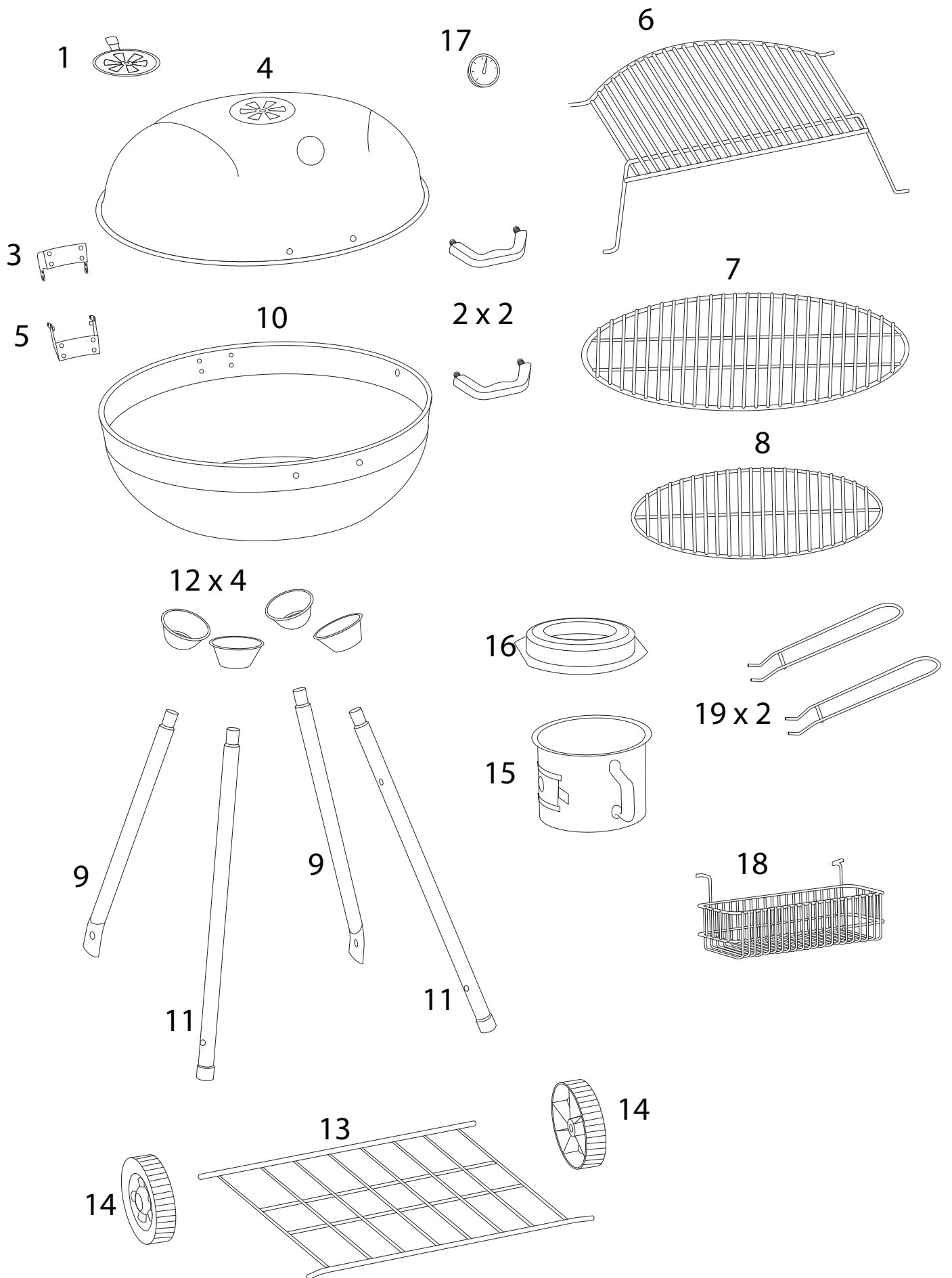


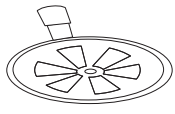
45'



2



1



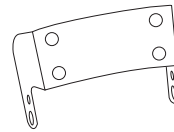
x 1

2



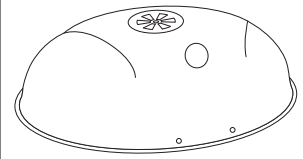
x 2

3



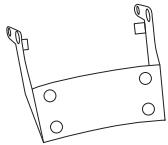
x 1

4



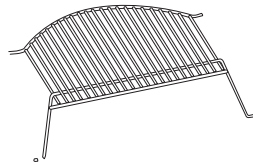
x 1

5



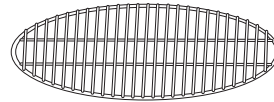
x 1

6



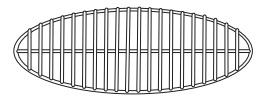
x 1

7



x 1

8



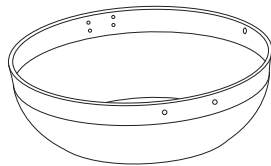
x 1

9



x 2

10



x 1

11



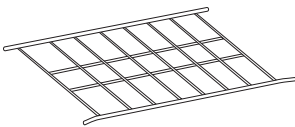
x 2

12



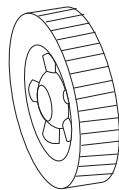
x 4

13



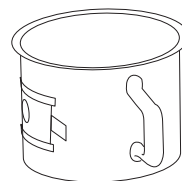
x 1

14



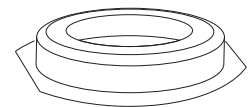
x 2

15



x 1

16



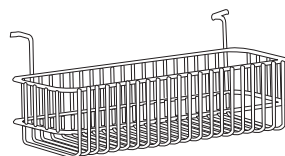
x 1

17



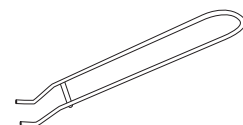
x 1

18



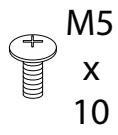
x 1

19



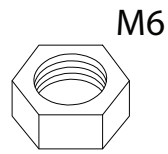
x 2

A



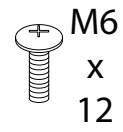
x 2

B



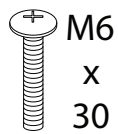
x 14

C



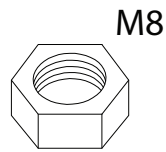
x 8

D



x 4

E



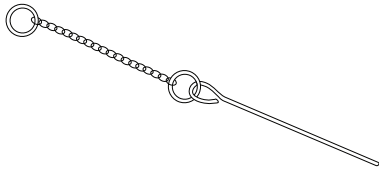
x 2

F1



x 1

F2



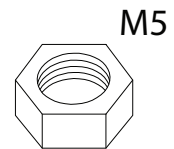
x 1

G



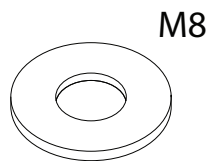
x 1

H



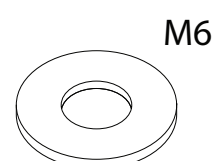
x 2

I



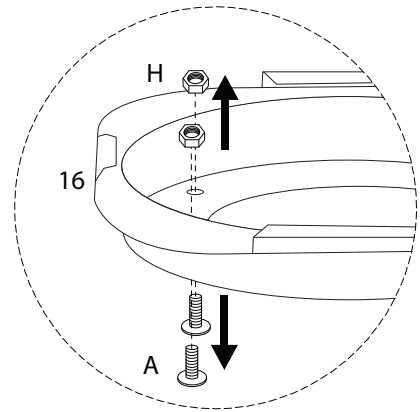
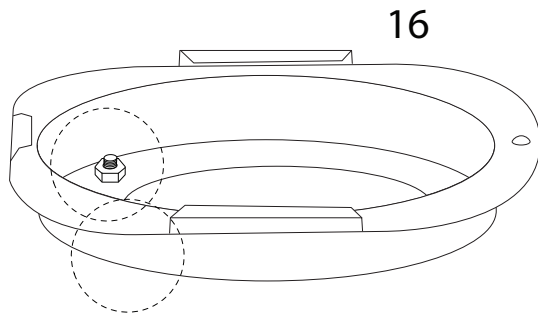
x 2

J

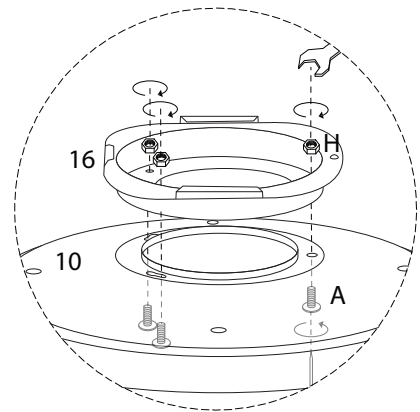
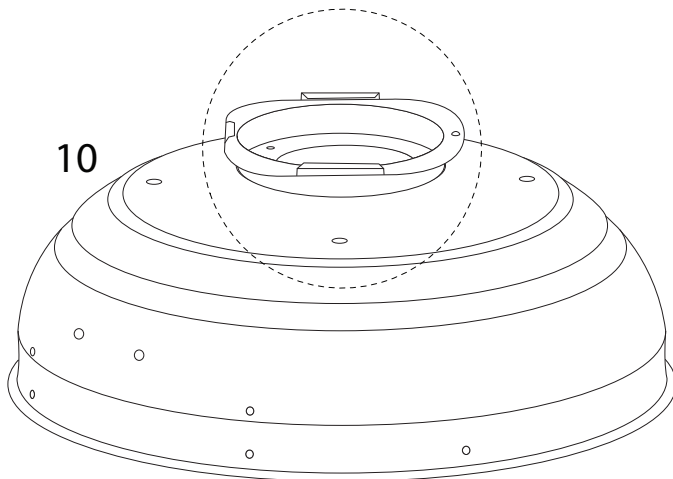
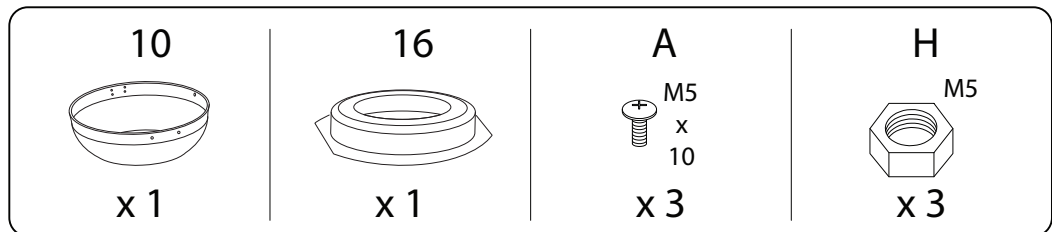


x 4

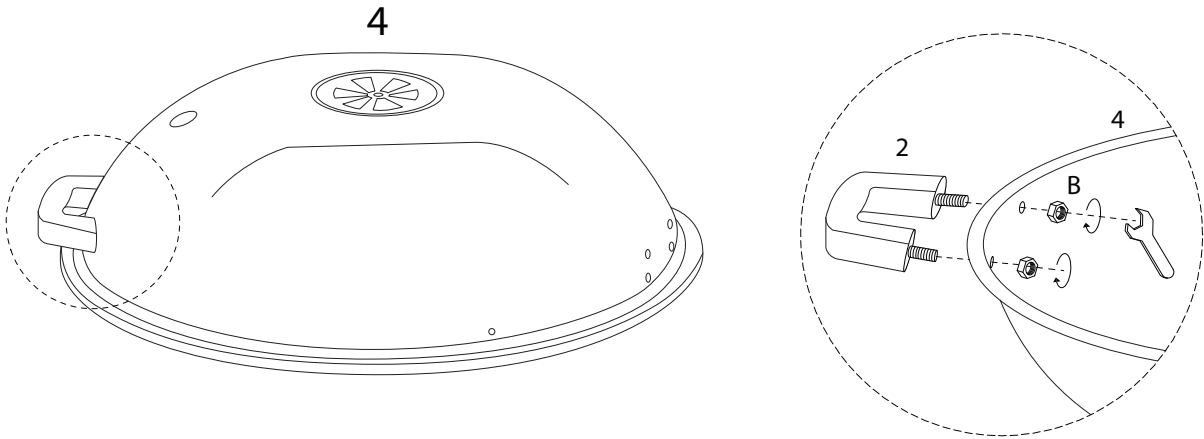
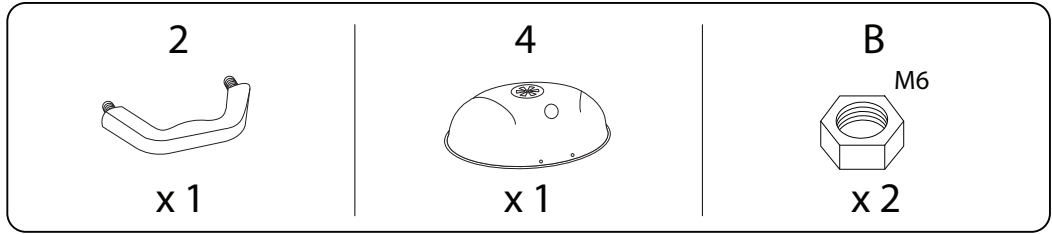
!



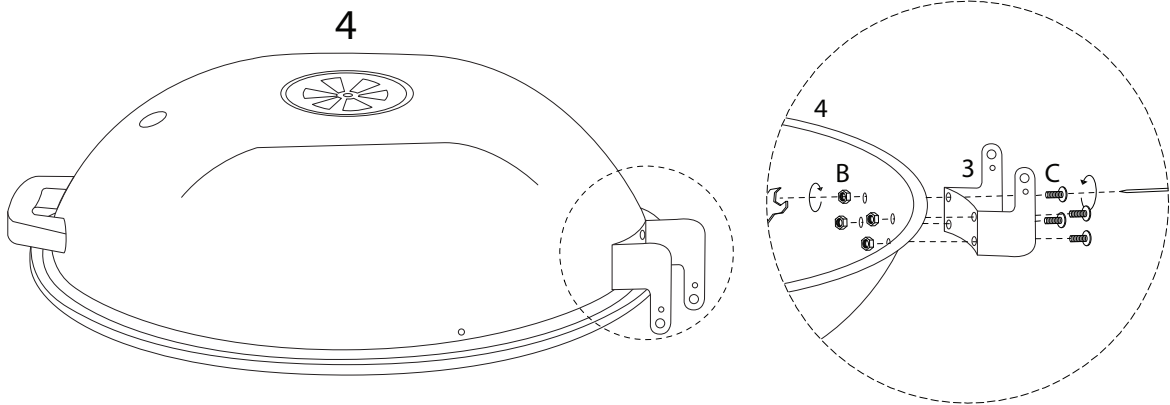
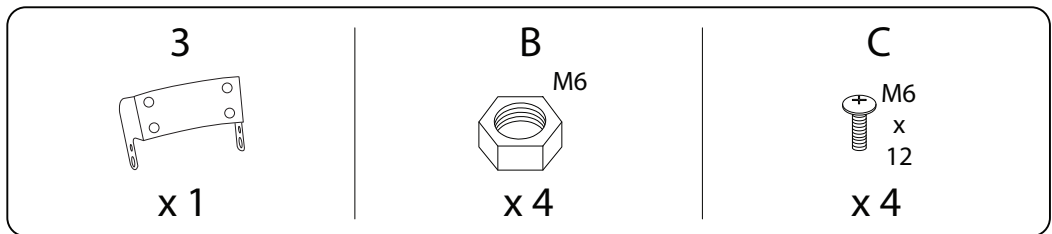
1





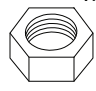
2

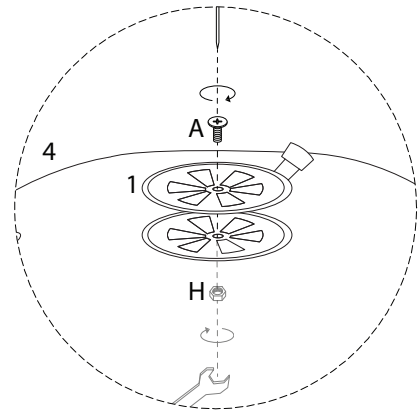
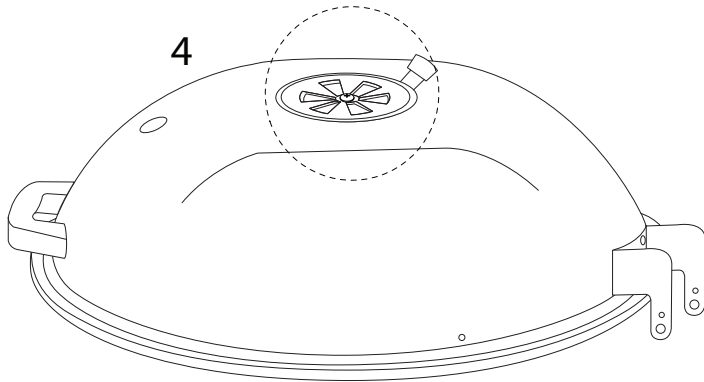


3




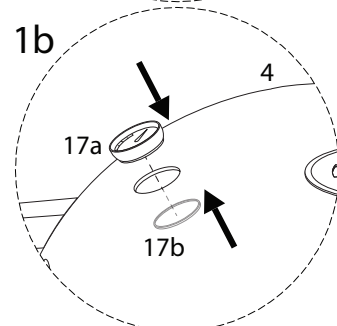
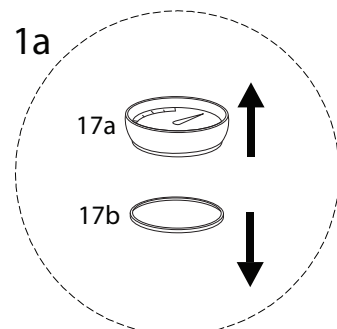
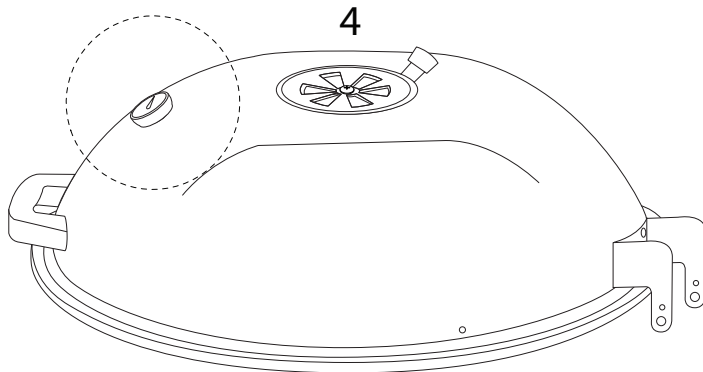
4

<p>1</p>  <p>x 1</p>	<p>A</p>  <p>M5 x 10</p> <p>x 1</p>	<p>H</p>  <p>M5</p> <p>x 1</p>
---	--	---



5

<p>17</p>  <p>x 1</p>
--



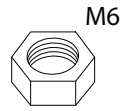
6

2



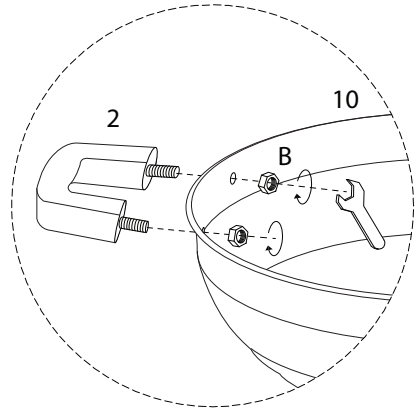
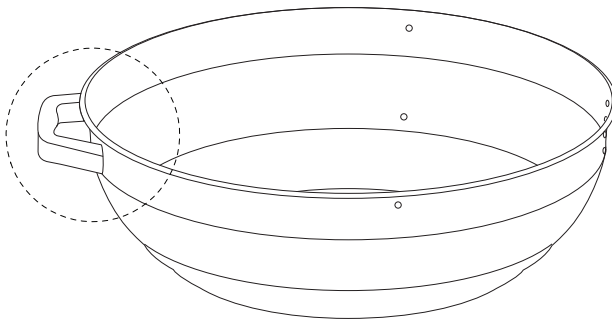
x 1

B



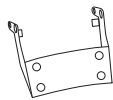
x 2

10



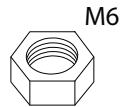
7

5



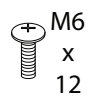
x 1

B



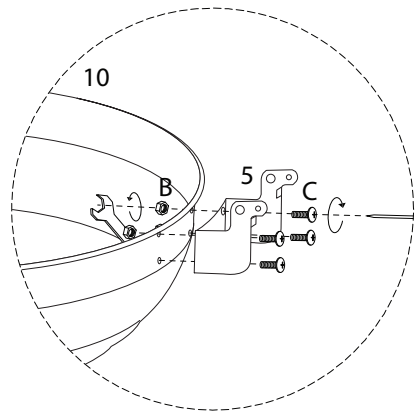
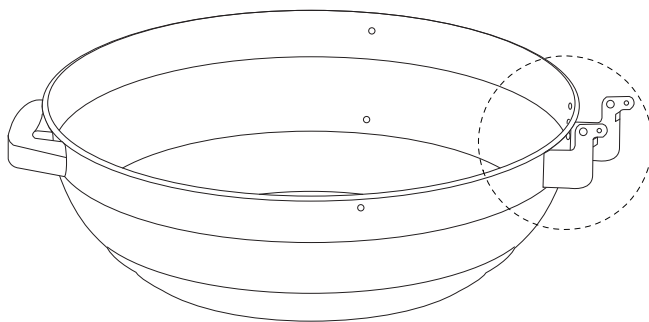
x 4

C

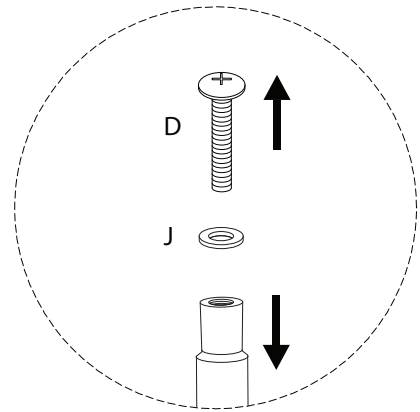
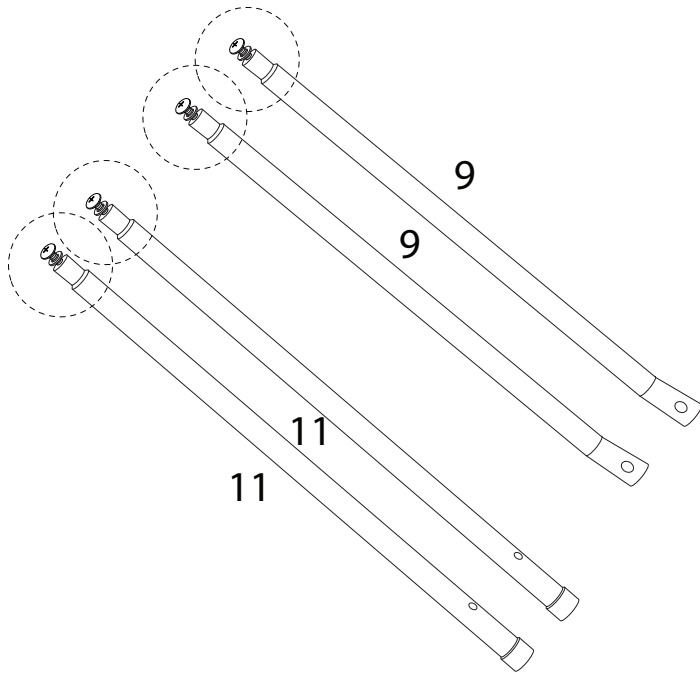


x 4

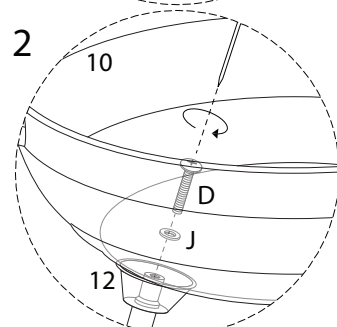
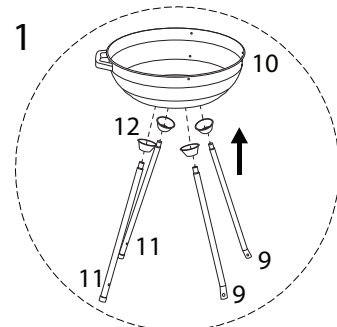
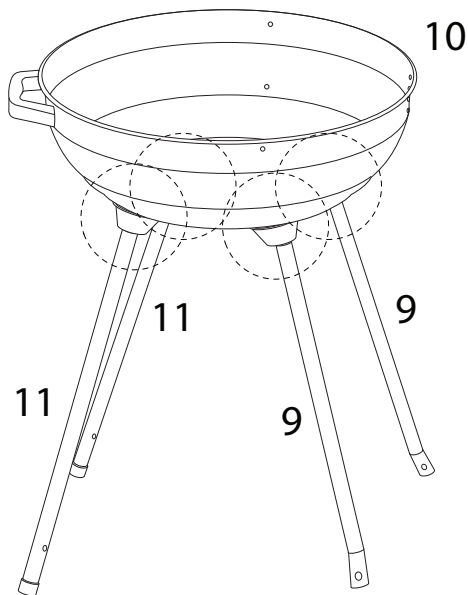
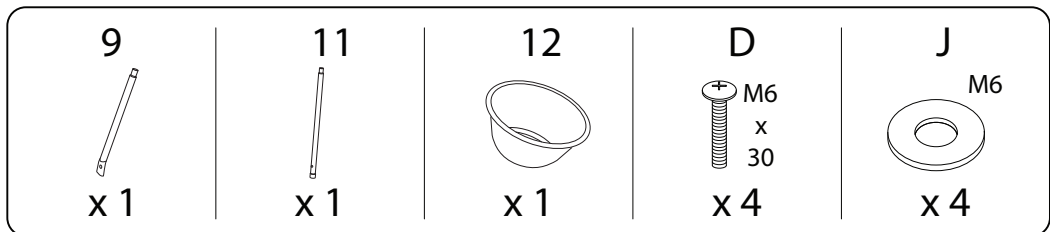
10



!

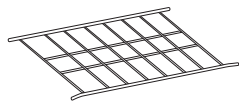


8



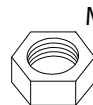
9

13



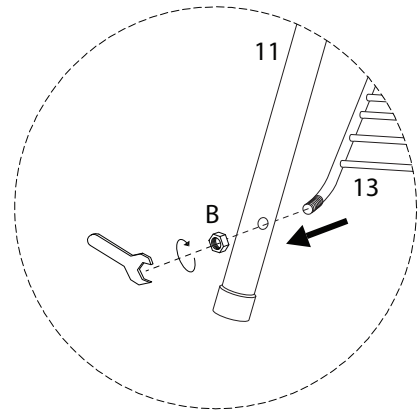
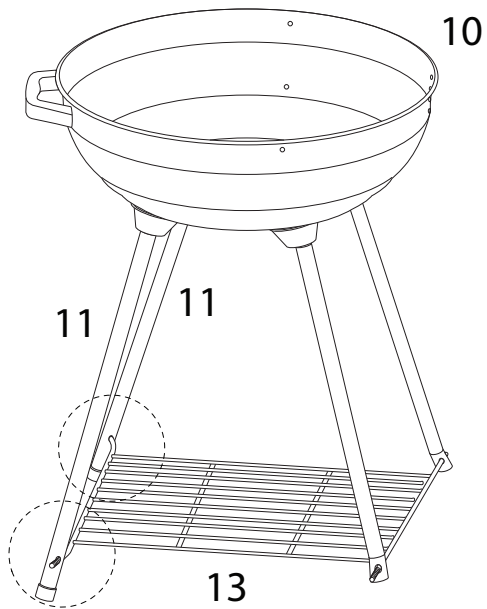
x 1

B



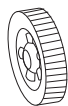
M6

x 2



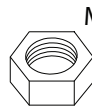
10

14



x 1

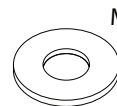
E



M8

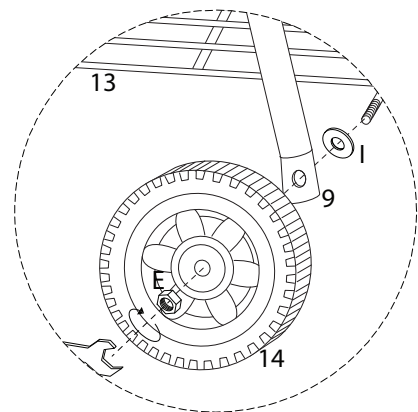
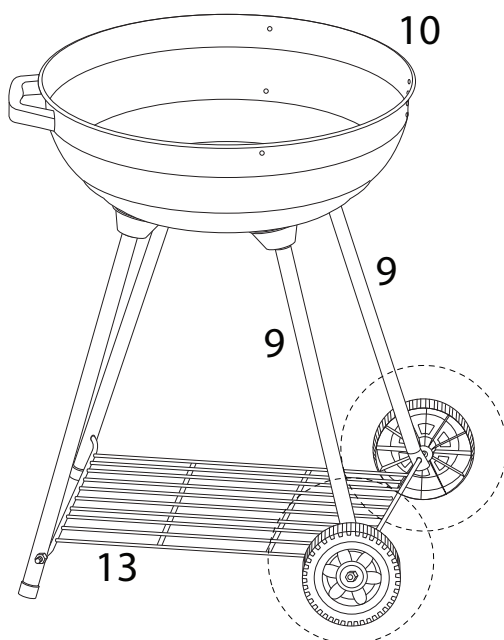
x 2

I

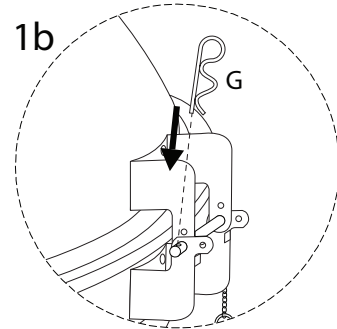
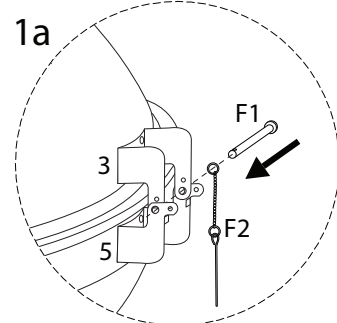
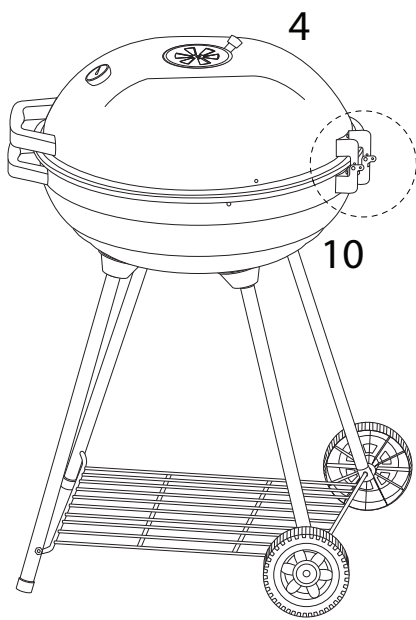
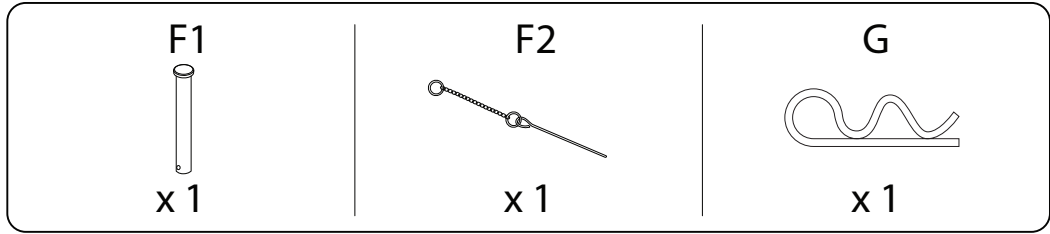


M8

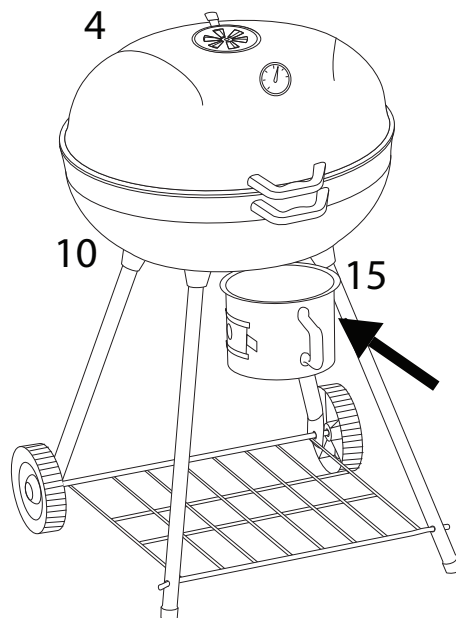
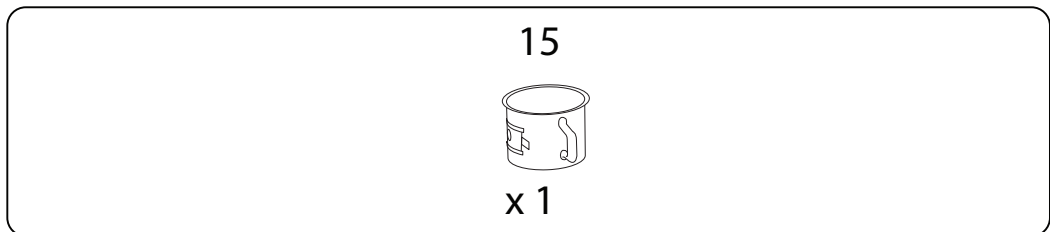
x 2



11



12

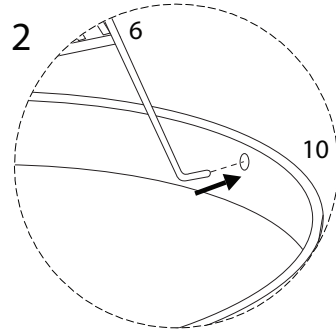
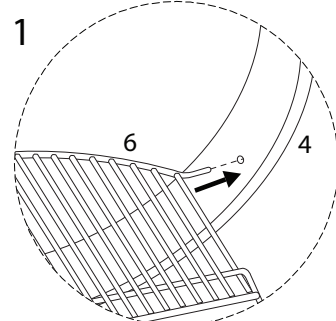
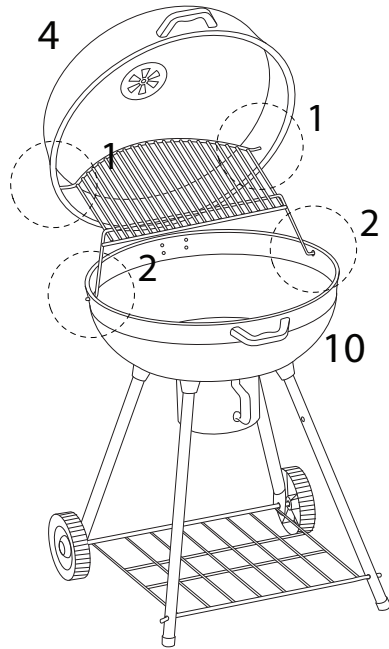


13

6

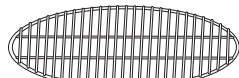


x 1



14

7

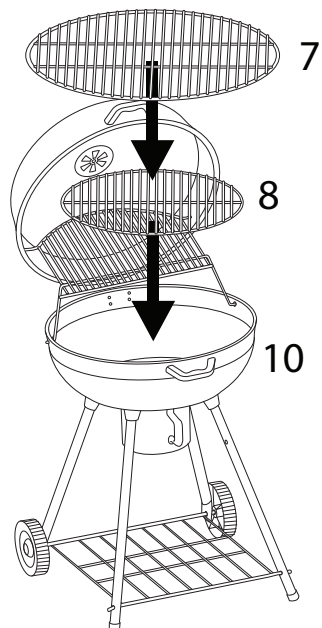


x 1

8



x 1

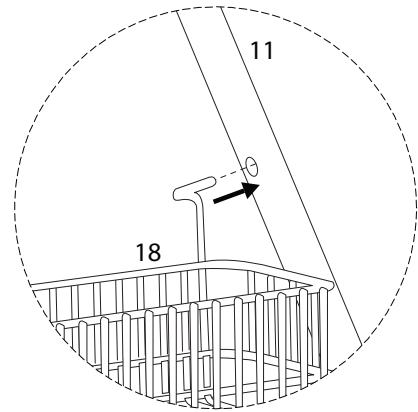
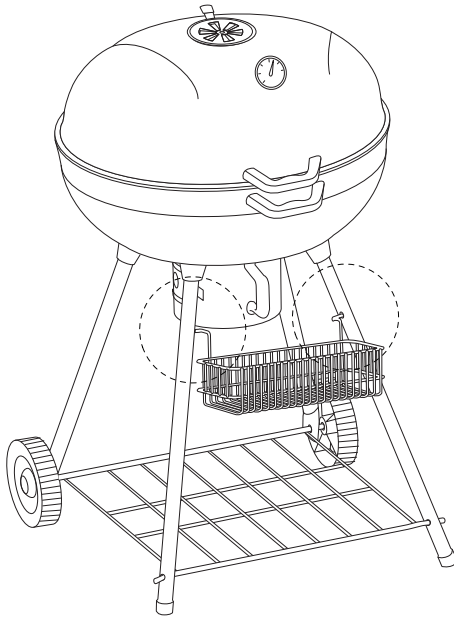


15

18

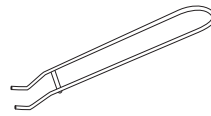


x 1



16

19



x 2

