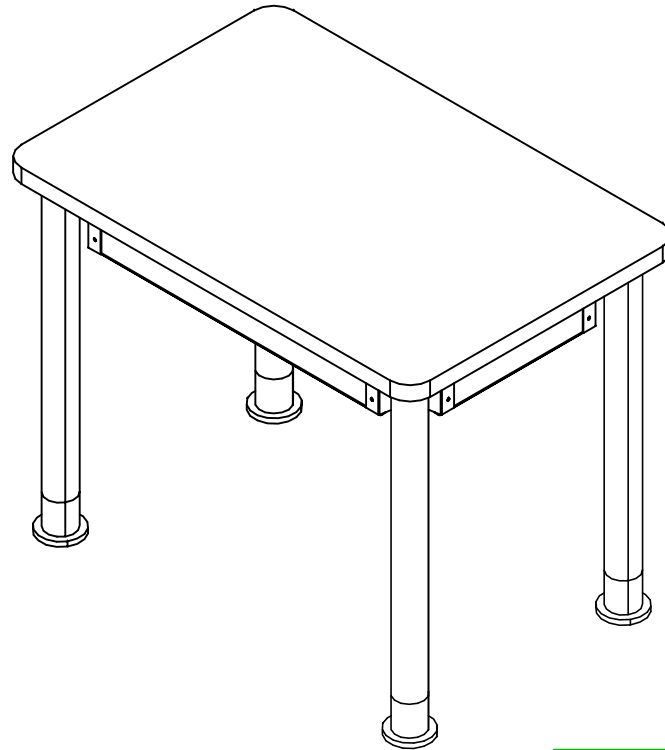


ADJUSTABLE HEIGHT TABLE (KOYO LEGS)

P8, ALT, & ALTD SERIES TABLES (OAK OR MAPLE)
ASSEMBLY INSTRUCTIONS



NOTE:

1. MODEL VIEWS MAY NOT REPRESENT EXACT MODEL PURCHASED

DWN BY:	EMK	DWN DATE:	3/12/14
APR BY:		DATE APR:	
APR BY:		DATE APR:	



300 South Krueger Street
Suring, WI 54174
diversifiedwoodcrafts.com

UNLESS OTHERWISE SPECIFIED
DIMENSION ARE IN INCHES
CABINET SQUARENESS ± .0625
FRACTIONAL VALUES ± 1/32"
- ALL VALUES ± OVERALL -

TITLE:
ADJUSTABLE HEIGHT TABLE (KOYO LEGS)
ASSEMBLY INSTRUCTIONS

REV.	DESCRIPTION	DATE	NAME	ECN NO.
A	CREATED ASSEMBLY INSTRUCTIONS	3/12/14	EMK	-

REVISION LEVEL

THIS DRAWING IS THE SOLE PROPERTY OF
DIVERSIFIED WOOD CRAFTS. IT MAY NOT
BE ALTERED OR CHANGED WITHOUT
PERMISSION

DRAWING NUMBER:	SCALE:	SHEET:	REVISION:
P8, ALT, & ALTD SERIES TABLES	NTS	1 OF 6	REV A

TOOLS REQUIRED

#3 PHILLIPS SCREW DRIVER

#3 SQUARE HEAD - OPTIONAL

ASSEMBLY COMPONENTS

ITEMS INCLUDED	PART #	PART DESCRIPTION	QTY
TOP ASSEMBLY	N/A	TOP ASSEMBLY (FACTORY ASSEMBLED)	1
LEG	100677	KOYO ADJ. LEG SET,SILVER	4
LEG SPACER	100678	KOYO ADJ. LEG SPACER	4
LEG LEVLER	100679	KOYO ADJ. LEG LEVELER,90MM	4
SCREWS - LEGS (1" TOP)	100369	SCREW,#12X $\frac{7}{8}$ " PHIL PAN HEAD SM	24
SCREWS - LEGS (1 $\frac{1}{4}$ " TOP)	214647	SCREW,#12X1 $\frac{1}{8}$ " PHIL PAN HEAD SMS ZINC	24

NOTE:

- P8 SERIES TABLES - TOPS ARE EITHER PLAM, CHEMGUARD, OR PHENOLIC.
- ALT SERIES TABLES - TOPS ARE ONLY 1 $\frac{1}{4}$ " PLAM.
- ALTD SERIES TABLES - TOPS ARE ONLY $\frac{3}{4}$ " PLAM.

DWN BY:	EMK	DWN DATE:	3/12/14
APR BY:		DATE APR:	
APR BY:		DATE APR:	

UNLESS OTHERWISE SPECIFIED
DIMENSION ARE IN INCHES
CABINET SQUARENESS ± .0625
FRACTIONAL VALUES ± 1/32"
- ALL VALUES ± OVERALL -



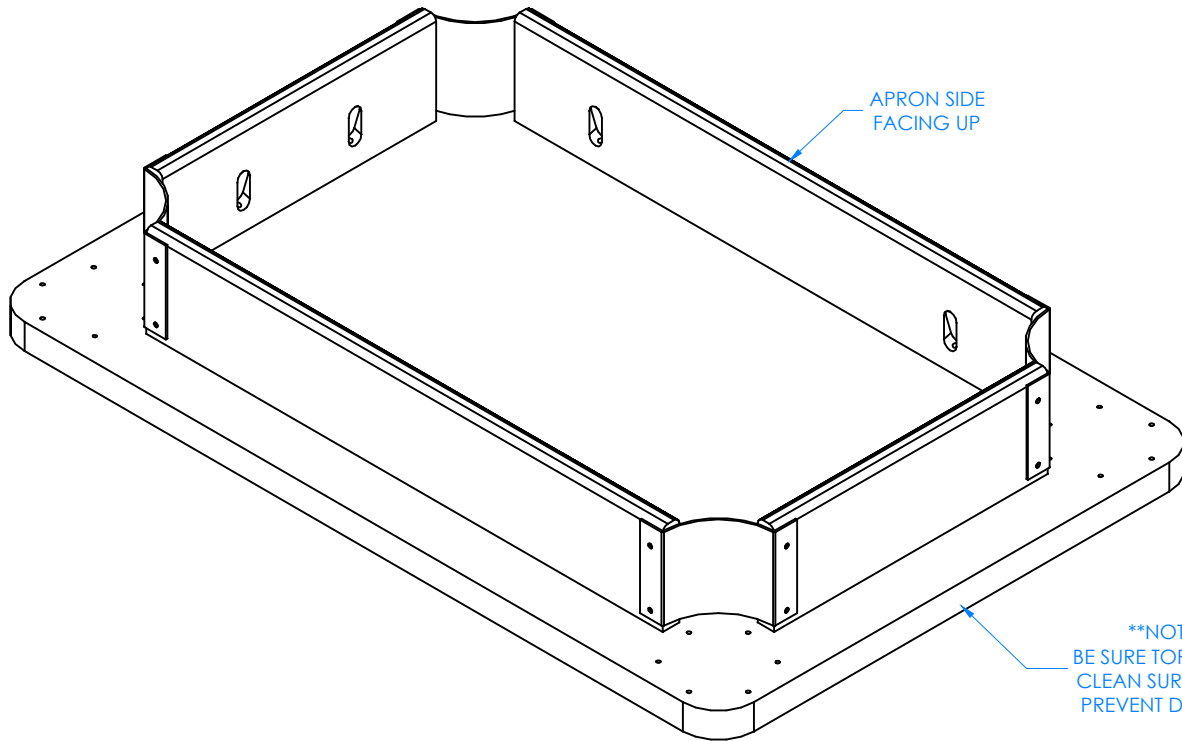
300 South Krueger Street
Suring, WI 54174
diversifiedwoodcrafts.com

TITLE:
ADJUSTABLE HEIGHT TABLE (KOYO LEGS)
TOOLS AND ASSEMBLY COMPONENTS

REV.	DESCRIPTION	DATE	NAME	ECN NO.
A	CREATED ASSEMBLY INSTRUCTIONS	3/12/14	EMK	-

THIS DRAWING IS THE SOLE PROPERTY OF
DIVERSIFIED WOOD CRAFTS. IT MAY NOT
BE ALTERED OR CHANGED WITHOUT
PERMISSION

DRAWING NUMBER:	SCALE:	SHEET:	REVISION:
P8, ALT, & ALTD SERIES TABLES	NTS	2 OF 6	REV A



APRON SIDE
FACING UP

STEP 1:

- INSPECT ALL COMPONENTS FOR SHIPPING DAMAGE.
- LAY TOP ASSEMBLY ON FLOOR WITH APRON SIDE FACING UP.

****NOTE****
BE SURE TOP IS ON A
CLEAN SURFACE TO
PREVENT DAMAGE

NOTE:

1.

DWN BY:	EMK	DWN DATE:	3/12/14
APR BY:		DATE APR:	
APR BY:		DATE APR:	



300 South Krueger Street
Suring, WI 54174
diversifiedwoodcrafts.com

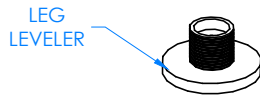
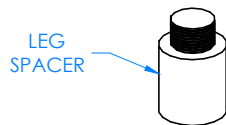
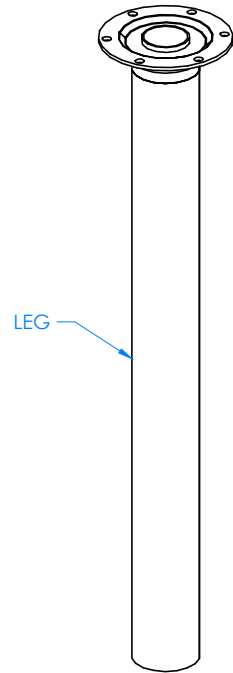
UNLESS OTHERWISE SPECIFIED
DIMENSION ARE IN INCHES
CABINET SQUARENESS ± .0625
FRACTIONAL VALUES ± 1/32"
- ALL VALUES ± OVERALL -

TITLE:
ADJUSTABLE HEIGHT TABLE (KOYO LEGS)
ASSEMBLY INSTRUCTIONS

REV.	DESCRIPTION	DATE	NAME	ECN NO.
A	CREATED ASSEMBLY INSTRUCTIONS	3/12/14	EMK	-
REVISION LEVEL				

THIS DRAWING IS THE SOLE PROPERTY OF
DIVERSIFIED WOOD CRAFTS. IT MAY NOT
BE ALTERED OR CHANGED WITHOUT
PERMISSION

DRAWING NUMBER:	SCALE:	SHEET:	REVISION:
P8, ALT, & ALTD SERIES TABLES	NTS	3 OF 6	REV A



STEP 2:

- SCREW LEG SPACERS INTO BOTTOM OF ADJUSTABLE LEGS.
- SCREW LEG LEVELERS INTO BOTTOM OF LEG SPACERS.

NOTE:

1.

DWN BY:	EMK	DWN DATE:	3/12/14
APR BY:		DATE APR:	
APR BY:		DATE APR:	

UNLESS OTHERWISE SPECIFIED
DIMENSION ARE IN INCHES
CABINET SQUARENESS ± .0625
FRACTIONAL VALUES ± 1/32"
- ALL VALUES ± OVERALL -



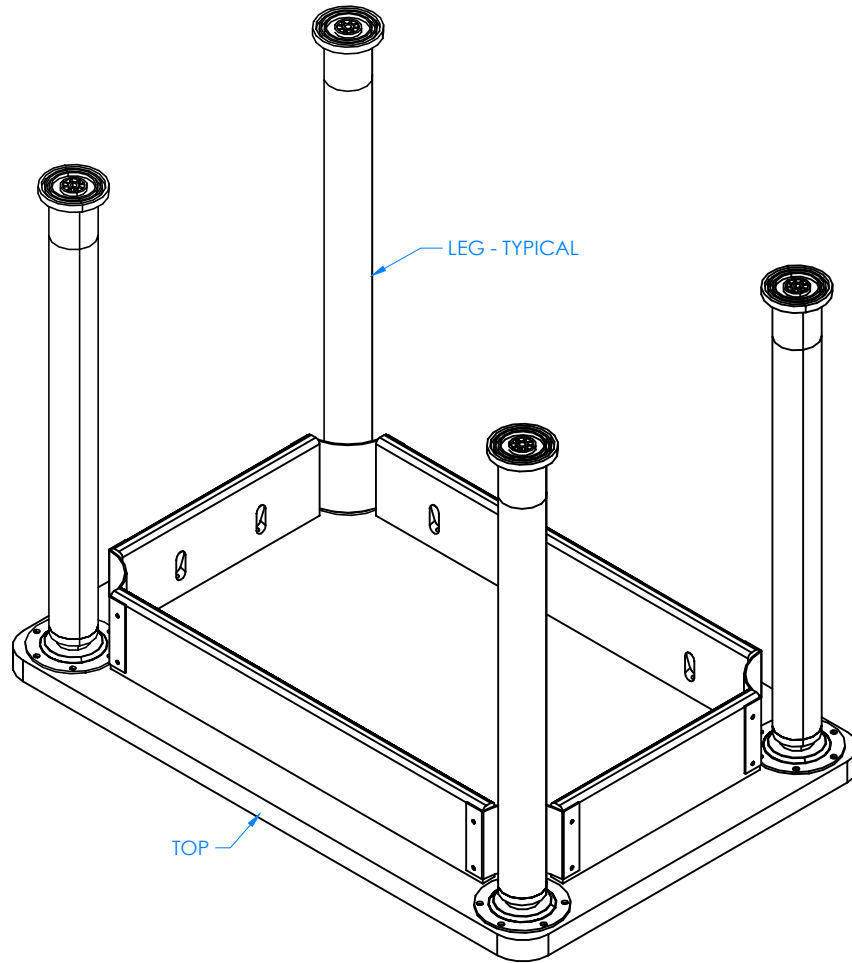
300 South Krueger Street
Suring, WI 54174
diversifiedwoodcrafts.com

TITLE:
ADJUSTABLE HEIGHT TABLE (KOYO LEGS)
ASSEMBLY INSTRUCTIONS

REV.	DESCRIPTION	DATE	NAME	ECN NO.
A	CREATED ASSEMBLY INSTRUCTIONS	3/12/14	EMK	-
REVISION LEVEL				

THIS DRAWING IS THE SOLE PROPERTY OF
DIVERSIFIED WOOD CRAFTS. IT MAY NOT
BE ALTERED OR CHANGED WITHOUT
PERMISSION

DRAWING NUMBER:	SCALE:	SHEET:	REVISION:
P8, ALT, & ALTD SERIES TABLES	NTS	4 OF 6	REV A



STEP 3:

- SCREW LEGS TO BOTTOM OF TOP THROUGH PREDRILLED HOLES WITH HARDWARE PROVIDED.
- MAKE SURE EACH LEG IS SCREWED ON TIGHT USING A MAXIMUM OF 45IN - LBS OF TORQUE.

NOTE:

1.

DWN BY:	EMK	DWN DATE:	3/12/14
APR BY:		DATE APR:	
APR BY:		DATE APR:	

UNLESS OTHERWISE SPECIFIED
DIMENSION ARE IN INCHES
CABINET SQUARENESS ± .0625
FRACTIONAL VALUES ± 1/32"
- ALL VALUES ± OVERALL -



300 South Krueger Street
Suring, WI 54174
diversifiedwoodcrafts.com

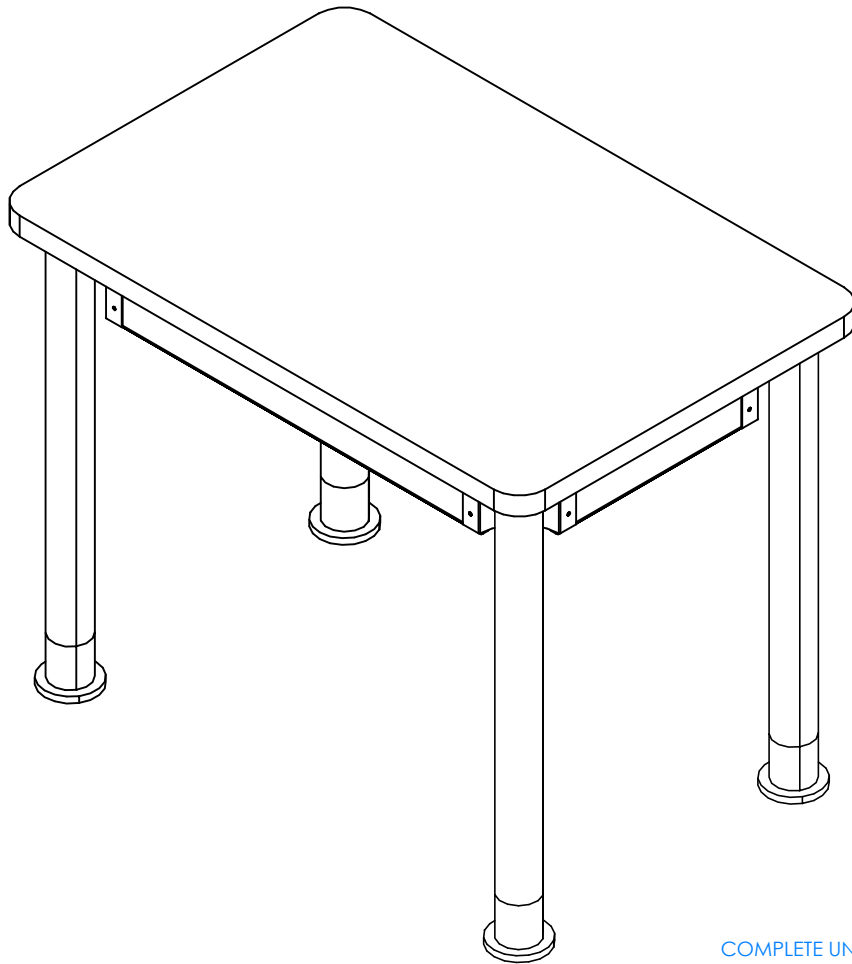
TITLE:
ADJUSTABLE HEIGHT TABLE (KOYO LEGS)
ASSEMBLY INSTRUCTIONS

REV.	DESCRIPTION	DATE	NAME	ECN NO.
A	CREATED ASSEMBLY INSTRUCTIONS	3/12/14	EMK	-

REVISION LEVEL

THIS DRAWING IS THE SOLE PROPERTY OF
DIVERSIFIED WOOD CRAFTS. IT MAY NOT
BE ALTERED OR CHANGED WITHOUT
PERMISSION

DRAWING NUMBER:	SCALE:	SHEET:	REVISION:
P8, ALT, & ALTD SERIES TABLES	NTS	5 OF 6	REV A



COMPLETE UNIT SHOWN

STEP 4:

- TURN TABLE OVER SO TOP IS UP.
- SET TABLE IN PLACE.
- ADJUST LEGS TO DESIRED HEIGHT.
- SEE NOTE ON HOW TO ADJUST HEIGHT OF TABLE.
- WHEN MOVING TABLE, CARRY IT. DO NOT DRAG OR PUSH THE TABLE ACROSS THE FLOOR ON LEG LEVELERS.


NOTE:

1. TO INCREASE THE HEIGHT OF THE TABLE, PUT TABLE ON SIDE OR BACK AND SIMPLY PULL ON THE BOTTOM OF EACH LEG.
2. TO DECREASE THE HEIGHT OF THE TABLE, PUT TABLE ON SIDE OR BACK AND MOVE THE ADJUSTABLE LEG TO THE HIGHEST SETTING. IT WILL START TO RELEASE. PUSH THE LEG BACK TO A LOWER SETTING.

DWN BY:	EMK	DWN DATE:	3/12/14
APR BY:		DATE APR:	
APR BY:		DATE APR:	

UNLESS OTHERWISE SPECIFIED
DIMENSION ARE IN INCHES
CABINET SQUARENESS ± .0625
FRACTIONAL VALUES ± 1/32"
- ALL VALUES ± OVERALL -

THIS DRAWING IS THE SOLE PROPERTY OF
DIVERSIFIED WOOD CRAFTS. IT MAY NOT
BE ALTERED OR CHANGED WITHOUT
PERMISSION



300 South Krueger Street
Suring, WI 54174
diversifiedwoodcrafts.com

TITLE:
**ADJUSTABLE HEIGHT TABLE (KOYO LEGS)
ASSEMBLY INSTRUCTIONS**

DRAWING NUMBER:	SCALE:	SHEET:	REVISION:
P8, ALT, & ALTD SERIES TABLES	NTS	6 OF 6	REV A

REV.	DESCRIPTION	DATE	NAME	ECN NO.
A	CREATED ASSEMBLY INSTRUCTIONS	3/12/14	EMK	-
REVISION LEVEL				