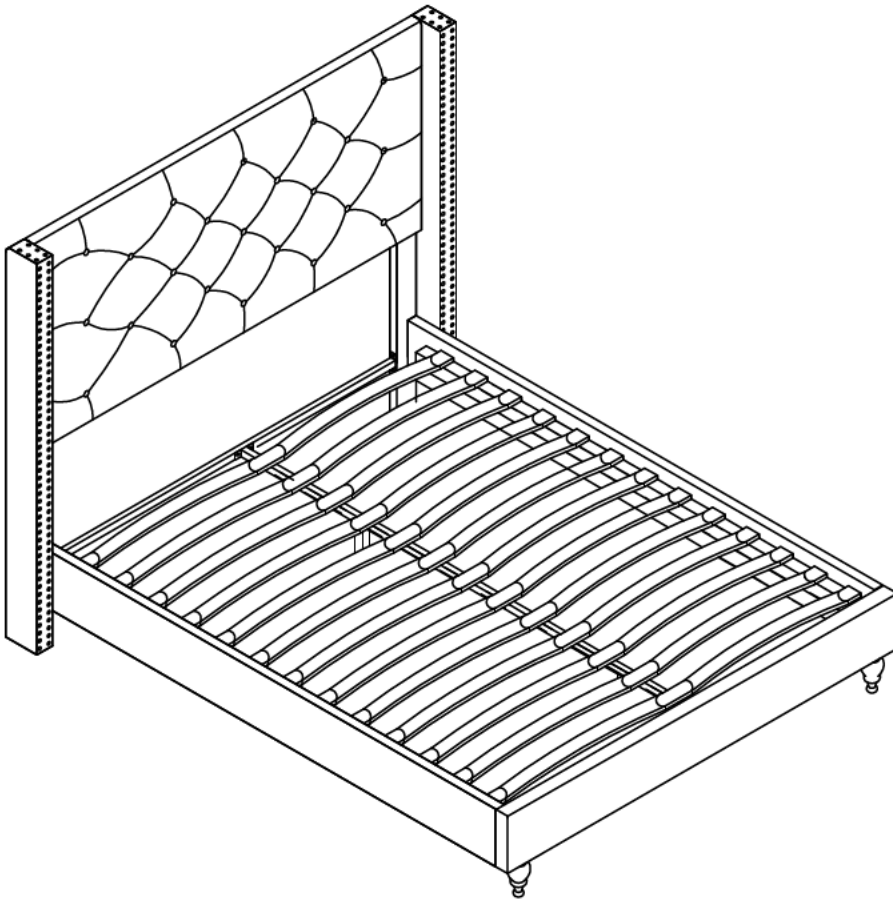


Assembly Instructions



ASSEMBLY RATING

The Assembly Rating is a 5-point system that shows the degree of effort needed in assembling a specific product (with 1 being easy and 5 being difficult). For some products, two persons are recommended.

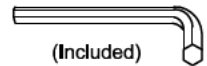
EASY



DIFFICULT

Tools Required For Assembly:

Allen Wrench



(Included)

Wrench



(Included)

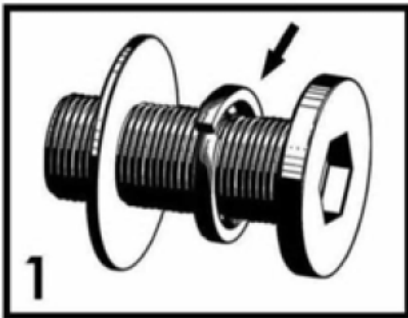


2 PERSONS RECOMMENDED

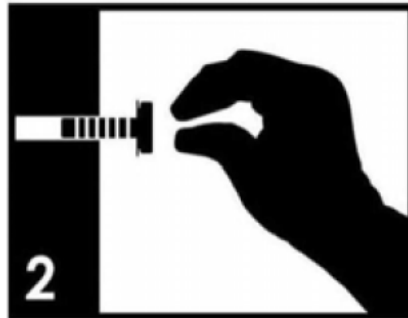
ASSEMBLY & CARE ADVICE

FOR YOUR FURNITURE TO LAST, CORRECT ASSEMBLY AND PROPER MAINTENANCE ARE NECESSARY. PLEASE FOLLOW THE INFORMATION PROVIDED BELOW TO FULLY ENJOY YOUR FURNITURE.

BASIC ASSEMBLY TECHNIQUES



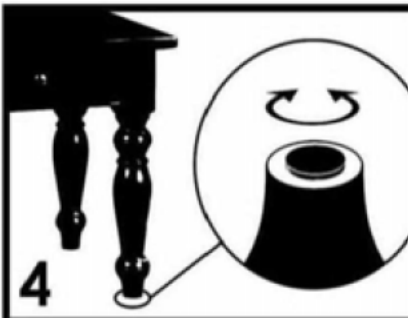
When lock or spring washer is used in an assembly, please make sure the lock or spring washer is placed between the larger flat washer and the head of the screw or bolt.



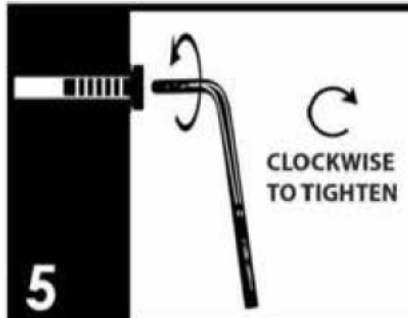
Position each part correctly and insert screws or bolts into their respective holes by hand tighten or using the proper hand tool. Only tighten when step 1 is completed or when instructed to do so.



Use cardboard or carpet area when assembling furniture to prevent scratches. Make sure the furniture rests on a flat and level surface with each leg evenly touching the floor.



Some furniture comes with height adjustment knobs underneath each leg. To lower or to raise each leg, you need to turn clockwise or counterclockwise, respectively.



Make sure all parts are properly aligned, then use the appropriate hand tool to completely tighten the bolts or screws. Do not use power tools and do not overtighten.



Save the instructions and store the Allen wrench or any supplied tool for later maintenance. After two weeks, check and tighten any loose hardware and repeat again every six months thereafter.

IT IS THE USER'S RESPONSIBILITY TO MAINTAIN THE FURNITURE. THE HARDWARE MAY LOOSEN OVER TIME AND MAY CAUSE THE FURNITURE TO BE WOBBLY AND UNABLE TO SUPPORT ITS INTENDED WEIGHT CAPACITY. THIS MAY LEAD TO COLLAPSE AND MAY CAUSE SERIOUS INJURY.



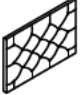









FAILURE TO FOLLOW THE GUIDELINES ABOVE MAY RESULT IN INJURY AND/OR PROPERTY DAMAGE.














Before you begin, please read Page 2 of "Assembly and Care Advice".

And remember, do not tighten until each step is completed or instructed.

Parts List

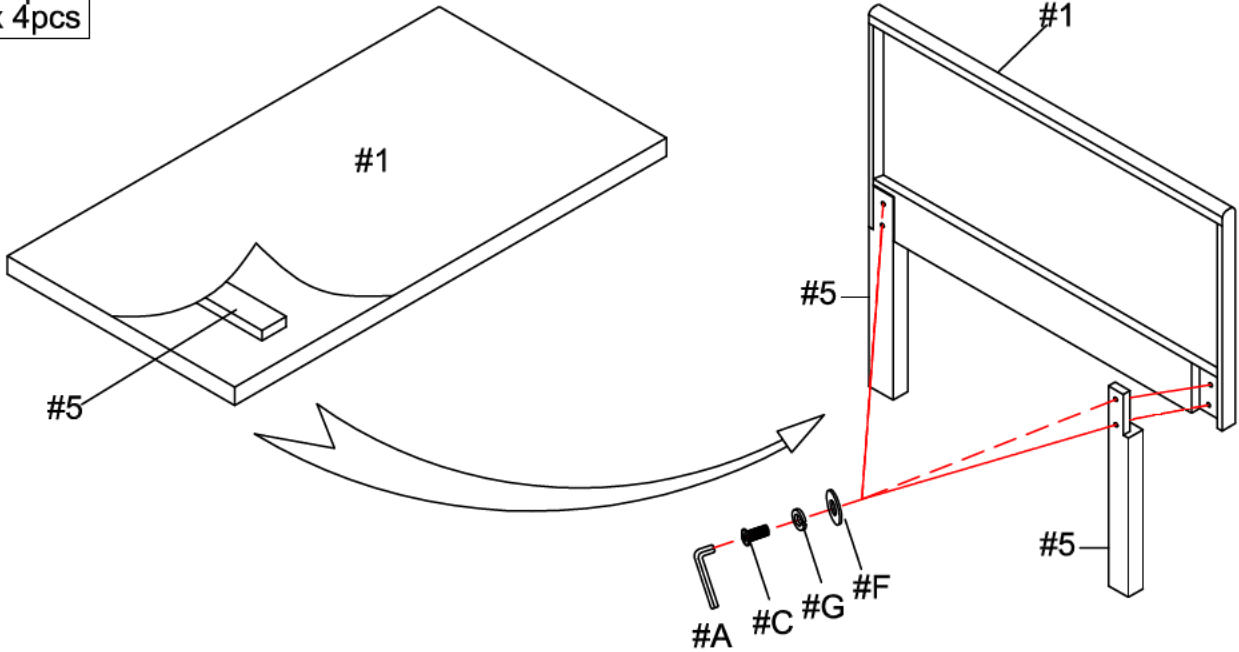
	#1 x 1pc Headboard
	#2 x 1pc Footboard
	#3 x 2pcs Side Rail
	#4 x 2pcs Wings (L & R)
	#5 x 2pcs (L & R) HB Leg
	#6 x 2pcs FB Leg
	#7 x 26pcs Slat
	#8 x 1pc Support Rail
	#9 x 2pcs Support leg
	#10 x 1pc HB Leg Support

Hardware List

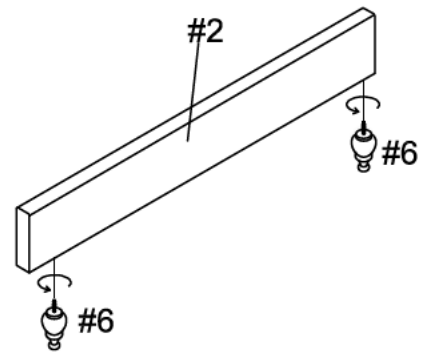
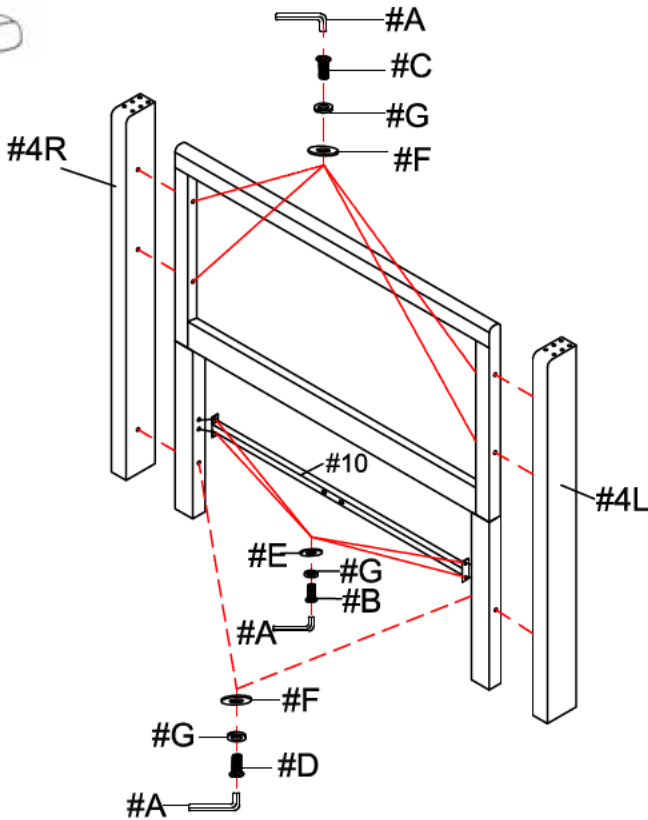
	#A x 1pc Allen Wrench
	#B x 14pcs Bolt Ø5/16"X1-1/2"
	#C x 14pcs Bolt Ø5/16"X2"
	#D x 2pcs Bolt Ø5/16"X4"
	#E x 20pcs Flat Washer Ø5/16"X19MM
	#F x 10pcs Flat Washer Ø5/16"X22MM
	#G x 30pcs Lock Washer
	#H x 6pcs Nut
	#I x 1pc Wrench
	#J x 26pcs End Cap
	#K x 13pcs Center Plastic Connector



- #Cx 4pcs
- #Fx 4pcs
- #Gx 4pcs

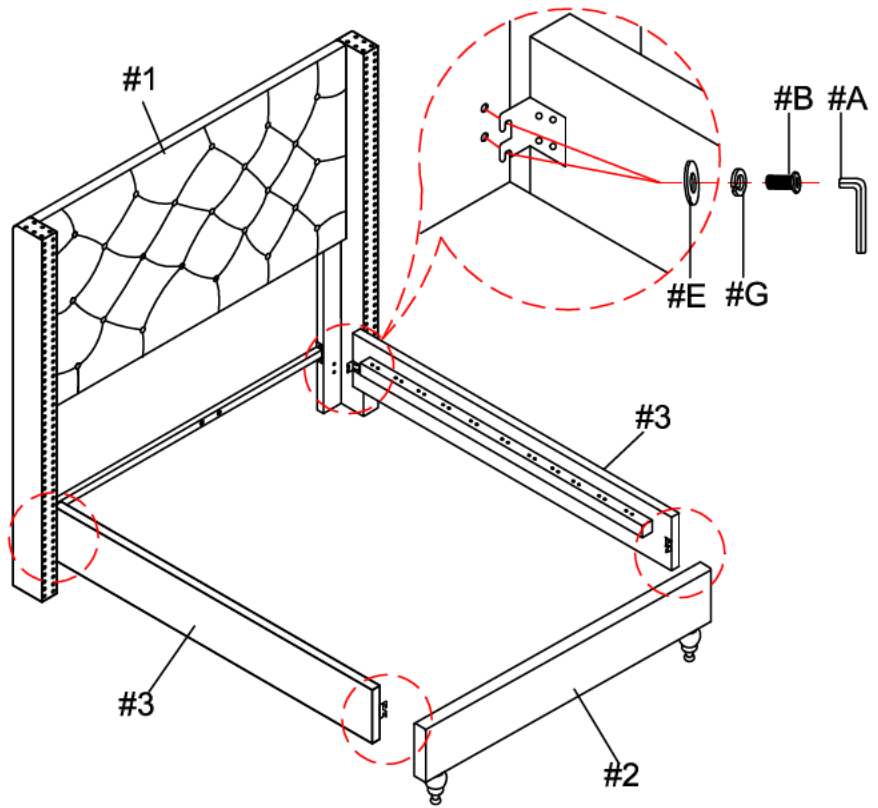


- #Bx 4pcs
- #Cx 4pcs
- #D x 2pcs
- #Fx 10pcs
- #Gx 10pcs

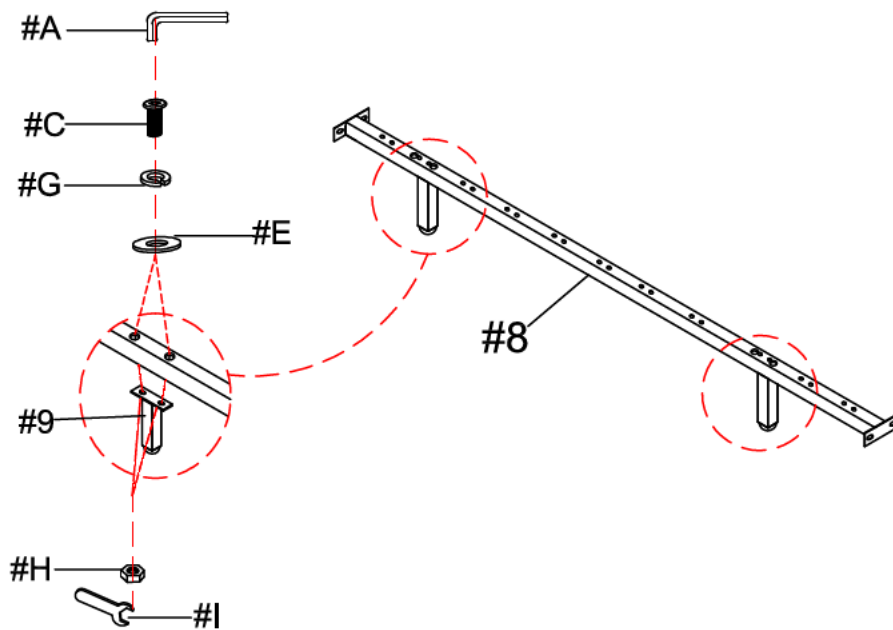




#B x 8pcs
#E x 8pcs
#G x 8pcs

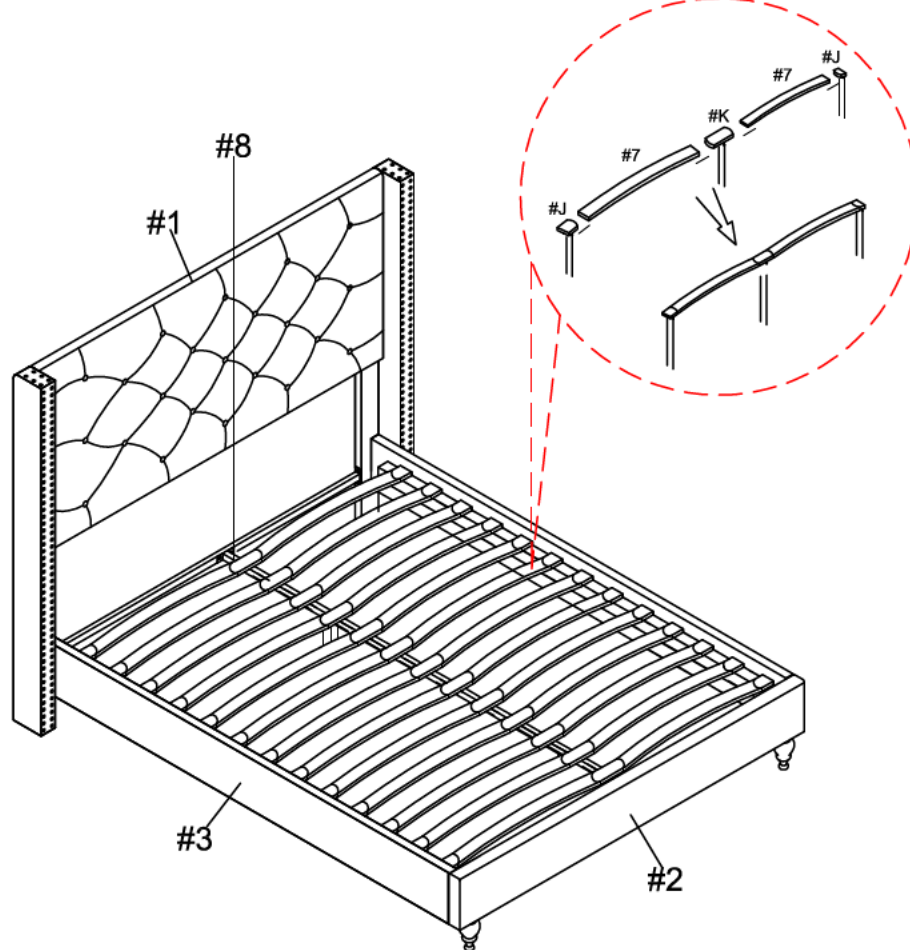
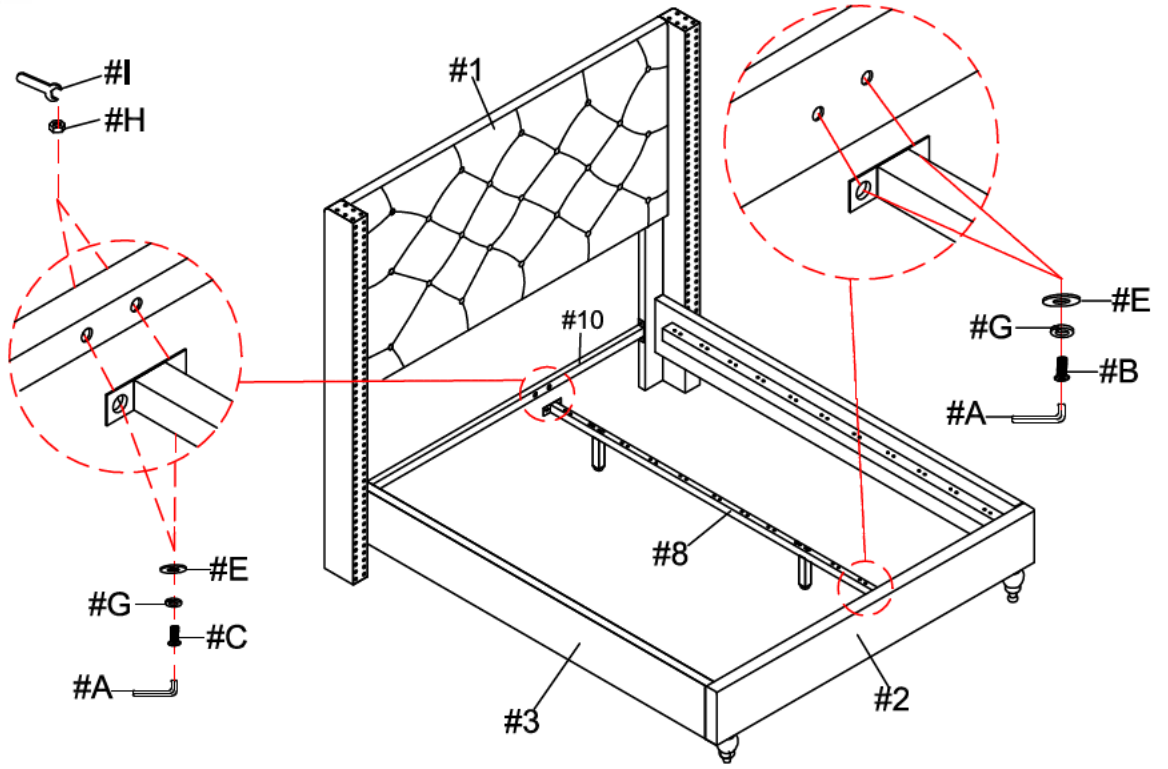


#C x 4pcs
#E x 4pcs
#G x 4pcs
#H x 4pcs

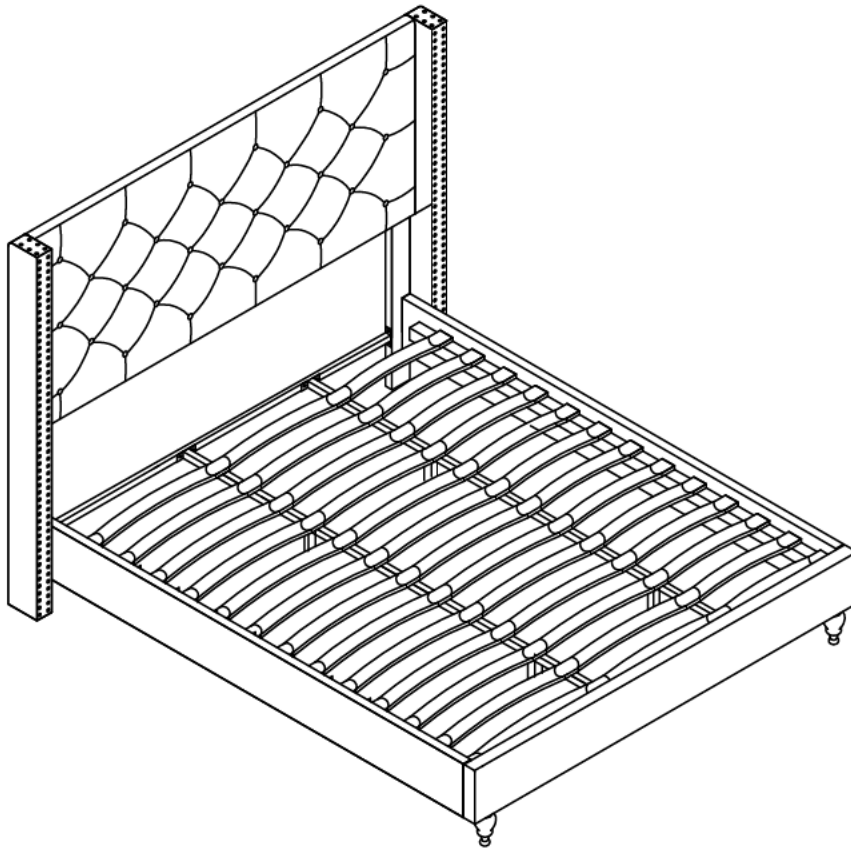




- #B x 2pcs
- #C x 2pcs
- #E x 4pcs
- #G x 4pcs
- #H x 2pcs



Assembly Instructions



ASSEMBLY RATING

The Assembly Rating is a 5-point system that shows the degree of effort needed in assembling a specific product (with 1 being easy and 5 being difficult). For some products, two persons are recommended.

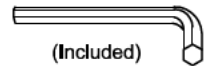
EASY



DIFFICULT

Tools Required For Assembly:

Allen Wrench



(Included)

Wrench



(Included)

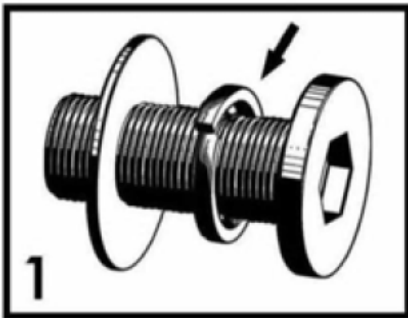


2 PERSONS RECOMMENDED

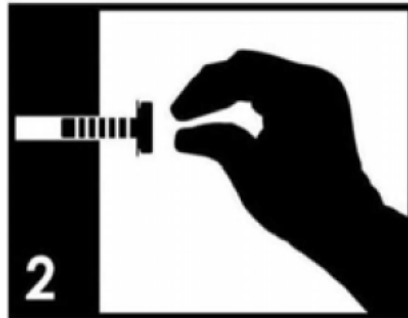
ASSEMBLY & CARE ADVICE

FOR YOUR FURNITURE TO LAST, CORRECT ASSEMBLY AND PROPER MAINTENANCE ARE NECESSARY. PLEASE FOLLOW THE INFORMATION PROVIDED BELOW TO FULLY ENJOY YOUR FURNITURE.

BASIC ASSEMBLY TECHNIQUES



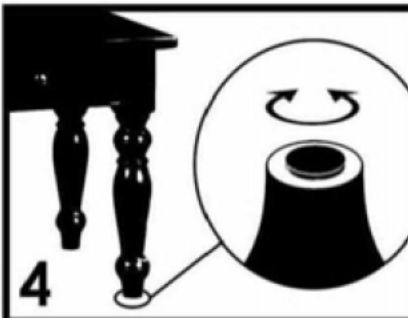
When lock or spring washer is used in an assembly, please make sure the lock or spring washer is placed between the larger flat washer and the head of the screw or bolt.



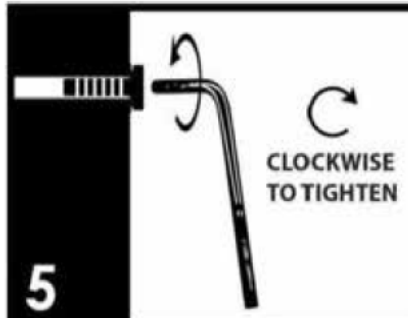
Position each part correctly and insert screws or bolts into their respective holes by hand tighten or using the proper hand tool. Only tighten when step 1s completed or when instructed to do so.



Use cardboard or carpet area when assembling furniture to prevent scratches. Make sure the furniture rests on a flat and level surface with each leg evenly touching the floor.



Some furniture comes with height adjustment knobs underneath each leg. To lower or to raise each leg, you need to turn clockwise or counterclockwise, respectively.



Make sure all parts are properly aligned, then use the appropriate hand tool to completely tighten the bolts or screws. Do not use power tools and do not overtighten.



Save the instructions and store the Allen wrench or any supplied tool for later maintenance. After two weeks, check and tighten any loose hardware and repeat again every six months thereafter.

IT IS THE USER'S RESPONSIBILITY TO MAINTAIN THE FURNITURE. THE HARDWARE MAY LOOSEN OVER TIME AND MAY CAUSE THE FURNITURE TO BE WOBBLY AND UNABLE TO SUPPORT ITS INTENDED WEIGHT CAPACITY. THIS MAY LEAD TO COLLAPSE AND MAY CAUSE SERIOUS INJURY.



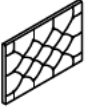









FAILURE TO FOLLOW THE GUIDELINES ABOVE MAY RESULT IN INJURY AND/OR PROPERTY DAMAGE.














Before you begin, please read Page 2 of "Assembly and Care Advice".

And remember, do not tighten until each step is completed or instructed.

Parts List

	#1 x 1pc Headboard
	#2 x 1pc Footboard
	#3 x 2pcs Side Rail
	#4 x 2pcs Wings
	#5 x 2pcs (L & R) HB Leg
	#6 x 2pcs FB Leg
	#7 x 39pcs Slat
	#8 x 2pcs Support Rail
	#9 x 4pcs Support leg
	#10 x 1pc HB Leg Support

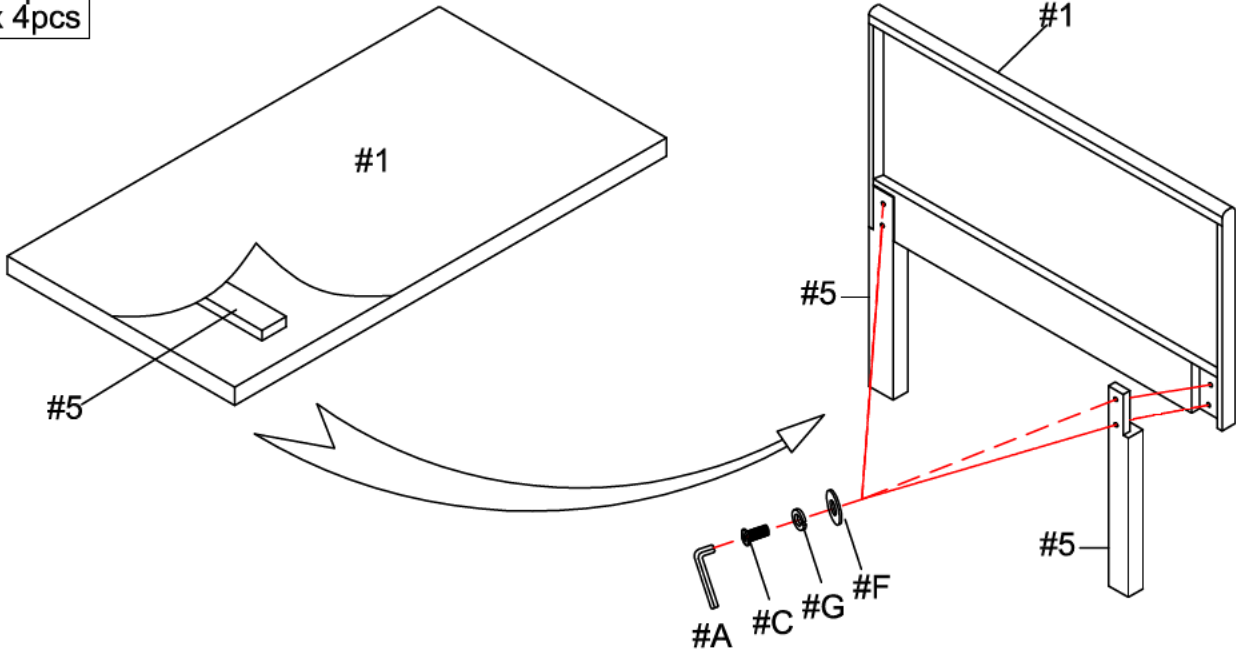
Hardware List

	#A x 1pc Allen Wrench
	#B x 16pcs Bolt Ø5/16"X1-1/2"
	#C x 20pcs Bolt Ø5/16"X2"
	#D x 2pcs Bolt Ø5/16"X4"
	#E x 28pcs Flat Washer Ø5/16"X19MM
	#F x 10pcs Flat Washer Ø5/16"X22MM
	#G x 38pcs Lock Washer
	#H x 12pcs Nut
	#I x 1pc Wrench
	#J x 26pcs End Cap
	#K x 26pcs Center Plastic Connector



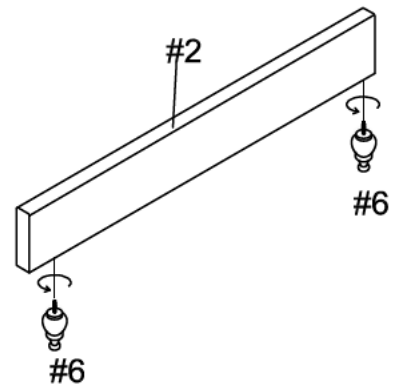
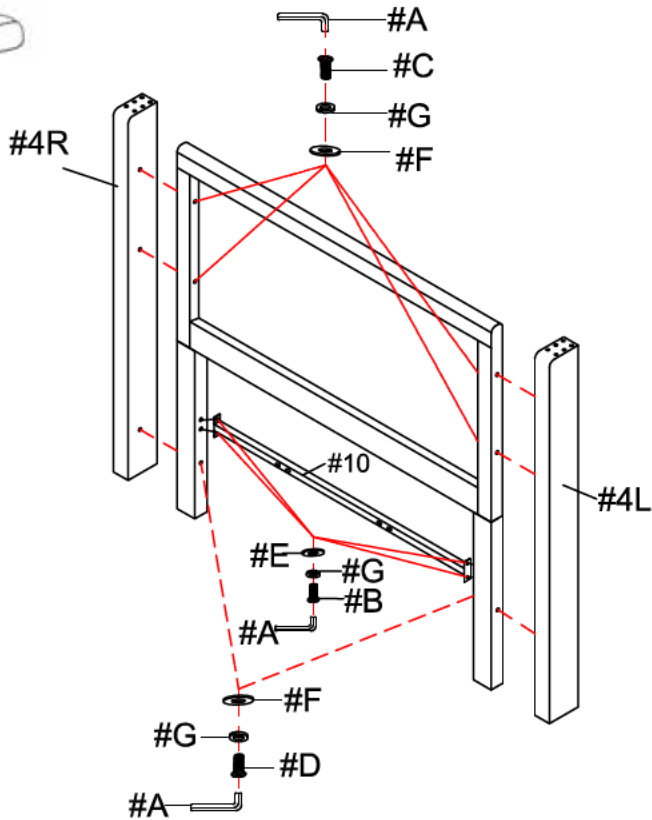
#1

- #Cx 4pcs
- #Fx 4pcs
- #Gx 4pcs



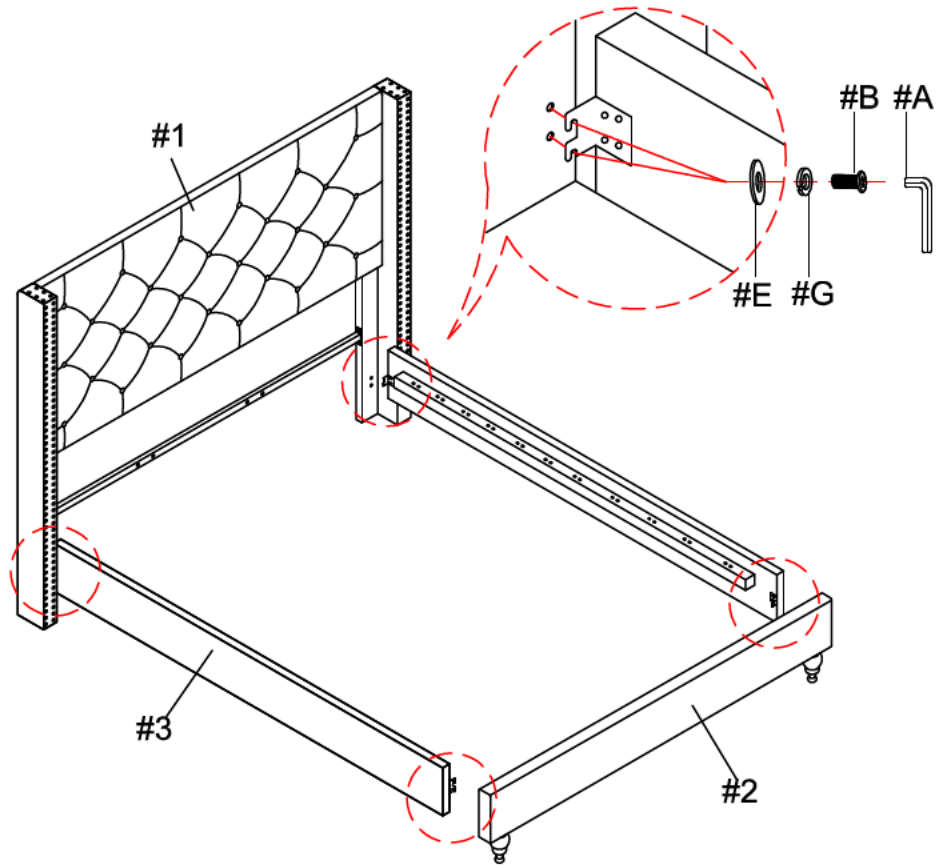
#2

- #Bx 4pcs
- #Cx 4pcs
- #D x 2pcs
- #Fx 10pcs
- #Gx 10pcs

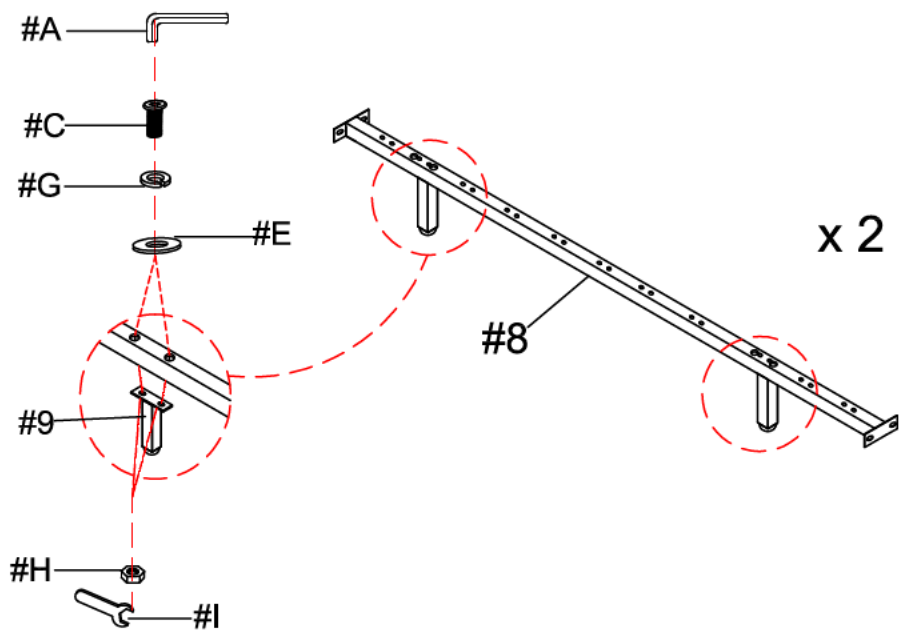




#B x 8pcs
#E x 8pcs
#G x 8pcs

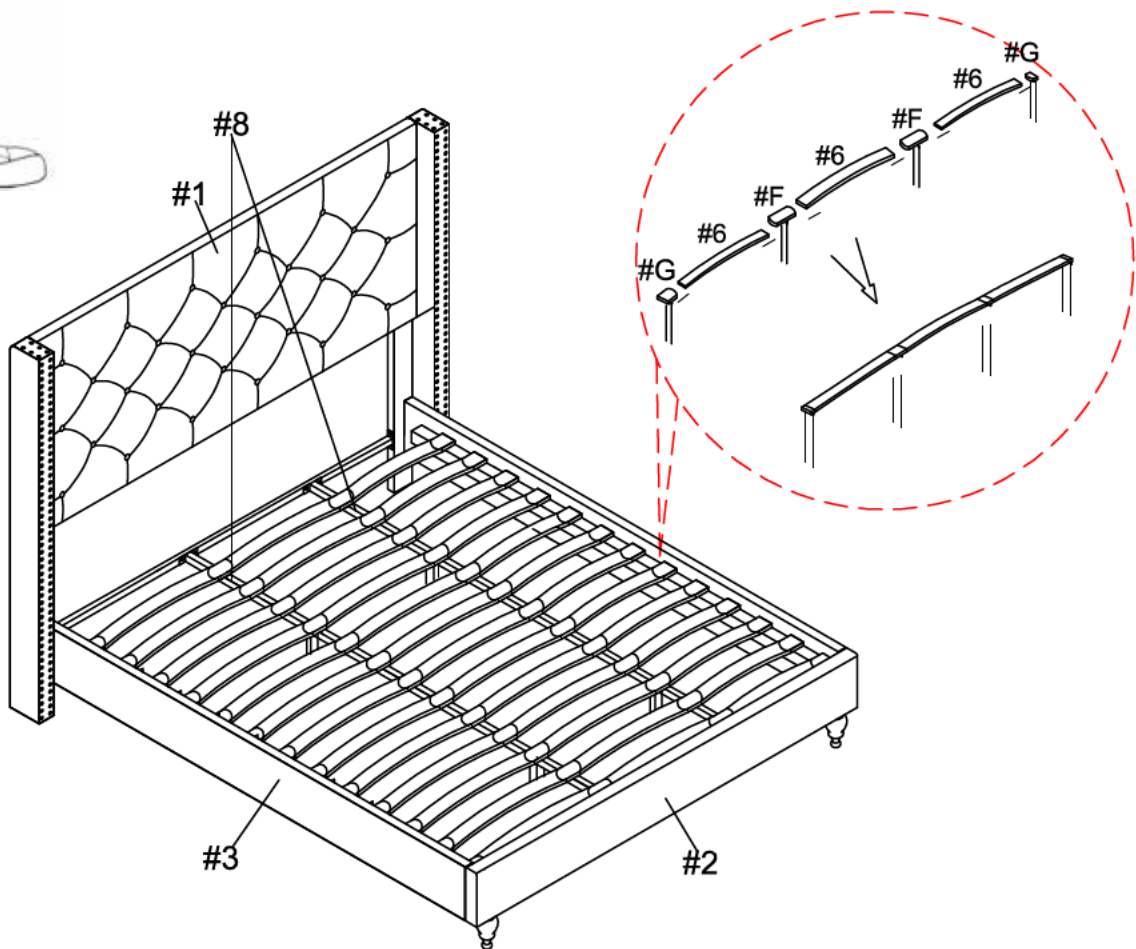
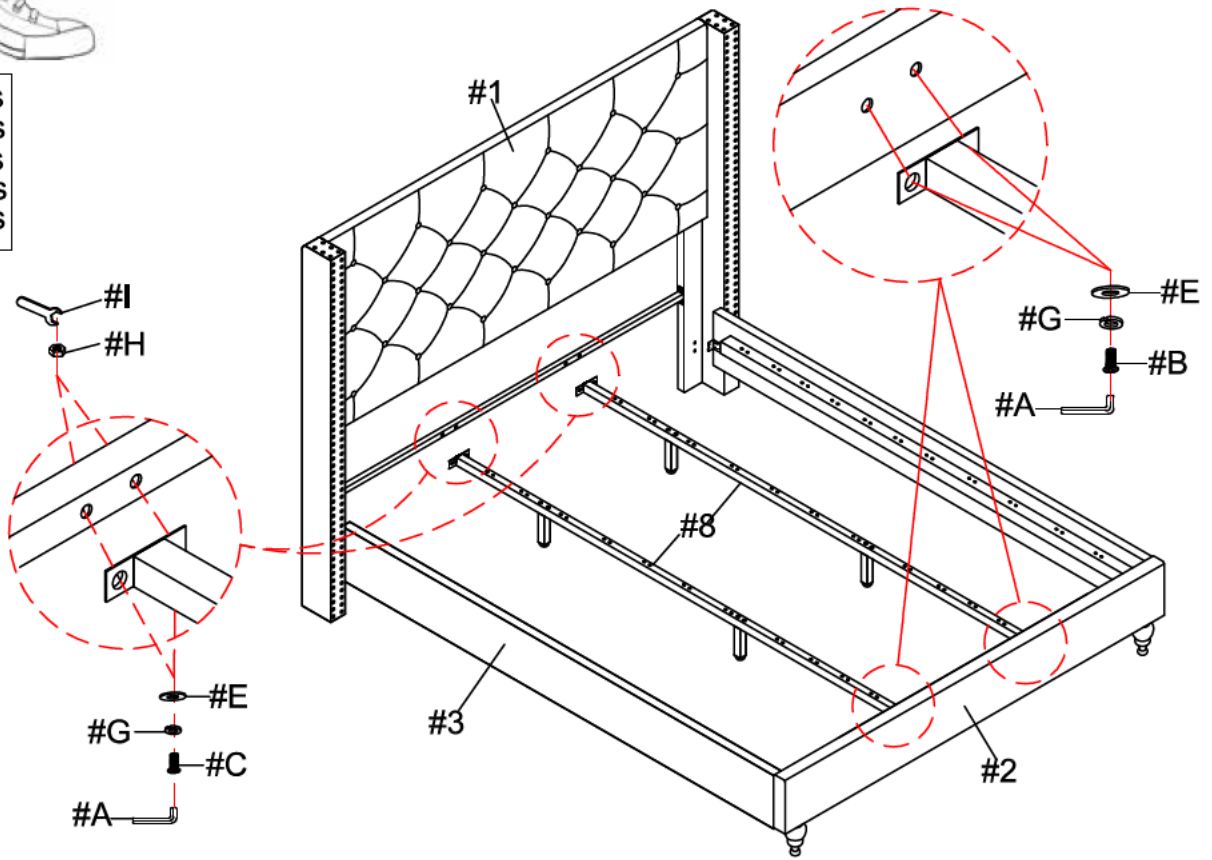


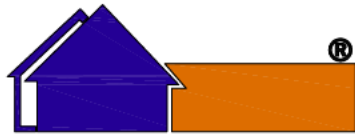
#C x 8pcs
#E x 8pcs
#G x 8pcs
#H x 8pcs





- #B x 4pcs
- #C x 4pcs
- #E x 8pcs
- #G x 8pcs
- #H x 4pcs

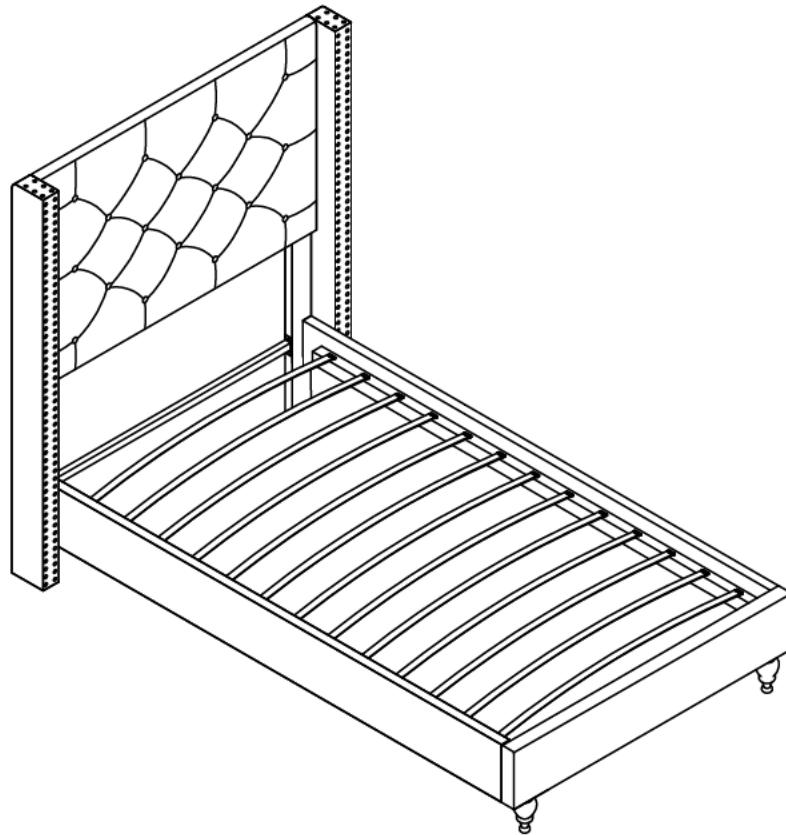




Furniture of America[®]

Assembly Instructions

CM7677-T



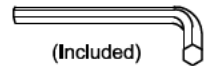
ASSEMBLY RATING

The Assembly Rating is a 5-point system that shows the degree of effort needed in assembling a specific product (with 1 being easy and 5 being difficult). For some products, two persons are recommended.

EASY  DIFFICULT

Tools Required For Assembly:

Allen Wrench

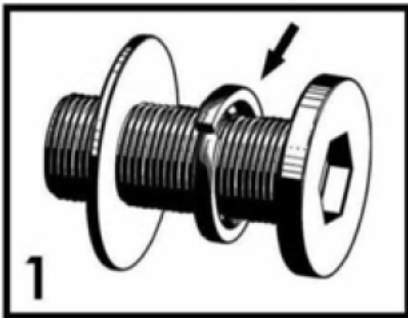


2 PERSONS RECOMMENDED

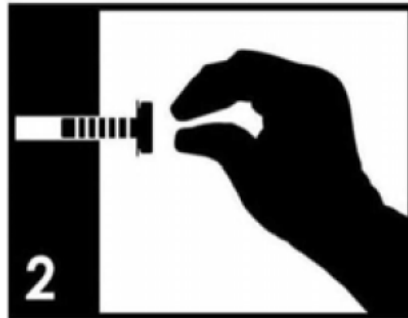
ASSEMBLY & CARE ADVICE

FOR YOUR FURNITURE TO LAST, CORRECT ASSEMBLY AND PROPER MAINTENANCE ARE NECESSARY. PLEASE FOLLOW THE INFORMATION PROVIDED BELOW TO FULLY ENJOY YOUR FURNITURE.

BASIC ASSEMBLY TECHNIQUES



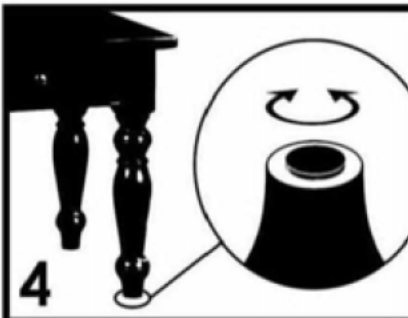
When lock or spring washer is used in an assembly, please make sure the lock or spring washer is placed between the larger flat washer and the head of the screw or bolt.



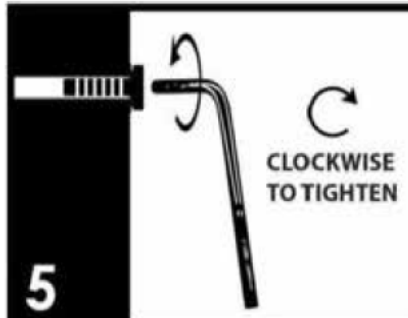
Position each part correctly and insert screws or bolts into their respective holes by hand tighten or using the proper hand tool. Only tighten when step 1s completed or when instructed to do so.



Use cardboard or carpet area when assembling furniture to prevent scratches. Make sure the furniture rests on a flat and level surface with each leg evenly touching the floor.



Some furniture comes with height adjustment knobs underneath each leg. To lower or to raise each leg, you need to turn clockwise or counterclockwise, respectively.



Make sure all parts are properly aligned, then use the appropriate hand tool to completely tighten the bolts or screws. Do not use power tools and do not overtighten.



Save the instructions and store the Allen wrench or any supplied tool for later maintenance. After two weeks, check and tighten any loose hardware and repeat again every six months thereafter.

IT IS THE USER'S RESPONSIBILITY TO MAINTAIN THE FURNITURE. THE HARDWARE MAY LOOSEN OVER TIME AND MAY CAUSE THE FURNITURE TO BE WOBBLY AND UNABLE TO SUPPORT ITS INTENDED WEIGHT CAPACITY. THIS MAY LEAD TO COLLAPSE AND MAY CAUSE SERIOUS INJURY.



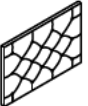







FAILURE TO FOLLOW THE GUIDELINES ABOVE MAY RESULT IN INJURY AND/OR PROPERTY DAMAGE.











Before you begin, please read Page 2 of "Assembly and Care Advice".

And remember, do not tighten until each step is completed or instructed.

Parts List

	#1 x 1pc Headboard
	#2 x 1pc Footboard
	#3 x 2pcs Side Rail
	#4 x 2pcs Wings (L & R)
	#5 x 2pcs (L & R) HB leg
	#6 x 2pcs FB feet
	#7 x 13pcs Slats
	#8 x 1pc HB Leg Support

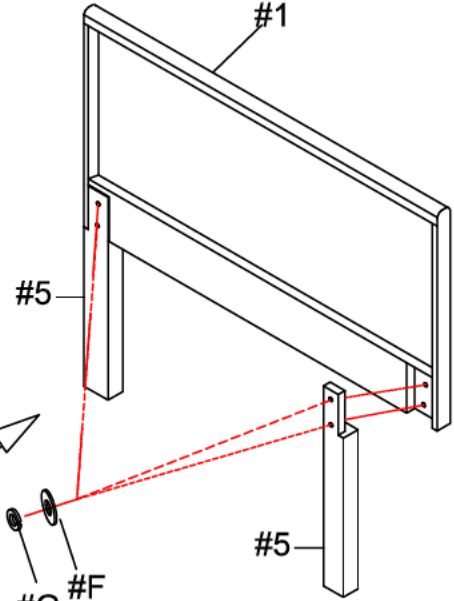
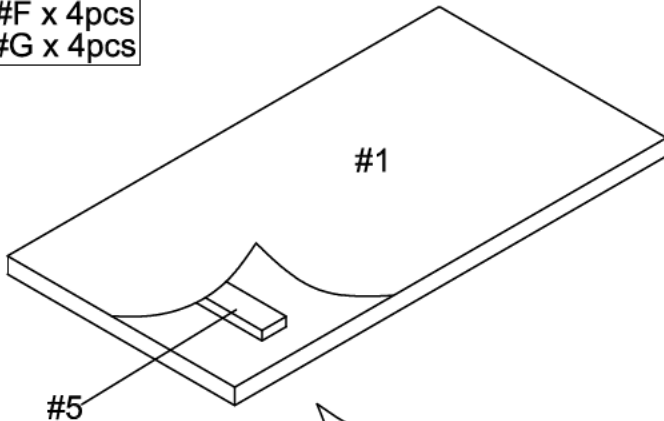
Hardware List

	#A x 1pc Allen Wrench
	#B x 12pcs Bolt Ø5/16"X1-1/2"
	#C x 8pcs Bolt Ø5/16"X2"
	#D x 2pcs Bolt Ø5/16"X4"
	#E x 12pcs Flat Washer Ø5/16"X19MM
	#Fx 10pcs Flat Washer Ø5/16"X22MM
	#G x 22pcs Lock Washer
	#H x 26pcs End Cap



#1

- #C x 4pcs
- #F x 4pcs
- #G x 4pcs

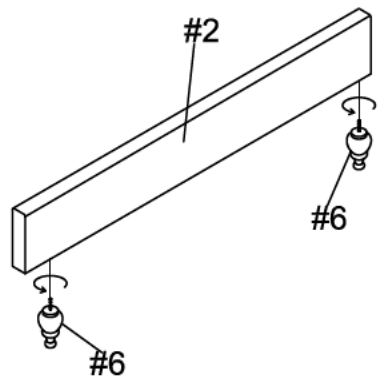
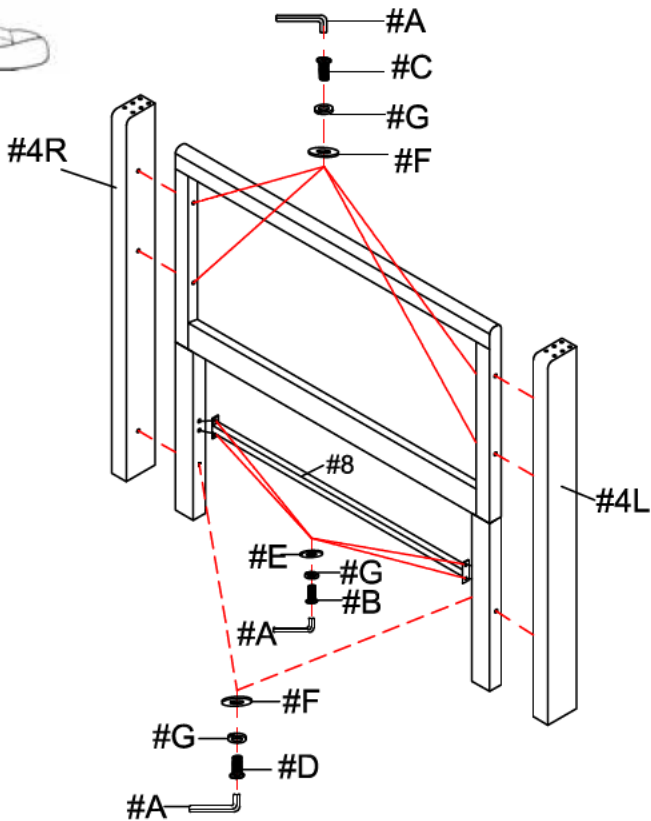


- #A
- #C
- #G
- #F



#2

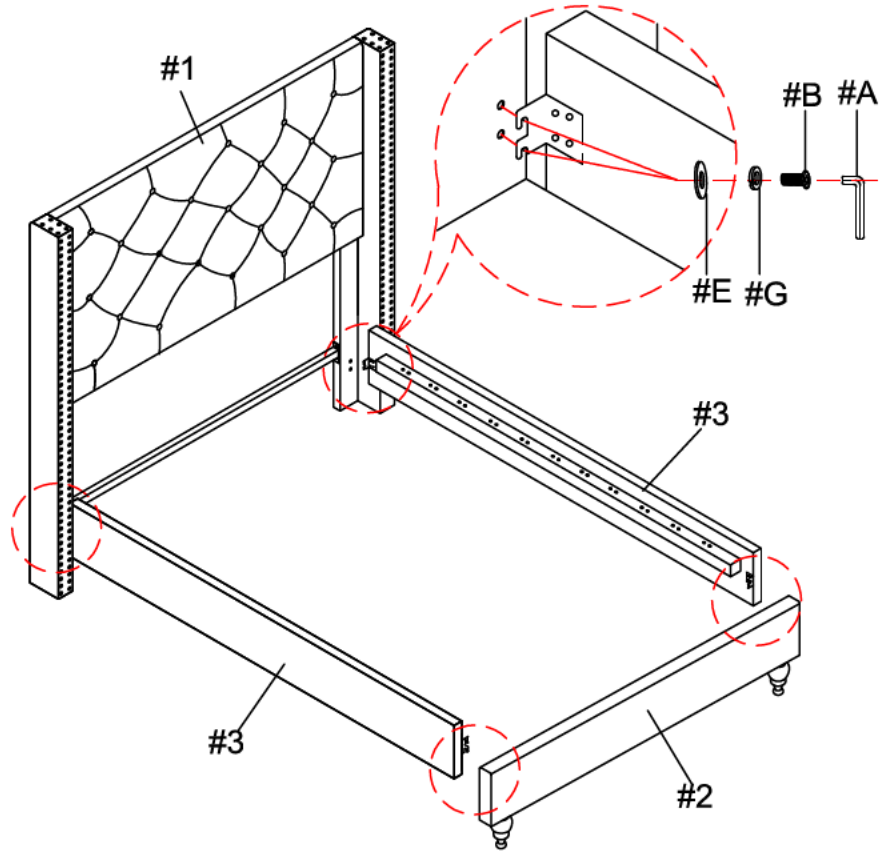
- #Bx 4pcs
- #Cx 4pcs
- #D x 2pcs
- #E x 4pcs
- #Fx 10pcs
- #Gx 10pcs





#3

#B x 8pcs
#E x 8pcs
#G x 8pcs



#4

#H x 26pcs

