

CARE AND MAINTENANCE

Spot clean using a mild water-free solvent. Only a professional cleaner should undertake a complete overall cleaning.

The use of steam or water-based cleaners may cause excessive shrinking or staining.




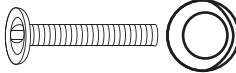






NOTICE

* Please make sure that you have all parts indicated before you begin assembly of this item

* This item should be assembled on a soft surface to prevent scratching the finish during assembly

* This item may require periodic tightening

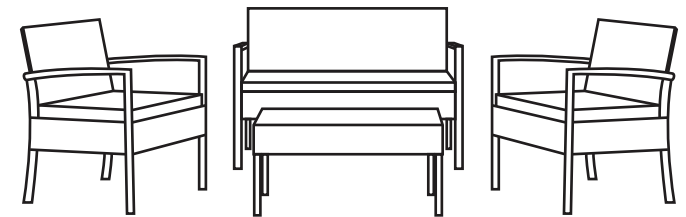
Part List And Hardware List

PIECE	DESCRIPTION	PICTURE	UANTITY
A	Backrest		2x
B	Seat		2x
C	Arm		6x
D	Bolt		39x
E	Allen key		1x
F	Loveseat Backrest		1x
G	Loveseat Seat		1x
H	Glass Table Top		1x
I	Side Panel		2x
J	Front/Back Panel with Legs		2x

Product Dimensions: 2SEATER:41-1/2"*23-1/2"D*28"H

1SEATER:23"*23-1/2"D*28"H

TABLE:29-1/2"*23-16"D*15"H



PREPARATION

Before beginning assembly of product, make sure all parts are present. Compare parts with package contents list and hardware contents list.

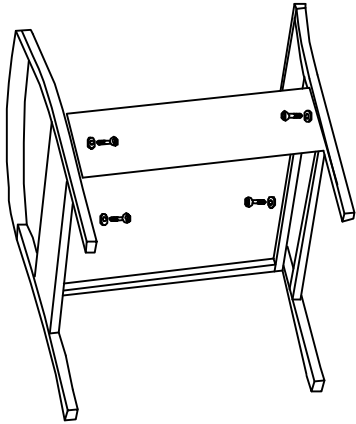
If any part is missing or damaged, do not attempt to assemble the product.

Estimated Assembly Time: 45 minutes.

Tools Required for Assembly (included): Allen Key

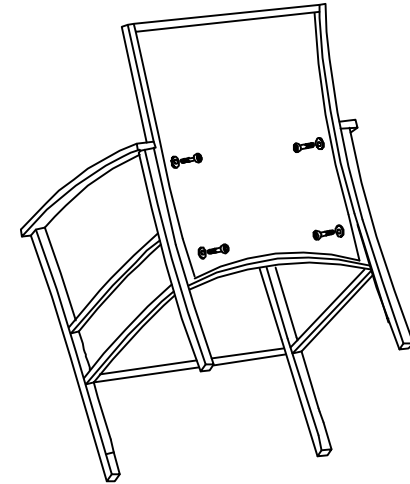
Chair Assembly

STEP 1



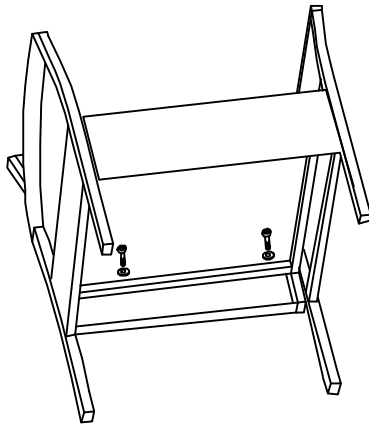
B x 1
C x 2
D x 4

STEP 2



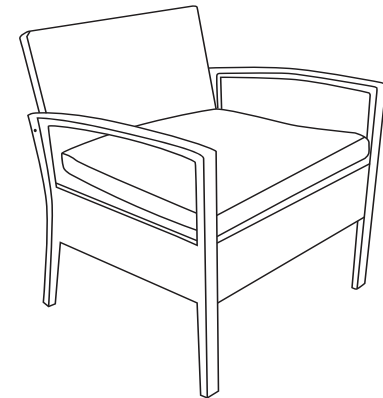
A x 1
D x 4

STEP 3



D x 2

STEP 4



Note: Repeat steps for second chair

PREPARATION

Before beginning assembly of product, make sure all parts are present. Compare parts with package contents list and hardware contents list.

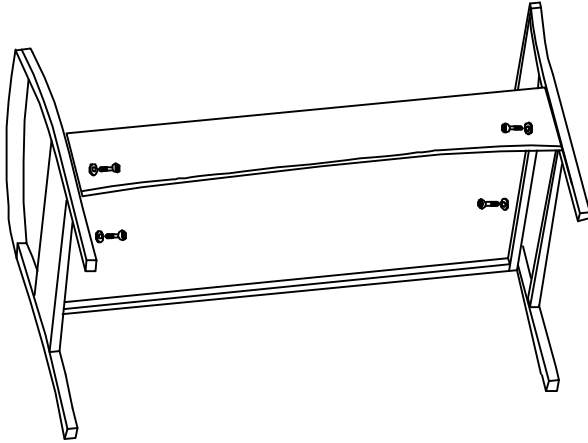
If any part is missing or damaged, do not attempt to assemble the product.

Estimated Assembly Time: 45 minutes.

Tools Required for Assembly (included): Allen Key

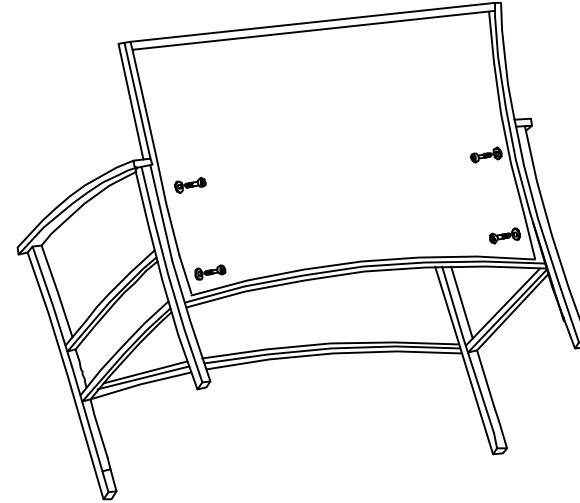
Loveseat Assembly

STEP 5



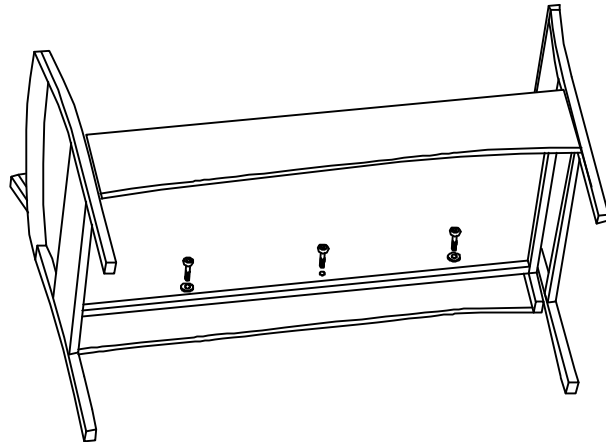
C x 2
G x 1
D x 4

STEP 6



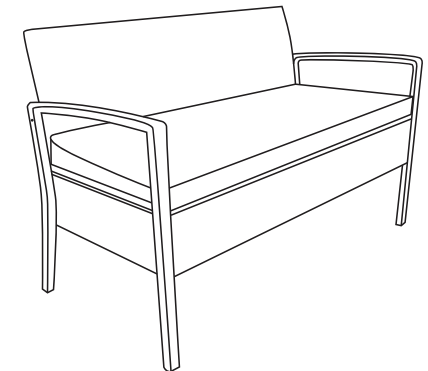
F x 1
D x 4

STEP 7



D x 3

STEP 8



PREPARATION

Before beginning assembly of product, make sure all parts are present. Compare parts with package contents list and hardware contents list.

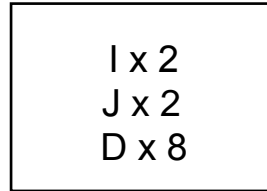
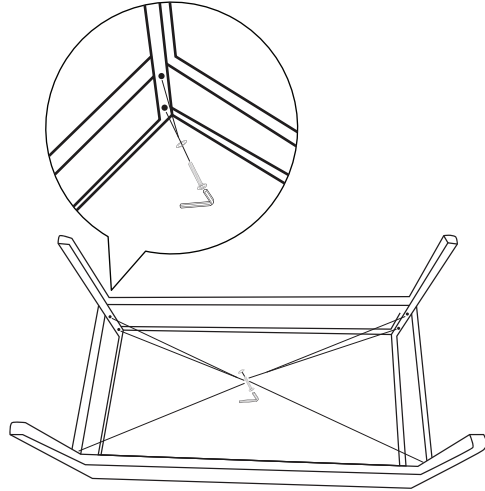
If any part is missing or damaged, do not attempt to assemble the product.

Estimated Assembly Time: 45 minutes.

Tools Required for Assembly (included): Allen Key

Table Assembly

STEP 9



STEP 10

