

ASSEMBLY INSTRUCTIONS

Read this instruction carefully. See hardware and furniture part list for guidance. Be sure all parts are complete, before you assemble. Place all wooden furniture parts on a clean and flat soft surface to prevent from being scratched. Follow the figure to start assembling.

CAUTIONS : 1. Do not FULLY - TIGHTEN the nut or nut bolt until all nut or bolt is ready assembled.
 2. Do not OVER - TIGHTEN the nut or bolt to avoid causing damages to the thread.
 3. Keep all hardware parts out of reach of children.

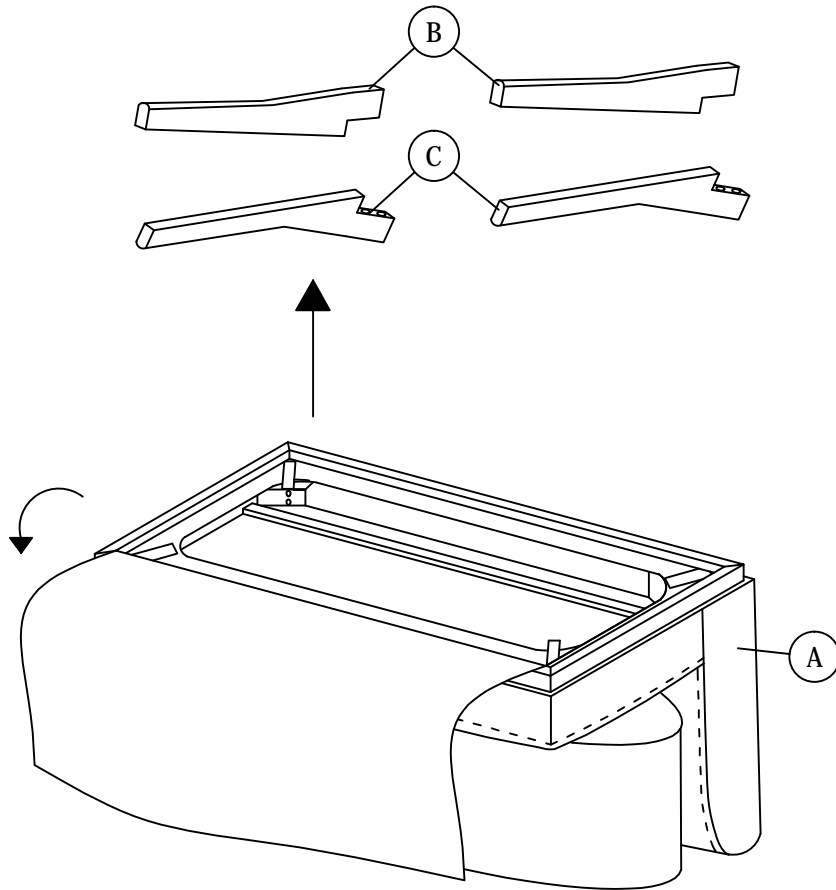
PART LIST		
ITEM	DESCRIPTION	QTY
A	CHAIR	1 PC
B	LEG FRONT	2 PCS
C	LEG BACK	2 PCS

HARDWARE LIST		
ITEM	DESCRIPTION	QTY
1	JCBB Bolt M8 x 45mm 	8 PCS
2	M8 FLAT WASHER 	8 PCS
3	M8 SPRING WASHER 	8 PCS
4	M5 ALLEN KEY (BALL SHAPE) 	1 PC

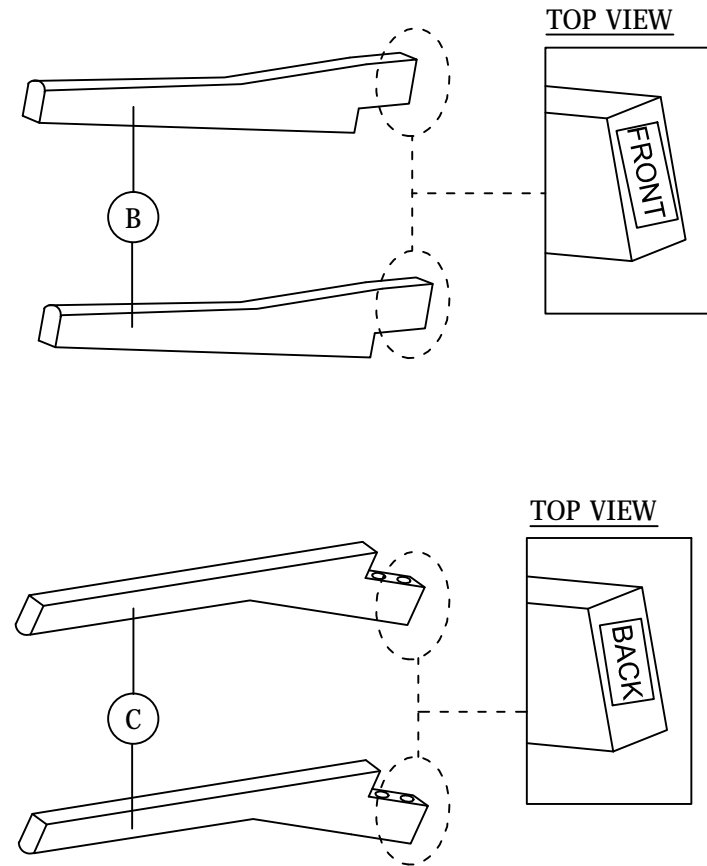
NOTE : THE LIST AND QUANTITY SHOWN ARE FOR 1 UNIT ASSEMBLY.

STEP 1

1.1 Open the zip at the bottom of cushion seat and take out leg.

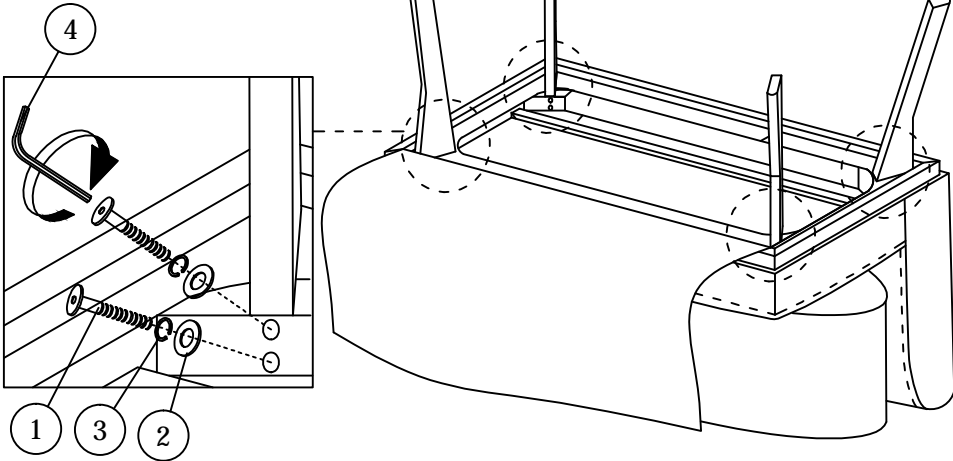
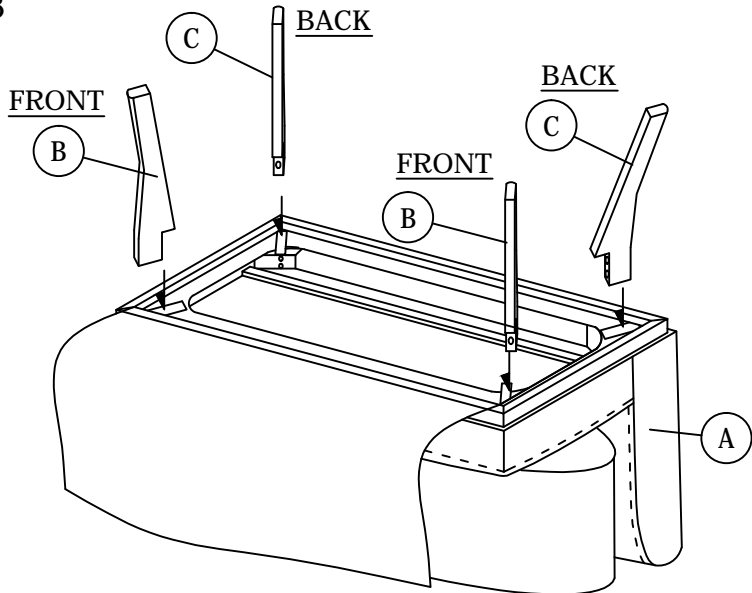


STEP 2

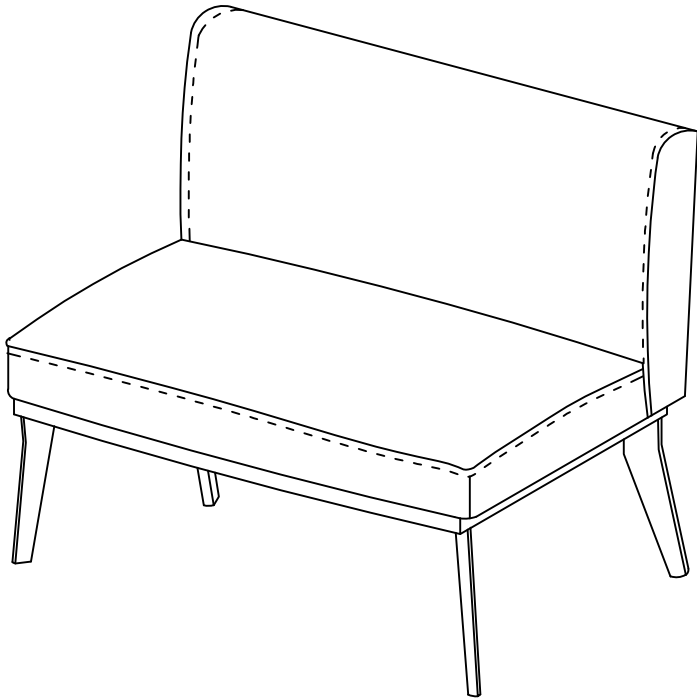


ASSEMBLY INSTRUCTIONS

STEP 3



STEP 4



ASSEMBLY INSTRUCTIONS

Read this instruction carefully. See hardware and furniture part list for guidance. Be sure all parts are complete, before you assemble. Place all wooden furniture parts on a clean and flat soft surface to prevent from being scratched. Follow the figure to start assembling.

CAUTIONS : 1. Do not FULLY - TIGHTEN the nut or nut bolt until all nut or bolt is ready assembled.
 2. Do not OVER - TIGHTEN the nut or bolt to avoid causing damages to the thread.
 3. Keep all hardware parts out of reach of children.

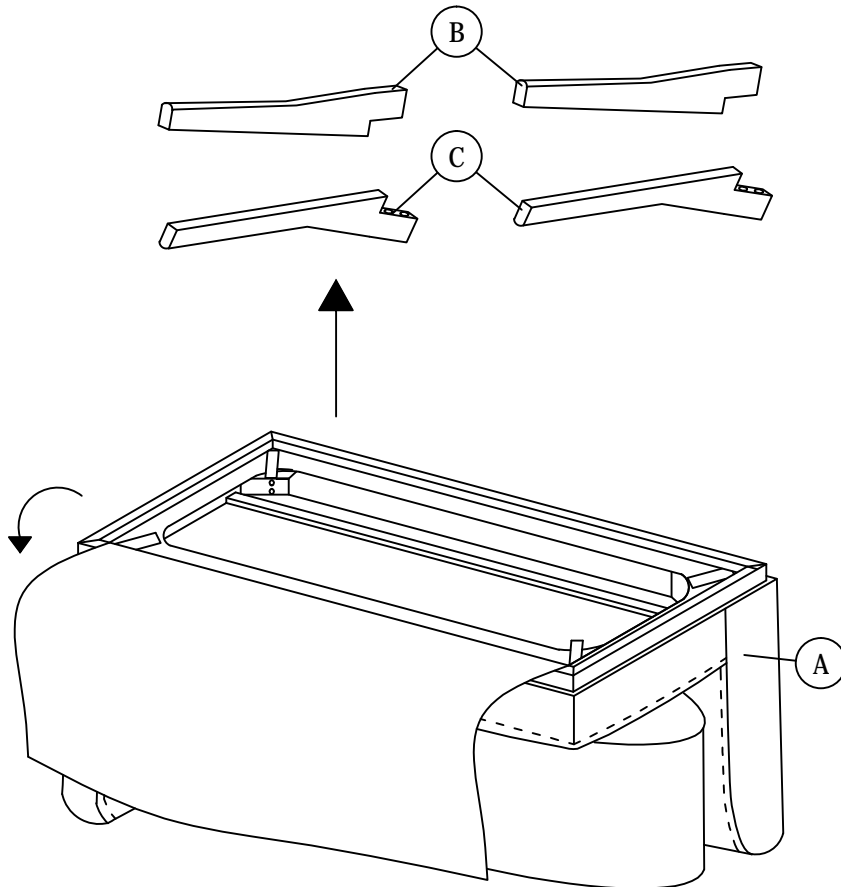
PART LIST		
ITEM	DESCRIPTION	QTY
A	BENCH	1 PC
B	LEG FRONT	2 PCS
C	LEG BACK	2 PCS

HARDWARE LIST		
ITEM	DESCRIPTION	QTY
1	JCBB Bolt M8 x 45mm 	8 PCS
2	M8 FLAT WASHER 	8 PCS
3	M8 SPRING WASHER 	8 PCS
4	M5 ALLEN KEY (BALL SHAPE) 	1 PC

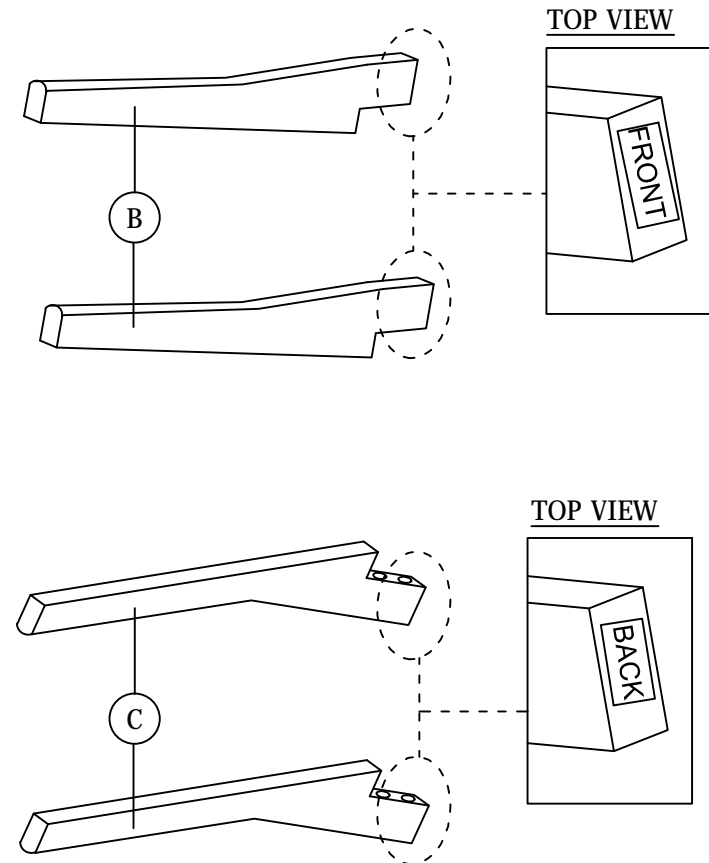
NOTE : THE LIST AND QUANTITY SHOWN ARE FOR 1 UNIT ASSEMBLY.

STEP 1

1.1 Open the zip at the bottom of cushion seat and take out leg.

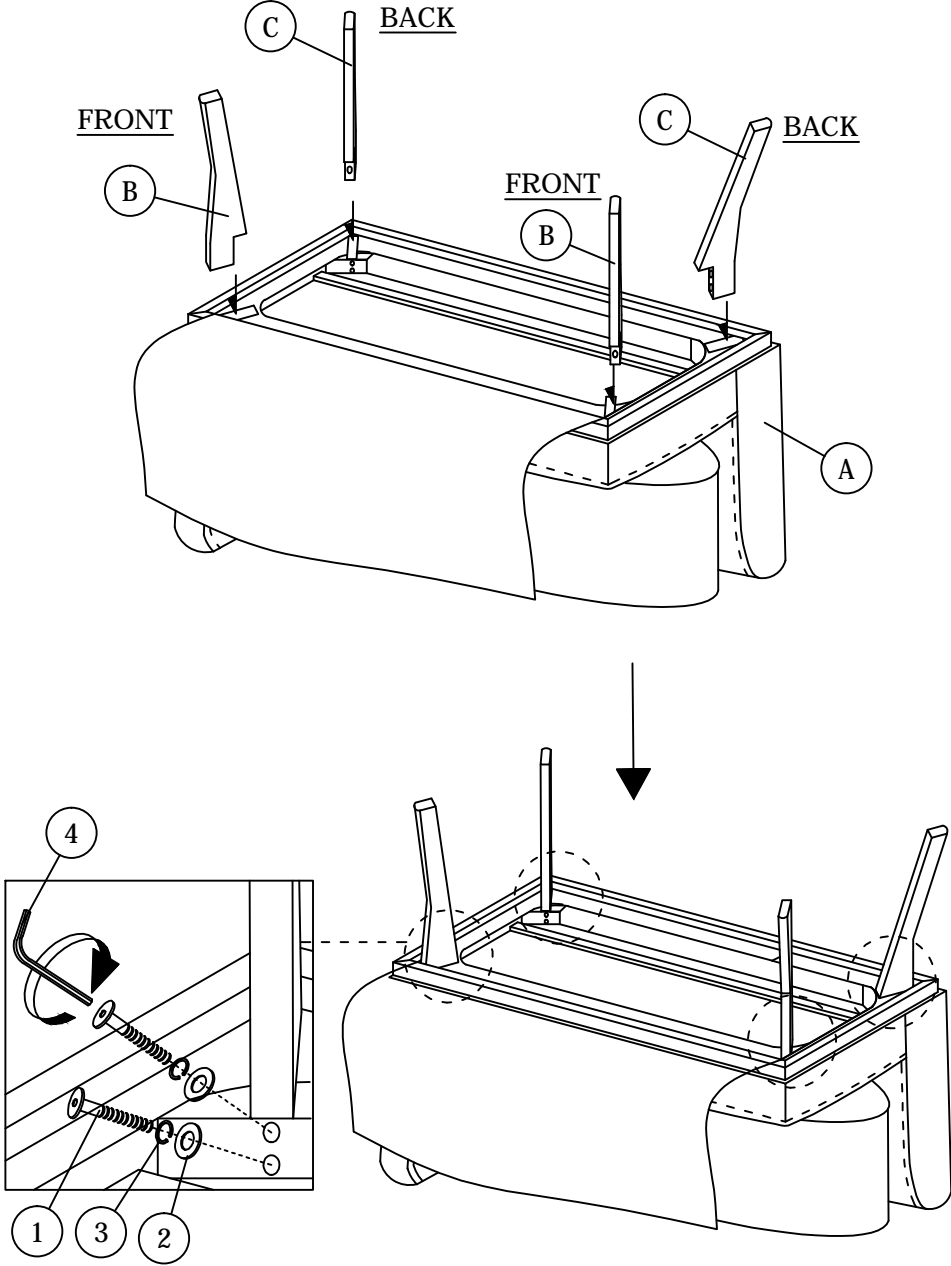


STEP 2

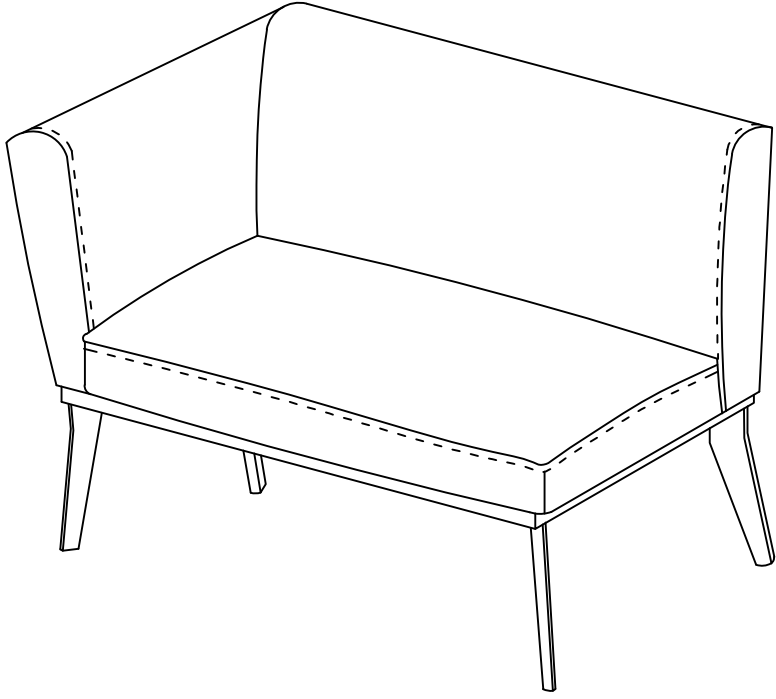


ASSEMBLY INSTRUCTIONS

STEP 3



STEP 4



ASSEMBLY INSTRUCTIONS

Read this instruction carefully. See hardware and furniture part list for guidance. Be sure all parts are complete, before you assemble. Place all wooden furniture parts on a clean and flat soft surface to prevent from being scratched. Follow the figure to start assembling.

CAUTIONS : 1. Do not FULLY - TIGHTEN the nut or nut bolt until all nut or bolt is ready assembled.
2. Do not OVER - TIGHTEN the nut or bolt to avoid causing damages to the thread.
3. Keep all hardware parts out of reach of children.

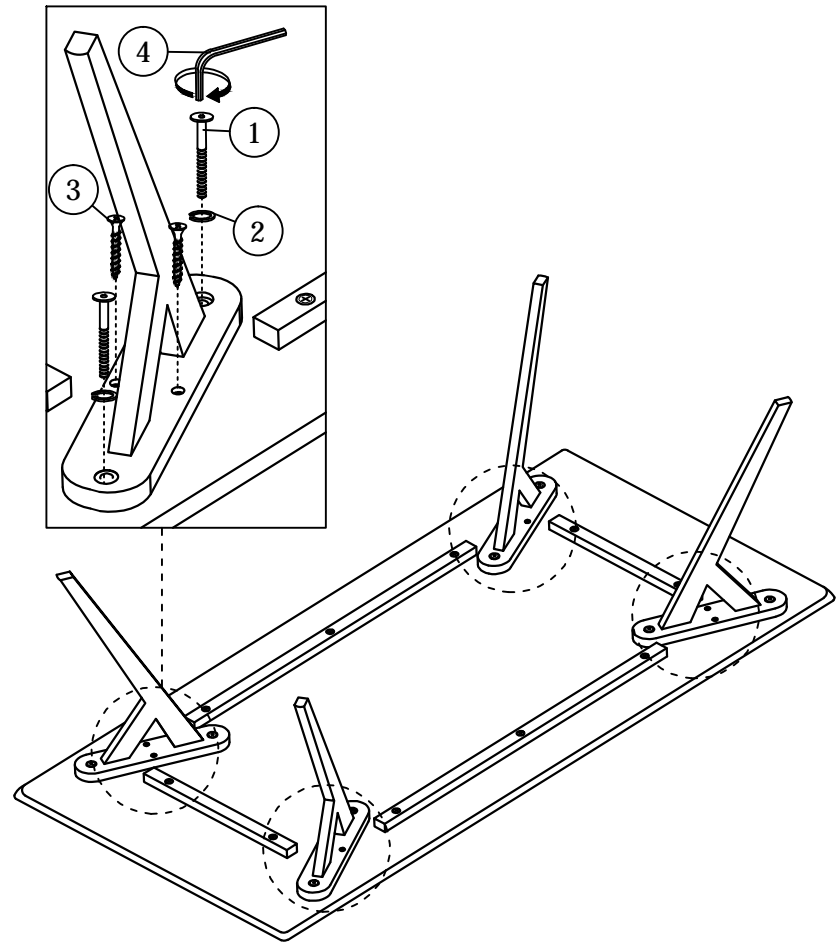
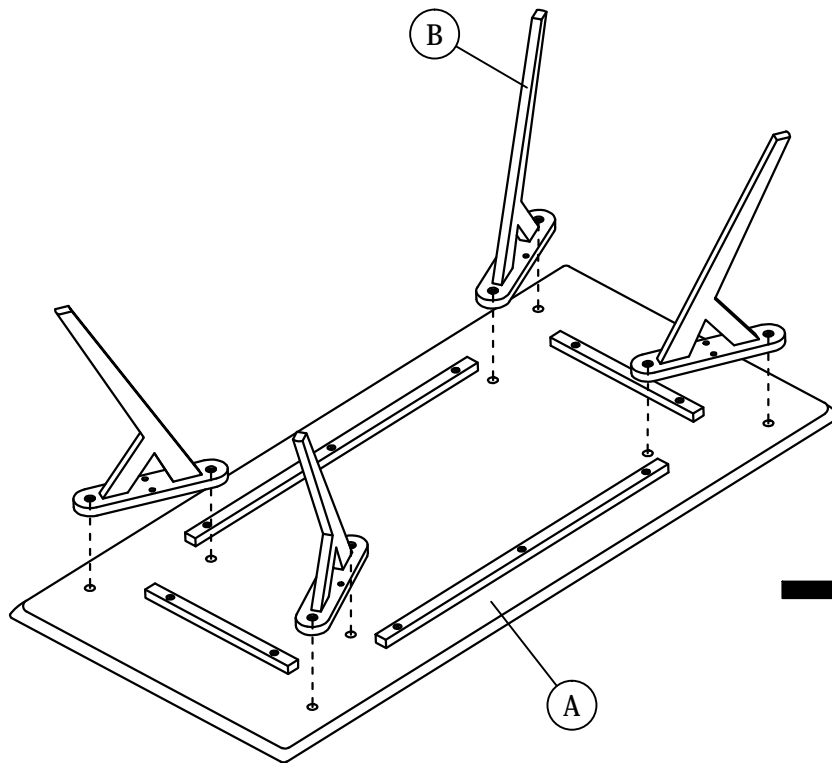
NOTE : THE LIST AND QUANTITY SHOWN ARE FOR 1 UNIT ASSEMBLY.

Tool needed : Screwdriver (not provider).

PART LIST		
ITEM	DESCRIPTION	QTY
A	TABLE TOP	1 PC
B	LEGS	4 PCS

PART LIST		
ITEM	DESCRIPTION	QTY
1	JCBC BOLT M6 x 35mm	8 PCS
2	M6 SPRING WASHER	8 PCS
3	WOOD SCREW M4 x 32mm	8 PCS
4	M4 ALLEN KEY	1 PC

STEP 1



STEP 2

