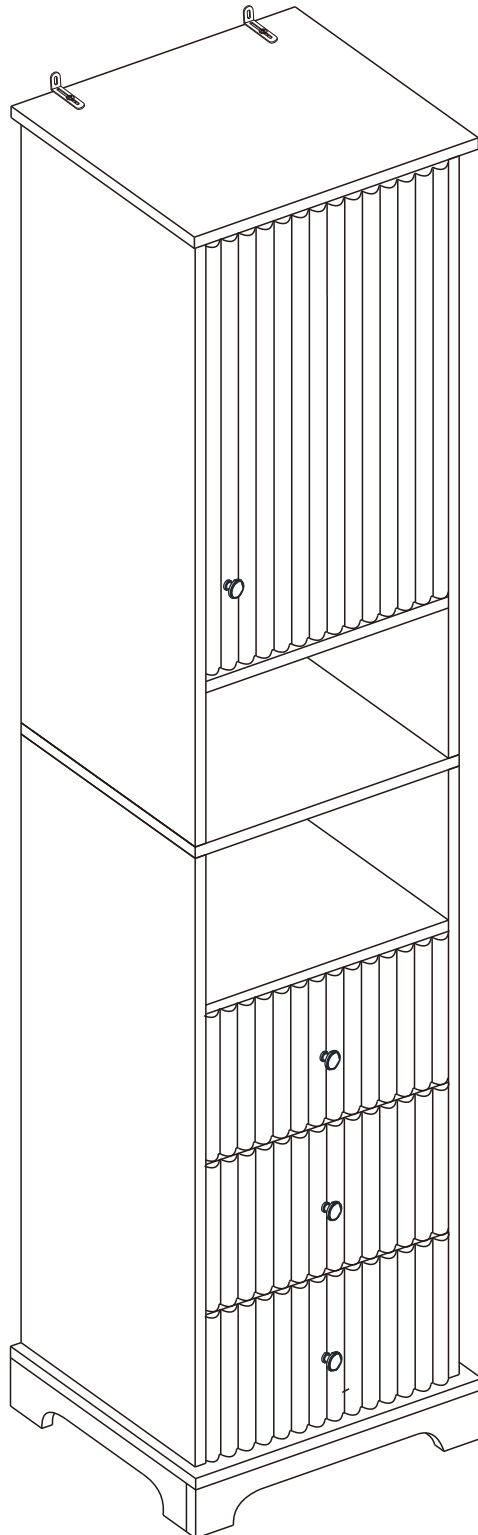


Storage Cabinet

Assembly Instructions - Please keep for future reference



Important – Please read these instructions fully before starting assembly



Safety and Care Advice

Important – Please read these instructions fully before starting assembly

- Check you have all the components and tools listed on the following pages.
- Remove all fittings from the plastic bags and separate them into their groups.
- Keep children and animals away from the work area, small parts could choke if swallowed.
- Make sure you have enough space to layout the parts before starting.

- During assembly do not stand or put weight on the product, this could cause damage.
- Assemble the item as close to its final position (in the same room) as possible.
- Assemble on a soft level surface to avoid damaging the unit or your floor.
- Parts of the assembly will be easier with 2 people.



power drill is set on a low torque setting.

- To reduce the likelihood of damaging your product please ensure that your

Care and maintenance

- Only clean using a damp cloth and mild detergent, do not use bleach or abrasive cleaners.

- From time to time check that there are no loose screws on this unit.

- This product should not be discarded with household waste. Take to your local authority waste disposal centre.

Handy Hints

- Assemble all parts and bolts loosely during assembly, only once the product is complete should you fully tighten the bolts

- Regularly check and ensure That all bolts and fittings are tightened properly.

WARNING

In order to help prevent overturning – please follow these instructions

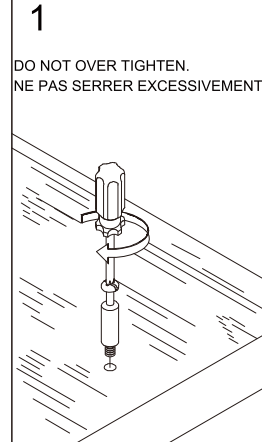
To help prevent product toppling over please follow the below steps:-

- Use the anti tip stop or wall fixing method provided (if applicable)
- Do not allow children to climb or hang on the furniture
- Do not open more than one drawer at a time
- Do not place heavy items in the top drawers
- Do not place heavy items on top of the furniture, unless the furniture has been designed for this purpose

Using Camlocks

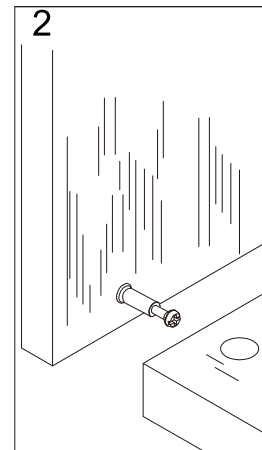
Step 1

Connect the male camlock as directed in the assembly instructions using a screwdriver.



Step 2

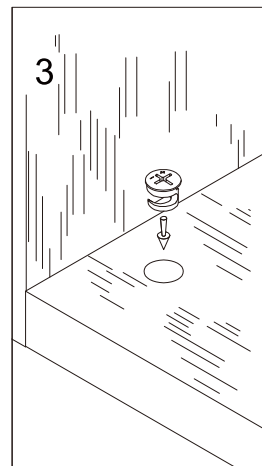
Push the male camlock into the entry hole.



Step 3

Insert the female camlock as shown in the instruction.

Note: ensure that the arrow on the top of the camlock points towards the entry hole for the male camlock.

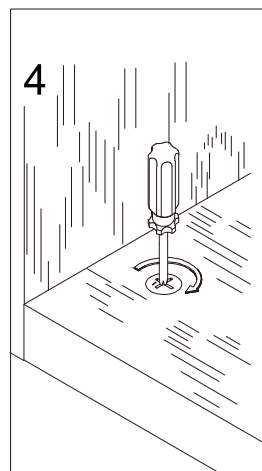


Step 4

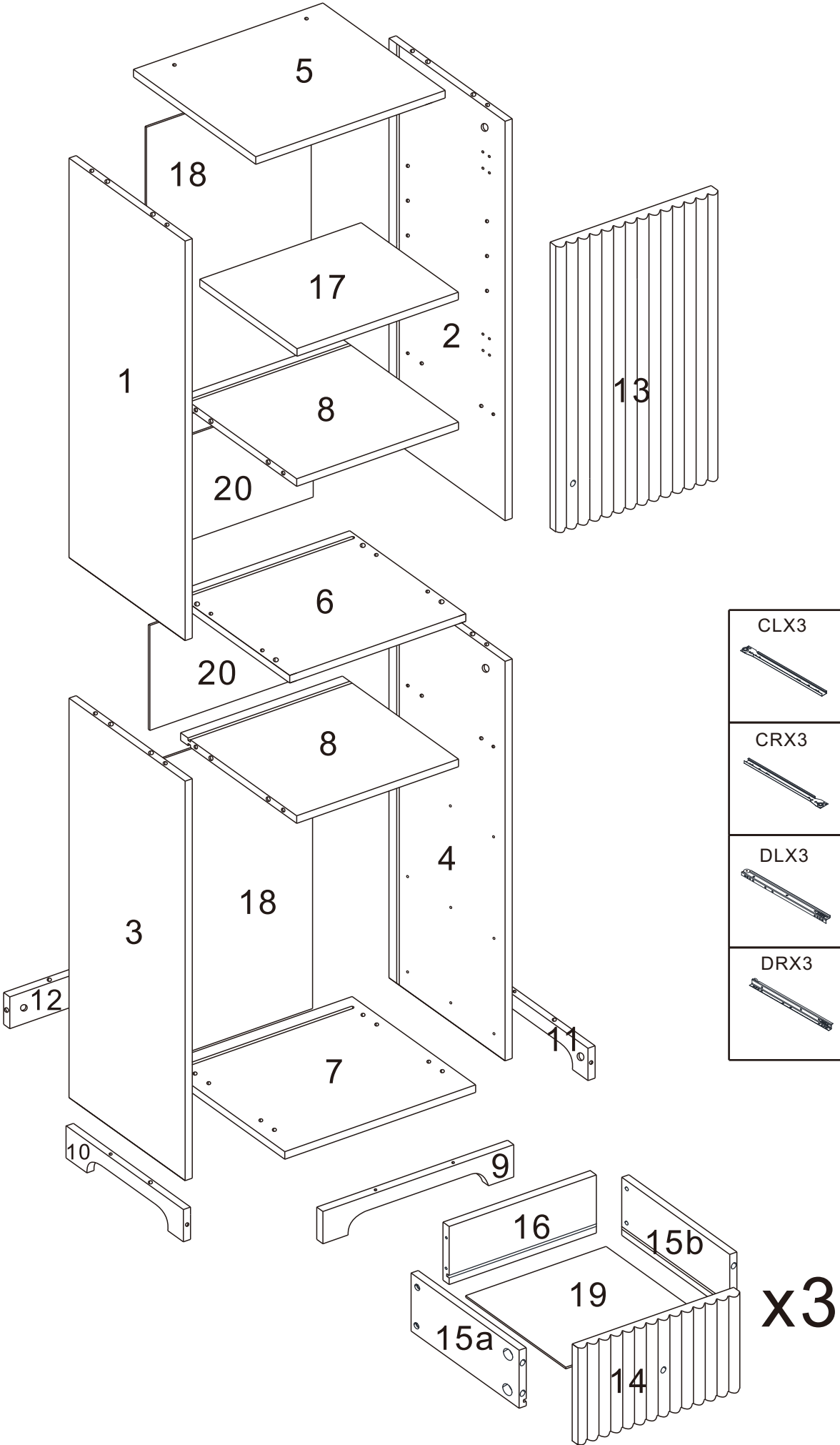
Turn the female camlock clockwise with a screwdriver.

You should feel a click when the camlock is locked in place.

The joint is now secure.



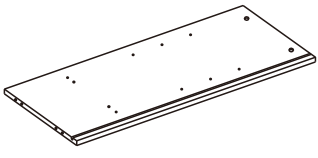
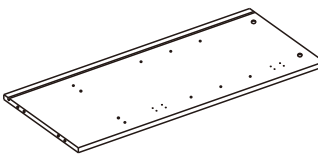
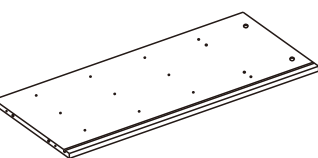
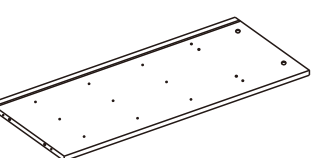
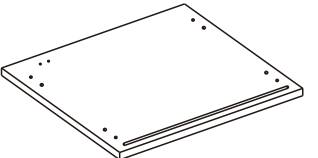
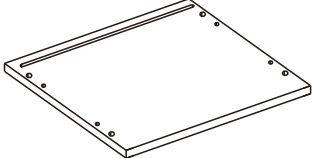
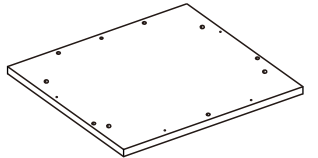
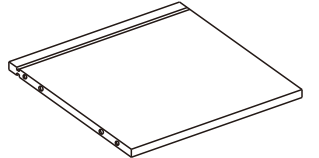
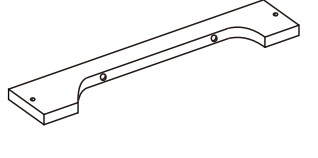
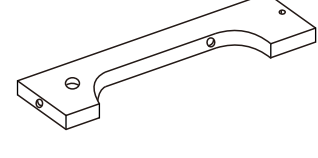
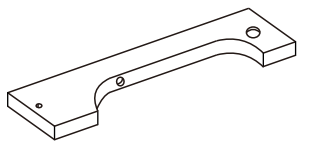
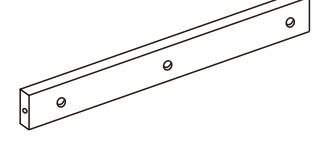
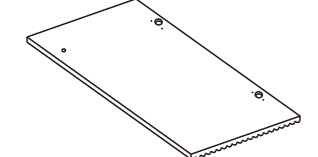
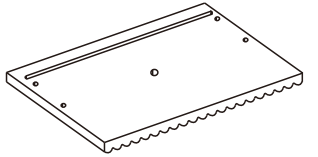
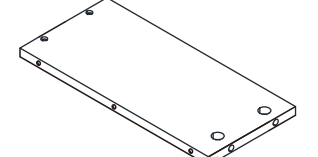
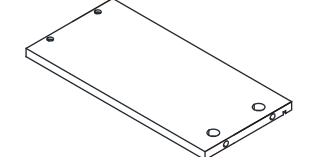
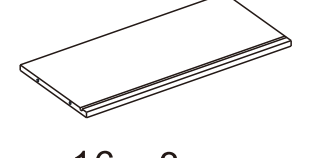

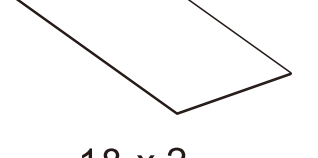
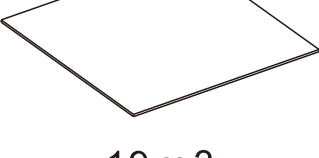
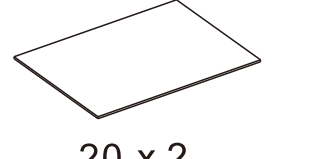


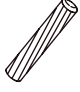













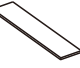
Assembly Instruction



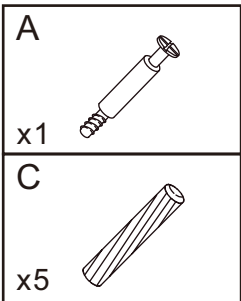
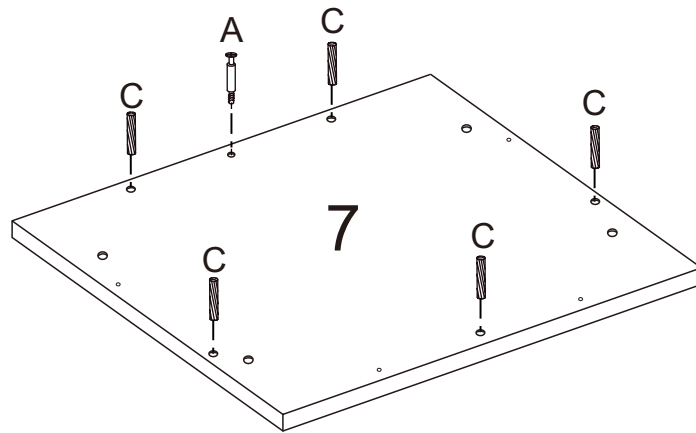
Components - Fittings

Please check you have all the panels listed below

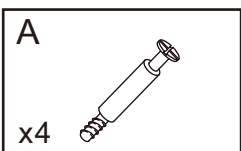
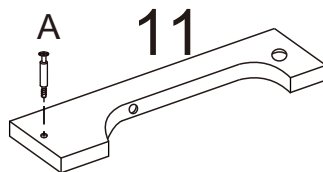
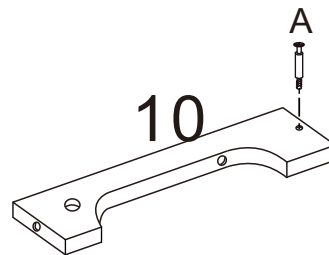
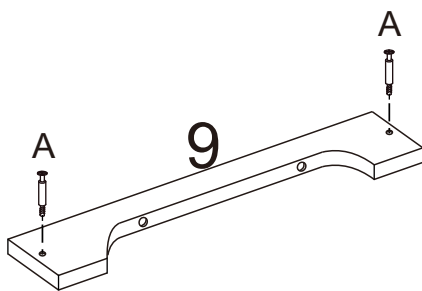
Note: The quantities below are the correct amount to complete the assembly. In some cases, more fittings may be supplied than required.

 1 x 1	 2 x 1	 3 x 1	 4 x 1			
 5 x 1	 6 x 1	 7 x 1	 8 x 1			
 9 x 1	 10 x 1	 11 x 1	 12 x 1			
 13 x 1	 14 x 3	 15a x 3	 15b x 3			
 16 x 3	 17 x 1	 18 x 2	 19 x 3			
 20 x 2	A x33 	B x33 	C x29 	D x8  Ø5x40mm	E x16  Ø4x30mm	F x36  Ø3x10mm
	G x12  Ø4x14mm	H x4  Ø4x25mm	I x4 	J x2 	K x2 	L x1 
M x2  Ø3x12mm	N x8 	O x8  Ø3x16mm	P x4 	Q x8 		

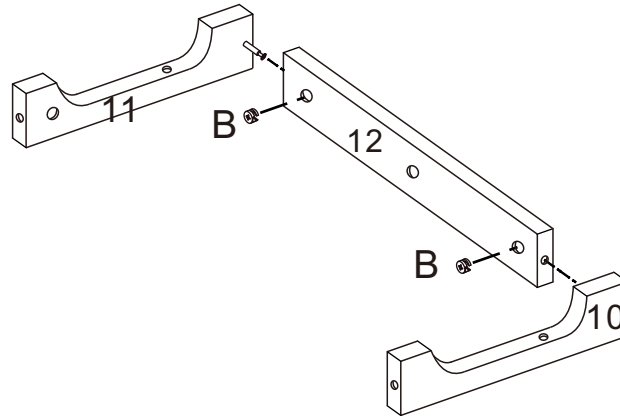
step 1



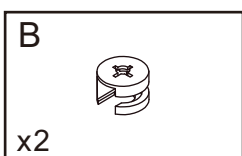
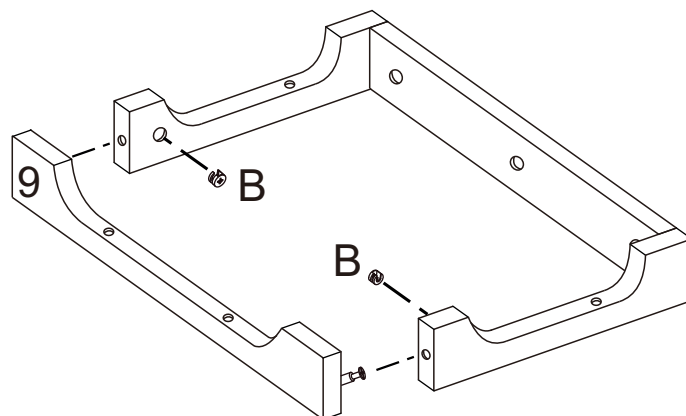
step 2



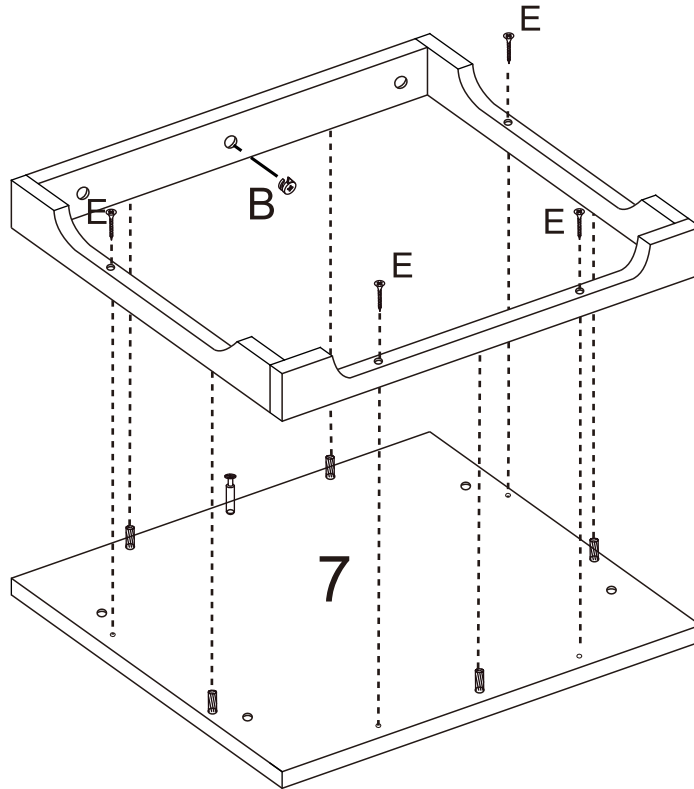
step 3



step 4

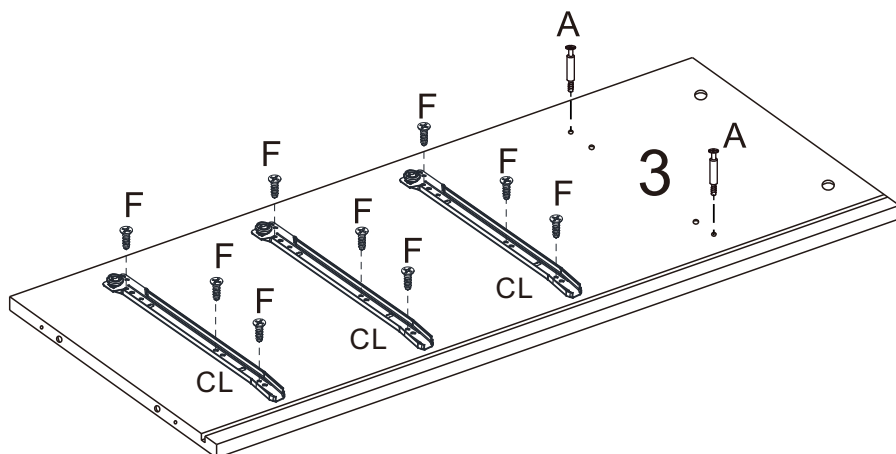


step 5

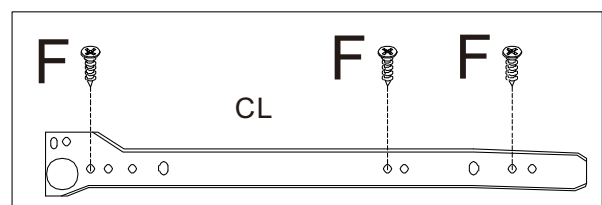


B	
x1	
E	
x4	

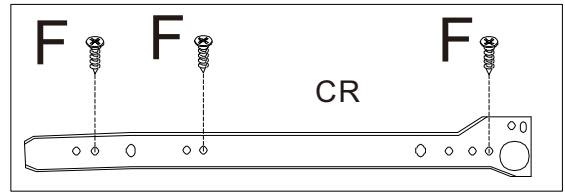
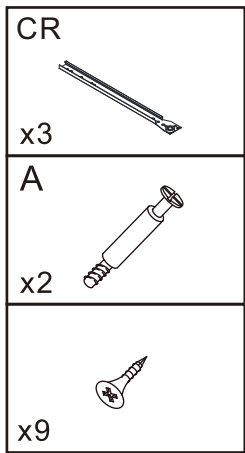
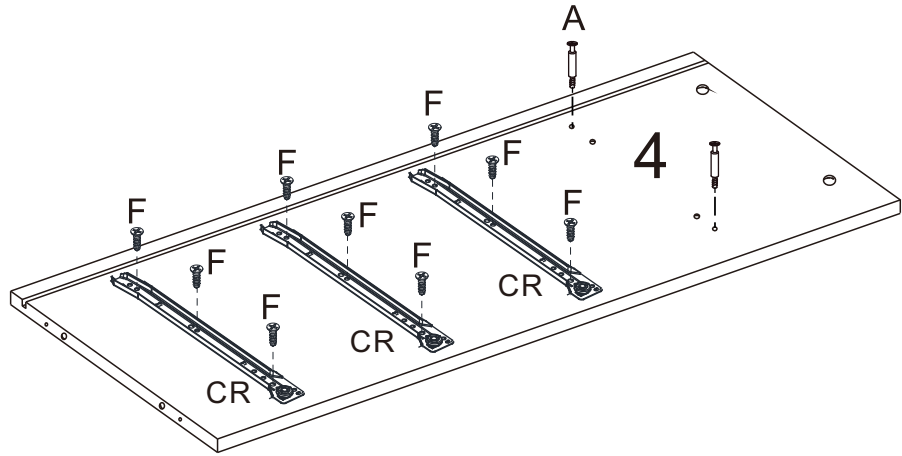
step 6



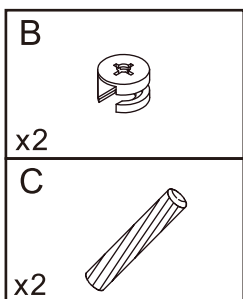
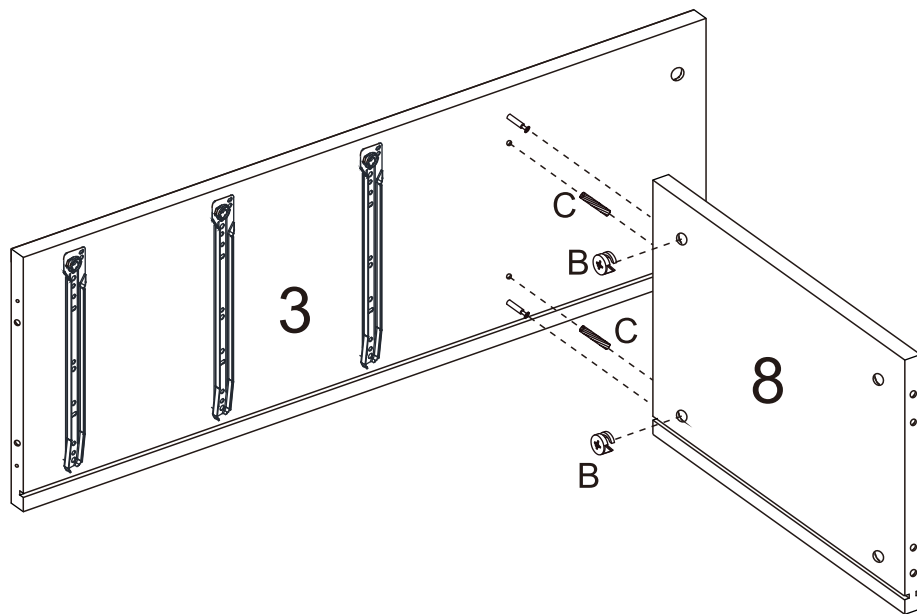
CL	
x3	
A	
x2	
F	
x9	



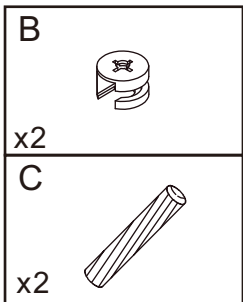
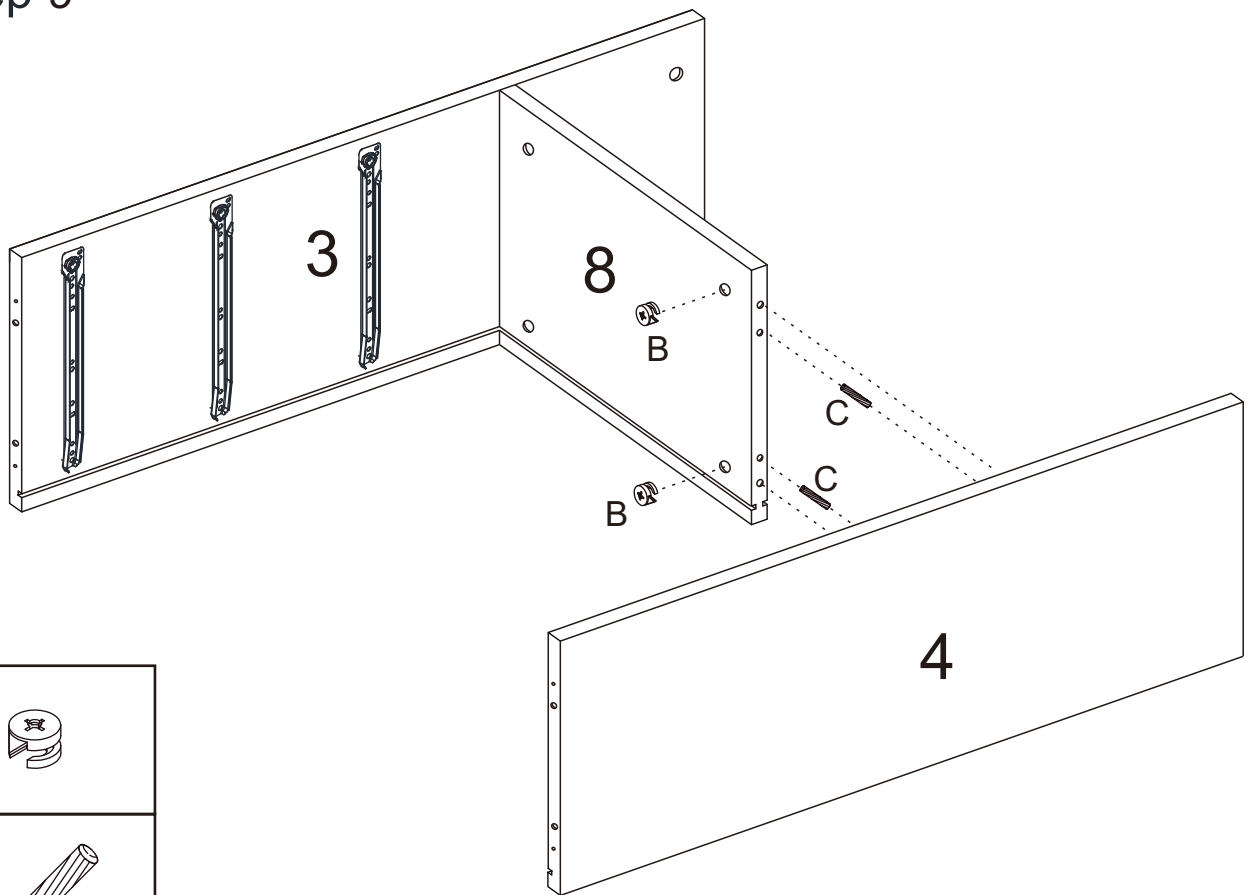
step 7



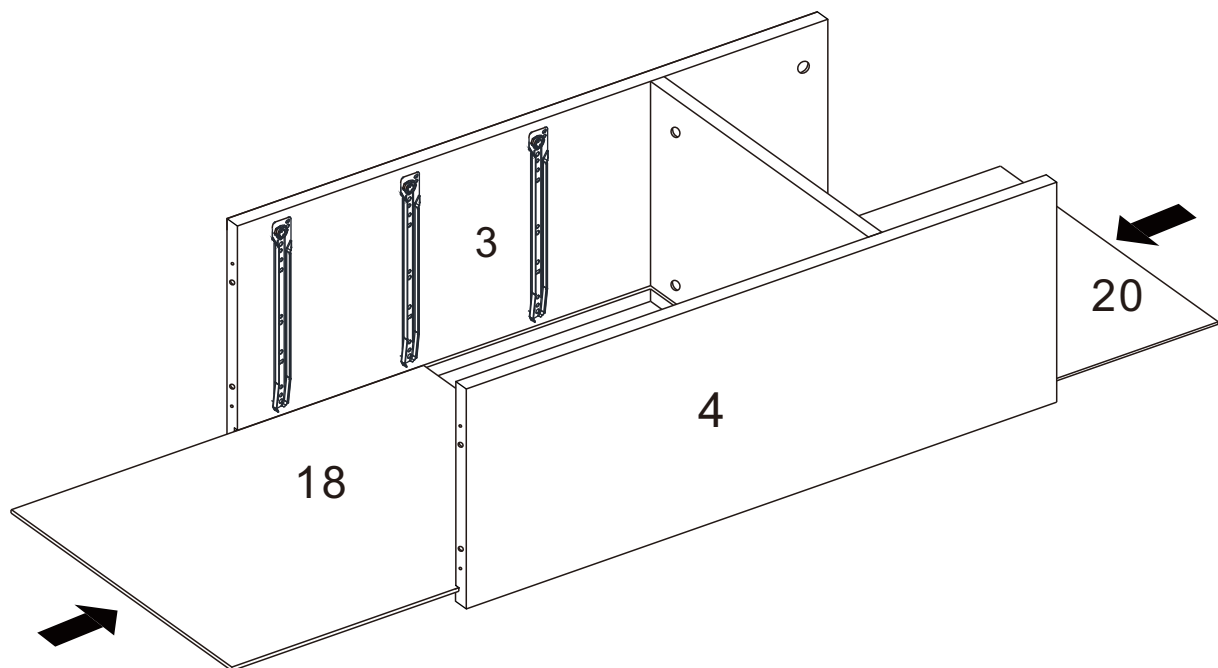
step 8



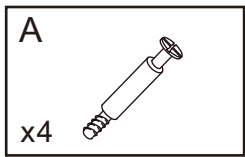
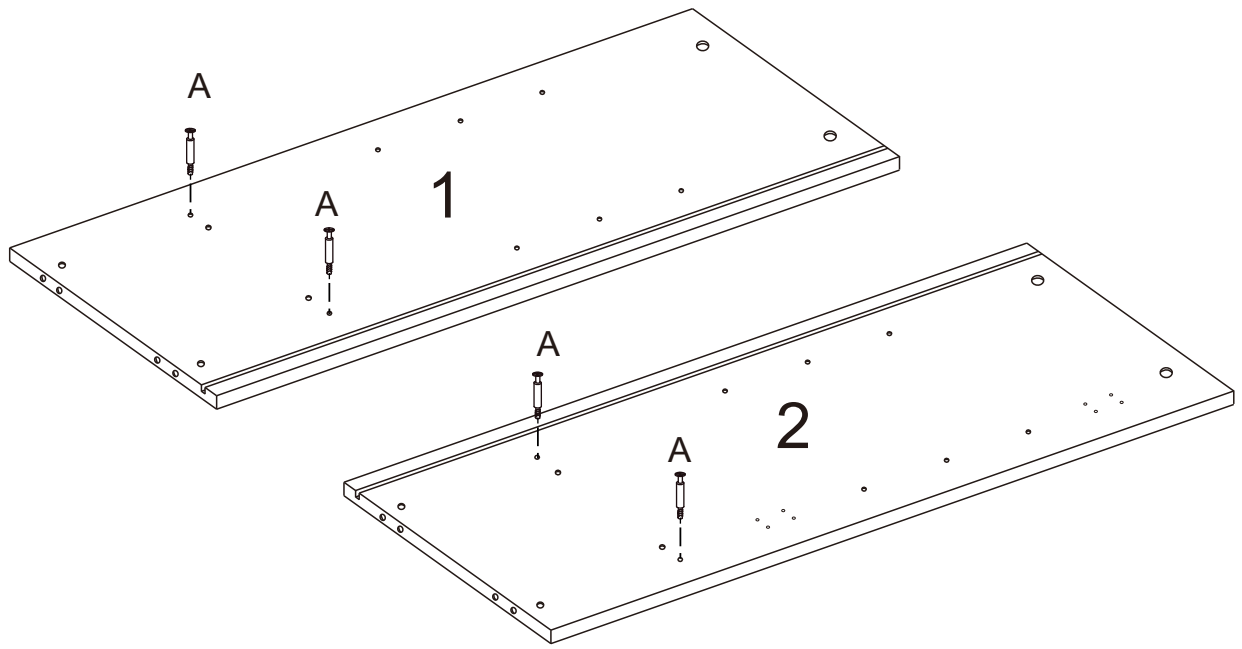
step 9



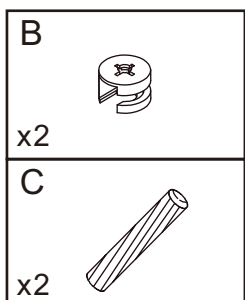
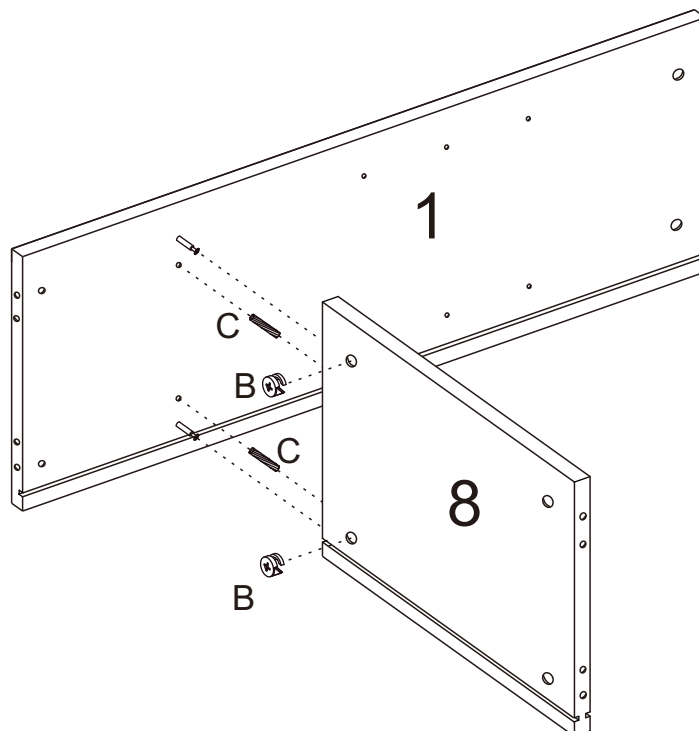
step 10



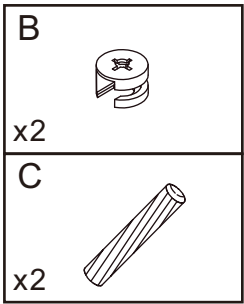
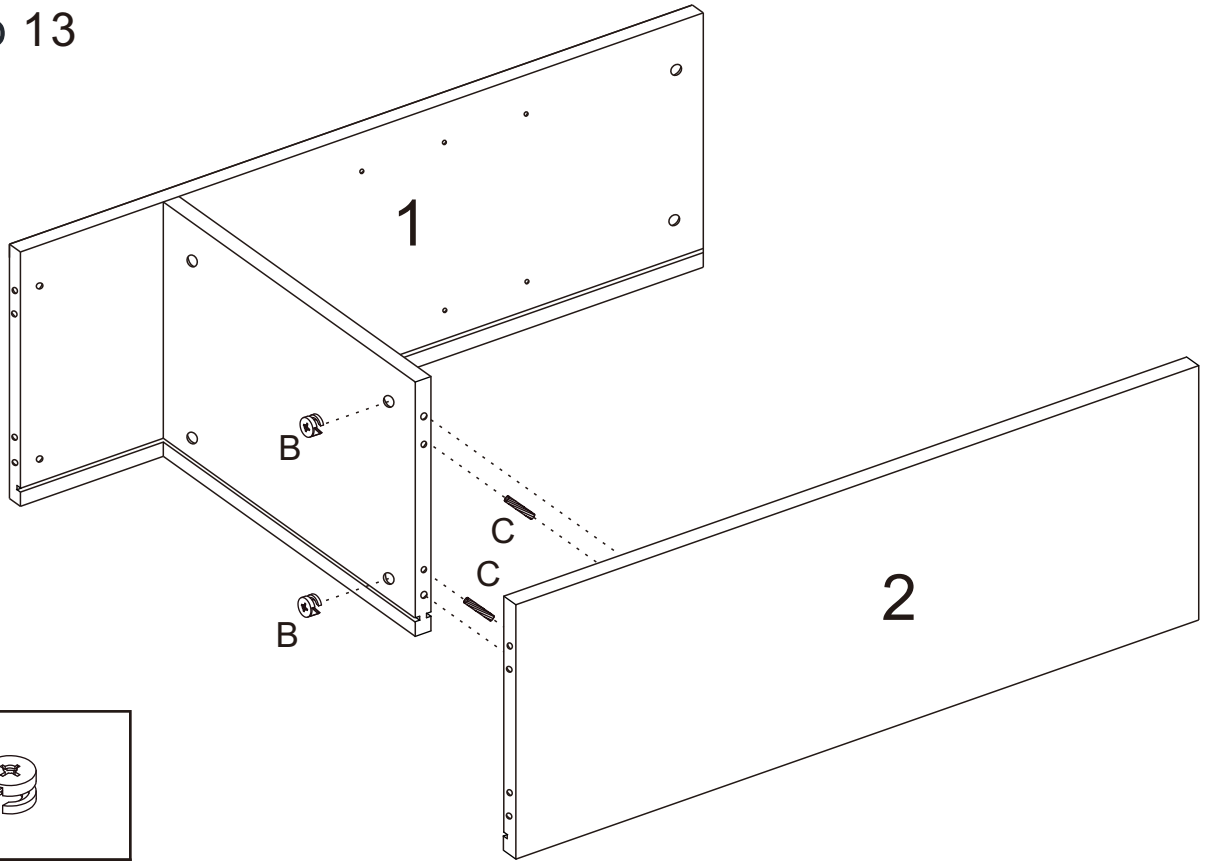
step 11



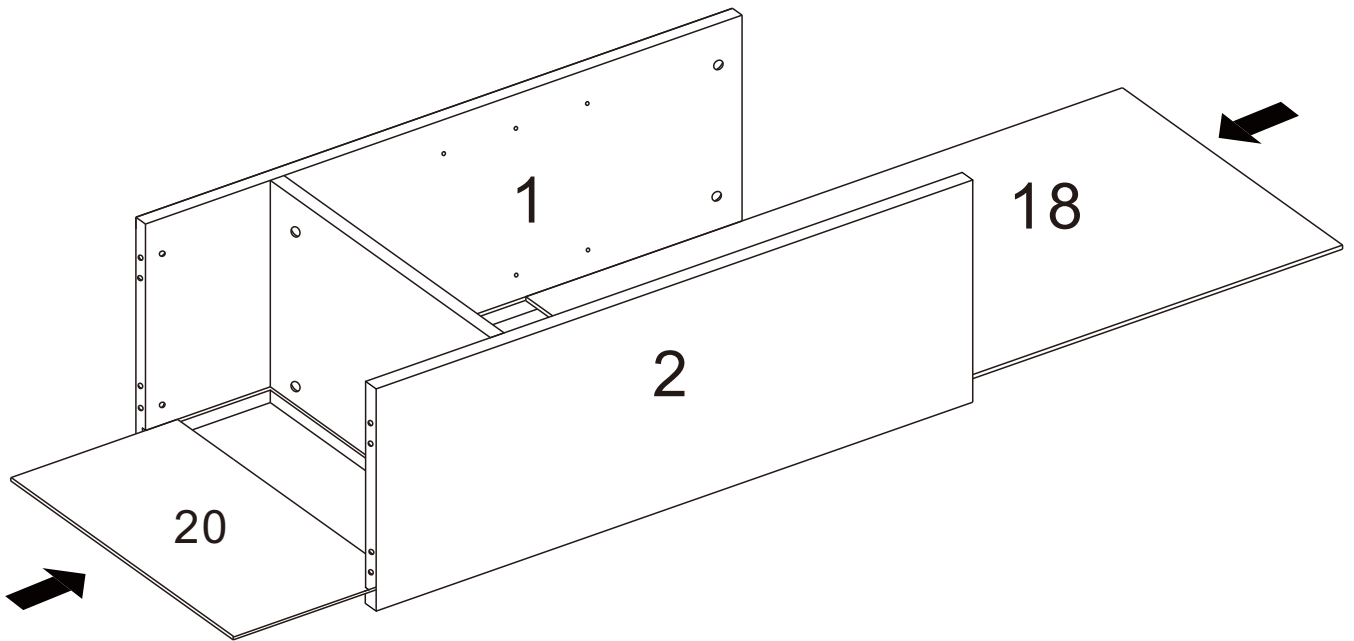
step 12



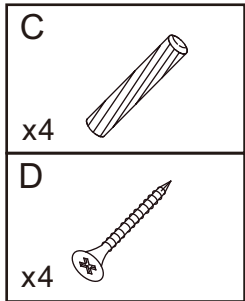
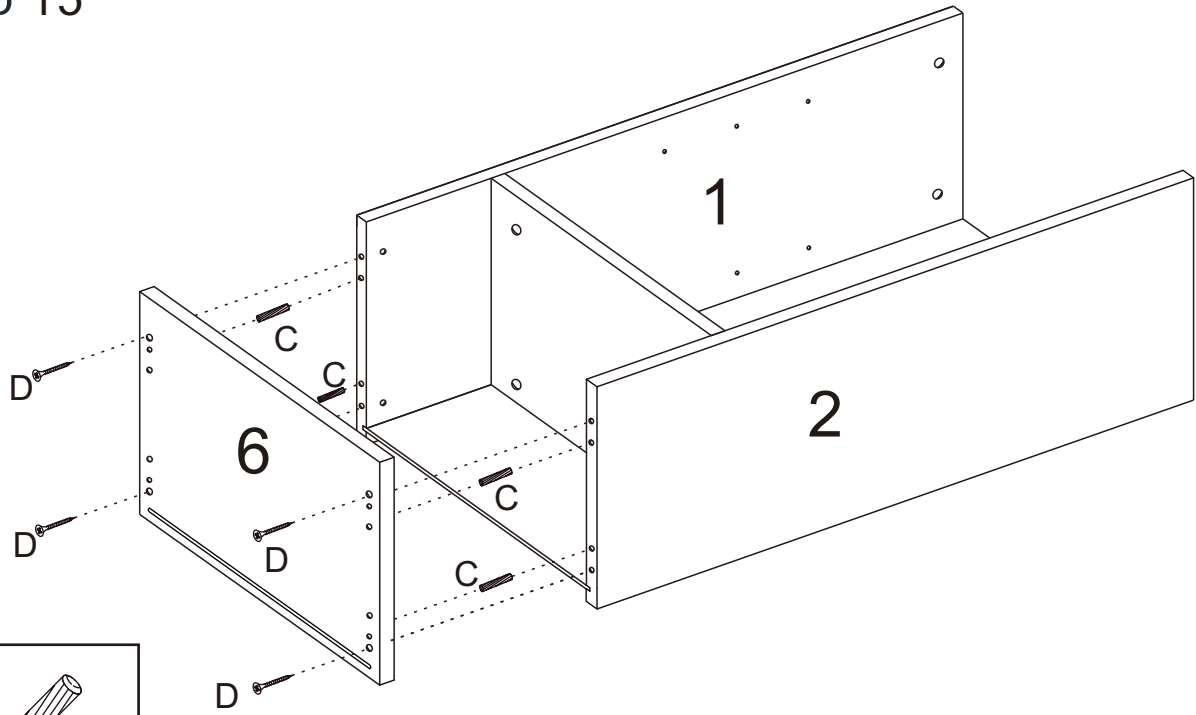
step 13



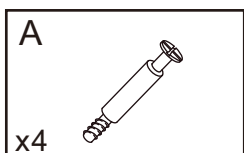
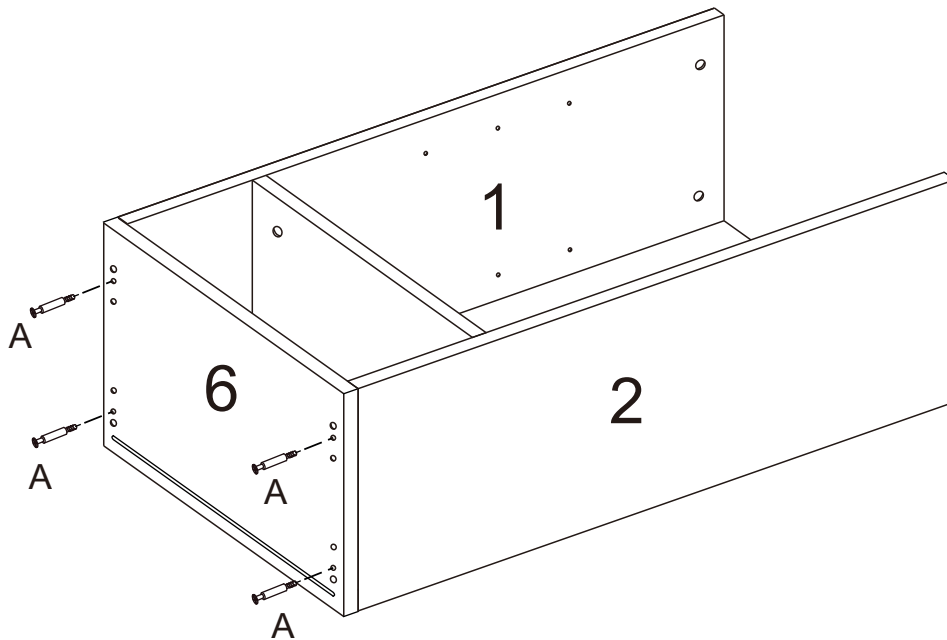
step 14



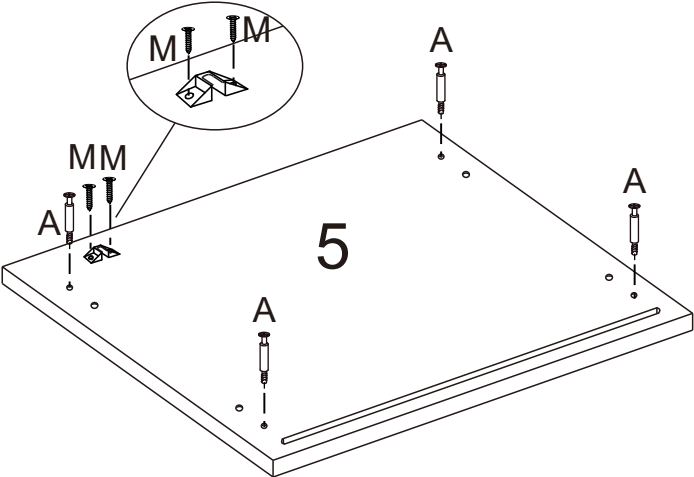
step 15



step 16

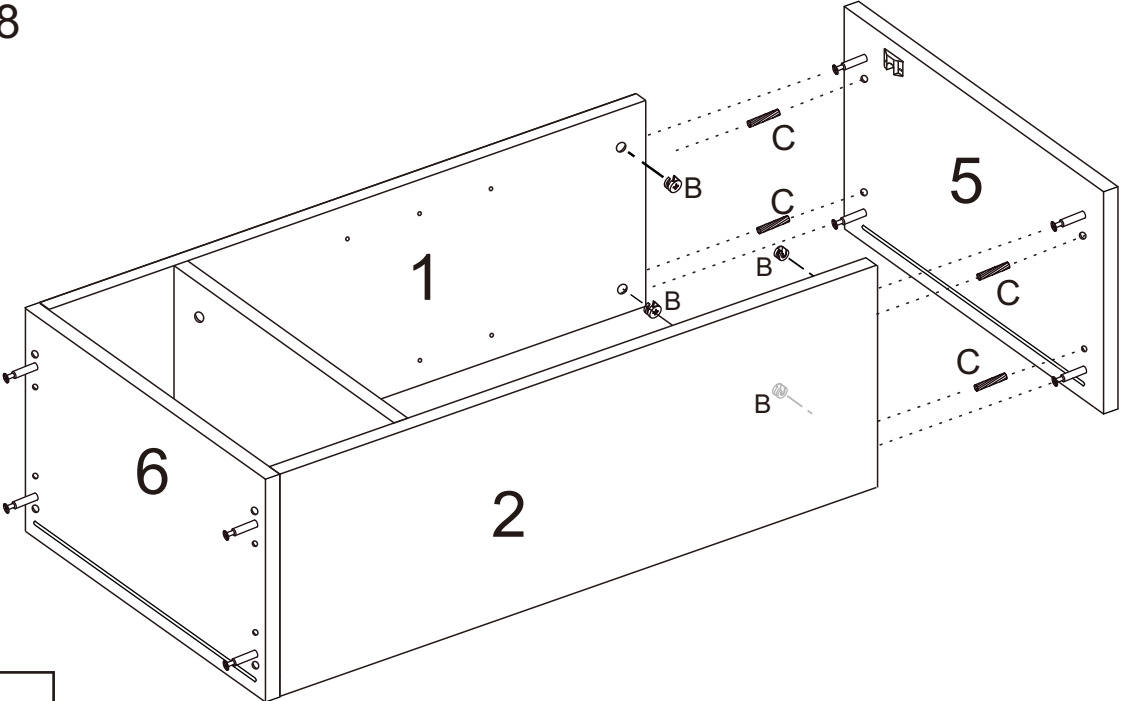


step 17



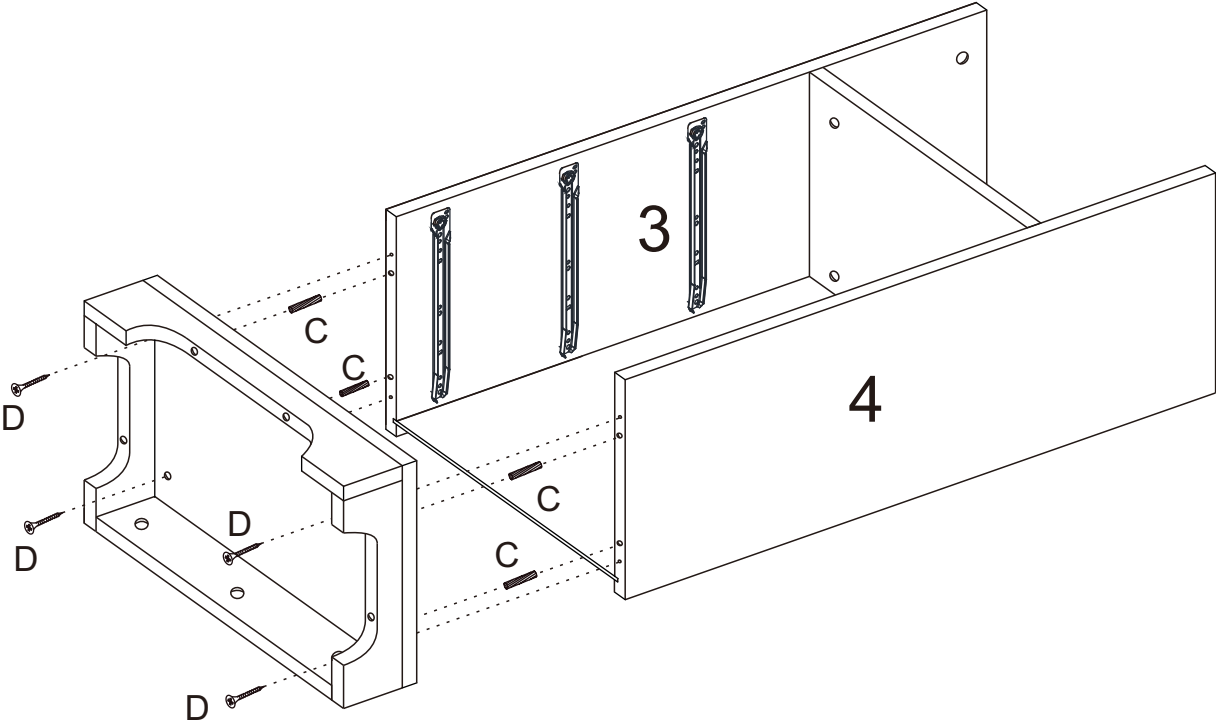
- | | |
|----|--|
| A | |
| x4 | |
| L | |
| x1 | |
| M | |
| x2 | |

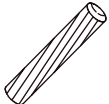

step 18



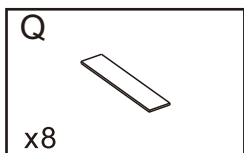
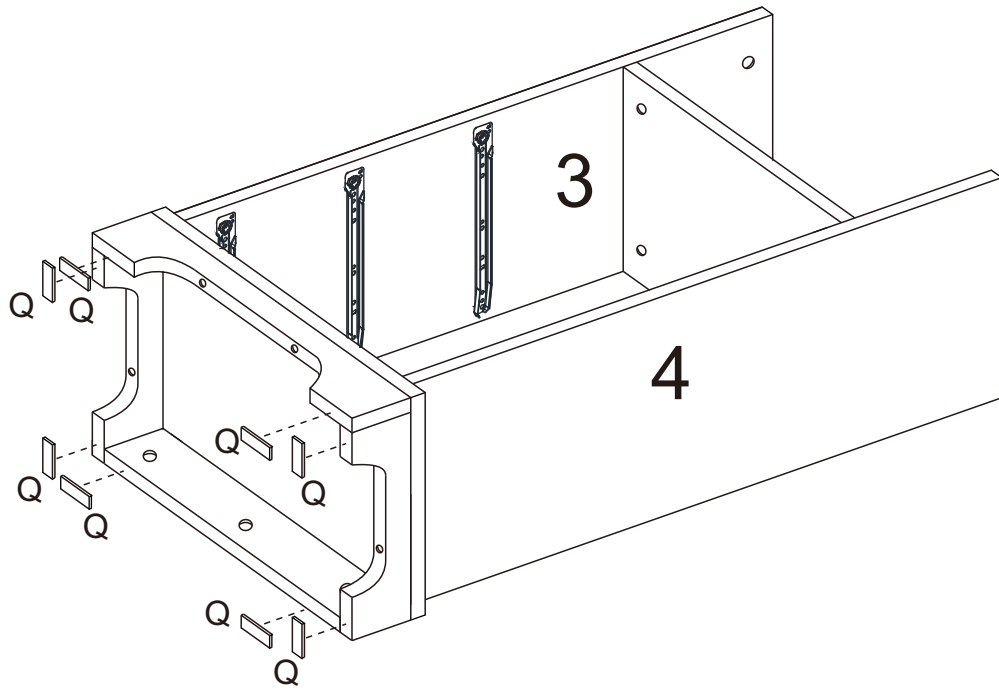
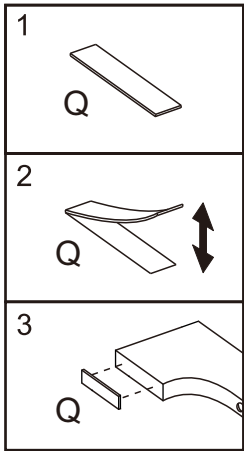
- | | |
|----|--|
| B | |
| x4 | |
| C | |
| x4 | |

step 19

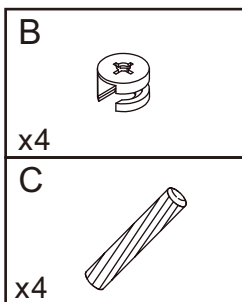
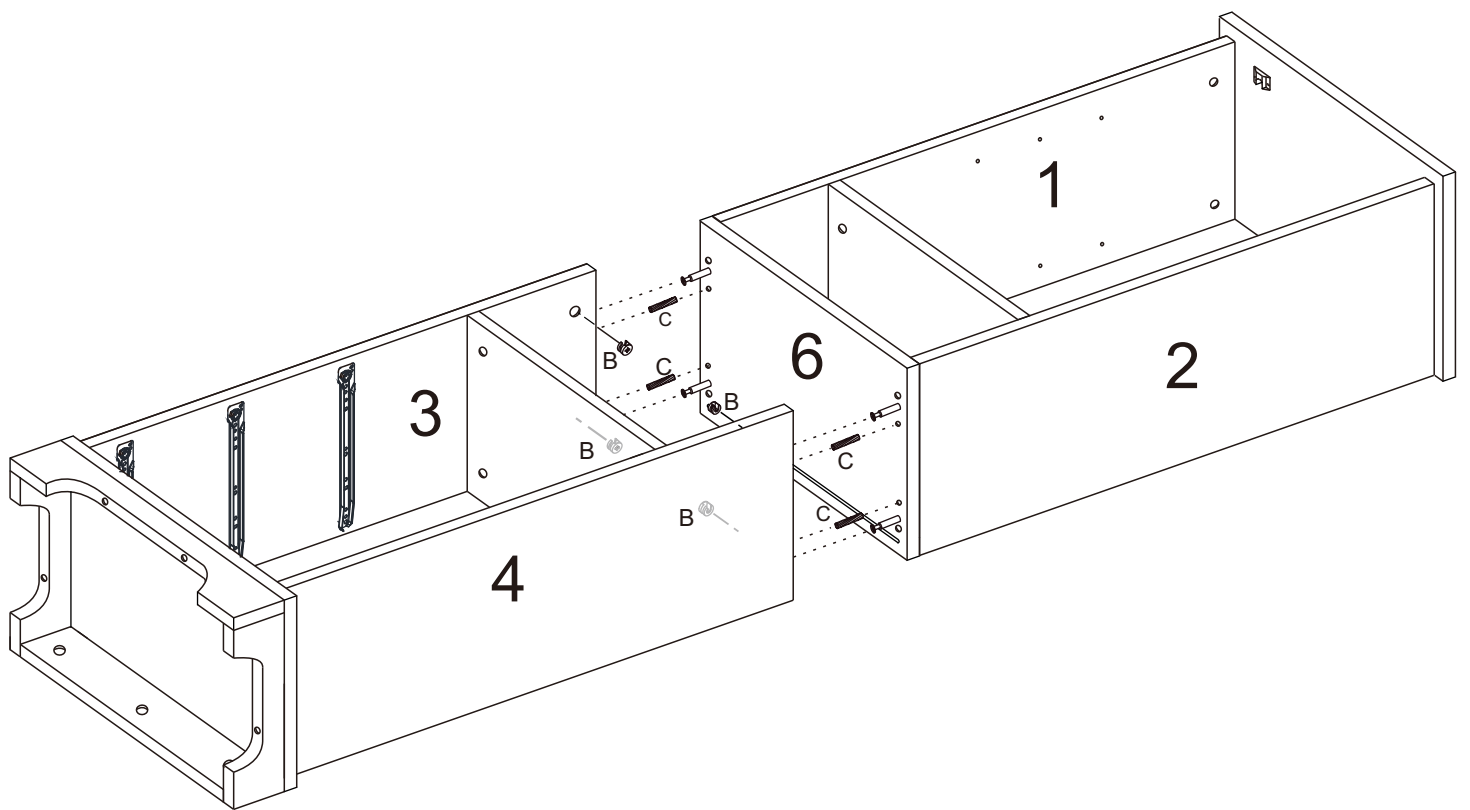


C	
x4	
D	
x4	

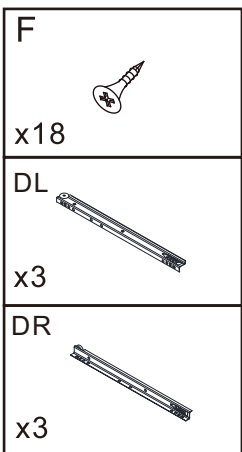
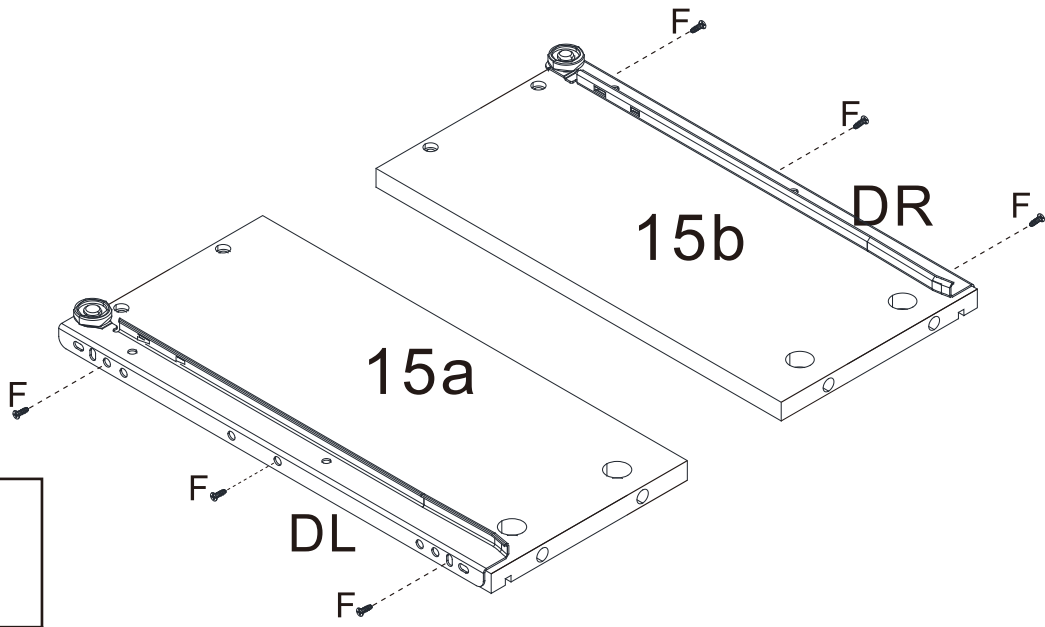
step 20



step 21

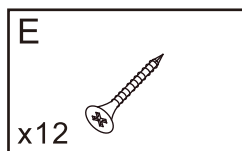
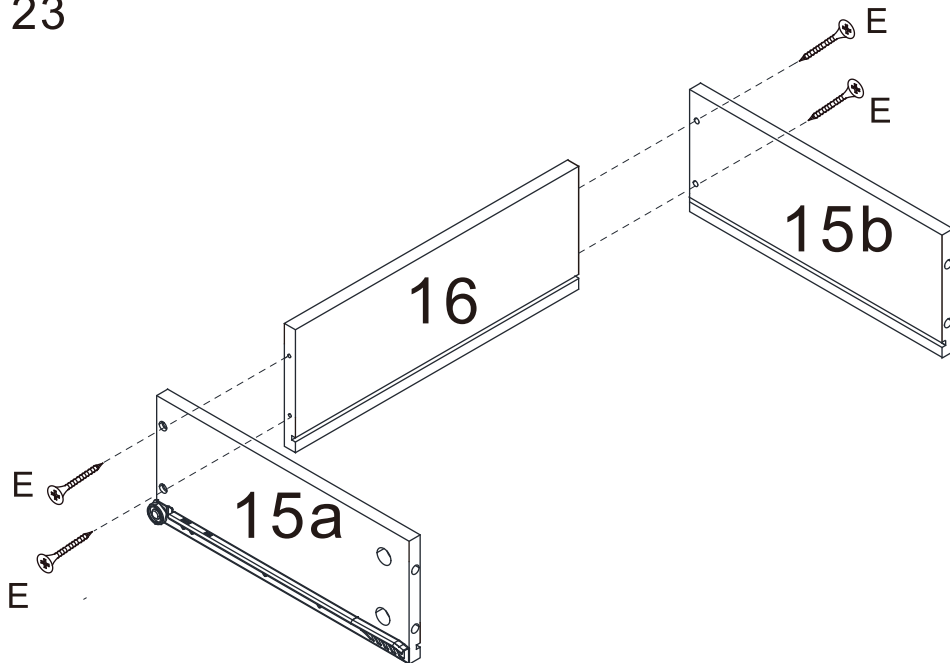


step 22



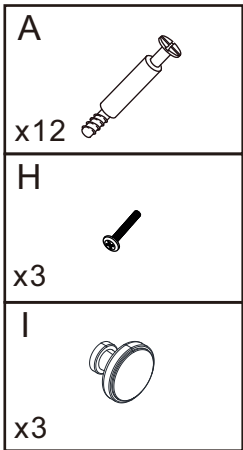
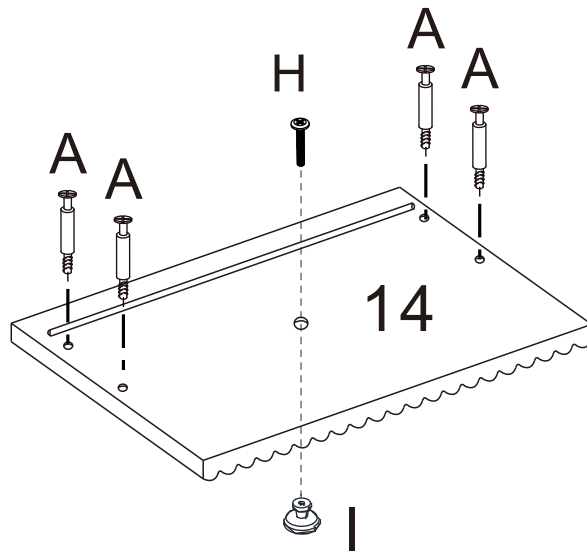
X3

step 23



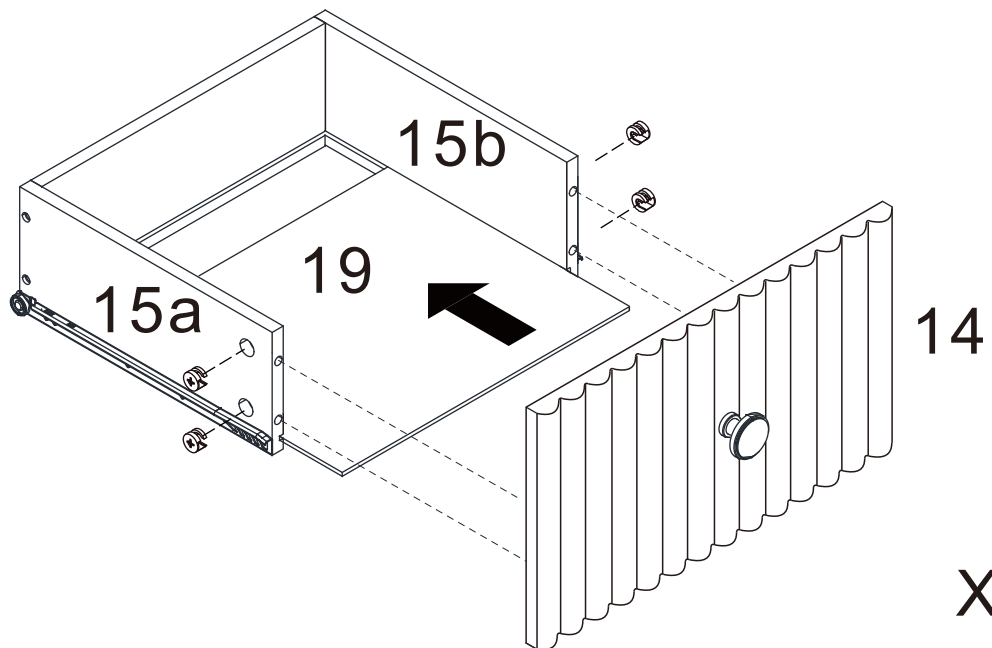
X3

step 24



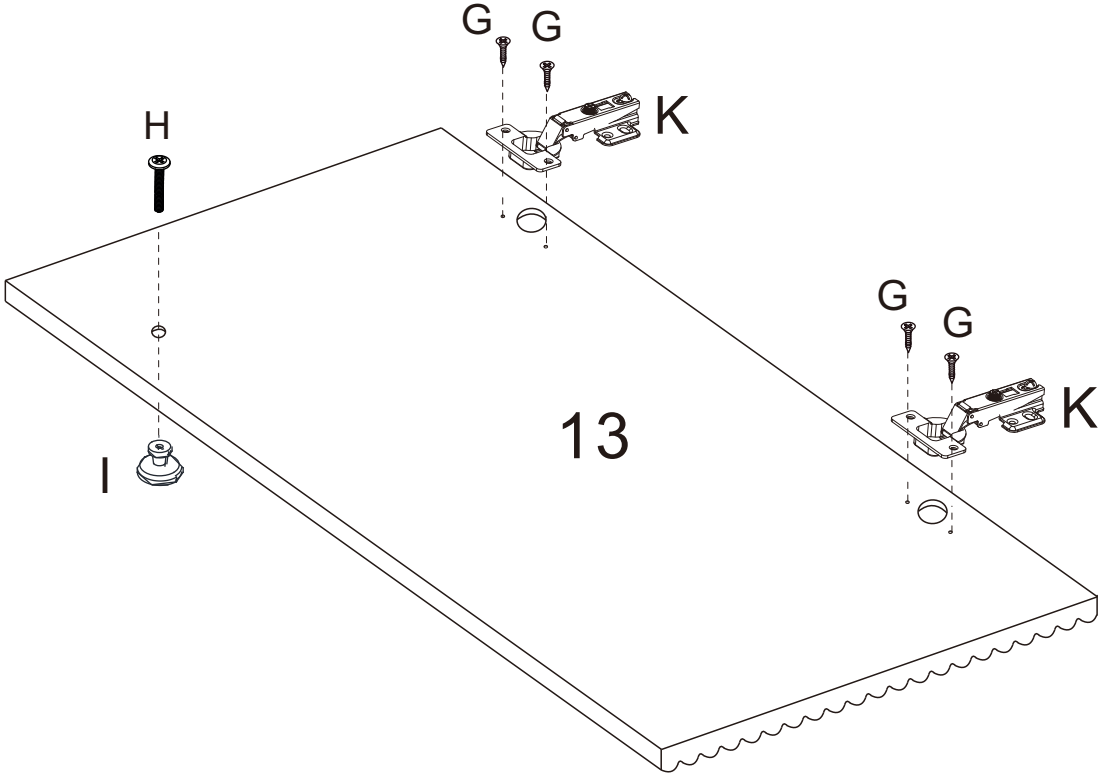
X3





step 25



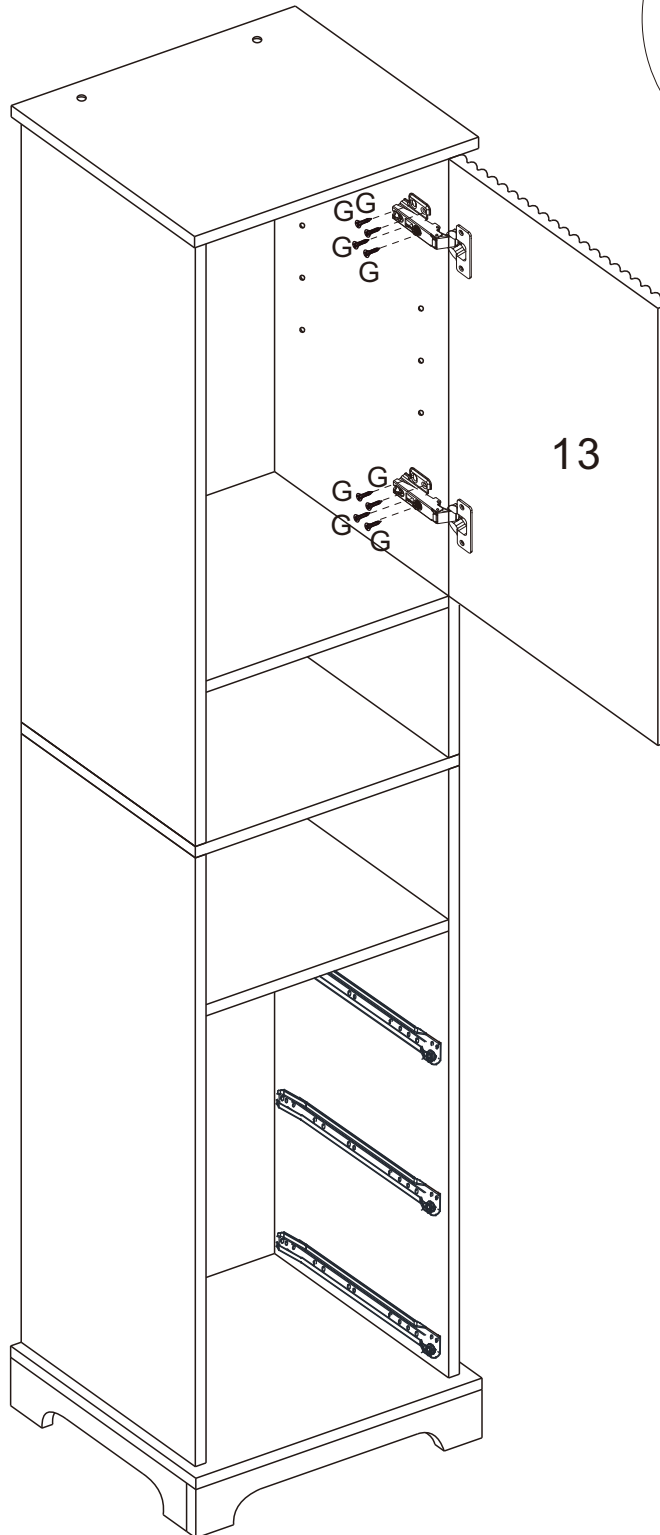
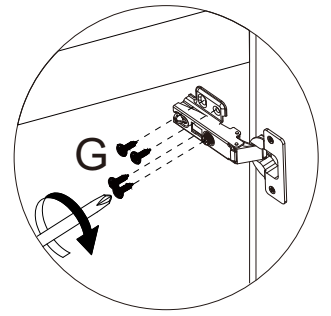
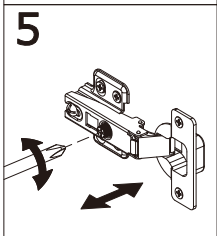
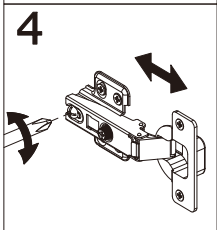
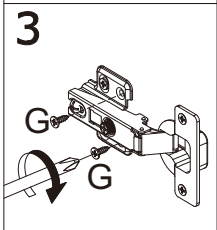
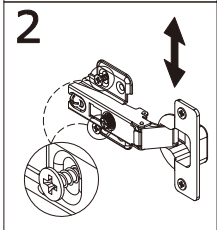
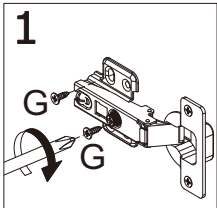
X3

step 26

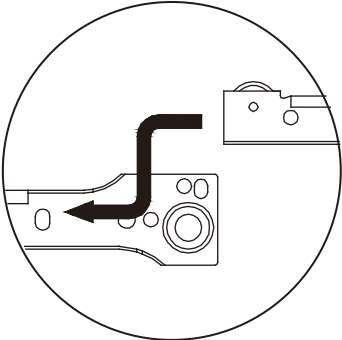
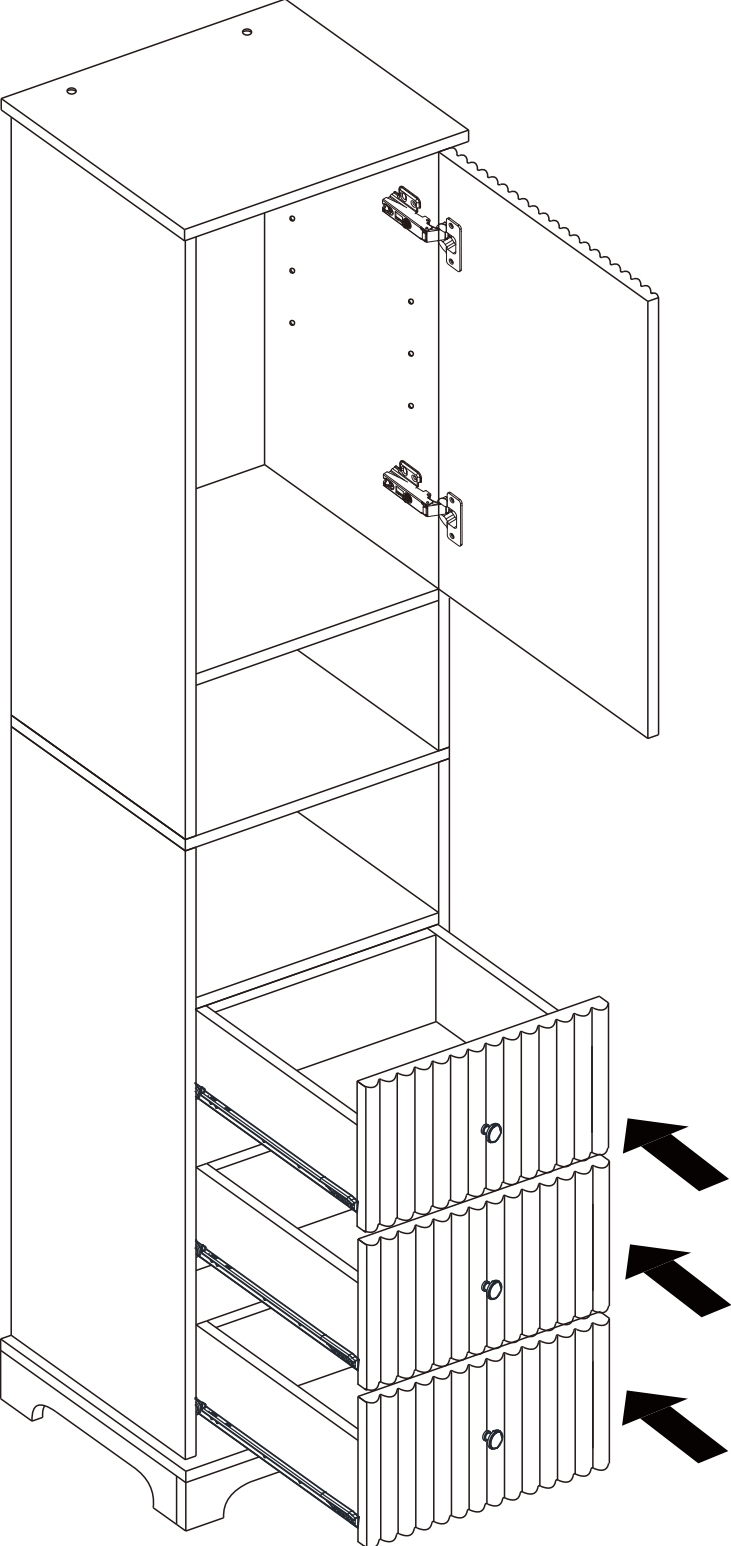


G	
x4	
H	
x1	
I	
x1	
K	
x2	

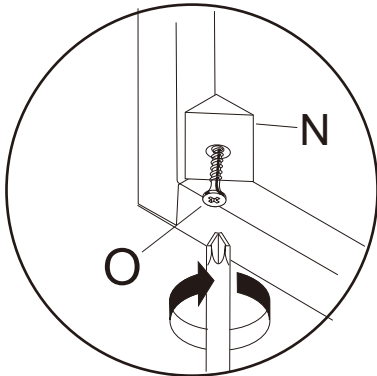
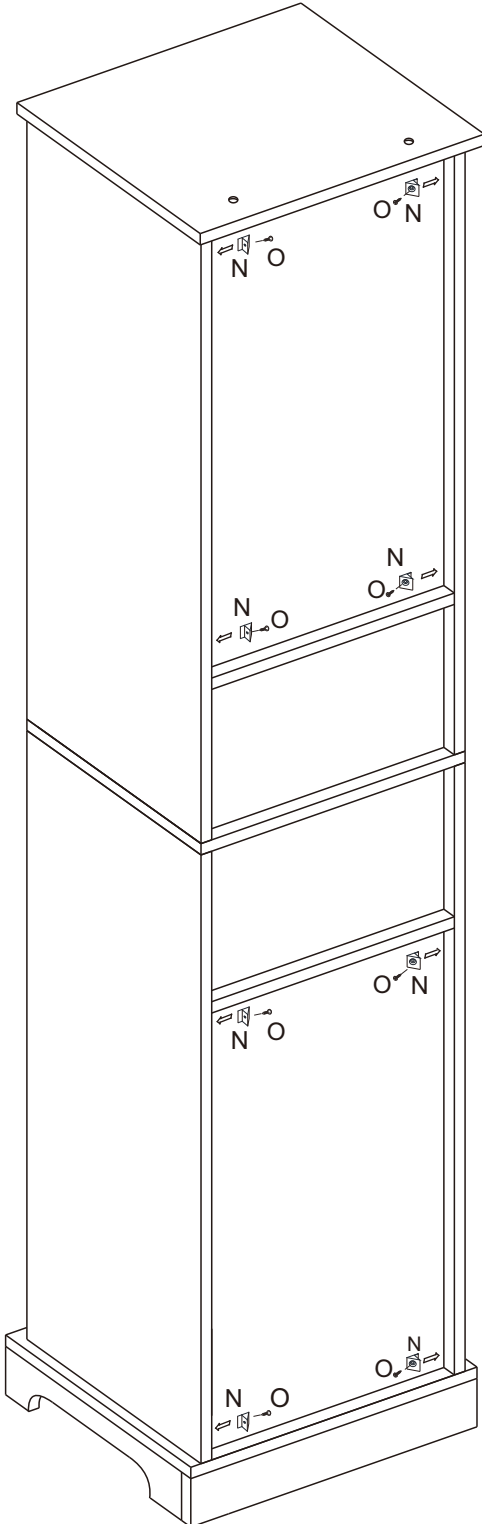
step 27



step 28

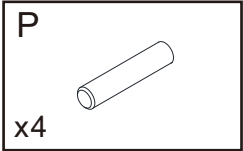
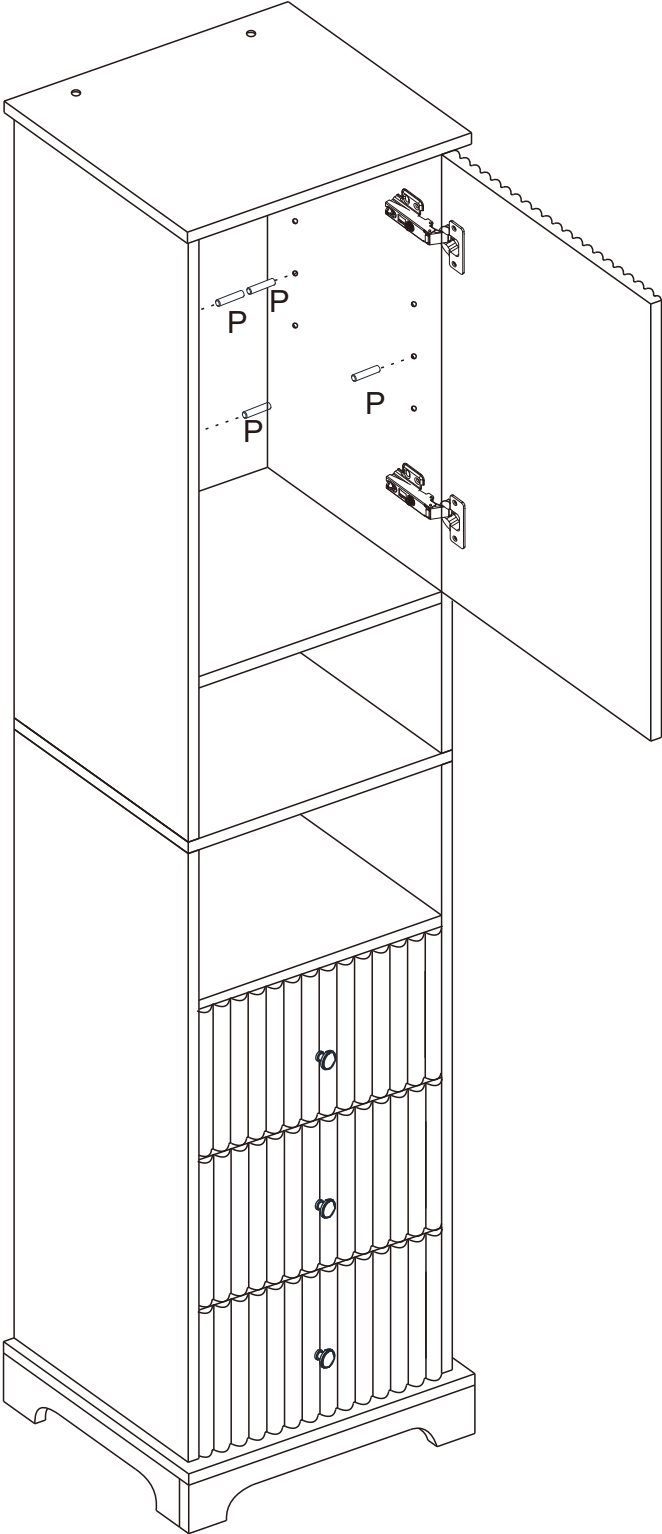


step 29

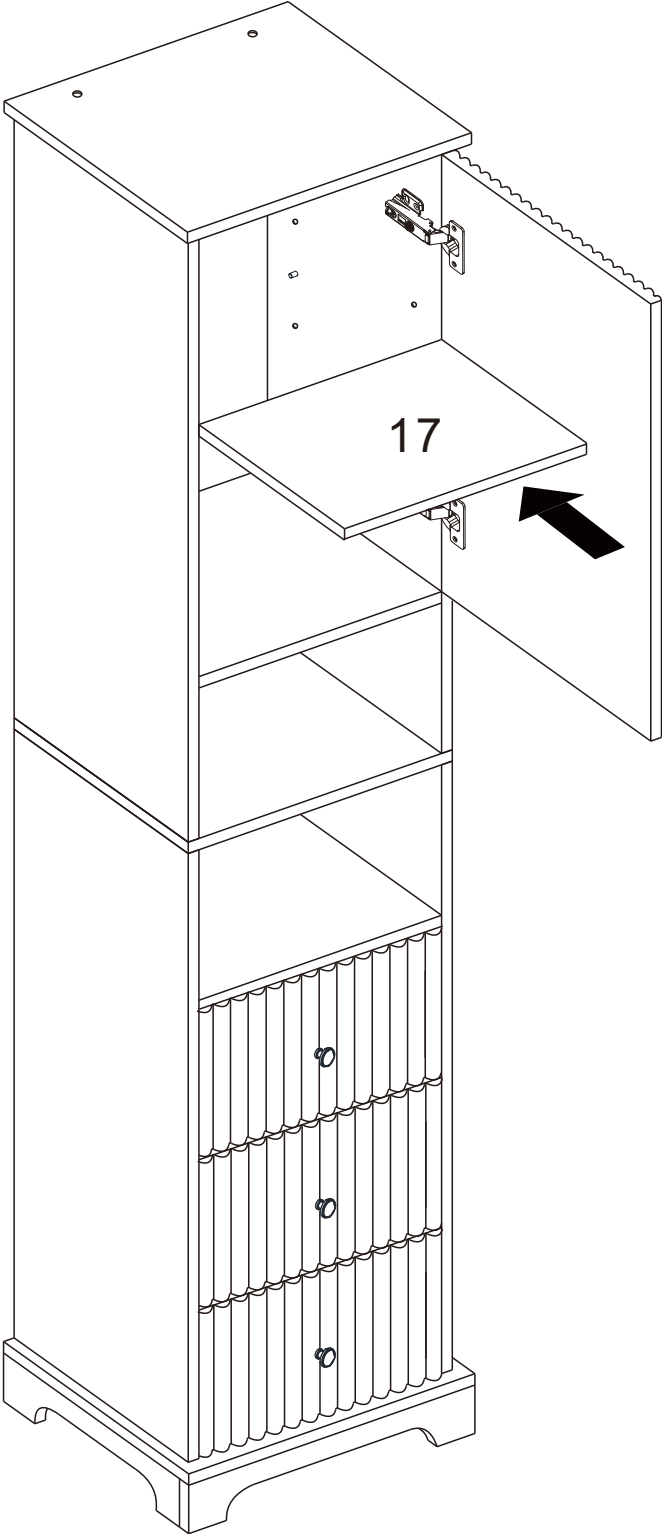


N	
x8	
O	
x8	

step 30



step 31



step 32

